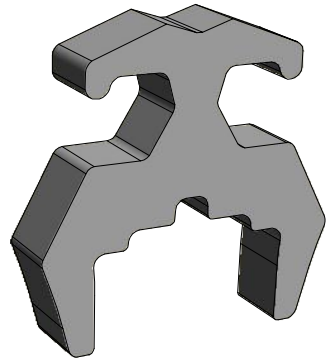
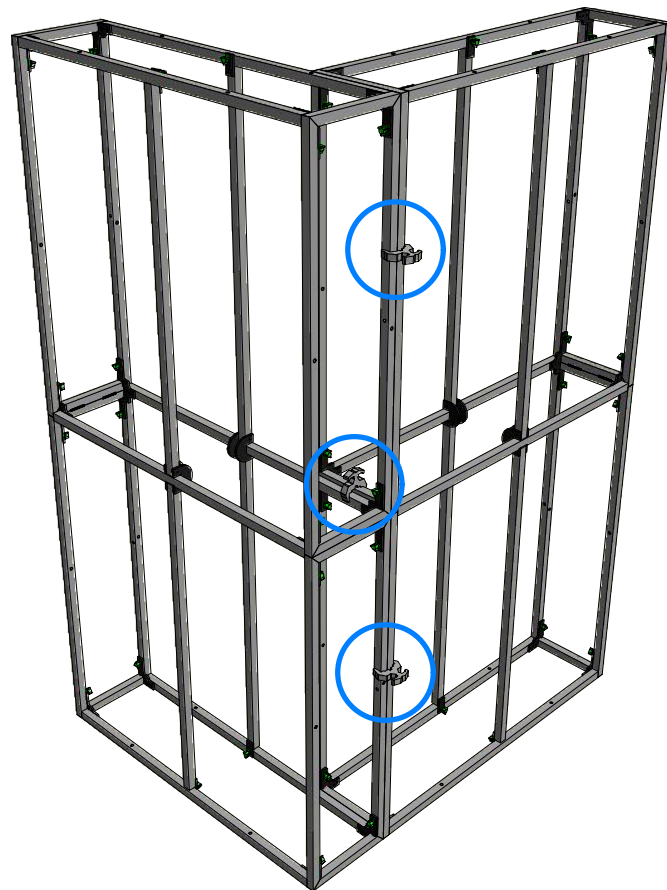


**FRAME CLAMP INSTRUCTION
MQ-CLMP**

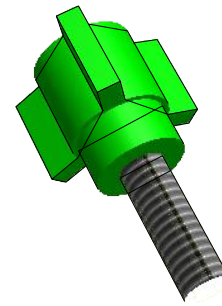
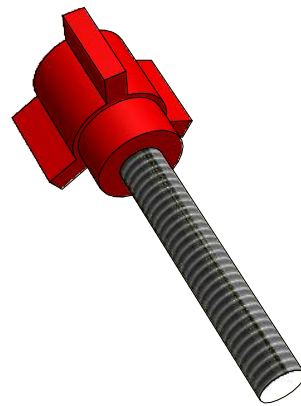
(NOT REQUIRED IN EVERY CONFIGURATION)



THE MQ-CLMP IS A FRICTION-FIT CONNECTOR / ALIGNMENT TOOL THAT DOES NOT REQUIRE TOOLS. THEY ARE TO BE USED IN ABNORMAL MULTIQUAD FRAME CONFIGURATIONS OR AS ADDITIONAL FRAME SECURITY IN SPECIAL SITUATIONS



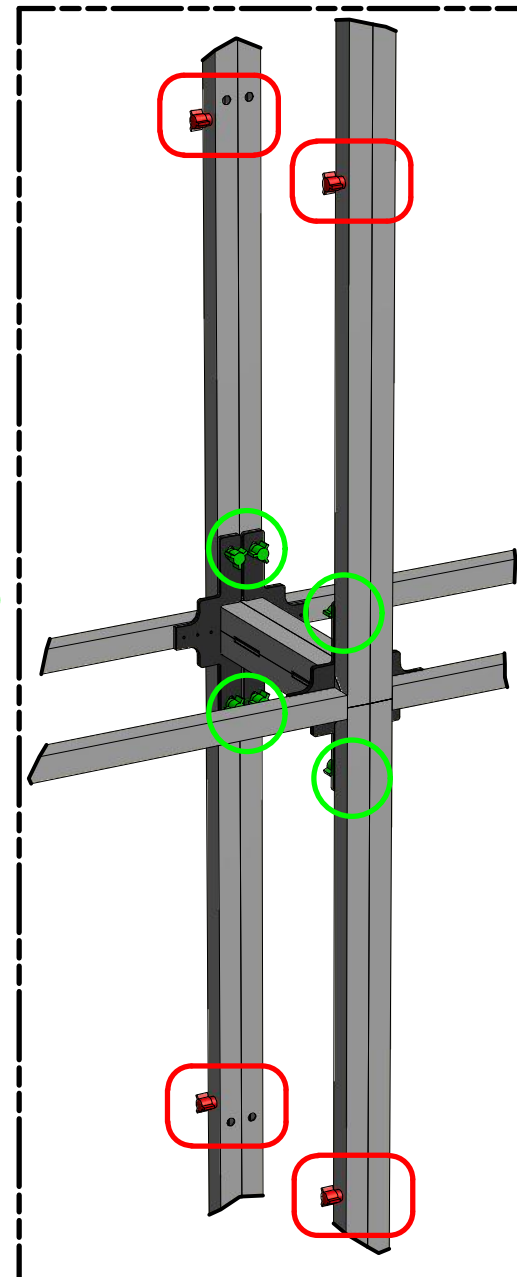
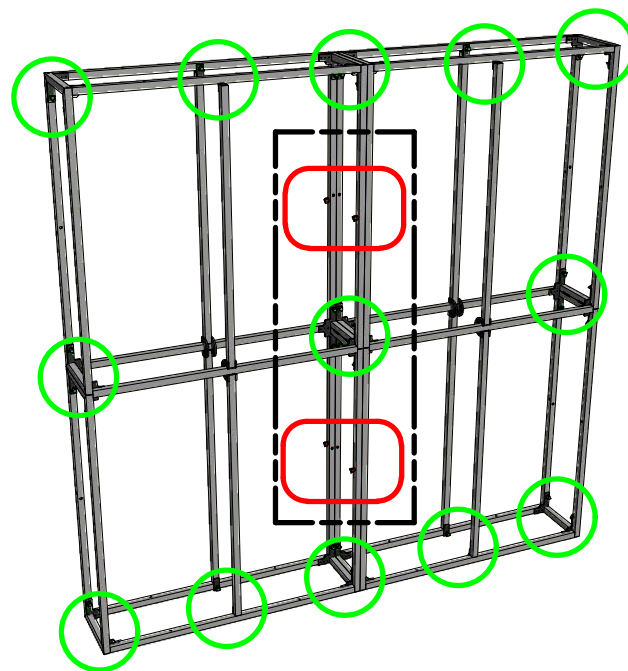
**THUMB SCREW INSTRUCTION
MQ-TSR2 / MQ-TSG1**



THE 2" RED THUMB SCREW IS USED TO CONNECT MULTIQUAD FRAMES TO OTHER MULTIQUAD FRAMES. EACH FRAME HAS RIVET NUT ON ONE SIDE AND A HOLE ON THE OTHER TO ALLOW FRAME TO FRAME CONNECTION

THE 1" GREEN THUMB SCREWS ARE USED WHEN ASSEMBLING 1x4 AND 2x4 FRAMES. SEE APPENDIX PAGES

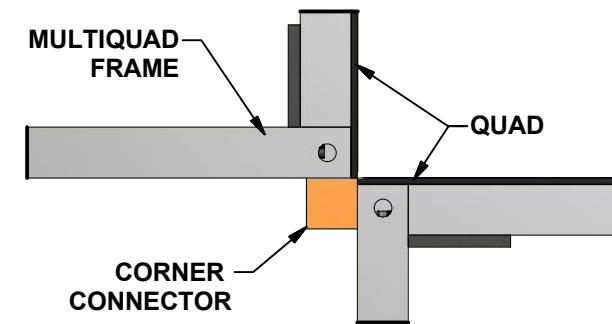
DUE TO THE RIVET NUTS, ALL FRAMES HAVE A LEFT AND RIGHT SIDE. VERIFY FRAME ORIENTATION TO ALLOW FRAME TO FRAME CONNECTION



**CORNER CONNECTOR INSTRUCTION
MQ-BTW**

(NOT REQUIRED IN EVERY CONFIGURATION)

THE MQ-BTW CORNER ALIGNMENT TOOL IS DESIGNED TO AID IN THE ALIGNMENT OF FRAMES AS NEEDED IN SOME MULTIQUAD CONFIGURATIONS.



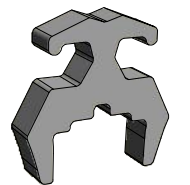
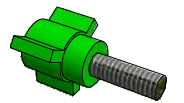
AFTER TWO MULTIQUAD FRAMES ARE SET "CORNER-TO-CORNER" THE MQ-BTW SIMPLY ATTACHES TO THE EXISTING MAGNETS ON THE FRAME



Expo Displays

3401 Mary Taylor Road
Birmingham, Alabama 35235
(205) 439-8200

Drawn By: AKHIII



**ASSEMBLY
INSTRUCTIONS**

CONNECTORS & ALIGNMENT TOOLS

APPENDIX A