



**Expo Displays**

3401 Mary Taylor Road  
Birmingham, Alabama 35235  
(205) 439-8200

**Job # R&D**

**Date: 2/21/2017**

**Drawn By: CRS**

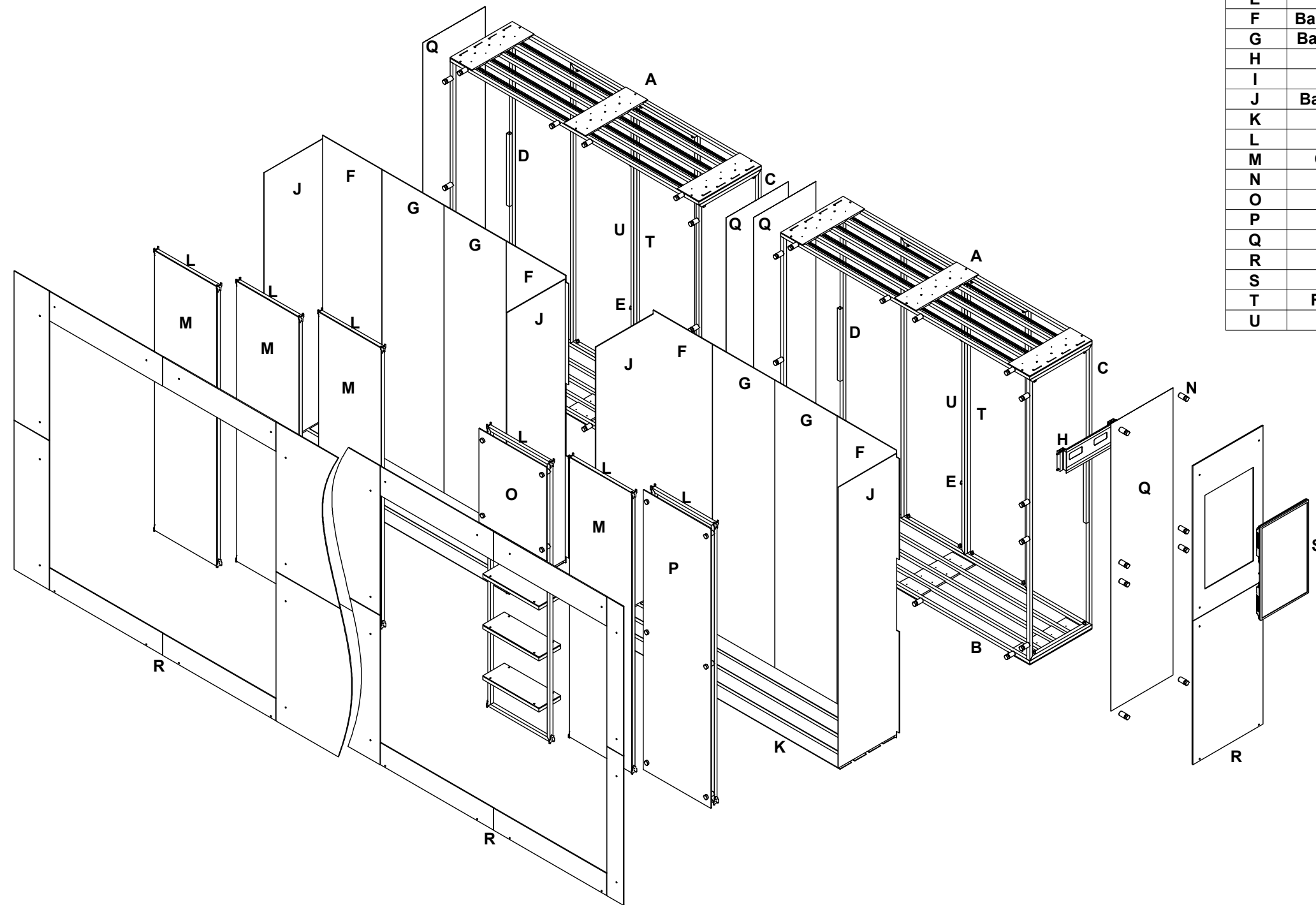
Project Title

Exhibitor - Level

Sheet Title

Exhibitor Assembly Instructions





Inventory	
A	Top Horizontal Frame
B	Bottom Horizontal Frame
C	Right Vertical Frame
D	Left Vertical Frame
E	Red Thumbscrew
F	Backwall Graphic - Outer
G	Backwall Graphic - Inner
H	Monitor Mount
I	Hafele Bolt
J	Backwall Graphic - Side
K	Floor Graphic
L	GraphiGlide Frame
M	GraphGlide Graphic
N	Standoff
O	Plex Graphic - 1
P	Plex Graphic - 2
Q	Outside Panel
R	Wings
S	Monitor
T	Right Support Frame
U	Left Support Frame



**Expo EXPO Displays**

3401 Mary Taylor Road  
Birmingham, Alabama 35235  
(205) 439-8200

Job # R&D

Date: 2/21/2017

Drawn By: CRS

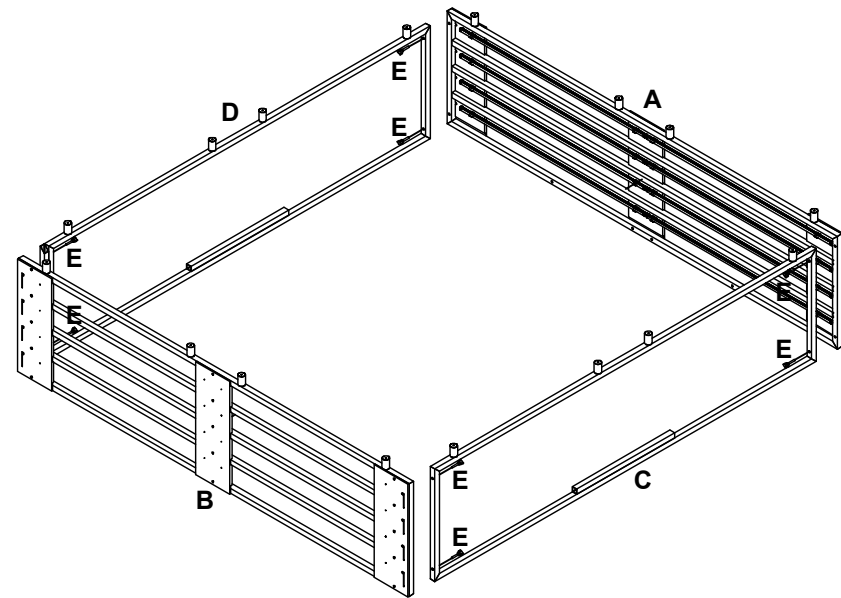
Project Title

Exhibitor - Level

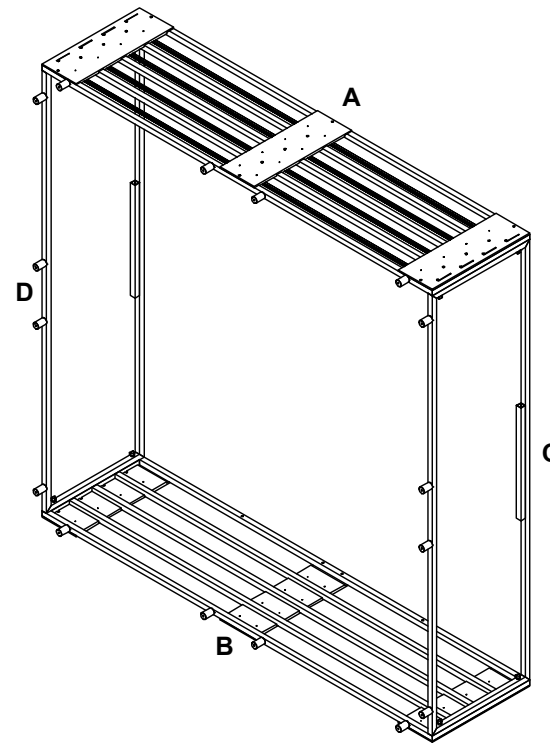
Sheet Title

Exhibitor Assembly Instructions

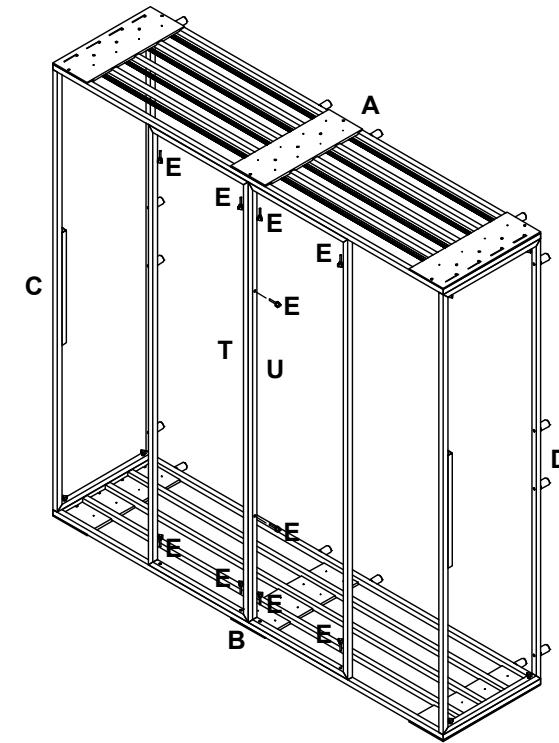




Assemble the main frame by connecting the right and left vertical frames (C and D) to the top and bottom horizontal frames (A and B) by using red thumbscrews (E). This may be easier to accomplish with the frames laying down.



Stand the completed frame upright.



Attach the right and left support frames (T and U) to the top and bottom horizontal frames (A and B) using red thumbscrews (E). Attach the right and left support frames (T and U) to each other using red thumbscrews (E). Repeat this process for your second frame.





**Expo**  **Displays**

3401 Mary Taylor Road  
Birmingham, Alabama 35235  
(205) 439-8200

Job # R&D

Date: 2/21/2017

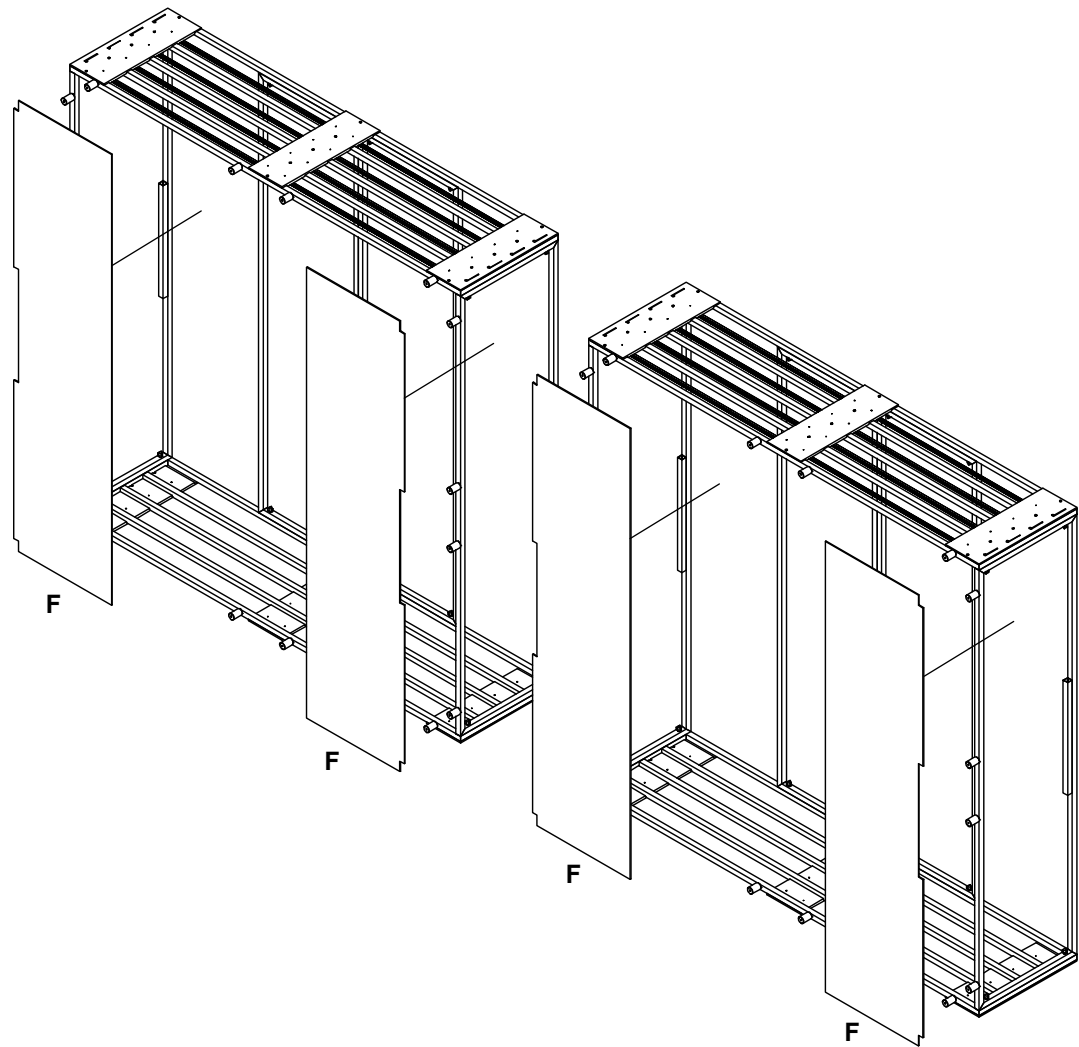
Drawn By: CRS

Project Title

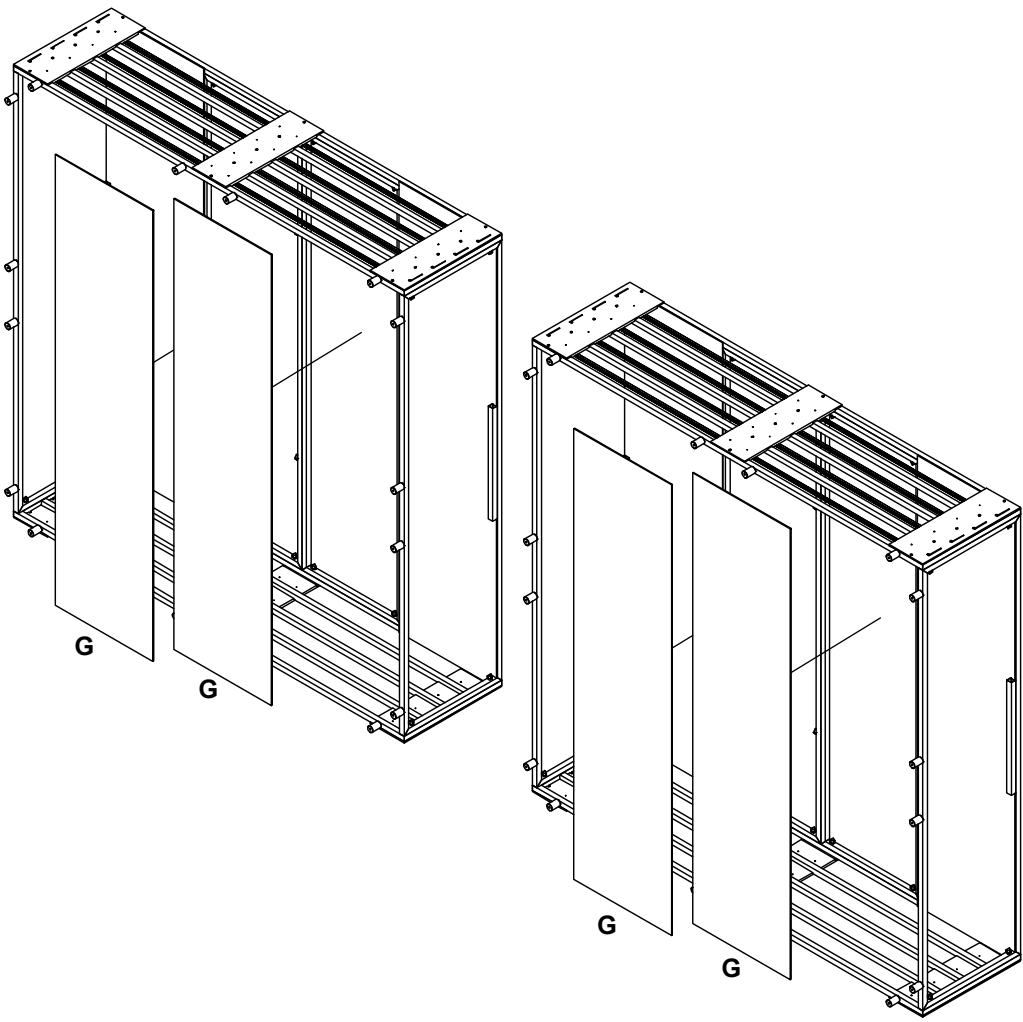
Exhibitor - Level

Sheet Title

Exhibitor Assembly Instructions

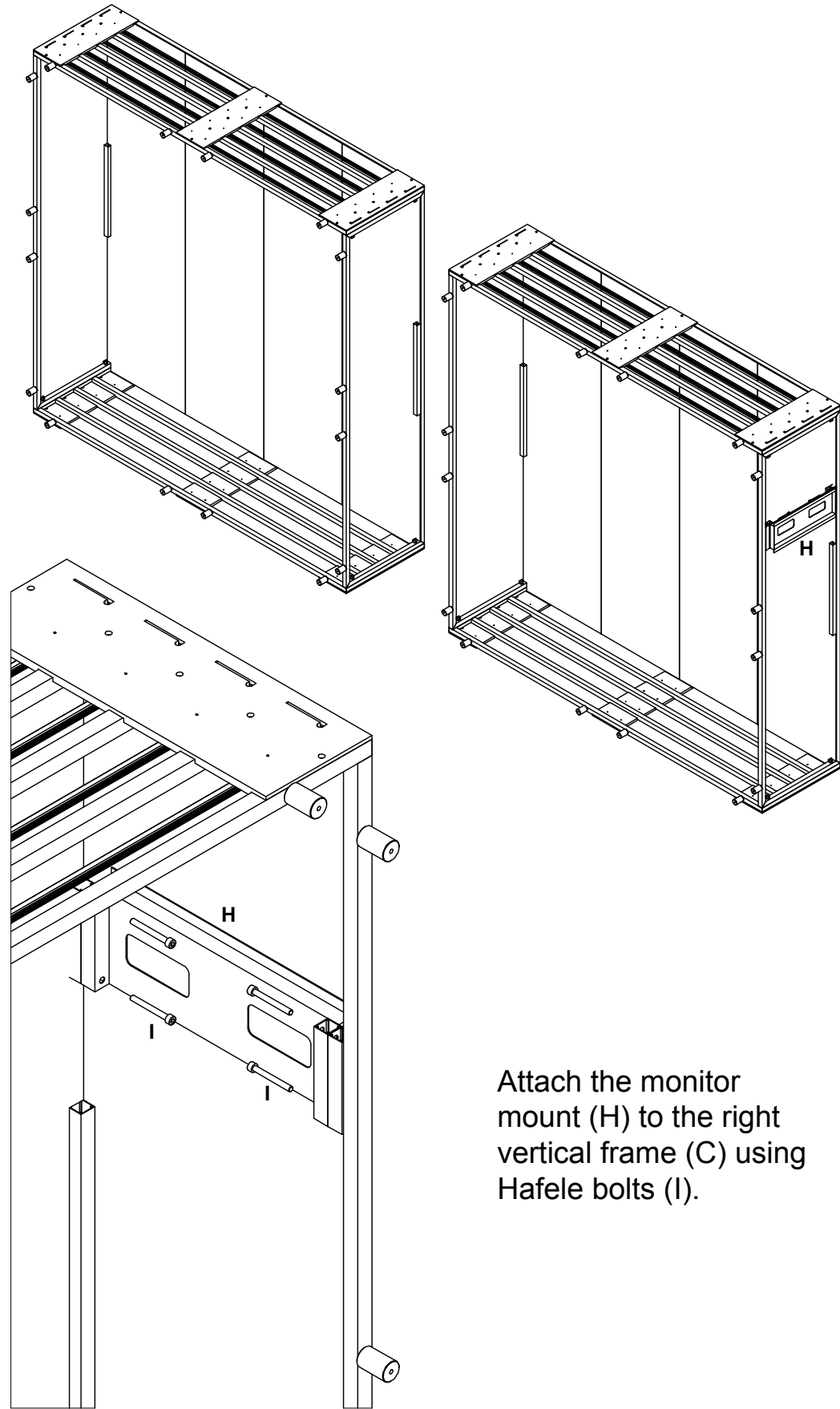


Attach the outer backwall graphics (F) to the far left and far right of the assembled backwall.

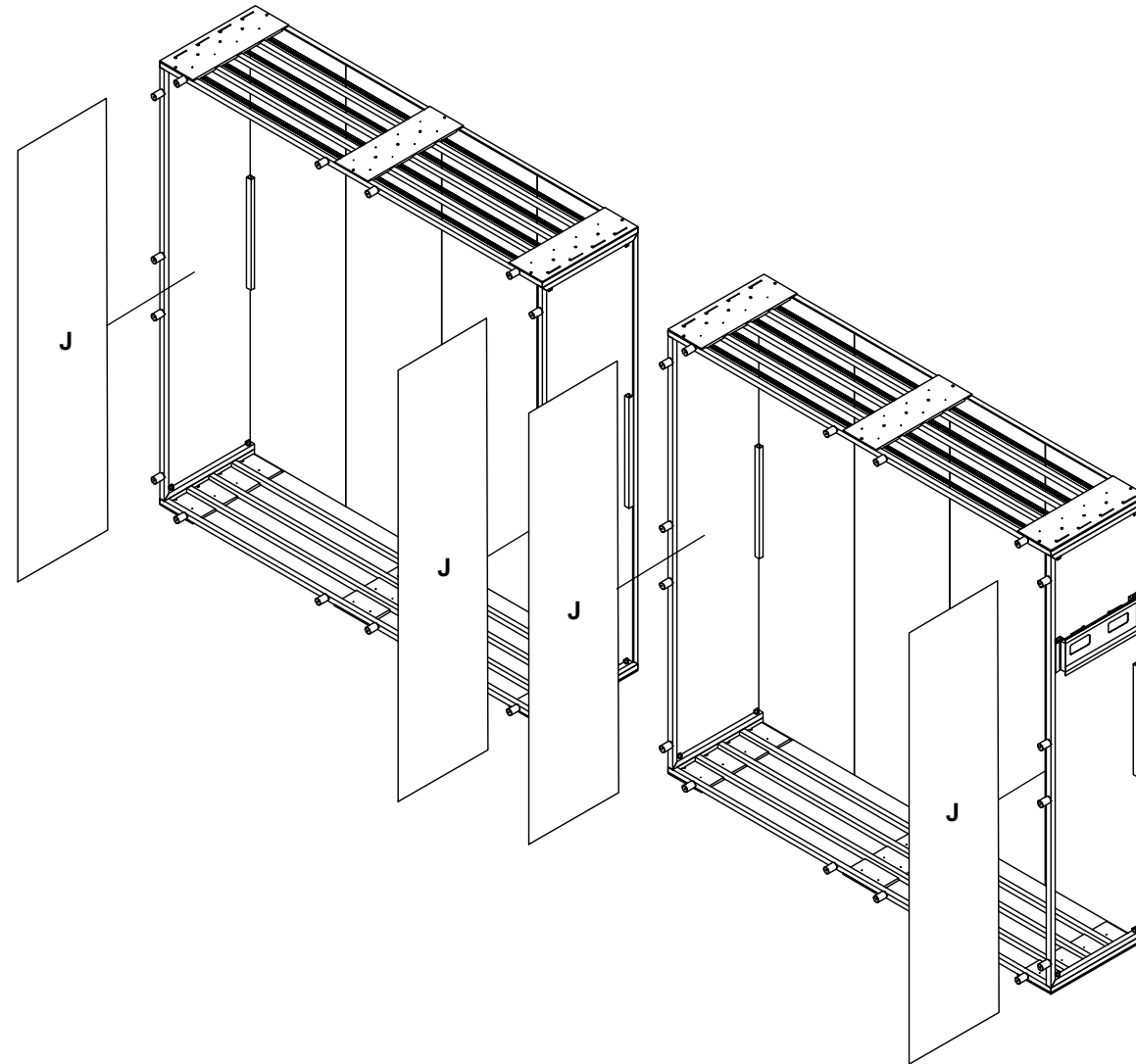


Attach the inner backwall graphics (G) to the inner left and inner right of the assembled backwall, in between the outer backwall graphics (F).





Attach the monitor mount (H) to the right vertical frame (C) using Hafele bolts (I).



Attach the side backwall graphics (J) to the inner sides of each frame.



**Expo EXPO Displays**

3401 Mary Taylor Road  
Birmingham, Alabama 35235  
(205) 439-8200

Job # R&D

Date: 2/21/2017

Drawn By: CRS

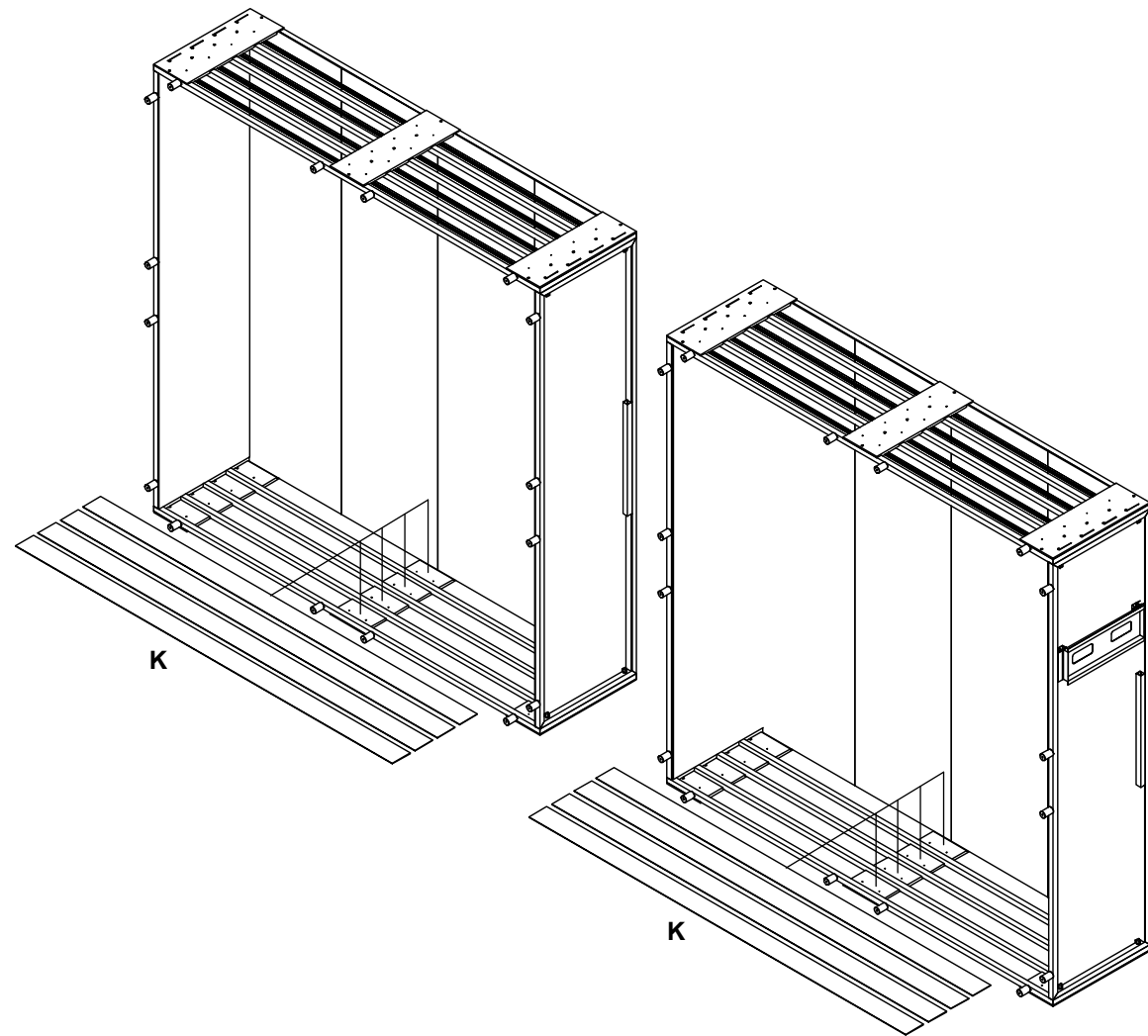
Project Title

Exhibitor - Level

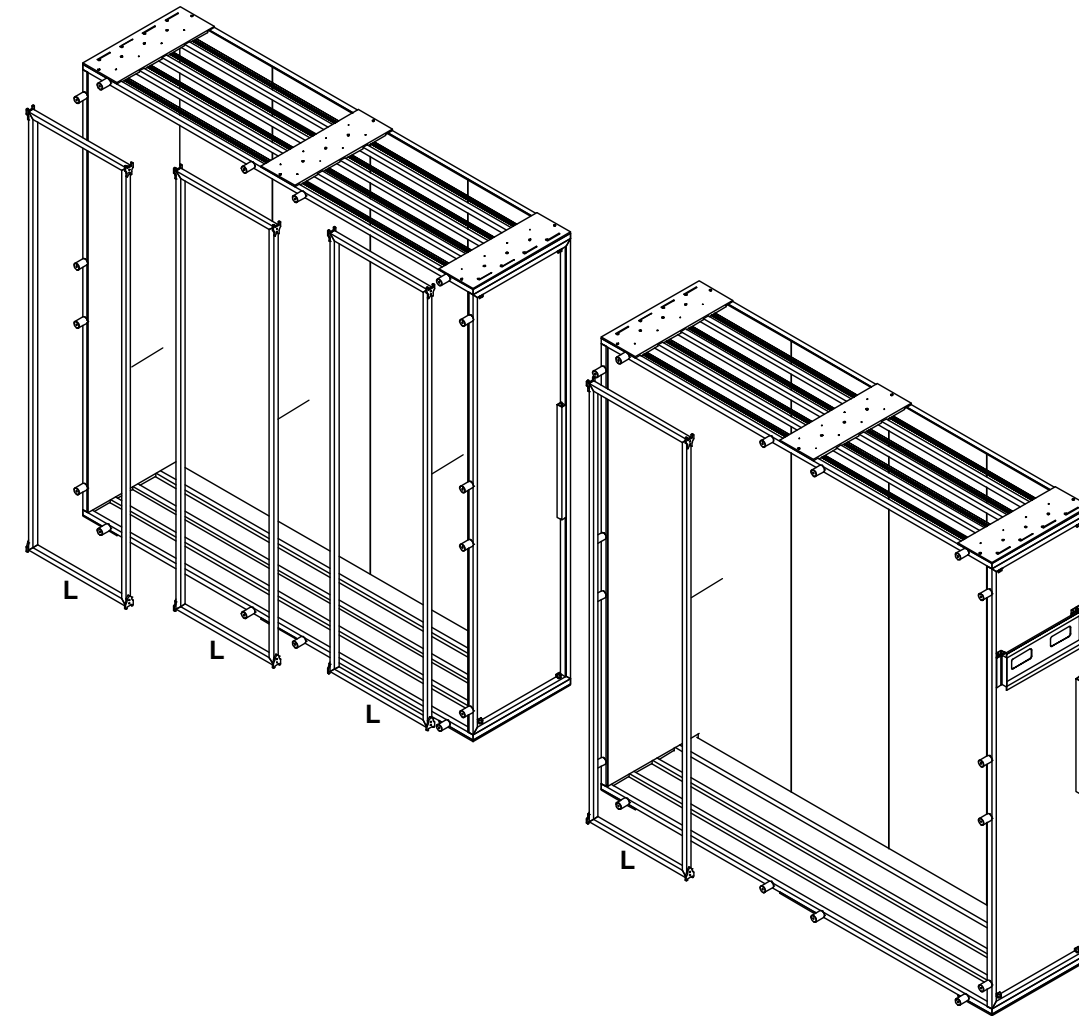
Sheet Title

Exhibitor Assembly Instructions





Place the floor graphics (K) into the openings at the bottom of the frame.



Place the GraphiGlide frames (L) onto the rails of the main frame. Do this by aligning the long-pronged guides at the top of the GraphiGlide frames with the top rails, then swinging the bottom of the GraphiGlide frame into place, aligning the short-pronged guides with the bottom rails.



**Expo EXPO Displays**

3401 Mary Taylor Road  
Birmingham, Alabama 35235  
(205) 439-8200

Job # R&D

Date: 2/21/2017

Drawn By: CRS

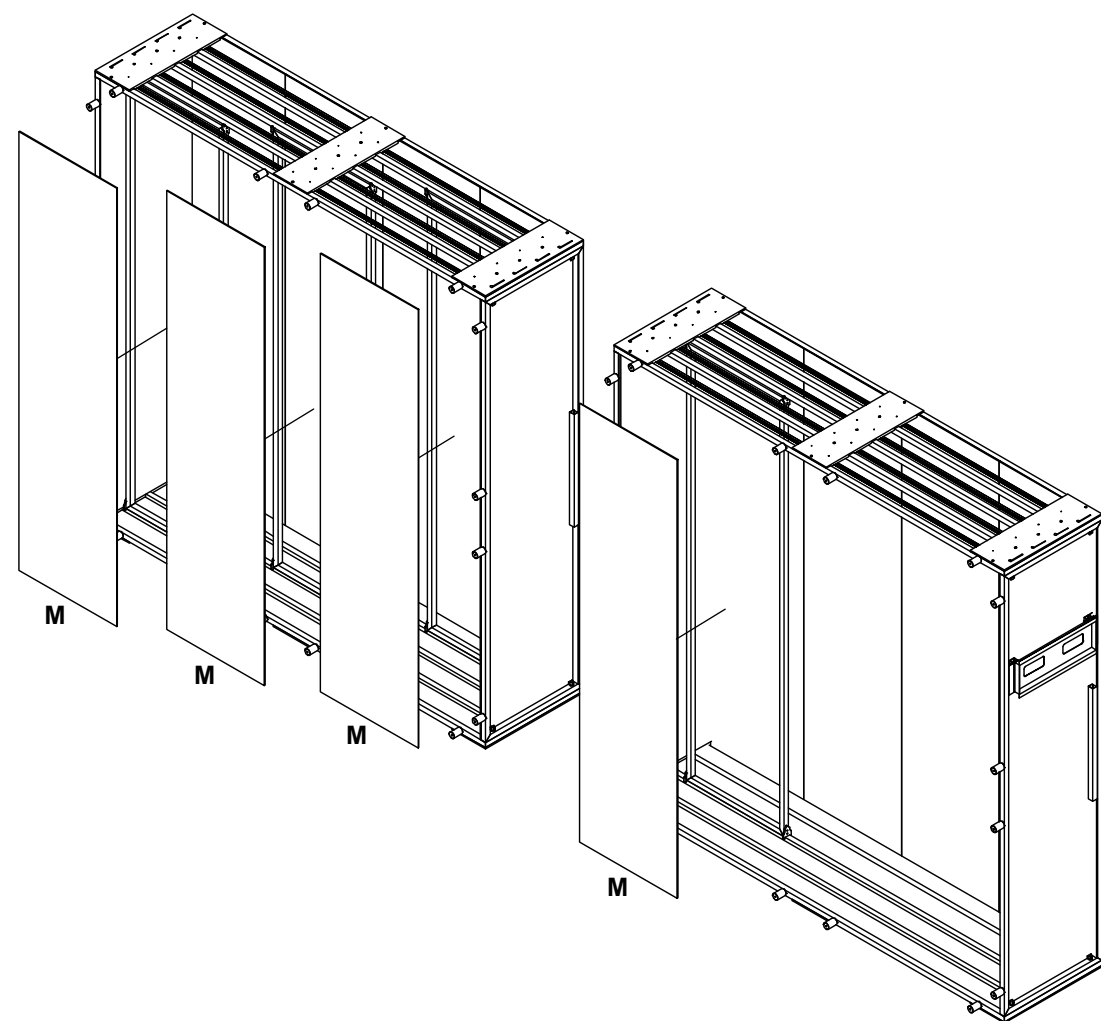
Project Title

Exhibitor - Level

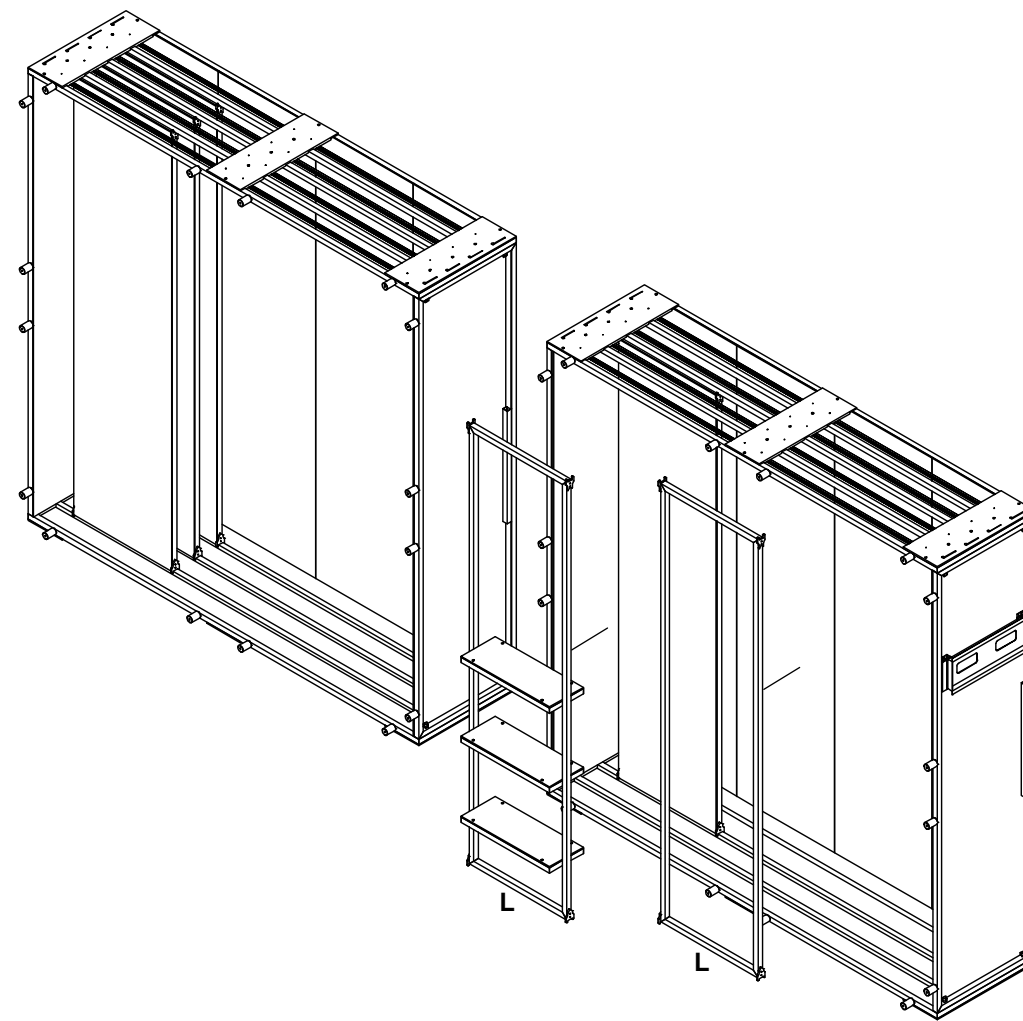
Sheet Title

Exhibitor Assembly Instructions





Attach the GraphiGlide graphics (M) to the GraphiGlide frames (L).



Place the customized GraphiGlide frames (L) onto the rails of the main frame. Do this by aligning the long-pronged guides at the top of the GraphiGlide frames with the top rails, then swinging the bottom of the GraphiGlide frame into place, aligning the short-pronged guides with the bottom rails.



**Expo EXPO Displays**

3401 Mary Taylor Road  
Birmingham, Alabama 35235  
(205) 439-8200

Job # R&D

Date: 2/21/2017

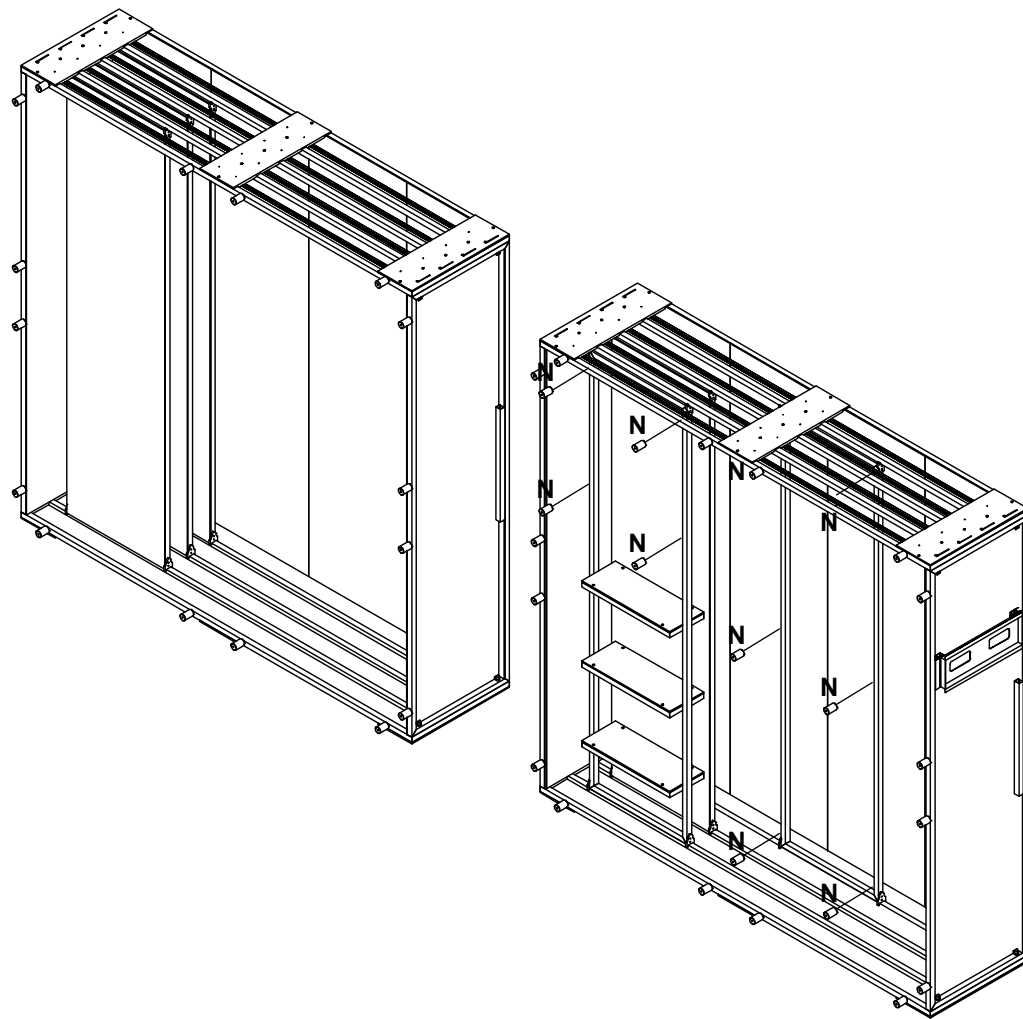
Drawn By: CRS

Project Title

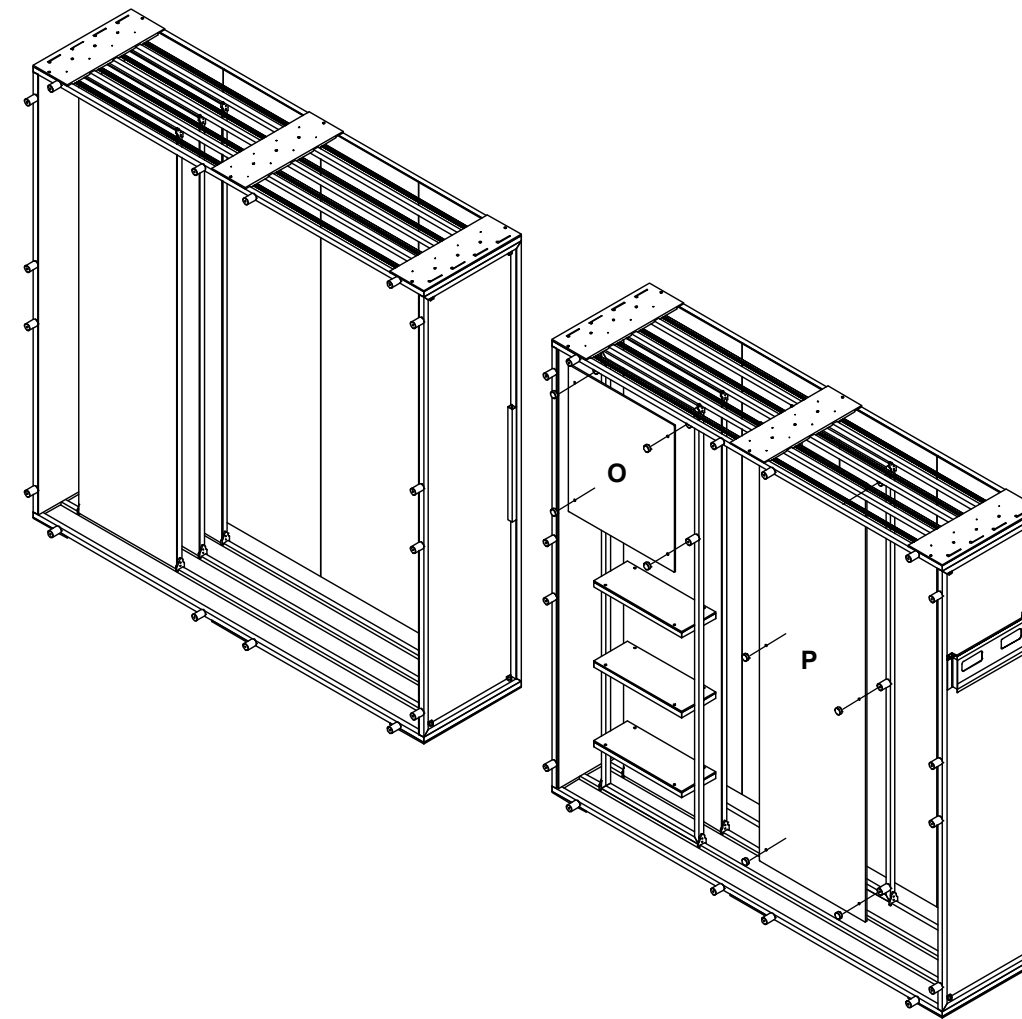
Exhibitor - Level

Sheet Title

Exhibitor Assembly Instructions



Attach the standoffs (N) to the customized GraphiGlide frames (L). Do this by inserting bolts through the holes in the GraphiGlide frames, and then screwing the standoff barrels to the bolt on the other side.



Attach plex graphics 1 and 2 (O and P) to the customized GraphiGlide frames. Do this by aligning the holes in the plex graphics with the standoff barrel holes, and then insert the standoff cap.



**Expo EXPO Displays**

3401 Mary Taylor Road  
Birmingham, Alabama 35235  
(205) 439-8200

Job # R&D

Date: 2/21/2017

Drawn By: CRS

Project Title

Exhibitor - Level

Sheet Title

Exhibitor Assembly Instructions



Expo **EXPO** Displays

3401 Mary Taylor Road  
Birmingham, Alabama 35235  
(205) 439-8200

Job # R&D

Date: 2/21/2017

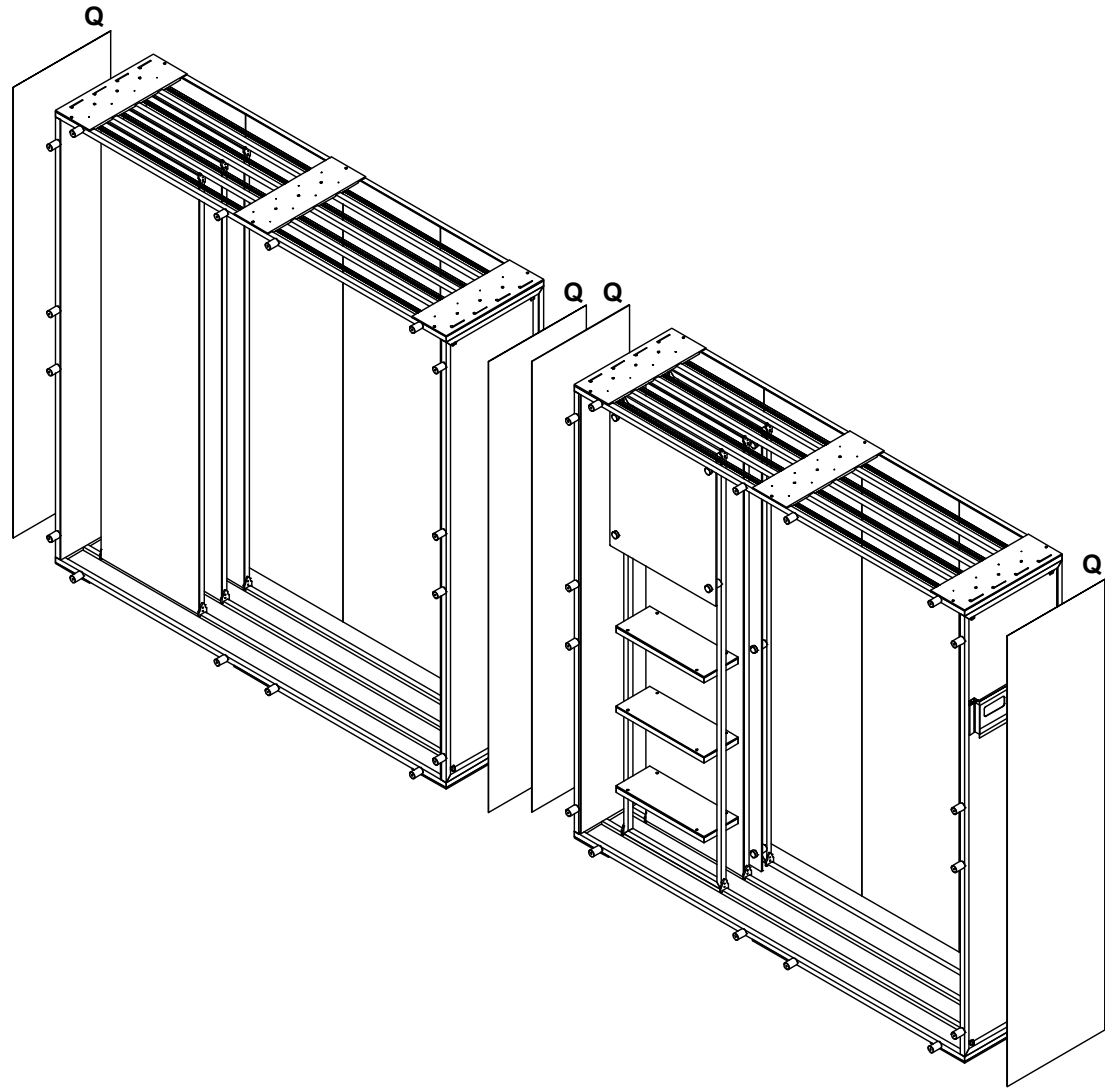
Drawn By: CRS

Project Title

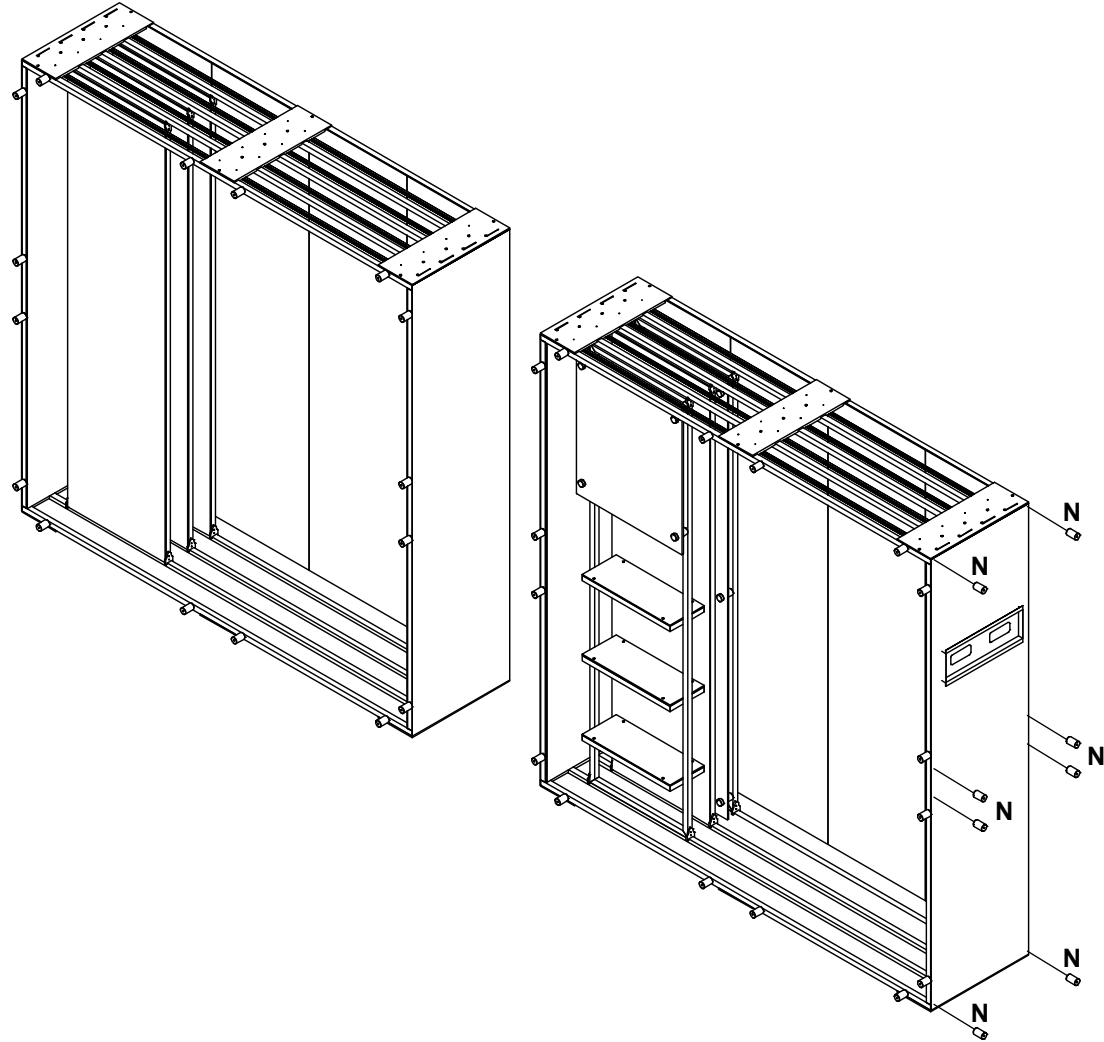
Exhibitor - Level

Sheet Title

Exhibitor Assembly Instructions

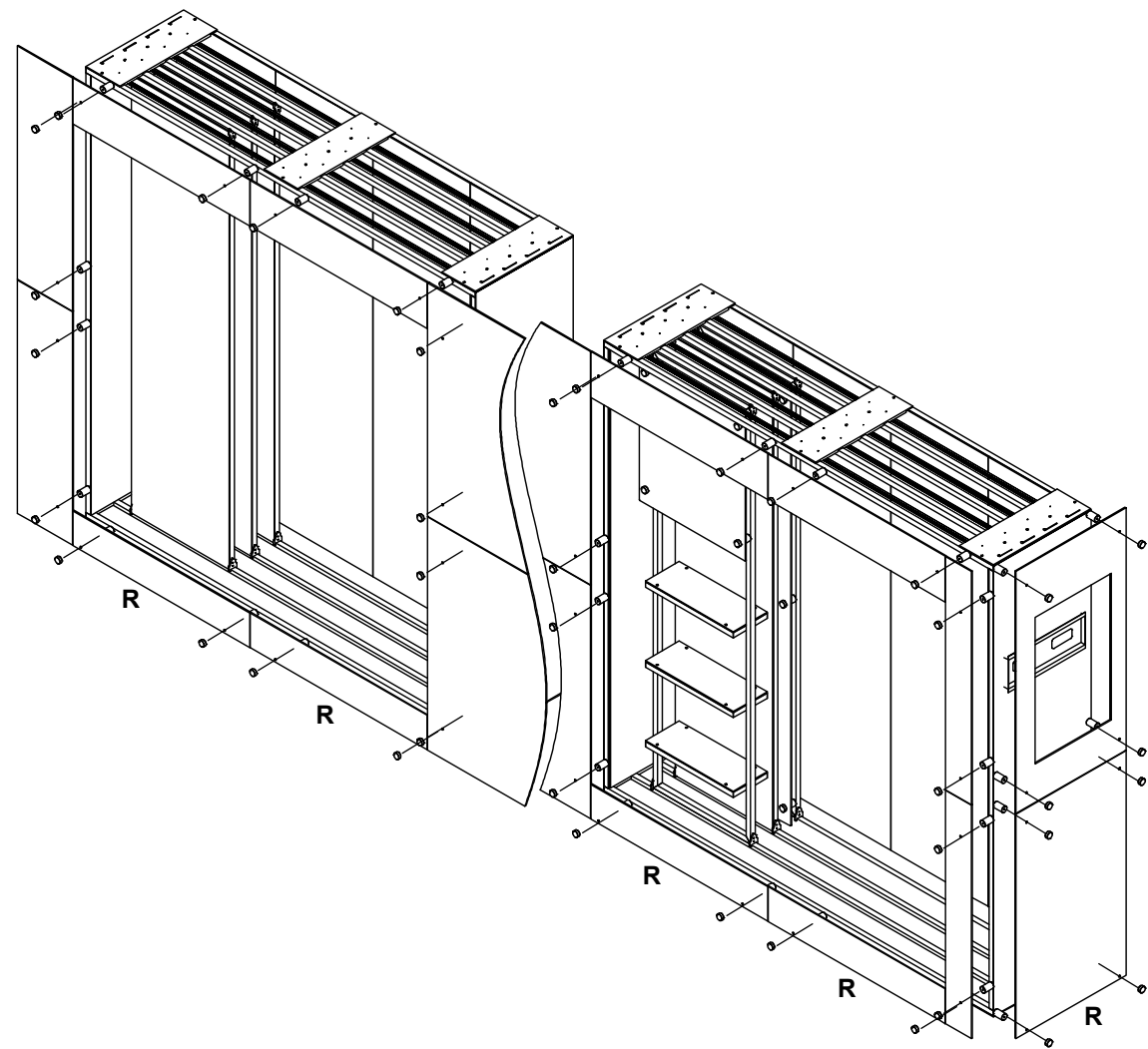


Attach the outside panels (Q) to the outer ends of each Level frame.

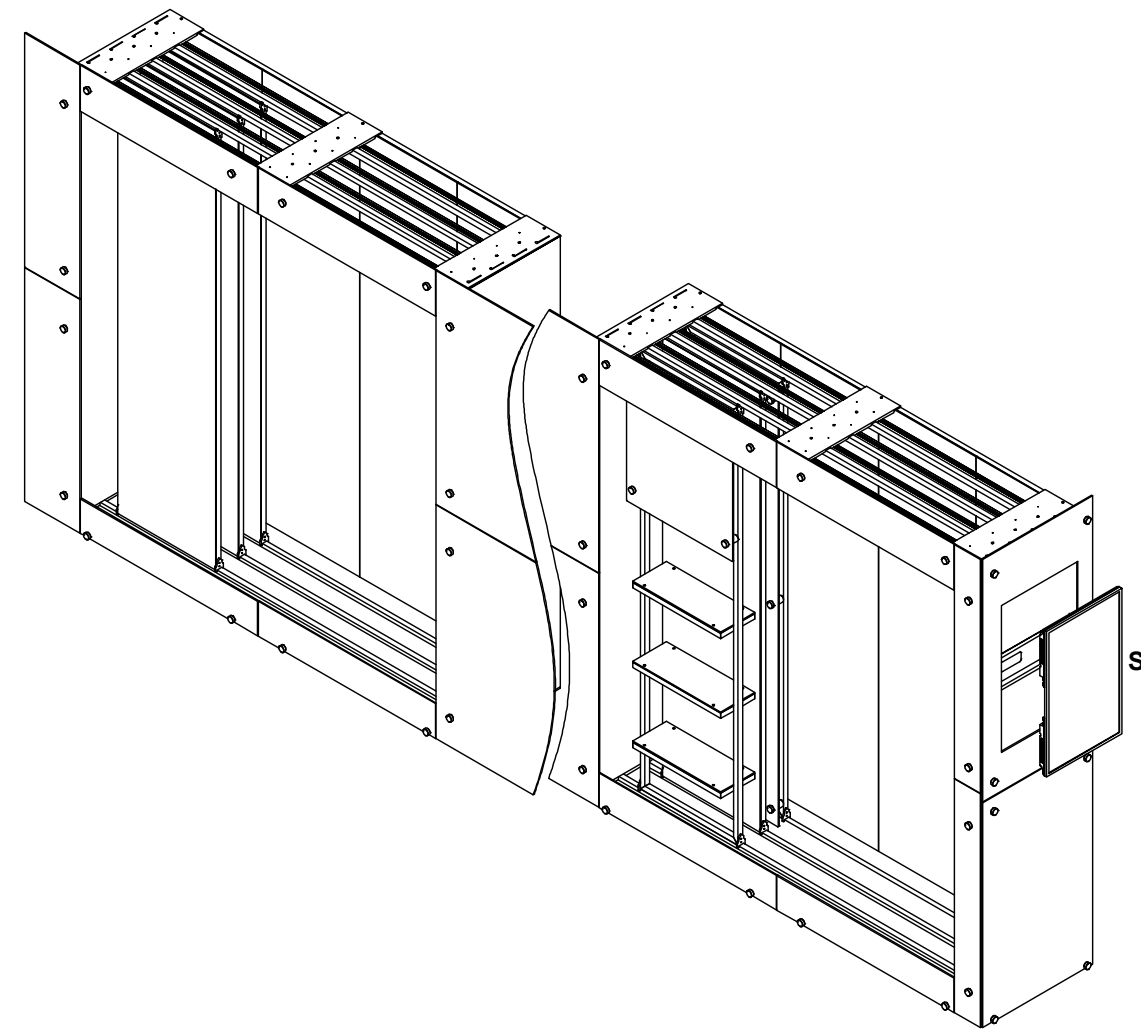


Screw standoff barrels (N) onto the right side of the right frame into the corresponding threaded inserts.





Attach the wings (R) to the outside of each Level frames. Do this by aligning the holes in the plex wings with the standoff barrel holes, and then insert the standoff cap.



Mount the television (S) to the monitor mount (H).



**Expo EXPO Displays**

3401 Mary Taylor Road  
Birmingham, Alabama 35235  
(205) 439-8200

Job # R&D

Date: 2/21/2017

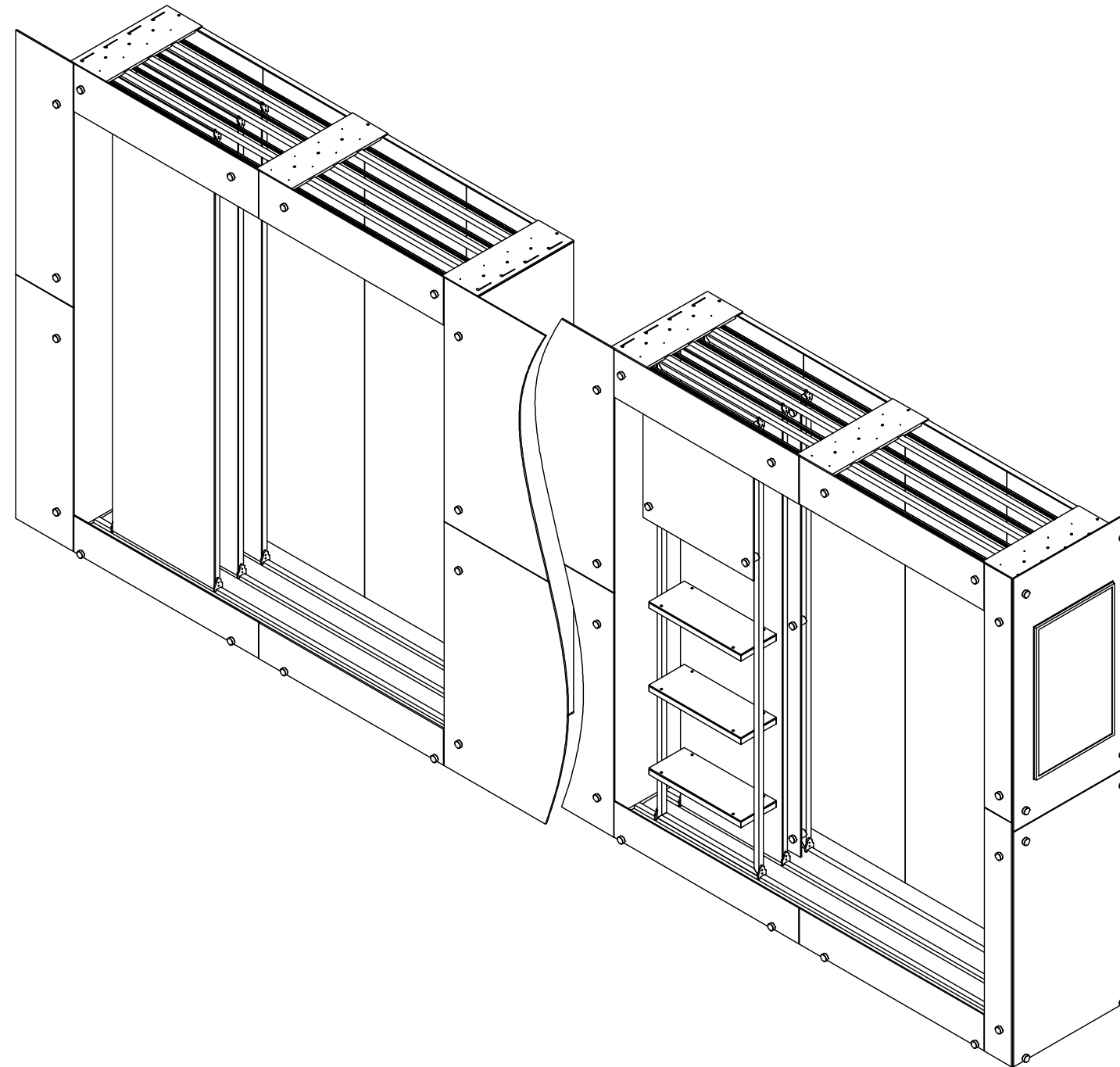
Drawn By: CRS

Project Title

Exhibitor - Level

Sheet Title

Exhibitor Assembly Instructions



**Expo EXPO Displays**

3401 Mary Taylor Road  
Birmingham, Alabama 35235  
(205) 439-8200

**Job # R&D**

**Date: 2/21/2017**

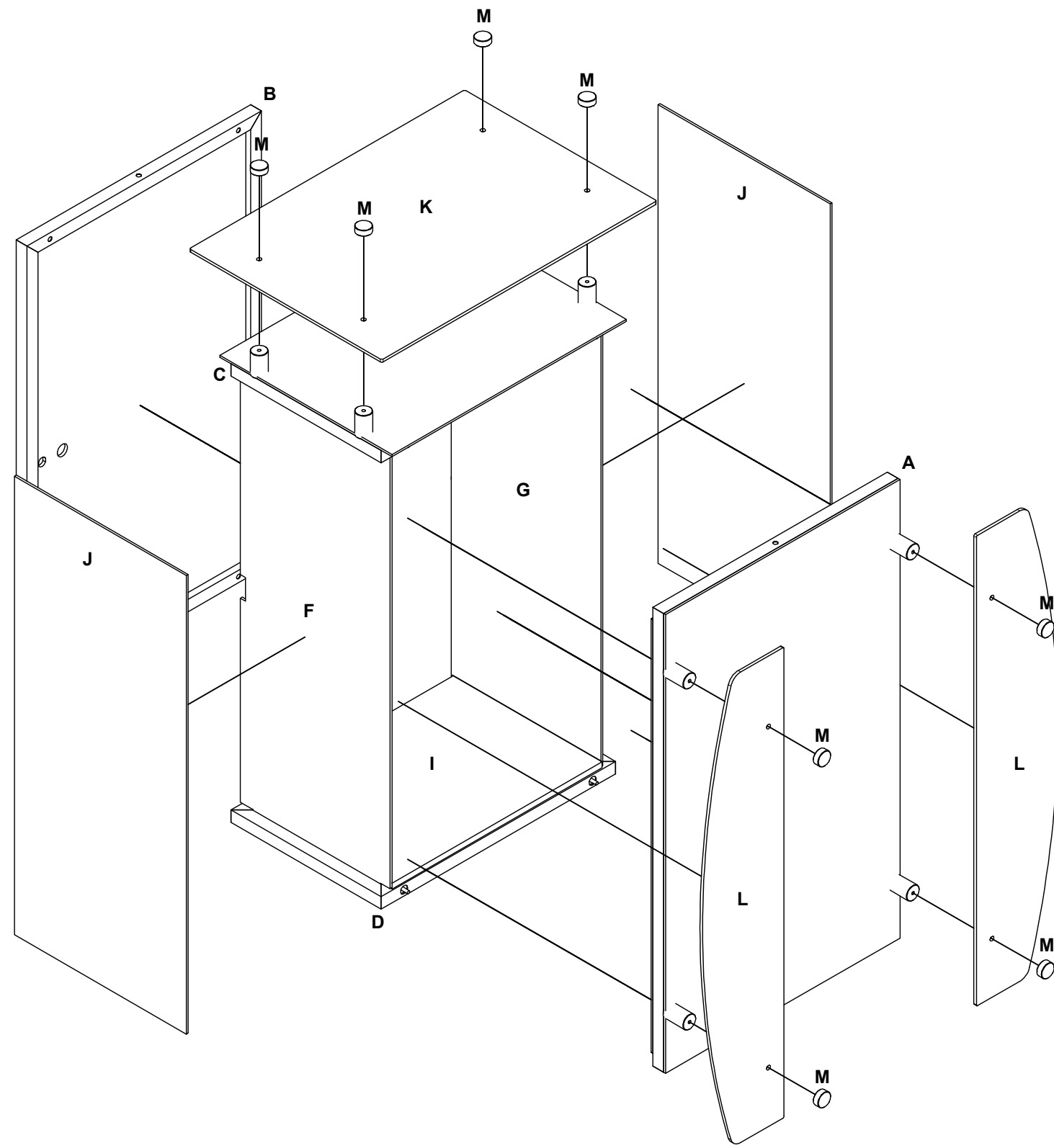
**Drawn By: CRS**

Project Title

Exhibitor - Level

Sheet Title

Exhibitor Assembly Instructions



Inventory	
A	Front Vertical Frame
B	Back Vertical Frame
C	Top Horizontal Frame
D	Bottom Horizontal Frame
E	Red Thumbscrew
F	Inner Panel - Lock Side
G	Inner Panel - Hinge Side
H	Green Thumbscrew
I	Podium Floor
J	Side Graphics
K	Countertop
L	Wings
M	Standoff Caps



**Expo EXPO Displays**

3401 Mary Taylor Road  
Birmingham, Alabama 35235  
(205) 439-8200

**Job # R&D**

**Date: 2/21/2017**

**Drawn By: CRS**

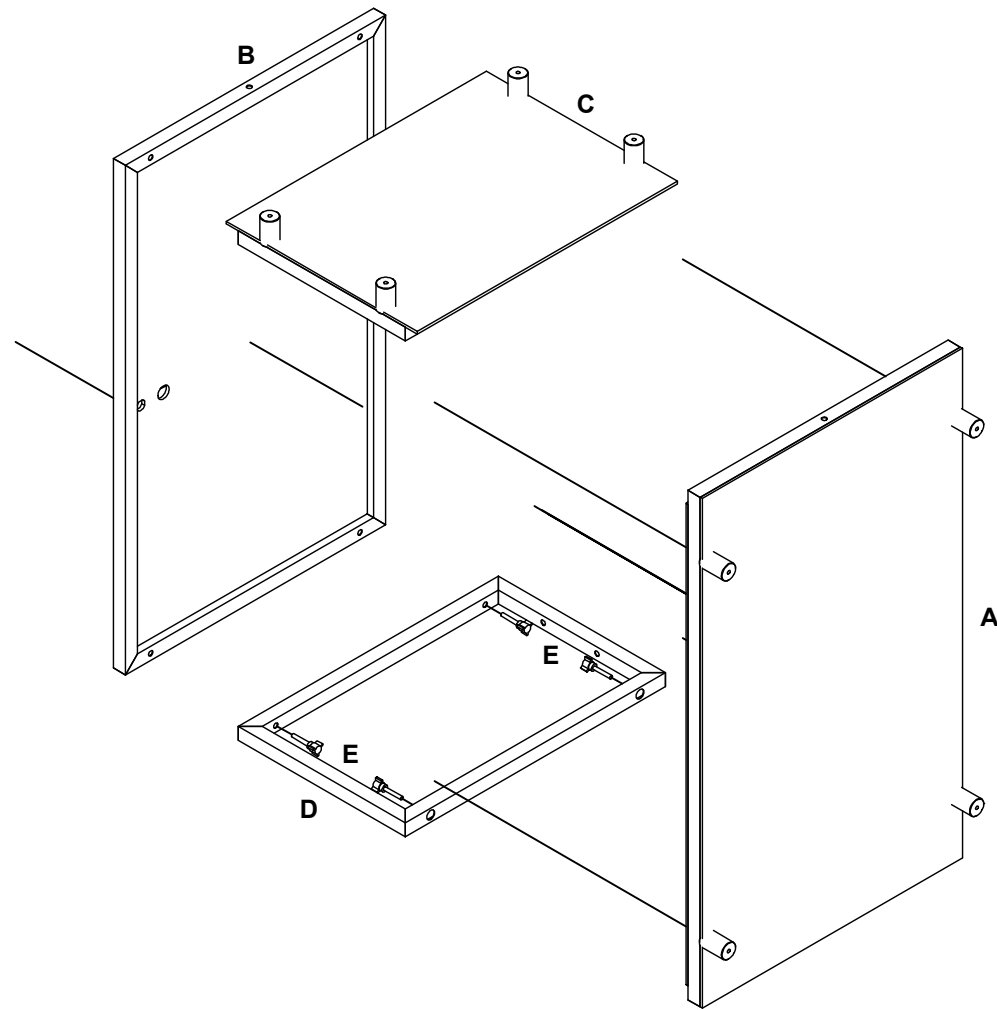
Project Title

Exhibitor - Level

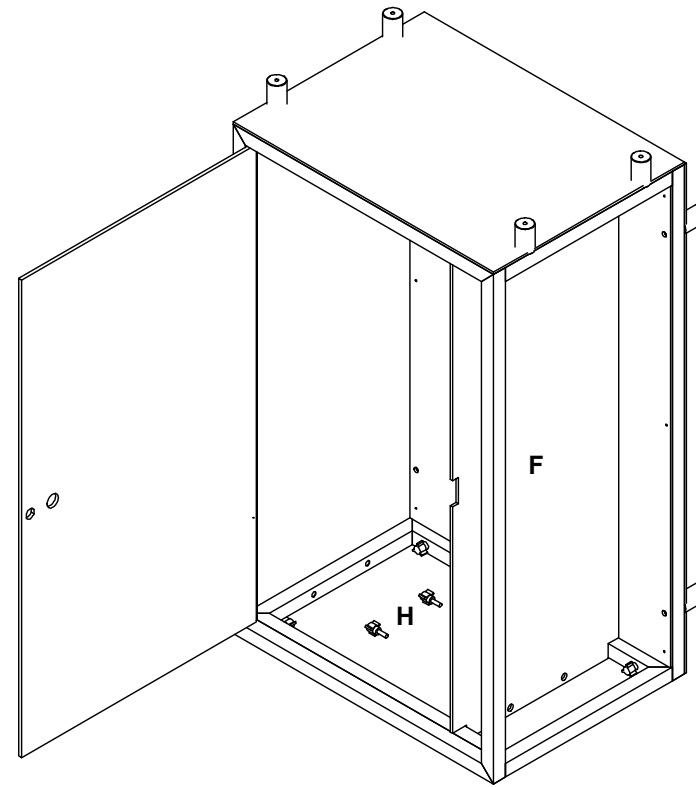
Sheet Title

Exhibitor Assembly Instructions

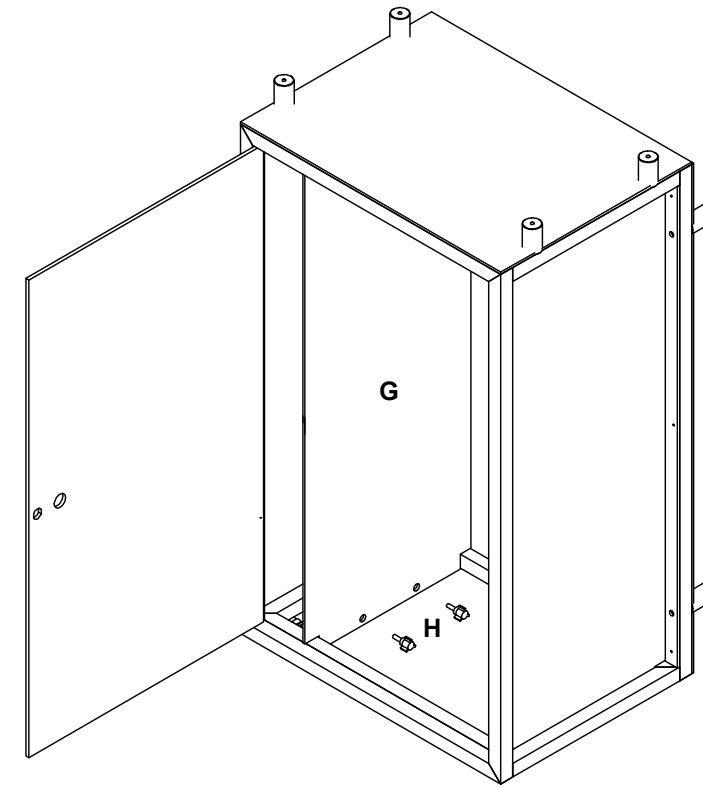




Assemble the main frame by connecting the front and back vertical frames (A and B) to the top and bottom horizontal frames (C and D) by using red thumbscrews (E).



Attach the inner panel for the lock side of the door (F) to the inside of the assembled frame using green thumbscrews (H).



Attach the inner panel for the hinge-side of the door (G) to the inside of the assembled frame using green thumbscrews (H).



**Expo EXPO Displays**

3401 Mary Taylor Road  
Birmingham, Alabama 35235  
(205) 439-8200

Job # R&D

Date: 2/21/2017

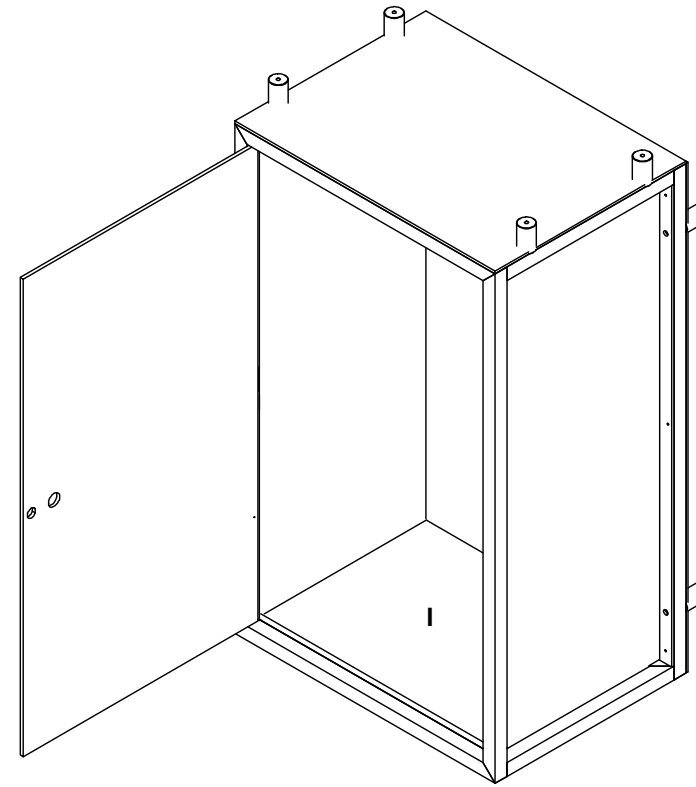
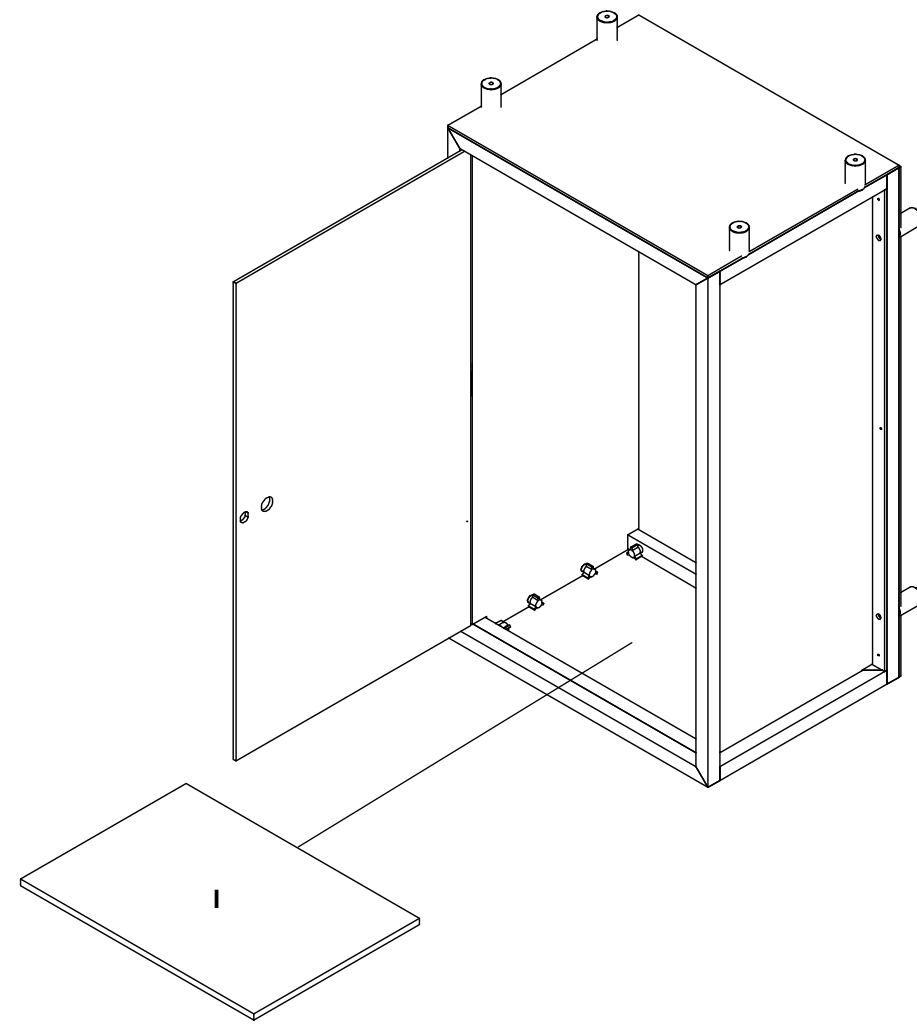
Drawn By: CRS

Project Title

Exhibitor - Level

Sheet Title

Exhibitor Assembly Instructions



Place the podium floor (I) into the bottom of the podium.



**Expo EXPO Displays**

3401 Mary Taylor Road  
Birmingham, Alabama 35235  
(205) 439-8200

**Job # R&D**

**Date: 2/21/2017**

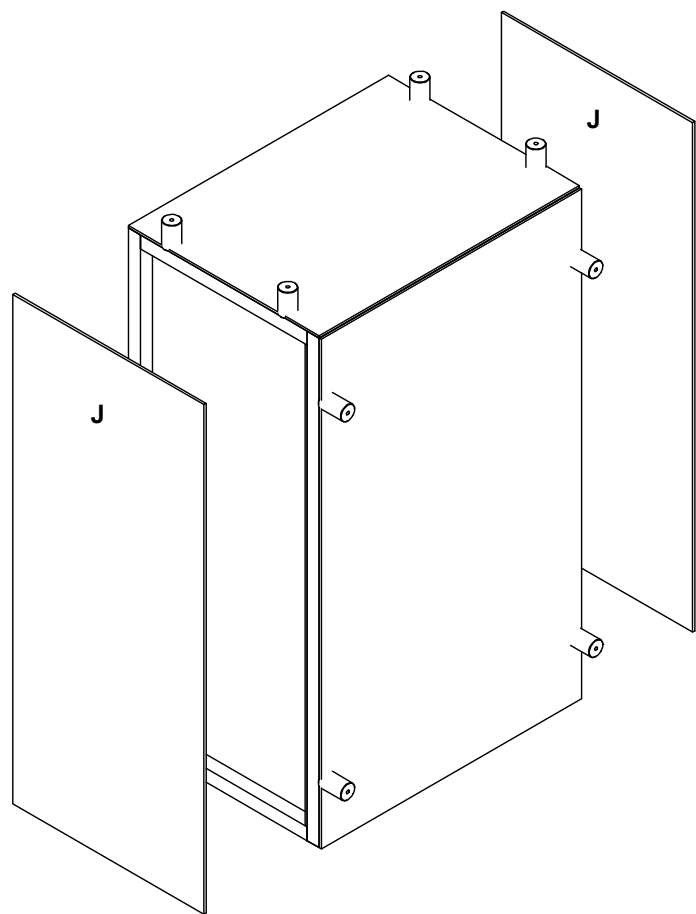
**Drawn By: CRS**

Project Title

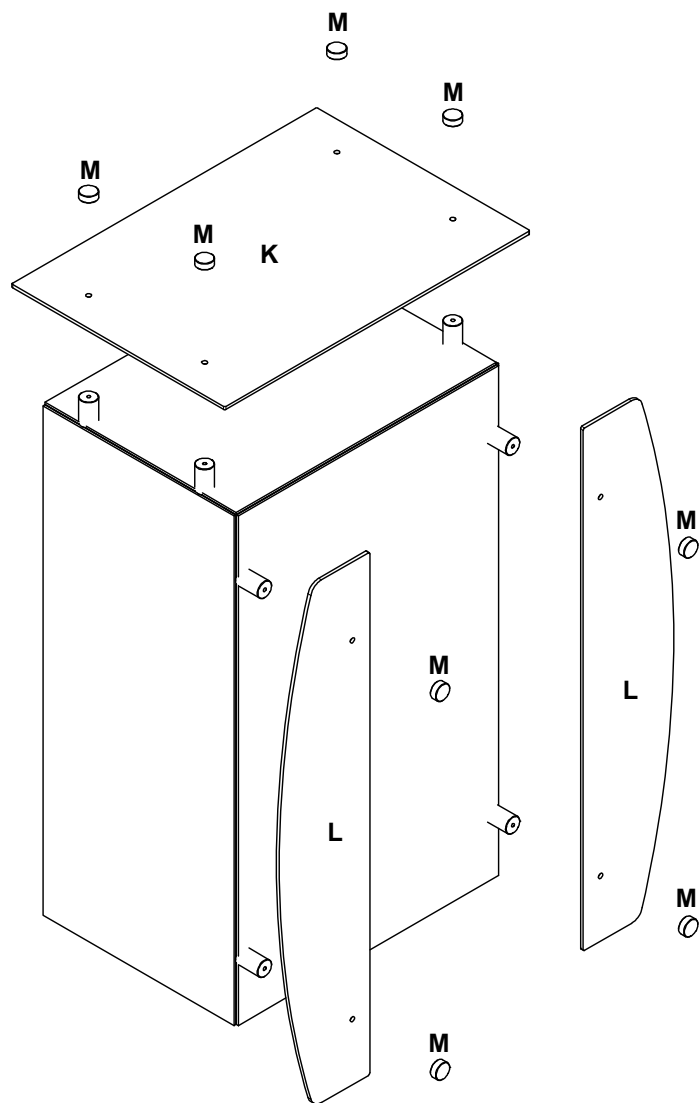
Exhibitor - Level

Sheet Title

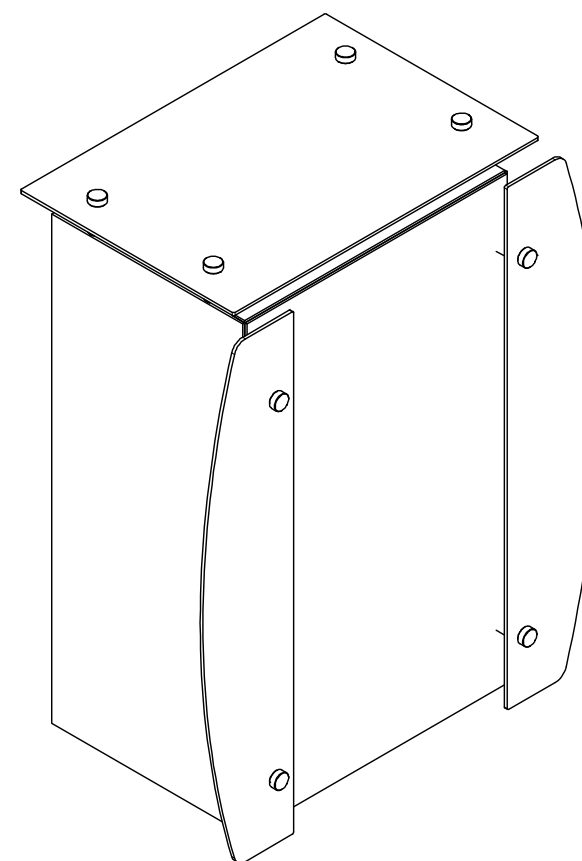
Exhibitor Assembly Instructions



Attach the side graphics (J) to either side of the podium.



Attach the countertop (K) and wings (L) to the top and front of the podium by aligning the holes in the plex to the standoff barrels, and then screwing in the standoff caps.



**Expo EXPO Displays**

3401 Mary Taylor Road  
Birmingham, Alabama 35235  
(205) 439-8200

Job # R&D

Date: 2/21/2017

Drawn By: CRS

Project Title

Exhibitor - Level

Sheet Title

Exhibitor Assembly Instructions





**Expo EXPO Displays**

3401 Mary Taylor Road  
Birmingham, Alabama 35235  
(205) 439-8200

Job # R&D

Date: 2/21/2017

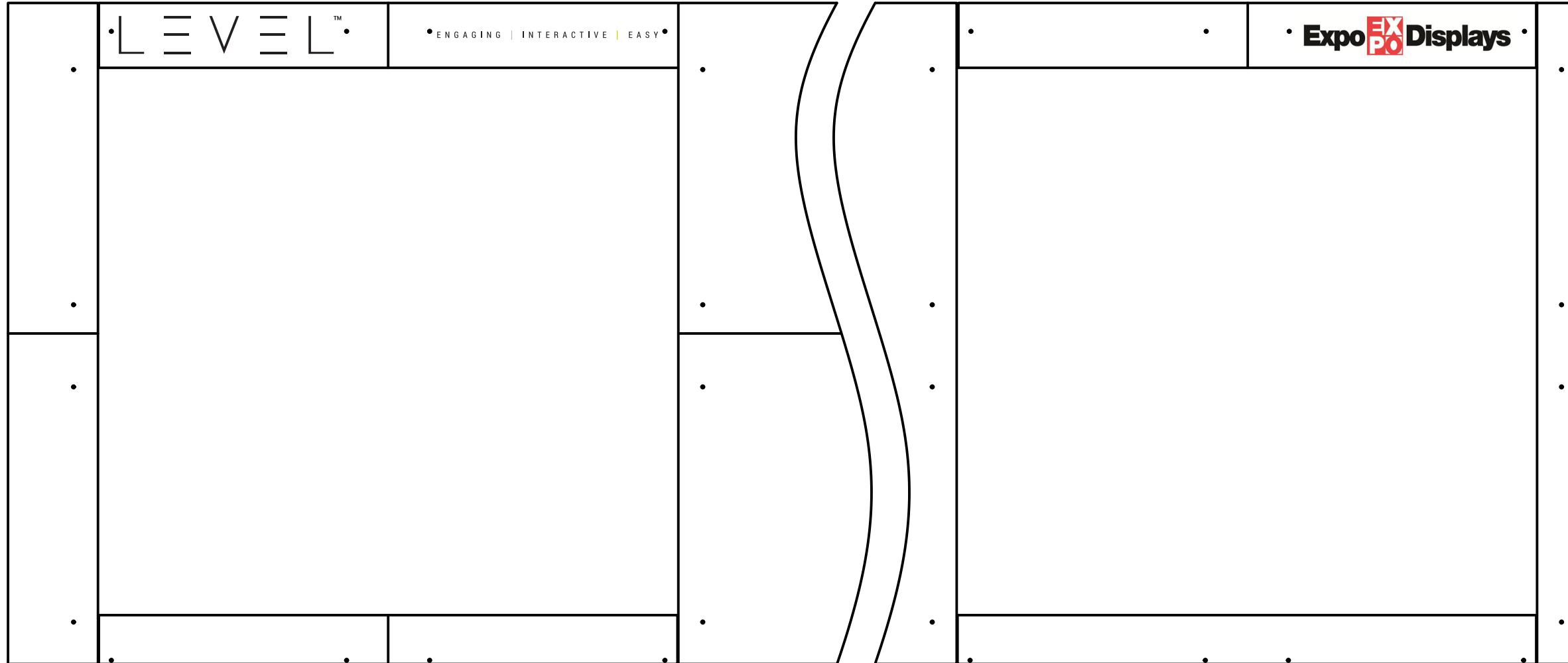
Drawn By: CRS

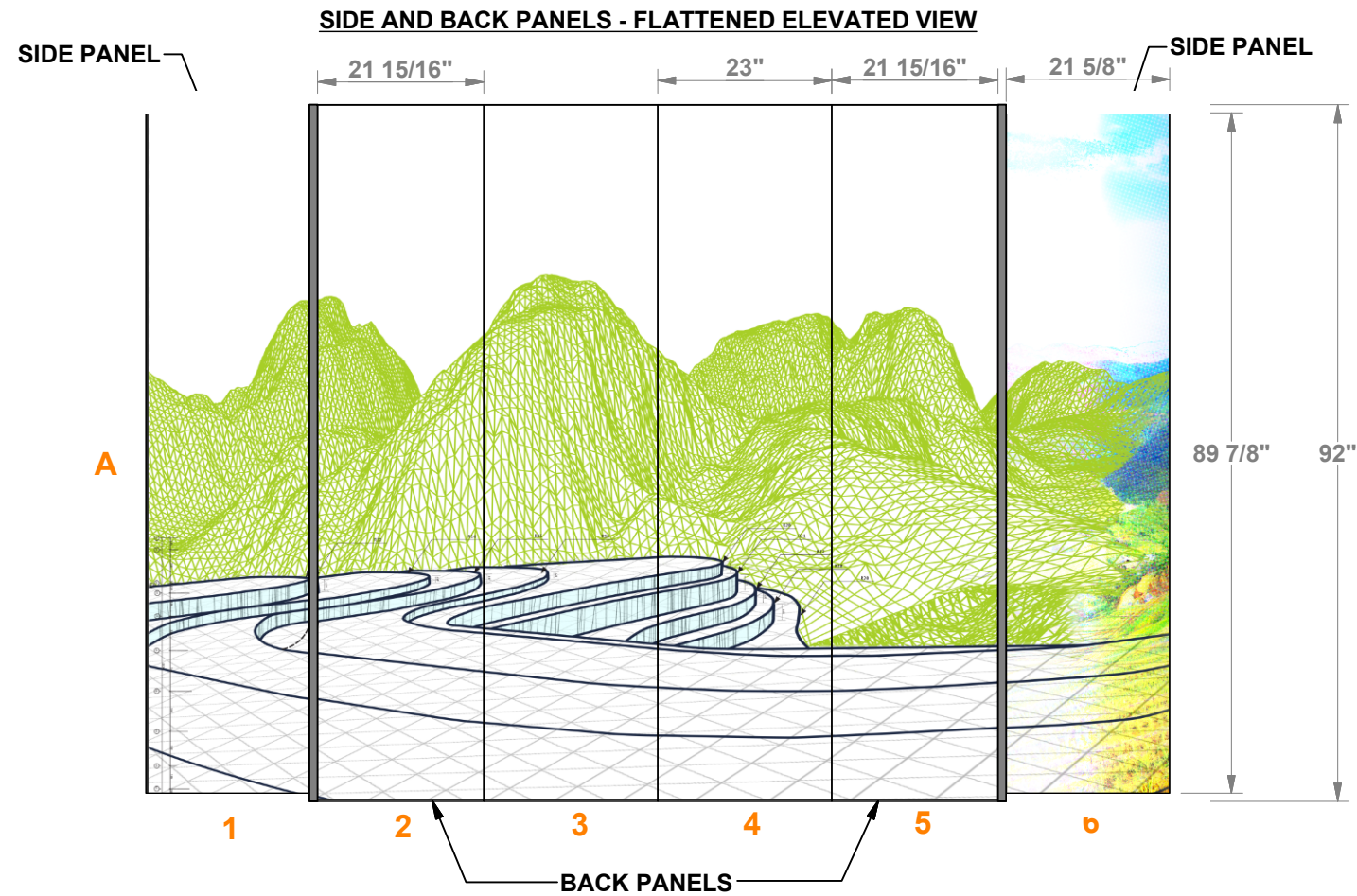
Project Title

Exhibitor - Level

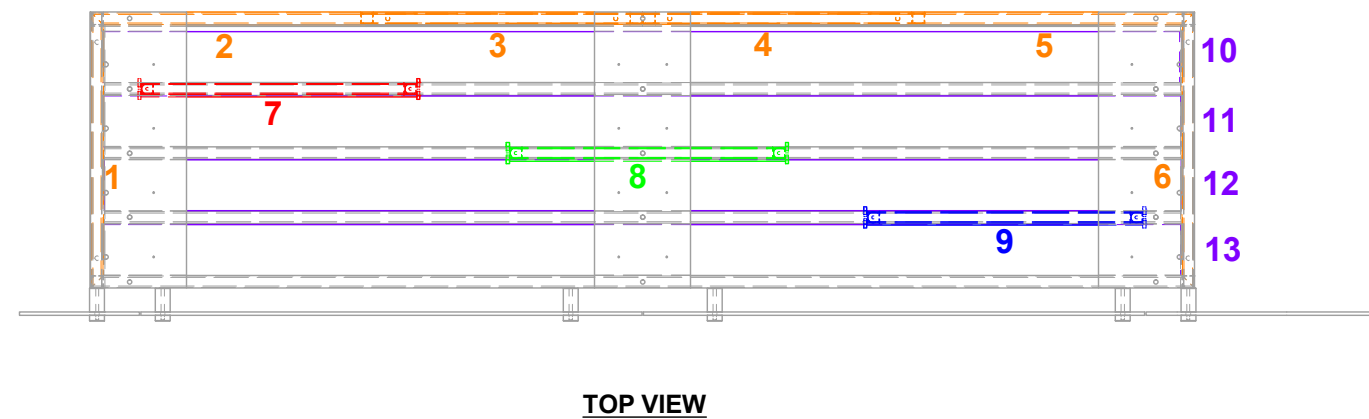
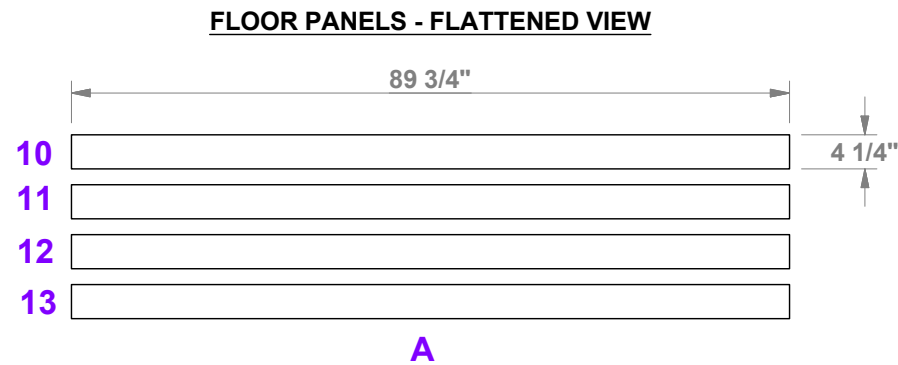
Sheet Title

Exhibitor Assembly Instructions





**Note: Side panel graphics should align with back wall graphics at the edge of the black borders on either side of the back wall.**



**PARTS LIST:**

QTY	SIZE	NAME
4	23 X 92	BACK PANEL
2	21 5/8 X 89 7/8	SIDE PANEL
3	23 X 89 1/2	GRAPHIC GLIDE PANEL™
4	89 3/4 x 4 1/2	FLOOR PANEL



**Expo Displays**

3401 Mary Taylor Road  
Birmingham, Alabama 35235  
(205) 439-8200

Job # R&D

Date: 2/21/2017

Drawn By: CRS

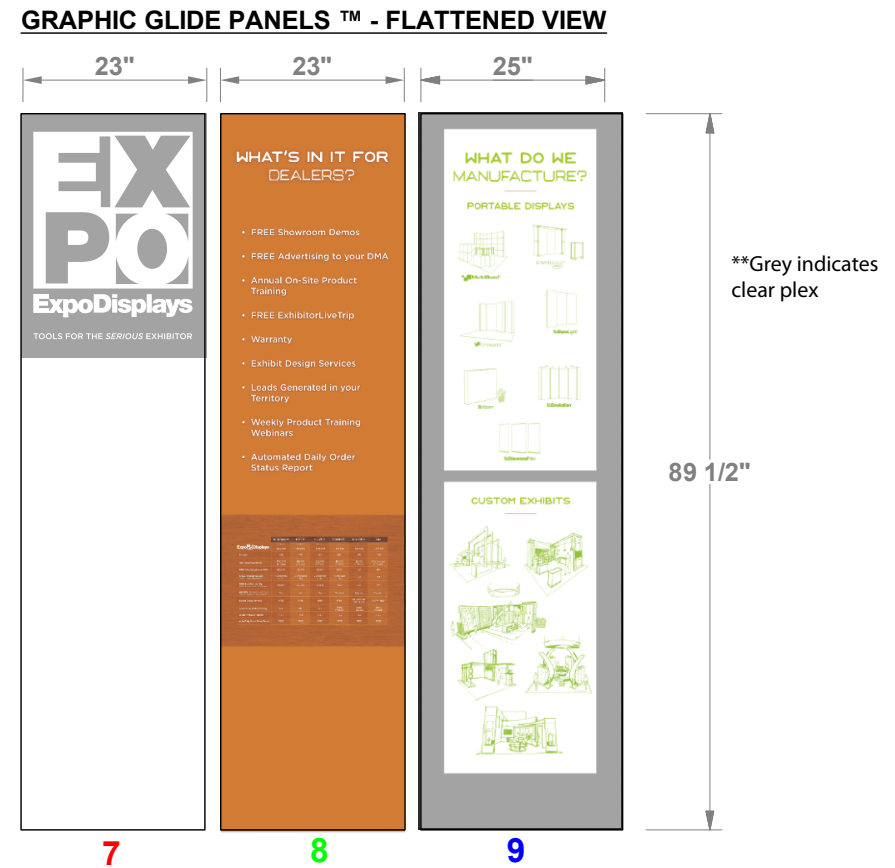
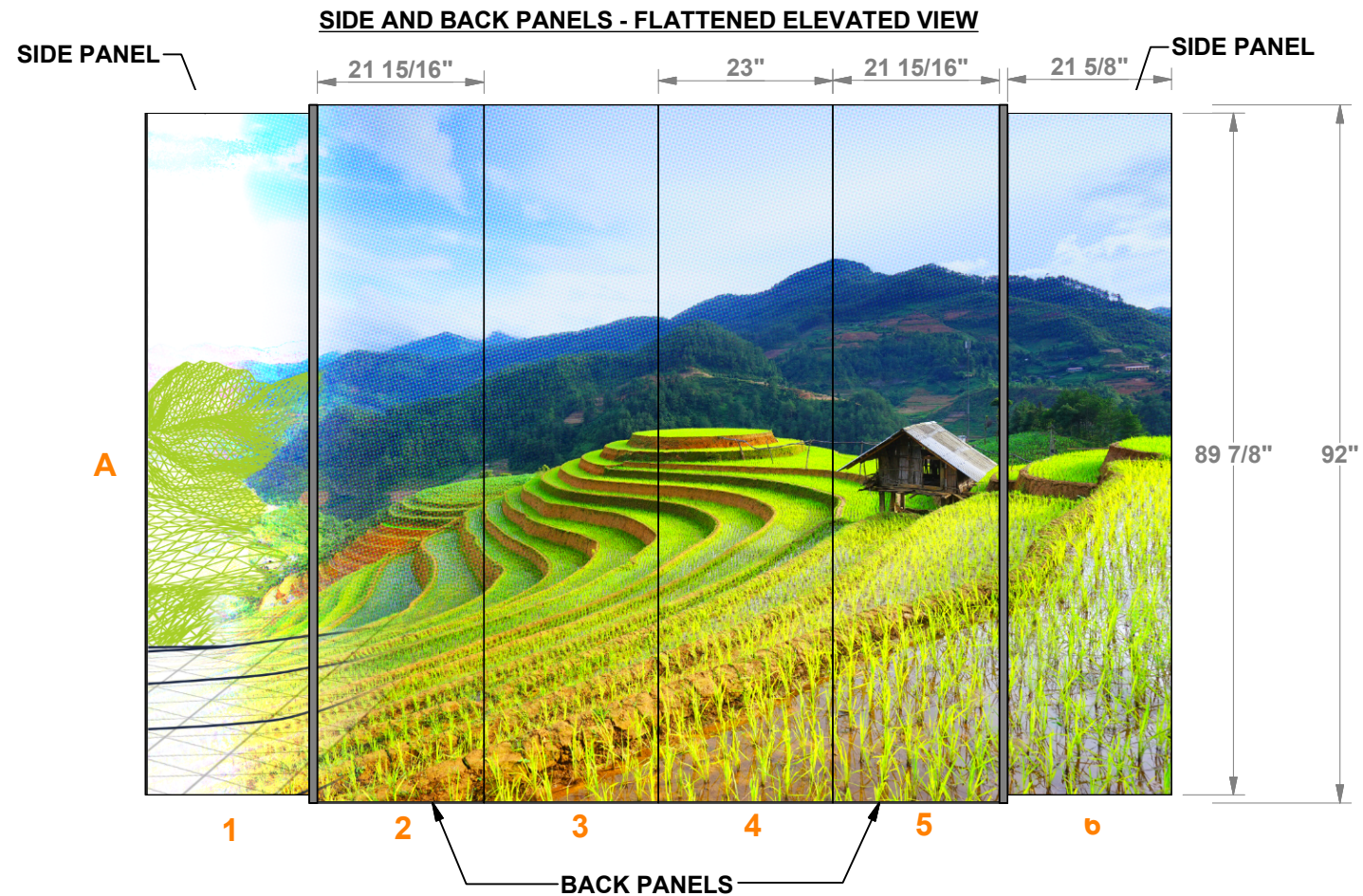
Project Title

Exhibitor - Level

Sheet Title

Exhibitor Assembly Instructions

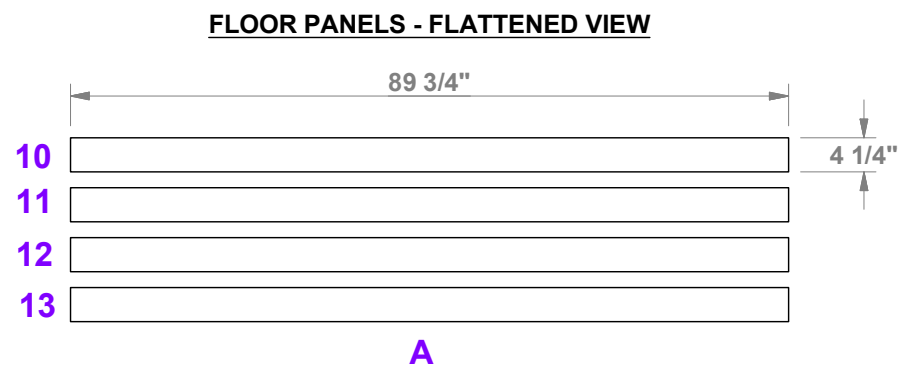




\*\*Grey indicates clear plex

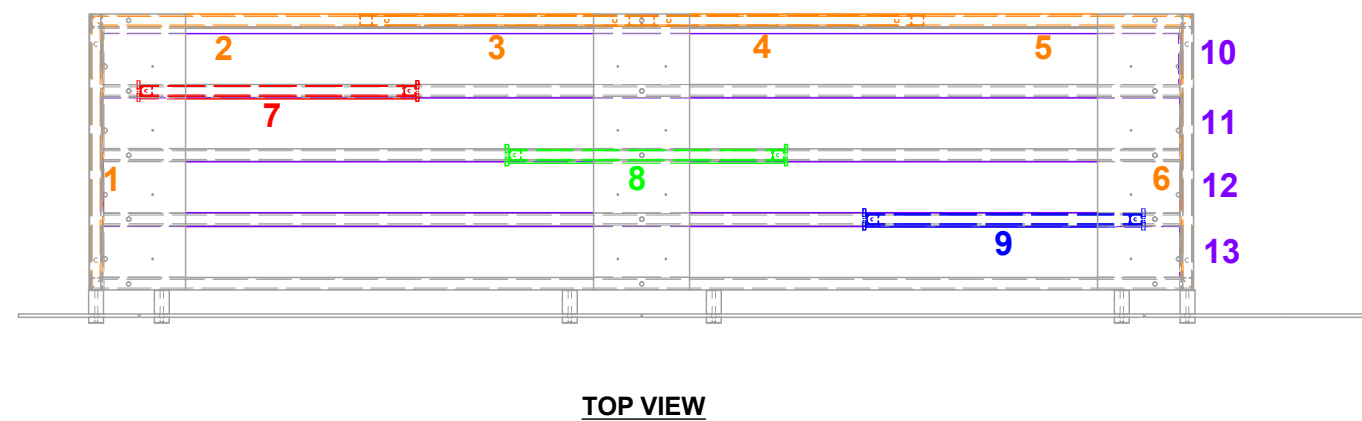
\*\*Grey indicates clear plex

**Note: Side panel graphics should align with back wall graphics at the edge of the black borders on either side of the back wall.**



**PARTS LIST:**

QTY	SIZE	NAME
4	23 X 92	BACK PANEL
2	21 5/8 X 89 7/8	SIDE PANEL
3	23 X 89 1/2	GRAPHIC GLIDE PANEL™
4	89 3/4 x 4 1/2	FLOOR PANEL



**Expo Displays**

3401 Mary Taylor Road  
Birmingham, Alabama 35235  
(205) 439-8200

**Job # R&D**

**Date: 2/21/2017**

**Drawn By: CRS**

Project Title

Exhibitor - Level

Sheet Title

Exhibitor Assembly Instructions