



Expo EXPO Displays

3401 Mary Taylor Road
Birmingham, Alabama 35235
(205) 439-8200

Job #

Date: 8/19/2015

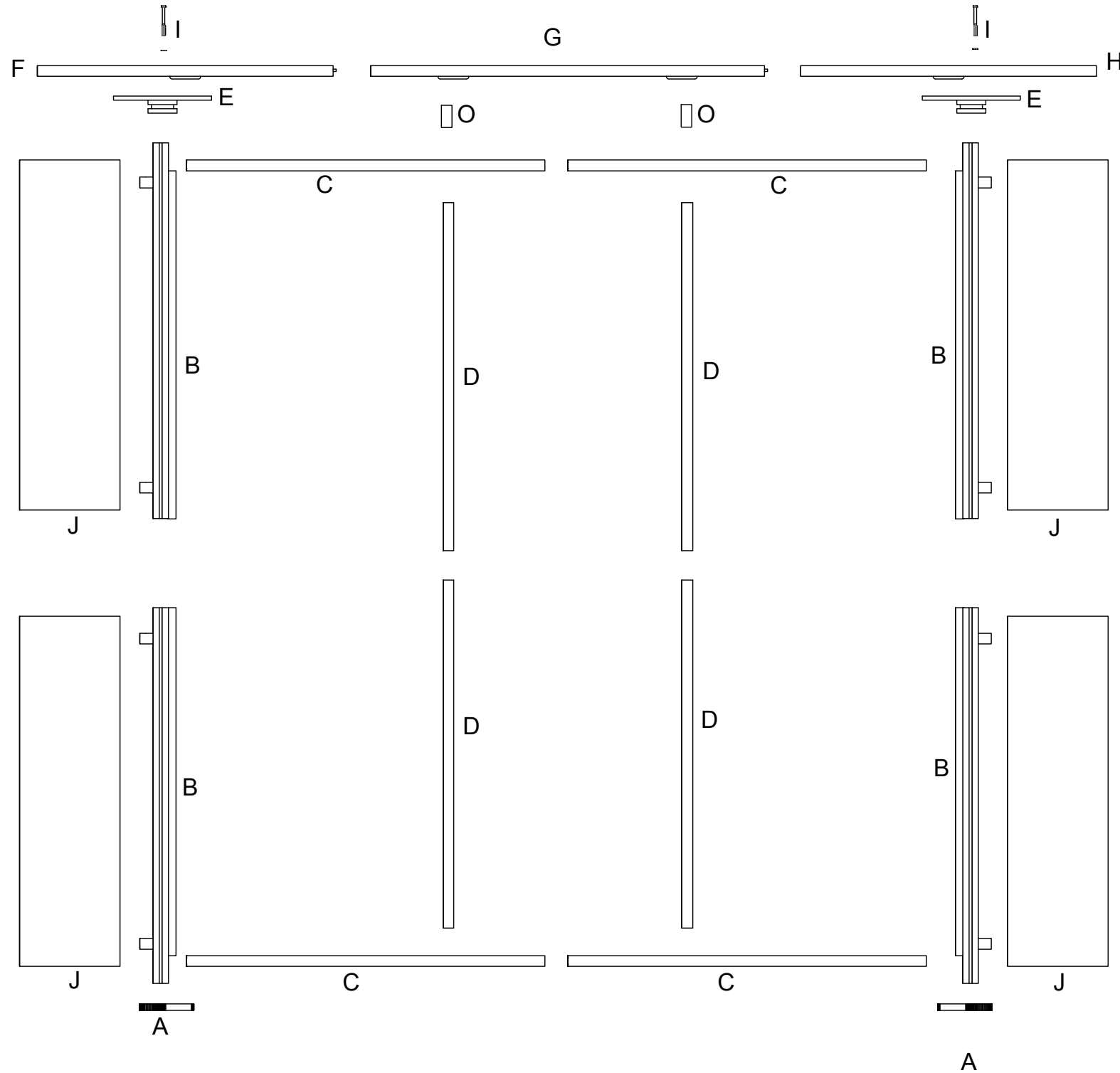
Drawn By:

Project Title

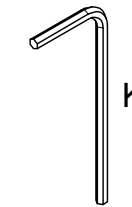
Sheet Title

Assembly Instructions
StratoSpace

StratoSpace Assembly



Inventory	
Column 1	Column 2
A	StratoSpace Foot
B	S44 Upright 44"
C	Z33 Horizontal 42"
D	Z33 Upright 40.75"
E	Canopy Support
F	Left Canopy
G	Center Canopy
H	Right Canopy
I	Hafele Bolt and Washer
J	Graphic Wing
K	Allen Key
L	Rollable Graphics
M	Black Thumbscrews
N	Set Screws
O	Metal Canopy Support



Expo Displays

3401 Mary Taylor Road
Birmingham, Alabama 35235
(205) 439-8200

Job #

Date: 8/19/2015

Drawn By:

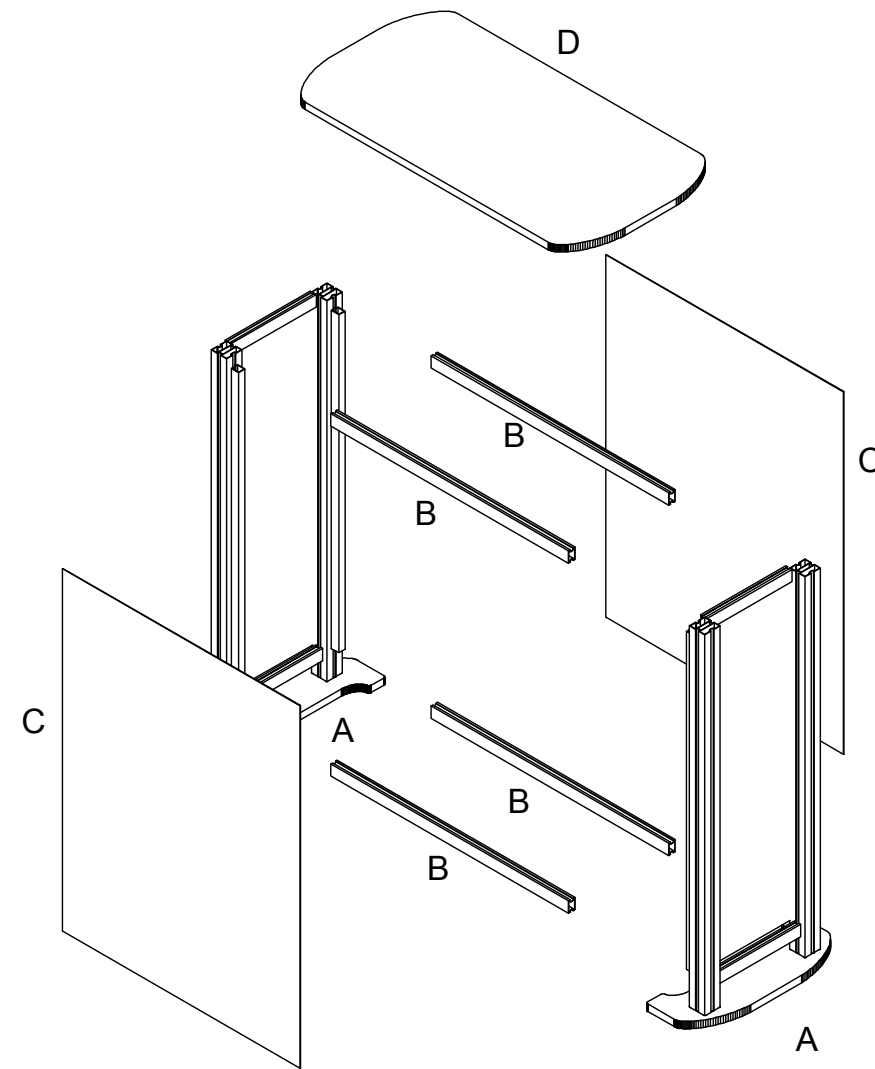
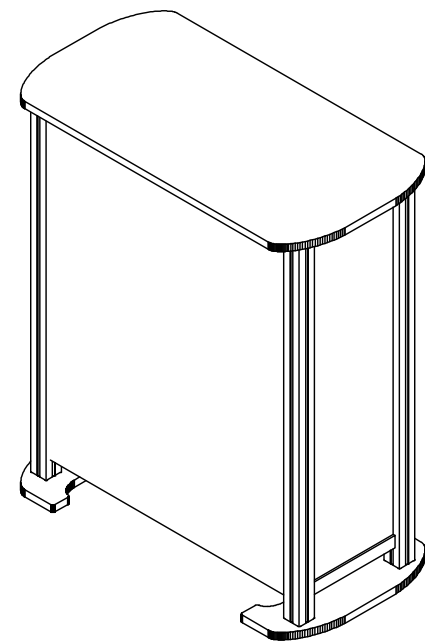
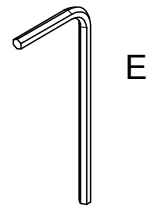
Project Title

Sheet Title

Assembly Instructions
StratoSpace

StratoSpace Podium Assembly

Inventory	
Column 1	Column 2
A	S44 Leg 39"
B	Z33 Horizontal 28"
C	Sintra Graphic
D	Podium Countertop
E	Allen Key



Expo EXPO Displays

3401 Mary Taylor Road
Birmingham, Alabama 35235
(205) 439-8200

Job #

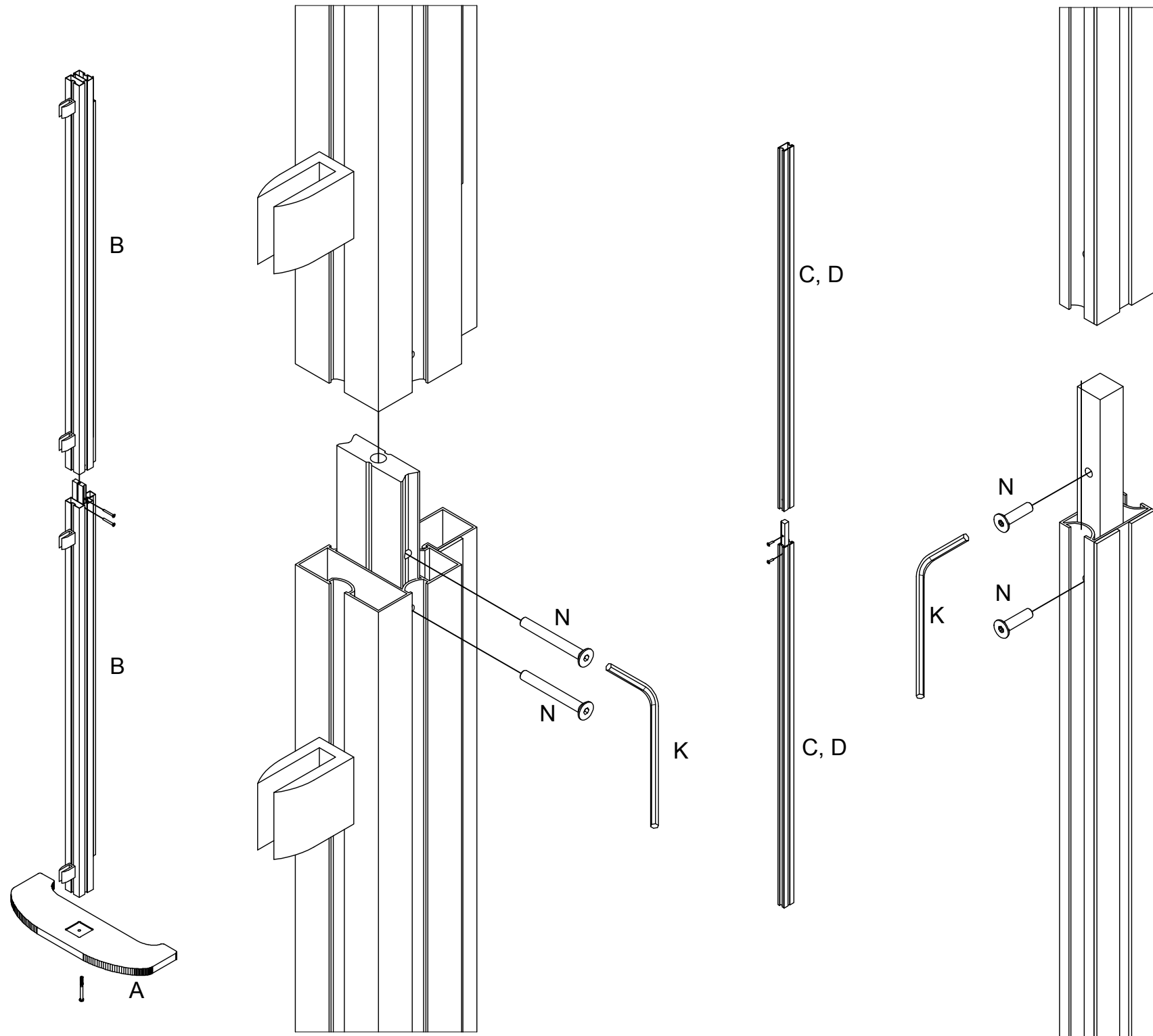
Date: 8/19/2015

Drawn By:

Project Title

Sheet Title

Assembly Instructions
StratoSpace



StratoSpace Assembly

Attach the two Stratospace feet (part A) to two S44 uprights (part B) using the allen key (part K) to connect beams of the same profile (parts B, C, and D) together. Connect B to B to create the left and right uprights. Connect C to C to make the top and bottom horizontal beams. Connect D to D at the M1 and M2 joints to make the two center uprights. This will result in two beams of S44 totalling 88", two beams of Z33 totalling 84", and two beams of Z33 totalling 81.5".



Expo Displays

3401 Mary Taylor Road
Birmingham, Alabama 35235
(205) 439-8200

Job #

Date: 8/19/2015

Drawn By:

Project Title

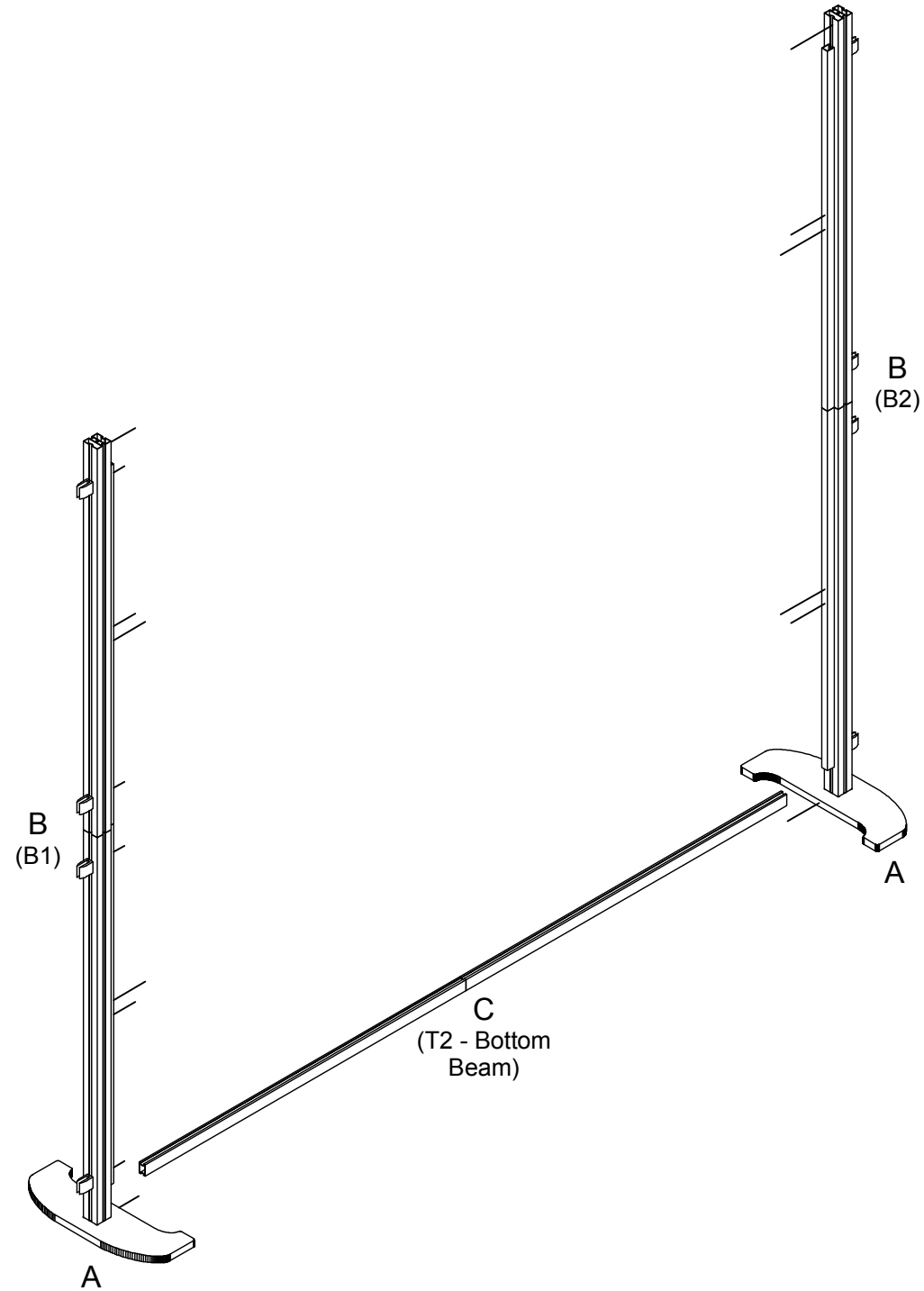
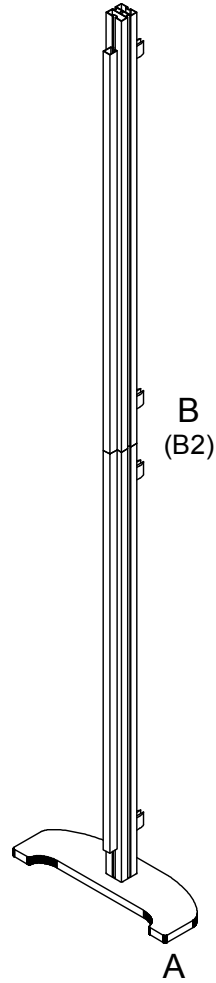
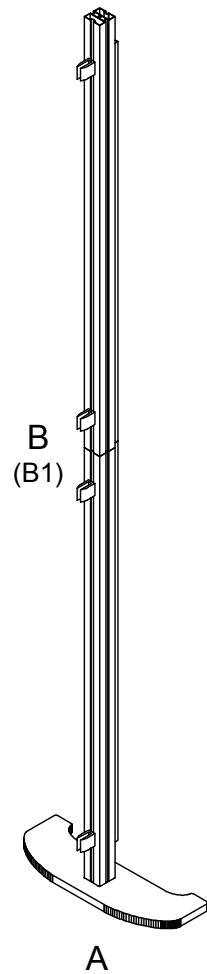
Sheet Title

Assembly Instructions
StratoSpace

StratoSpace Assembly

Stand the two beams of S44 (part B) upright, approximately seven feet apart.

Connect the two using part C using the allen key. Place part C two inches from the top of the foot.



Expo EXPO Displays

3401 Mary Taylor Road
Birmingham, Alabama 35235
(205) 439-8200

Job #

Date: 8/19/2015

Drawn By:

Project Title

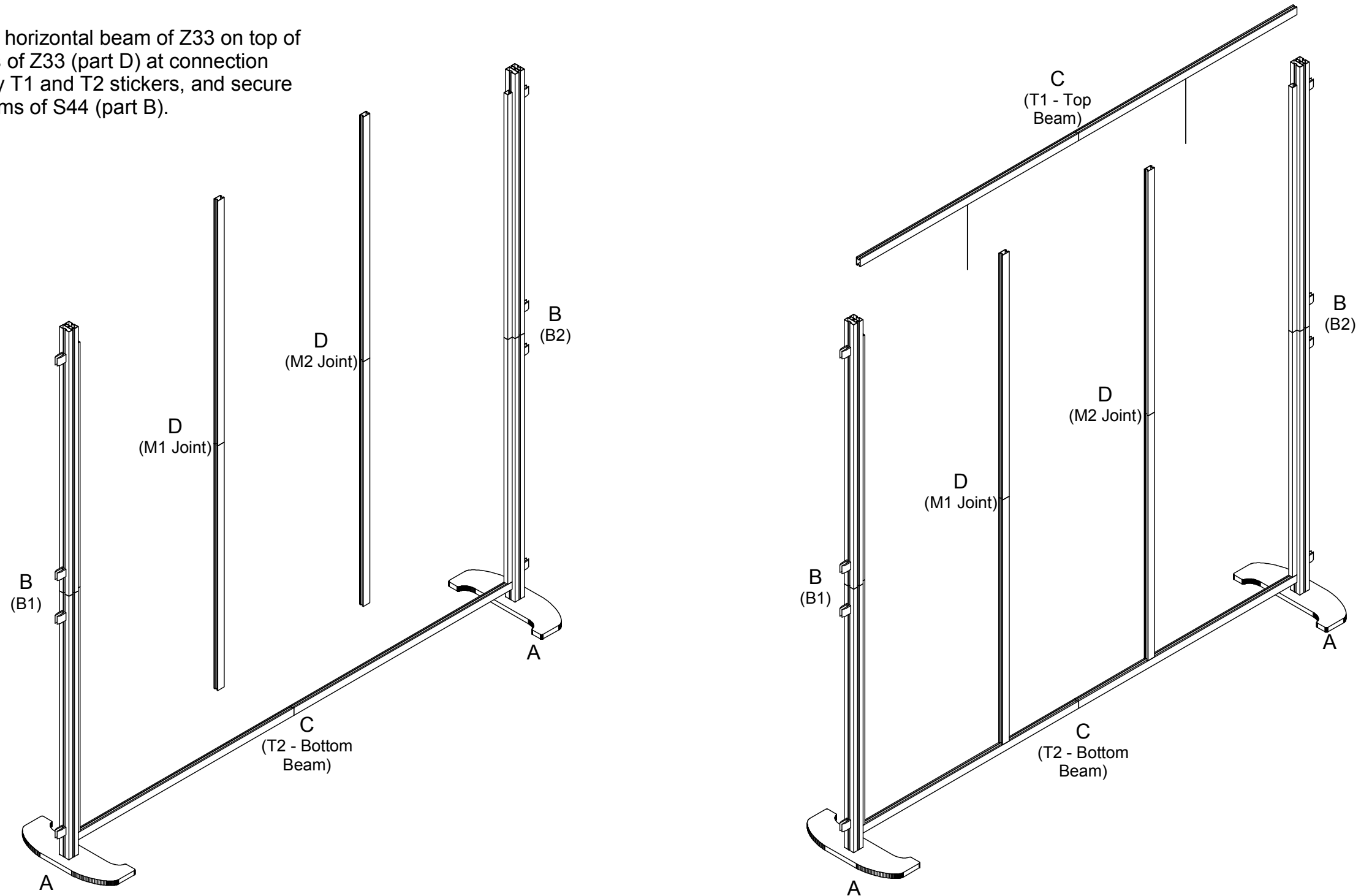
Sheet Title

Assembly Instructions
StratoSpace

StratoSpace Assembly

Connect the vertical beams of Z33 (part D) to the horizontal beam of Z33 (part C). The midpoint of the vertical beams should be placed 14 inches away from the center of part C, indicated by B1 and B2 stickers.

Attach the second horizontal beam of Z33 on top of the vertical beams of Z33 (part D) at connection points indicated by T1 and T2 stickers, and secure to the vertical beams of S44 (part B).



Expo **EXPO** Displays

3401 Mary Taylor Road
Birmingham, Alabama 35235
(205) 439-8200

Job #

Date: 8/19/2015

Drawn By:

Project Title

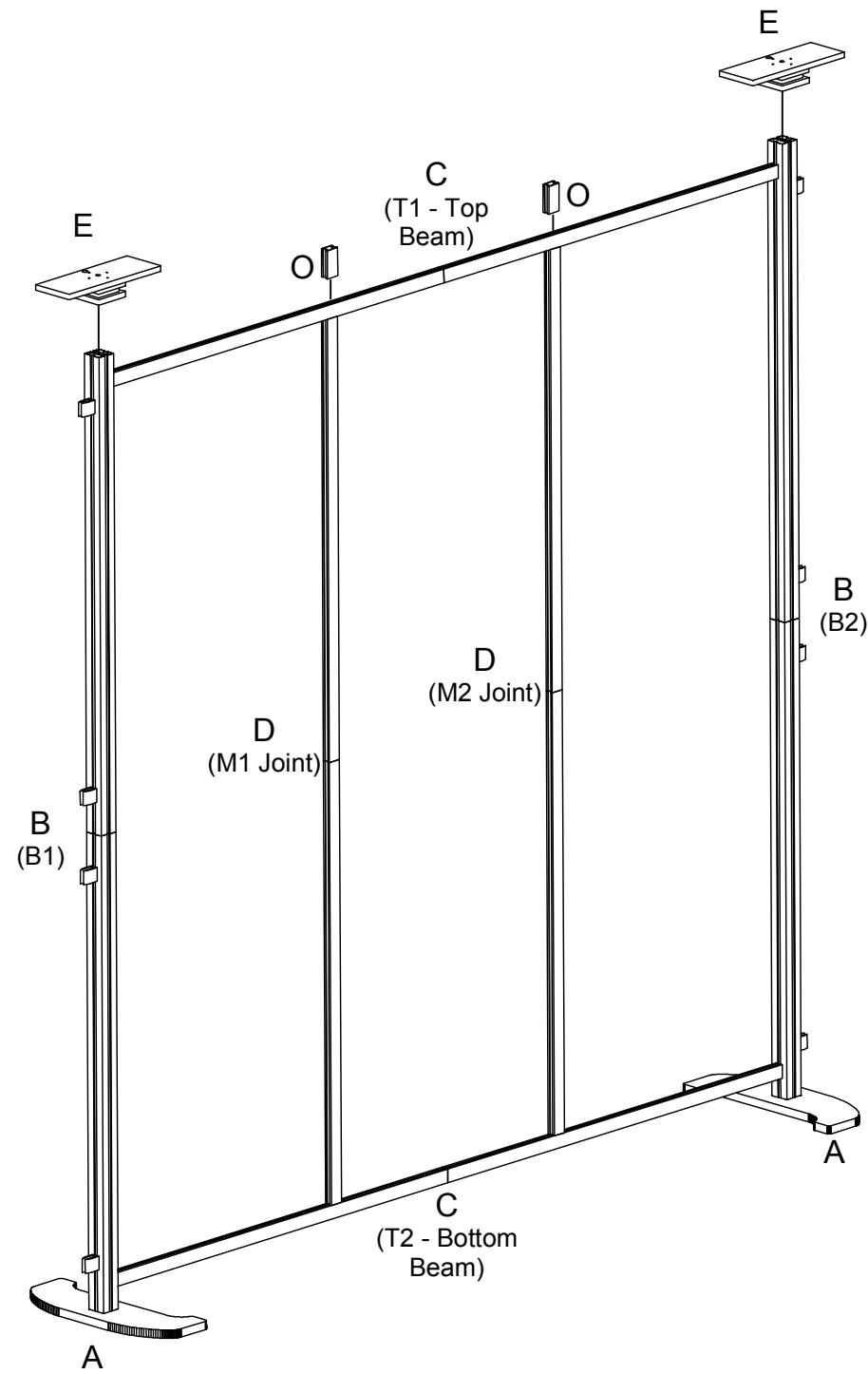
Sheet Title

Assembly Instructions
StratoSpace

StratoSpace Assembly

Place the canopy supports (part E) on top of the S44 upright (part B).

Place the metal canopy supports (part O) on top of the Z33 horizontal (part C).



Expo EXPO Displays

3401 Mary Taylor Road
Birmingham, Alabama 35235
(205) 439-8200

Job #

Date: 8/19/2015

Drawn By:

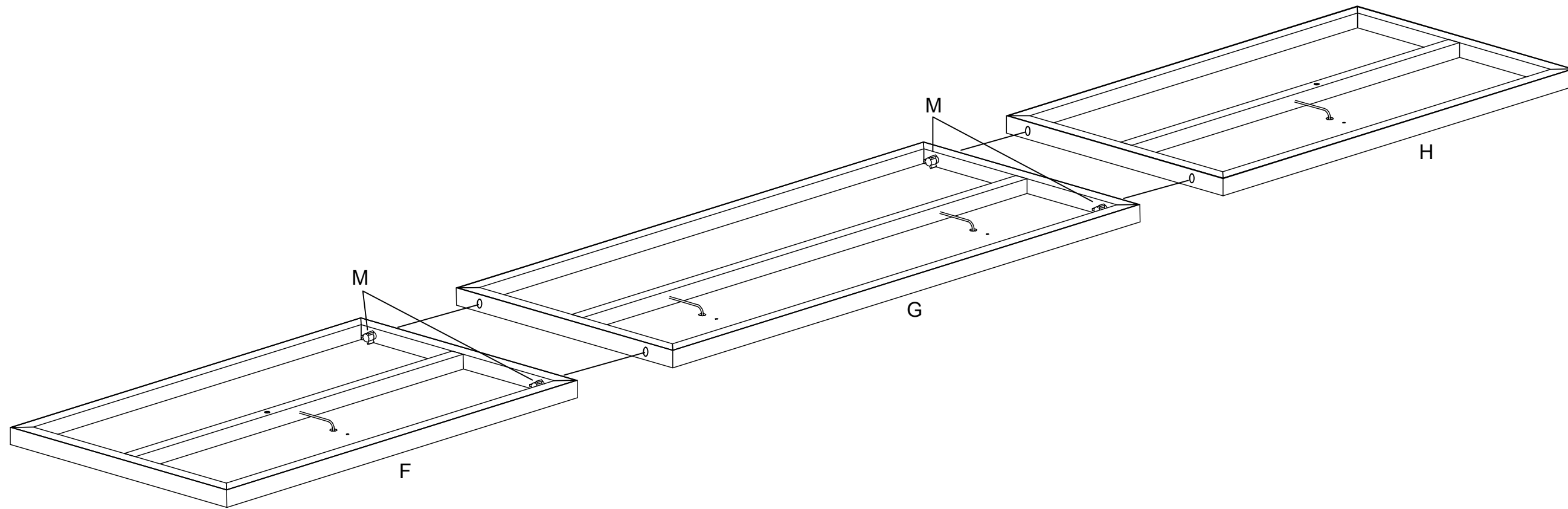
Project Title

Sheet Title

Assembly Instructions
StratoSpace

StratoSpace Assembly

Connect the left, center, and right canopies (parts F, G, and H, respectively) together using black thumbscrews (part M).



Expo EXPO Displays

3401 Mary Taylor Road
Birmingham, Alabama 35235
(205) 439-8200

Job #

Date: 8/19/2015

Drawn By:

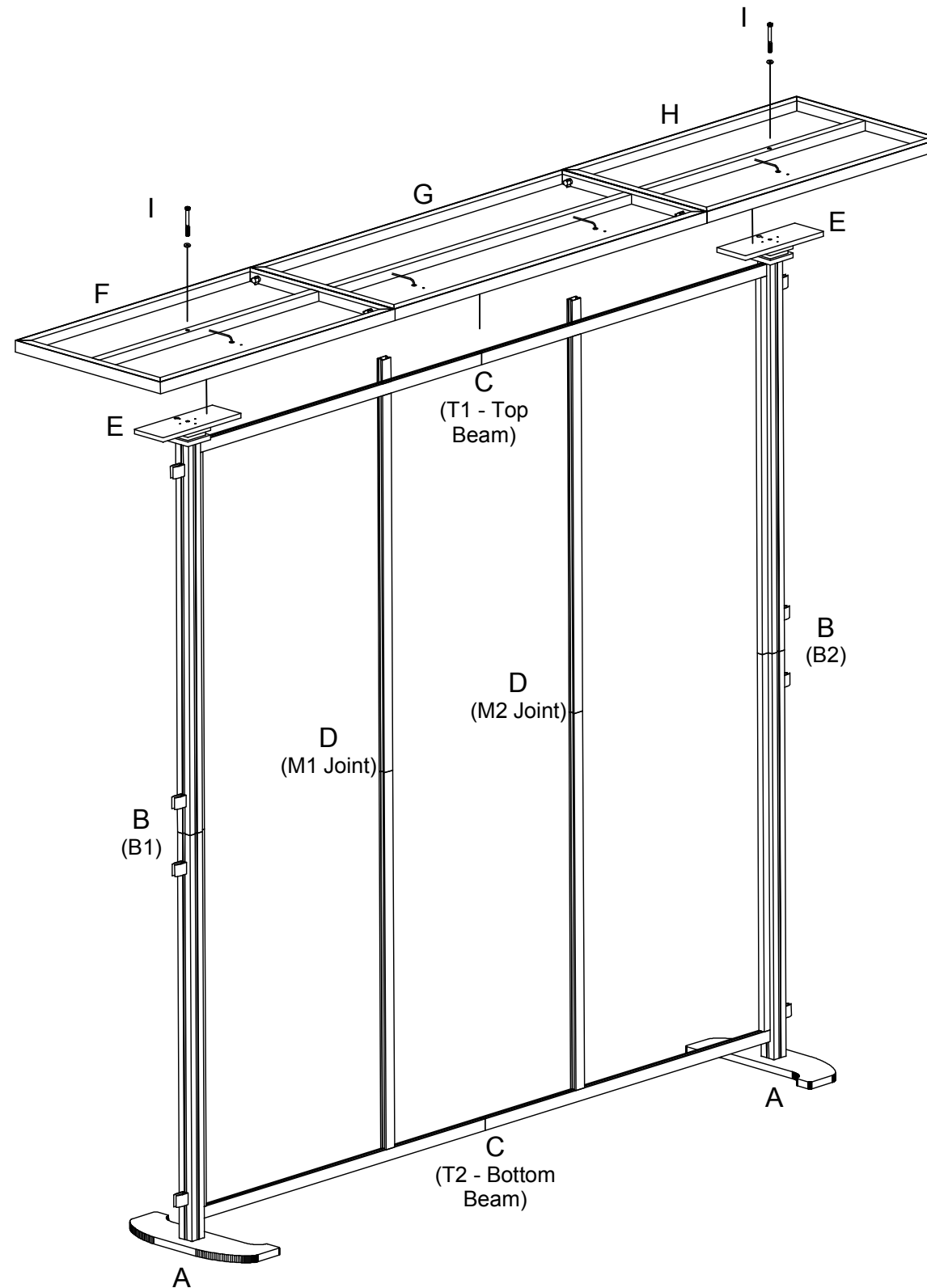
Project Title

Sheet Title

Assembly Instructions
StratoSpace

StratoSpace Assembly

Attach the left, center, and right canopies (parts F, G, and H, respectively) to the top of the assembly using the Hafele bolts and washers (part I). They will go through the canopy supports (part E), and into a threaded insert inside the S44 upright (part B).



Expo **EXPO** Displays

3401 Mary Taylor Road
Birmingham, Alabama 35235
(205) 439-8200

Job #

Date: 8/19/2015

Drawn By:

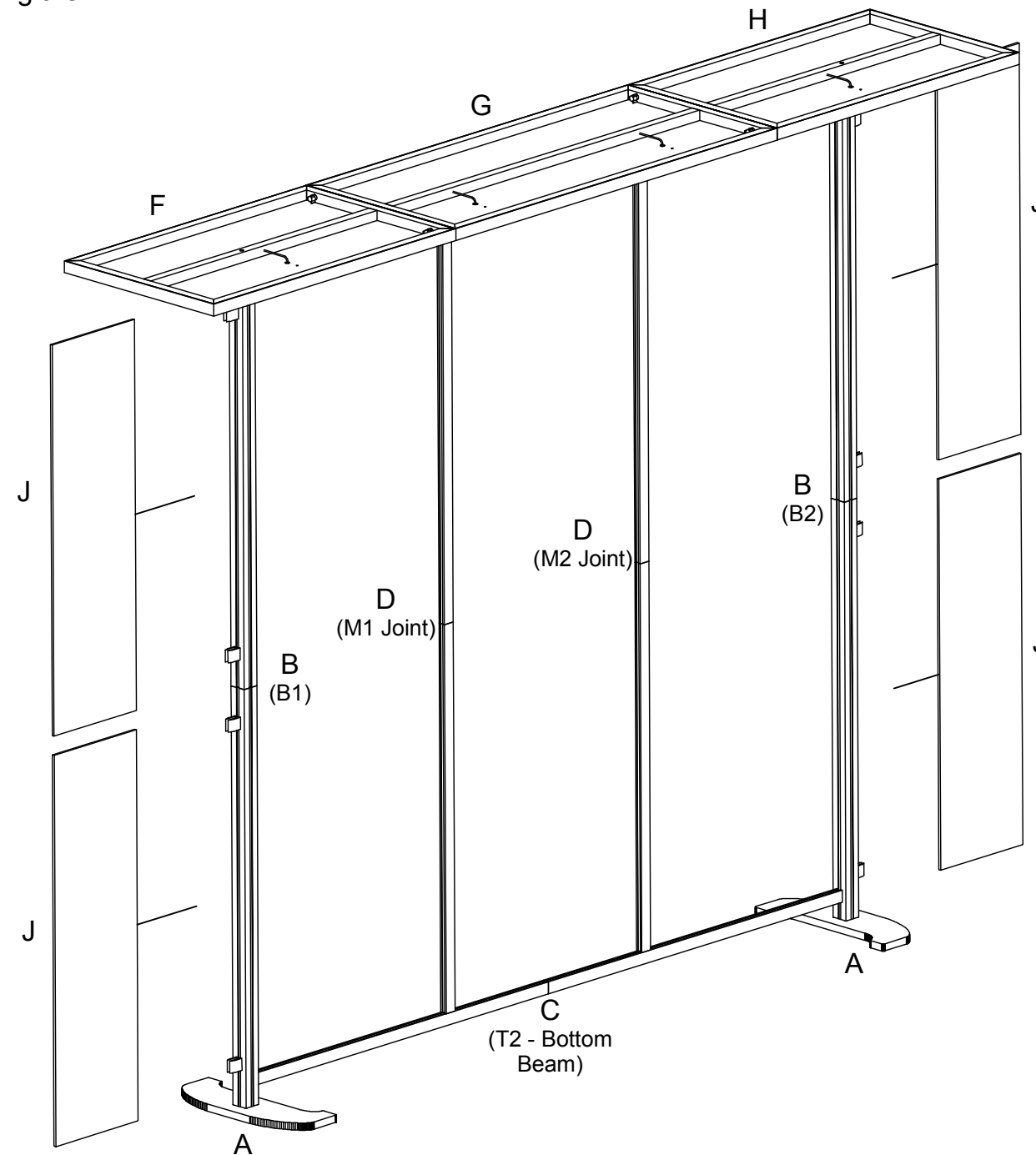
Project Title

Sheet Title

Assembly Instructions
StratoSpace

StratoSpace Assembly

Attach the graphic wings (part J) to the S44 beams (part B), using the clamps that are run along the grooves of the beams.



Expo EXPO Displays

3401 Mary Taylor Road
Birmingham, Alabama 35235
(205) 439-8200

Job #

Date: 8/19/2015

Drawn By:

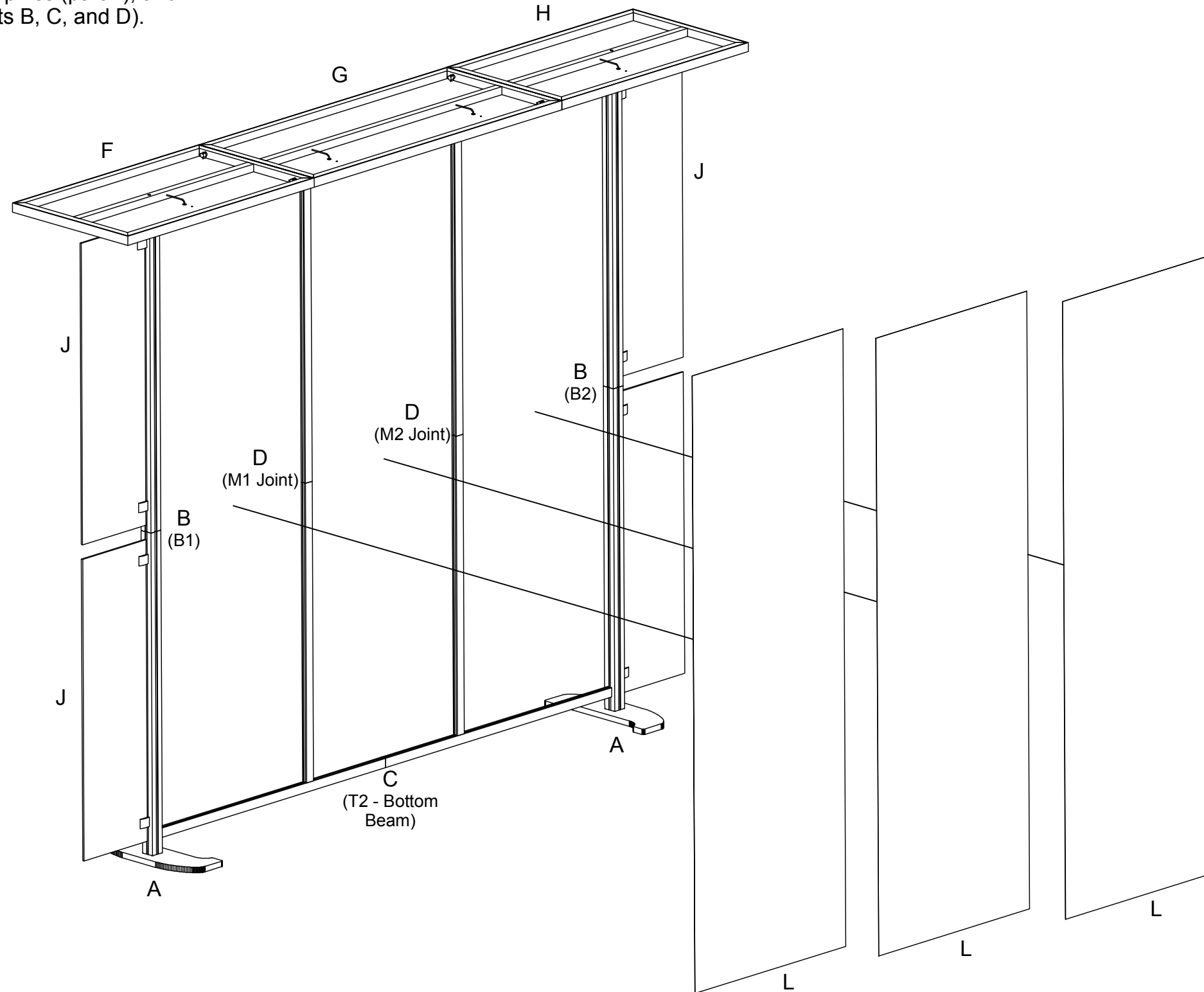
Project Title

Sheet Title

Assembly Instructions
StratoSpace

StratoSpace Assembly

Unroll the rollable graphics (part L), and attach to beams (parts B, C, and D).



Expo Displays

3401 Mary Taylor Road
Birmingham, Alabama 35235
(205) 439-8200

Job #

Date: 8/19/2015

Drawn By:

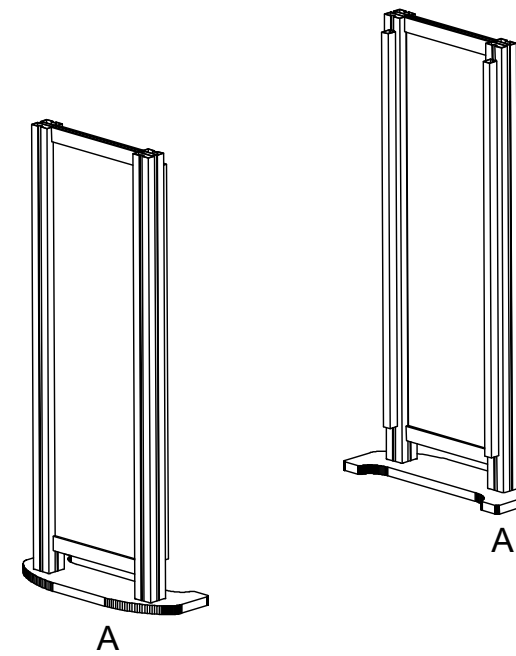
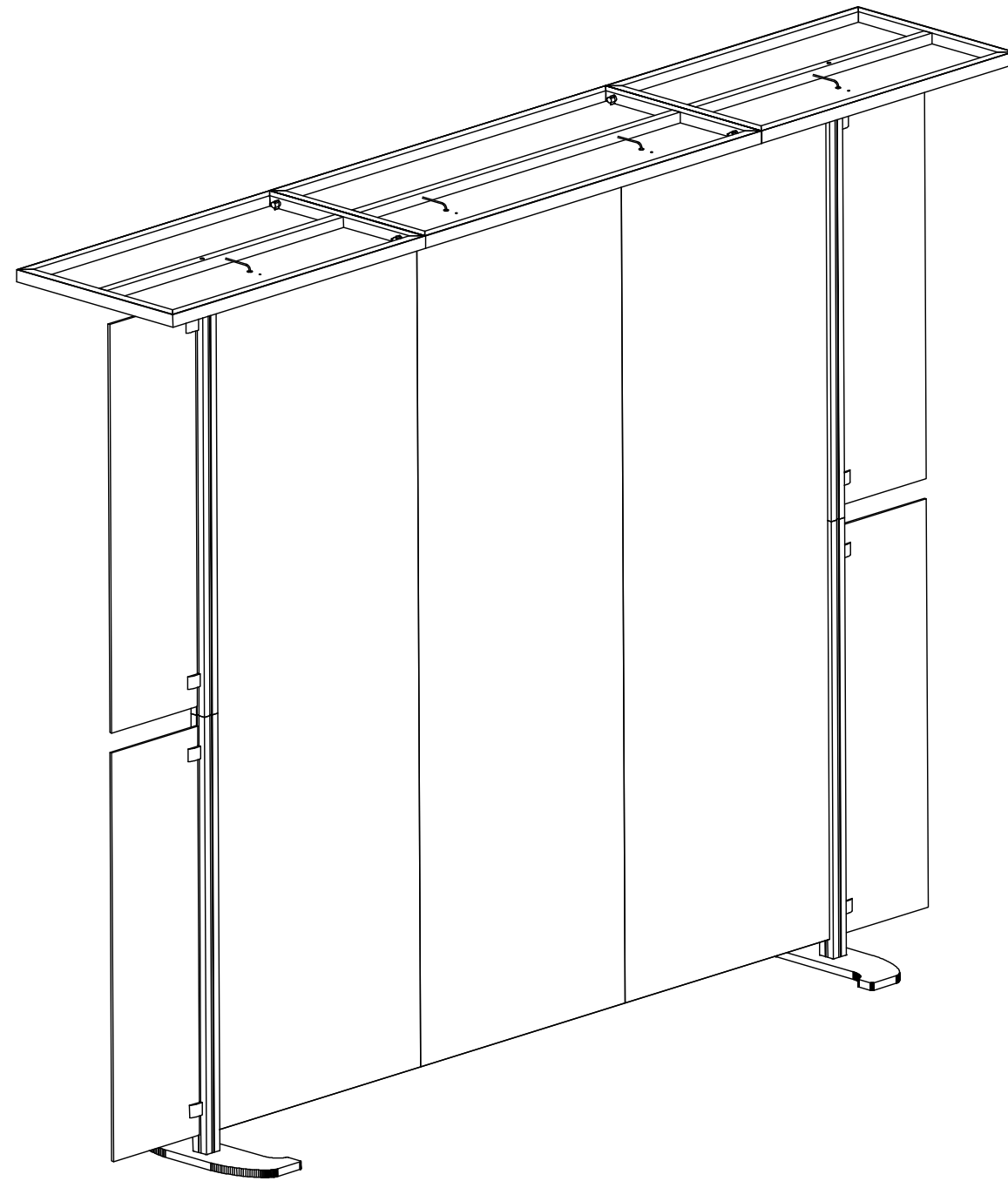
Project Title

Sheet Title

Assembly Instructions
StratoSpace

StratoSpace Podium Assembly

Place the S44 legs (part A) upright, approximately three feet apart.



Expo  **Displays**

3401 Mary Taylor Road
Birmingham, Alabama 35235
(205) 439-8200

Job #

Date: 8/19/2015

Drawn By:

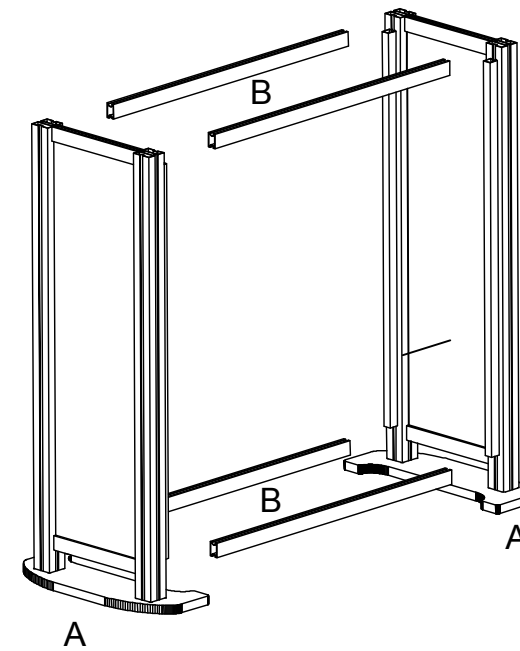
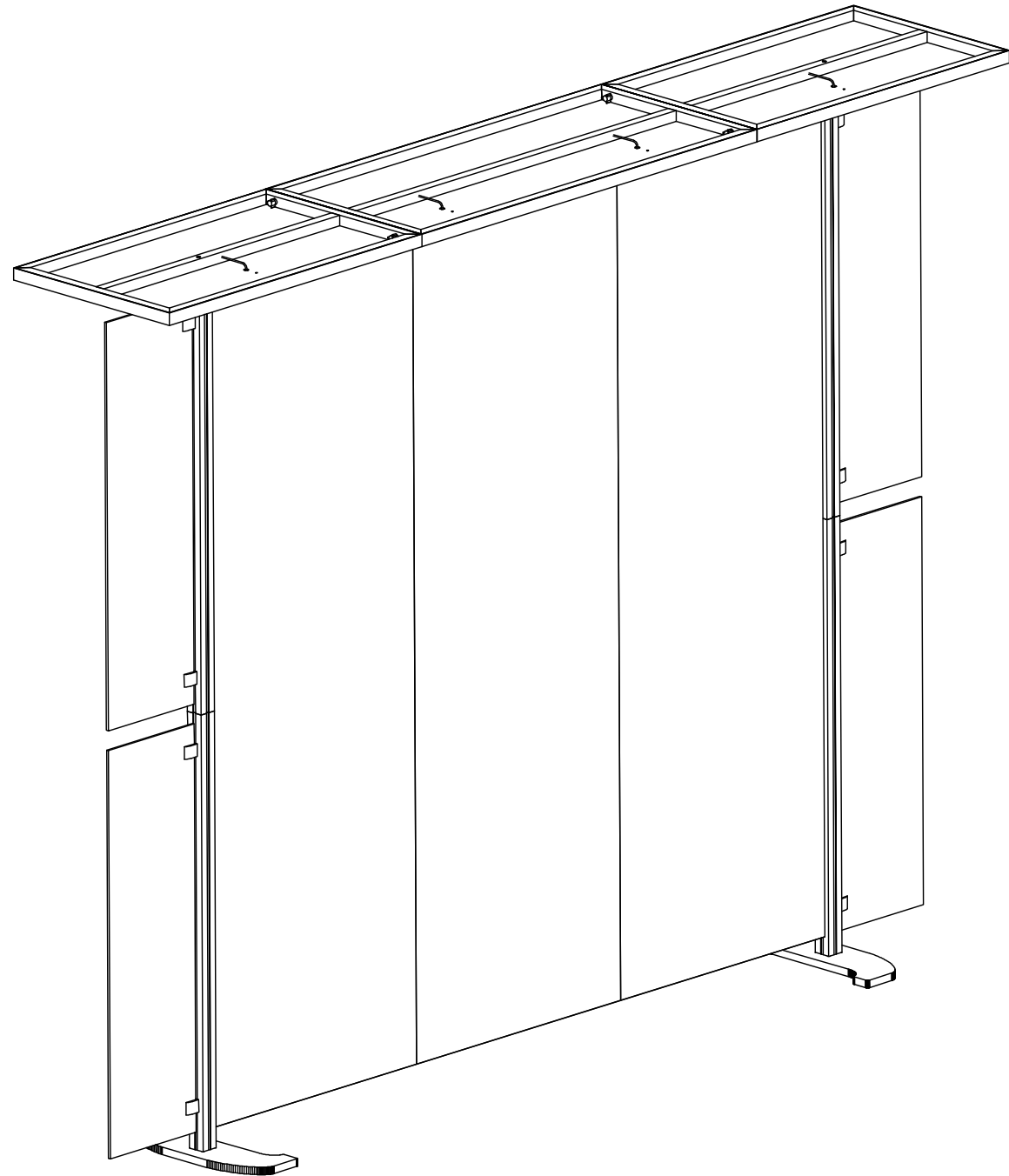
Project Title

Sheet Title

Assembly Instructions
StratoSpace

StratoSpace Podium Assembly

Connect the S44 legs (part A) using the 28" Z33 horizontals (part B).



Expo  **Displays**

3401 Mary Taylor Road
Birmingham, Alabama 35235
(205) 439-8200

Job #

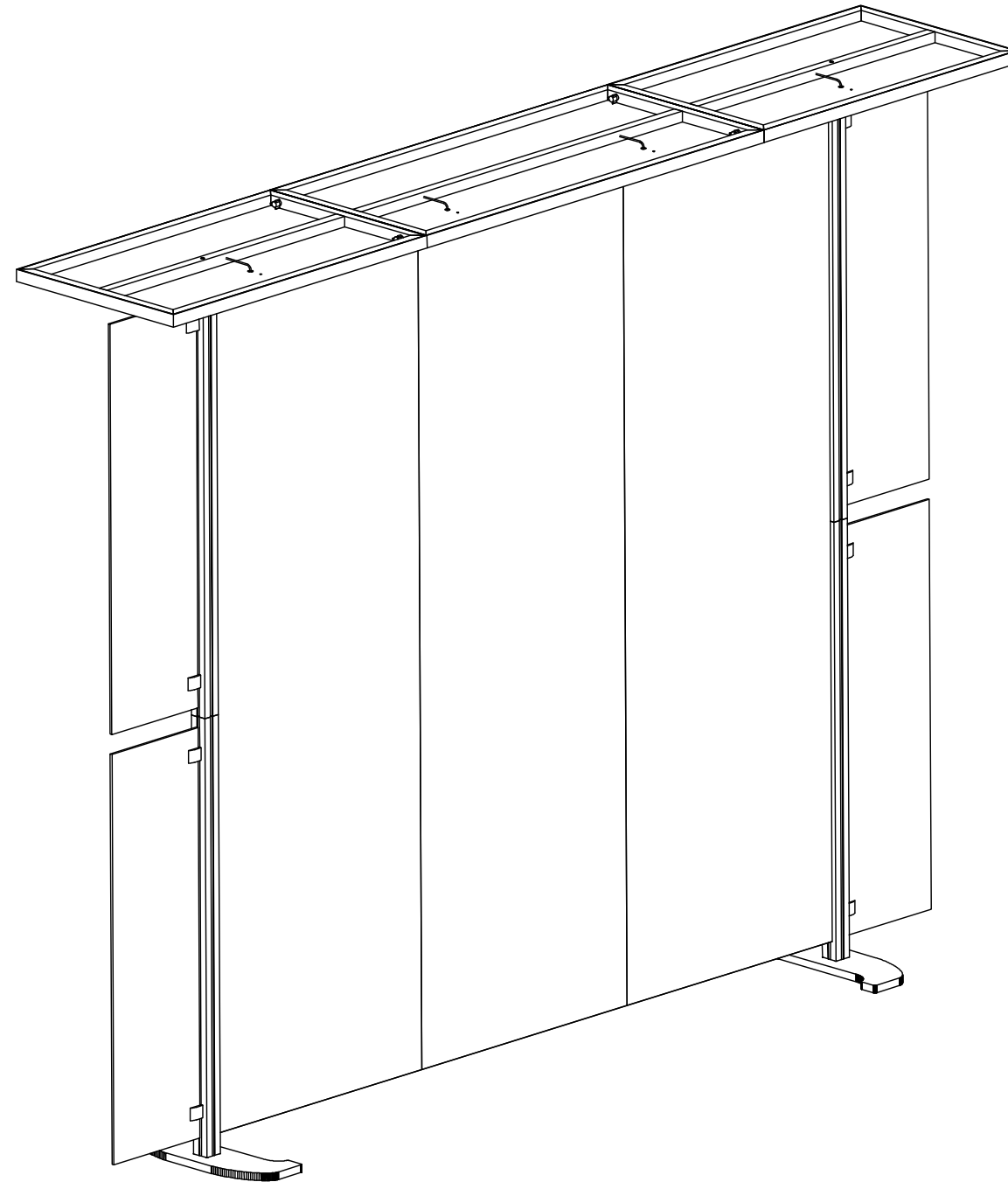
Date: 8/19/2015

Drawn By:

Project Title

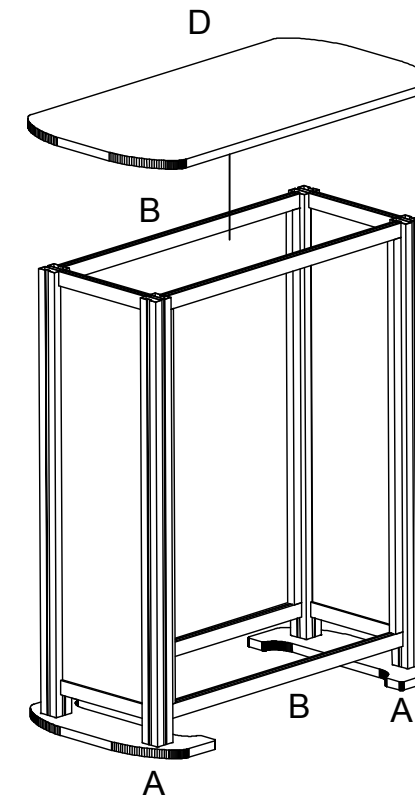
Sheet Title

Assembly Instructions
StratoSpace



StratoSpace Podium Assembly

Place the podium countertop (part F) on top of the assembly.



Expo EXPO Displays

3401 Mary Taylor Road
Birmingham, Alabama 35235
(205) 439-8200

Job #

Date: 8/19/2015

Drawn By:

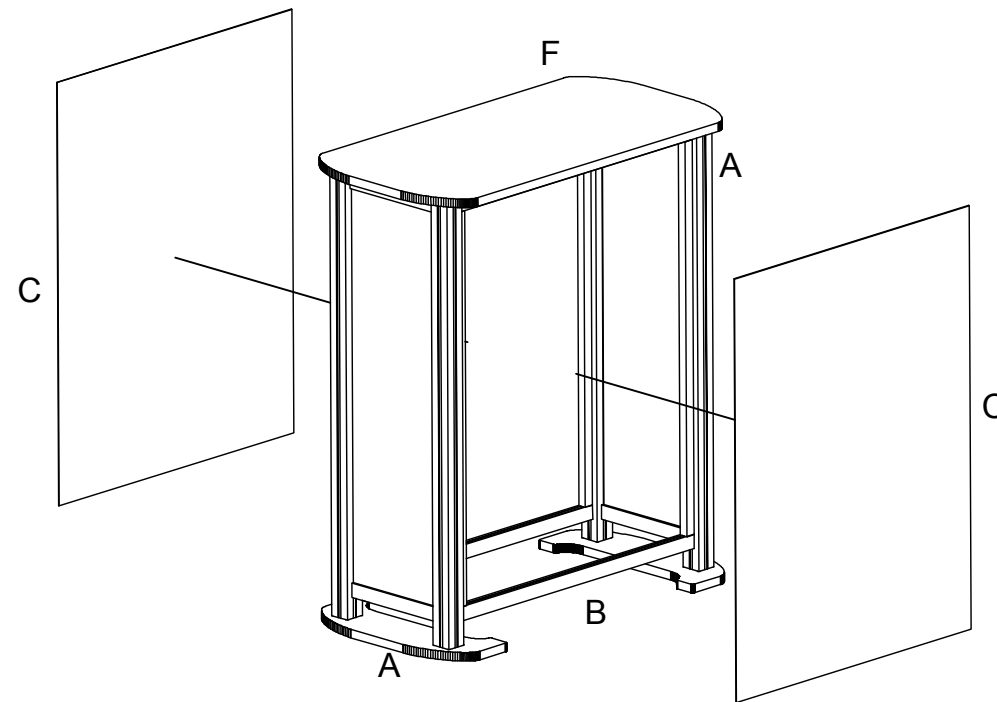
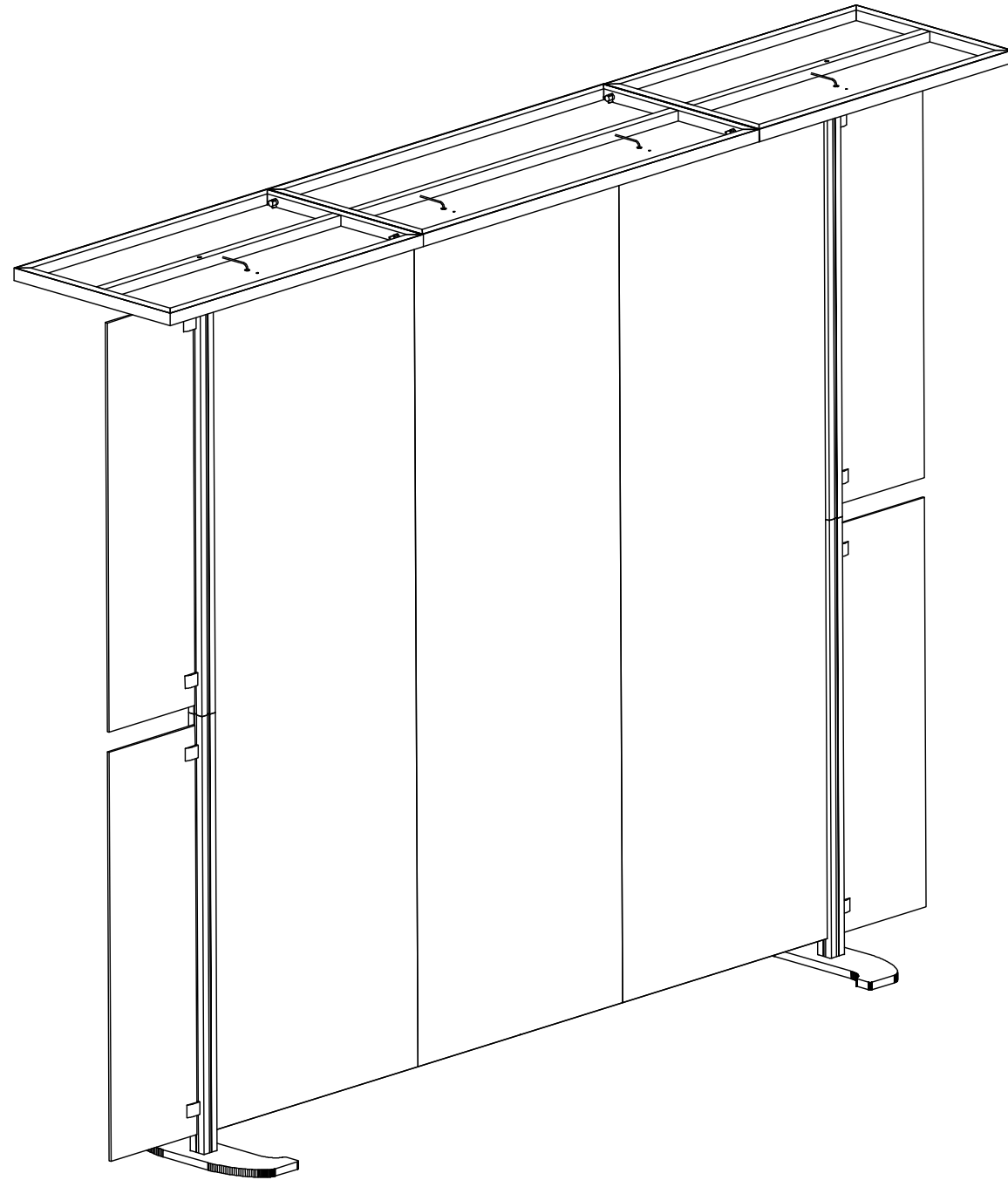
Project Title

Sheet Title

Assembly Instructions
StratoSpace

StratoSpace Podium Assembly

Place the sintra graphics (part C) onto the beams (parts A and B).



Expo Displays

3401 Mary Taylor Road
Birmingham, Alabama 35235
(205) 439-8200

Job #

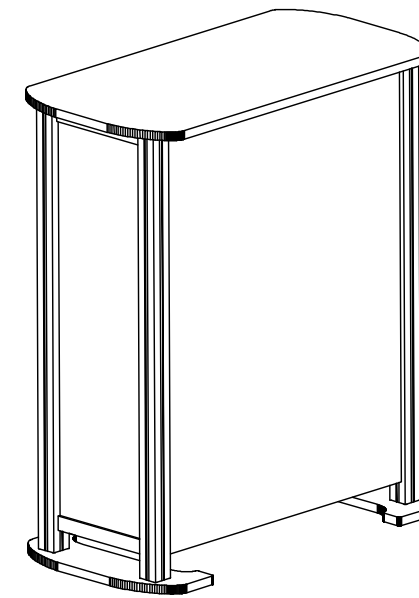
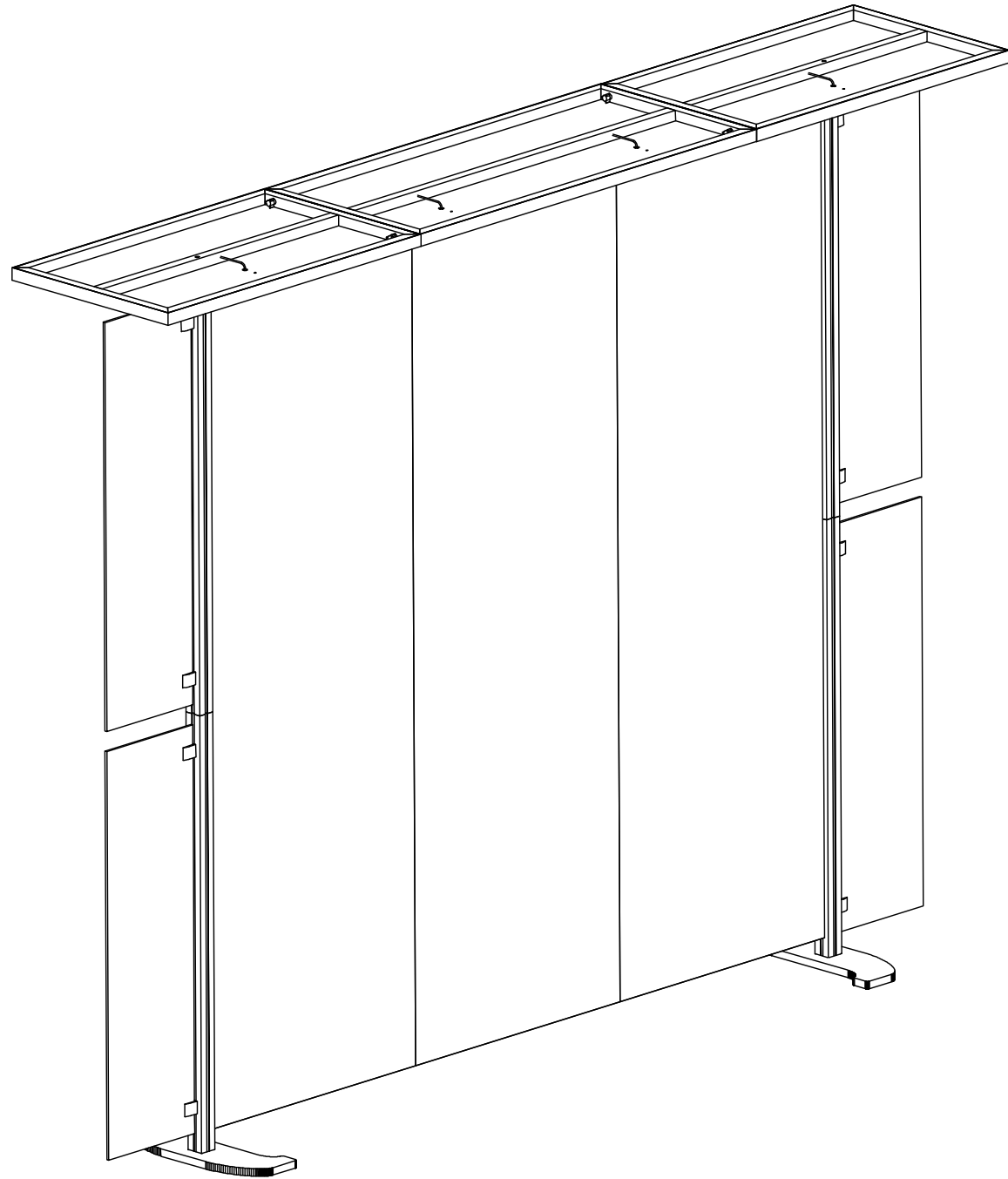
Date: 8/19/2015

Drawn By:

Project Title

Sheet Title

Assembly Instructions
StratoSpace



Expo EXPO Displays

3401 Mary Taylor Road
Birmingham, Alabama 35235
(205) 439-8200

Job #

Date: 8/19/2015

Drawn By:

Project Title

Sheet Title

Assembly Instructions
StratoSpace