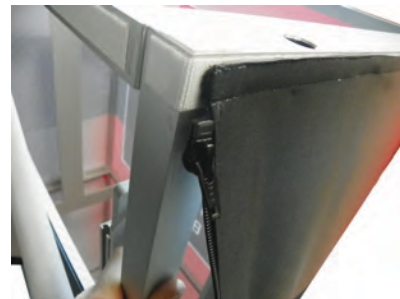


PARTS LIST		
QNTY	LABEL	NAME
2	TH-B2VF	TH - BOTTOM 2 VERTICAL FRAME
2	TH-T2VF	TH - TOP 2 VERTICAL FRAME
1	TH-B1HF	TH - BOTTOM 1 HORIZONTAL FRAME
1	TH-T1HF	TH - TOP 1 HORIZONTAL FRAME
1	23-MHF	23 - MIDDLE HORIZONTAL FRAME

## FABRIC GRAPHIC APPLICATION

### 1st Step)

APPLY TOP CORNER WITH VELCRO AND ZIPPER TO TOP CORNER OF FRAME



### 2nd Step)

USING EVEN PRESSURE, CONTINUE CONNECTING TOP OF GRAPHIC WITH VELCRO ALONG TOP OF FRAME CONTAINING VELCRO



### 3rd Step)

AFTER GRAPHIC VELCRO IS APPLIED AROUND ENTIRE TOP OF FRAME, CONNECT ZIPPER AND ZIPPER GRAPHIC DOWN CORNER



### 4th Step)

PULL BOTTOM OF GRAPHIC DOWN ON EACH CORNER TO EVEN OUT SURFACE, AND REDUCE ANY WRINKLES

### 1st Step)

START WITH CONNECTING BOTTOM HORIZONTAL FRAME WITH BOTTOM VERTICAL FRAMES

### 2nd Step)

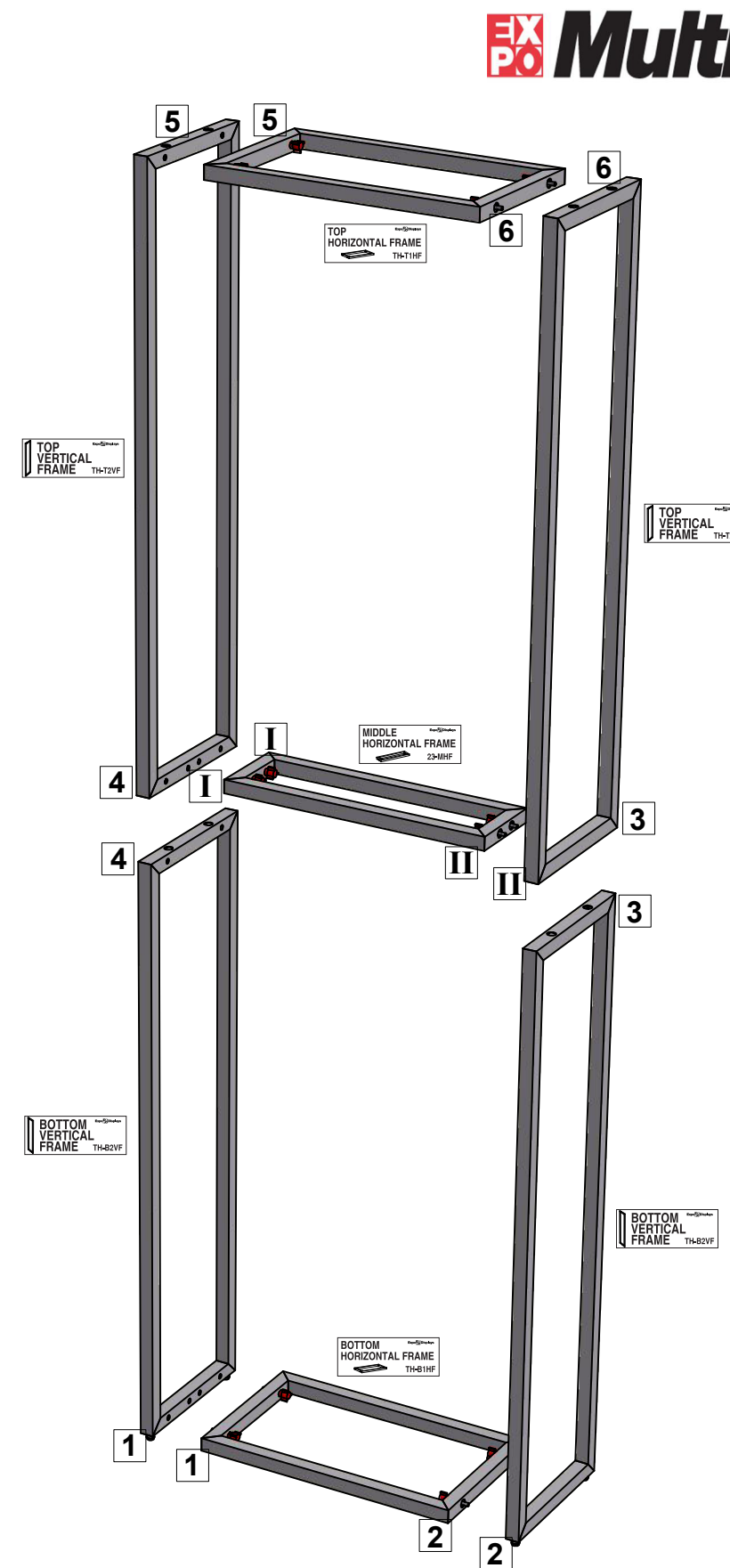
ATTACH THE TOP VERTICAL FRAMES TO TOP OF PREVIOUSLY CONSTRUCTED BOTTOM VERTICAL FRAMES

### 3rd Step)

ATTACH THE TOP HORIZONTAL FRAME TO SIDES OF PREVIOUSLY CONSTRUCTED TOP VERTICAL FRAMES

### 4th Step)

ATTACH THE MIDDLE HORIZONTAL FRAME TO BOTTOM OF (2) TOP VERTICAL FRAMES.



\*MATCH NUMBERS TO CONSTRUCT

**EXPO MultiQuad**  
An ExpoDisplays Product



**Expo Displays**

3401 Mary Taylor Road  
Birmingham, Alabama 35235  
(205) 439-8200

Drawn By: JW

THIS PART USED TO MAKE  
**TH-F14**  
1x4 STANDARD THREADS

**ASSEMBLY INSTRUCTIONS**  
EXPO DISPLAYS - THREADS  
TH-F14 ASSEMBLY

APPENDIX TH14