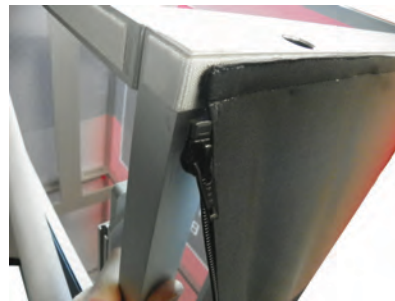


PARTS LIST		
QNTY	LABEL	NAME
2	TH-B2VF	TH - BOTTOM 2 VERTICAL FRAME
2	TH-T2VF	TH - TOP 2 VERTICAL FRAME
1	TH-B2HF	TH - BOTTOM 2 HORIZONTAL FRAME
1	TH-T2HF	TH - TOP 2 HORIZONTAL FRAME
1	46-MHF	46 - MIDDLE HORIZONTAL FRAME

FABRIC GRAPHIC APPLICATION

1st Step)

APPLY TOP CORNER WITH VELCRO AND ZIPPER TO TOP CORNER OF FRAME



2nd Step)

USING EVEN PRESSURE, CONTINUE CONNECTING TOP OF GRAPHIC WITH VELCRO ALONG TOP OF FRAME CONTAINING VELCRO



3rd Step)

AFTER GRAPHIC VELCRO IS APPLIED AROUND ENTIRE TOP OF FRAME, CONNECT ZIPPER AND ZIPPER GRAPHIC DOWN CORNER



4th Step)

PULL BOTTOM OF GRAPHIC DOWN ON EACH CORNER TO EVEN OUT SURFACE, AND REDUCE ANY WRINKLES

1st Step)

START WITH CONNECTING BOTTOM HORIZONTAL FRAME WITH BOTTOM VERTICAL FRAMES

2nd Step)

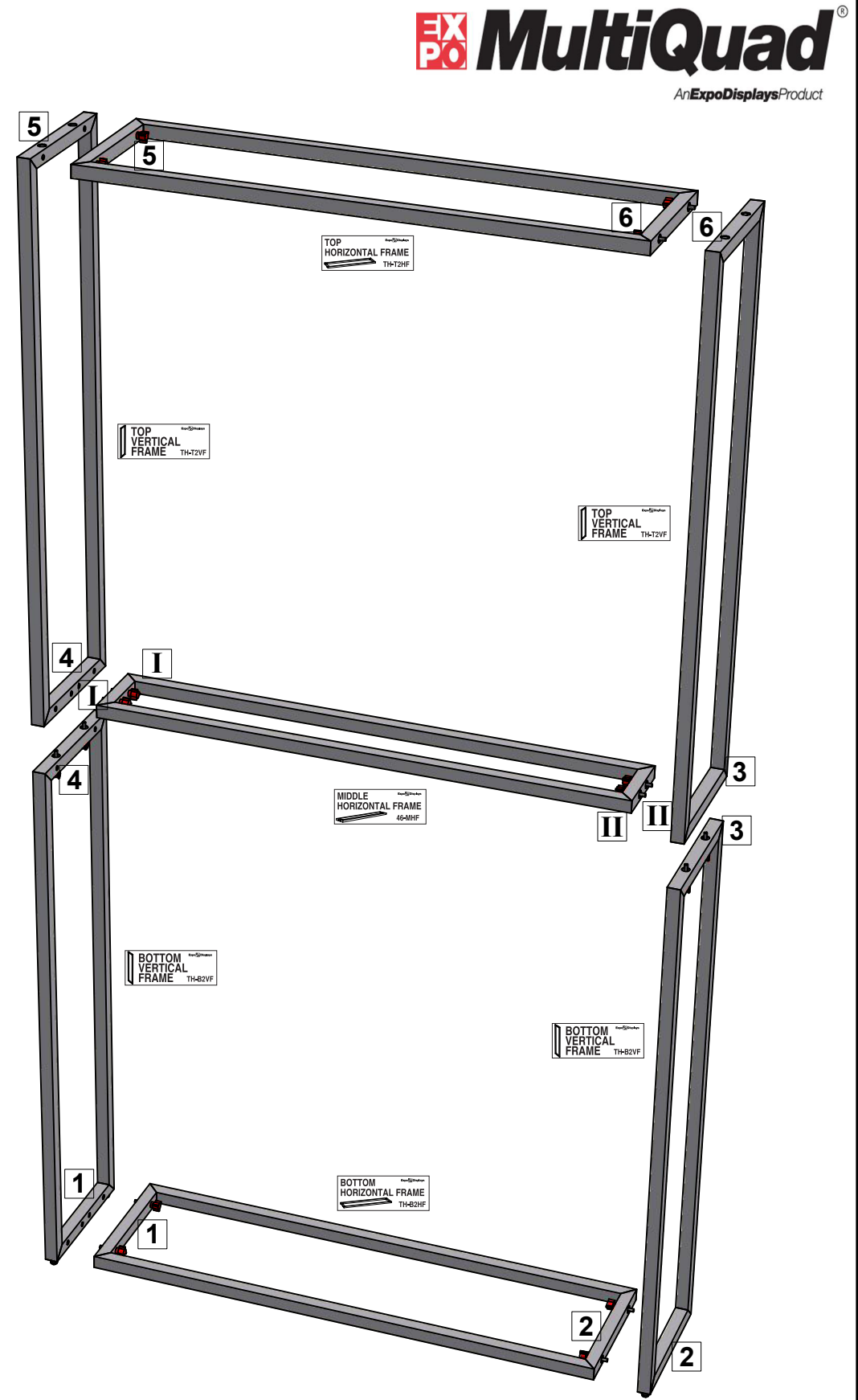
ATTACH THE TOP VERTICAL FRAMES TO TOP OF PREVIOUSLY CONSTRUCTED BOTTOM VERTICAL FRAMES

3rd Step)

ATTACH THE TOP HORIZONTAL FRAME TO SIDES OF PREVIOUSLY CONSTRUCTED TOP VERTICAL FRAMES

4th Step)

ATTACH THE MIDDLE HORIZONTAL FRAME TO BOTTOM OF (2) TOP VERTICAL FRAMES



*MATCH NUMBERS TO CONSTRUCT



Expo Displays

3401 Mary Taylor Road
Birmingham, Alabama 35235
(205) 439-8200

Drawn By: JW

THIS PART USED TO MAKE
TH-F24
2x4 STANDARD THREADS

ASSEMBLY
INSTRUCTIONS
EXPO DISPLAYS - THREADS
TH-F24 ASSEMBLY

APPENDIX TH24