

PARTS LIST		
QNTY	LABEL	NAME
2	TH-P2VF	TH - POD2 VERTICAL FRAME
1	TH-B1HF	TH - BOTTOM 1 HORIZONTAL FRAME
1	TH-T1HF	TH - TOP 1 HORIZONTAL FRAME
1	CT1223	COUNTER-TOP 12X23
1	1223SHELF	PLASTIC SHELF 12X23



**FABRIC GRAPHIC APPLICATION**

**1st Step)**

APPLY TOP CORNER WITH VELCRO AND ZIPPER TO TOP CORNER OF FRAME



**2nd Step)**

USING EVEN PRESSURE, CONTINUE CONNECTING TOP OF GRAPHIC WITH VELCRO ALONG TOP OF FRAME CONTAINING VELCRO



**3rd Step)**

AFTER GRAPHIC VELCRO IS APPLIED AROUND ENTIRE TOP OF FRAME, CONNECT ZIPPER AND ZIPPER GRAPHIC DOWN CORNER



**4th Step)**

PULL BOTTOM OF GRAPHIC DOWN ON EACH CORNER TO EVEN OUT SURFACE, AND REDUCE ANY WRINKLES

**1st Step)**

START WITH CONNECTING POD2 VERTICAL FRAMES WITH BOTTOM HORIZONTAL & TOP HORIZONTAL FRAME

**2nd Step)**

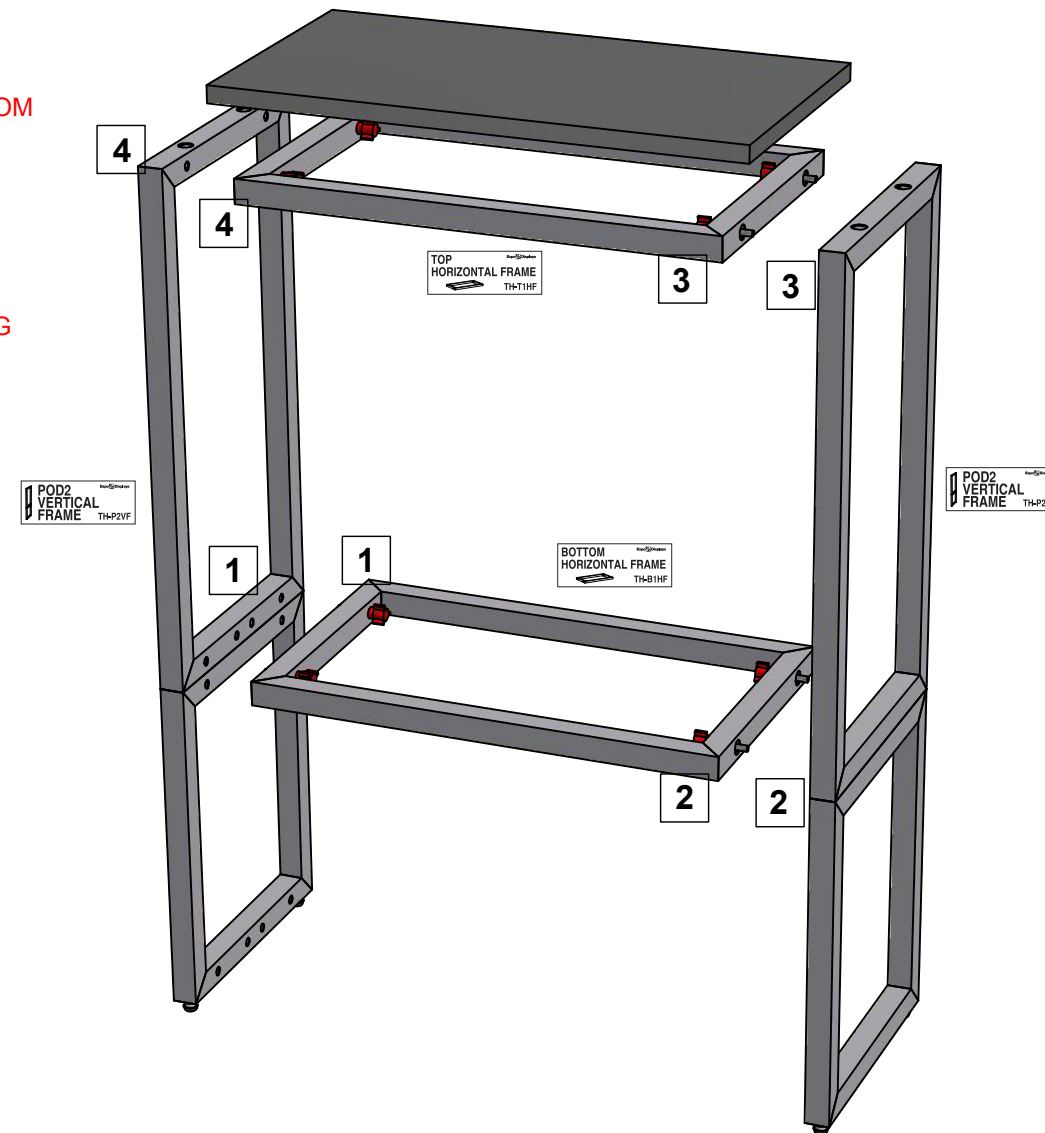
INSTALL PLASTIC SHELF TO TOP OF BOTTOM HORIZONTAL FRAME

**3rd Step)**

PLACE COUNTER-TOP ON TOP OF FRAMING

**4th Step)**

APPLY FABRIC GRAPHIC SLEEVE



\*MATCH NUMBERS TO CONSTRUCT

THIS PART USED TO MAKE  
**TH-POD2**  
1x1 STANDARD THREADS PODIUM 2

**ASSEMBLY INSTRUCTIONS**  
EXPO DISPLAYS - THREADS  
TH-POD2 ASSEMBLY