

PARTS LIST		
QNTY	LABEL	NAME
2	THX-P1VF	THX - POD1 VERTICAL FRAME
1	THX-B1HF	THX - BOTTOM 1 HORIZONTAL FRAME
1	THX-T1HF	THX - TOP 1 HORIZONTAL FRAME
1	CT2323	COUNTER-TOP 23X23
1	2323SHELF	PLASTIC SHELF 23X23



Expo Displays

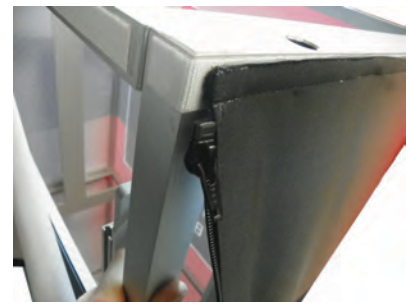
3401 Mary Taylor Road
Birmingham, Alabama 35235
(205) 439-8200

Drawn By: JW

FABRIC GRAPHIC APPLICATION

1st Step)

APPLY TOP CORNER WITH VELCRO AND ZIPPER TO TOP CORNER OF FRAME



2nd Step)

USING EVEN PRESSURE, CONTINUE CONNECTING TOP OF GRAPHIC WITH VELCRO ALONG TOP OF FRAME CONTAINING VELCRO



3rd Step)

AFTER GRAPHIC VELCRO IS APPLIED AROUND ENTIRE TOP OF FRAME, CONNECT ZIPPER AND ZIPPER GRAPHIC DOWN CORNER



4th Step)

PULL BOTTOM OF GRAPHIC DOWN ON EACH CORNER TO EVEN OUT SURFACE, AND REDUCE ANY WRINKLES

1st Step)

START WITH CONNECTING POD1 VERTICAL FRAMES WITH BOTTOM HORIZONTAL & TOP HORIZONTAL FRAME

2nd Step)

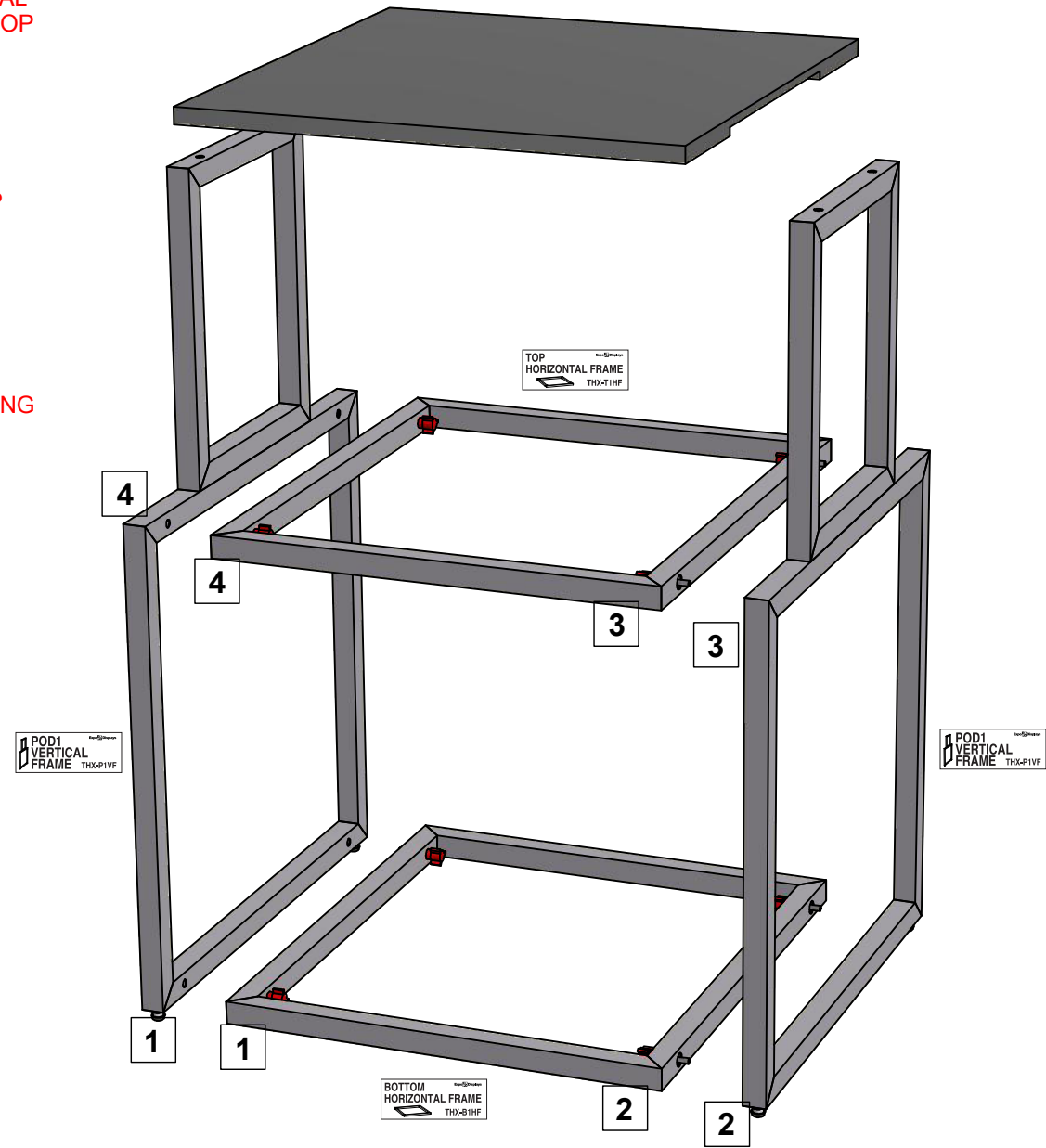
INSTALL PLASTIC SHELF TO TOP OF TOP HORIZONTAL FRAME

3rd Step)

PLACE COUNTER-TOP ON TOP OF FRAMING

4th Step)

APPLY FABRIC GRAPHIC SLEEVE



*MATCH NUMBERS TO CONSTRUCT

THIS PART USED TO MAKE
THX-POD1
1x1 MAX THREADS PODIUM 1

ASSEMBLY INSTRUCTIONS
EXPO DISPLAYS - THREADS
THX-POD1 ASSEMBLY