

PARTS LIST		
QNTY	LABEL	NAME
2	THX-T1VF	THX - TOP 1 VERTICAL FRAME
1	THX-B1HF	THX - BOTTOM 1 HORIZONTAL FRAME
1	THX-T1HF	THX - TOP 1 HORIZONTAL FRAME
1	SC2323	SEAT CUSHION 23X23

### FABRIC GRAPHIC APPLICATION

#### 1st Step)

APPLY TOP CORNER WITH VELCRO AND ZIPPER TO TOP CORNER OF FRAME



#### 2nd Step)

USING EVEN PRESSURE, CONTINUE CONNECTING TOP OF GRAPHIC WITH VELCRO ALONG TOP OF FRAME CONTAINING VELCRO



#### 3rd Step)

AFTER GRAPHIC VELCRO IS APPLIED AROUND ENTIRE TOP OF FRAME, CONNECT ZIPPER AND ZIPPER GRAPHIC DOWN CORNER



#### 4th Step)

PULL BOTTOM OF GRAPHIC DOWN ON EACH CORNER TO EVEN OUT SURFACE, AND REDUCE ANY WRINKLES

#### 1st Step)

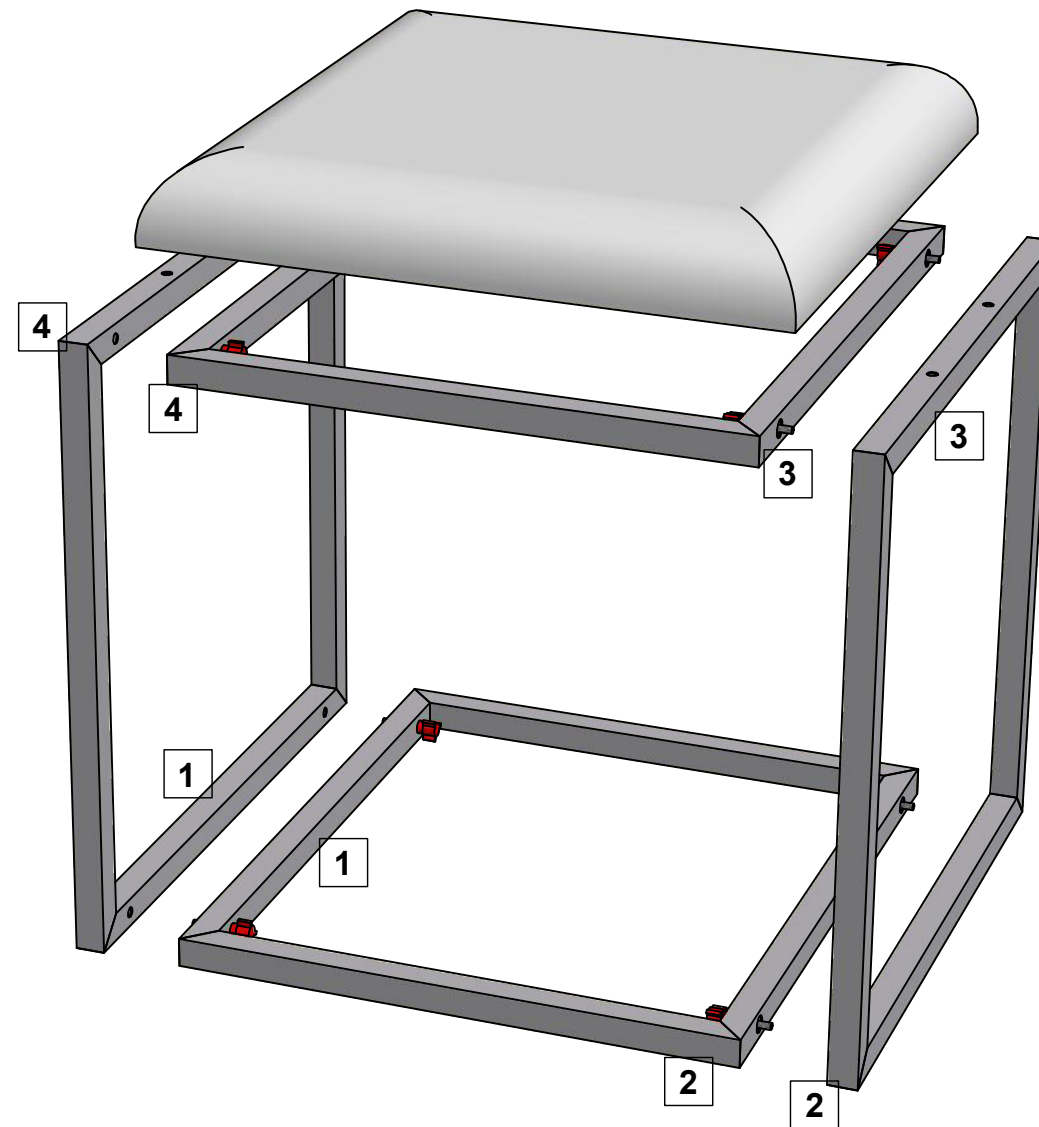
START WITH CONNECTING VERTICAL FRAMES WITH BOTTOM HORIZONTAL & TOP HORIZONTAL FRAME

#### 2nd Step)

PLACE SEAT CUSHION ON TOP OF FRAMING

#### 3rd Step)

APPLY FABRIC GRAPHIC SLEEVE



\*MATCH NUMBERS TO CONSTRUCT



Expo **EXPO** Displays

3401 Mary Taylor Road  
Birmingham, Alabama 35235  
(205) 439-8200

Drawn By: JW

THIS PART USED TO MAKE  
**THX-SEAT**  
1x1 MAX THREADS SEAT

**ASSEMBLY INSTRUCTIONS**  
EXPO DISPLAYS - THREADS  
THX-SEAT ASSEMBLY

APNDX THXSEAT