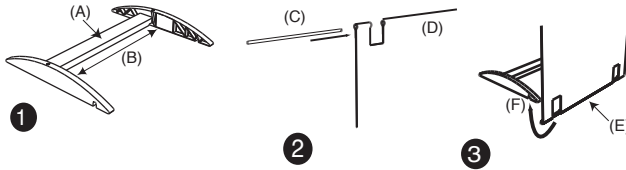
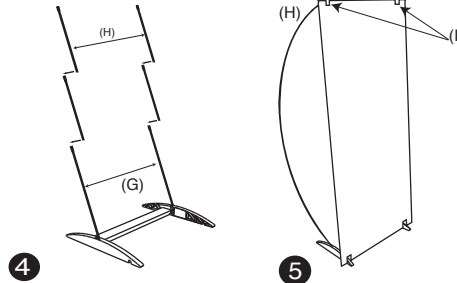


EXPO **DiamondFlex100™**
An ExpoDisplays Product

- 1 Assemble center section (A) to base side members (B).
- 2 Insert the white banner rods (C) into the banner pockets (D) at the top and bottom of the banner.
- 3 Slide the bottom of the banner (E) into the notches under the base ends (F).

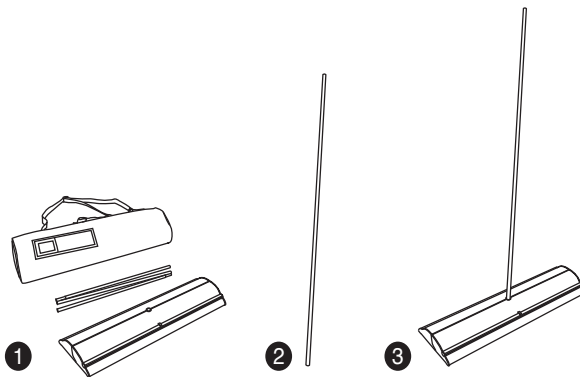


- 4 Insert the black support rods into to the base **starting with the longest rod (G) first**. The last rod inserted should be the support rod with the U-shaped connector (H).
- 5 Holding the top of the banner (I), clip the top support rod (H) to the top banner rod.



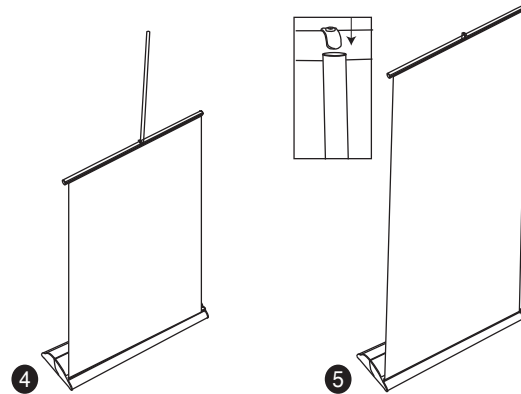
EXPO **DiamondFlex400™**
An ExpoDisplays Product

- 1 Remove base and rods from the carrying case.
- 2 The rods are already connected to each other; simply 'unfold' them and fit them into place making one rod.
- 3 Put the rod in the hole on the banner stand base.



EXPO **DiamondFlex447™**
An ExpoDisplays Product

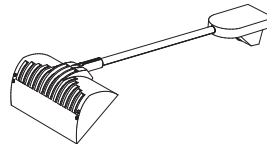
- 4 Pull the graphic straight up out of the hardware.
- 5 Hook the graphic to the top of the rod.
*On the DF800 there will be two graphics to pull out of the hardware and hook into place



EXPO **DiamondFlex800™**
An ExpoDisplays Product

Light Assembly

Assemble banner stand before attaching the light.



EXPO **DiamondFlex100™**
An ExpoDisplays Product

The DF100 light kit (LF101K) comes in two pieces, the adapter support bar (DFLA1) and the light (LF101). The adapter support bar, with a center protruding piece, attaches to the banner stand by snapping to the two tension poles on the back side of the banner stand. Make sure the protruding piece is facing up, and slide the adapter support bar to the top of tension poles. You will notice two small grooves on the base of the light. Use those grooves to connect the light to the adapter support bar by sliding it on to the protruding piece.

EXPO **DiamondFlex800™** **EXPO** **DiamondFlex447™**
An ExpoDisplays Product

EXPO **DiamondFlex400™**
An ExpoDisplays Product

The light kit (LF102K) for the retractable banner stands (DF400, 800 and 447) includes a light (LF101) and an adapter (DFLA2) that are already attached to one another. The adapter is the prong-like piece at the base of the light. To attach to the banner stand, simply slide the adapter on to the top of the three-piece support rod that holds up the banner stand.