

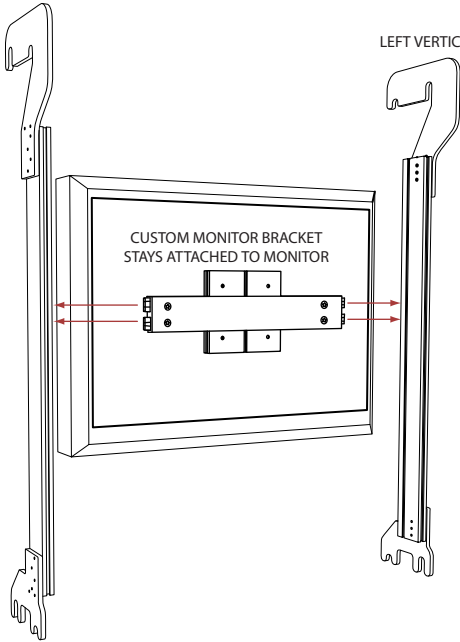
# POP-UP MONITOR MOUNT

ASSEMBLY INSTRUCTIONS

1. GENTLY LAY MONITOR ON A FLAT SURFACE, SCREEN DOWN.

RIGHT VERTICAL ARM

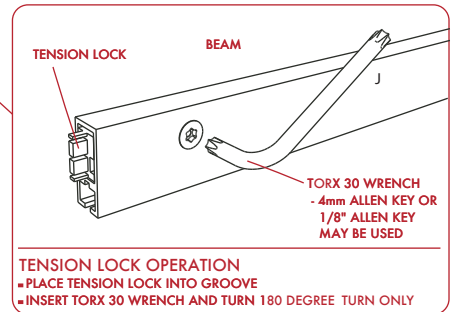
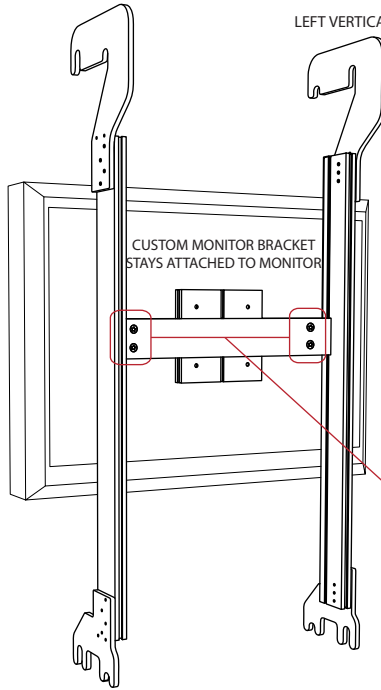
LEFT VERTICAL ARM



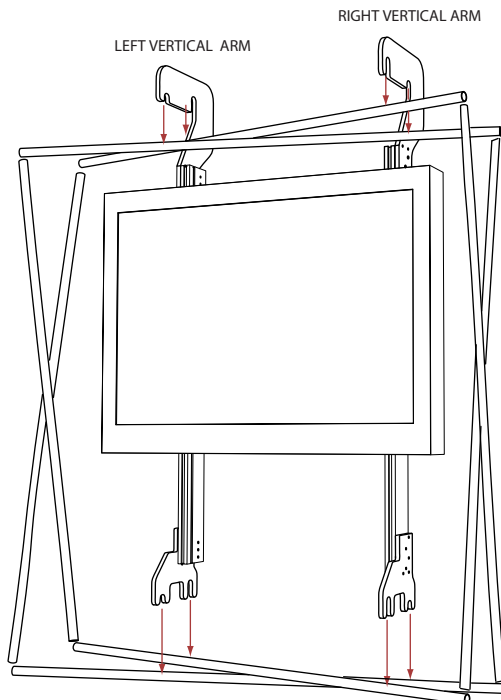
2. SECURELY LOCK THE FOUR LOCKS, TURN A FULL 180 DEGREES

RIGHT VERTICAL ARM

LEFT VERTICAL ARM



3. LINE THE MONITOR'S CENTER WITH THE CENTER PIVOT OF THE FRAME. THEN GENTLY HOOK THE UNIT OVER THE TOP BARS.



4. SECURE THE SYSTEM BY GENTLY PULLING THE UNIT DOWN ONTO ITS CORRESPONDING POINTS ALONG THE FRAME.

