

EXPOLIGHT CURVE ROUND TABLE ASSEMBLY



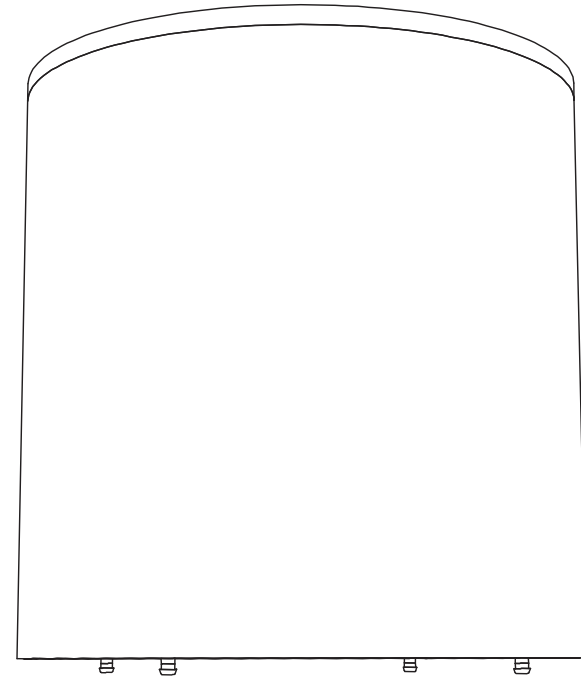
Expo EXPO Displays
A Division of Diamond Displays International

3401 Mary Taylor Road
Birmingham, Alabama 35235
(205) 439-8200

Drawn By: CASS

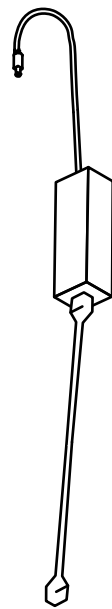
Project Title

Sheet Title

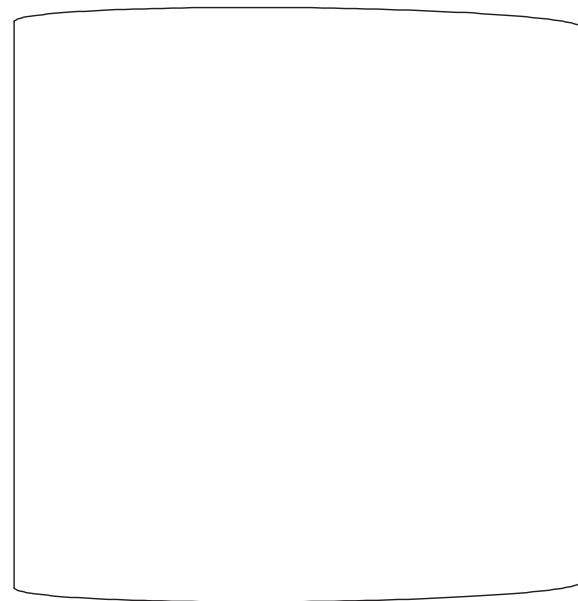


PARTS NEEDED :

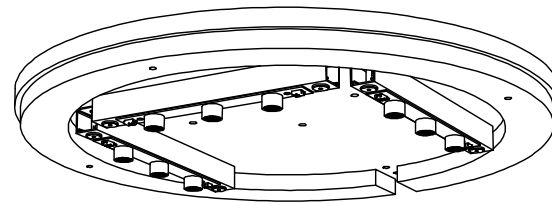
POWER CORD & TRANSFORMER



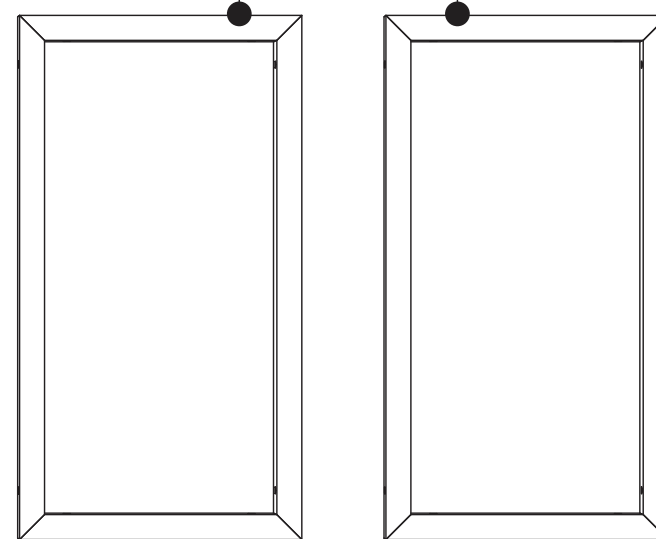
BACKLIT GRAPHIC



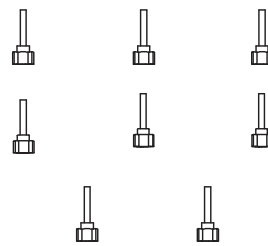
LIGHT BAR TOP



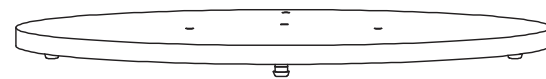
(2)
VERTICAL FRAME(S)



RED THUMBSCREWS



BOTTOM WITH FEET



**ASSEMBLY
INSTRUCTIONS**

**EXPOLIGHT®
ASSEMBLY**

EXPOLIGHT CURVE ROUND TABLE ASSEMBLY



Expo EXPO Displays
A Division of Diamond Displays International

3401 Mary Taylor Road
Birmingham, Alabama 35235
(205) 439-8200

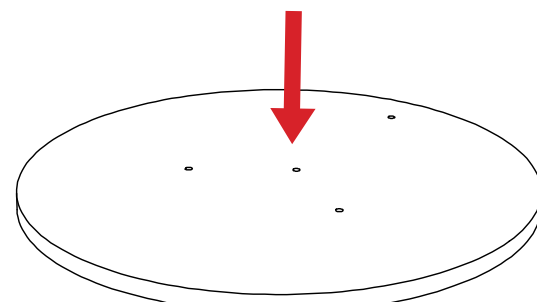
Drawn By: CASS

Project Title

Sheet Title

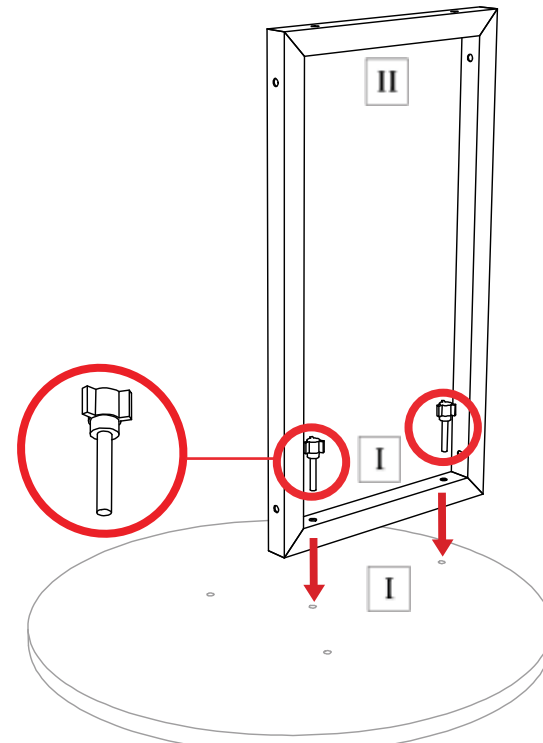
**ASSEMBLY
INSTRUCTIONS**

**EXPOLIGHT®
ASSEMBLY**



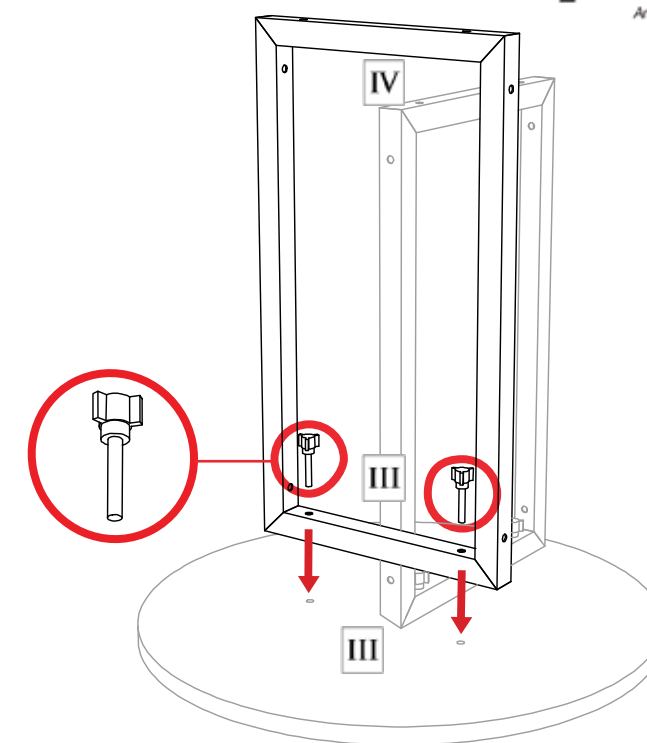
STEP 1

PLACE (1) **BOTTOM WITH FEET**
TOUCHING FLOOR



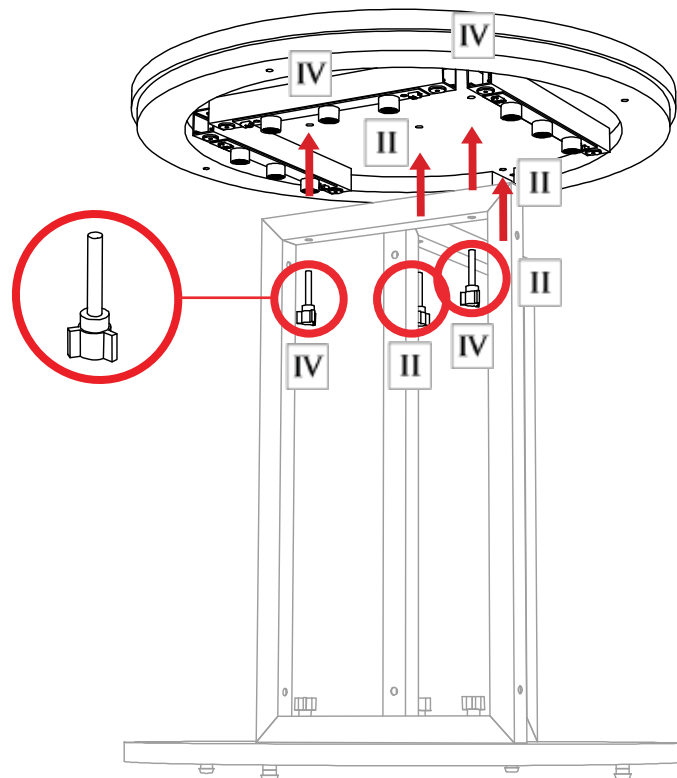
STEP 2

MATCH NUMBERS TO CONNECT
(1) **VERTICAL FRAME TO BOTTOM** WITH
(2) **RED THUMBSCREWS**



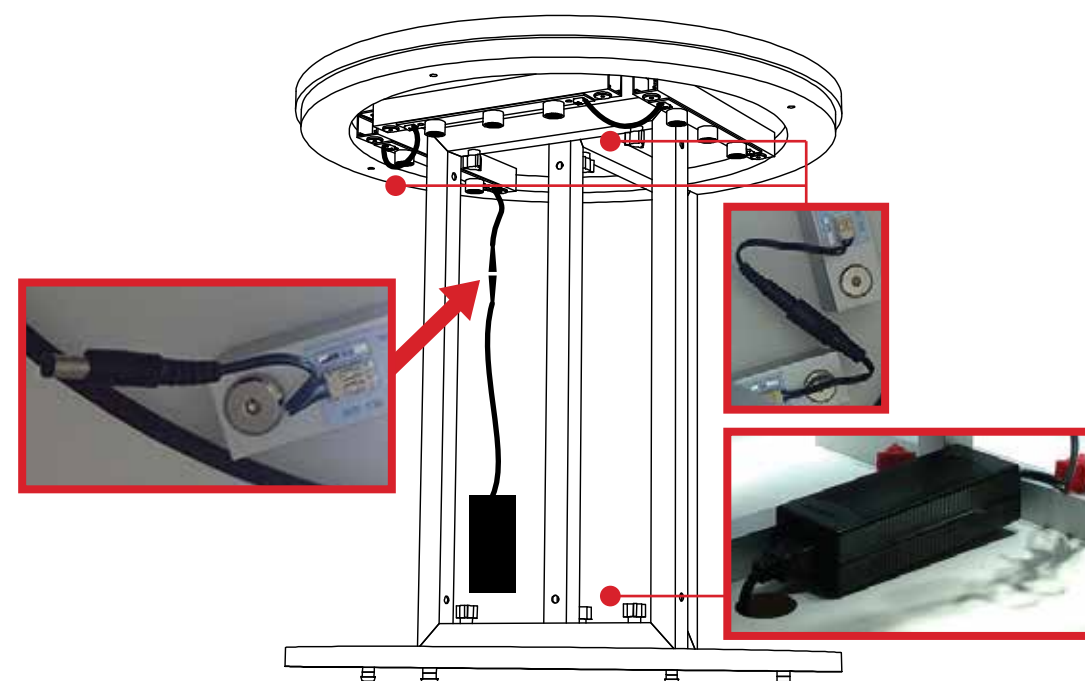
STEP 3

MATCH NUMBERS TO CONNECT
(1) **VERTICAL FRAME TO BOTTOM** WITH
(2) **RED THUMBSCREWS**



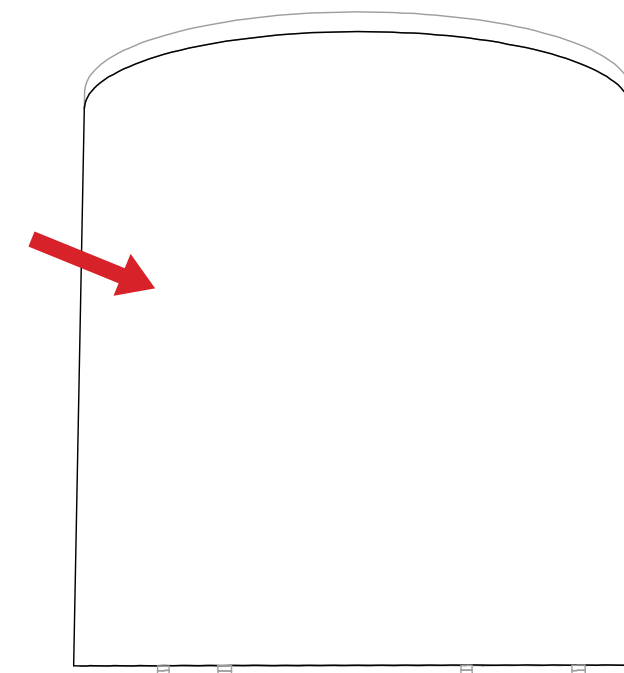
STEP 4

CONNECT (1) **LIGHT BAR TOP** TO
VERTICAL FRAMES WITH (4) **RED THUMBSCREWS**



STEP 5

CONNECT **POWER SUPPLY** TO
11" LIGHTBAR END



STEP 6

ATTACH MAGNETIC
ROUND BACKLIT GRAPHIC