

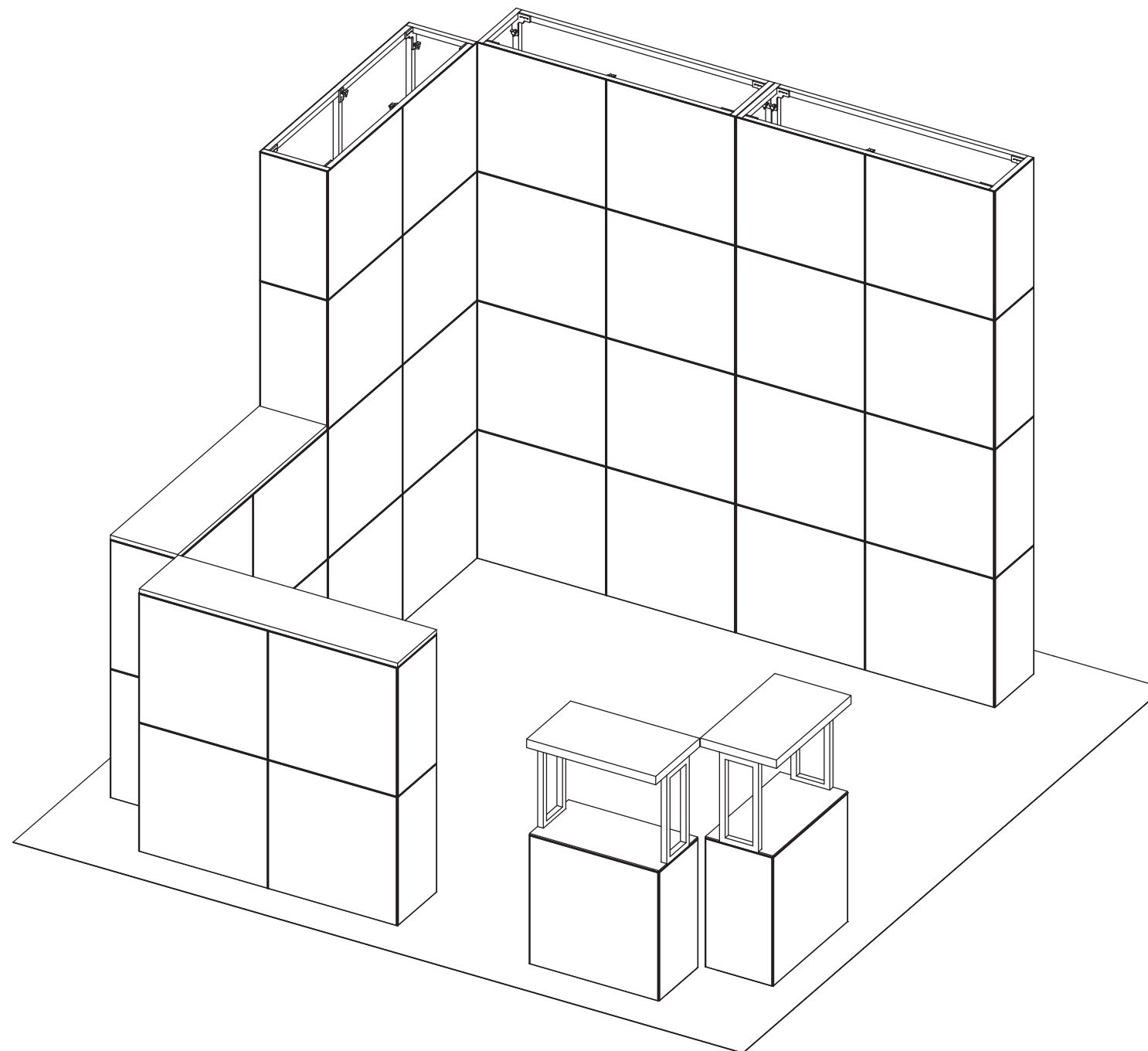
WHEN ASSEMBLING **EX PO MultiQuad**<sup>®</sup>

REMEMBER YOUR **ABC**'s...

**A**SSEMBLE EACH COMPONENT SEPARATELY

**B**UILD THE DESIRED LAYOUT

**C**OVER YOUR MULTIQUAD LAYOUT WITH QUADS



**EX PO MultiQuad**<sup>®</sup>  
An **ExpoDisplays** Product

**MQ-K1020**  
10'x10' MultiQuad Kit



**Expo EX PO Displays**<sup>®</sup>  
A Division of Diamond Displays International

3401 Mary Taylor Road  
Birmingham, Alabama 35235  
(205) 439-8200

Drawn By: SH

Project Title

**EX PO MultiQuad**<sup>®</sup>  
An ExpoDisplays Product

**MQ - K1020**

Sheet Title

**ASSEMBLY  
INSTRUCTIONS  
COVER SHEET**

Page 1



**Expo EXPO Displays**  
A Division of Diamond Displays International

3401 Mary Taylor Road  
Birmingham, Alabama 35235  
(205) 439-8200

Drawn By: SH

Project Title

**MultiQuad**  
An Expo Displays Product

**MQ - K1020**

Sheet Title

**ASSEMBLY  
INSTRUCTIONS  
ELECTRICAL PLAN**

ELECTRICAL DROP  
500 Watts

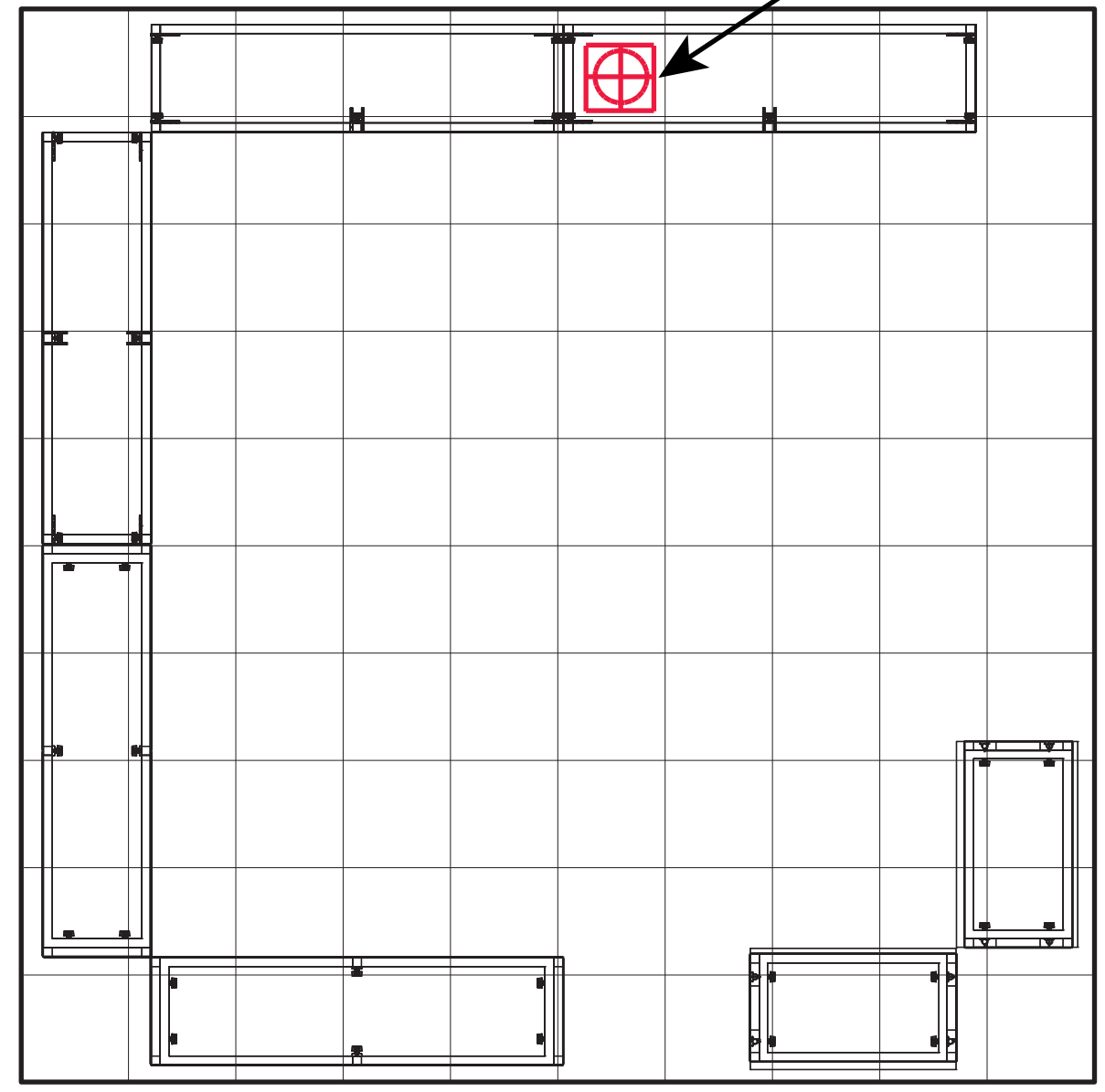
BACK OF DISPLAY

SIDE OF DISPLAY

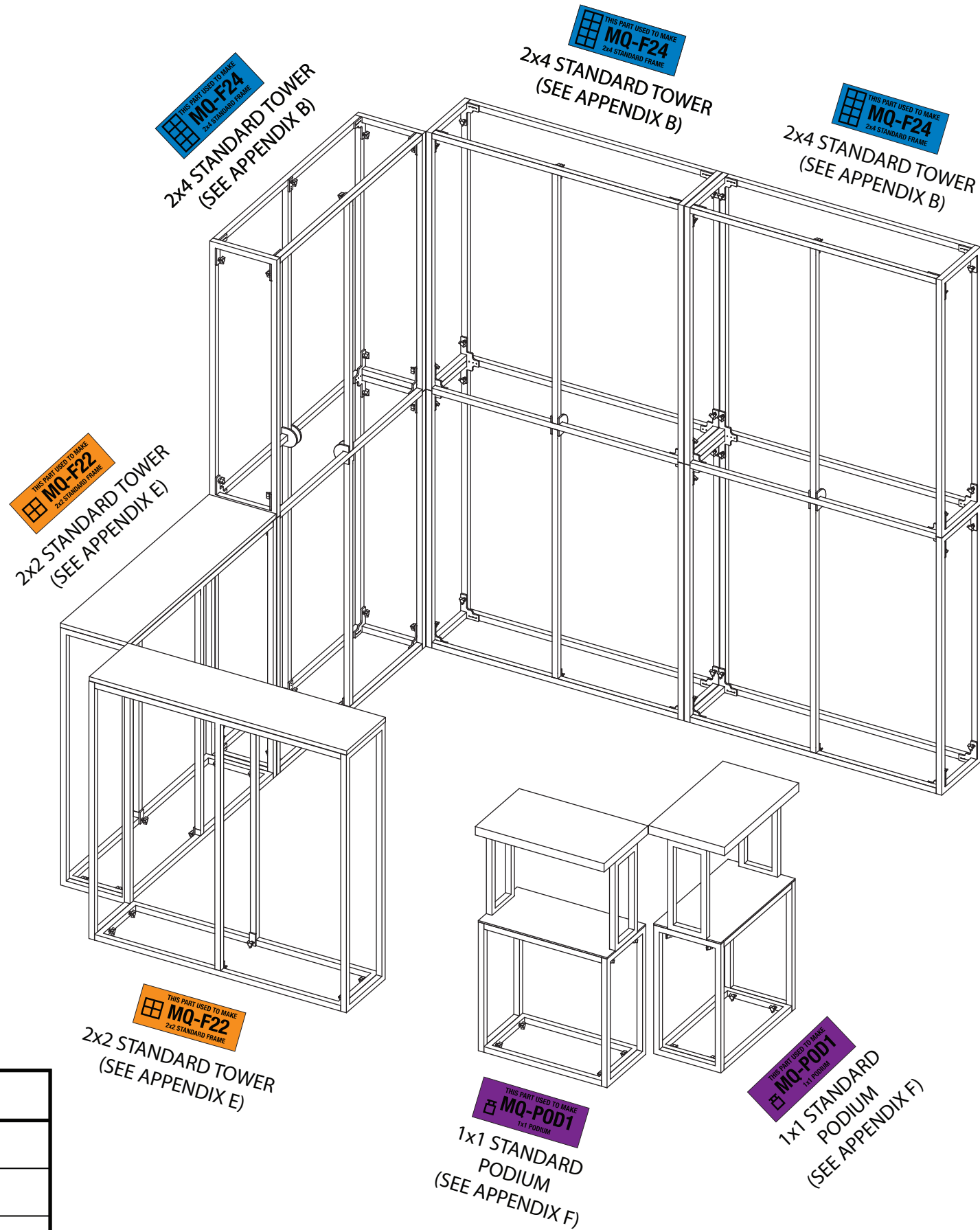
SIDE OF DISPLAY

FRONT OF DISPLAY

1 Square = 1'-0"



MAIN ELECTRICAL DROP



**PARTS LIST:**

#	LABEL	NAME
2	<b>MQ-POD1</b> 1x1 PODIUM	STANDARD PODIUM
2	<b>MQ-F22</b> 2x2 STANDARD FRAME	2x2 STANDARD TOWER
3	<b>MQ-F24</b> 2x4 STANDARD FRAME	2x4 STANDARD TOWER



**Expo EXPO Displays**  
A Division of Diamond Displays International

3401 Mary Taylor Road  
Birmingham, Alabama 35235  
(205) 439-8200

Drawn By: SH

Project Title

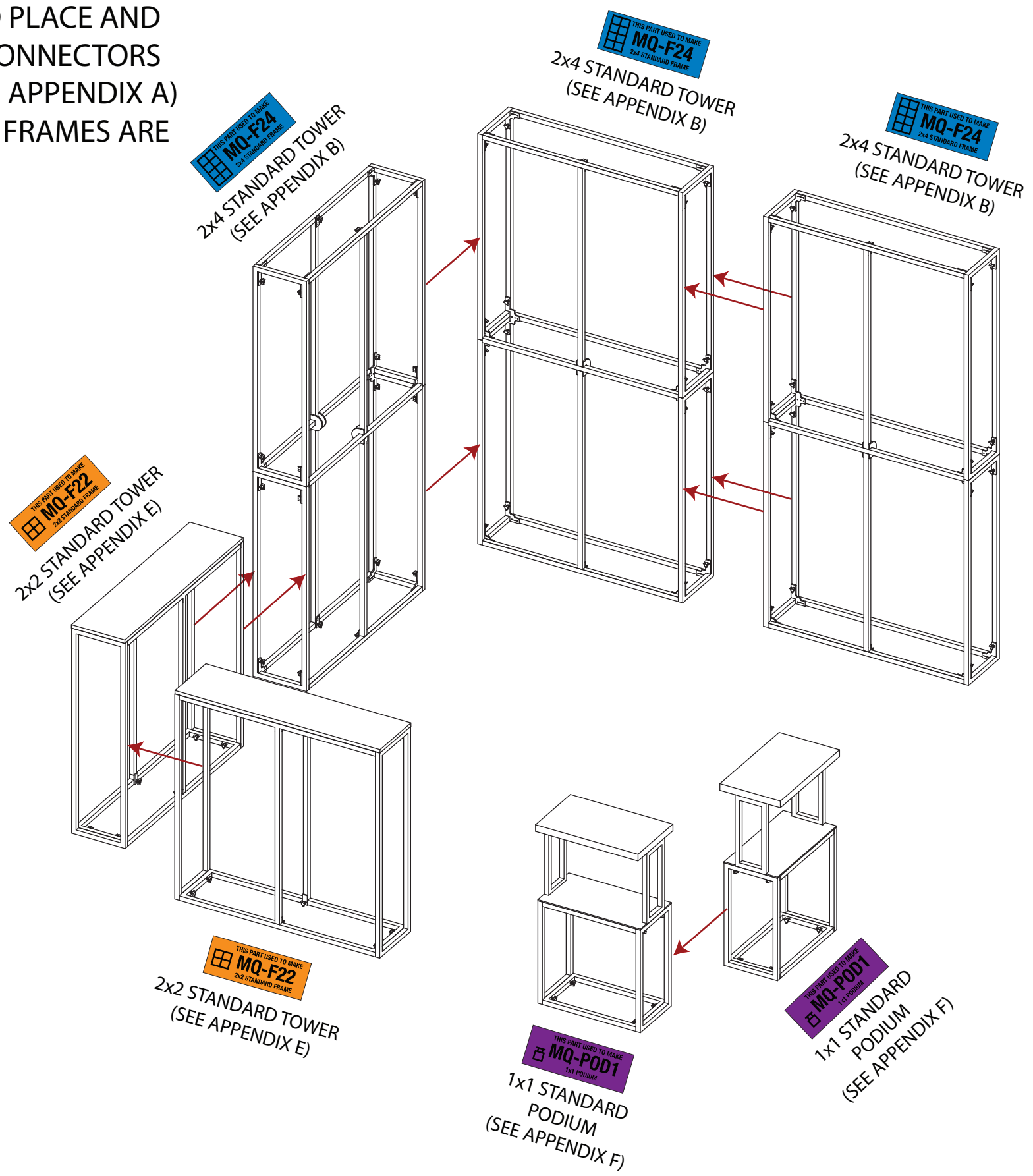
**MultiQuad**  
An ExpoDisplays Product

**MQ - K1020**

Sheet Title

**ASSEMBLY INSTRUCTIONS**  
**DESIRED LAYOUT**

1. PLACE THE FAR LEFT TOWER INTO THE DESIRED LOCATION USING PAGE TWO
2. SLIDE ADJACENT TOWER INTO PLACE AND ATTACH USING THE CORNER CONNECTORS AND RED THUMB SCREWS (SEE APPENDIX A)
3. REPEAT STEP 2 UNTIL ALL THE FRAMES ARE JOINED TOGETHER



**Expo EXPO Displays**  
A Division of Diamond Displays International

3401 Mary Taylor Road  
Birmingham, Alabama 35235  
(205) 439-8200

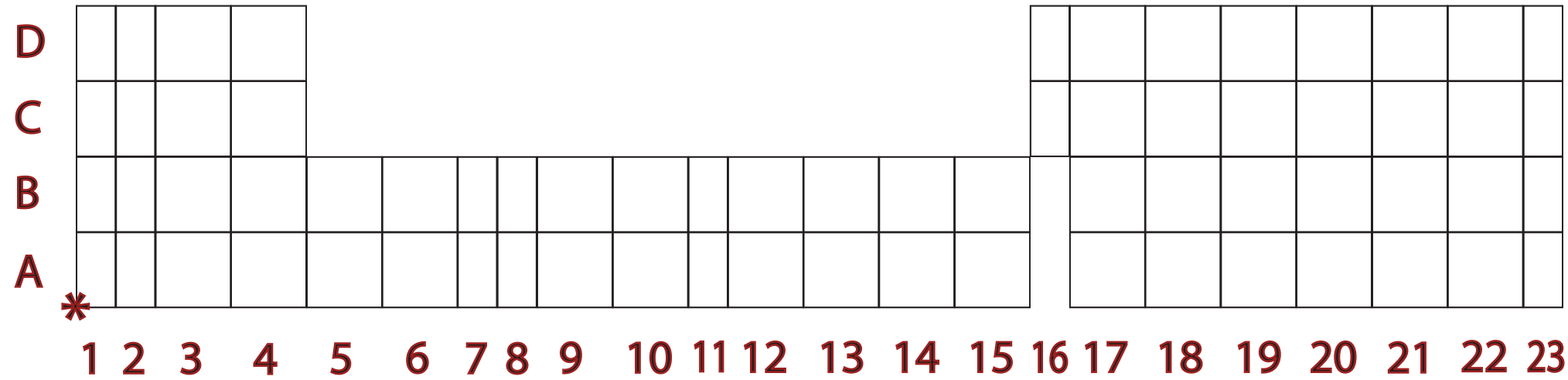
Drawn By: SH

Project Title

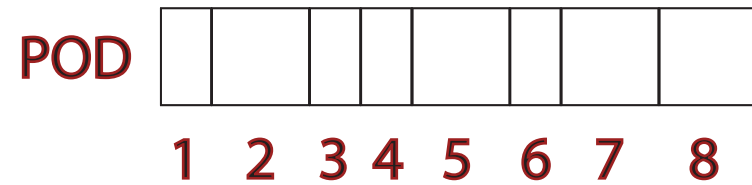
**MultiQuad**  
An ExpoDisplays Product  
**MQ - K1020**

Sheet Title

**ASSEMBLY  
INSTRUCTIONS  
EXPLODED LAYOUT**

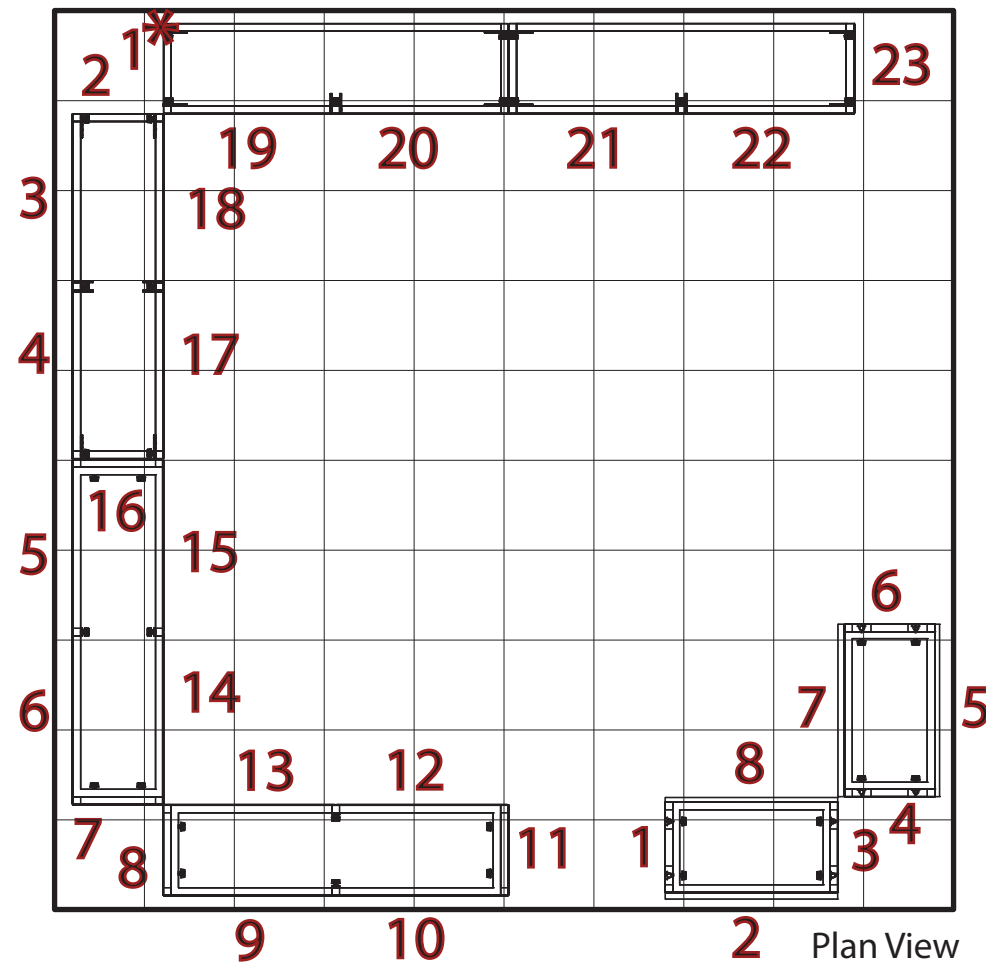


MAIN WALL



PODIUM

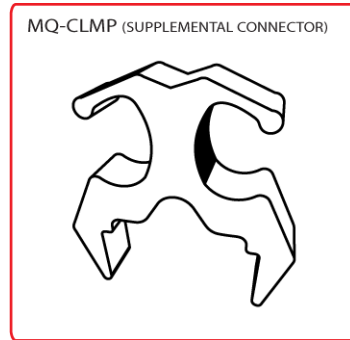
PARTS LIST:		
#	SIZE	NAME
52	23x23	STANDARD QUAD
16	12x23	SIDE QUAD



\* = ORIGIN

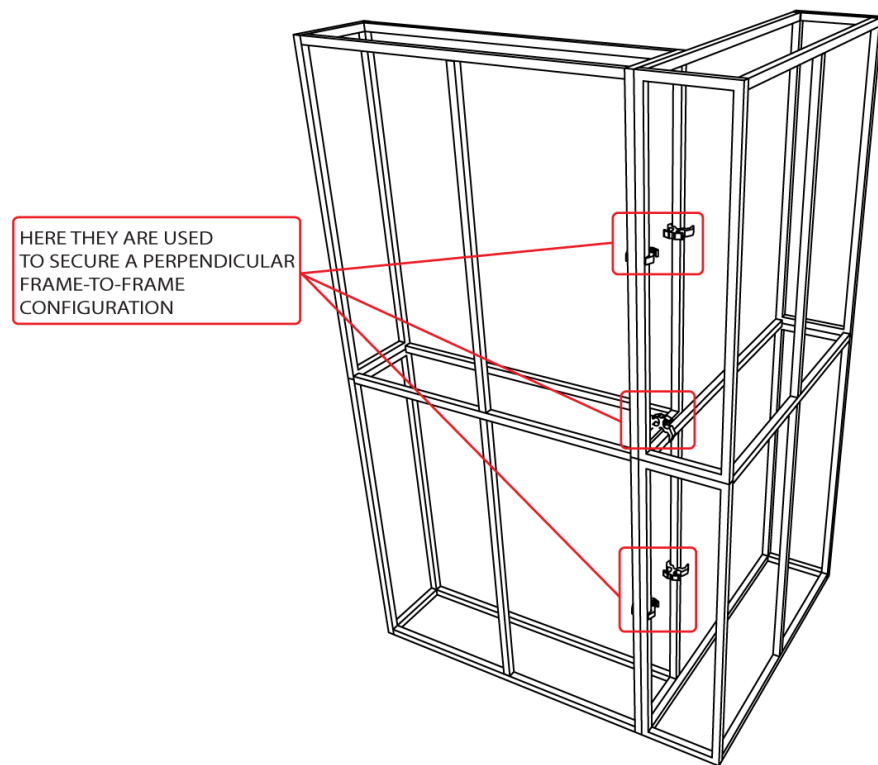
Plan View

**MQ-CLMP SUPPLEMENTAL CONNECTOR INSTRUCTIONS**

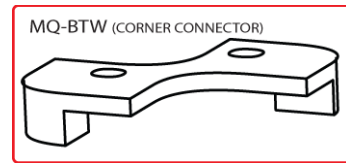


THE MQ-CLMP SUPPLEMENTAL CONNECTOR IS A FRICTION-FIT (SLIDES ON) CONNECTOR DESIGNED FOR USE IN ABNORMAL MULTIQUAD FRAME CONFIGURATIONS, OR AS ADDITIONAL FRAME SECURITY IN SPECIAL SITUATIONS.

THE MQ-CLMP SIMPLY SLIDES OVER THE MULTIQUAD FRAME WHERE NEEDED.

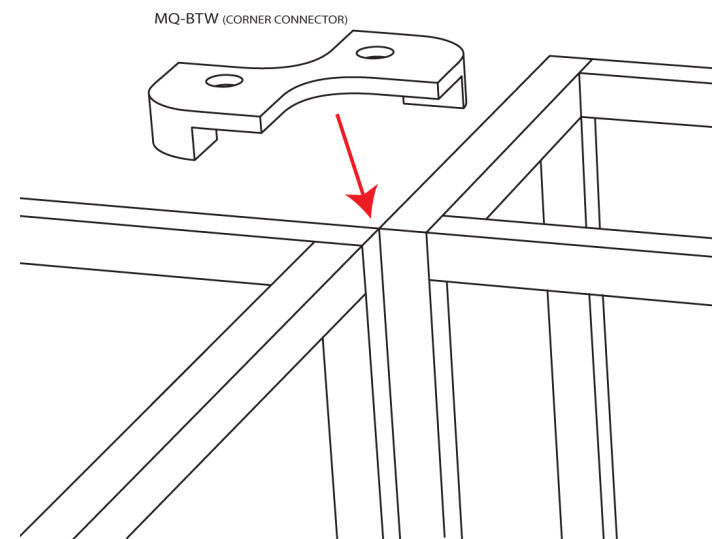


**MQ-BTW CORNER CONNECTOR INSTRUCTIONS**

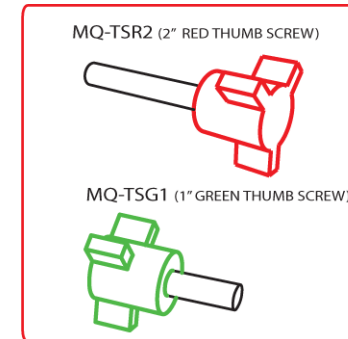


THE MQ-BTW CORNER CONNECTOR IS DESIGNED TO SUPPLEMENT THE "CORNER-TO-CORNER" CONNECTION NEEDED IN SOME MULTIQUAD CONFIGURATIONS. THE MQ-BTW IS MOST EFFECTIVE ON THE TOP OF THE FRAMES, BUT CAN BE USED ON THE BOTTOM ALSO.

AFTER THE TWO MULTIQUAD FRAMES ARE SET "CORNER-TO-CORNER" THE MQ-BTW SIMPLY SLIDES OVER THE CORNER AND SETTLES INTO PLACE. THIS WILL FURTHER SECURE THE MULTIQUAD FRAME.

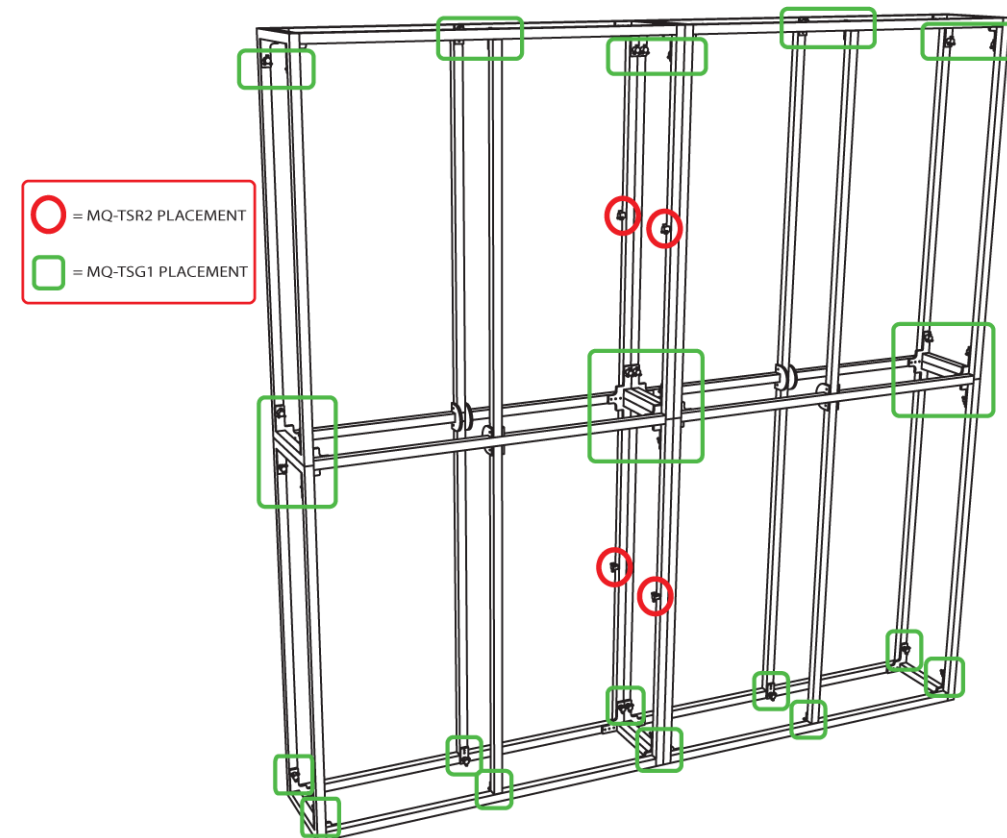


**MQ-TSR2 / MQ-TSG1 THUMB SCREW INSTRUCTION**



THE MQ-TSR2 IS A 2" RED THUMB SCREW. IT IS USED TO CONNECT MULTIQUAD FRAMES INTO AN INLINE CONFIGURATION. MULTIQUAD FRAMES HAVE A LEFT AND RIGHT SIDE AFTER CONSTRUCTION. THESE SCREWS PASS THROUGH ONE FRAME AND SCREW INTO THE OTHER FRAME.

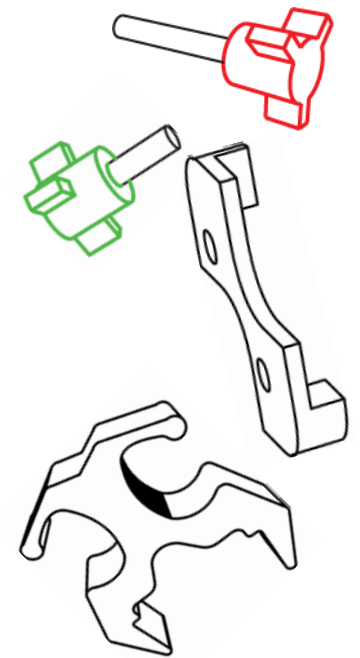
THE MQ-TSG1 IS A 1" GREEN THUMB SCREW. IT IS USED TO BUILD ALL MULTIQUAD FRAMES.



**Expo EX PO Displays**  
A Division of Diamond Displays International

3401 Mary Taylor Road  
Birmingham, Alabama 35235  
(205) 439-8200

Drawn By: AKHIII



Sheet Title

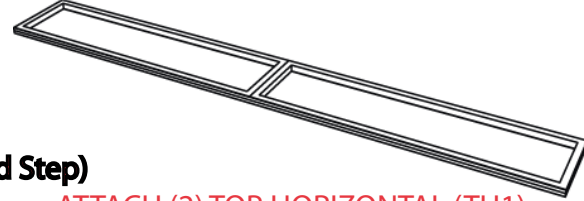
**ASSEMBLY  
INSTRUCTIONS  
CONNECTORS**

**PARTS LIST:**

#	LABEL	NAME
1	LVH1	LEFT VERTICAL HINGED
1	RVH1	RIGHT VERTICAL HINGED
2	BH1	BOTTOM HORIZONTAL
2	MH1	MIDDLE HORIZONTAL
2	TH1	TOP HORIZONTAL
2	CVH1	CENTER VERTICAL HINGED
18	GRN	1" THUMB SCREWS
4	RED	2" THUMB SCREWS

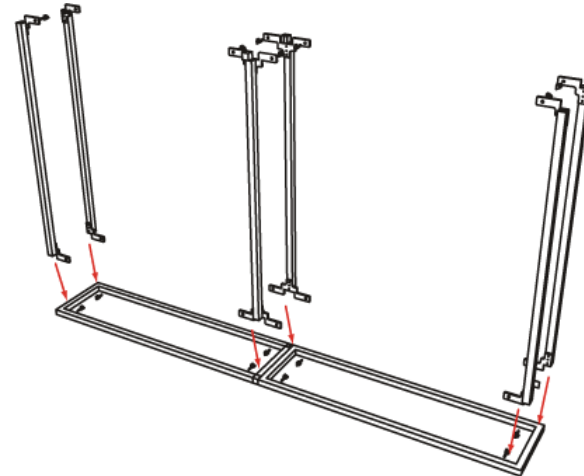
**1st Step)**

START WITH THE LEFT VERTICAL HINGE (LVH1) ON THE GROUND



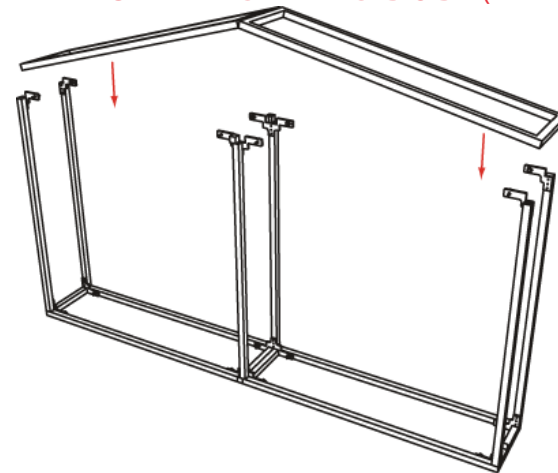
**2nd Step)**

ATTACH (2) TOP HORIZONTAL (TH1), (2) MIDDLE HORIZONTAL (MH1), (2) BOTTOM HORIZONTAL (BH1)



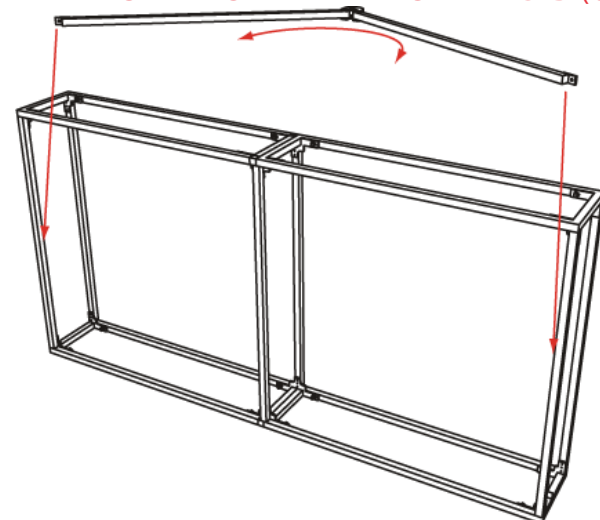
**3rd Step)**

ATTACH THE RIGHT HINGED SIDE (RVH1)

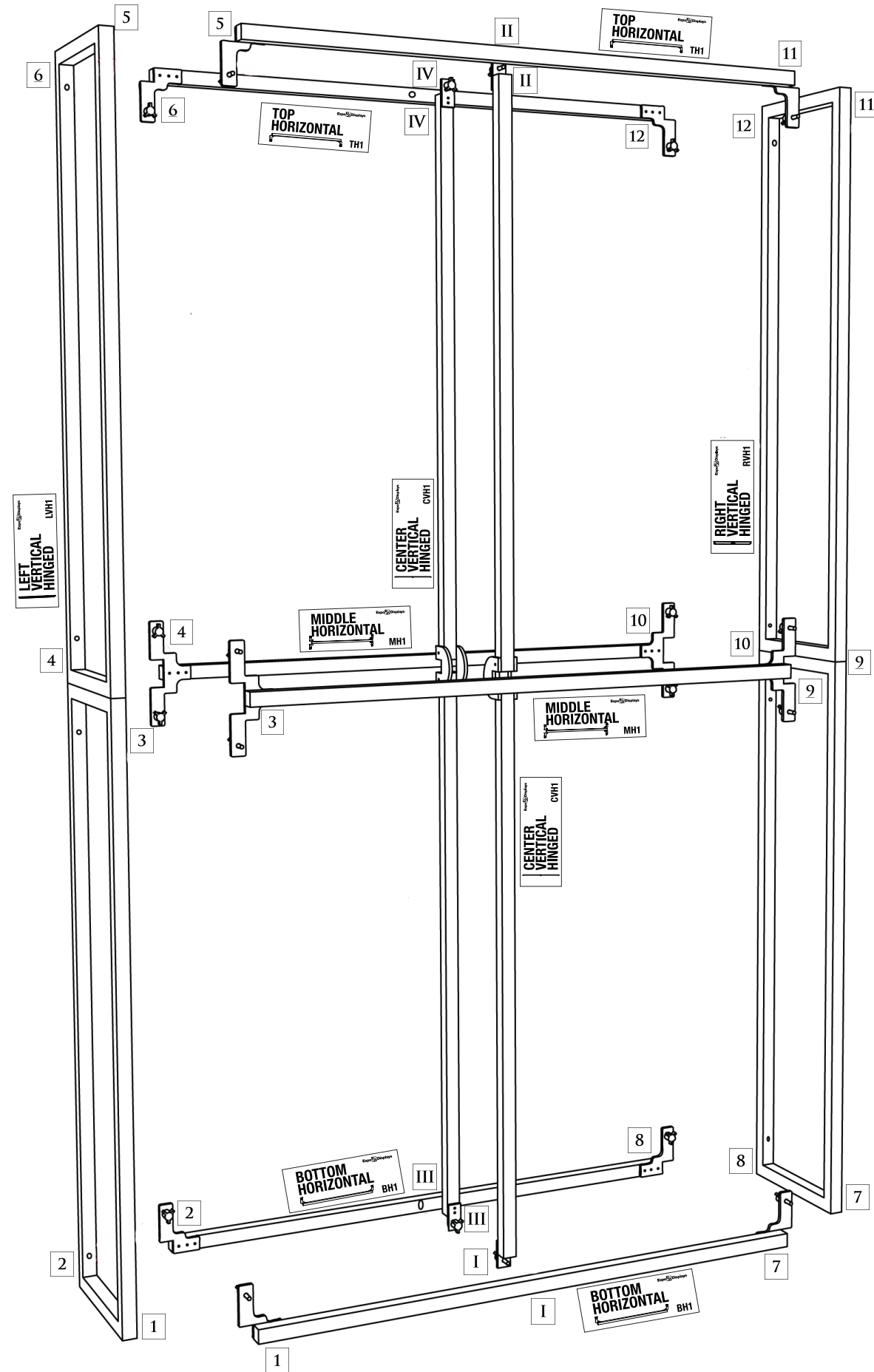


**4th Step)**

ATTACH THE CENTER VERTICAL HINGED (CVH1)



\*MATCH NUMBERS TO CONSTRUCT.

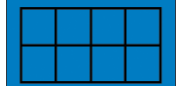


**Expo EXPO Displays**  
A Division of Diamond Displays International

3401 Mary Taylor Road  
Birmingham, Alabama 35235  
(205) 439-8200

Drawn By: AKHIII

THIS PART USED TO MAKE  
**MQ-F24**  
2x4 STANDARD FRAME



Sheet Title

**ASSEMBLY INSTRUCTIONS**  
**2x4 STANDARD FRAME**  
**MQ-F24**

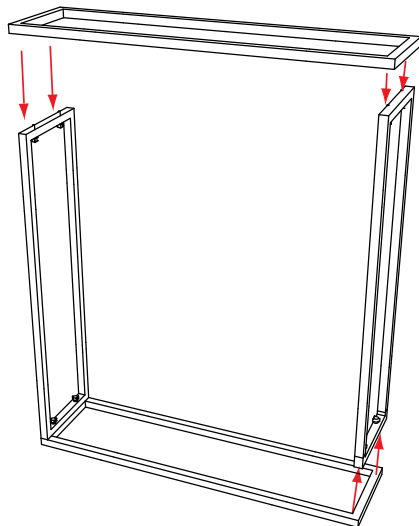
APPENDIX B

**PARTS LIST:**

#	LABEL	NAME
1	LVR1	LEFT VERTICAL RECTANGLE
1	RVR1	RIGHT VERTICAL RECTANGLE
1	BHR1	BOTTOM HORIZONTAL RECT.
2	CVH2	CENTER VERTICAL HALF
1	THR2	TOP HORIZONTAL RECTANGLE
4	GRN	1" THUMB SCREWS
8	RED	2" THUMB SCREWS
1	CT1246	COUNTER TOP FOR MQ-F22C

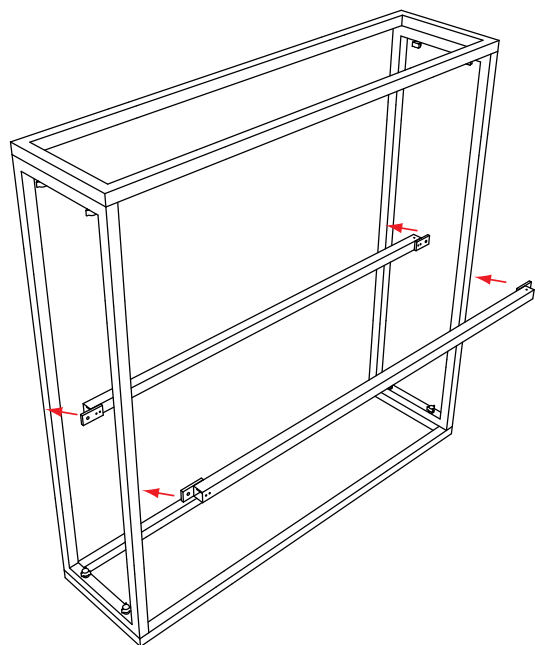
**1st Step)**

START WITH THE (LVR1) ON THE GROUND.  
ATTACH THE (THR1), (BHR1), AND (RVR1)



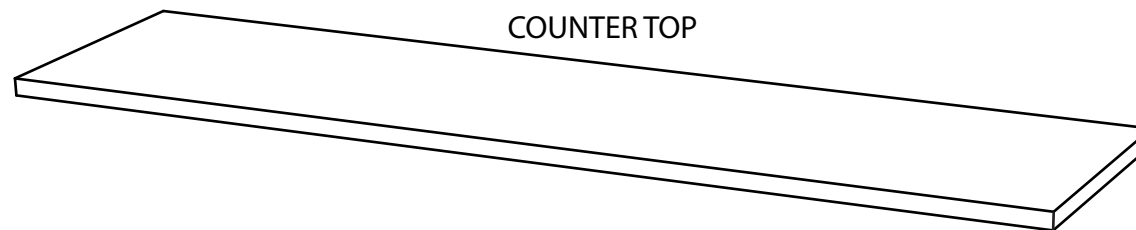
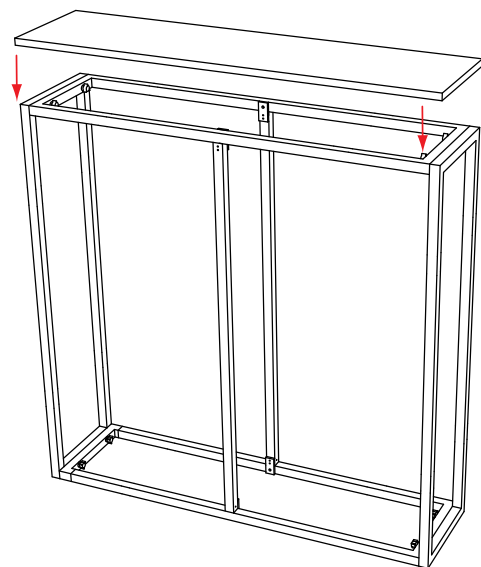
**2nd Step)**

ATTACH THE (2) CENTER VERTICLE (CVH2)

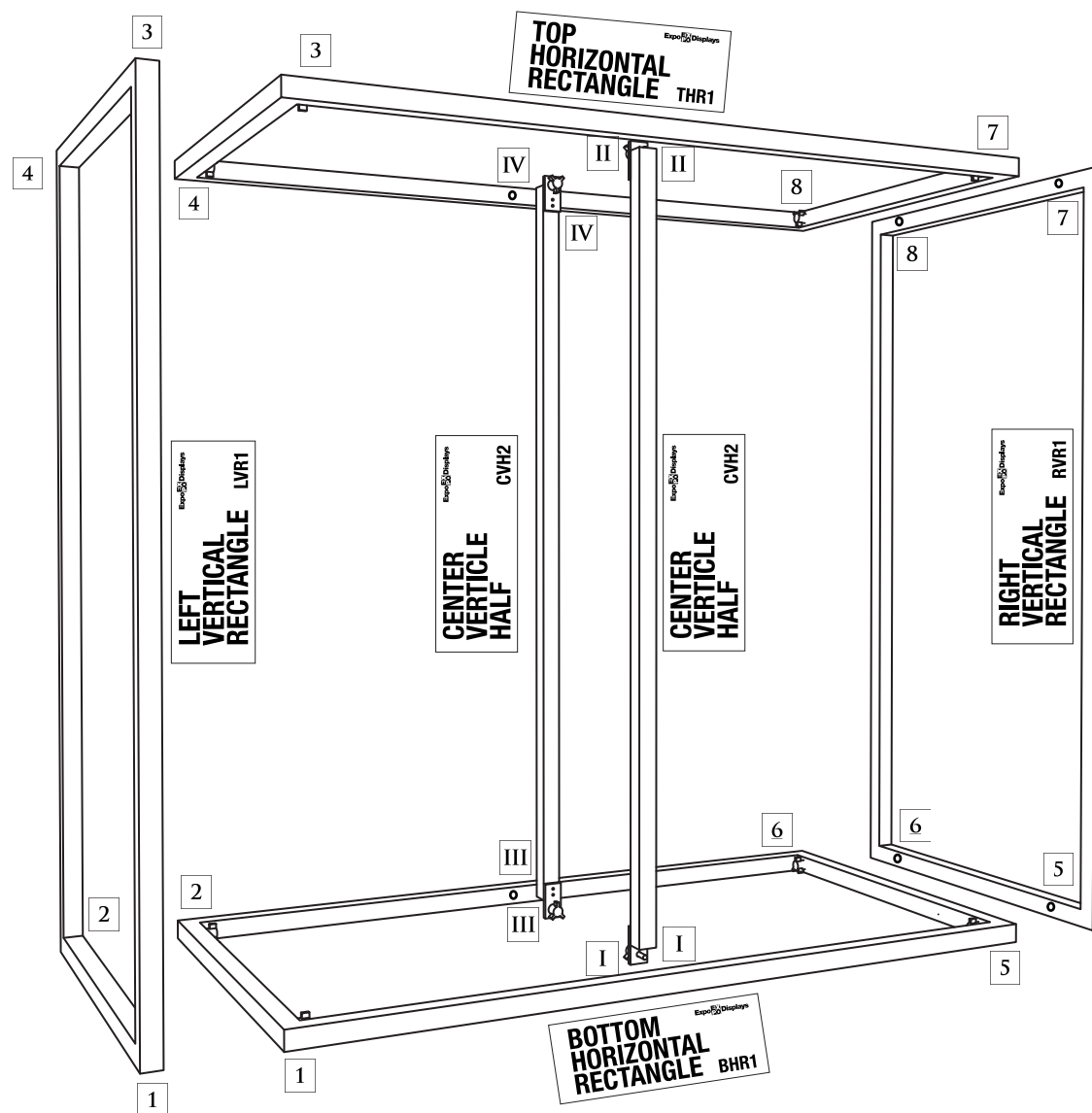


**3rd Step)**

STAND UPRIGHT AND PLACE COUNTER ON TOP



\*MATCH NUMBERS TO CONSTRUCT.



**Expo EX PO Displays**  
A Division of Diamond Displays International

3401 Mary Taylor Road  
Birmingham, Alabama 35235  
(205) 439-8200

Drawn By: AKHIII

THIS PART USED TO MAKE  
**MQ-F22C**  
2x2 STANDARD COUNTER

Sheet Title

**ASSEMBLY  
INSTRUCTIONS  
2x2 STANDARD  
COUNTER  
MQ-F22C**

APPENDIX E

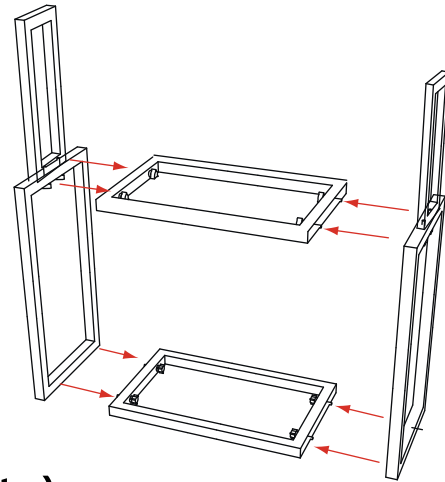


**PARTS LIST:**

#	LABEL	NAME
1	LVP1	LEFT VERTICAL PODIUM
1	RVP1	RIGHT VERTICAL PODIUM
1	BHR2	BOTTOM HORIZONTAL
1	THR2	TOP HORIZONTAL RECTANGLE
1	SSPOD1	SHELF
1	CTPOD1	PODIUM COUNTER TOP
8	GRN	1" THUMB SCREWS
2	RED	2" THUMB SCREWS

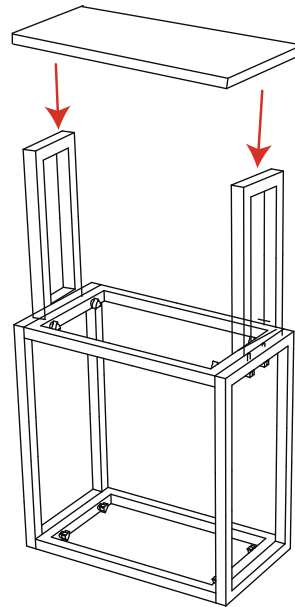
**1st Step)**

START WITH THE (BHR2) ON THE GROUND. ATTACH THE (LVP1), AND (RVP1) THEN ATTACH THE (THR2)



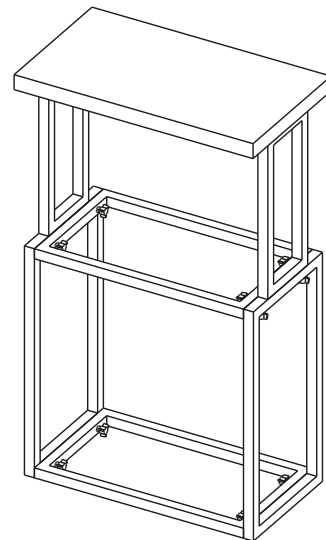
**2nd Step)**

ATTACH THE PODIUM COUNTER TOP

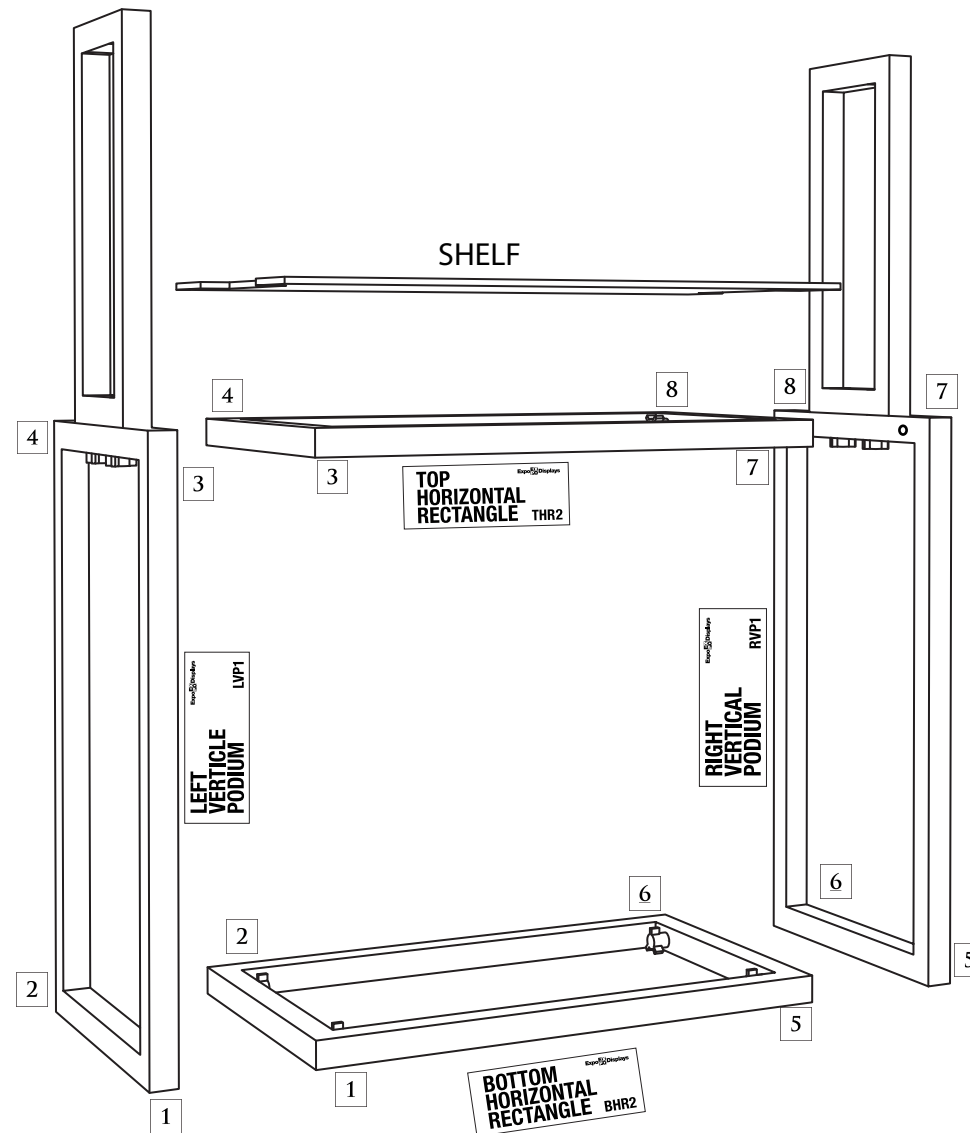
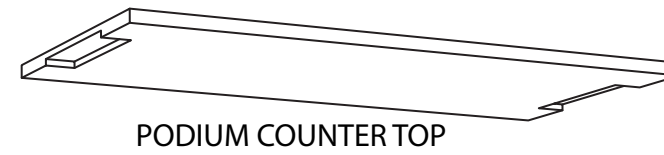


**3rd Step)**

ATTACH THE SHELF



\*MATCH NUMBERS TO CONSTRUCT.



THIS PART USED TO MAKE  
**MQ-POD1**  
1x1 PODIUM

Sheet Title

**ASSEMBLY INSTRUCTIONS**  
**1x1 STANDARD PODIUM**  
**MQ-POD1**