

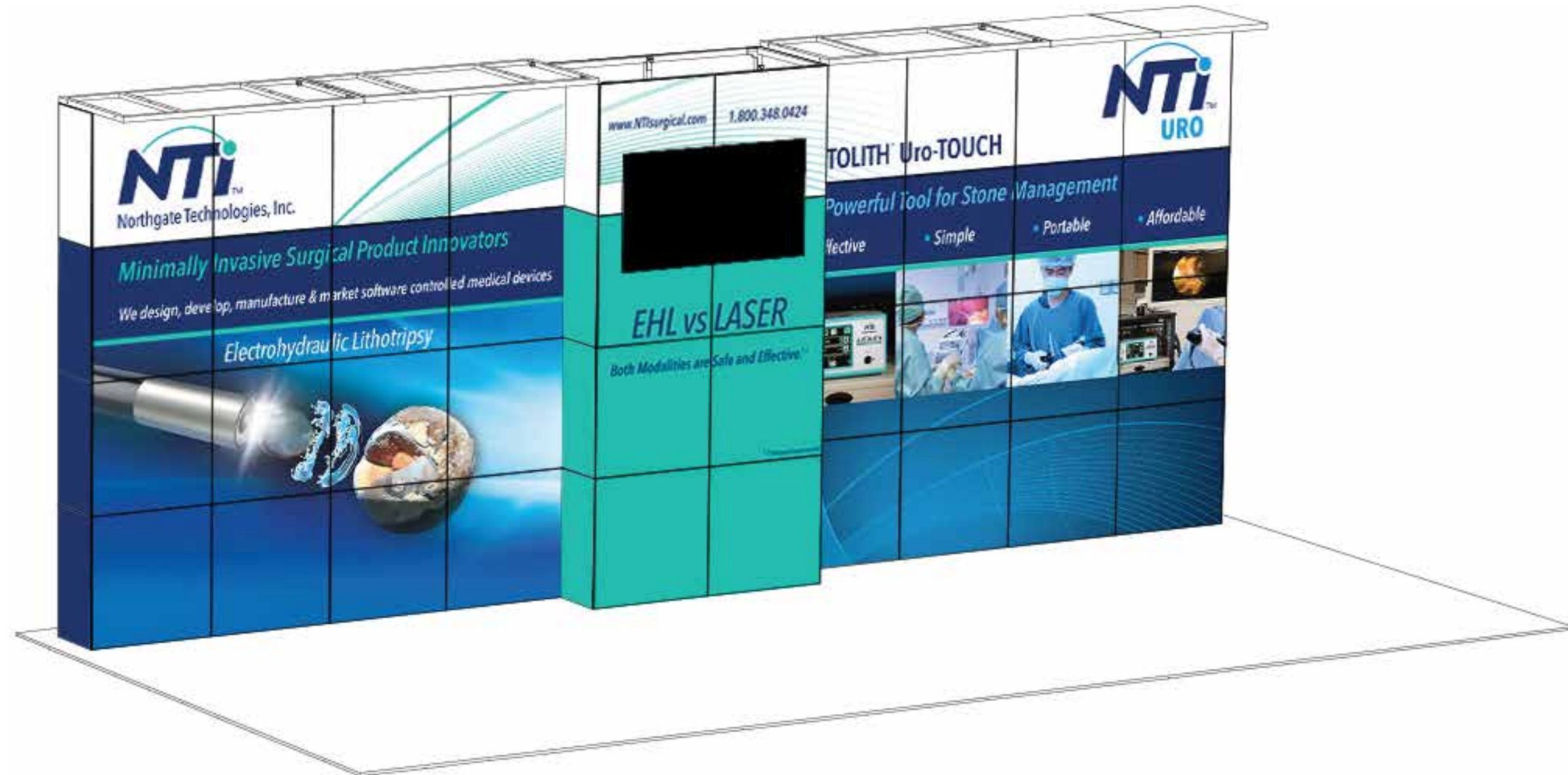
WHEN ASSEMBLING **EXPO MultiQuad**[®]

REMEMBER YOUR **ABC**'s...

ASSEMBLE EACH COMPONENT SEPARATELY

BUILD THE DESIRED LAYOUT

COVER YOUR MULTIQUAD LAYOUT WITH QUADS



EXPO MultiQuad[®]
An **ExpoDisplays** Product

10' x 20' Custom MultiQuad[®]

EXPO

Expo EXPO Displays[®]
A Division of Diamond Displays International

3401 Mary Taylor Road
Birmingham, Alabama 35235
(205) 439-8200

Project Title

10x20 MULTIQUAD[®]

Sheet Title

ASSEMBLY
INSTRUCTIONS
COVER SHEET

Page 1

ELECTRICAL PLAN



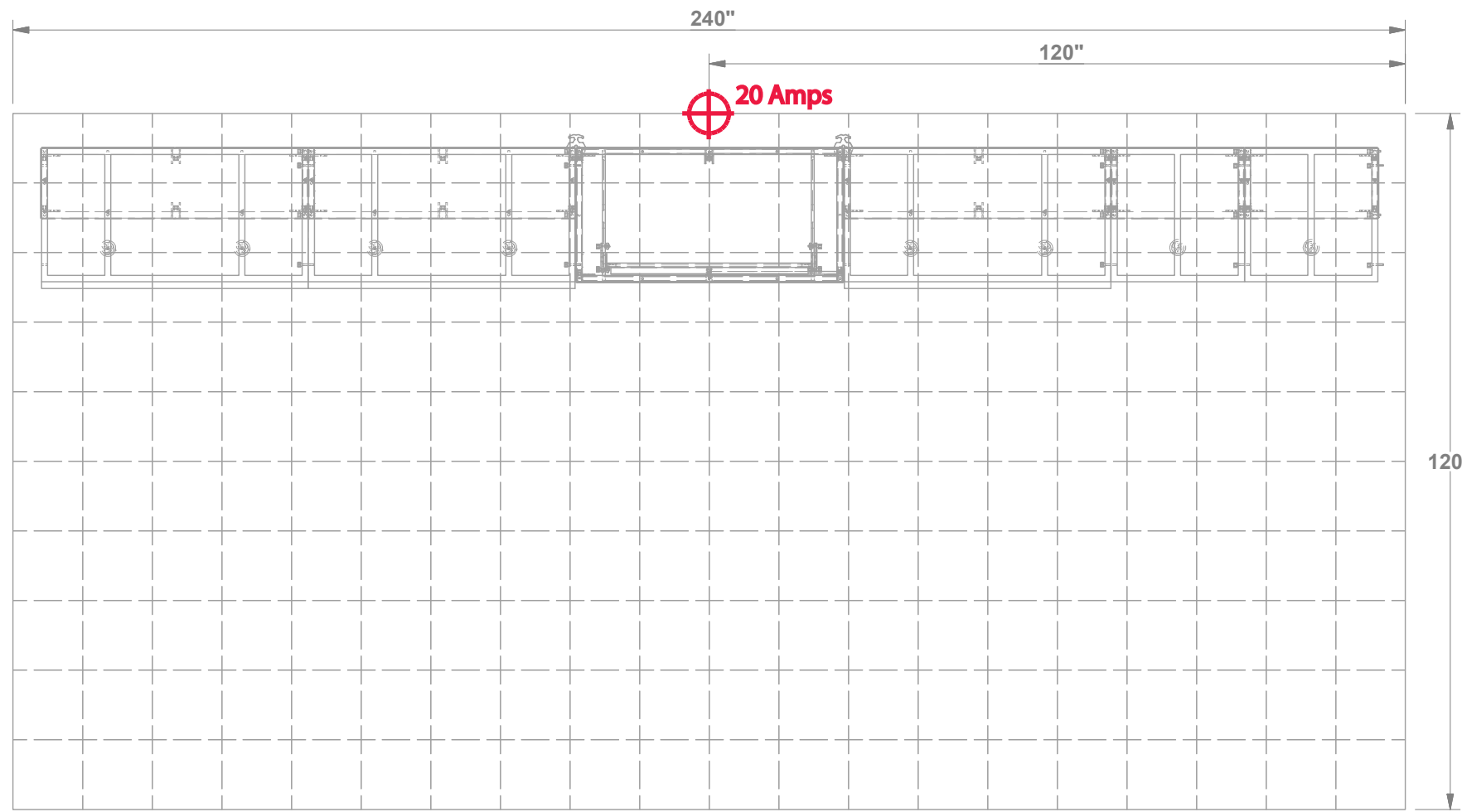
Project Title

10x20 MULTIQAD®

Sheet Title

ASSEMBLY
INSTRUCTIONS
ELECTRICAL PLAN

BOOTH # _____ ↗



TOP VIEW

BOOTH # _____ ↗

BOOTH # _____ ↘

BOOTH # _____ ↘

FRONT OF DISPLAY

1 Square = 1'- 0"

SHOW: _____

BOOTH: _____



MAIN ELECTRICAL DROP



ELECTRICAL OUTLET

STANDARD PARTS



Project Title

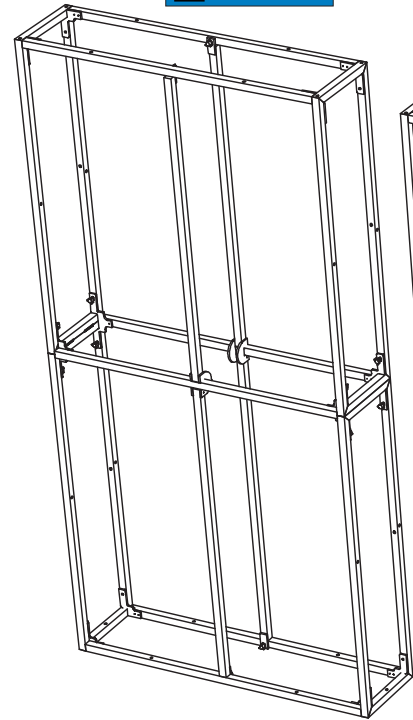
10x20 MULTIQUAD®

Sheet Title

ASSEMBLY
INSTRUCTIONS
STANDARD PARTS

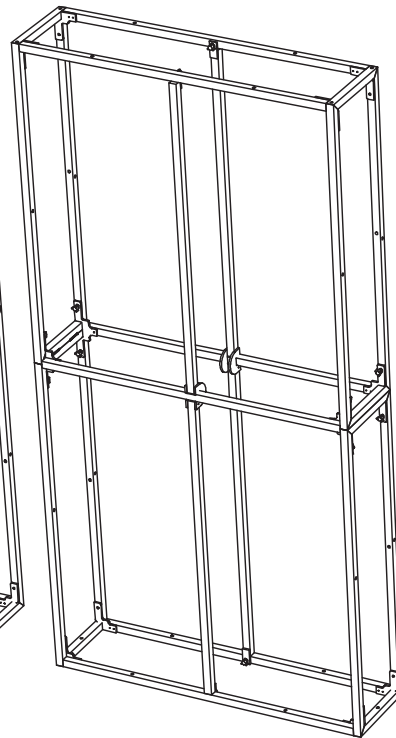
STANDARD FRAME
(SEE APPENDIX B)

THIS PART USED TO MAKE
MQ-F24
2x4 STANDARD FRAME



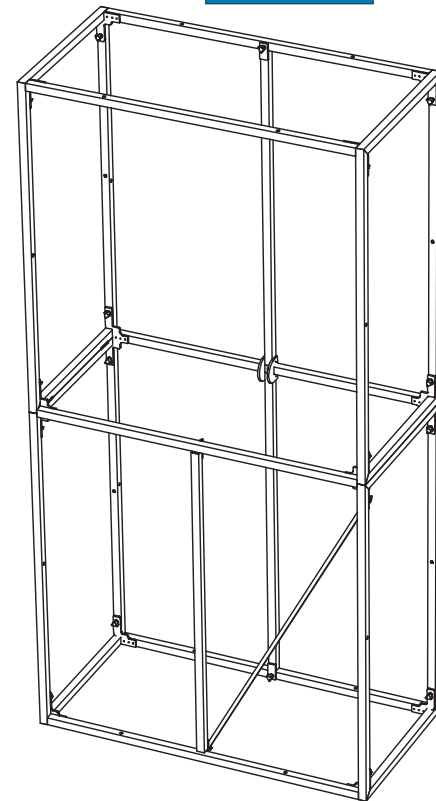
STANDARD FRAME
(SEE APPENDIX B)

THIS PART USED TO MAKE
MQ-F24
2x4 STANDARD FRAME



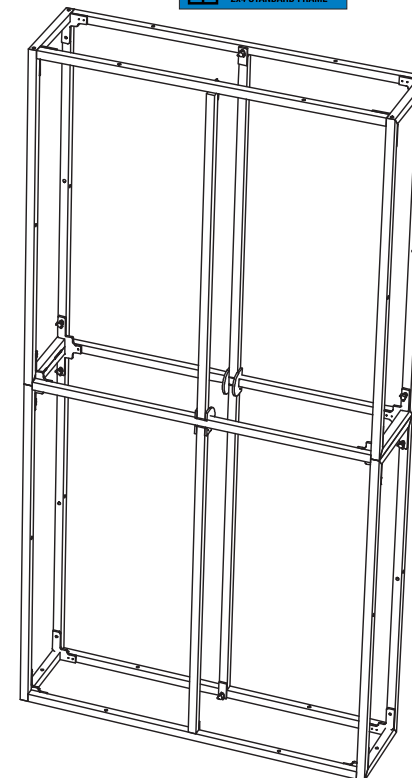
MAX FRAME
(SEE APPENDIX J-6)

THIS PART USED TO MAKE
MQX-F24
2x4 MAX FRAME



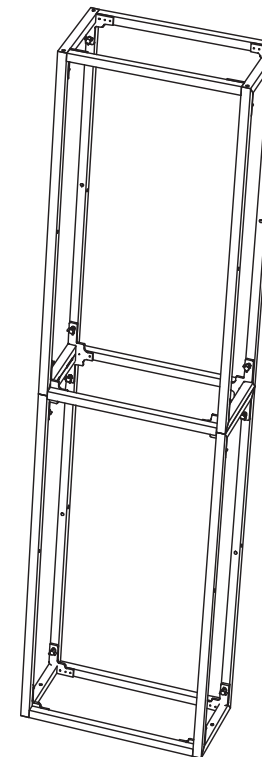
STANDARD FRAME
(SEE APPENDIX B)

THIS PART USED TO MAKE
MQ-F24
2x4 STANDARD FRAME



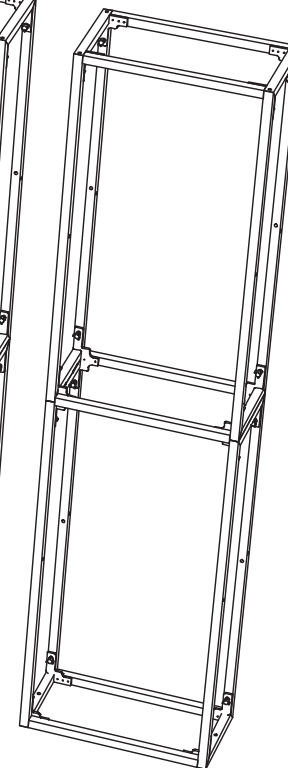
STANDARD FRAME
(SEE APPENDIX D)

THIS PART USED TO MAKE
MQ-F14
1x4 STANDARD FRAME

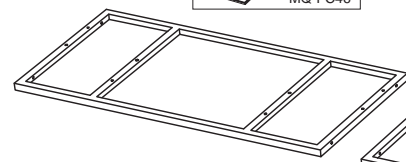


STANDARD FRAME
(SEE APPENDIX D)

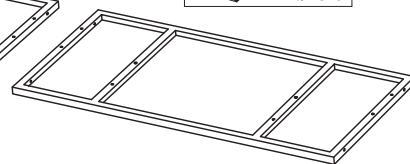
THIS PART USED TO MAKE
MQ-F14
1x4 STANDARD FRAME



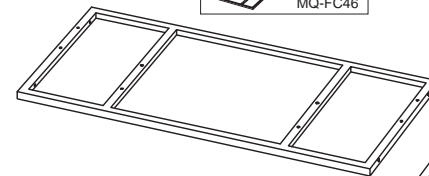
FLAT CANOPY
MQ-FC46



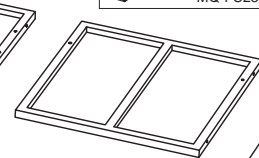
FLAT CANOPY
MQ-FC46



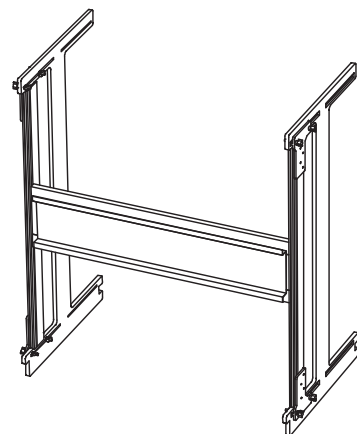
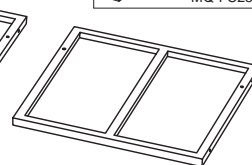
FLAT CANOPY
MQ-FC46



FLAT CANOPY
MQ-FC23



FLAT CANOPY
MQ-FC23



(SEE APPENDIX J-7)
MEDIA MOUNT

ASSEMBLE ALL FRAMES LISTED USING APPENDIX PAGES

MAIN WALL ASSEMBLY



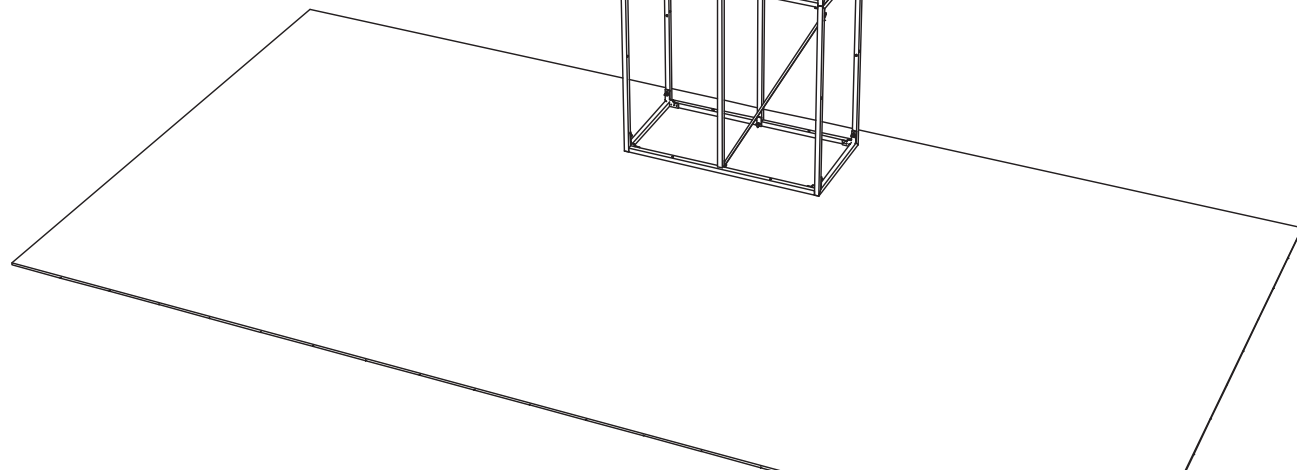
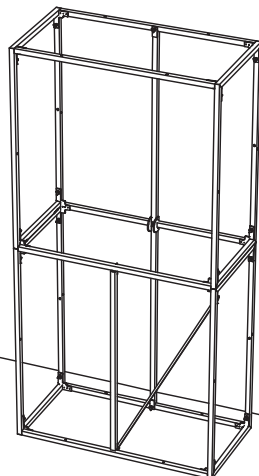
Project Title

10x20 MULTIQAD®

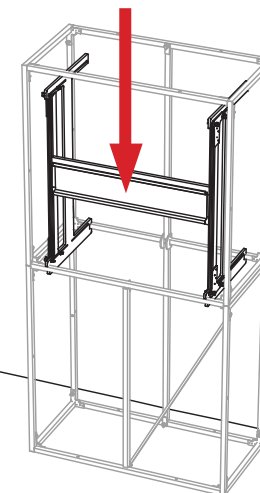
Sheet Title

ASSEMBLY INSTRUCTIONS
MAIN WALL ASSEMBLY

MAX FRAME
(SEE APPENDIX J-6)
THIS PART USED TO MAKE
MQX-F24
2x4 MAX FRAME

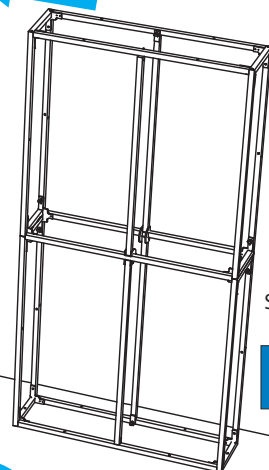
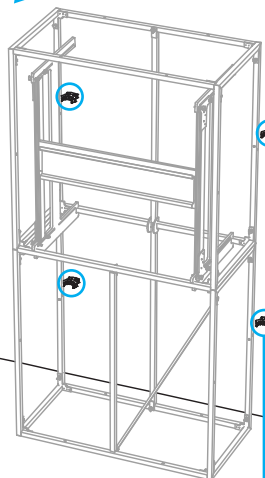
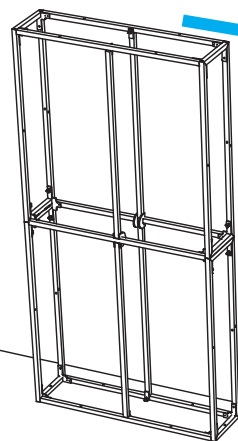


PLACE **MQX-F24** IN MIDDLE OF FLOORSPACE AS SHOWN

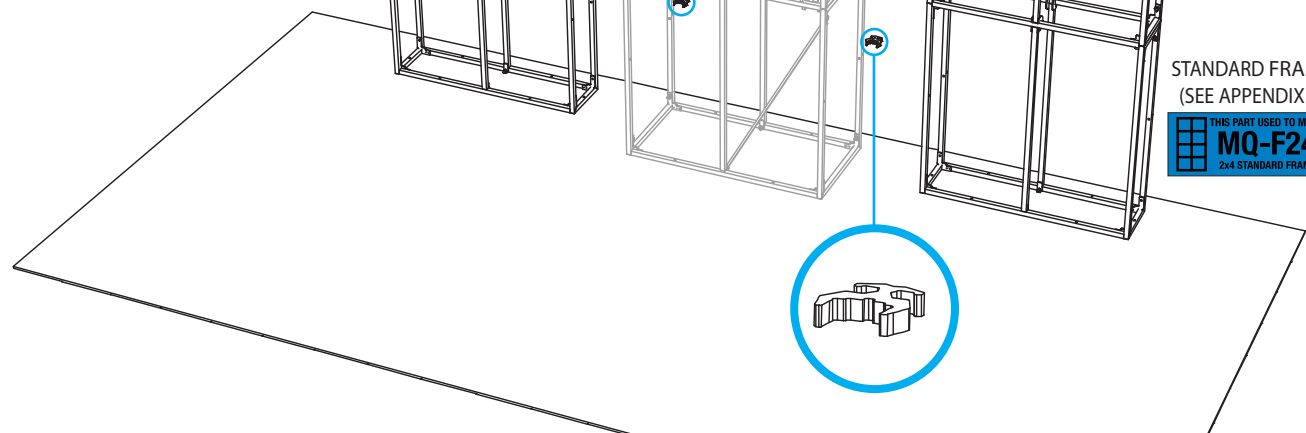


(SEE APPENDIX J-7 FOR MEDIA MOUNT ASSEMBLY)
ASSEMBLE **MEDIA MOUNT** INSIDE **MQX-F24** AS SHOWN

STANDARD FRAME
(SEE APPENDIX B)
THIS PART USED TO MAKE
MQ-F24
2x4 STANDARD FRAME



STANDARD FRAME
(SEE APPENDIX B)
THIS PART USED TO MAKE
MQ-F24
2x4 STANDARD FRAME

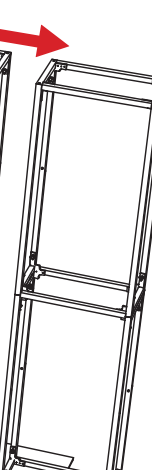
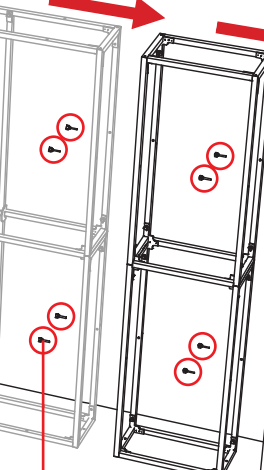
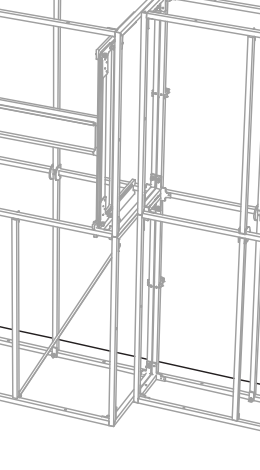
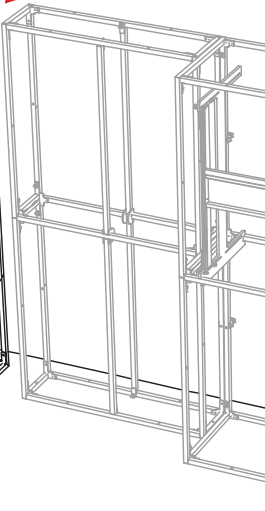
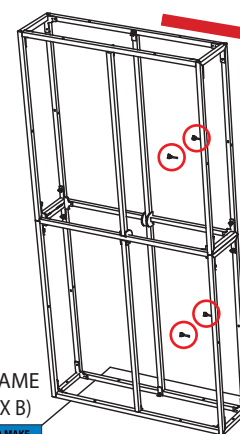


JOIN (2) **MQ-F24** ON BOTH SIDES WITH
(4) **PRESSURE CLAMPS** IN DIRECTION SHOWN

STANDARD FRAME (SEE APPENDIX D)
THIS PART USED TO MAKE
MQ-F14
1x4 STANDARD FRAME

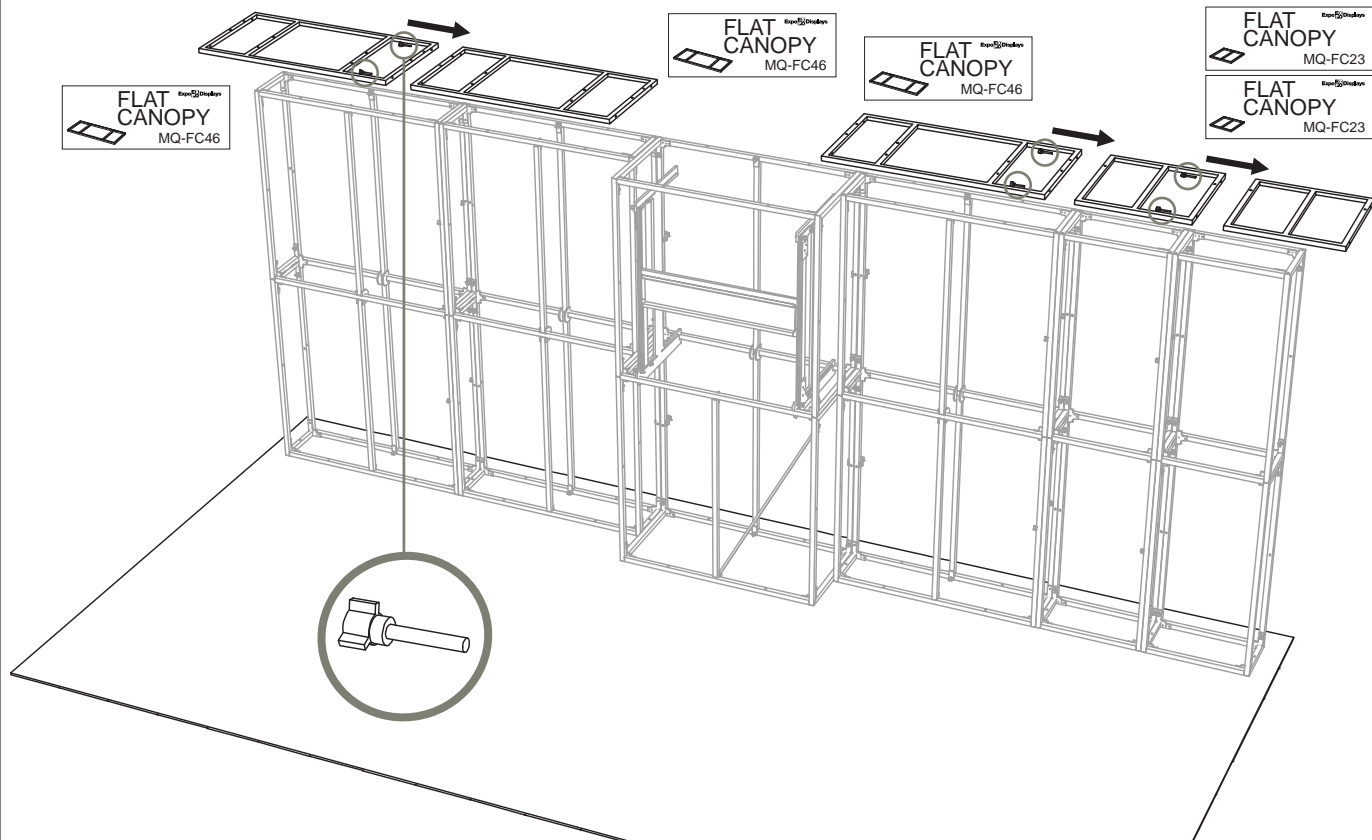
STANDARD FRAME (SEE APPENDIX D)
THIS PART USED TO MAKE
MQ-F14
1x4 STANDARD FRAME

STANDARD FRAME
(SEE APPENDIX B)
THIS PART USED TO MAKE
MQ-F24
2x4 STANDARD FRAME

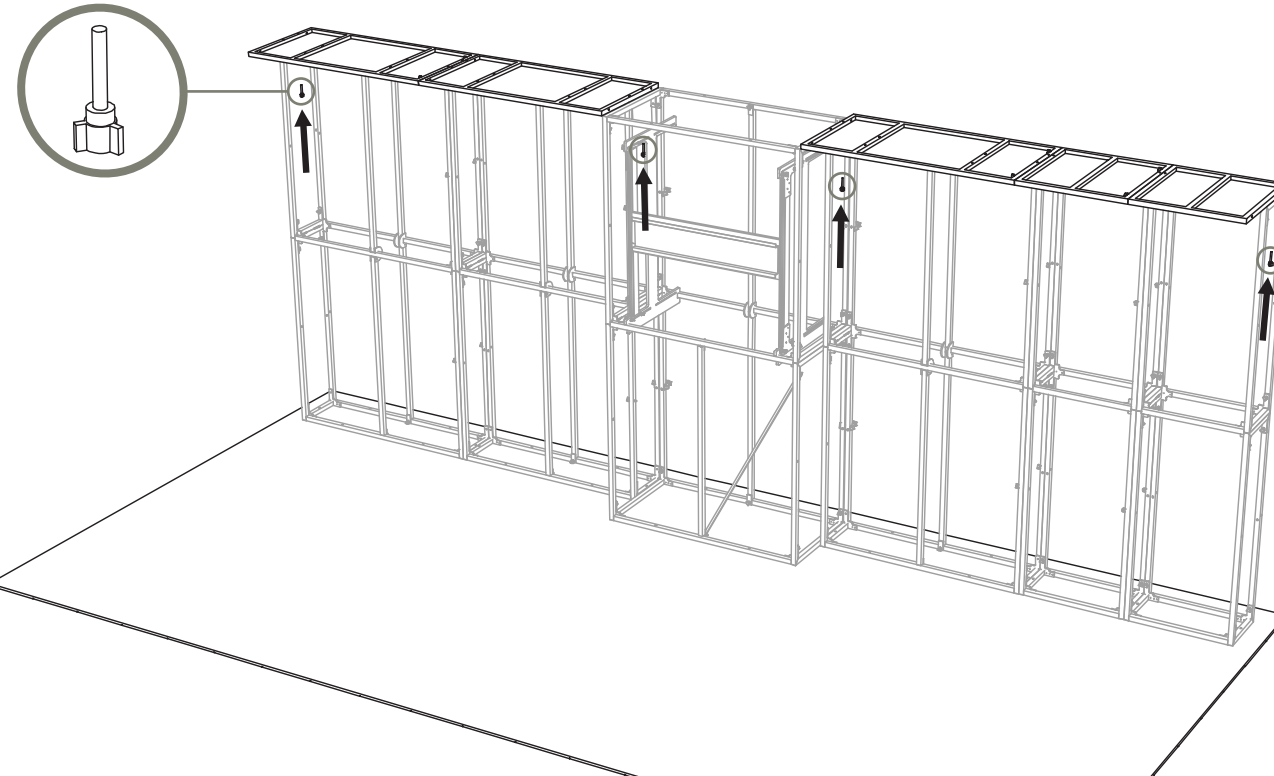


JOIN **MQ-F24** ON LEFT SIDE OF BOOTH THEN JOIN (2) **MQ-F14** ON
RIGHT SIDE OF BOOTH WITH (12) **RED THUMBSCREWS** IN DIRECTION SHOWN

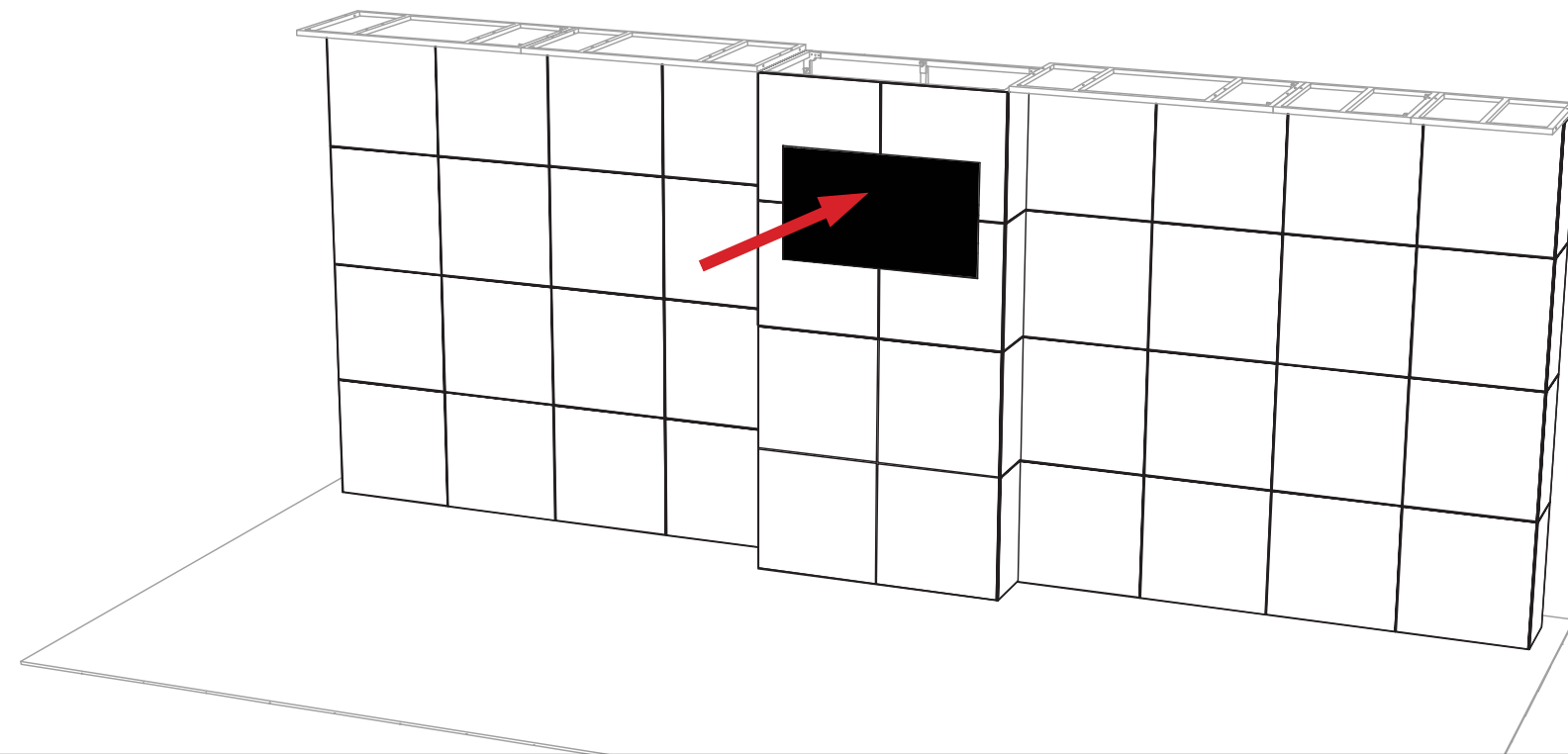
CANOPY ASSEMBLY



JOIN (2) 23 X 46 CANOPIES ON LEFT SIDE THEN JOIN 23 X 46 CANOPY & (2) 23 X 23 CANOPIES WITH (6) BLACK THUMBSCREWS IN DIRECTION SHOWN



ATTACH JOINED 23 X 46 CANOPIES & 23 X 23 CANOPIES WITH (4) BLACK THUMBSCREWS IN DIRECTION SHOWN



HANG 42" TV ON MEDIA MOUNT BEFORE PLACING GRAPHICS
SEE **GRAPHIC LAYOUT** ON FOLLOWING PAGE FOR GRAPHIC LOCATION



Expo EX PO Displays
A Division of Diamond Displays International

3401 Mary Taylor Road
Birmingham, Alabama 35235
(205) 439-8200

Project Title

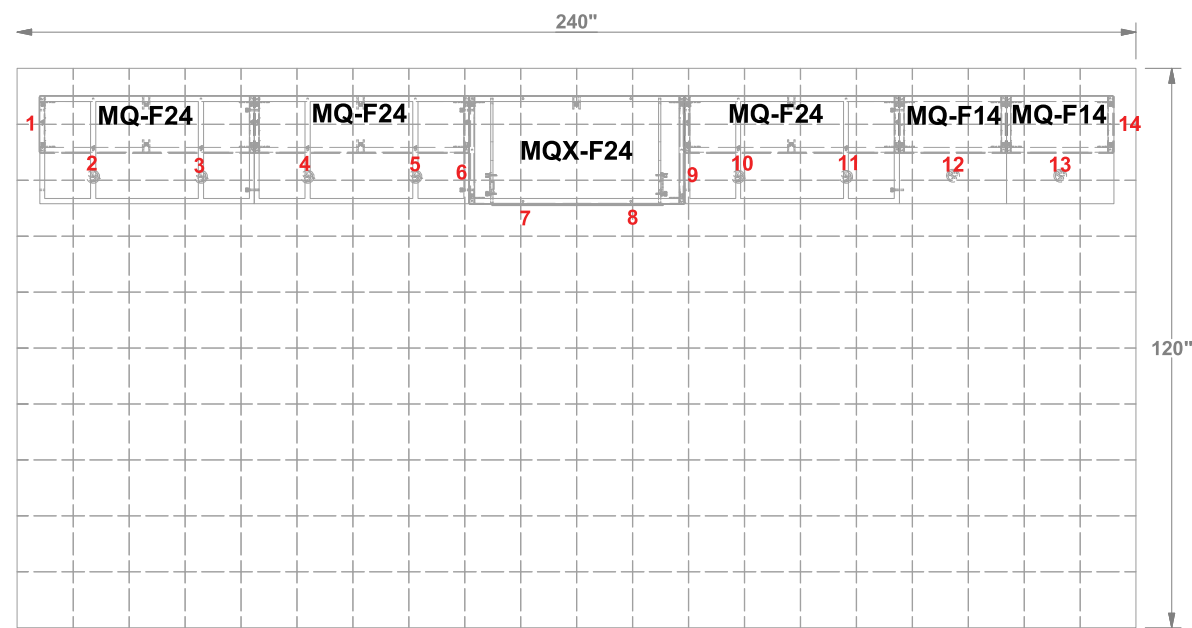
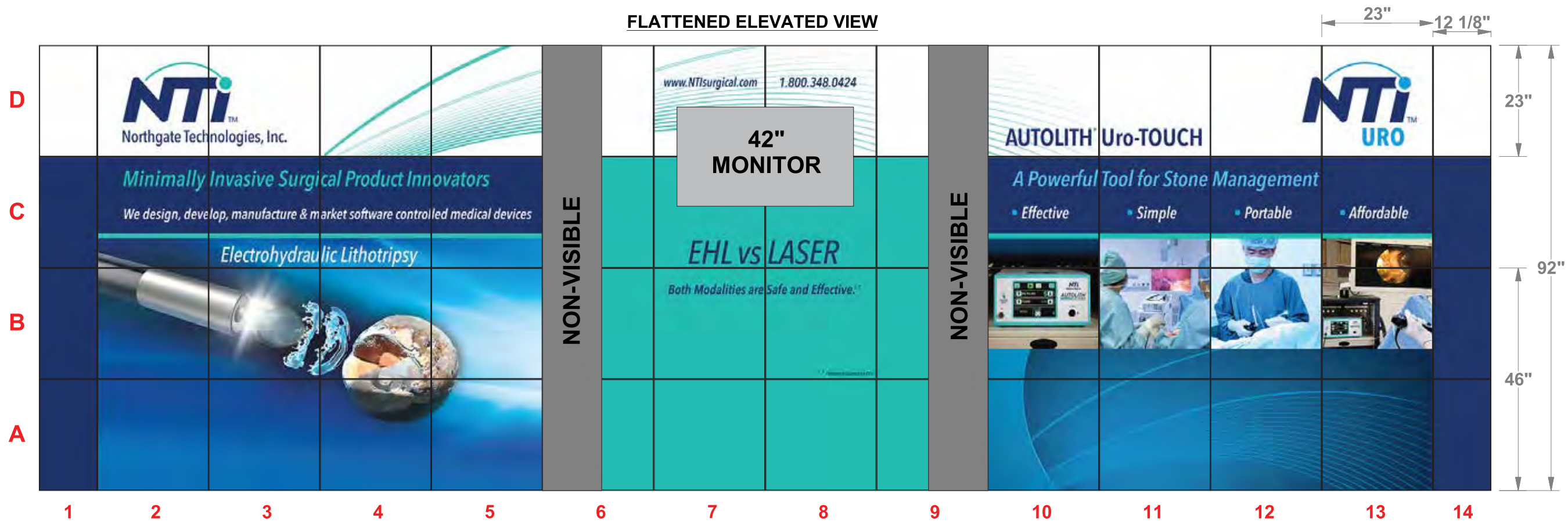
10x20 MULTIQUAD®

Sheet Title

ASSEMBLY INSTRUCTIONS
CANOPY ASSEMBLY

GRAPHIC LAYOUT

FLATTENED ELEVATED VIEW



TOP VIEW



Expo EXPO Displays®
A Division of Diamond Displays International

3401 Mary Taylor Road
Birmingham, Alabama 35235
(205) 439-8200






10x20 MULTIQUAD®

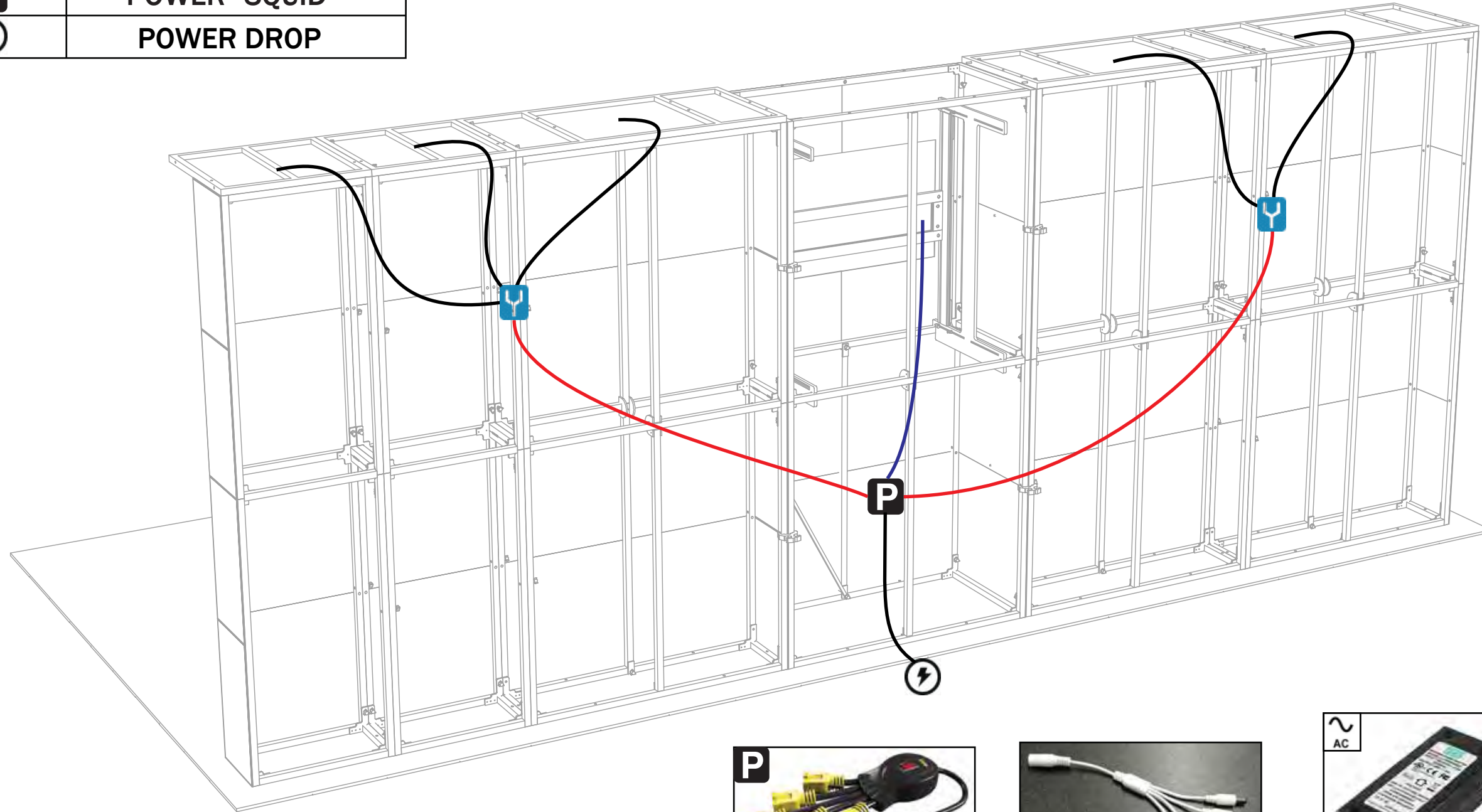
Project Title

Sheet Title

ASSEMBLY
INSTRUCTIONS
GRAPHIC LAYOUT

ELECTRICAL REQUIREMENTS

	POWER ADAPTER CORD
	EXTENSION CORD
	TV POWER CORD
	POWER "SQUID"
	POWER DROP



P
POWER "SQUID"
(PROVIDED)



Y
4 - WAY WHITE DC SPLITTER
(PROVIDED)



AC
AC ADAPTER



Expo EX PO Displays
A Division of Diamond Displays International

3401 Mary Taylor Road
Birmingham, Alabama 35235
(205) 439-8200

Project Title

10x20 MULTIQAD®

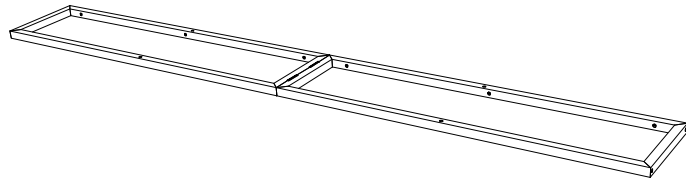
Sheet Title

**ASSEMBLY
INSTRUCTIONS**
**ELECTRICAL
REQUIREMENTS**

PARTS LIST		
QNTY	LABEL	NAME
1	LVH1	LEFT VERTICAL HINGED
1	RVH1	RIGHT VERTICAL HINGED
2	BH1	BOTTOM HORIZONTAL
2	MH1	MIDDLE HORIZONTAL
2	TH1	TOP HORIZONTAL
2	CVH1	CENTER VERTICAL HINGED
20	GRN	1" GREEN THUMB SCREW
4	RED	2" RED THUMB SCREW

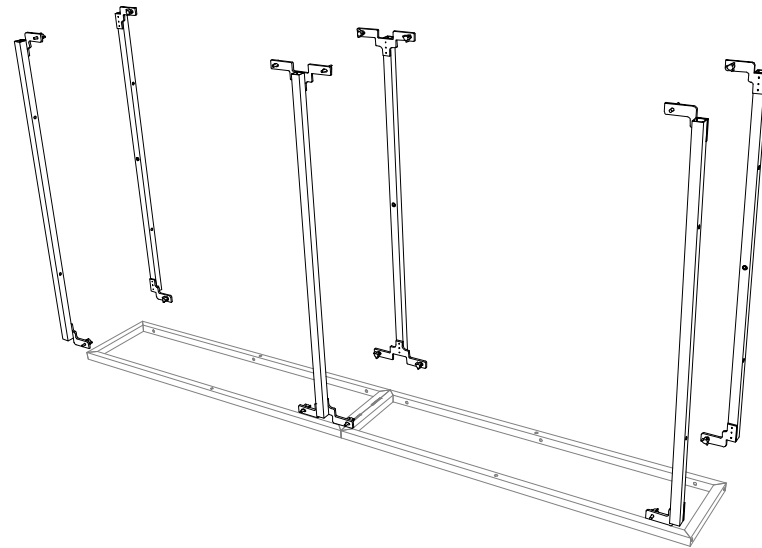
1st Step)

START WITH THE LEFT VERTICAL HINGED (LVH1) ON THE GROUND



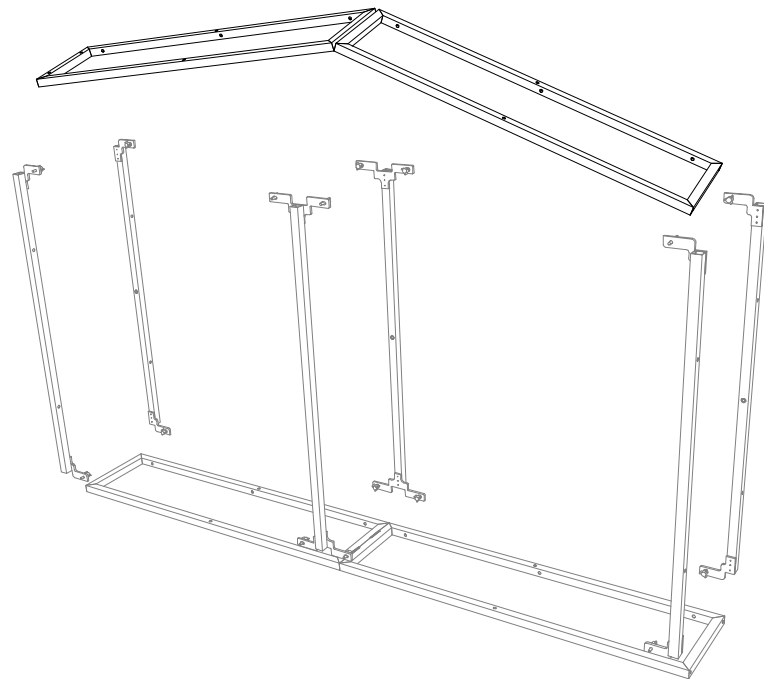
2nd Step)

ATTACH THE (2) TOP HORIZONTAL (TH1), THE (2) MIDDLE HORIZONTAL (MH1), AND THE (2) BOTTOM HORIZONTAL (BH1)



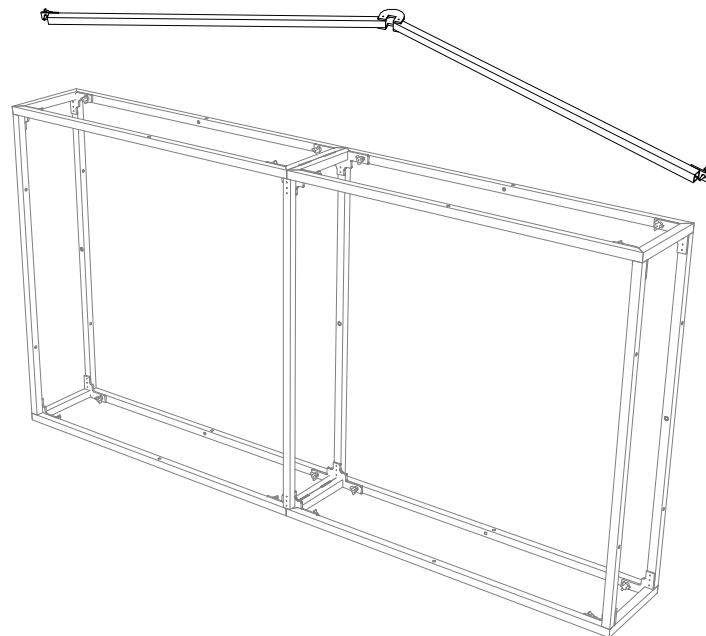
3rd Step)

ATTACH THE RIGHT HINGED SIDE (RVH1)

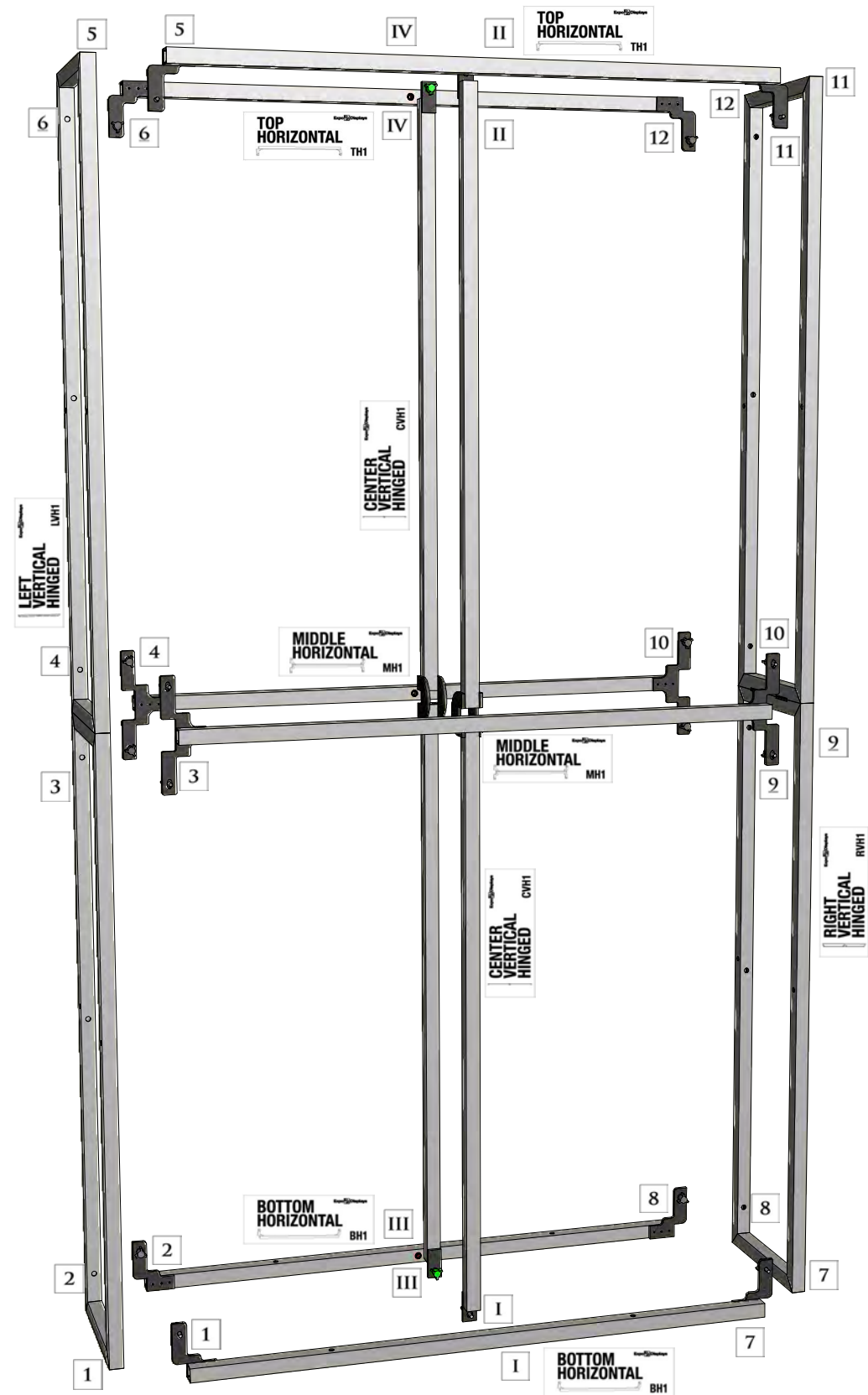


4th Step)

ATTACH THE (2) CENTER VERTICAL HINGED (CVH1) AND STAND UP-RIGHT



*MATCH NUMBERS TO CONSTRUCT



Expo Displays

3401 Mary Taylor Road
Birmingham, Alabama 35235
(205) 439-8200

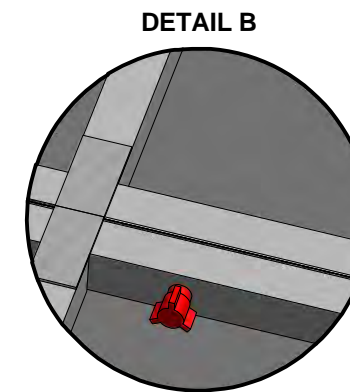
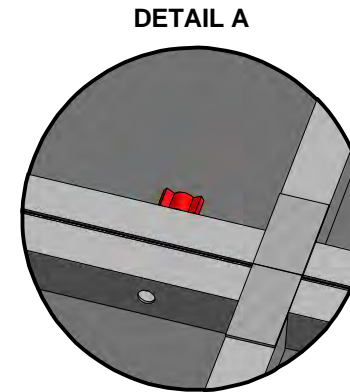
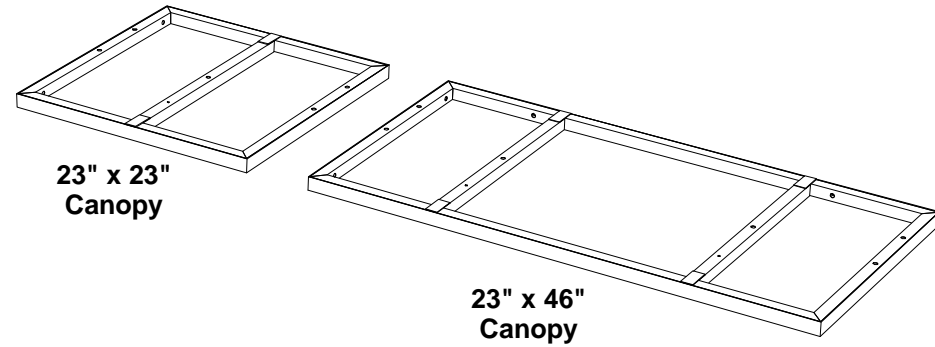
THIS PART USED TO MAKE
MQ-F24
2x4 STANDARD FRAME

ASSEMBLY
INSTRUCTIONS
2x4 STANDARD FRAME
MQ-F24

APPENDIX B

1st Step)

DETERMINE WHAT SIZE CANOPY IS APPLIED TO FRAMEWORK. EACH CANOPY SIZE CAN BE APPLIED TO BOTH A STANDARD SIZE FRAME AND A MAX SIZE FRAME. THEY CAN ALSO BE ORIENTED IN A SINGLE-SIDED OR DOUBLE-SIDED PLACEMENT. DOUBLE-SIDED USES (2) CANOPIES CONNECTED TOGETHER.



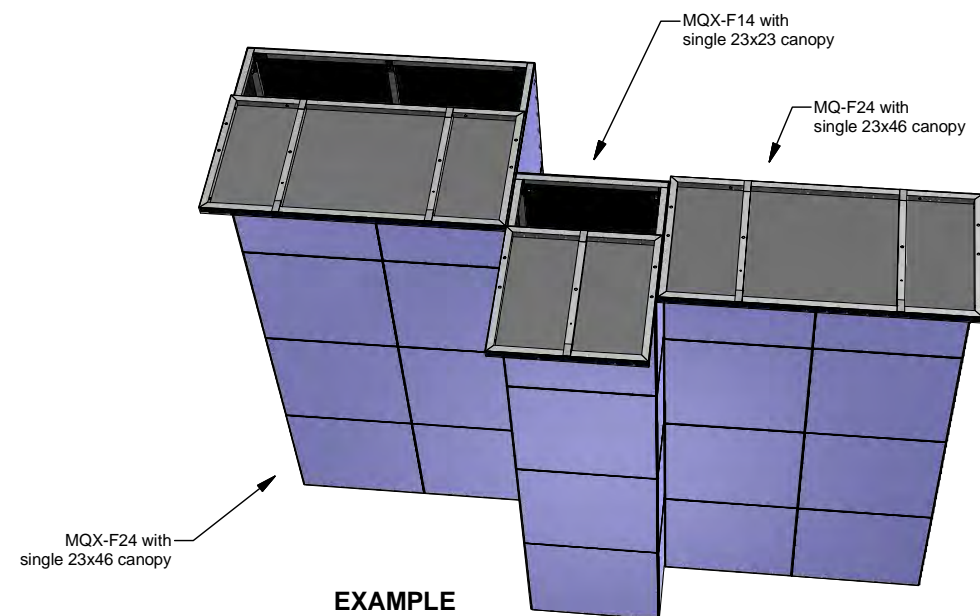
2nd Step)

LOCATE THRU HOLES ON TOP OF MULTIQUAD FRAME. USE BLACK THUMB SCREWS AND BOLT CANOPY TO FRAME FROM UNDERNEATH. RUN ELECTRICAL WIRING FOR LIGHTS INTO CENTER OF FRAME AND PLUG INTO POWER SOURCE.



3rd Step)

IF CREATING A DOUBLE-SIDED CANOPY, FOLLOW STEP 1 & 2 FOR THE OPPOSITE SIDE. CONNECT (2) CANOPIES TOGETHER USING RED THUMB SCREWS.



Expo Displays

3401 Mary Taylor Road
Birmingham, Alabama 35235
(205) 439-8200

FLAT CANOPY
MQ-FC2346

FLAT CANOPY
MQ-FC2323

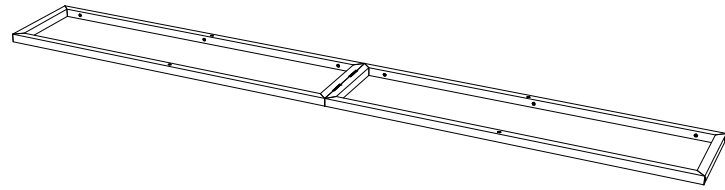
ASSEMBLY INSTRUCTIONS

MQ CANOPY

APPENDIX C1

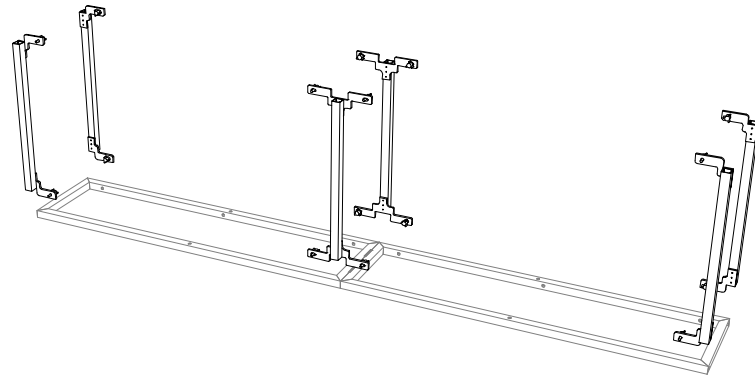
1st Step)

START WITH THE LEFT VERTICAL HINGED (LVH1) ON THE GROUND



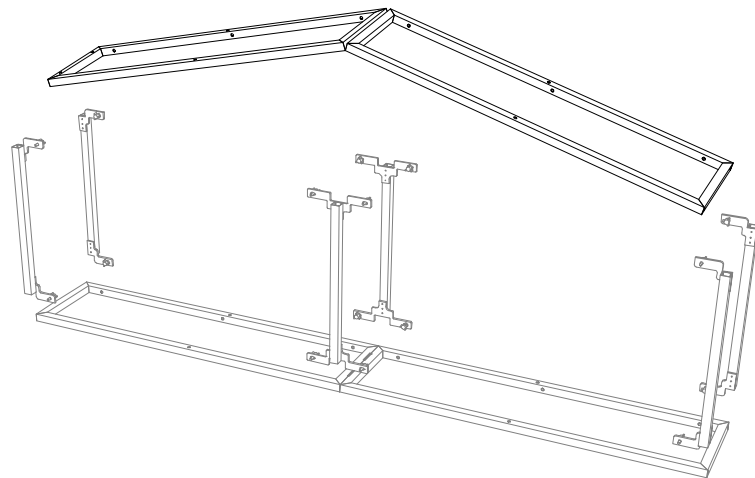
2nd Step)

ATTACH THE (2) TOP HORIZONTAL (TH2), THE (2) MIDDLE HORIZONTAL (MH2), AND THE (2) BOTTOM HORIZONTAL (BH2)



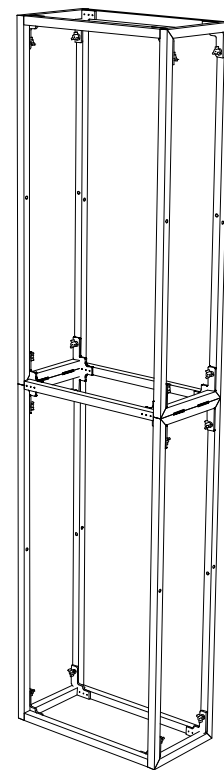
3rd Step)

ATTACH THE RIGHT HINGED SIDE (RVH1)



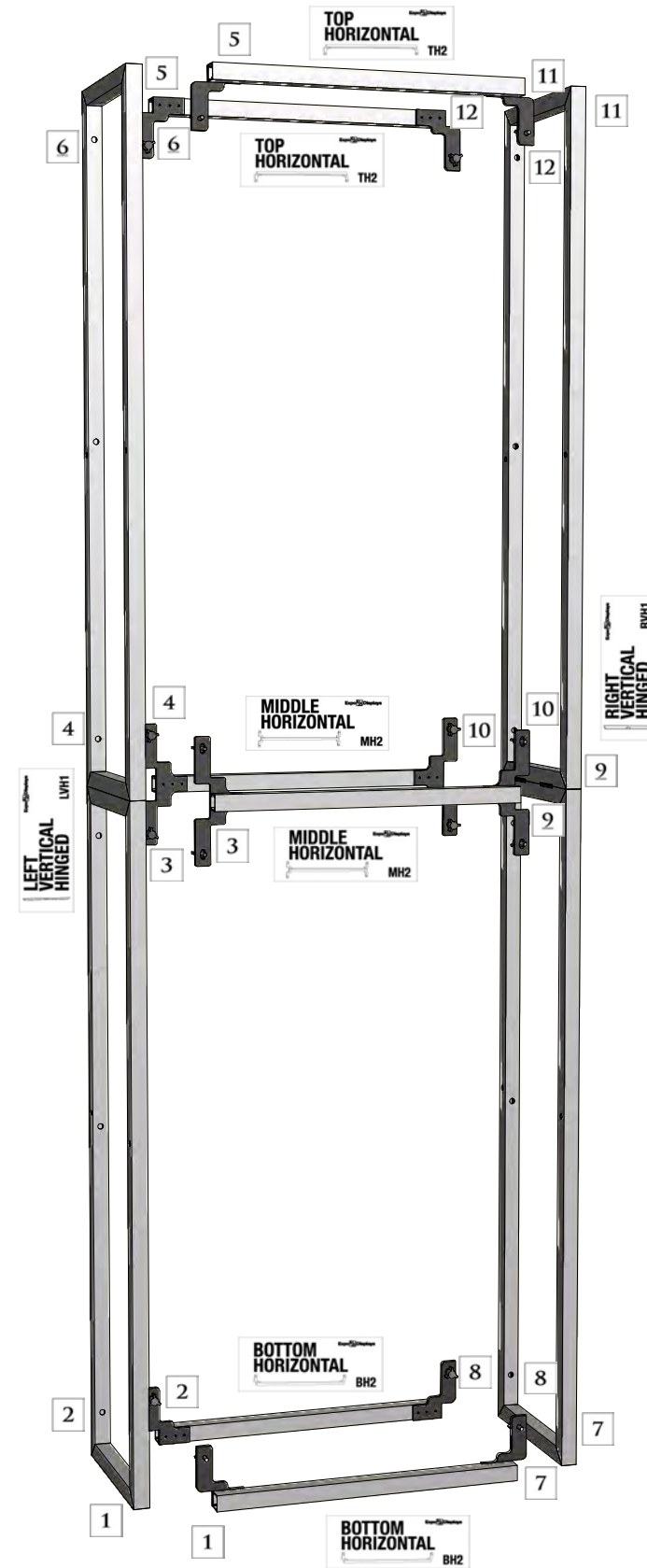
4th Step)

STAND UP-RIGHT



PARTS LIST		
QNTY	LABEL	NAME
1	LVH1	LEFT VERTICAL HINGED
1	RVH1	RIGHT VERTICAL HINGED
2	BH2	BOTTOM HORIZONTAL
2	MH2	MIDDLE HORIZONTAL
2	TH2	TOP HORIZONTAL
16	GRN	1" GREEN THUMB SCREW
4	RED	2" RED THUMB SCREW

***MATCH NUMBERS TO CONSTRUCT**



Expo Displays

3401 Mary Taylor Road
Birmingham, Alabama 35235
(205) 439-8200

THIS PART USED TO MAKE
MQ-F14
1x4 STANDARD FRAME

ASSEMBLY INSTRUCTIONS
1x4 STANDARD FRAME
MQ-F14

APPENDIX D

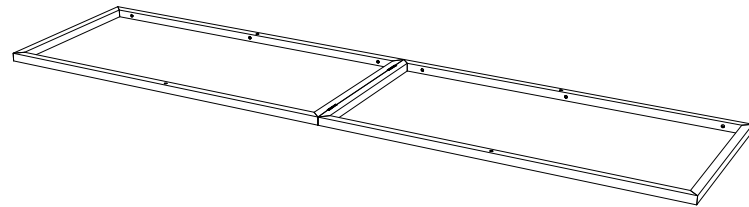
PARTS LIST		
QNTY	LABEL	NAME
1	LVHX	LEFT VERTICAL HINGED MAX
1	RVHX	RIGHT VERTICAL HINGED MAX
2	BH1	BOTTOM HORIZONTAL BAR
2	TH1	TOP HORIZONTAL BAR
2	MH1	MIDDLE HORIZONTAL BAR
1	CVH1	CENTER VERTICAL HINGED BAR
1	CVH2	CENTER VERTICAL HALF
20	GRN	1" GREEN THUMB SCREW
1	MQX-MM1	MAX MEDIA MOUNT
1	DIAGONAL	DIAGONAL CROSS BEAM

NOTE:

REFER TO APPENDIX J FOR BASIC MQX-F24 FRAME ASSEMBLY AND APPENDIX J7 FOR MAX MEDIA MOUNT ASSEMBLY

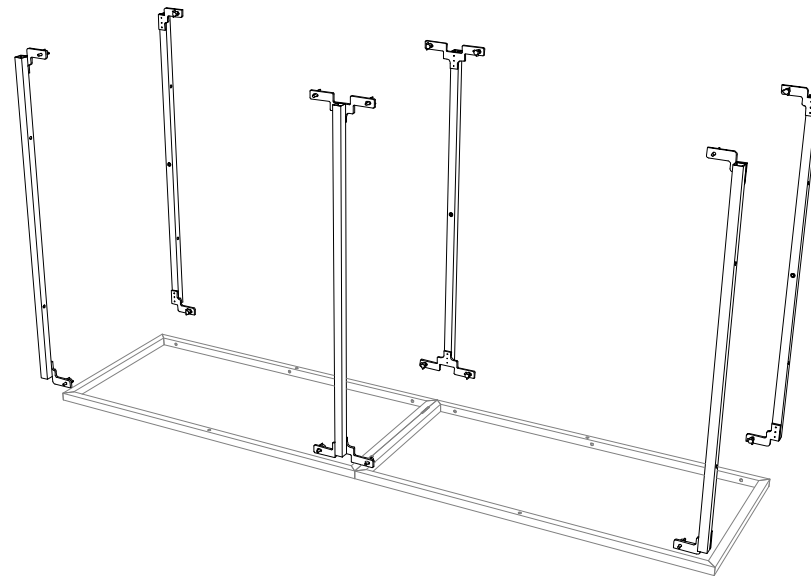
1st Step)

START WITH THE LEFT VERTICAL (LVHX) ON THE GROUND



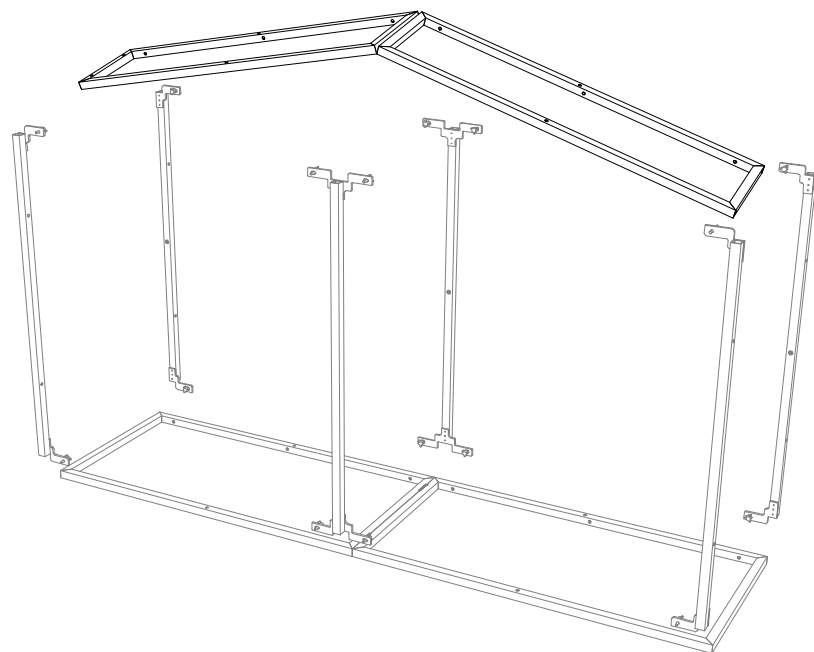
2nd Step)

ATTACH THE (2) TOP HORIZONTAL (TH1), THE (2) MIDDLE HORIZONTAL (MH1), AND THE (2) BOTTOM HORIZONTAL (BH1)



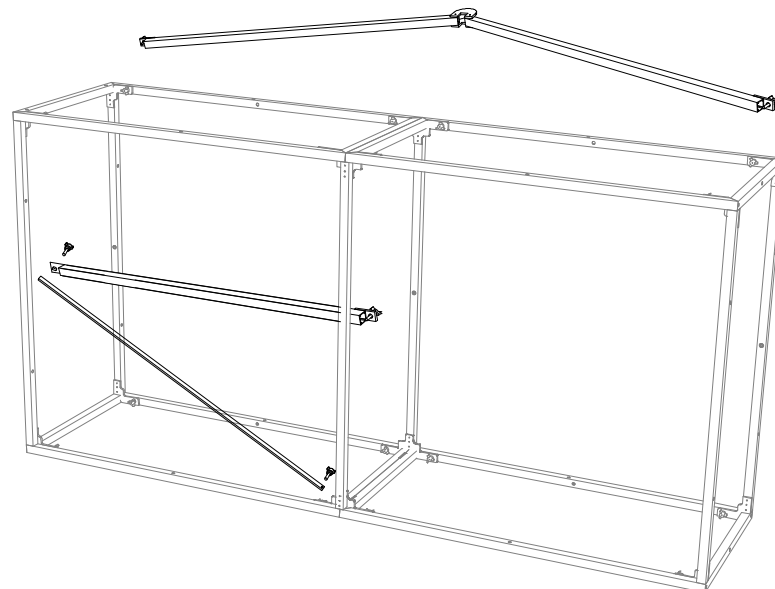
3rd Step)

ATTACH THE RIGHT HINGED SIDE (RVH1)



4th Step)

ATTACH THE (1) CENTER VERTICAL HINGED (CVH1) TO BACK OF FRAME, AND (1) CENTER VERTICAL (CVH2) AND (1) 48.5" DIAGONAL CROSS BEAM TO BOTTOM-FRONT OF FRAME, AND STAND UPRIGHT



*MATCH NUMBERS TO CONSTRUCT



Expo Displays

3401 Mary Taylor Road
Birmingham, Alabama 35235
(205) 439-8200



ASSEMBLY INSTRUCTIONS

MQX-F24 WITH MAX MEDIA MOUNT

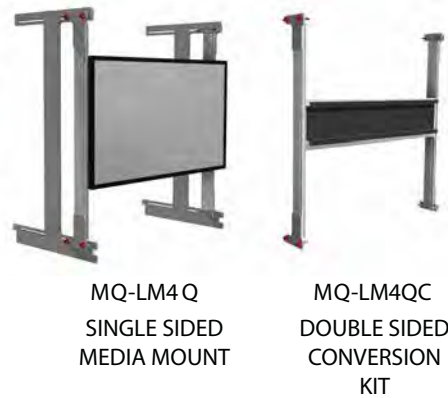
APPENDIX J6

PARTS LIST:

#	LABEL	NAME
1	MQ-LM4QD	MAX MEDIA MOUNT

1st Step)

THIS SET OF ASSEMBLY INSTRUCTIONS FOCUSES ON THE SINGLE - SIDED MOUNT (MQ-LM4QD). THE SAME PROCEDURES APPLY WHEN SETTING UP THE DOUBLE SIDED (MQ-LM4Q) AND THE DOUBLE SIDED CONVERSION KIT (MQ-LM4QC)



MQ-LM4Q
SINGLE SIDED
MEDIA MOUNT

MQ-LM4QC
DOUBLE SIDED
CONVERSION
KIT



2nd Step)

AN M10 HEX KEY WILL BE INCLUDED WITH THE MOUNT THAT WILL BE USED TO FASTEN THE EXTRUSIONS TOGETHER.



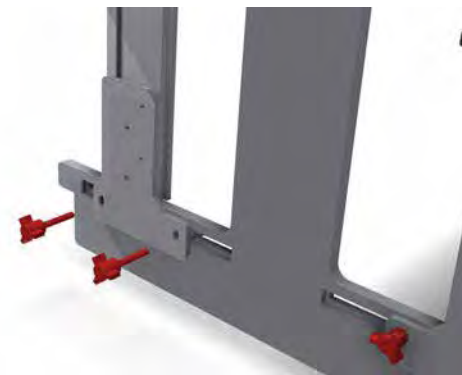
M10 HEX KEY

THE CIRCLES REPRESENT THE EXTRUSION LOCKS.

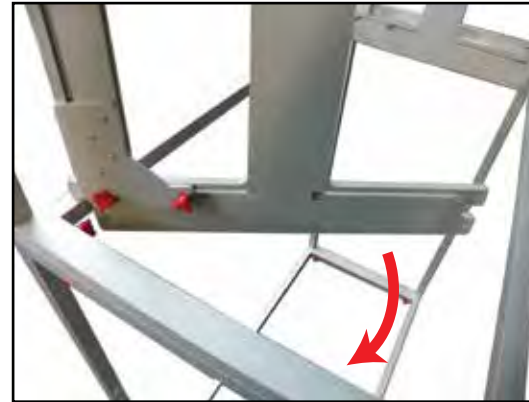
TIGHTEN THE LOCKS USING THE HEX KEY BY TURNING IT CLOCKWISE UNTIL THE MECHANISM LOCKS INSIDE THE CHANNEL.



USE THE M10 HEX KEY TO TIGHTEN THE LOCKS THAT ATTACH THE VESA TV MOUNT TO THE ARMS.



ATTACH THE ASSEMBLED ARMS TO THE "I" SHAPED CENTER VERTICAL SUPPORT USING THE PROVIDED RED THUMBSCREWS AND WING NUTS.



4th Step)

LINE THE MONITOR'S CENTER WITHIN THE CENTER OF THE FRAME. THEN GENTLY HOOK THE UNIT'S BACK ONTO THE FRAME



THE "I" SHAPED CENTER HOOKS ON TO THE BACK OF THE MQXF24 FRAME.

NOTE: EXPODISPLAYS® WILL OFTEN ADD ARROWS ON THE EXTRUSIONS TO INDICATE THE IDEAL LOCATION OF THE MONITORS. SIMPLY CONNECT THE ARROWS.



5th Step)

CHECK TO MAKE SURE MONITOR BRACKET IS LEVEL USING BUBBLE INDICATOR ON FRONT

