

WHEN ASSEMBLING **EX PO MultiQuad**[®]

REMEMBER YOUR **ABC**'s...

ASSEMBLE EACH COMPONENT SEPARATELY

BUILD THE DESIRED LAYOUT

COVER YOUR MULTIQUAD LAYOUT WITH QUADS



EX PO MultiQuad[®]
An **ExpoDisplays** Product

10 x 20 Custom MultiQuad[®]

EX PO

Expo EX PO Displays[®]
A Division of Diamond Displays International

3401 Mary Taylor Road
Birmingham, Alabama 35235
(205) 439-8200

Job #: 70515

Project Title

10x20 MULTIQUAD[®]

Sheet Title

**ASSEMBLY
INSTRUCTIONS
COVER SHEET**

Page 1



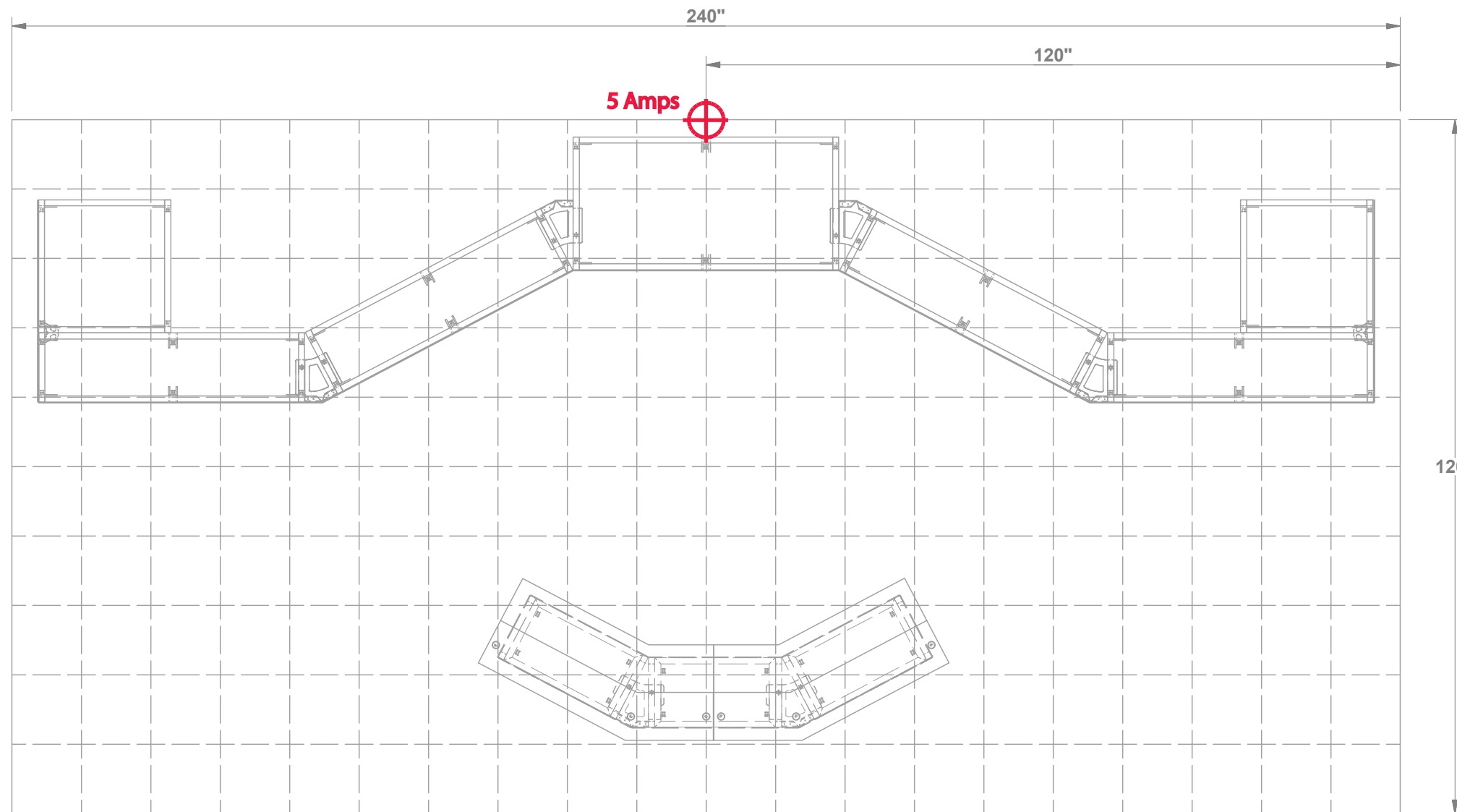
Project Title

10x20 MULTIQAD®

Sheet Title

**ASSEMBLY INSTRUCTIONS
ELECTRICAL PLAN**

BOOTH # _____ ↗



BOOTH # _____ ↗

BOOTH # _____ ↗

BOOTH # _____ ↘

FRONT OF DISPLAY

1 Square = 1'- 0"

	MAIN ELECTRICAL DROP
	ELECTRICAL OUTLET
	POWER CORDS RUN UNDER CARPET

SHOW: _____

BOOTH: _____



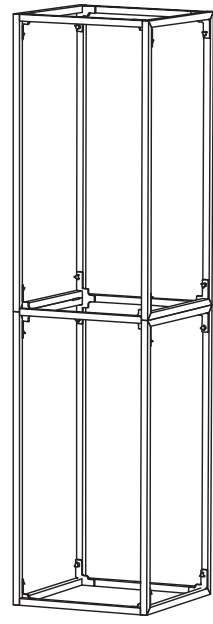
Project Title

10x20 MULTIQAD®

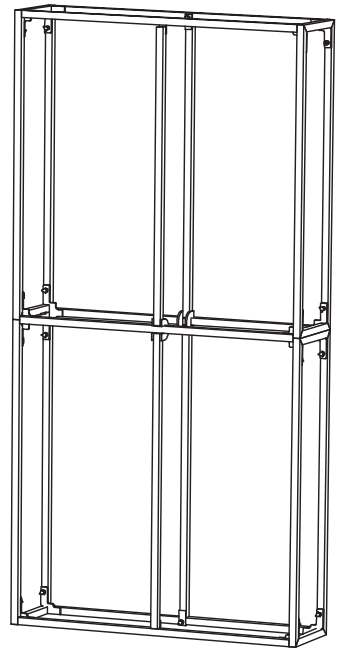
Sheet Title

**ASSEMBLY
INSTRUCTIONS
EXPLODED LAYOUT**

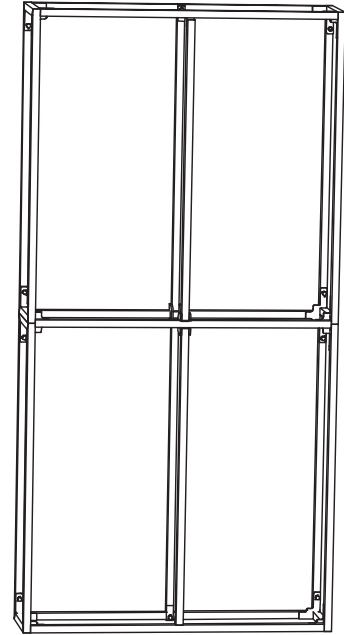
MAX FRAME
(SEE APPENDIX N)
THIS PART USED TO MAKE
MOX-F14
1x4 MAX FRAME



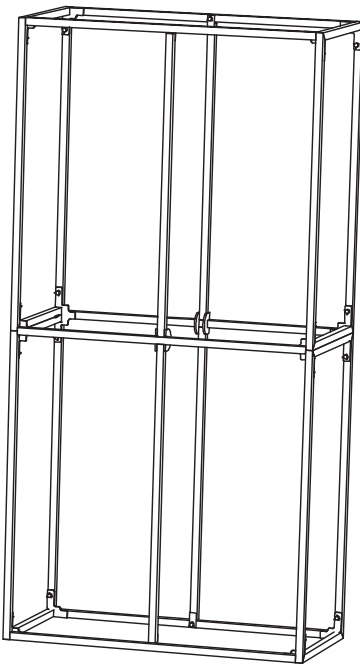
STANDARD FRAME
(SEE APPENDIX B)
THIS PART USED TO MAKE
MQ-F24
2x4 STANDARD FRAME



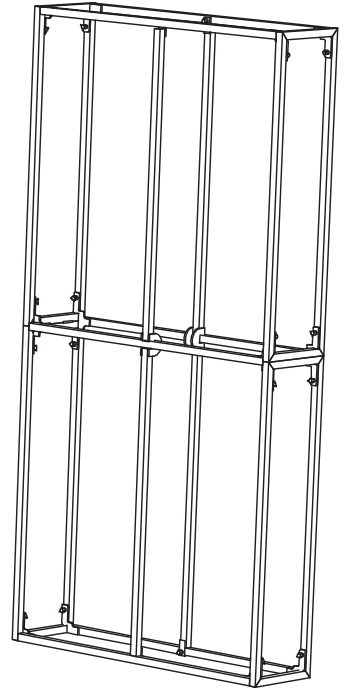
STANDARD FRAME
(SEE APPENDIX B)
THIS PART USED TO MAKE
MQ-F24
2x4 STANDARD FRAME



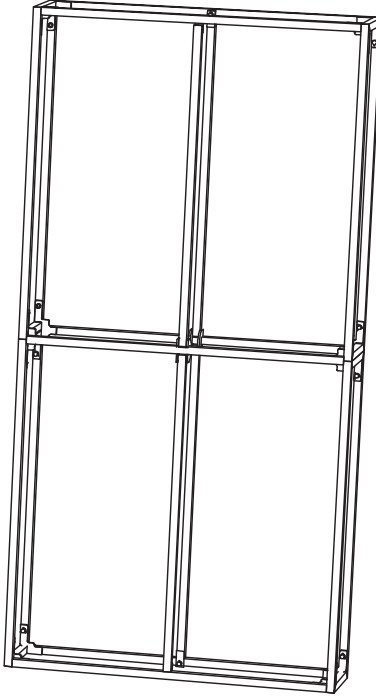
MAX FRAME
(SEE APPENDIX J)
THIS PART USED TO MAKE
MOX-F24
2x4 MAX FRAME



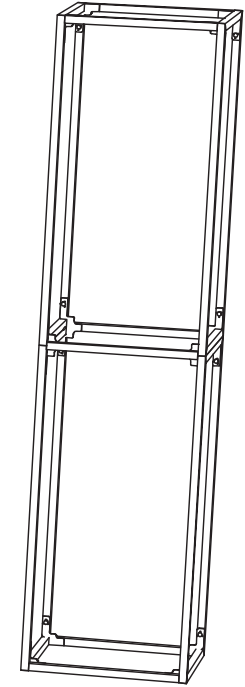
STANDARD FRAME
(SEE APPENDIX B)
THIS PART USED TO MAKE
MQ-F24
2x4 STANDARD FRAME



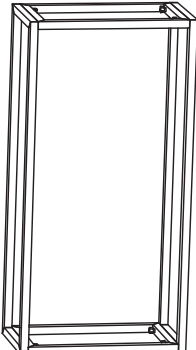
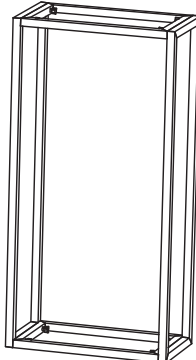
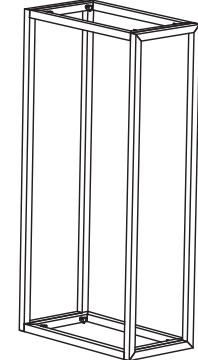
STANDARD FRAME
(SEE APPENDIX B)
THIS PART USED TO MAKE
MQ-F24
2x4 STANDARD FRAME



MAX FRAME
(SEE APPENDIX N)
THIS PART USED TO MAKE
MOX-F14
1x4 MAX FRAME



THIS PART USED TO MAKE
MQ-F12
1x2 STANDARD FRAME
STANDARD FRAME
(SEE APPENDIX T)

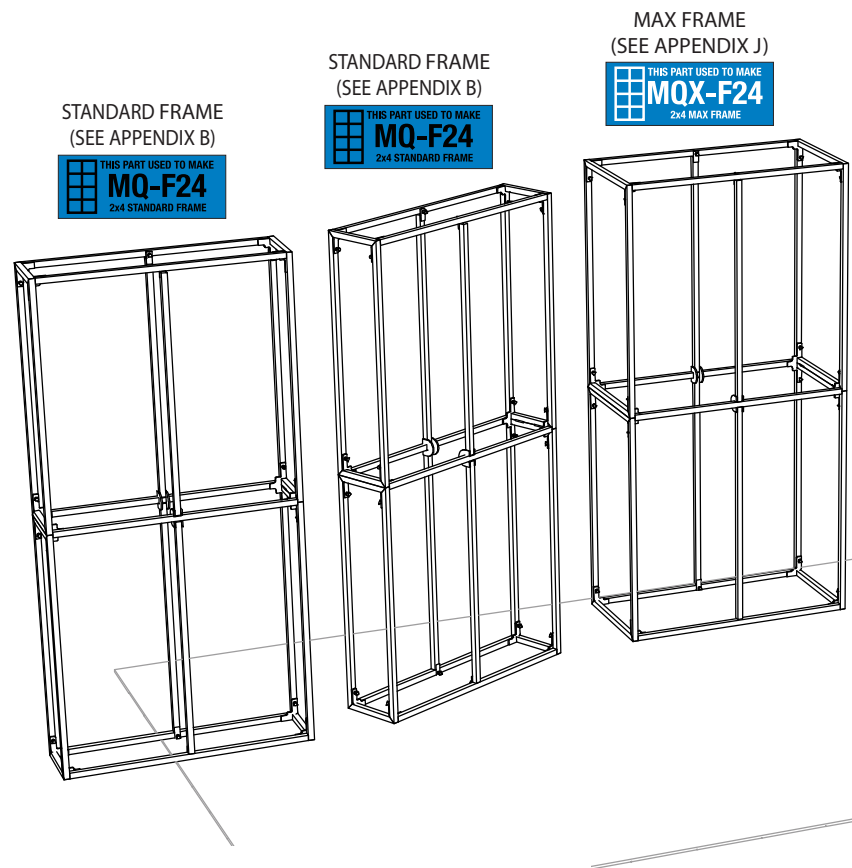


THIS PART USED TO MAKE
MQ-F12
1x2 STANDARD FRAME
STANDARD FRAME
(SEE APPENDIX T)

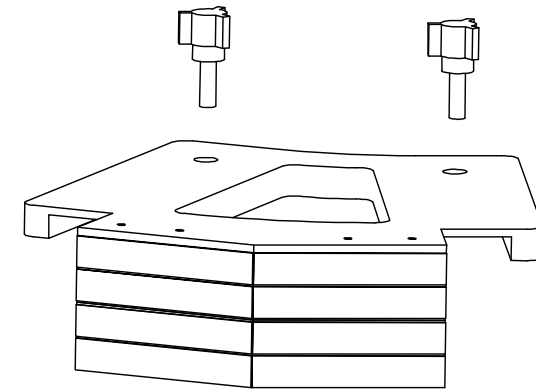
THIS PART USED TO MAKE
MQ-F12
1x2 STANDARD FRAME
STANDARD FRAME
(SEE APPENDIX T)

**ASSEMBLE ALL LISTED FRAMES SEPARATELY
USING APPENDIX PAGES**

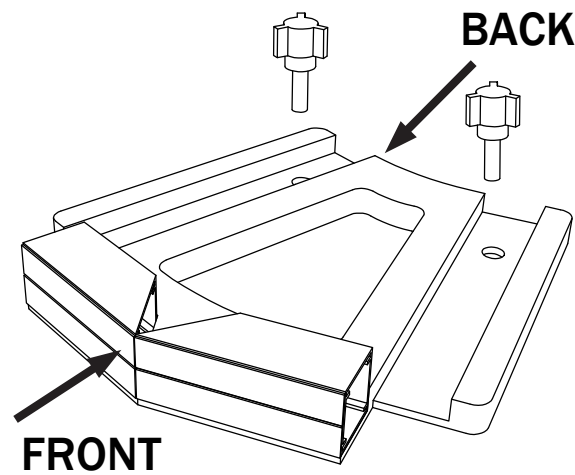
SEE FLOORPLAN ON PAGE 2
FOR POSITION OF LEFT FRAMES



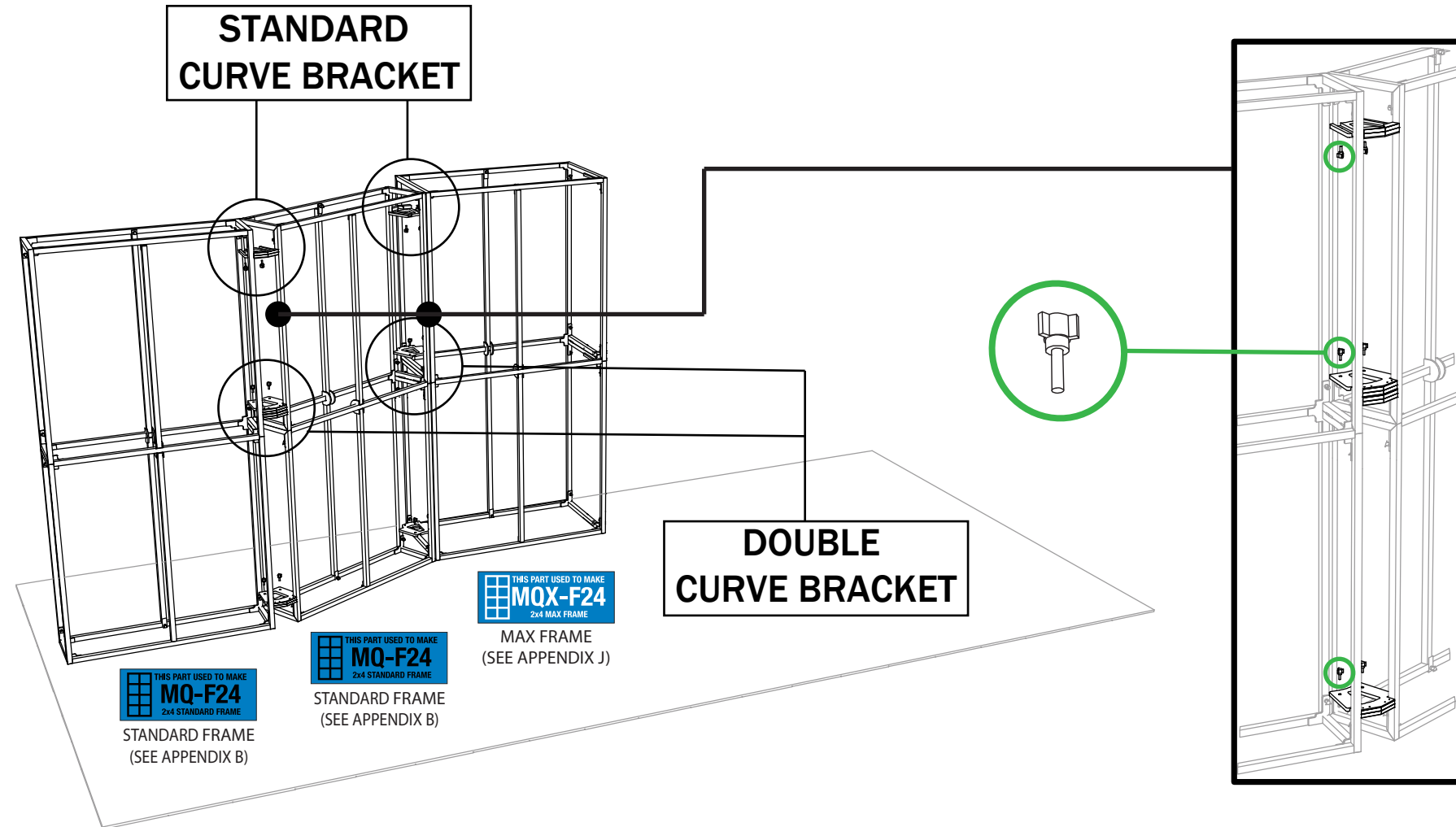
DOUBLE CURVE BRACKET



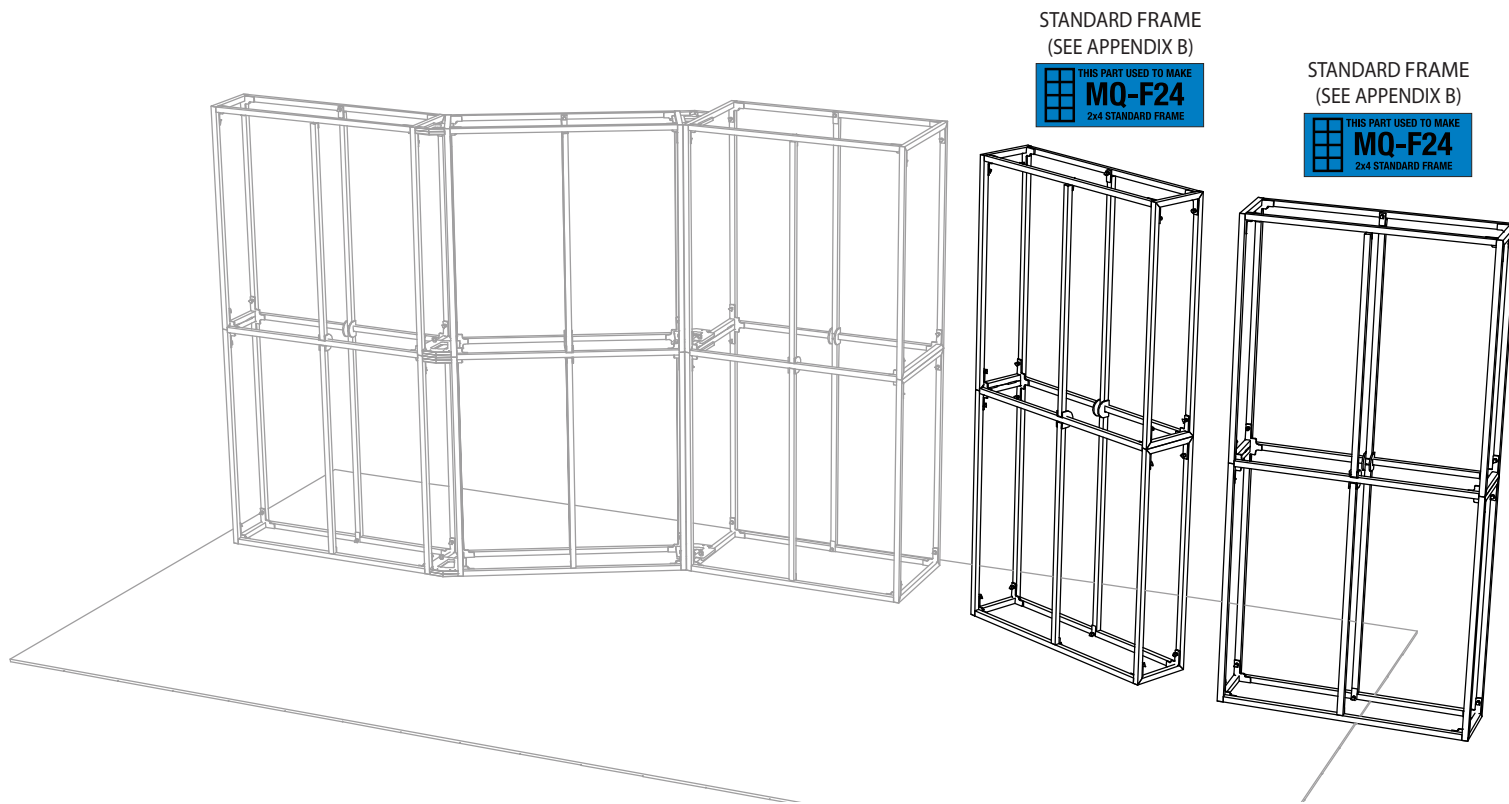
STANDARD CURVE BRACKET



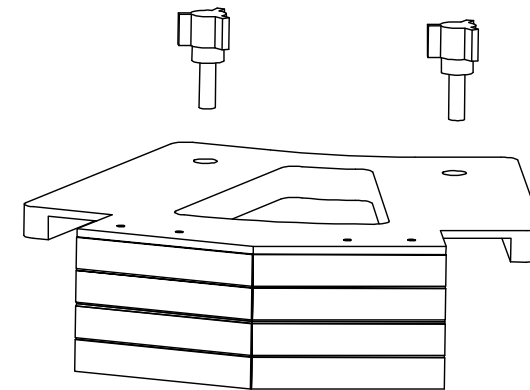
JOIN FRAMES TO
(4) MULTIQUAD® STANDARD
CURVE BRACKETS AND
(2) MULTIQUAD® DOUBLE
CURVE BRACKETS
WITH (12) GREEN THUMBSCREWS



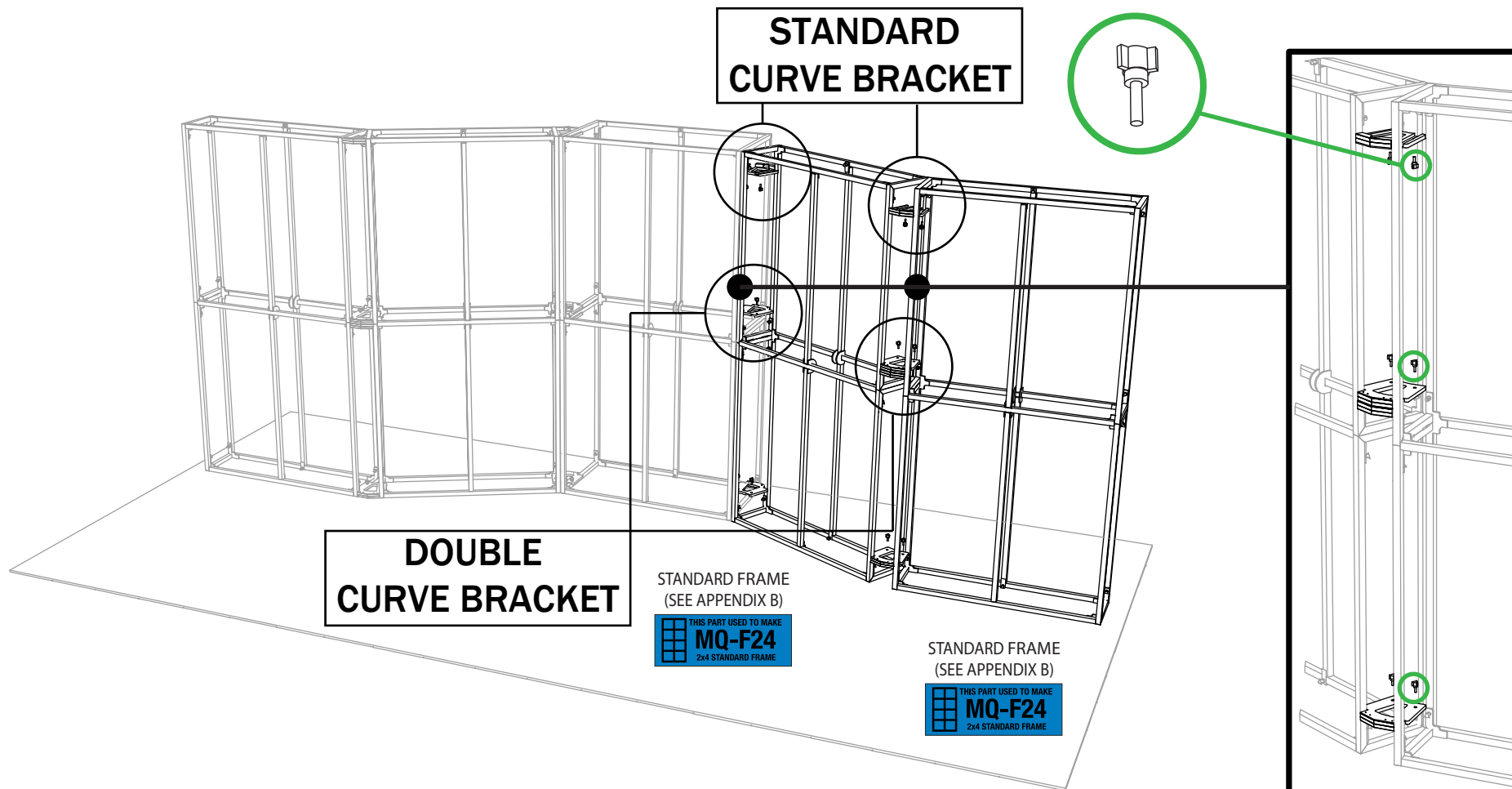
SEE FLOORPLAN ON PAGE 2
FOR POSITION OF RIGHT FRAMES



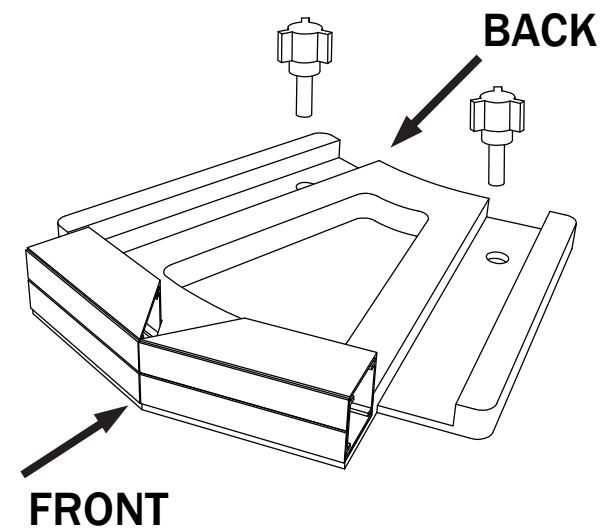
DOUBLE CURVE BRACKET



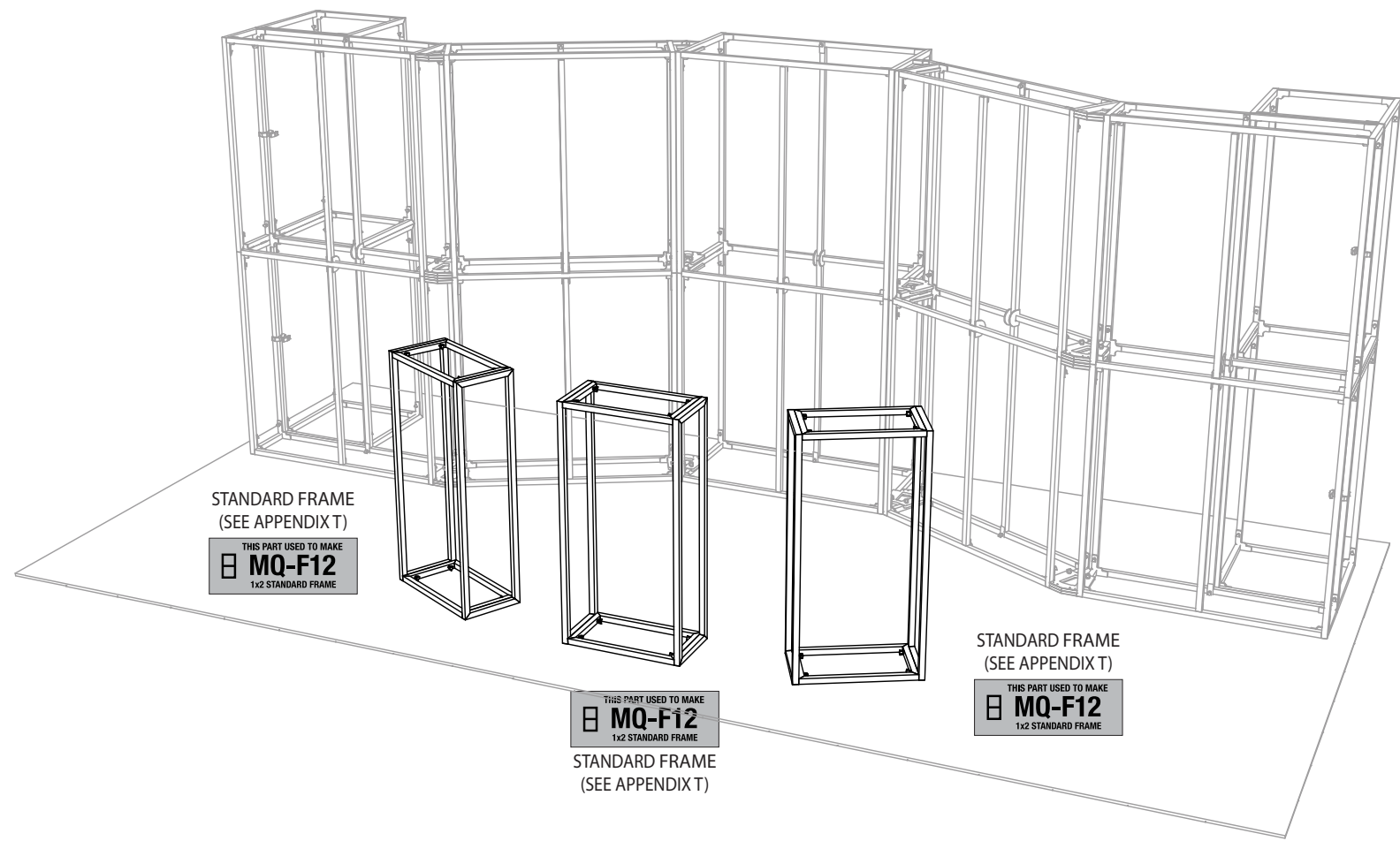
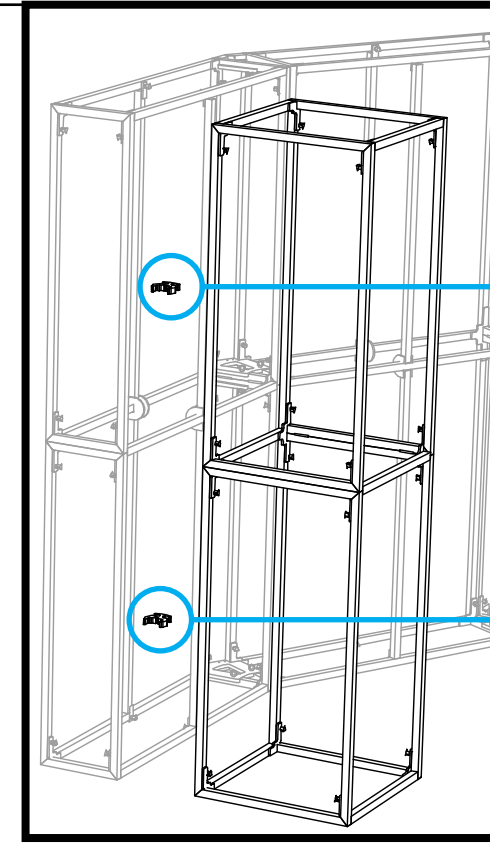
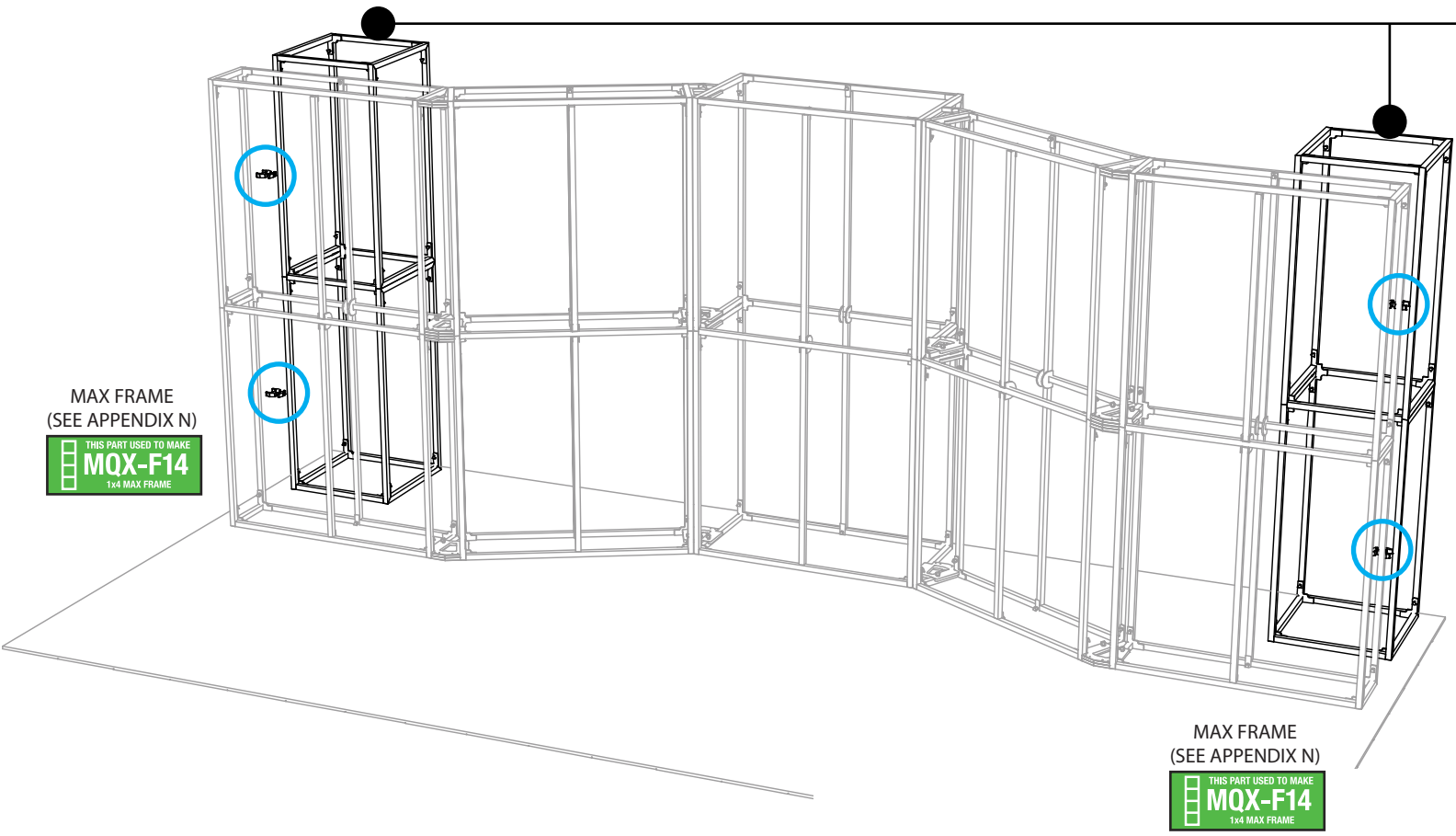
STANDARD CURVE BRACKET



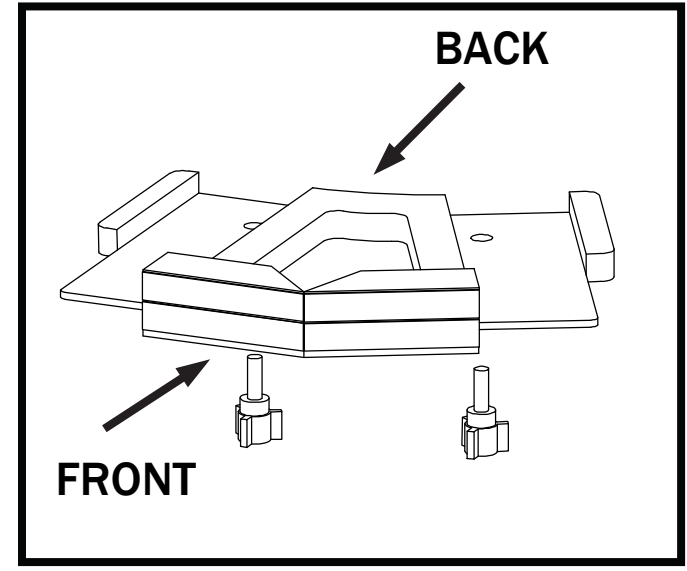
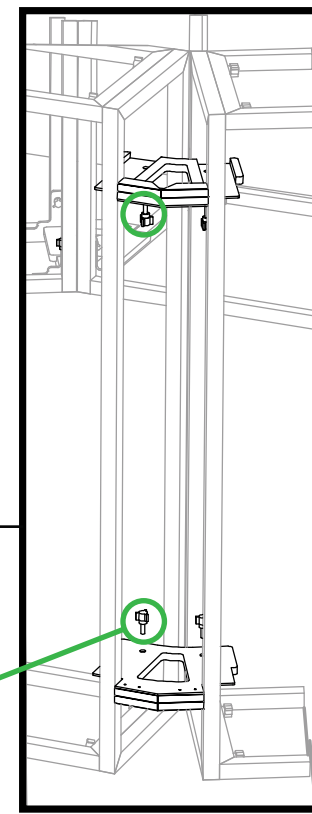
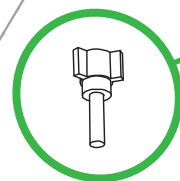
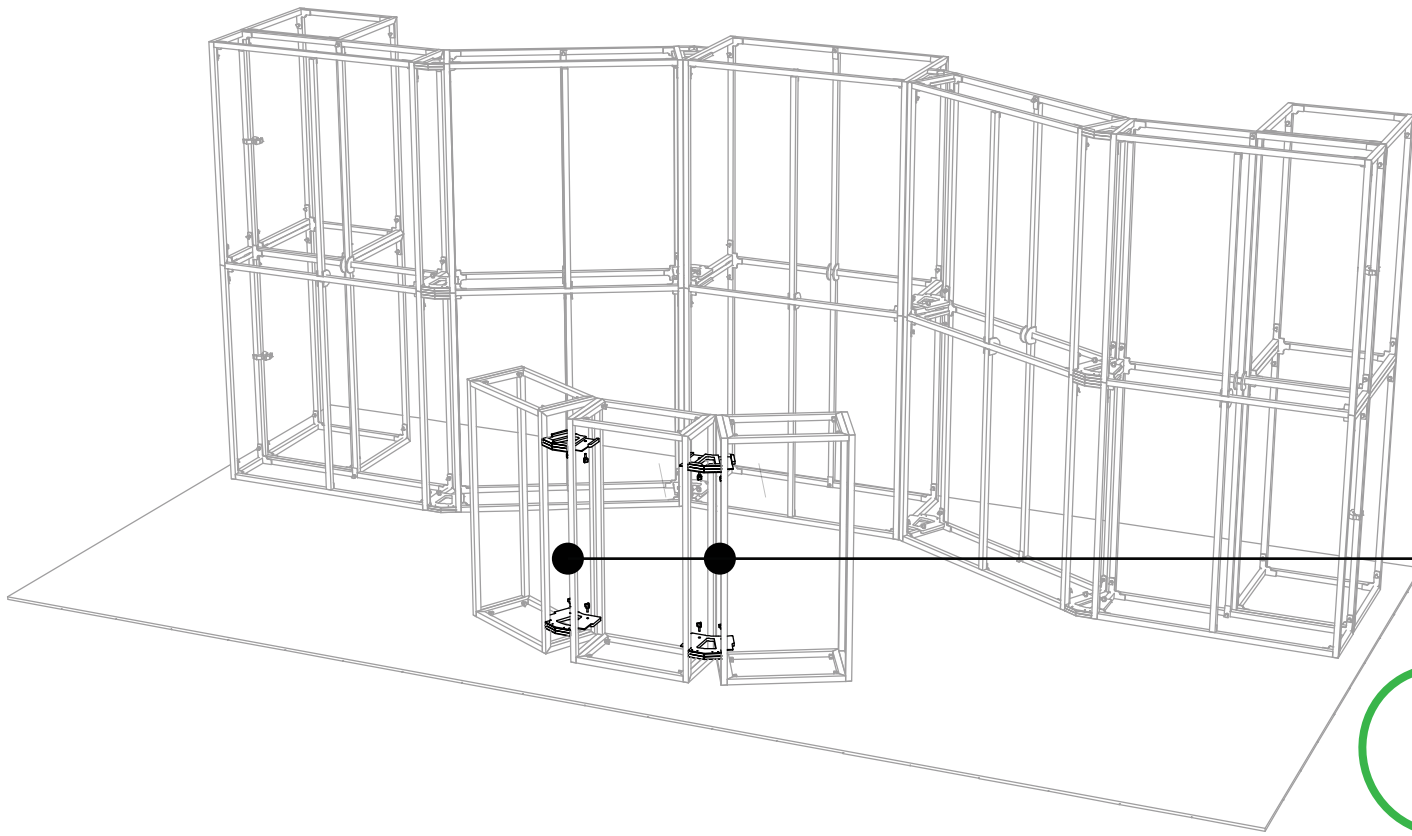
STANDARD CURVE BRACKET



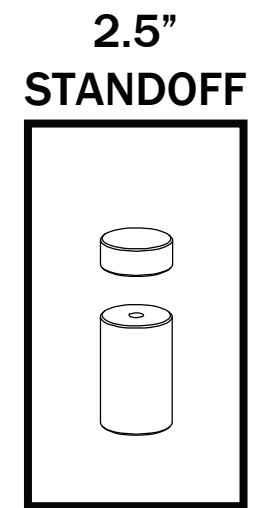
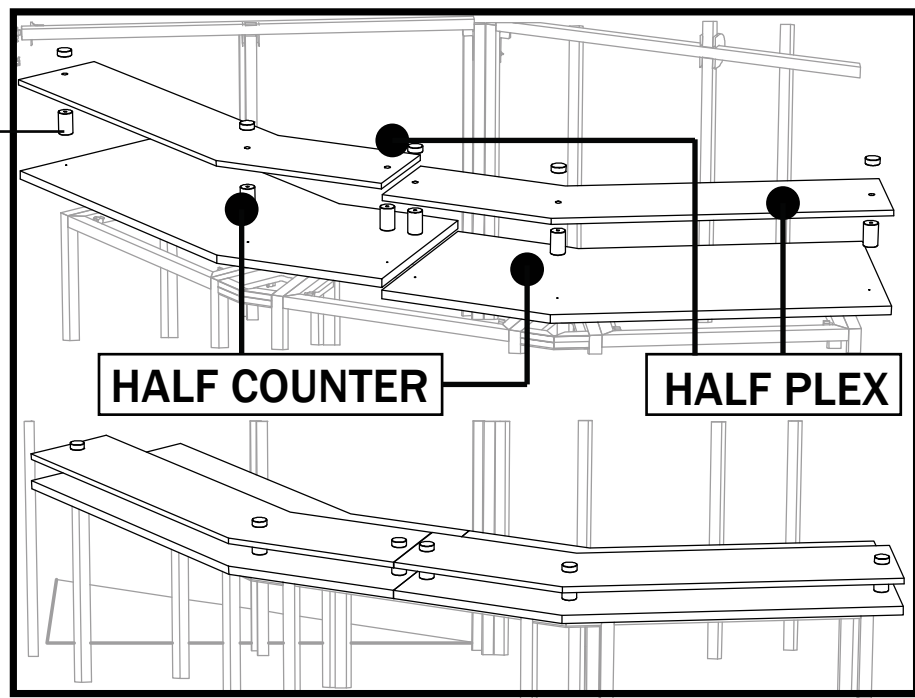
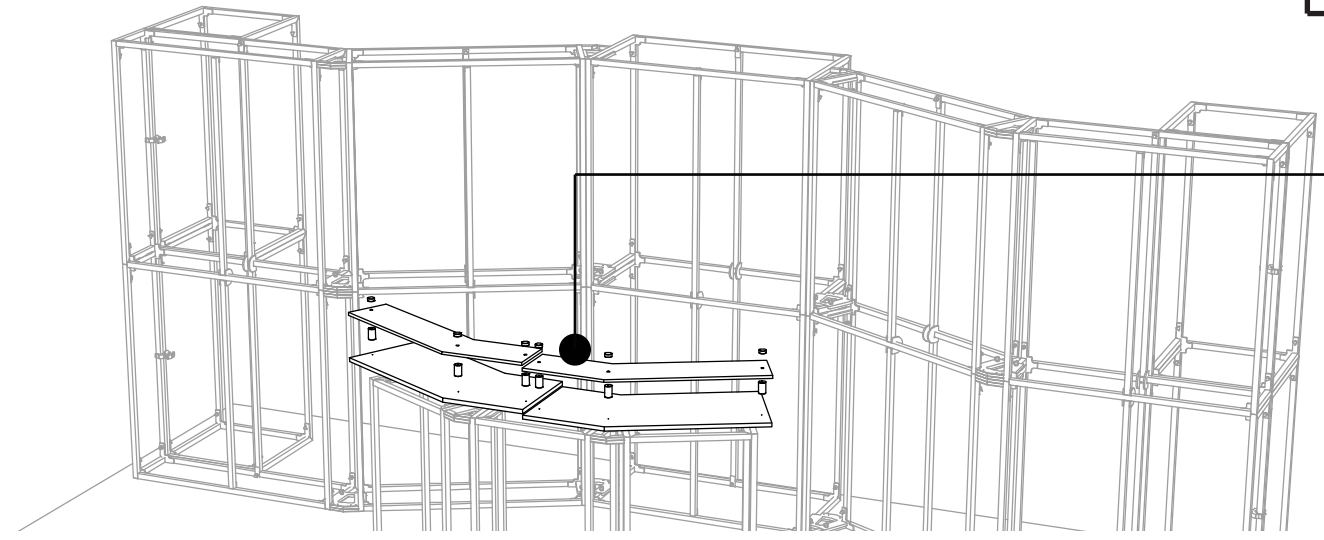
JOIN FRAMES TO
(4) **MULTIQAD® STANDARD CURVE BRACKETS** AND
(2) **MULTIQAD® DOUBLE CURVE BRACKETS**
WITH (12) **GREEN THUMBSCREWS**



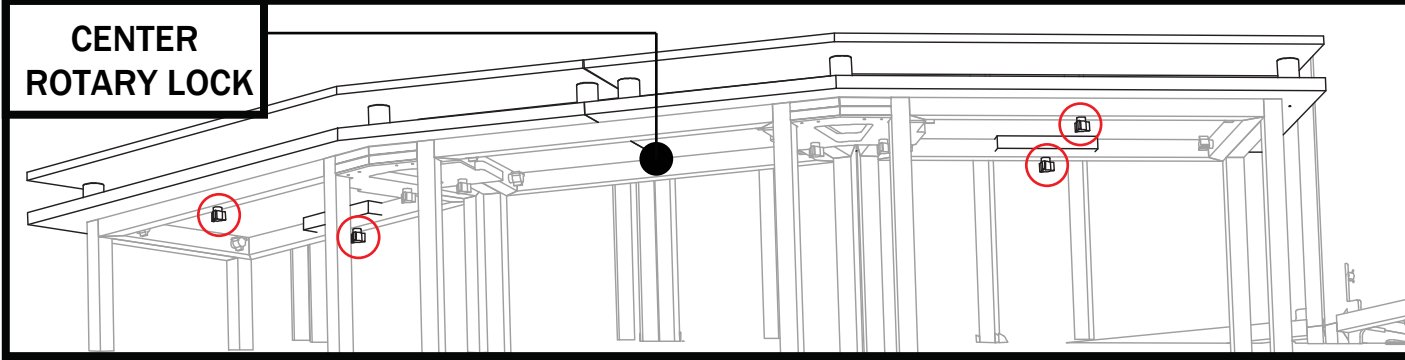
ARRANGE FRONT FRAMES IN FLOORSPACE AS SHOWN



JOIN FRAMES AND MULTIQUAD® WIDE PODIUM CURVE BRACKET SHOWN WITH (8) GREEN THUMBSCREWS

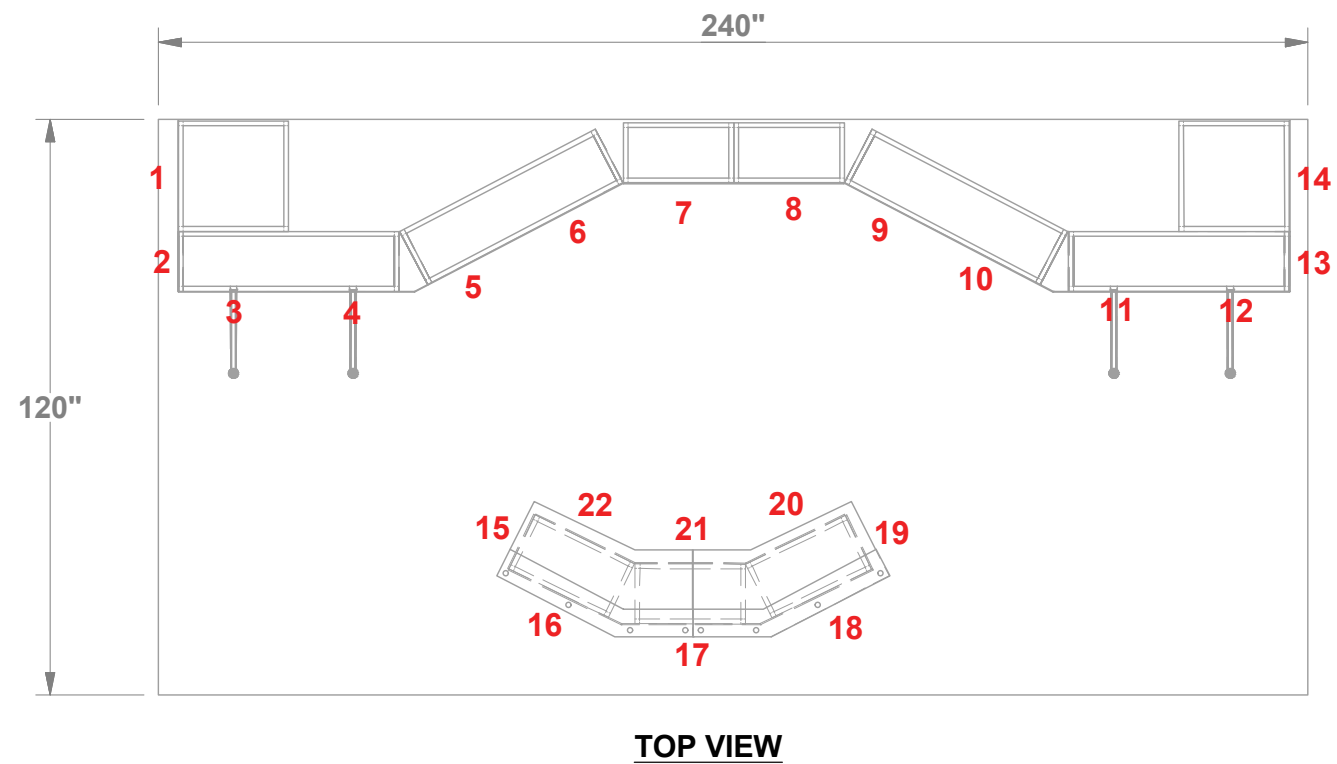
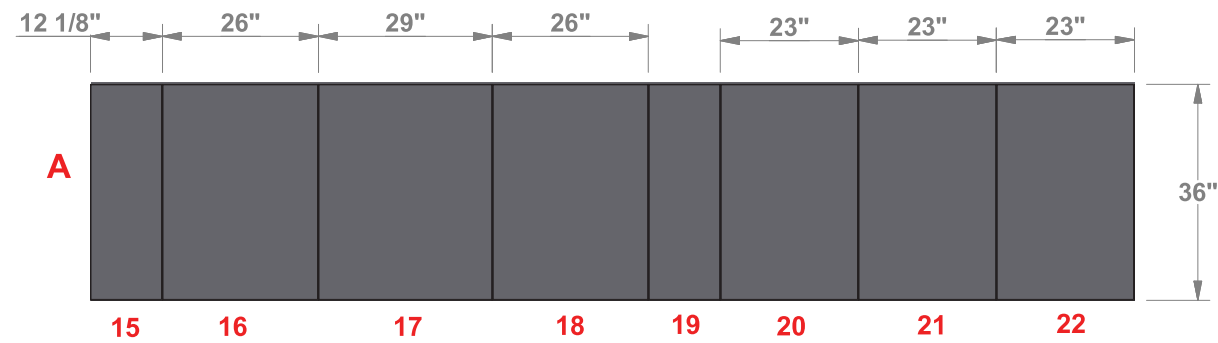
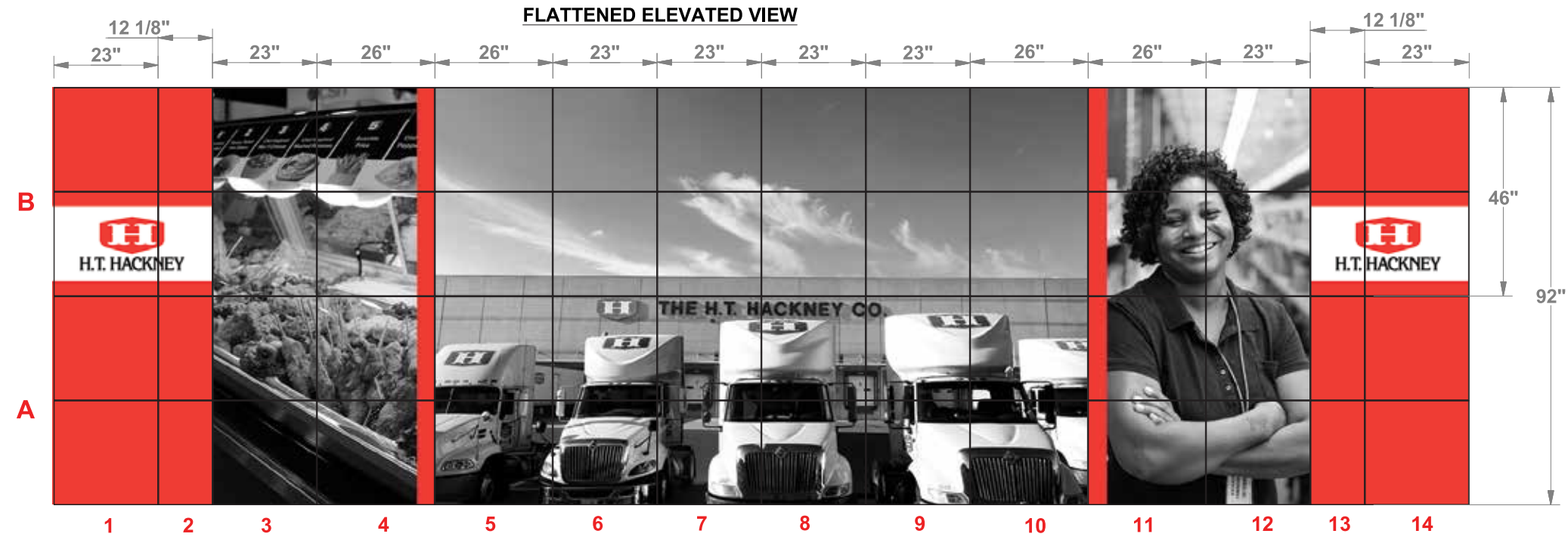


INSTALL (2) HALF COUNTERS AND (2) HALF PLEX SURFACES (PLEX AND COUNTER JOINED WITH (3) STANDOFFS EACH)



SECURE COUNTERTOP TO FRAMES WITH RED THUMBSCREWS

CENTER ROTARY LOCK



Expo EX PO Displays
A Division of Diamond Displays International

3401 Mary Taylor Road
Birmingham, Alabama 35235
(205) 439-8200

Job #: 70515

Project Title

10x20 MULTIQUAD®

Sheet Title

ASSEMBLY INSTRUCTIONS GRAPHIC LAYOUT

Project Title

10x20 MULTIQUAD®

Sheet Title

**ASSEMBLY
INSTRUCTIONS**

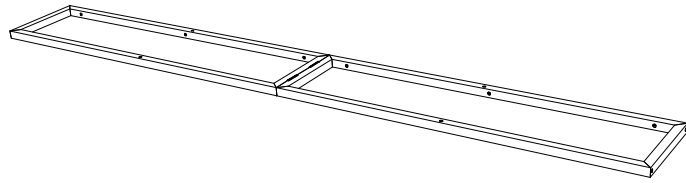
**REFERENCE
PHOTOS**



PARTS LIST		
QNTY	LABEL	NAME
1	LVH1	LEFT VERTICAL HINGED
1	RVH1	RIGHT VERTICAL HINGED
2	BH1	BOTTOM HORIZONTAL
2	MH1	MIDDLE HORIZONTAL
2	TH1	TOP HORIZONTAL
2	CVH1	CENTER VERTICAL HINGED
20	GRN	1" GREEN THUMB SCREW
4	RED	2" RED THUMB SCREW

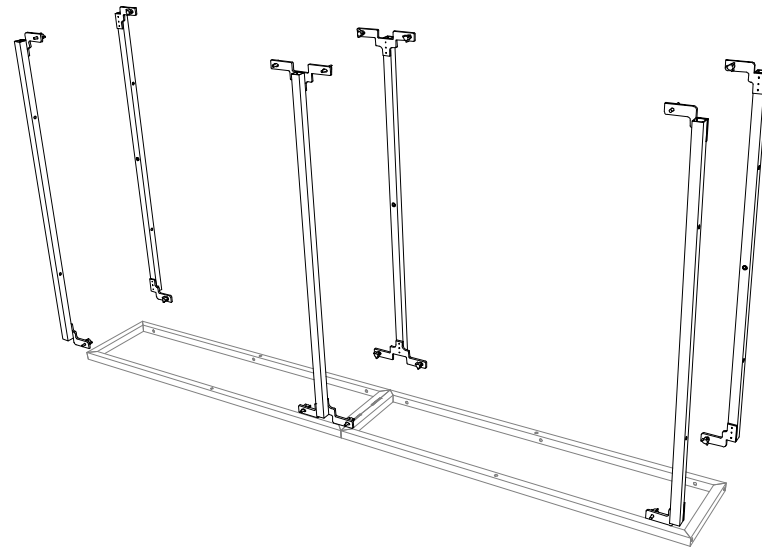
1st Step)

START WITH THE LEFT VERTICAL HINGED (LVH1) ON THE GROUND



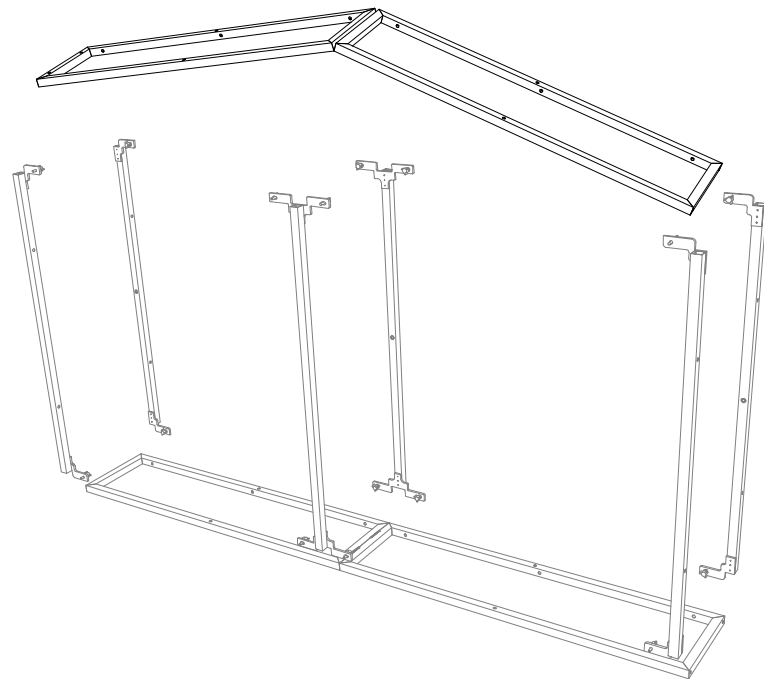
2nd Step)

ATTACH THE (2) TOP HORIZONTAL (TH1), THE (2) MIDDLE HORIZONTAL (MH1), AND THE (2) BOTTOM HORIZONTAL (BH1)



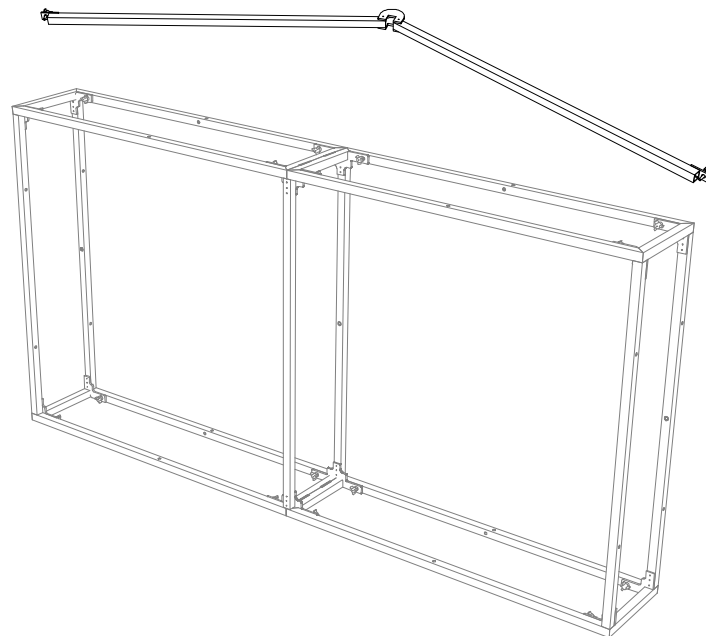
3rd Step)

ATTACH THE RIGHT HINGED SIDE (RVH1)

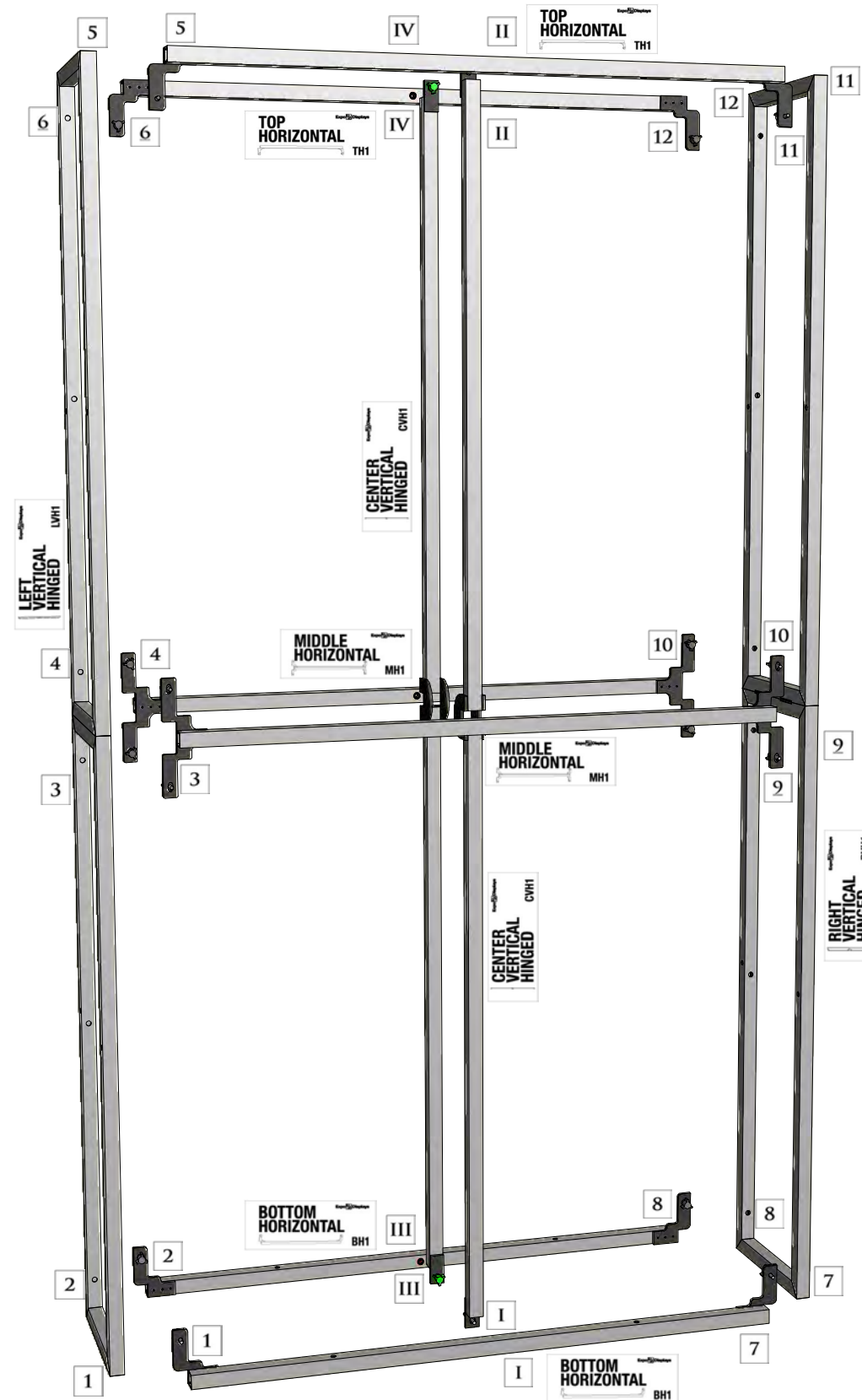


4th Step)

ATTACH THE (2) CENTER VERTICAL HINGED (CVH1) AND STAND UP-RIGHT



***MATCH NUMBERS TO CONSTRUCT**



Expo Displays

3401 Mary Taylor Road
Birmingham, Alabama 35235
(205) 439-8200

THIS PART USED TO MAKE
MQ-F24
2x4 STANDARD FRAME

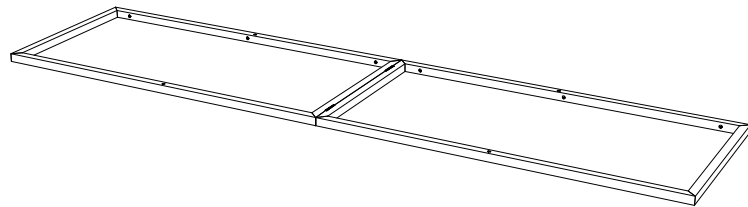
ASSEMBLY INSTRUCTIONS
2x4 STANDARD FRAME
MQ-F24

APPENDIX B

PARTS LIST		
QNTY	LABEL	NAME
1	LVHX	LEFT VERTICAL HINGED
1	RVHX	RIGHT VERTICAL HINGED
2	BH1	BOTTOM HORIZONTAL
2	MH1	MIDDLE HORIZONTAL
2	TH1	TOP HORIZONTAL
2	CVH1	CENTER VERTICAL HINGED
20	GRN	1" GREEN THUMB SCREW
4	RED	2" RED THUMB SCREW

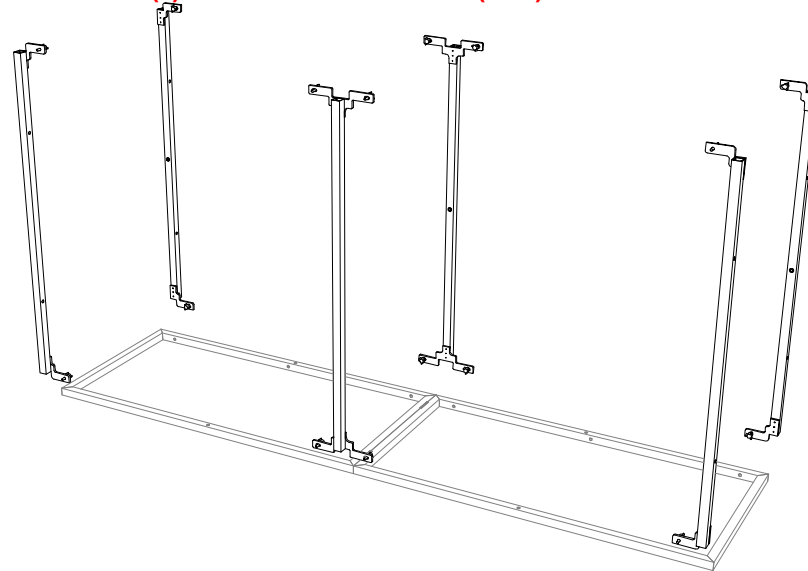
1st Step)

START WITH THE LEFT VERTICAL (LVHX) ON THE GROUND



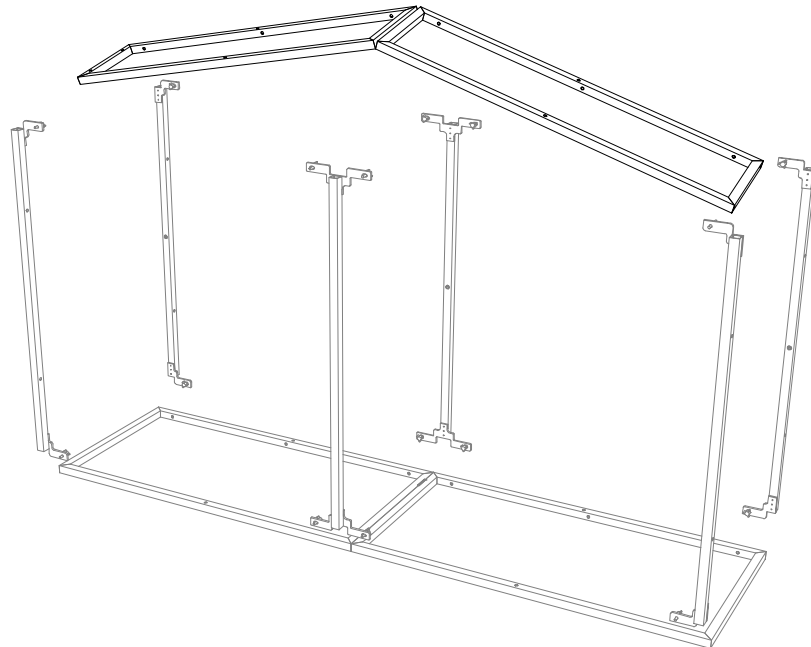
2nd Step)

ATTACH THE (2) TOP HORIZONTAL (TH1), THE (2) MIDDLE HORIZONTAL (MH1), AND THE (2) BOTTOM HORIZONTAL (BH1)



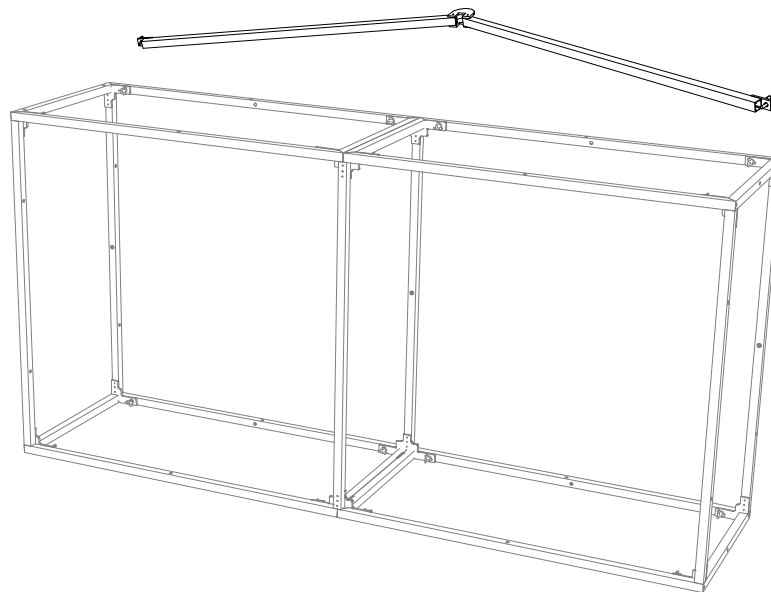
3rd Step)

ATTACH THE RIGHT HINGED SIDE (RVH1)



4th Step)

ATTACH THE (2) CENTER VERTICAL HINGED (CVH1) AND STAND UP-RIGHT



*MATCH NUMBERS TO CONSTRUCT



Expo Displays

3401 Mary Taylor Road
Birmingham, Alabama 35235
(205) 439-8200

THIS PART USED TO MAKE
MQX-F24
2x4 MAX FRAME

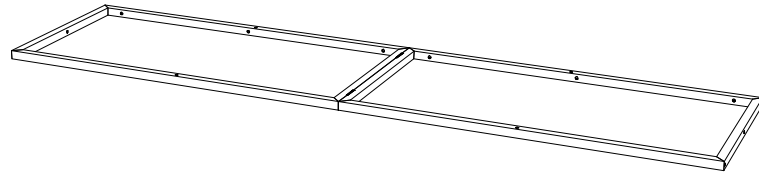
ASSEMBLY
INSTRUCTIONS

2x4 MAX FRAME
MQX-F24

APPENDIX J

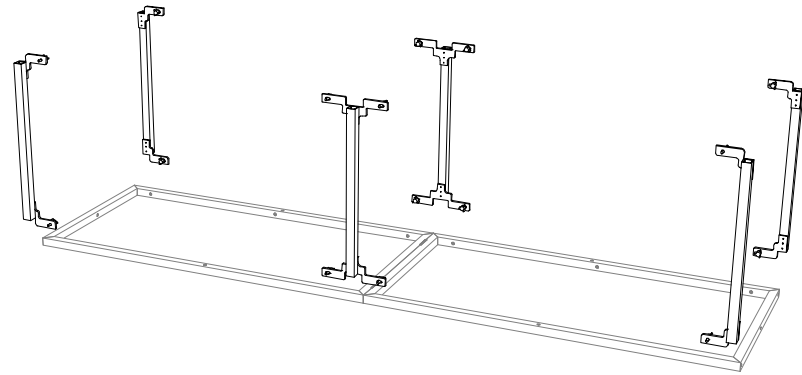
1st Step)

START WITH THE LEFT VERTICAL HINGED (LVHX) ON THE GROUND



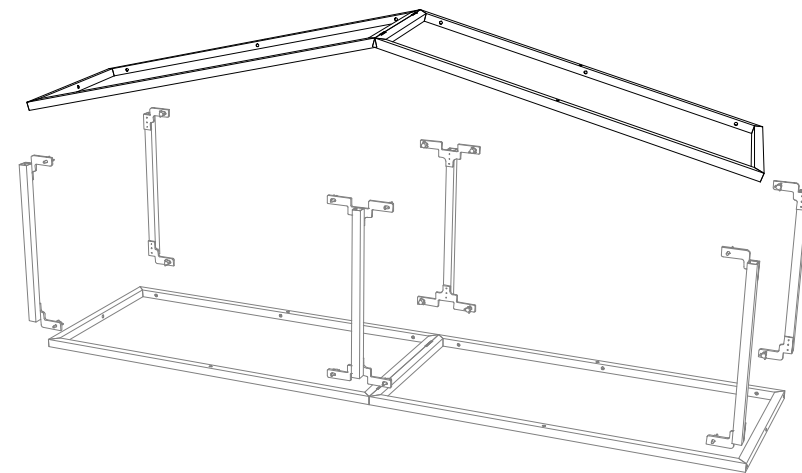
2nd Step)

ATTACH THE (2) TOP HORIZONTAL (TH2), THE (2) MIDDLE HORIZONTAL (MH2), AND THE (2) BOTTOM HORIZONTAL (BH2)



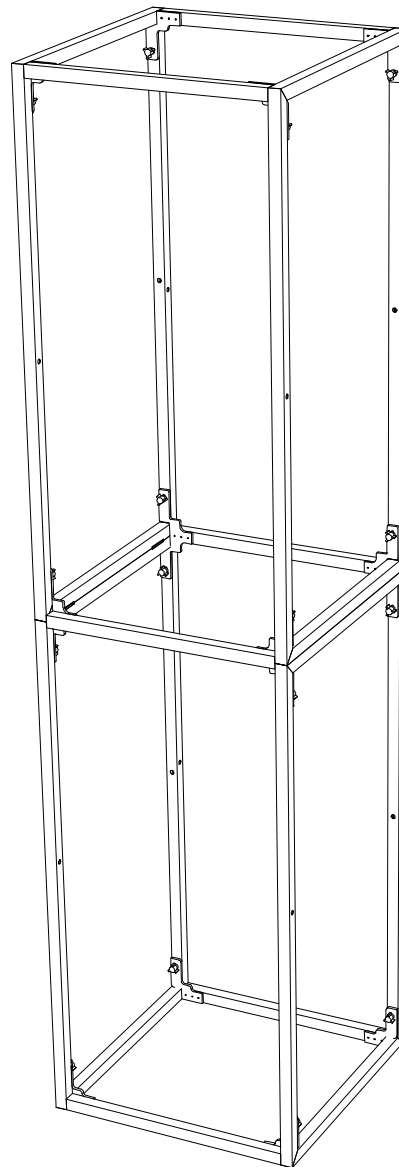
3rd Step)

ATTACH THE RIGHT HINGED SIDE (RVHX)



4th Step)

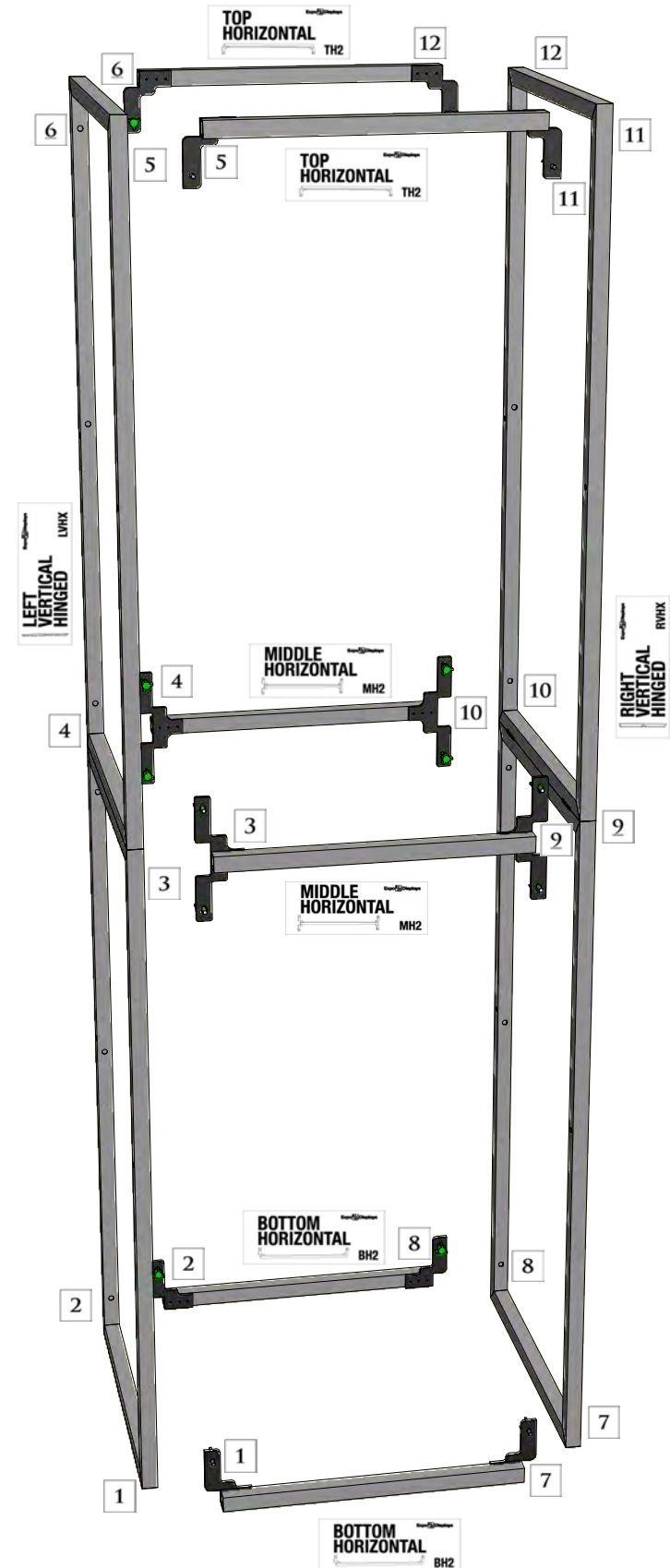
STAND UP-RIGHT



PARTS LIST		
QNTY	LABEL	NAME
1	LVHX	LEFT VERTICAL HINGED
1	RVHX	RIGHT VERTICAL HINGED
2	BH2	BOTTOM HORIZONTAL
2	MH2	MIDDLE HORIZONTAL
2	TH2	TOP HORIZONTAL
16	GRN	1" GREEN THUMB SCREW
4	RED	2" RED THUMB SCREW



***MATCH NUMBERS TO CONSTRUCT**



Expo Displays

3401 Mary Taylor Road
Birmingham, Alabama 35235
(205) 439-8200

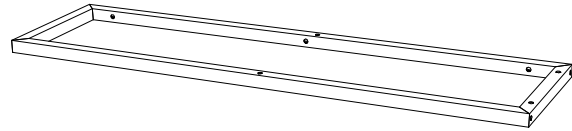
THIS PART USED TO MAKE
MQX-F14
1x4 MAX FRAME

ASSEMBLY INSTRUCTIONS
1x4 MAX FRAME
MQX-F14

APPENDIX N

1st Step)

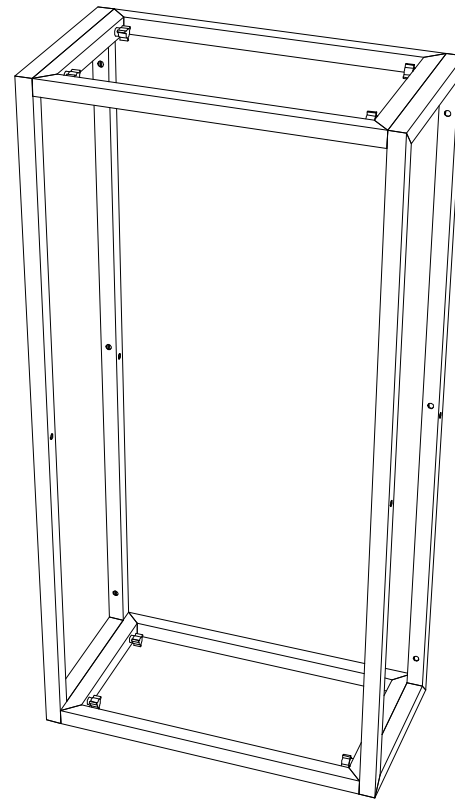
START WITH THE LEFT VERTICAL RECTANGLE (LVR1) ON THE GROUND



PARTS LIST		
QNTY	LABEL	NAME
1	LVRX1	LEFT VERTICAL RECTANGLE
1	RVRX1	RIGHT VERTICAL RECTANGLE
1	BHRX2	BOTTOM HORIZONTAL RECT.
1	THRX2	TOP HORIZONTAL RECT.
8	RED	2" RED THUMB SCREW

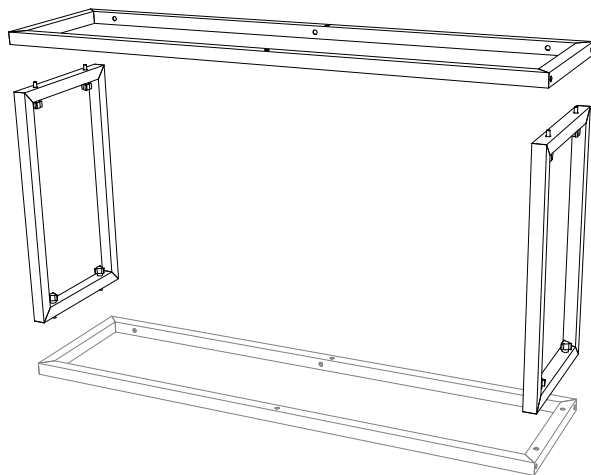
3rd Step)

STAND UP RIGHT

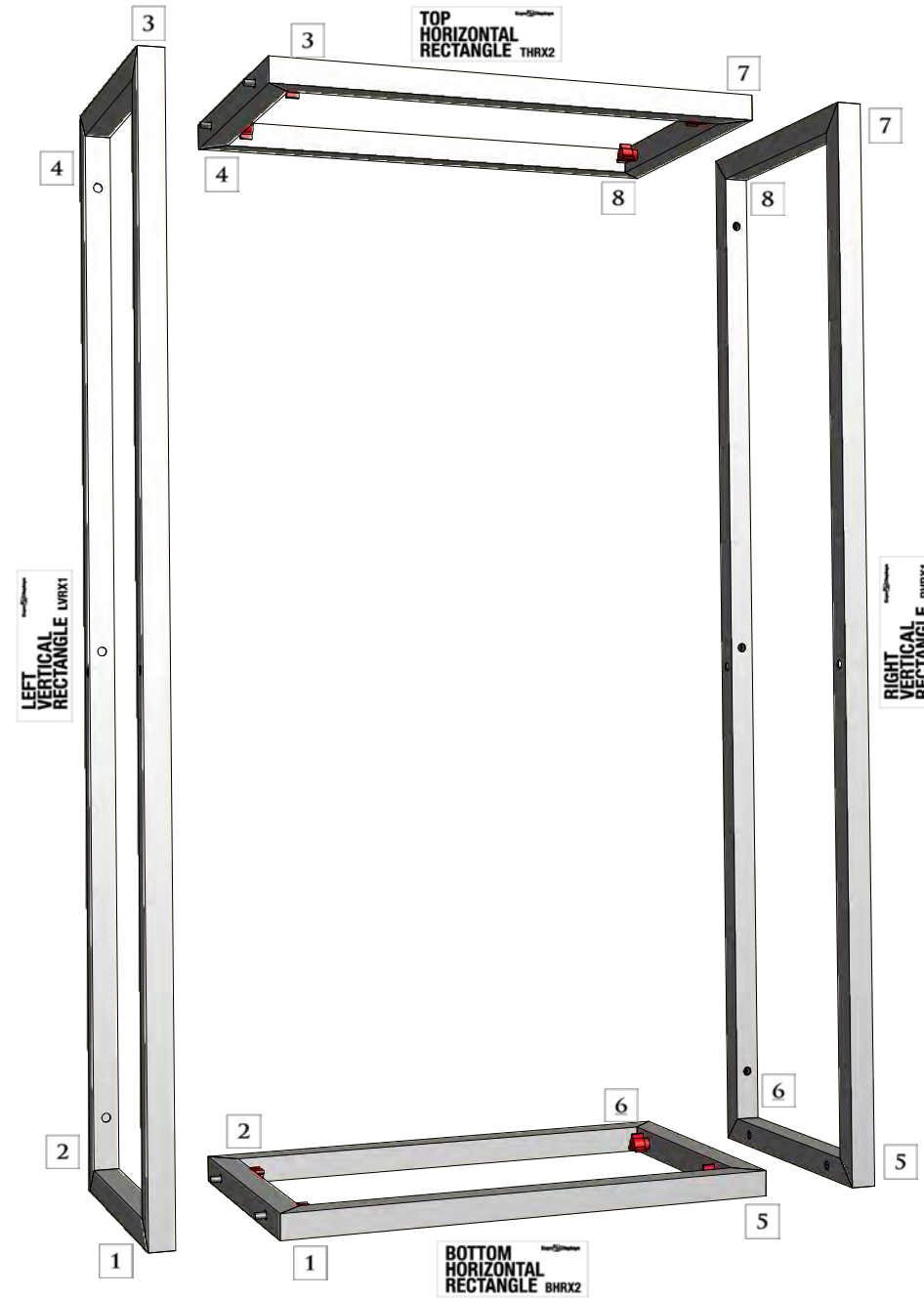


2nd Step)

ATTACH THE TOP & BOTTOM HORIZONTAL (THR2, BHR2), THEN ATTACH THE RIGHT VERTICAL RECTANGLE



*MATCH NUMBERS TO CONSTRUCT



Expo Displays

3401 Mary Taylor Road
Birmingham, Alabama 35235
(205) 439-8200

THIS PART USED TO MAKE
MQX-F12
1x2 MAX FRAME

ASSEMBLY INSTRUCTIONS

1x2 MAX FRAME
MQX-F12

APPENDIX V