

WHEN ASSEMBLING **EX PO MultiQuad**[®]

REMEMBER YOUR **ABC**'s...

ASSEMBLE EACH COMPONENT SEPARATELY

BUILD THE DESIRED LAYOUT

COVER YOUR MULTIQUAD LAYOUT WITH QUADS



EX PO MultiQuad[®]
An **ExpoDisplays** Product

10 x 20 Custom MultiQuad[®]

EX PO

Expo EX PO Displays[®]
A Division of Diamond Displays International

3401 Mary Taylor Road
Birmingham, Alabama 35235
(205) 439-8200

Job #: 71168

Project Title

10x20 MULTIQUAD[®]

Sheet Title

**ASSEMBLY
INSTRUCTIONS
COVER SHEET**



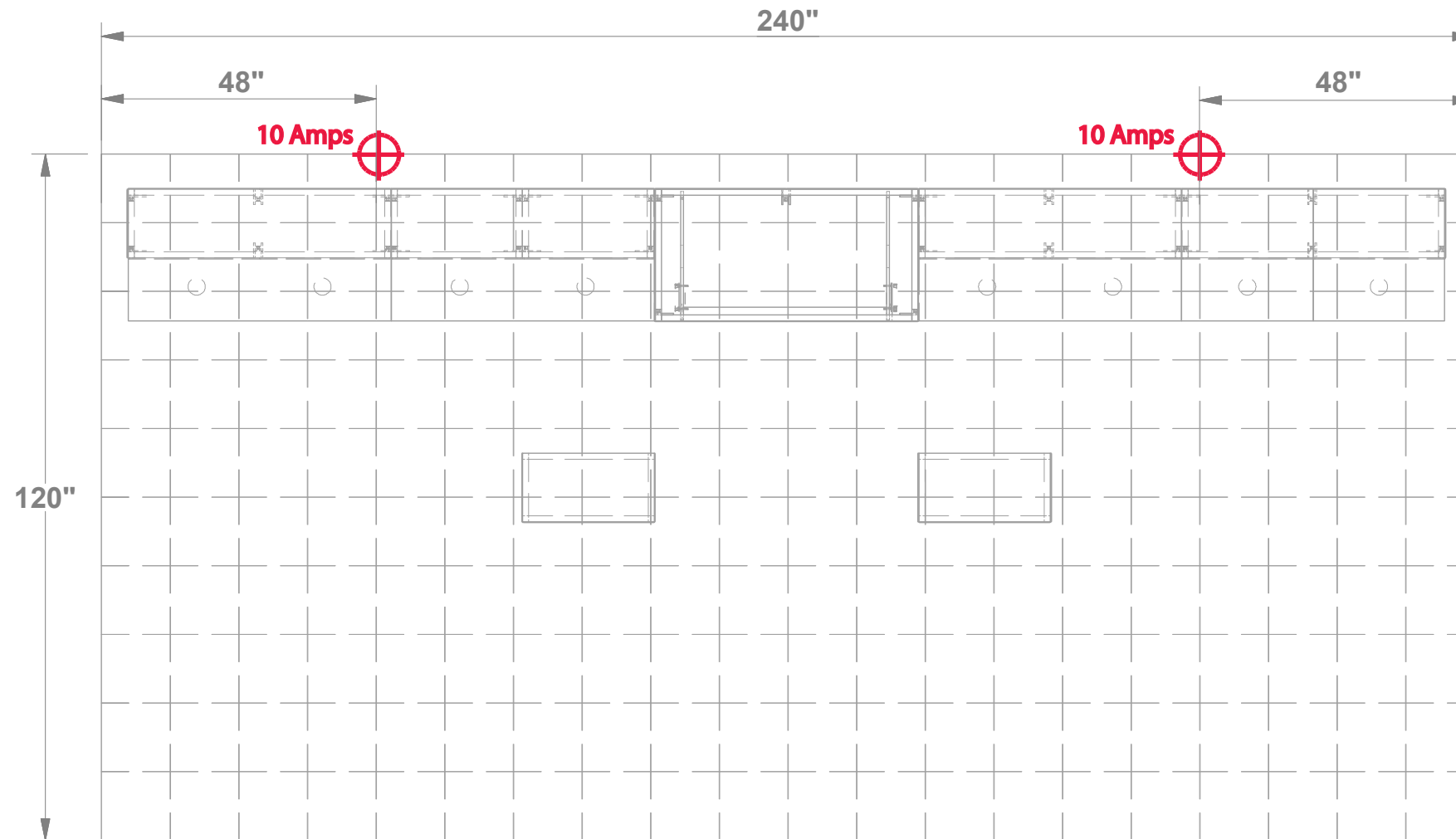
Project Title

10x20 MULTIQUAD®

Sheet Title

ASSEMBLY INSTRUCTIONS
ELECTRICAL PLAN

BOOTH # _____ ↗



TOP VIEW

BOOTH # _____ ↗

BOOTH # _____ ↗

BOOTH # _____ ↘

FRONT OF DISPLAY

1 Square = 1'- 0"

SHOW: _____

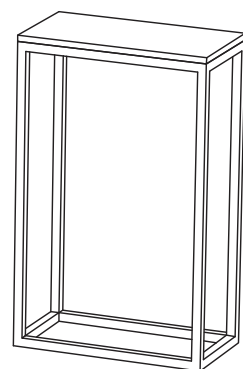
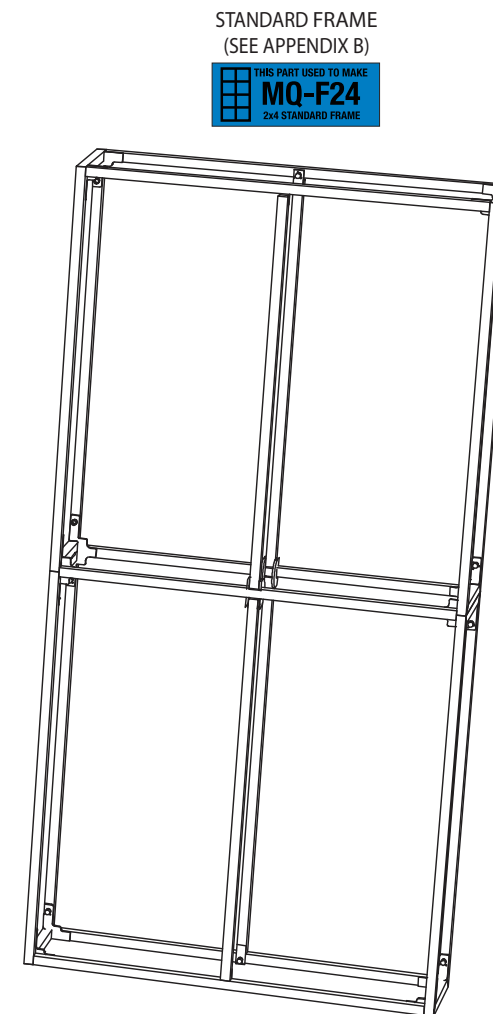
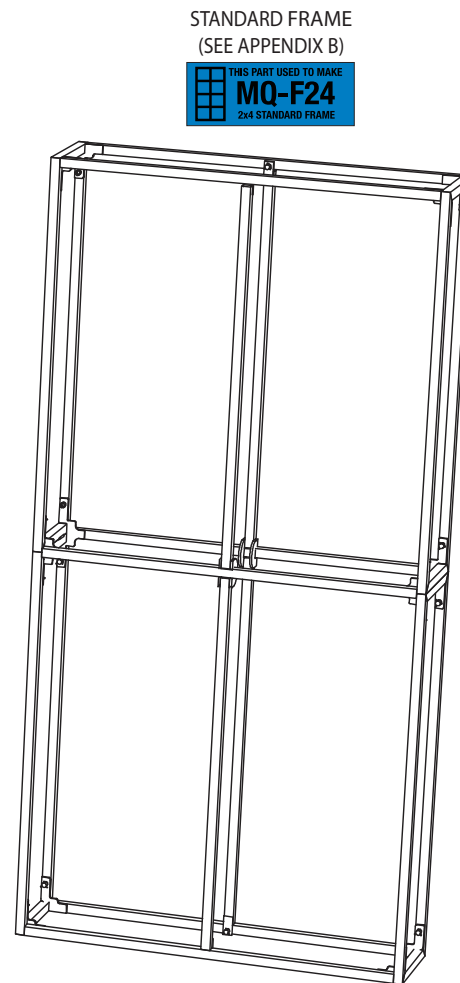
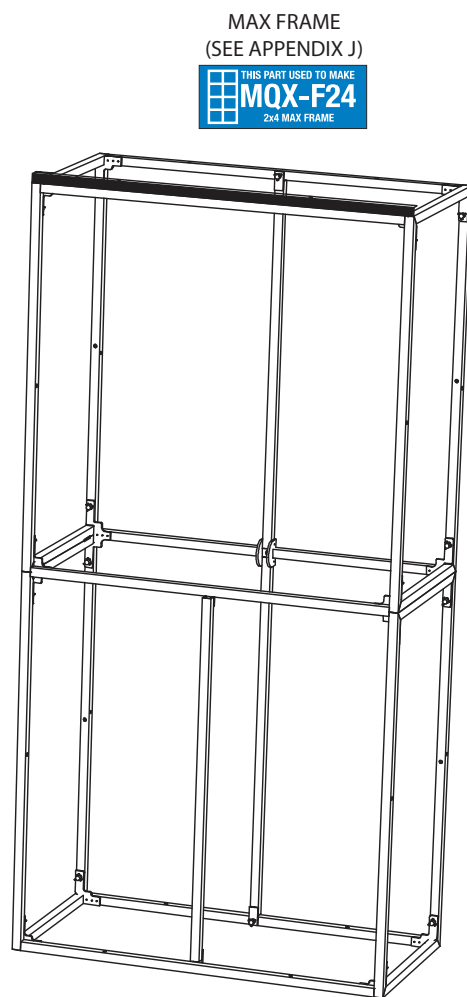
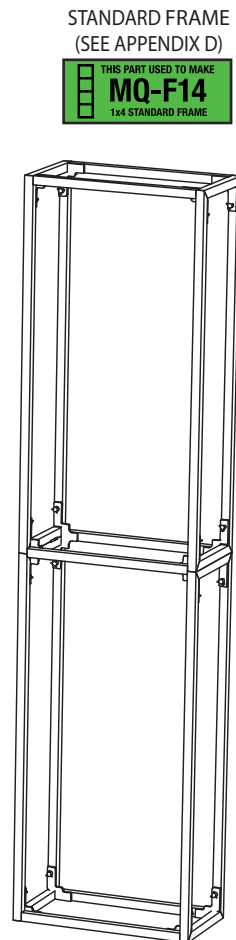
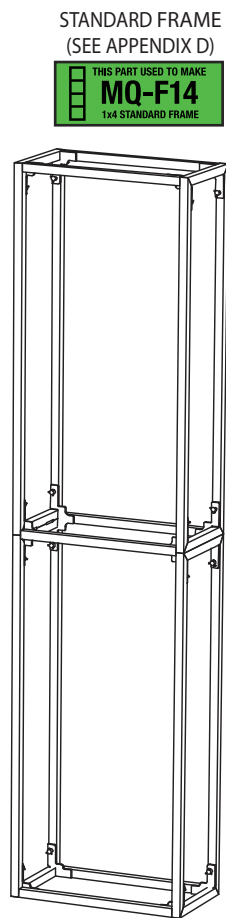
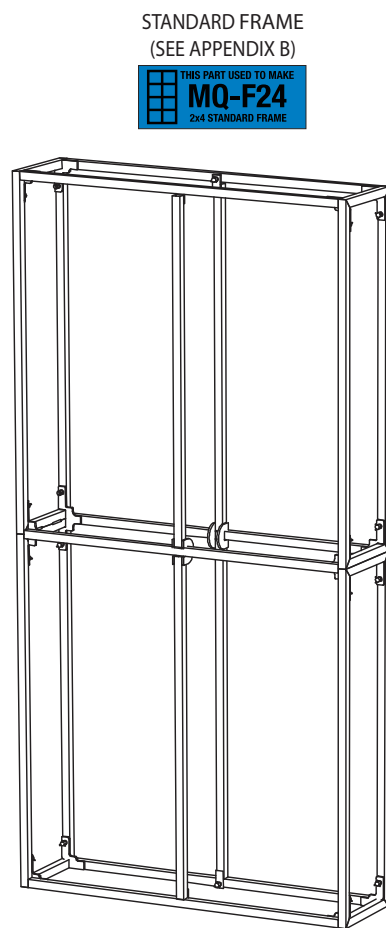
BOOTH: _____

| | |
|--|------------------------------|
| | MAIN ELECTRICAL DROP |
| | ELECTRICAL OUTLET |
| | POWER CORDS RUN UNDER CARPET |

*** ASSEMBLE ALL LISTED FRAMES SEPARATELY USING APPENDIX PAGES**

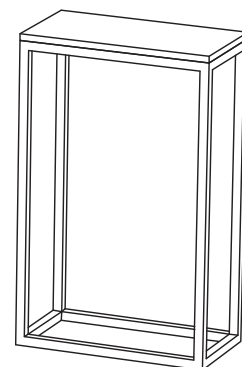


**NOTE: THIS FRAME WILL HAVE
PRE-ATTACHED FABRIC BAR ON TOP
(BAR TH1)**



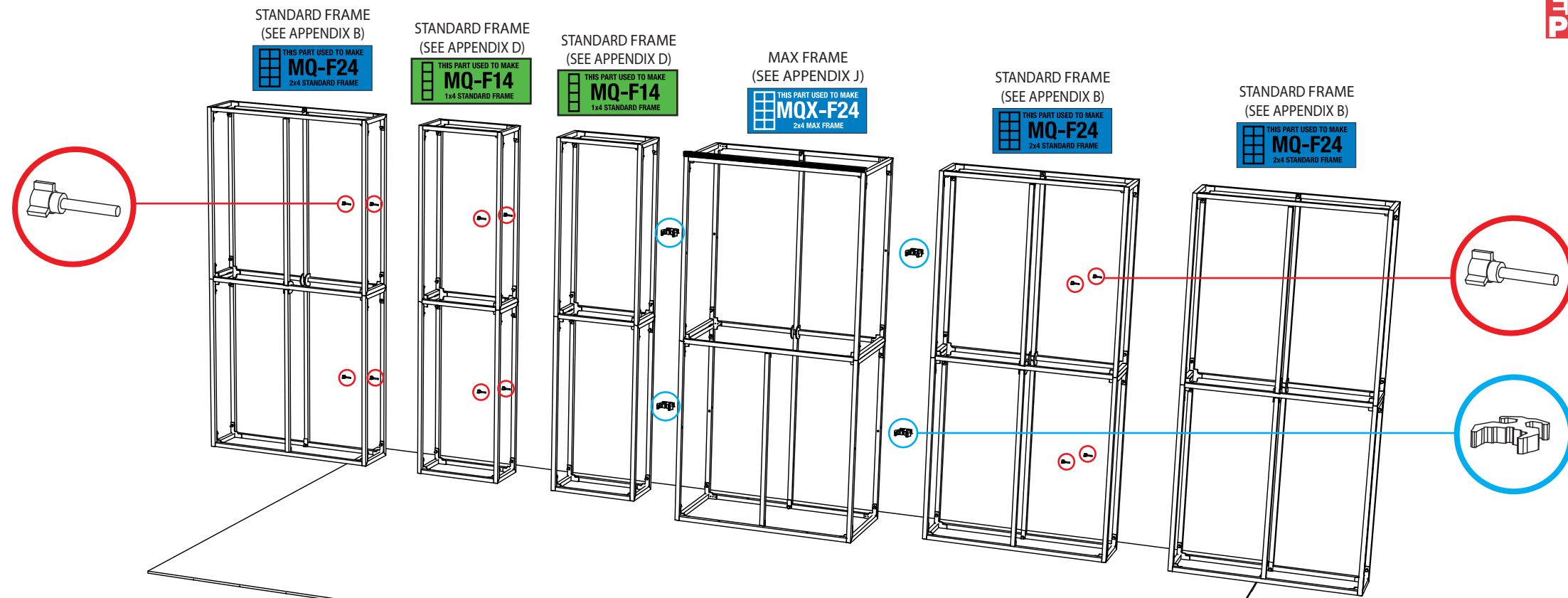
STANDARD FRAME
(SEE APPENDIX T)

THIS PART USED TO MAKE
MQ-F12
1x2 STANDARD FRAME



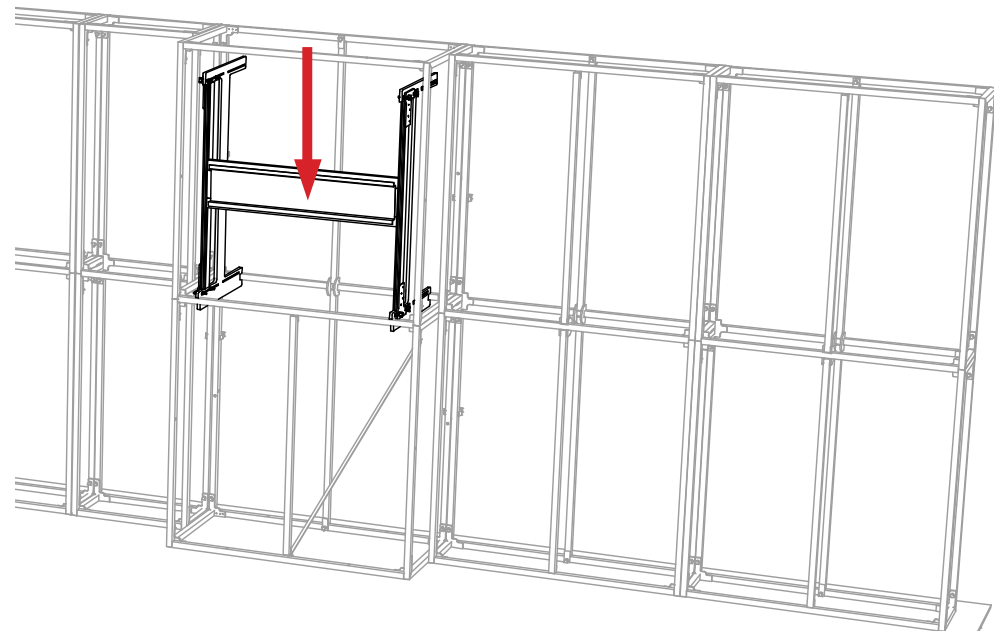
STANDARD FRAME
(SEE APPENDIX T)

THIS PART USED TO MAKE
MQ-F12
1x2 STANDARD FRAME

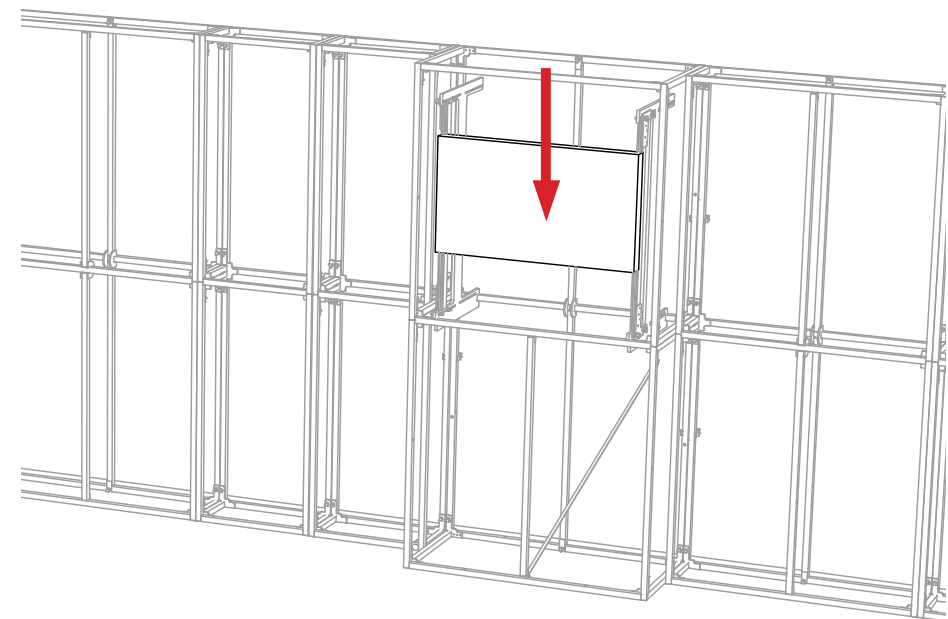


***JOIN ALL LISTED STANDARD FRAMES WITH RED THUMBSCREWS AS SHOWN**

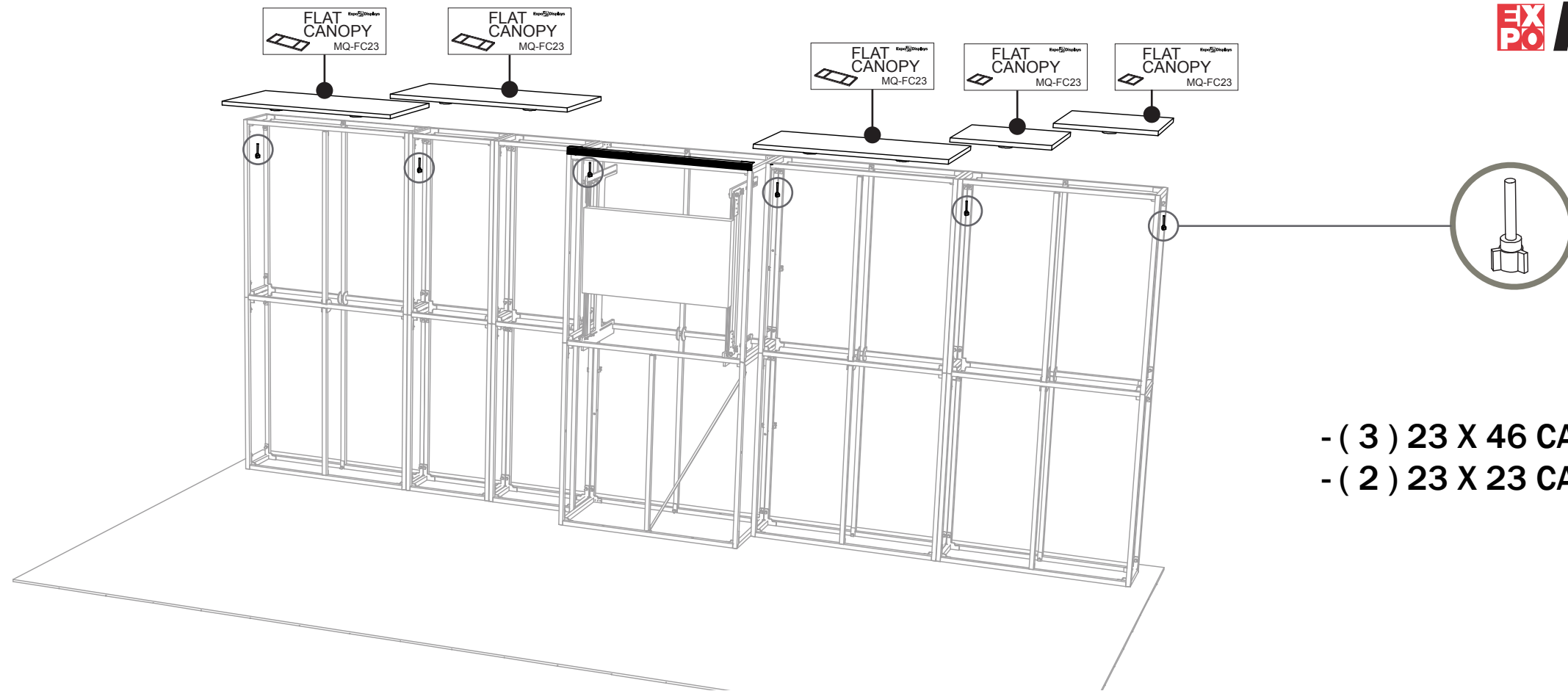
***JOIN THE STANDARD FRAMES TO MIDDLE MAX FRAME WITH PRESSURE CLAMPS AS SHOWN**



*** ASSEMBLE SINGLE-SIDED MEDIA MOUNT INSIDE MIDDLE MAX FRAME (SEE APPENDIX J-7 FOR DETAILS)**

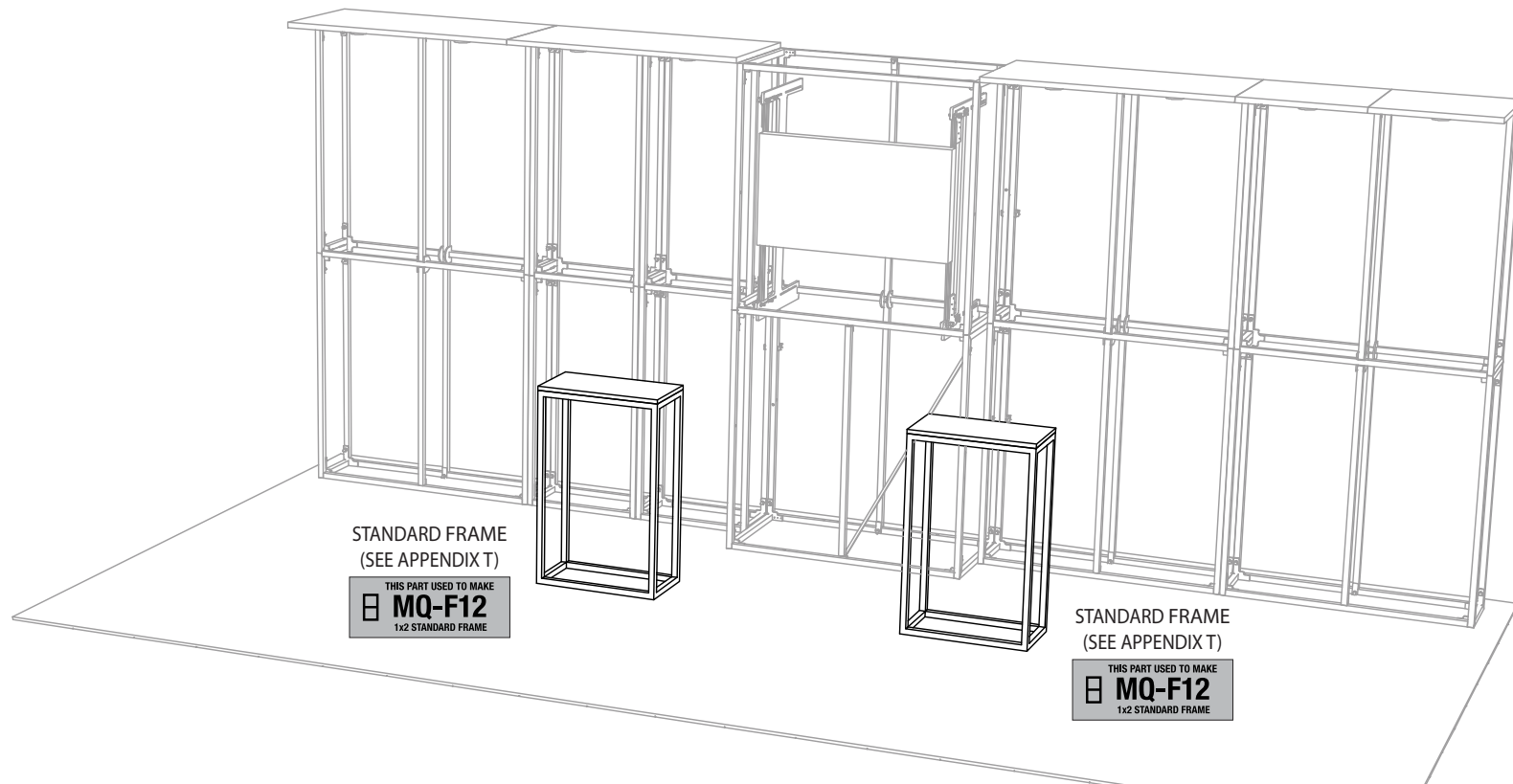


*** HANG TV ON PRE-ATTACHED HARDWARE (SEE APPENDIX J-7 FOR DETAILS)**

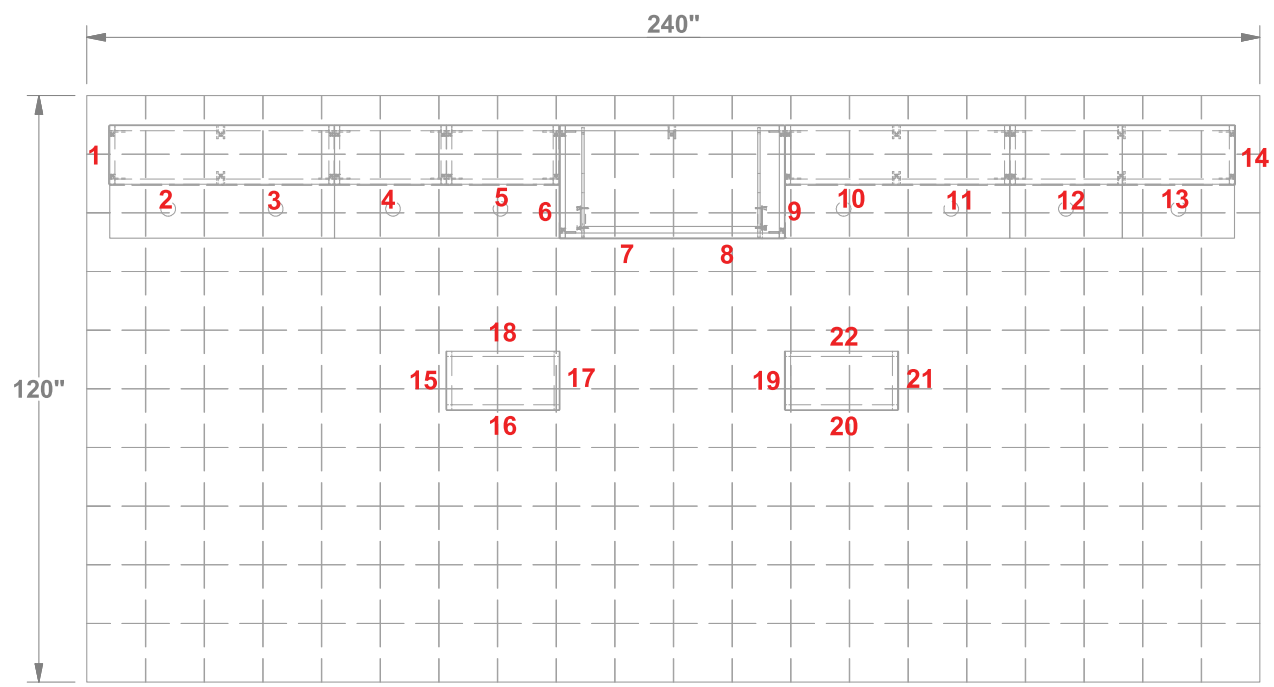
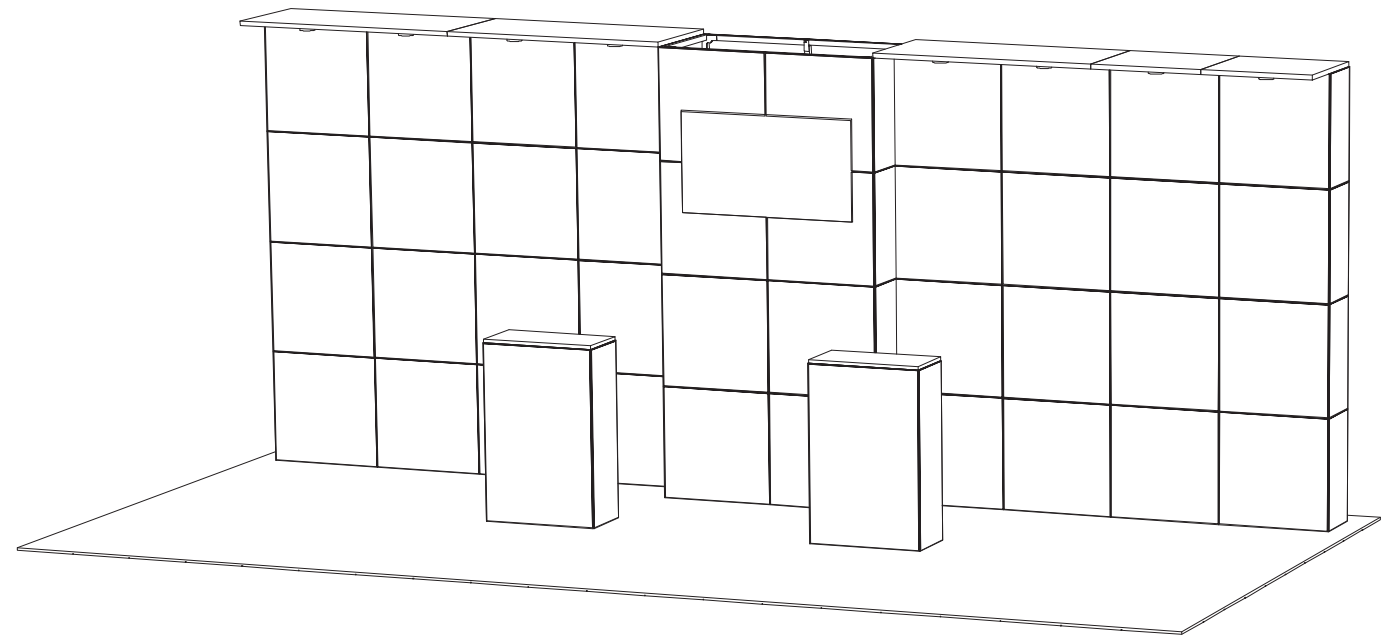
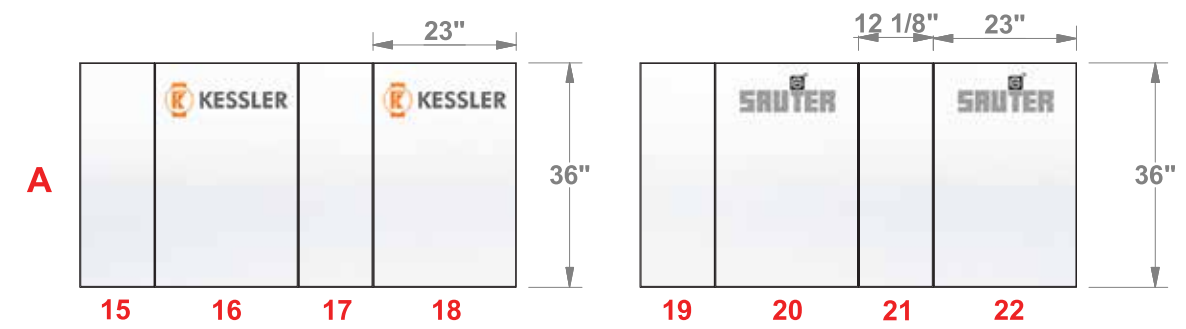
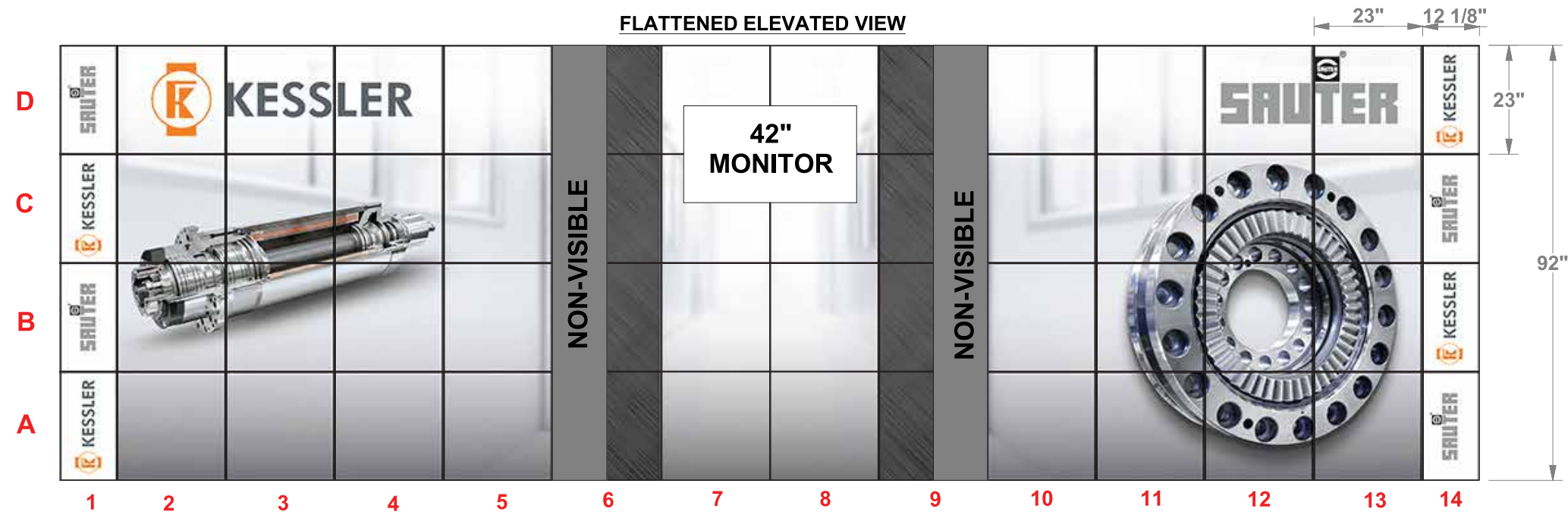


- (3) 23 X 46 CANOPIES
- (2) 23 X 23 CANOPIES

*** PLACE ALL CANOPY PIECES ON TOP AND JOIN TO FRAMES WITH BLACK THUMBSCREWS AS SHOWN
(SEE GENERAL DETAILS ON APPENDIX C -1)**



*** PLACE CUSTOM COUNTER PODIUMS IN FRONT OF MAIN WALL AS SHOWN OR WHERE DESIRED**



TOP VIEW



Expo EX PO Displays
A Division of Diamond Displays International

3401 Mary Taylor Road
Birmingham, Alabama 35235
(205) 439-8200

Job #: 71168

Project Title

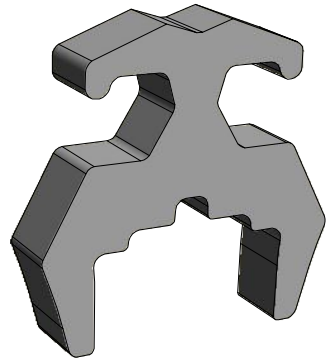
10x20 MULTIQAD®

Sheet Title

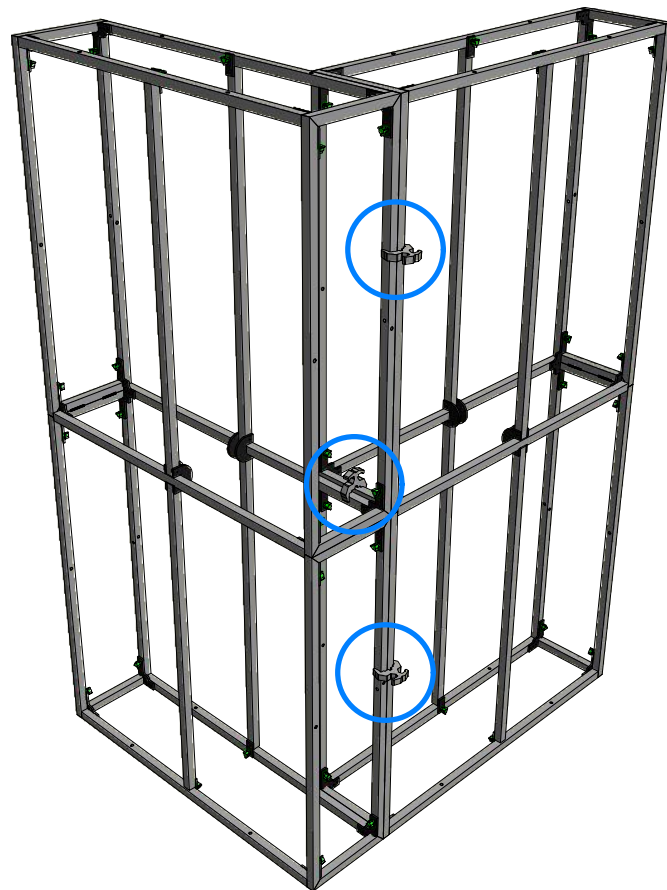
ASSEMBLY INSTRUCTIONS GRAPHIC LAYOUT

**FRAME CLAMP INSTRUCTION
MQ-CLMP**

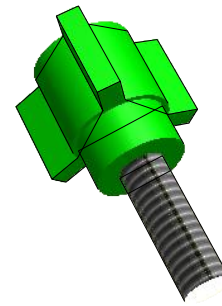
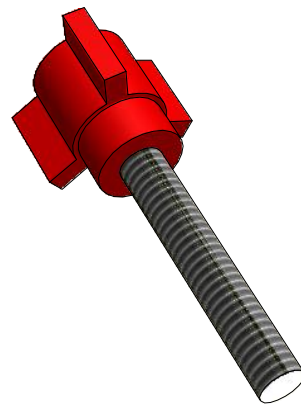
(NOT REQUIRED IN EVERY CONFIGURATION)



THE MQ-CLMP IS A FRICTION-FIT CONNECTOR / ALIGNMENT TOOL THAT DOES NOT REQUIRE TOOLS. THEY ARE TO BE USED IN ABNORMAL MULTIQUAD FRAME CONFIGURATIONS OR AS ADDITIONAL FRAME SECURITY IN SPECIAL SITUATIONS



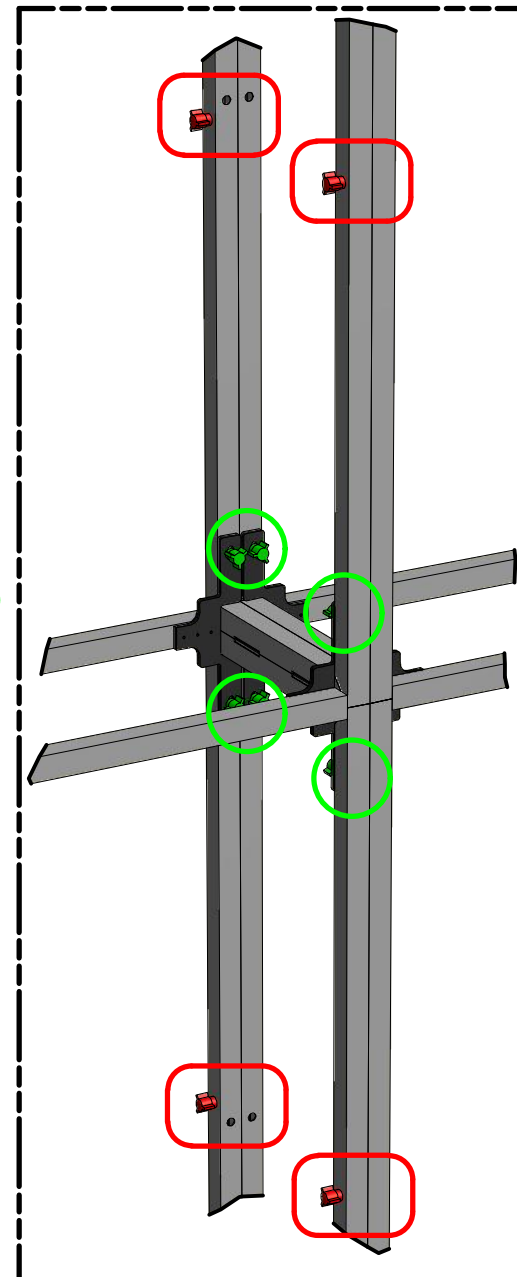
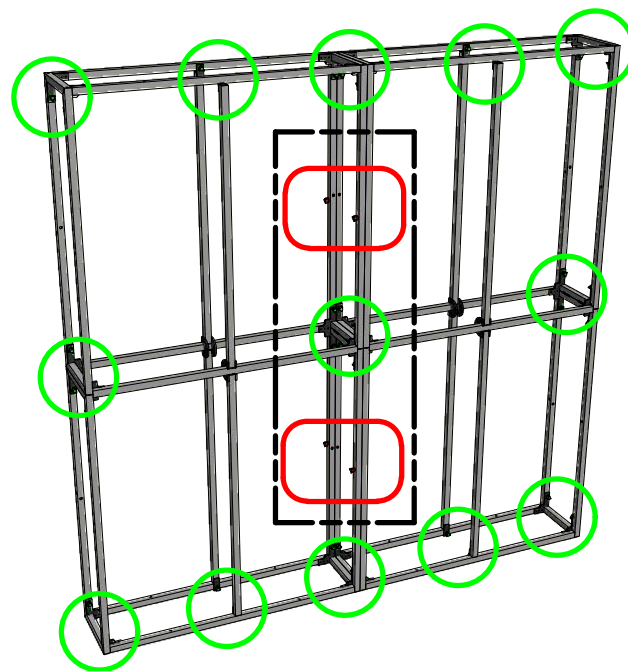
**THUMB SCREW INSTRUCTION
MQ-TSR2 / MQ-TSG1**



THE 2" RED THUMB SCREW IS USED TO CONNECT MULTIQUAD FRAMES TO OTHER MULTIQUAD FRAMES. EACH FRAME HAS RIVET NUT ON ONE SIDE AND A HOLE ON THE OTHER TO ALLOW FRAME TO FRAME CONNECTION

THE 1" GREEN THUMB SCREWS ARE USED WHEN ASSEMBLING 1x4 AND 2x4 FRAMES. SEE APPENDIX PAGES

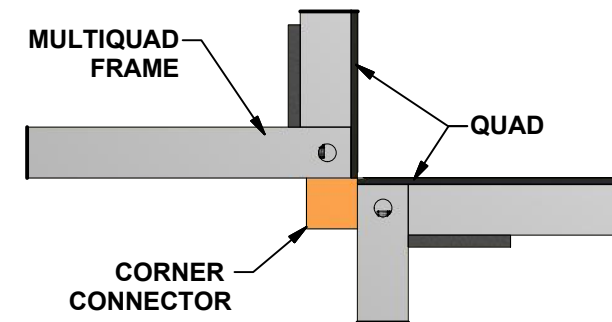
DUE TO THE RIVET NUTS, ALL FRAMES HAVE A LEFT AND RIGHT SIDE. VERIFY FRAME ORIENTATION TO ALLOW FRAME TO FRAME CONNECTION



**CORNER CONNECTOR INSTRUCTION
MQ-BTW**

(NOT REQUIRED IN EVERY CONFIGURATION)

THE MQ-BTW CORNER ALIGNMENT TOOL IS DESIGNED TO AID IN THE ALIGNMENT OF FRAMES AS NEEDED IN SOME MULTIQUAD CONFIGURATIONS.



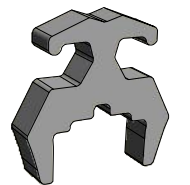
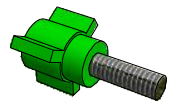
AFTER TWO MULTIQUAD FRAMES ARE SET "CORNER-TO-CORNER" THE MQ-BTW SIMPLY ATTACHES TO THE EXISTING MAGNETS ON THE FRAME



Expo Displays

3401 Mary Taylor Road
Birmingham, Alabama 35235
(205) 439-8200

Drawn By: AKHIII



**ASSEMBLY
INSTRUCTIONS**

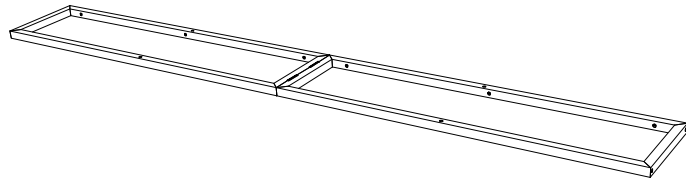
CONNECTORS & ALIGNMENT TOOLS

APPENDIX A

| PARTS LIST | | |
|------------|-------|------------------------|
| QNTY | LABEL | NAME |
| 1 | LVH1 | LEFT VERTICAL HINGED |
| 1 | RVH1 | RIGHT VERTICAL HINGED |
| 2 | BH1 | BOTTOM HORIZONTAL |
| 2 | MH1 | MIDDLE HORIZONTAL |
| 2 | TH1 | TOP HORIZONTAL |
| 2 | CVH1 | CENTER VERTICAL HINGED |
| 2 | GRN | 1" GREEN THUMB SCREW |
| 4 | RED | 2" RED THUMB SCREW |

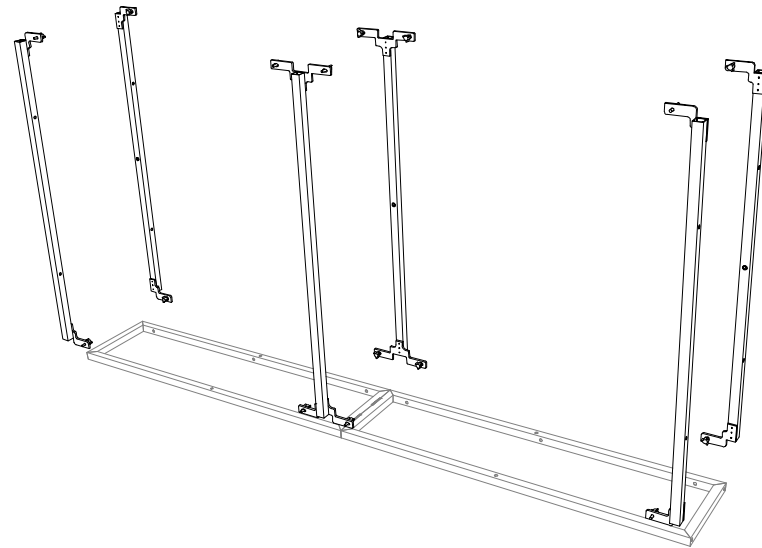
1st Step

START WITH THE LEFT VERTICAL HINGED (LVH1) ON THE GROUND



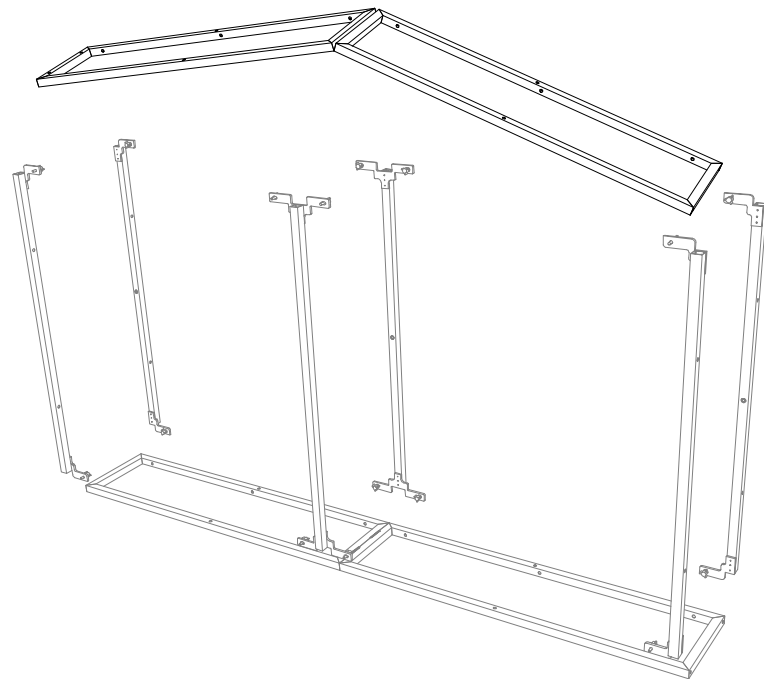
2nd Step

ATTACH THE (2) TOP HORIZONTAL (TH1), THE (2) MIDDLE HORIZONTAL (MH1), AND THE (2) BOTTOM HORIZONTAL (BH1)



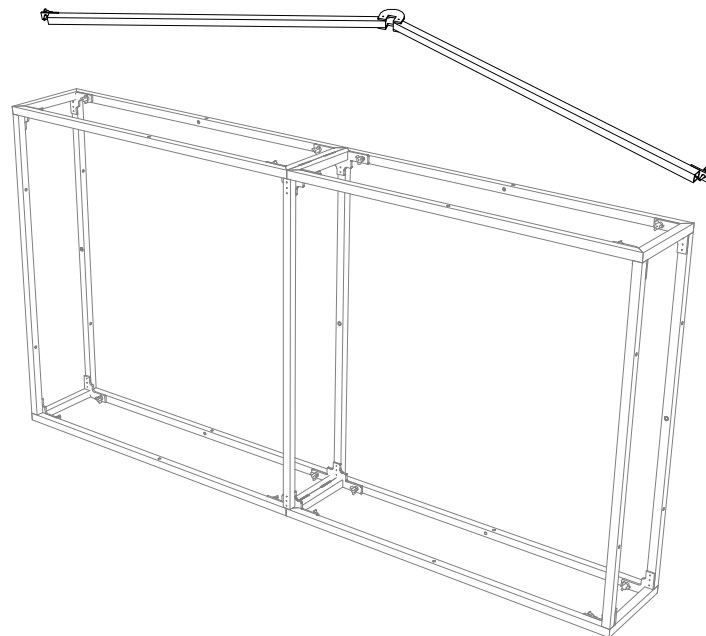
3rd Step

ATTACH THE RIGHT HINGED SIDE (RVH1)



4th Step

ATTACH THE (2) CENTER VERTICAL HINGED (CVH1) AND STAND UP-RIGHT



MATCH NUMBERS TO CONSTRUCT



Expo Displays

3401 Mary Taylor Road
Birmingham, Alabama 35235
(205) 439-8200

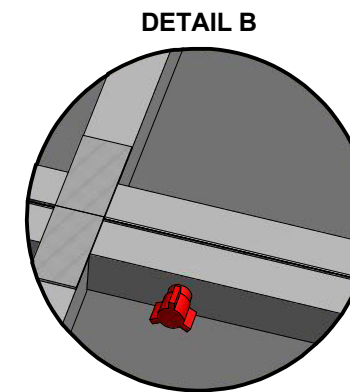
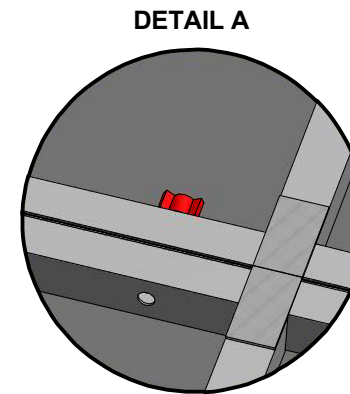
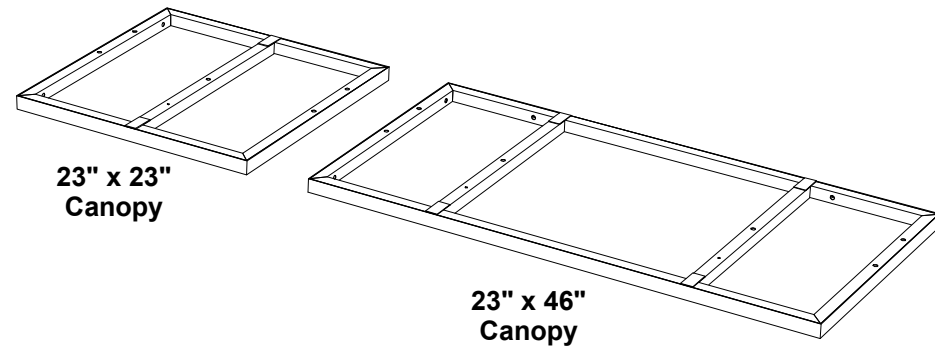
THIS PART USED TO MAKE
MQ-F24
2x4 STANDARD FRAME

ASSEMBLY INSTRUCTIONS
2x4 STANDARD FRAME
MQ-F24

APPENDIX B

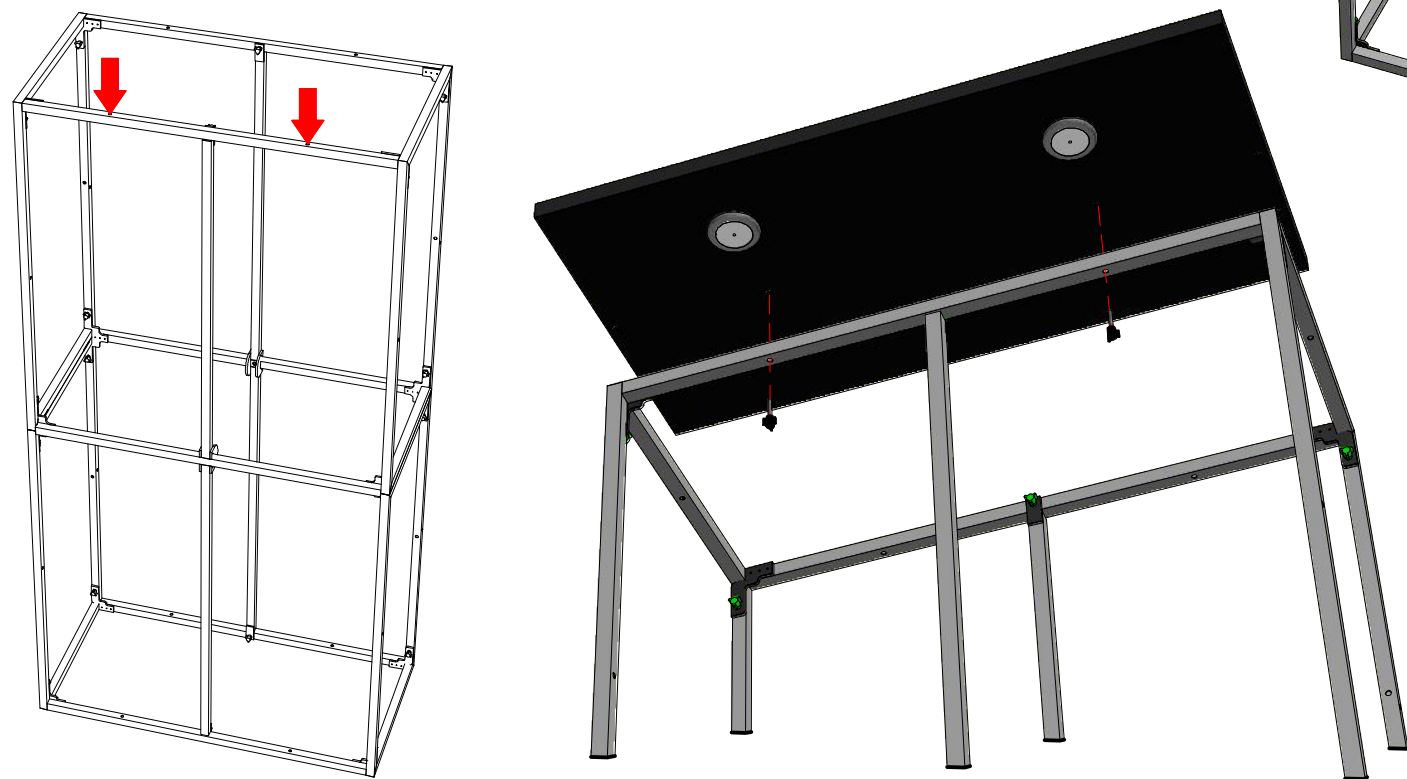
1st Step)

DETERMINE WHAT SIZE CANOPY IS APPLIED TO FRAMEWORK. EACH CANOPY SIZE CAN BE APPLIED TO BOTH A STANDARD SIZE FRAME AND A MAX SIZE FRAME. THEY CAN ALSO BE ORIENTED IN A SINGLE-SIDED OR DOUBLE-SIDED PLACEMENT. DOUBLE-SIDED USES (2) CANOPIES CONNECTED TOGETHER.



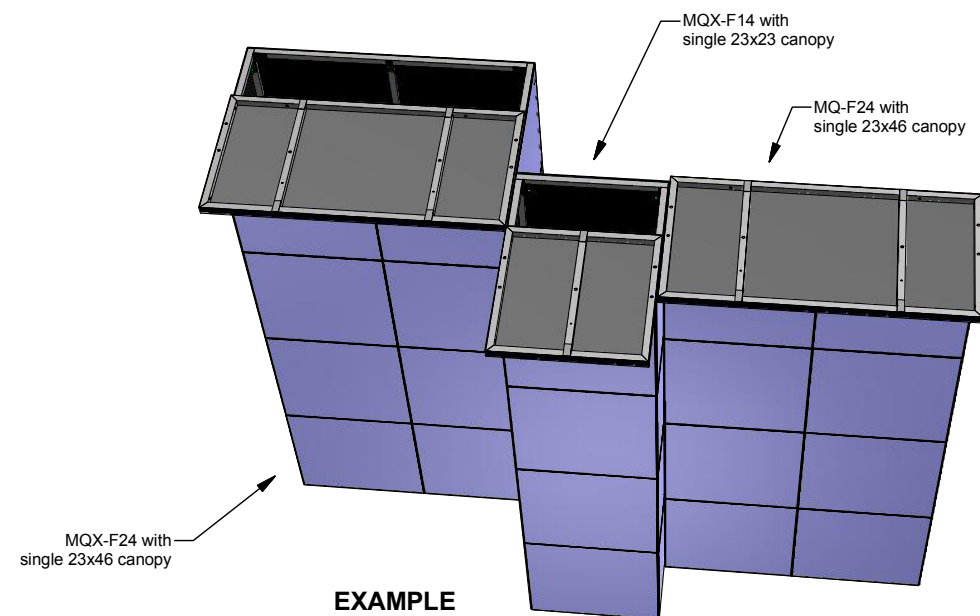
2nd Step)

LOCATE THRU HOLES ON TOP OF MULTIQUAD FRAME. USE BLACK THUMB SCREWS AND BOLT CANOPY TO FRAME FROM UNDERNEATH. RUN ELECTRICAL WIRING FOR LIGHTS INTO CENTER OF FRAME AND PLUG INTO POWER SOURCE.



3rd Step)

IF CREATING A DOUBLE-SIDED CANOPY, FOLLOW STEP 1 & 2 FOR THE OPPOSITE SIDE. CONNECT (2) CANOPIES TOGETHER USING RED THUMB SCREWS.



Expo Displays

3401 Mary Taylor Road
Birmingham, Alabama 35235
(205) 439-8200

Expo Displays
FLAT CANOPY
MQ-FC2346

Expo Displays
FLAT CANOPY
MQ-FC2323

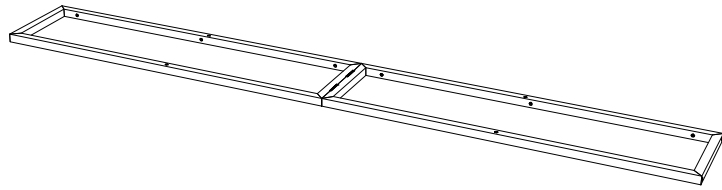
ASSEMBLY INSTRUCTIONS

MQ CANOPY

APPENDIX C1

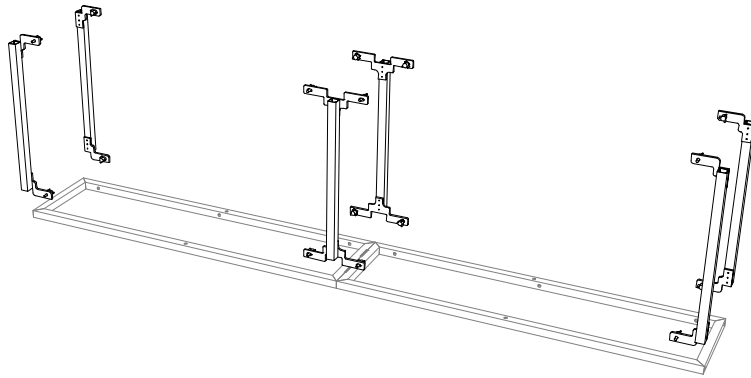
1st Step)

START WITH THE LEFT VERTICAL HINGED (LVH1) ON THE GROUND



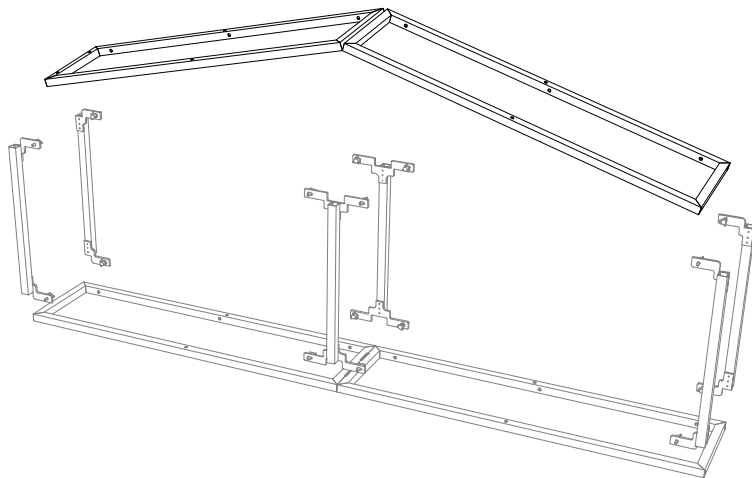
2nd Step)

ATTACH THE (2) TOP HORIZONTAL (TH2), THE (2) MIDDLE HORIZONTAL (MH2), AND THE (2) BOTTOM HORIZONTAL (BH2)



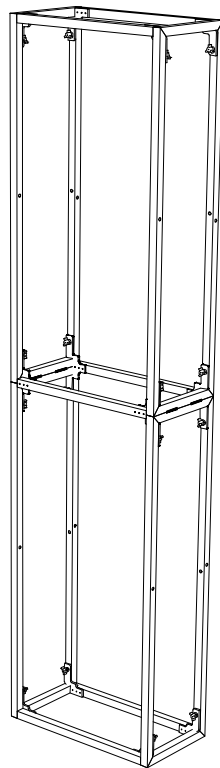
3rd Step)

ATTACH THE RIGHT HINGED SIDE (RVH1)



4th Step)

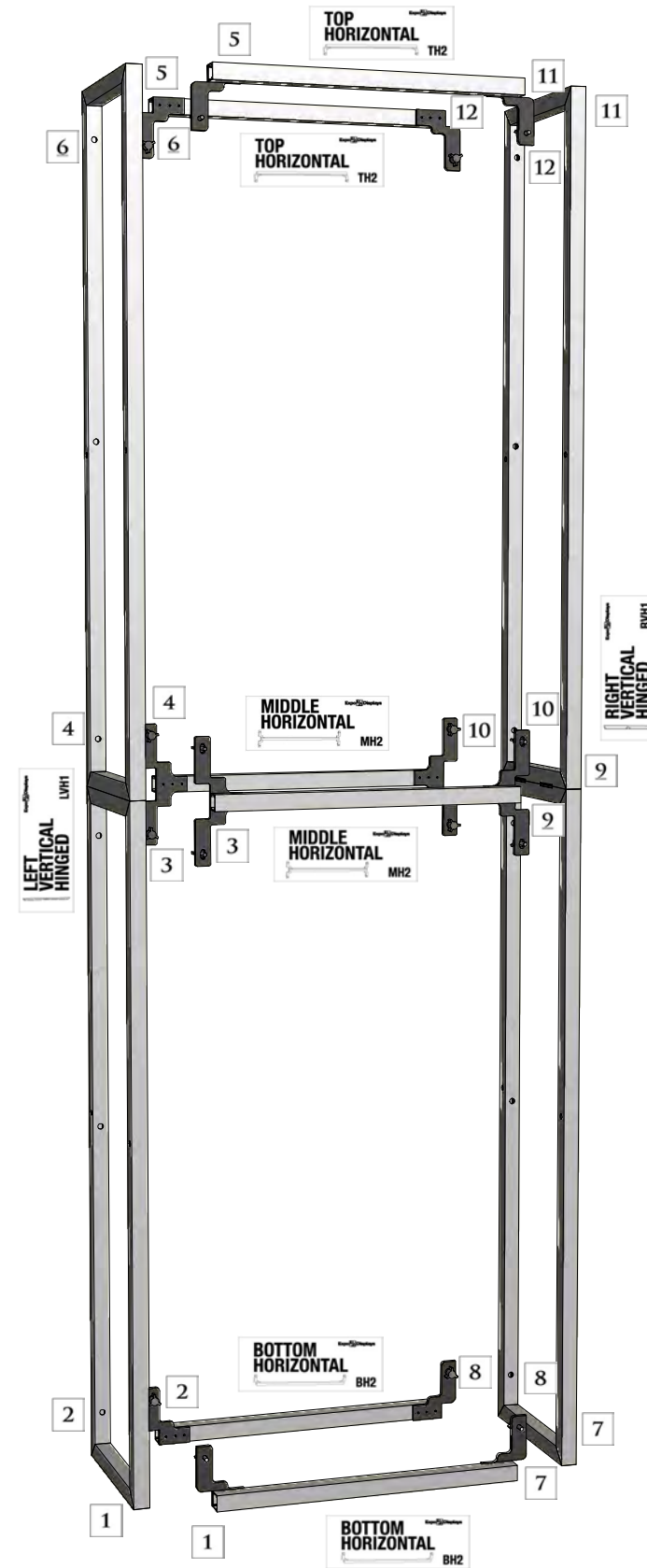
STAND UP-RIGHT



MATCH NUMBERS TO CONSTRUCT



| PARTS LIST | | |
|------------|-------|-----------------------|
| QNTY | LABEL | NAME |
| 1 | LVH1 | LEFT VERTICAL HINGED |
| 1 | RVH1 | RIGHT VERTICAL HINGED |
| 2 | BH2 | BOTTOM HORIZONTAL |
| 2 | MH2 | MIDDLE HORIZONTAL |
| 2 | TH2 | TOP HORIZONTAL |
| 1 | GRN | 1" GREEN THUMB SCREW |
| 4 | RED | 2" RED THUMB SCREW |



Expo Displays

3401 Mary Taylor Road
Birmingham, Alabama 35235
(205) 439-8200

THIS PART USED TO MAKE
MQ-F14
1x4 STANDARD FRAME

ASSEMBLY INSTRUCTIONS
1x4 STANDARD FRAME
MQ-F14

APPENDIX D

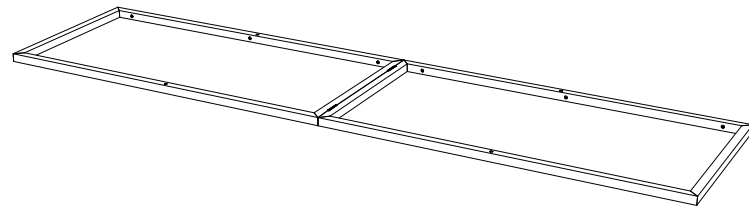
| PARTS LIST | | |
|------------|---------|----------------------------|
| QNTY | LABEL | NAME |
| 1 | LVHX | LEFT VERTICAL HINGED MAX |
| 1 | RVHX | RIGHT VERTICAL HINGED MAX |
| 2 | BH1 | BOTTOM HORIZONTAL BAR |
| 2 | TH1 | TOP HORIZONTAL BAR |
| 2 | MH1 | MIDDLE HORIZONTAL BAR |
| 1 | CVH1 | CENTER VERTICAL HINGED BAR |
| 1 | CVH2 | CENTER VERTICAL HALF |
| 20 | GRN | 1" GREEN THUMB SCREW |
| 1 | MQX-MM1 | MAX MEDIA MOUNT |

NOTE:

REFER TO APPENDIX J FOR BASIC MQX-F24 FRAME ASSEMBLY AND APPENDIX J7 FOR MAX MEDIA MOUNT ASSEMBLY

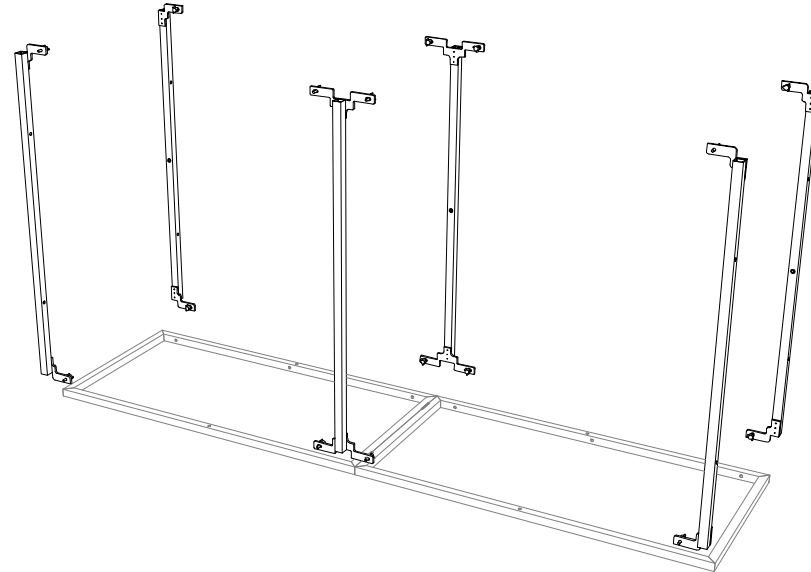
1st Step)

START WITH THE LEFT VERTICAL (LVHX) ON THE GROUND



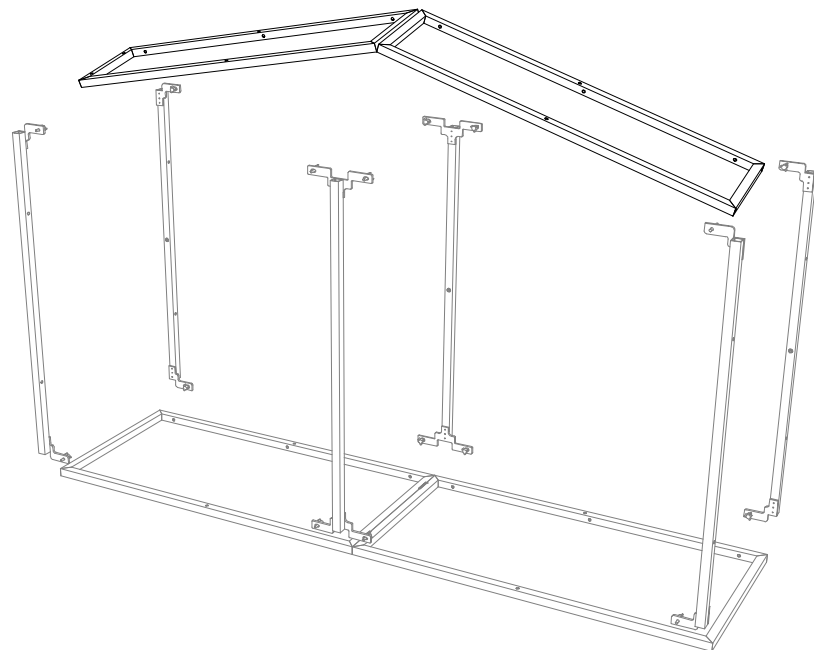
2nd Step)

ATTACH THE (2) TOP HORIZONTAL (TH1), THE (2) MIDDLE HORIZONTAL (MH1), AND THE (2) BOTTOM HORIZONTAL (BH1)



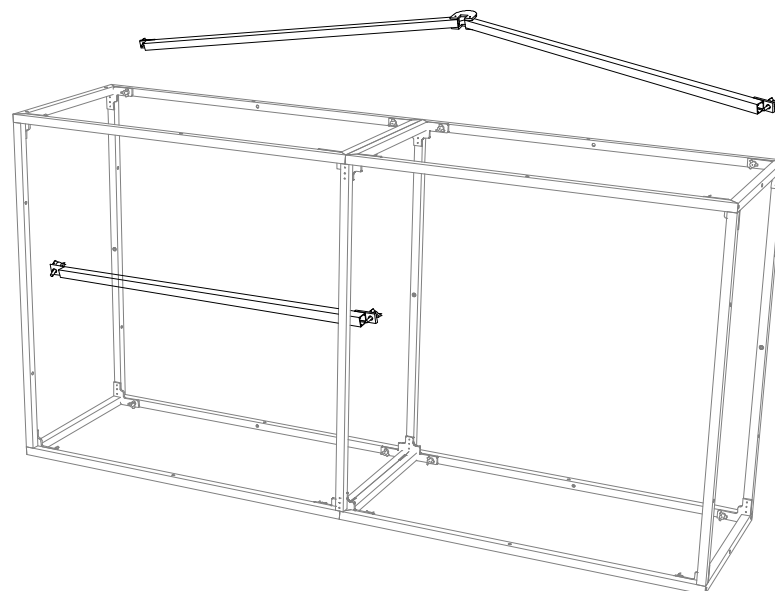
3rd Step)

ATTACH THE RIGHT HINGED SIDE (RVH1)



4th Step)

ATTACH THE (1) CENTER VERTICAL HINGED (CVH1) TO BACK OF FRAME, AND (1) CENTER VERTICAL (CVH2) TO BOTTOM-FRONT OF FRAME, AND STAND UP-RIGHT



*MATCH NUMBERS TO CONSTRUCT



Expo Displays

3401 Mary Taylor Road
Birmingham, Alabama 35235
(205) 439-8200



ASSEMBLY INSTRUCTIONS

MQX-F24 WITH MAX MEDIA MOUNT

APPENDIX J6

PARTS LIST:

| # | LABEL | NAME |
|---|----------|-----------------|
| 1 | MQ-LM4QD | MAX MEDIA MOUNT |

1st Step)

THIS SET OF ASSEMBLY INSTRUCTIONS FOCUSES ON THE SINGLE - SIDED MOUNT (MQ-LM4QD). THE SAME PROCEDURES APPLY WHEN SETTING UP THE DOUBLE SIDED (MQ-LM4Q) AND THE DOUBLE SIDED CONVERSION KIT (MQ-LM4QC)



MQ-LM4Q
SINGLE SIDED
MEDIA MOUNT



MQ-LM4QC
DOUBLE SIDED
CONVERSION
KIT



2nd Step)

AN M10 HEX KEY WILL BE INCLUDED WITH THE MOUNT THAT WILL BE USED TO FASTEN THE EXTRUSIONS TOGETHER.



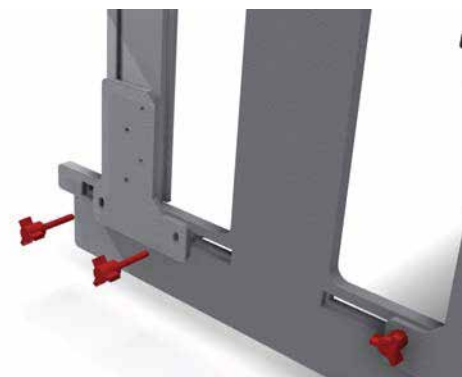
M10 HEX KEY

THE CIRCLES REPRESENT THE EXTRUSION LOCKS.

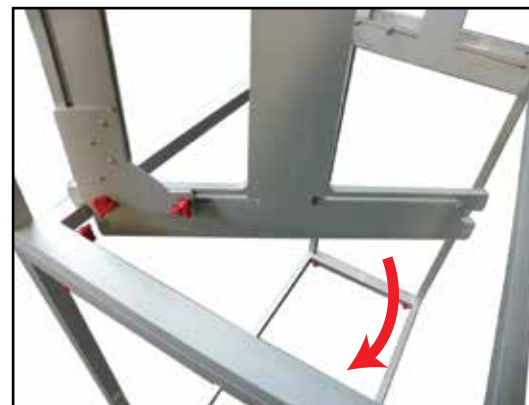
TIGHTEN THE LOCKS USING THE HEX KEY BY TURNING IT CLOCKWISE UNTIL THE MECHANISM LOCKS INSIDE THE CHANNEL.



USE THE M10 HEX KEY TO TIGHTEN THE LOCKS THAT ATTACH THE VESA TV MOUNT TO THE ARMS.



ATTACH THE ASSEMBLED ARMS TO THE "I" SHAPED CENTER VERTICAL SUPPORT USING THE PROVIDED RED THUMBSCREWS AND WING NUTS.



4th Step)

LINE THE MONITOR'S CENTER WITHIN THE CENTER OF THE FRAME. THEN GENTLY HOOK THE UNIT'S BACK ONTO THE FRAME



THE "I" SHAPED CENTER HOOKS ON TO THE BACK OF THE MQXF24 FRAME.

NOTE: EXPODISPLAYS® WILL OFTEN ADD ARROWS ON THE EXTRUSIONS TO INDICATE THE IDEAL LOCATION OF THE MONITORS. SIMPLY CONNECT THE ARROWS.



5th Step)

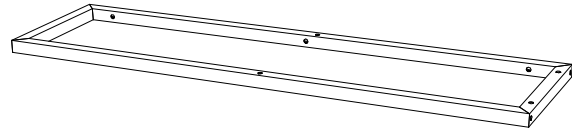
CHECK TO MAKE SURE MONITOR BRACKET IS LEVEL USING BUBBLE INDICATOR ON FRONT



| PARTS LIST | | |
|------------|-------|--------------------------|
| QNTY | LABEL | NAME |
| 1 | LVR1 | LEFT VERTICAL RECTANGLE |
| 1 | RVR1 | RIGHT VERTICAL RECTANGLE |
| 1 | BHR2 | BOTTOM HORIZONTAL RECT. |
| 1 | THR2 | TOP HORIZONTAL RECT. |
| □ | RED | 2" RED THUMB SCREW |

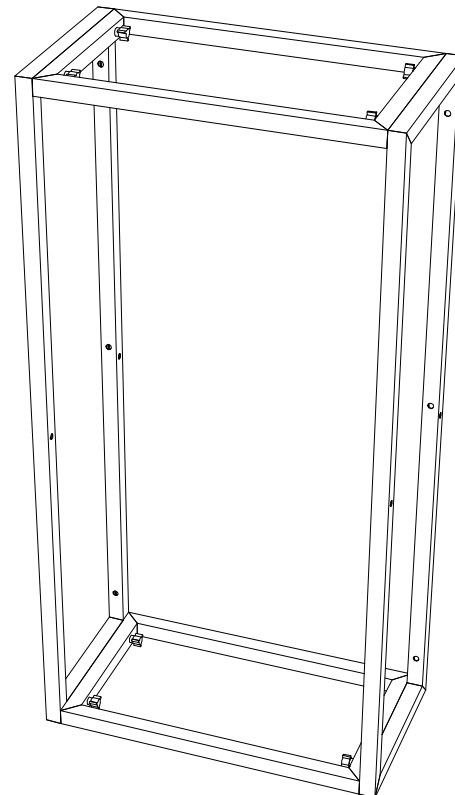
1st Step

START WITH THE LEFT VERTICAL RECTANGLE (LVR1) ON THE GROUND



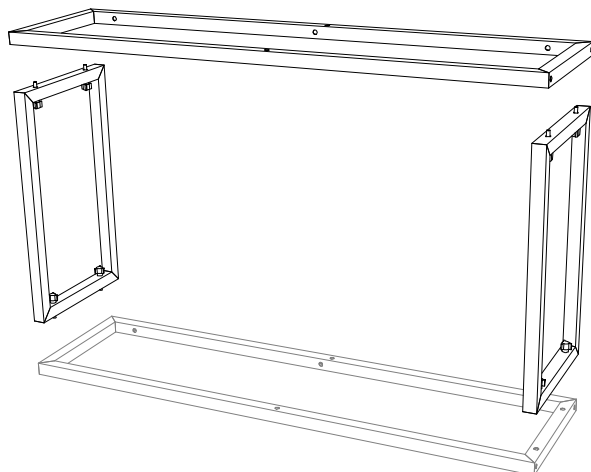
2nd Step

STAND UP RIGHT

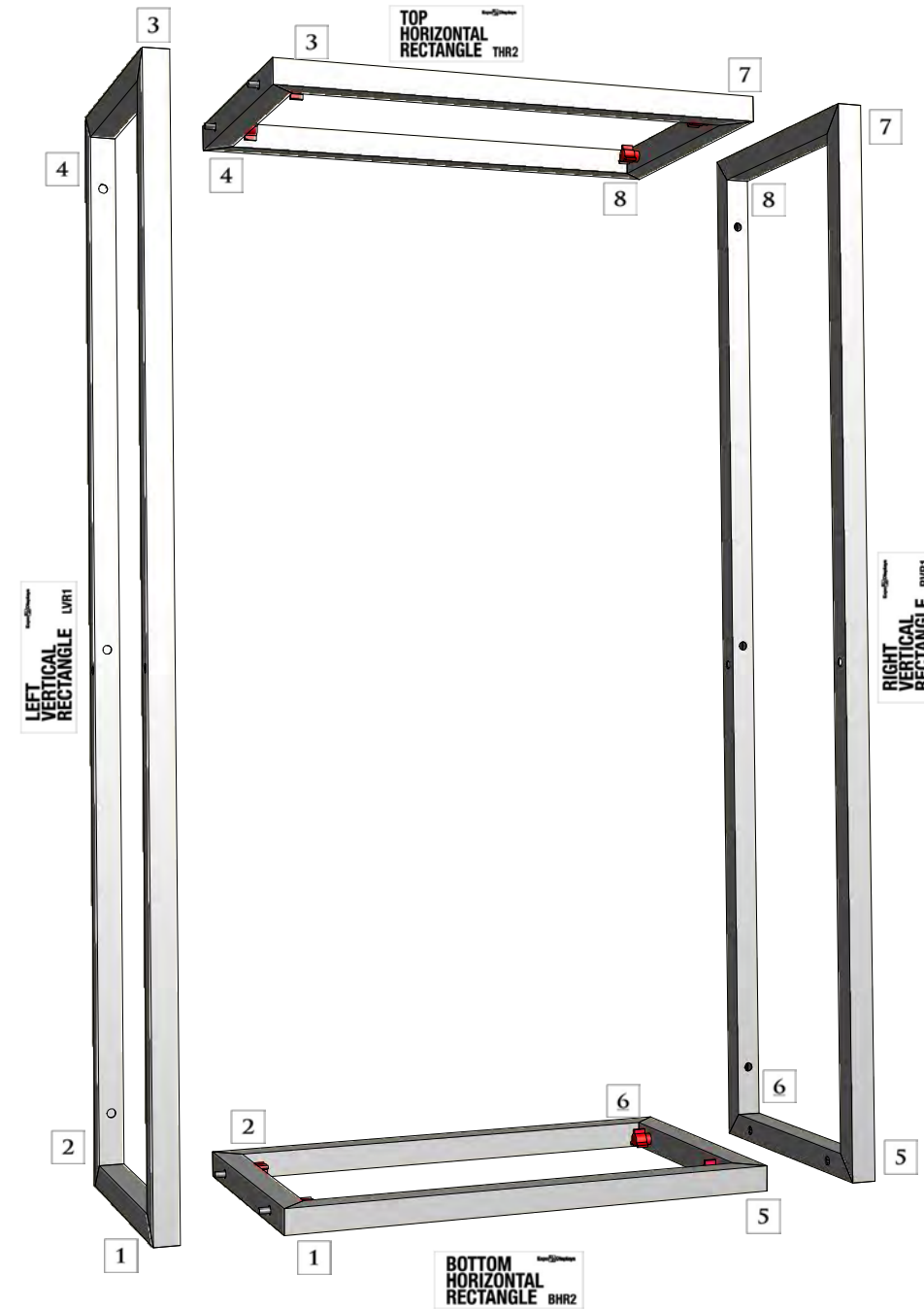


3rd Step

ATTACH THE TOP & BOTTOM HORIZONTAL (THR2, BHR2), THEN ATTACH THE RIGHT VERTICAL RECTANGLE



MATCH NUMBERS TO CONSTRUCT



Expo Displays

3401 Mary Taylor Road
Birmingham, Alabama 35235
(205) 439-8200

THIS PART USED TO MAKE
MQ-F12
1x2 STANDARD FRAME

ASSEMBLY
INSTRUCTIONS

1x2 STANDARD FRAME
MQ-F12

APPENDIX T