

EXPOLIGHT CURVE ASSEMBLY (CONCAVE OR CONVEX)



Expo EXPO Displays
A Division of Diamond Displays International

3401 Mary Taylor Road
Birmingham, Alabama 35235
(205) 439-8200

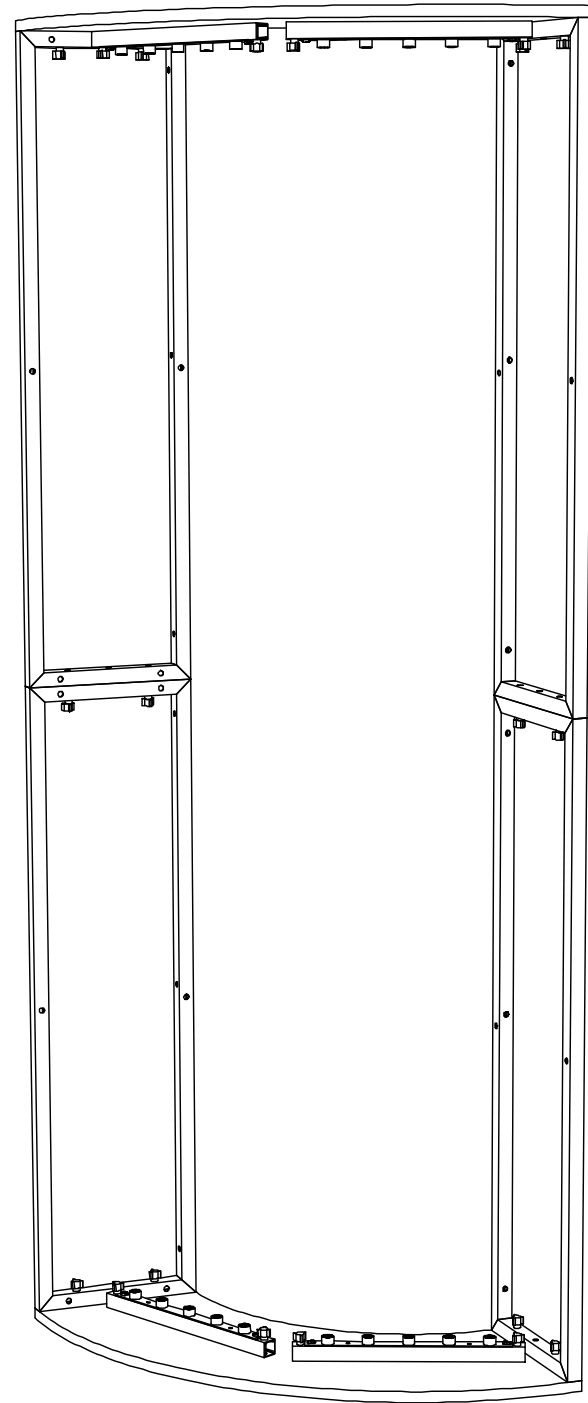
Drawn By: CASS

Project Title

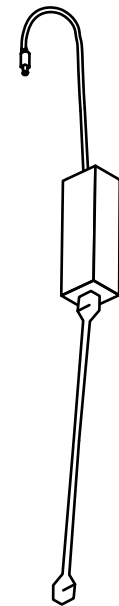
Sheet Title

**ASSEMBLY
INSTRUCTIONS**
**EXPOLIGHT®
ASSEMBLY**

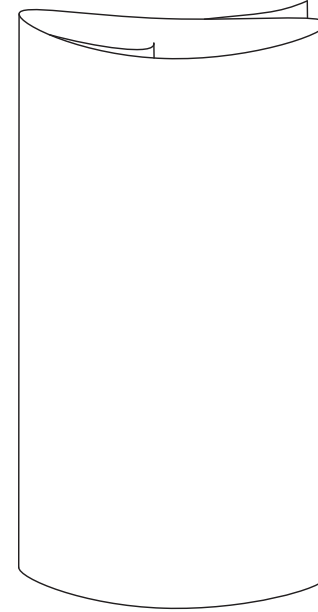
PARTS NEEDED :



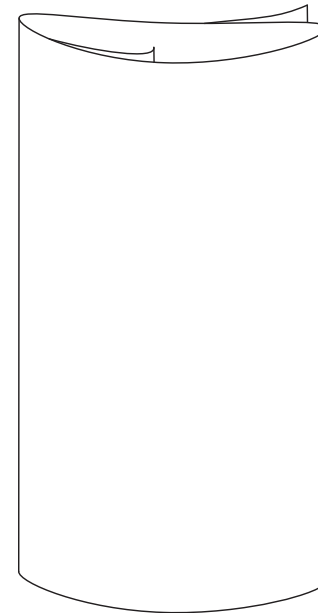
POWER CORD
& TRANSFORMER



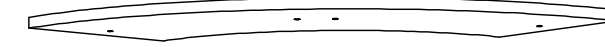
BACKLIT
GRAPHIC



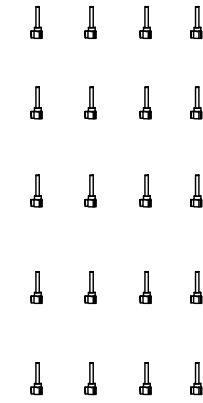
MAGNETIC REAR
LIGHT BLOCKER



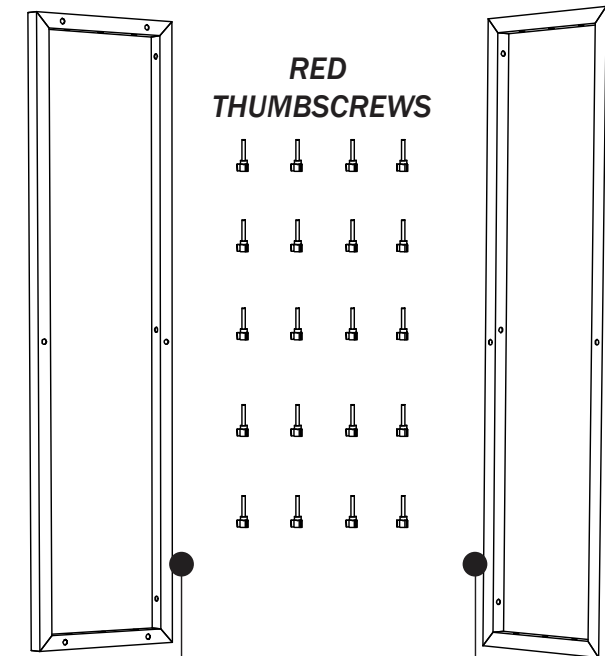
TOP



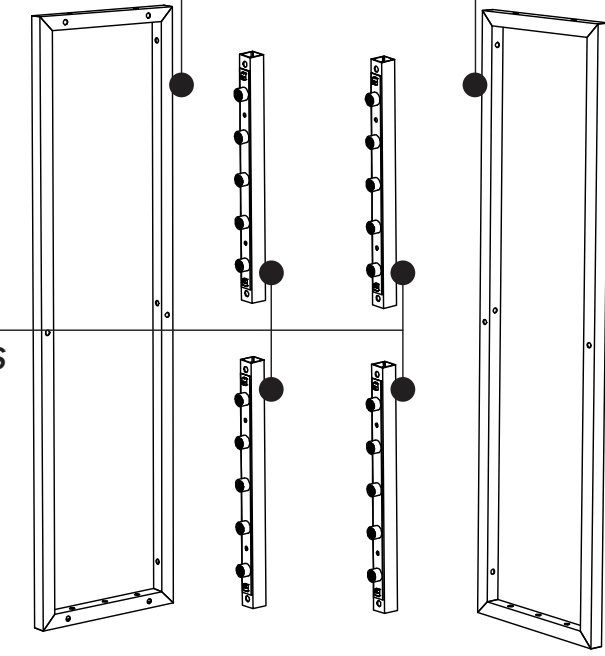
RED
THUMBSCREWS



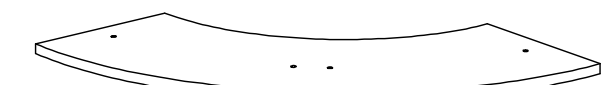
(4)
TOP VERTICAL FRAMES



(4)
16" LIGHTBARS



BOTTOM



EXPOLIGHT CURVE ASSEMBLY (CONCAVE OR CONVEX)



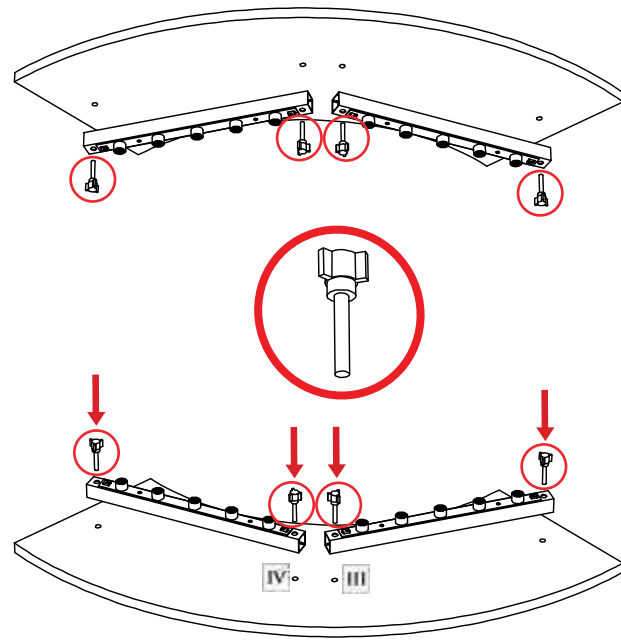
Expo EXPO Displays
A Division of Diamond Displays International

3401 Mary Taylor Road
Birmingham, Alabama 35235
(205) 439-8200

Drawn By: CASS

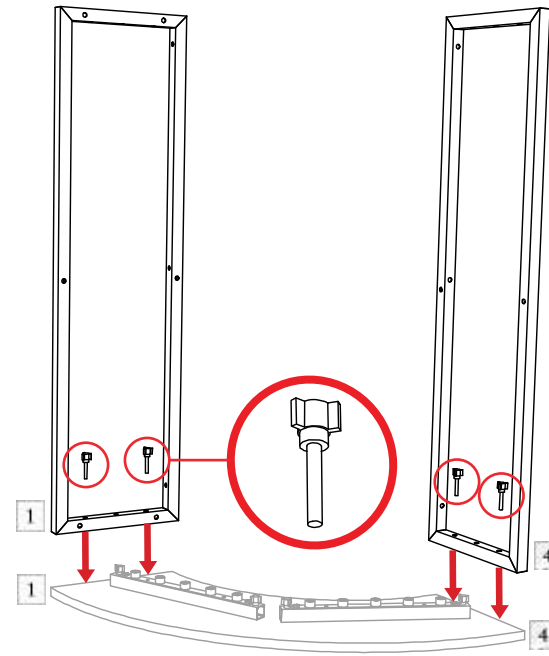
Project Title

Sheet Title



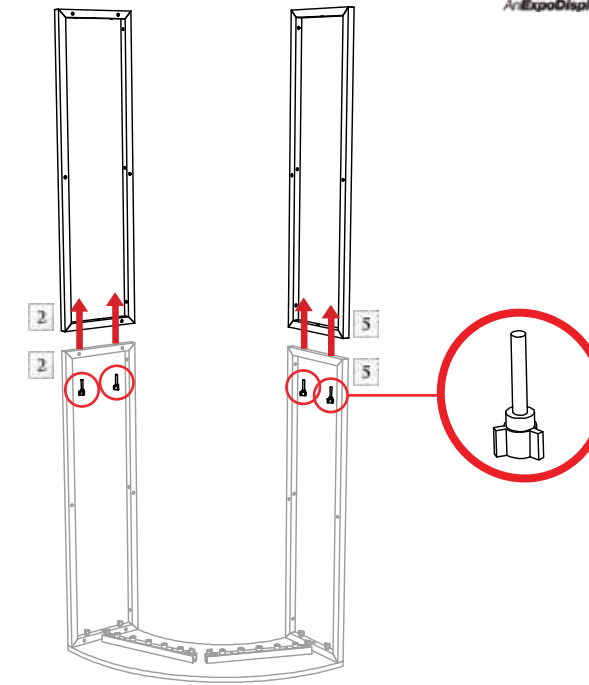
STEP 1

MATCH NUMBERS TO CONNECT
(4) 16" LIGHTBARS TO **BOTTOM** AND **TOP**
WITH (8) **RED THUMBSCREWS**



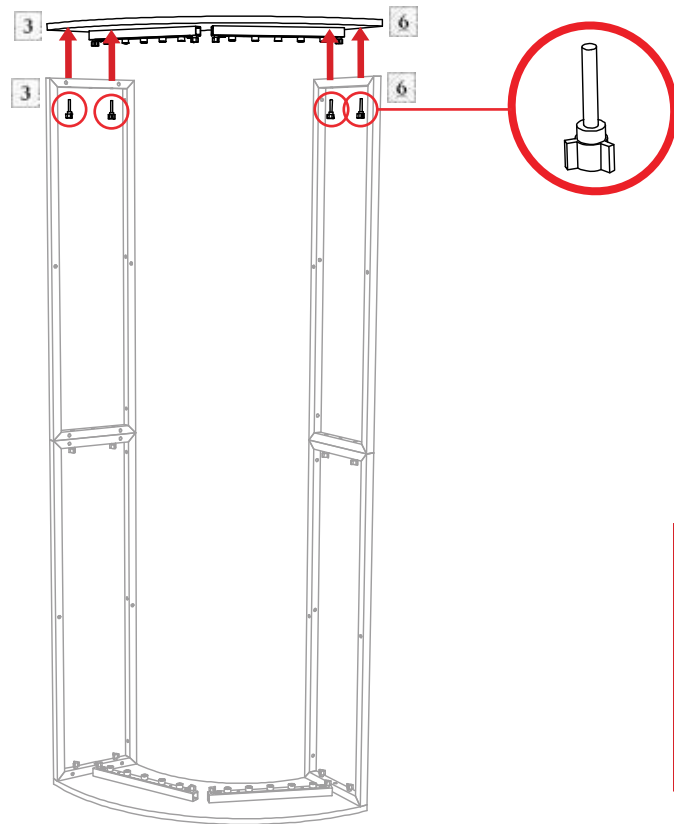
STEP 2

MATCH NUMBERS TO CONNECT
(2) **TOP VERTICAL FRAMES** TO **BOTTOM**
WITH (4) **RED THUMBSCREWS**



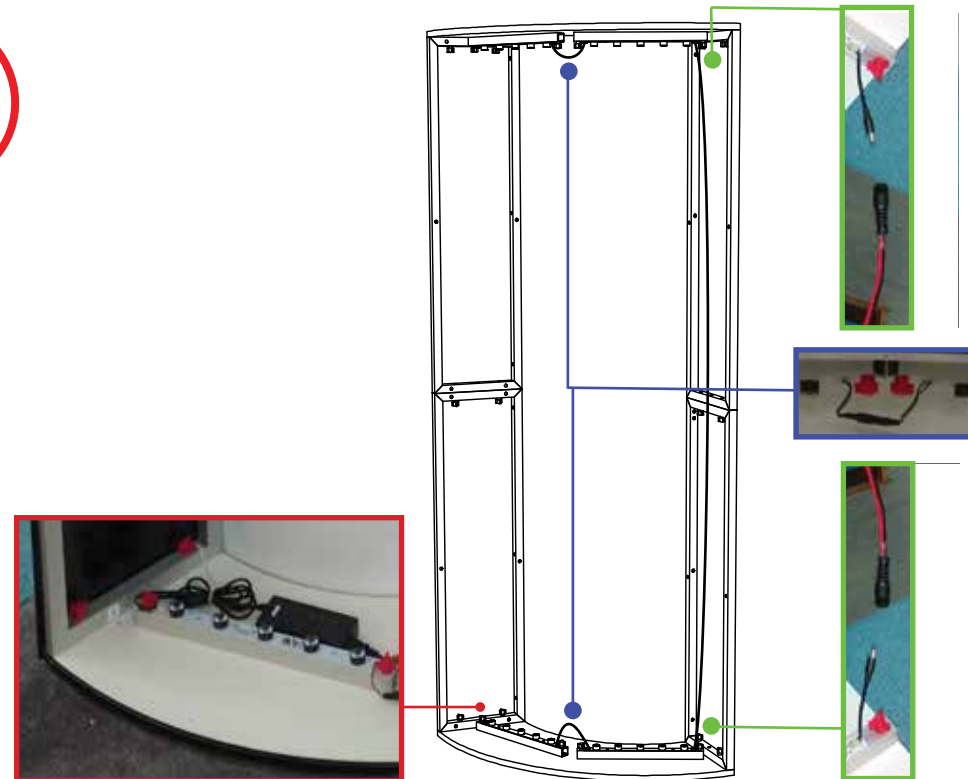
STEP 3

MATCH NUMBERS TO CONNECT
(2) **TOP VERTICAL FRAMES** TO
TOP VERTICAL FRAMES WITH (4) **RED THUMBSCREWS**



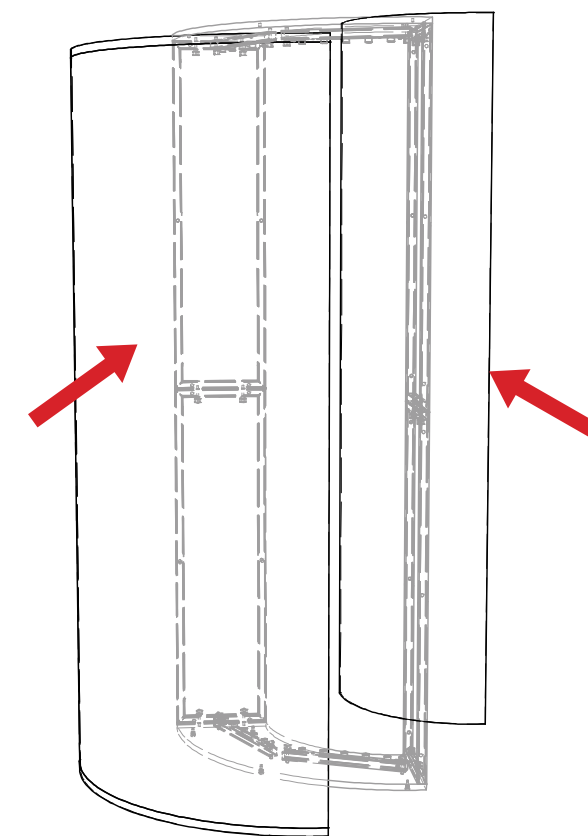
STEP 4

MATCH NUMBERS TO CONNECT **TOP** TO
TOP VERTICAL FRAME WITH (4) **RED THUMBSCREWS**



STEP 5

CONNECT 16" **LIGHTBARS** WITH **POWER CORDS**
AND ARRANGE **POWER SUPPLY** AS SHOWN



STEP 6

ATTACH **MAGNETIC**
LIGHT BLOCKER & BACKLIT GRAPHIC

**ASSEMBLY
INSTRUCTIONS**
**EXPOLIGHT®
ASSEMBLY**