

WHEN ASSEMBLING **EX PO MultiQuad**[®]

REMEMBER YOUR **ABC**'s...

ASSEMBLE EACH COMPONENT SEPARATELY

BUILD THE DESIRED LAYOUT

COVER YOUR MULTIQUAD LAYOUT WITH QUADS



EX PO MultiQuad[®]
An **ExpoDisplays** Product

10'x20' Custom MultiQuad[®]

EX PO

Expo EX PO Displays[®]
A Division of Diamond Displays International

3401 Mary Taylor Road
Birmingham, Alabama 35235
(205) 439-8200

Project Title

10x20 MULTIQUAD[®]

Sheet Title

ASSEMBLY
INSTRUCTIONS
COVER SHEET

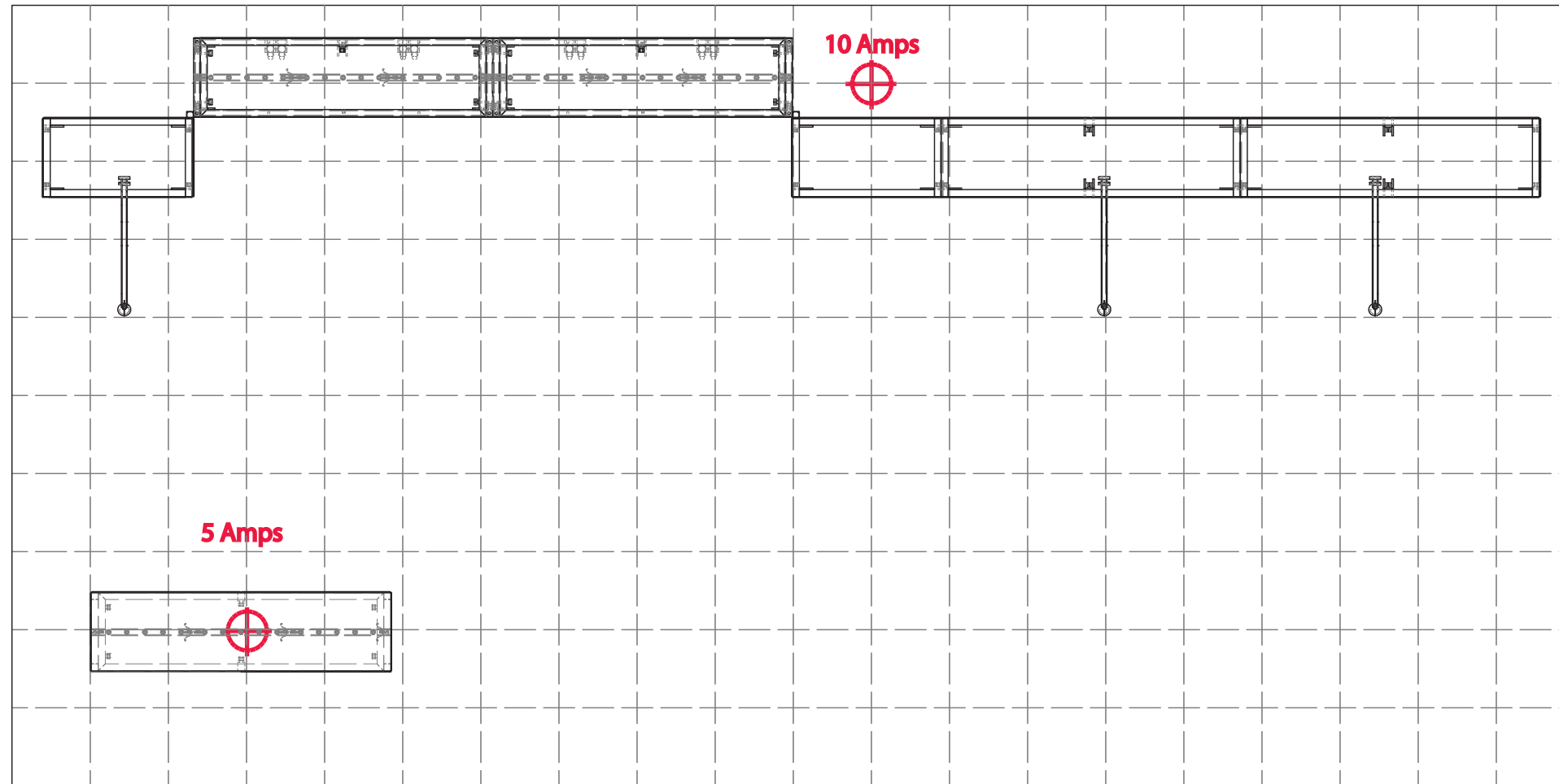
Page 1



BOOTH # _____ ↗

BOOTH # ↗

BOOTH # ↗



BOOTH # _____ ↘

FRONT OF DISPLAY

1 Square = 1'- 0"

	MAIN ELECTRICAL DROP
	ELECTRICAL OUTLET
	POWER CORDS RUN UNDER CARPET

SHOW: _____

BOOTH: _____

10x20 MULTIQAD®

Sheet Title

ASSEMBLY INSTRUCTIONS
ELECTRICAL PLAN

STANDARD FRAME
(SEE APPENDIX D)



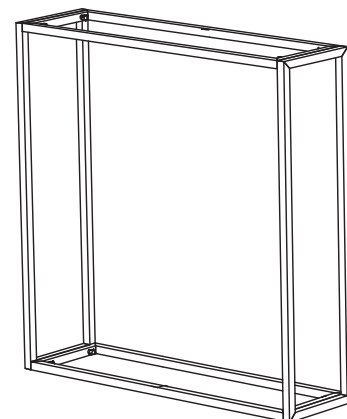
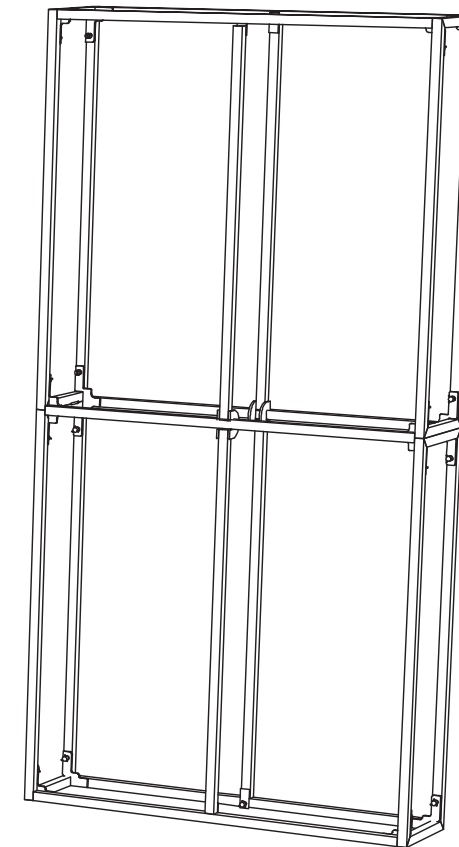
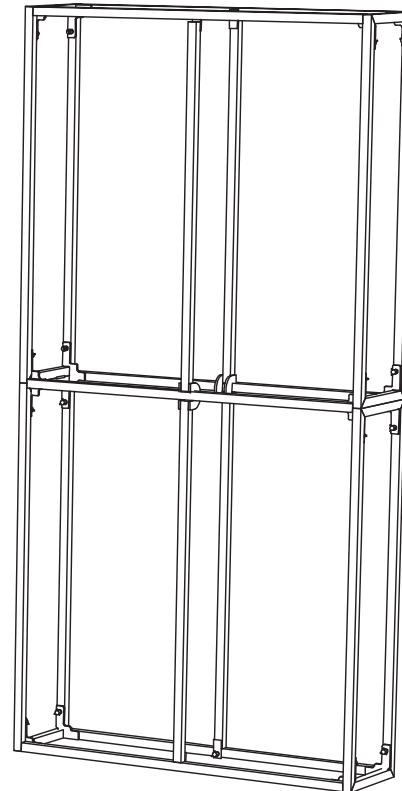
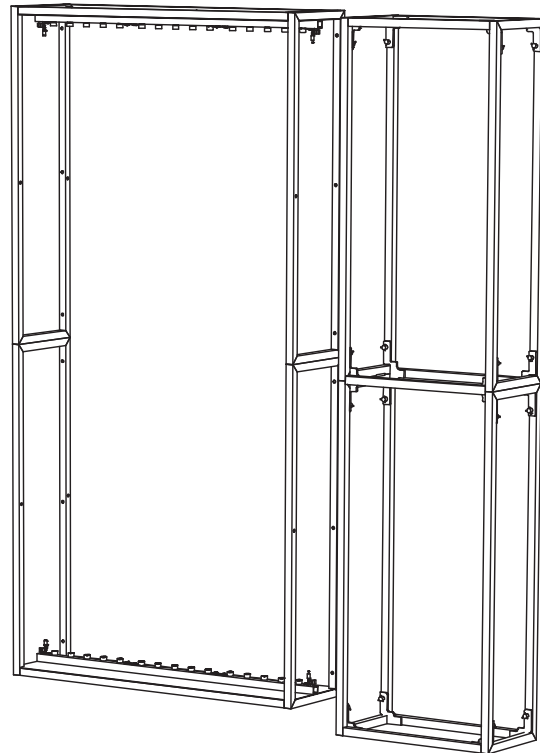
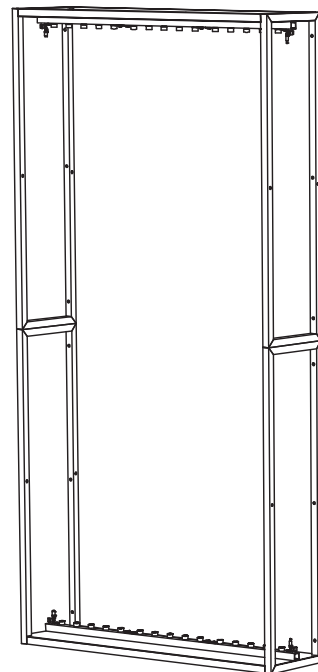
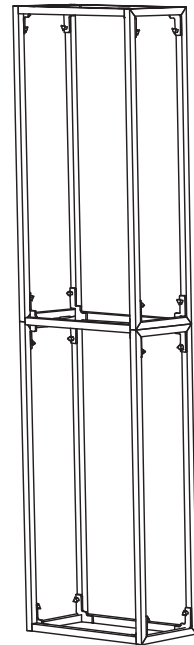
STANDARD FRAME
(SEE APPENDIX D)



STANDARD FRAME
(SEE APPENDIX B)



STANDARD FRAME
(SEE APPENDIX B)



MAX FRAME
(SEE APPENDIX L)
THIS PART USED TO MAKE
MQX-F22
2x2 MAX FRAME
(LEAVE FRONT OPEN)

* ASSEMBLE ALL LISTED FRAMES
SEPARATELY USING APPENDIX PAGES



Expo EX PO Displays
A Division of Diamond Displays International

3401 Mary Taylor Road
Birmingham, Alabama 35235
(205) 439-8200

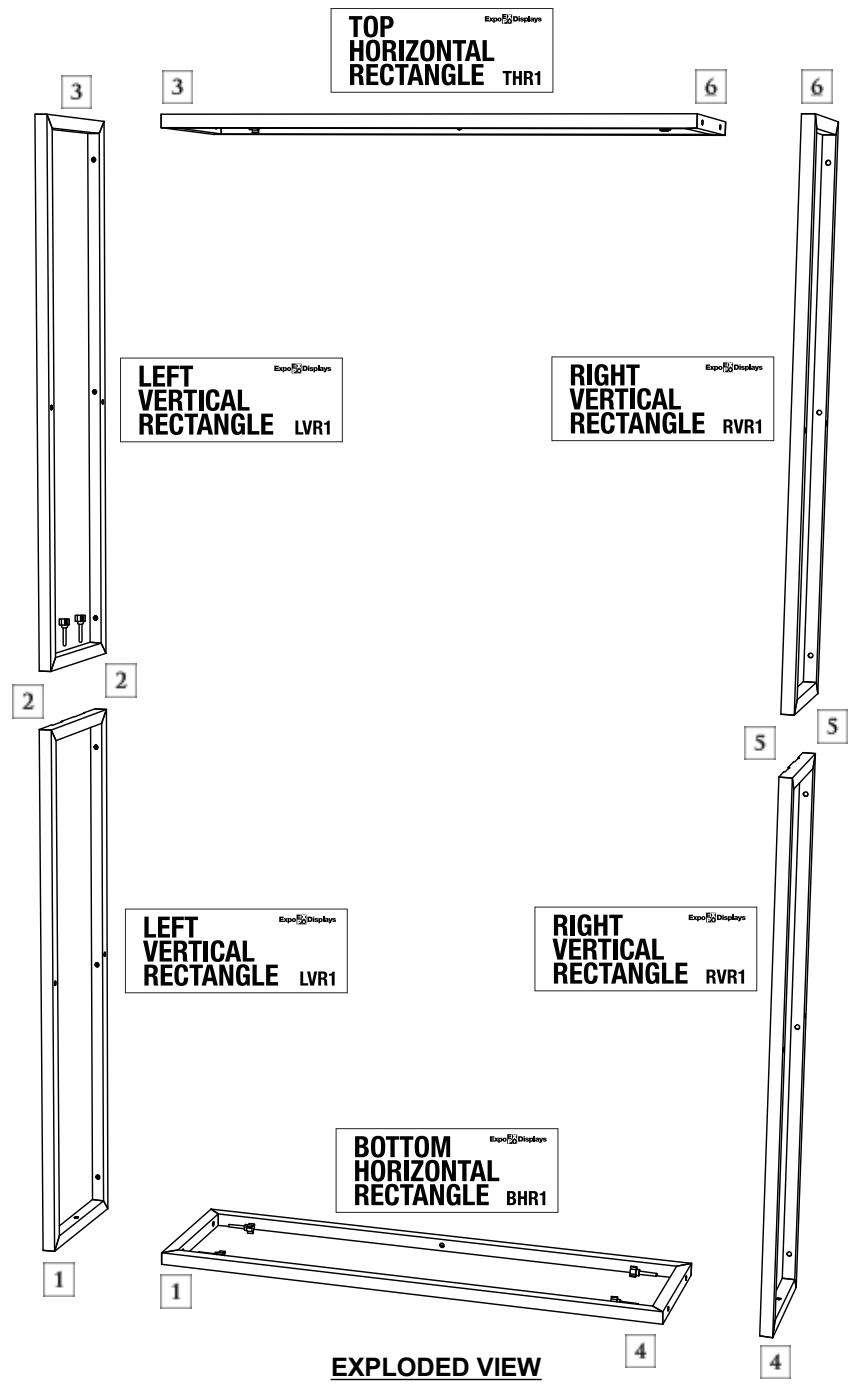
Job #: 69216

Date: 9.7.16

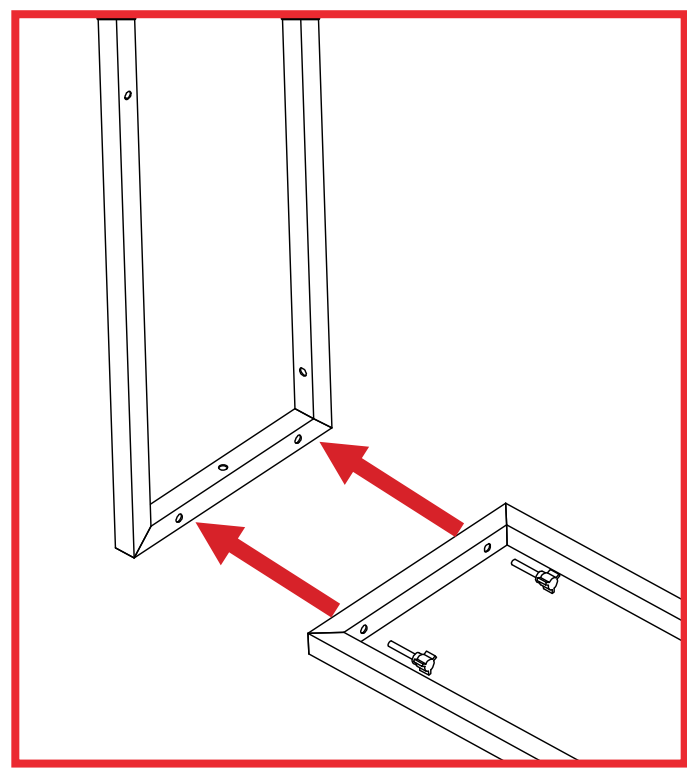
Drawn By: CASS

Project Title
Global Healthcare
10x20 MULTIQUAD®

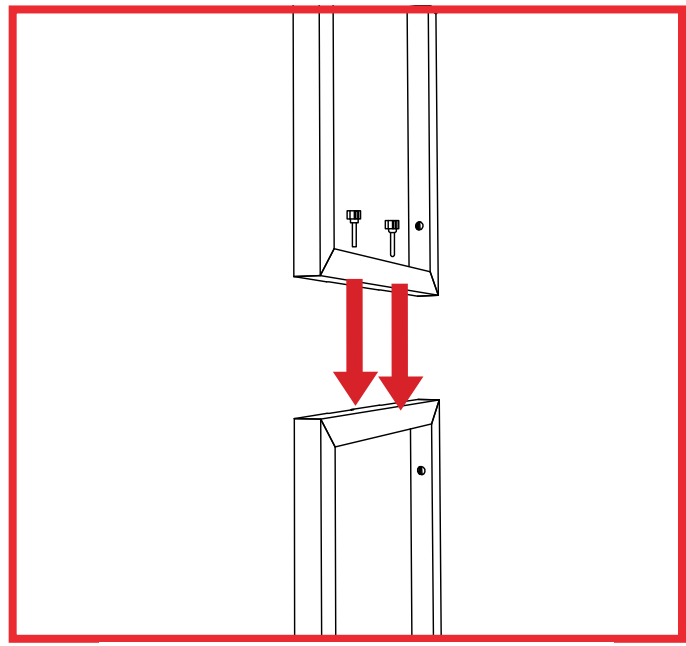
Sheet Title
ASSEMBLY INSTRUCTIONS
EXPLODED LAYOUT



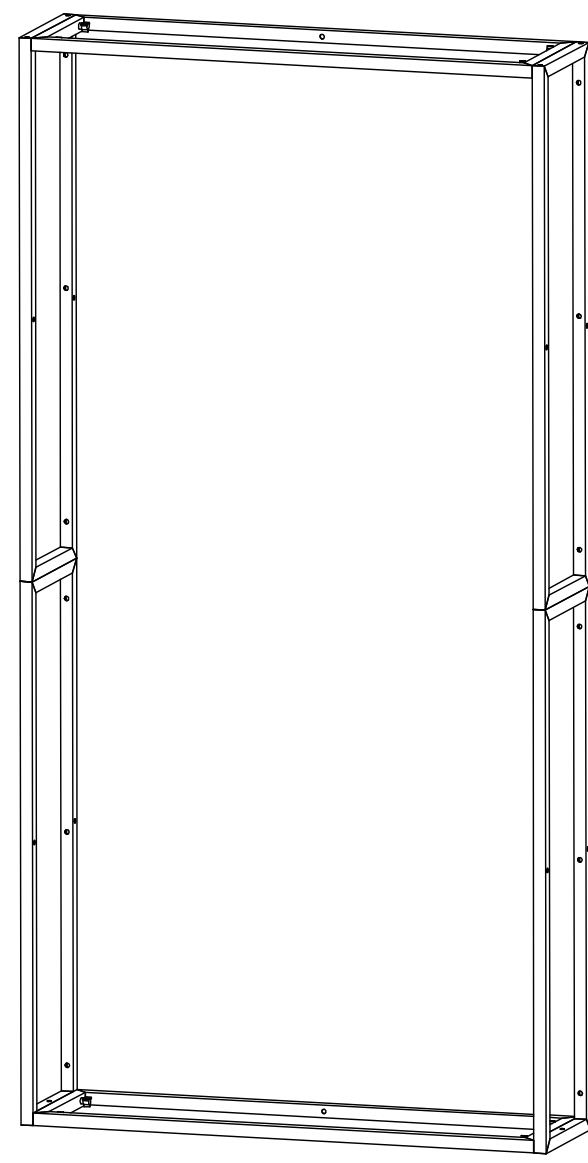
MATCH EACH
NUMBER TO ITS MATE
(ASSEMBLE ON FLOOR)



CORNER JOINTS 1, 3, 4, 6
(JOINED WITH RED THUMBSCREWS)



MIDDLE JOINTS 2 AND 5
(JOINED WITH RED THUMBSCREWS)



ASSEMBLED VIEW



Expo EXPO Displays
A Division of Diamond Displays International

3401 Mary Taylor Road
Birmingham, Alabama 35235
(205) 439-8200

Project Title

10x20 MULTIQUEAD®

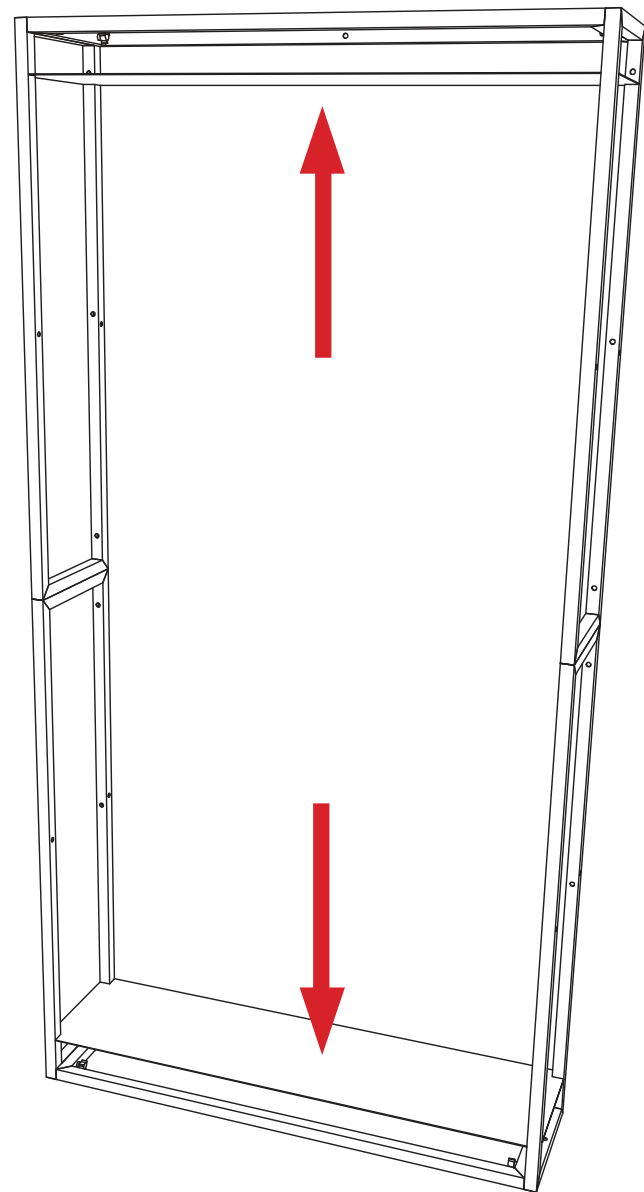
Sheet Title

ASSEMBLY
INSTRUCTIONS
EXPOLIGHT®
ASSEMBLY

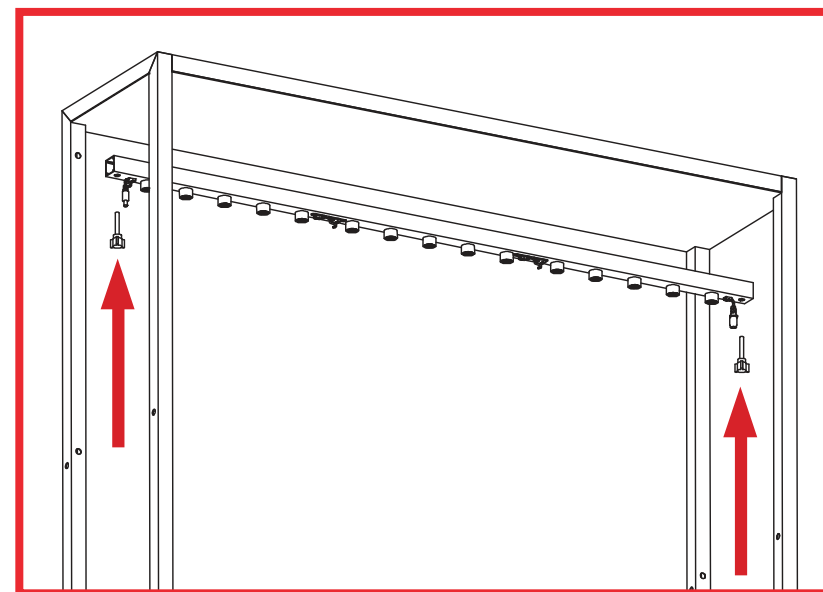
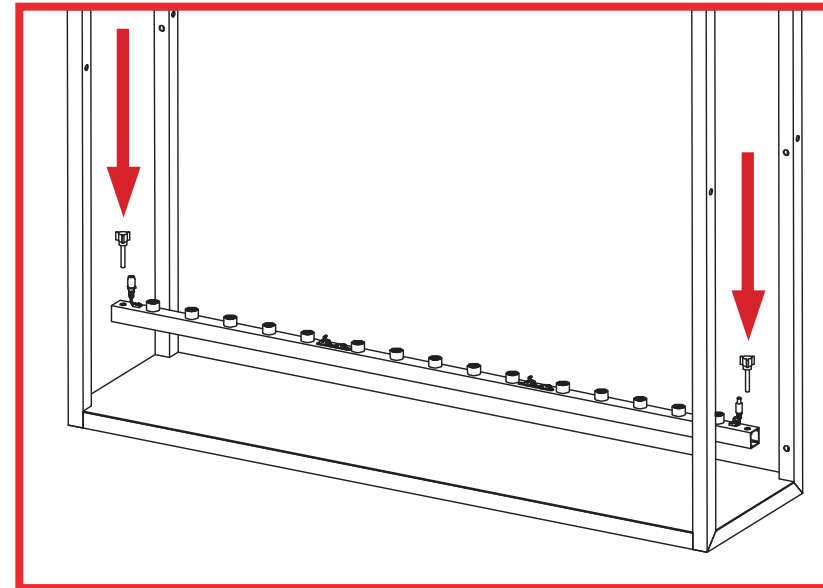
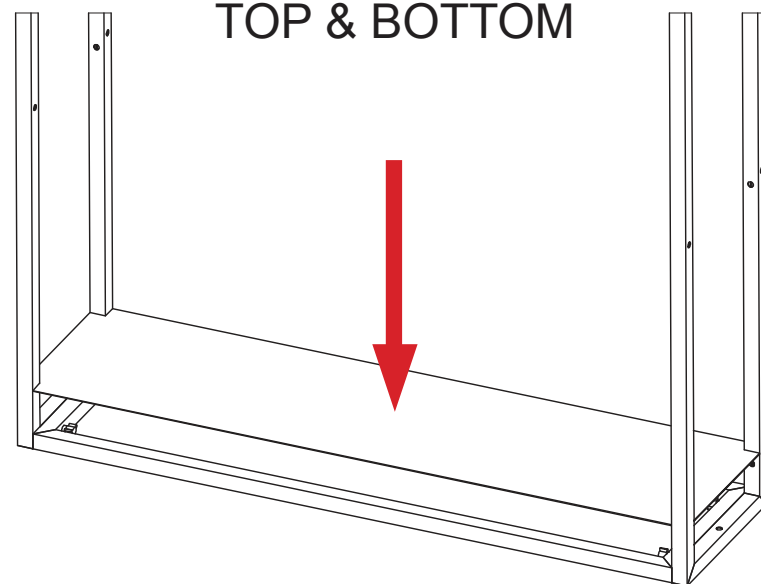
10x20 MULTIQAD®

Sheet Title

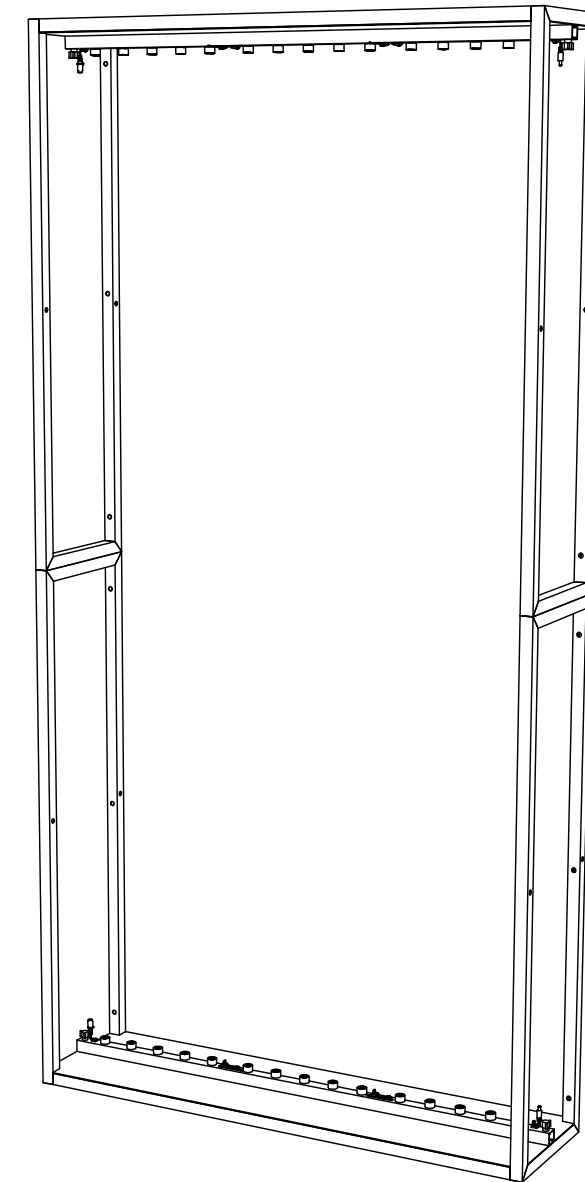
**ASSEMBLY
INSTRUCTIONS**
**EXPOLIGHT®
ASSEMBLY**



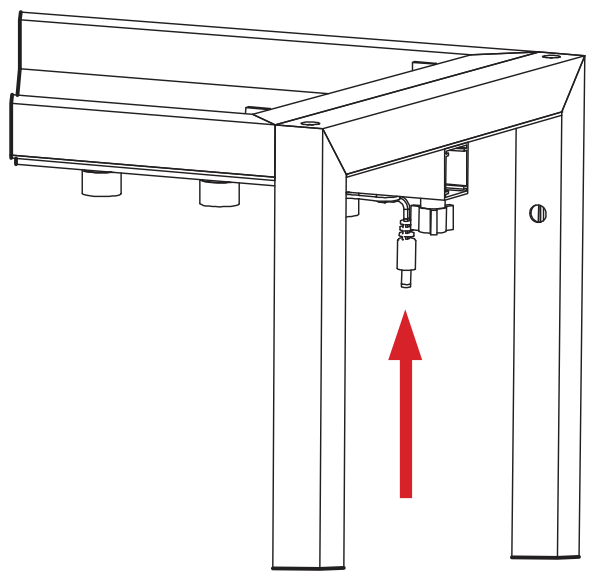
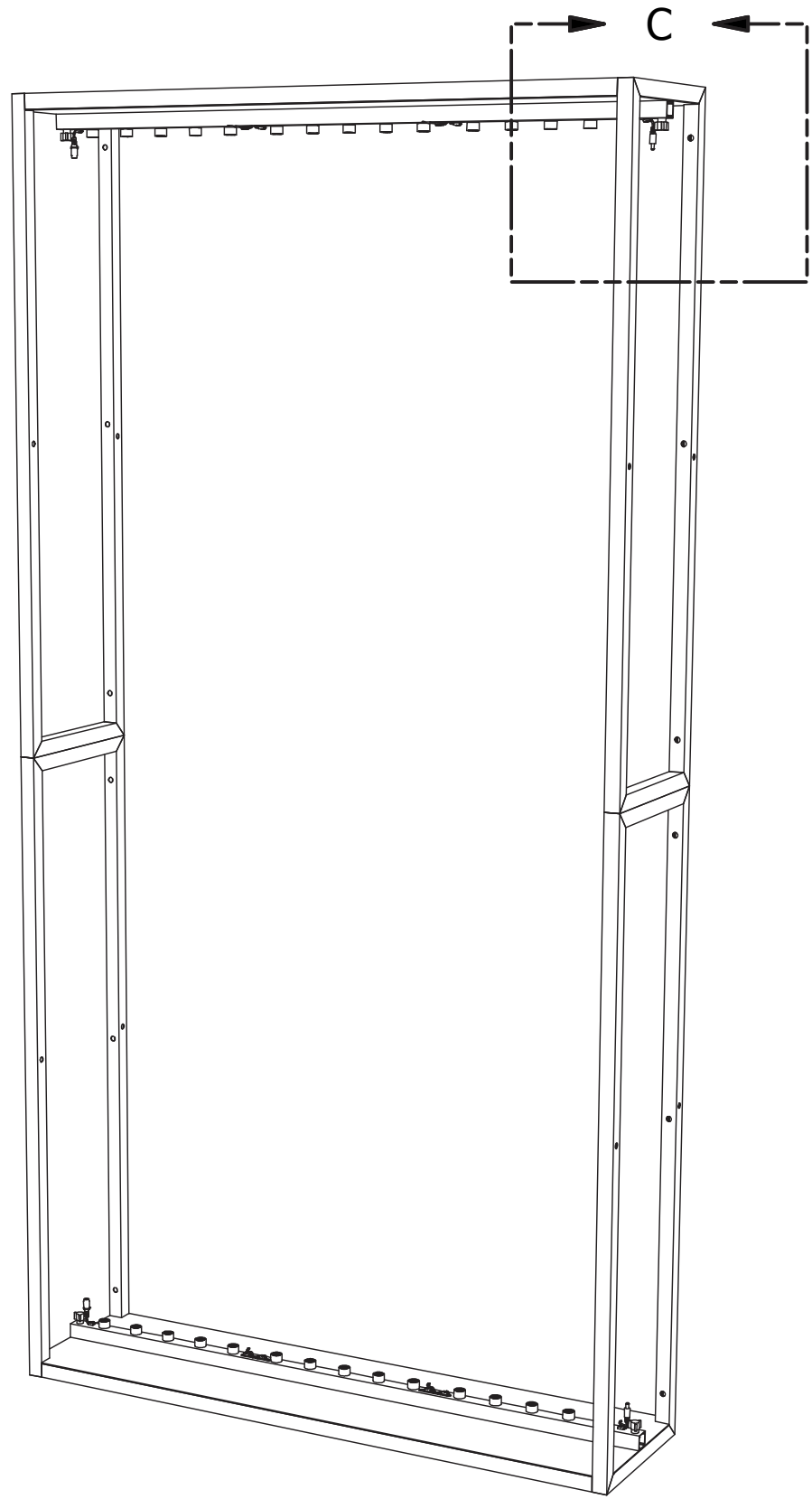
PLACE WHITE ABS ON
TOP & BOTTOM



SECURE LIGHT BARS & ABS
TO TOP & BOTTOM OF FRAME
WITH RED THUMBSCREWS

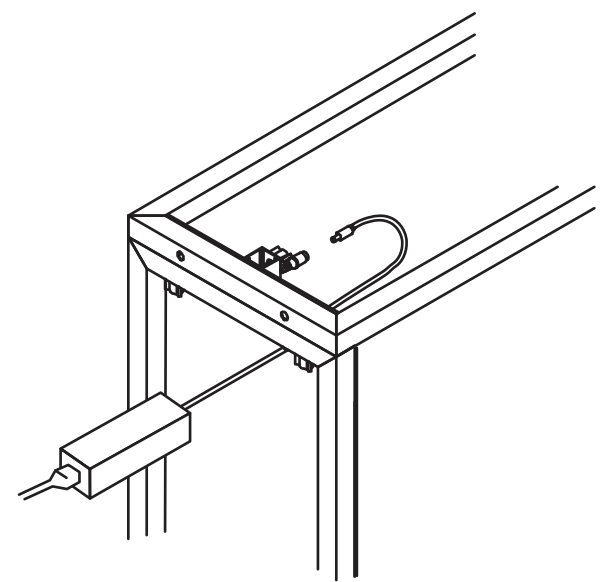


(ASSEMBLE ON FLOOR)



DETAIL C

TO POWER DAISY CHAIN LIGHTS
WITH POWER CORD COLORED
RED & BLACK

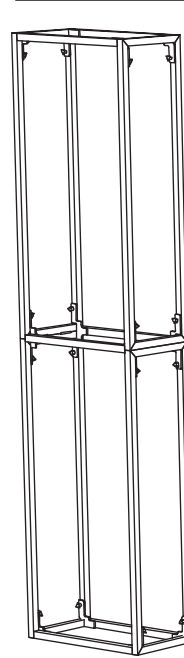


2.5 A POWER SUPPLY
ATTACHES AT BOTTOM
OF FRAME



STANDARD FRAME
(SEE APPENDIX D)

THIS PART USED TO MAKE
MQ-F14
1x4 STANDARD FRAME

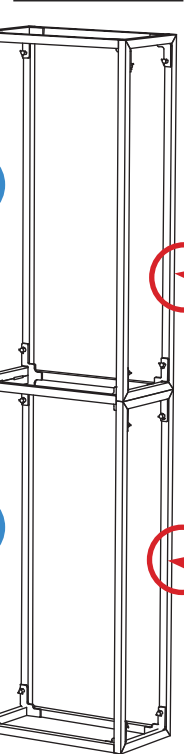


ExpoLight

ExpoLight

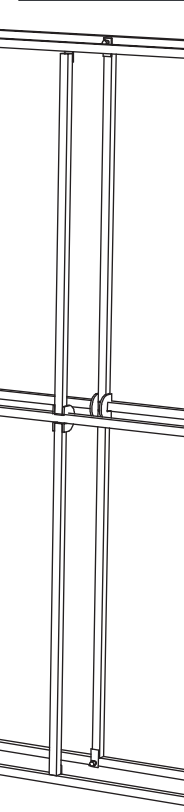
STANDARD FRAME
(SEE APPENDIX D)

THIS PART USED TO MAKE
MQ-F14
1x4 STANDARD FRAME



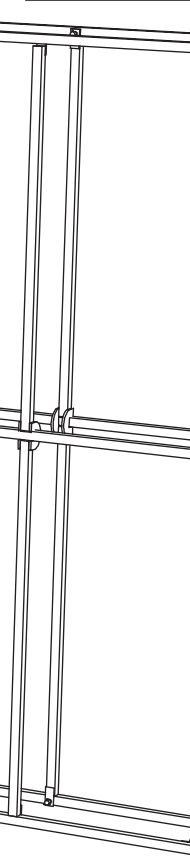
STANDARD FRAME
(SEE APPENDIX B)

THIS PART USED TO MAKE
MQ-F24
2x4 STANDARD FRAME



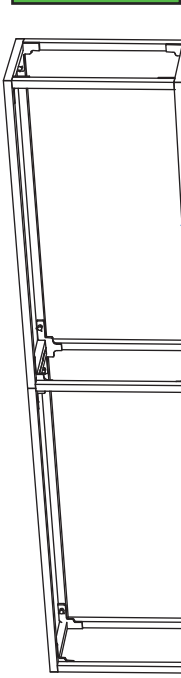
STANDARD FRAME
(SEE APPENDIX B)

THIS PART USED TO MAKE
MQ-F24
2x4 STANDARD FRAME



STANDARD FRAME
(SEE APPENDIX D)

THIS PART USED TO MAKE
MQ-F14
1x4 STANDARD FRAME



ExpoLight

ExpoLight

STANDARD FRAME
(SEE APPENDIX D)

THIS PART USED TO MAKE
MQ-F14
1x4 STANDARD FRAME



* JOIN LISTED FRAMES
USING **RED THUMBSCREWS**
IN THREADED HOLES
(SEE APPENDIX A)

* JOIN LISTED FRAMES USING
MAGNETIC 46" STABILIZER BARS
AS SHOWN
(SEE APPENDIX A)



Expo EX PO Displays
A Division of Diamond Displays International

3401 Mary Taylor Road
Birmingham, Alabama 35235
(205) 439-8200

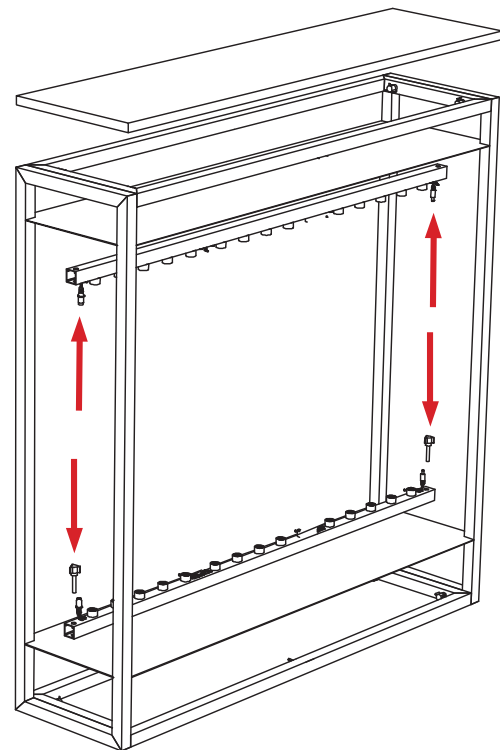
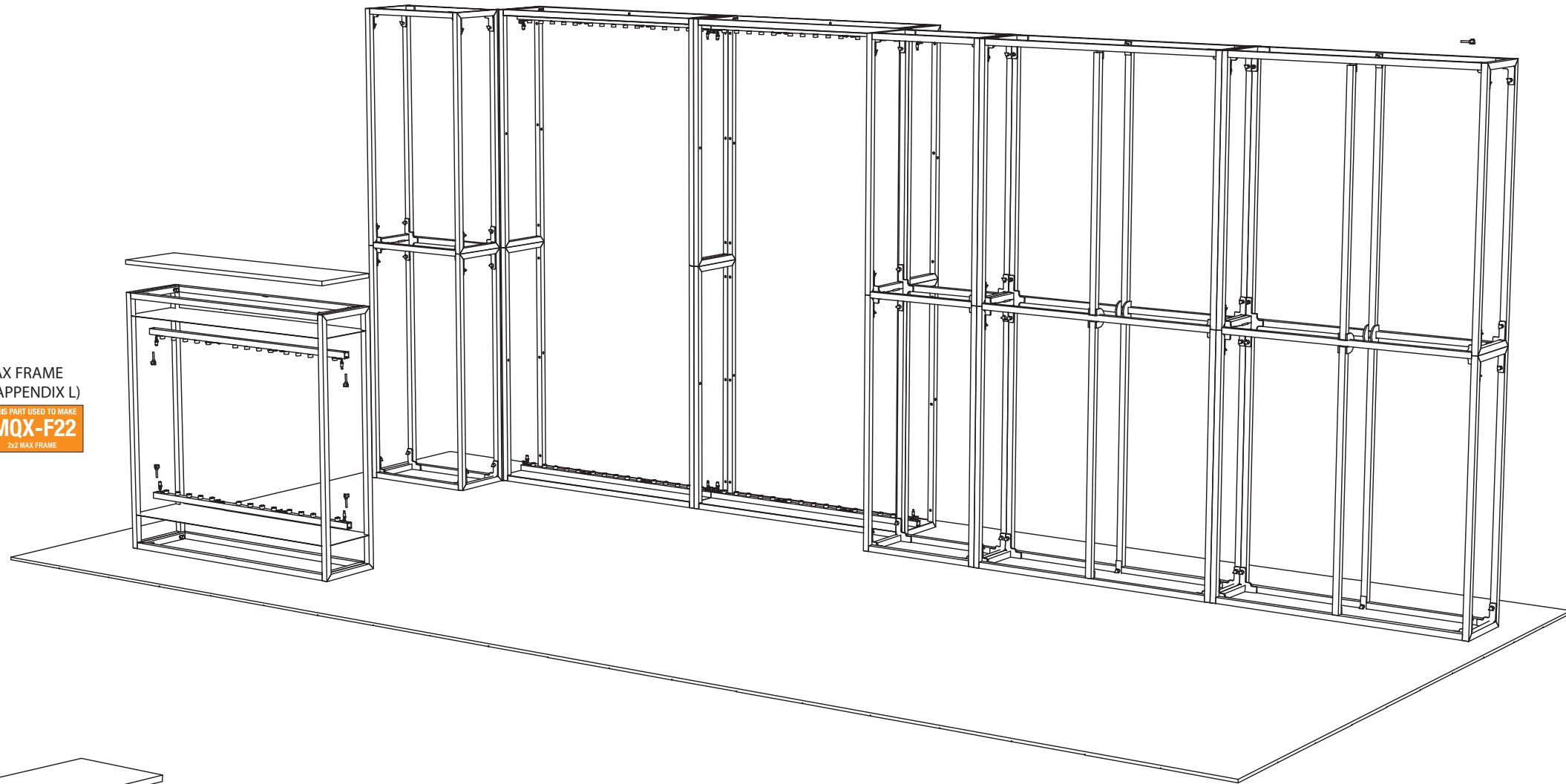
Project Title

10x20 MULTIQUAD®

Sheet Title

**ASSEMBLY
INSTRUCTIONS
FRAME ASSEMBLY**

MAX FRAME
(SEE APPENDIX L)



* ADD LISTED FRAME TO FLOORSPACE;
INSTALL EXPOLIGHT BLOCKER AND LIGHT BAR WITH
RED THUMBSCREWS AS SHOWN

* PLACE COUNTERTOP ON FRAME



Expo EXPO Displays[®]
A Division of Diamond Displays International

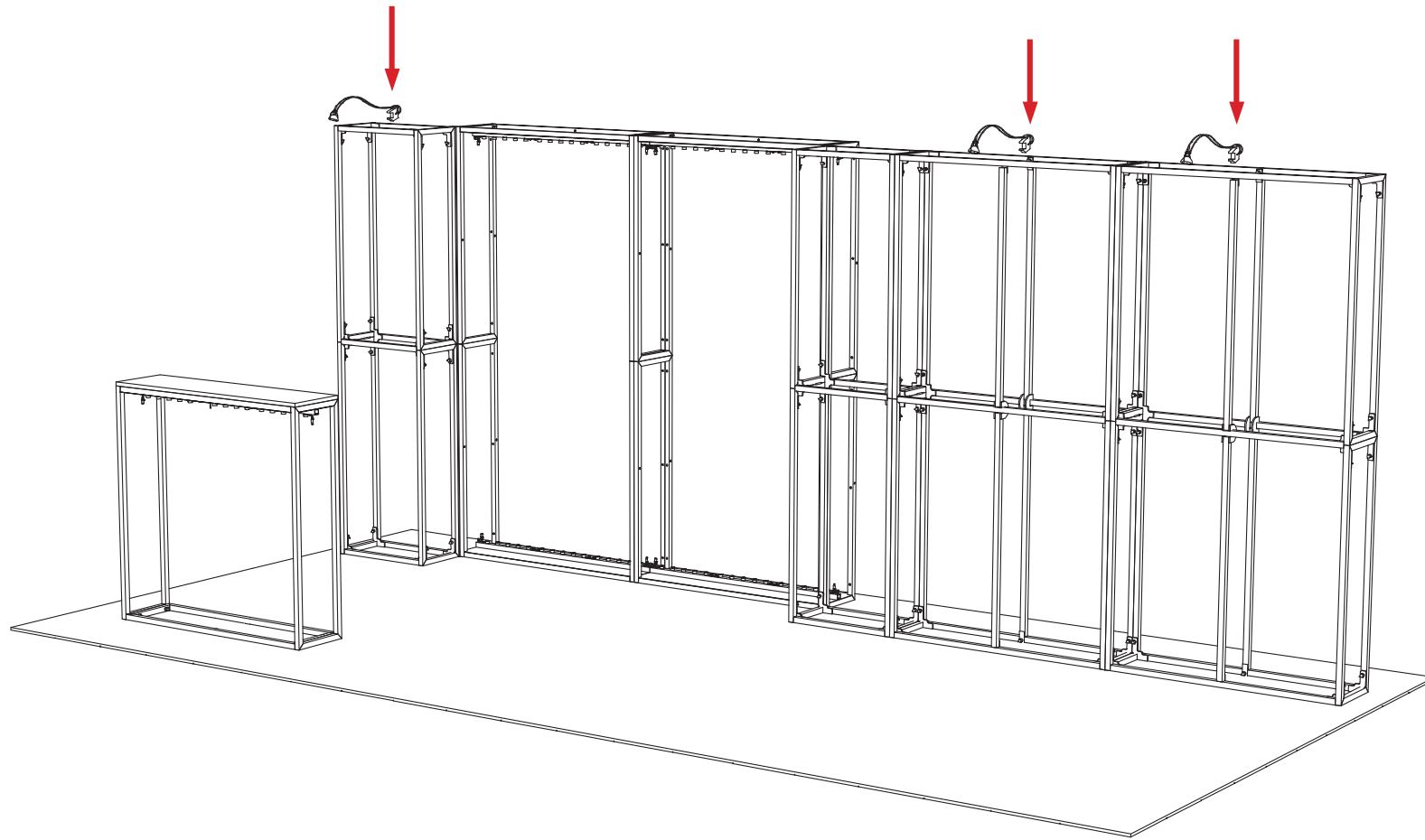
3401 Mary Taylor Road
Birmingham, Alabama 35235
(205) 439-8200

Project Title

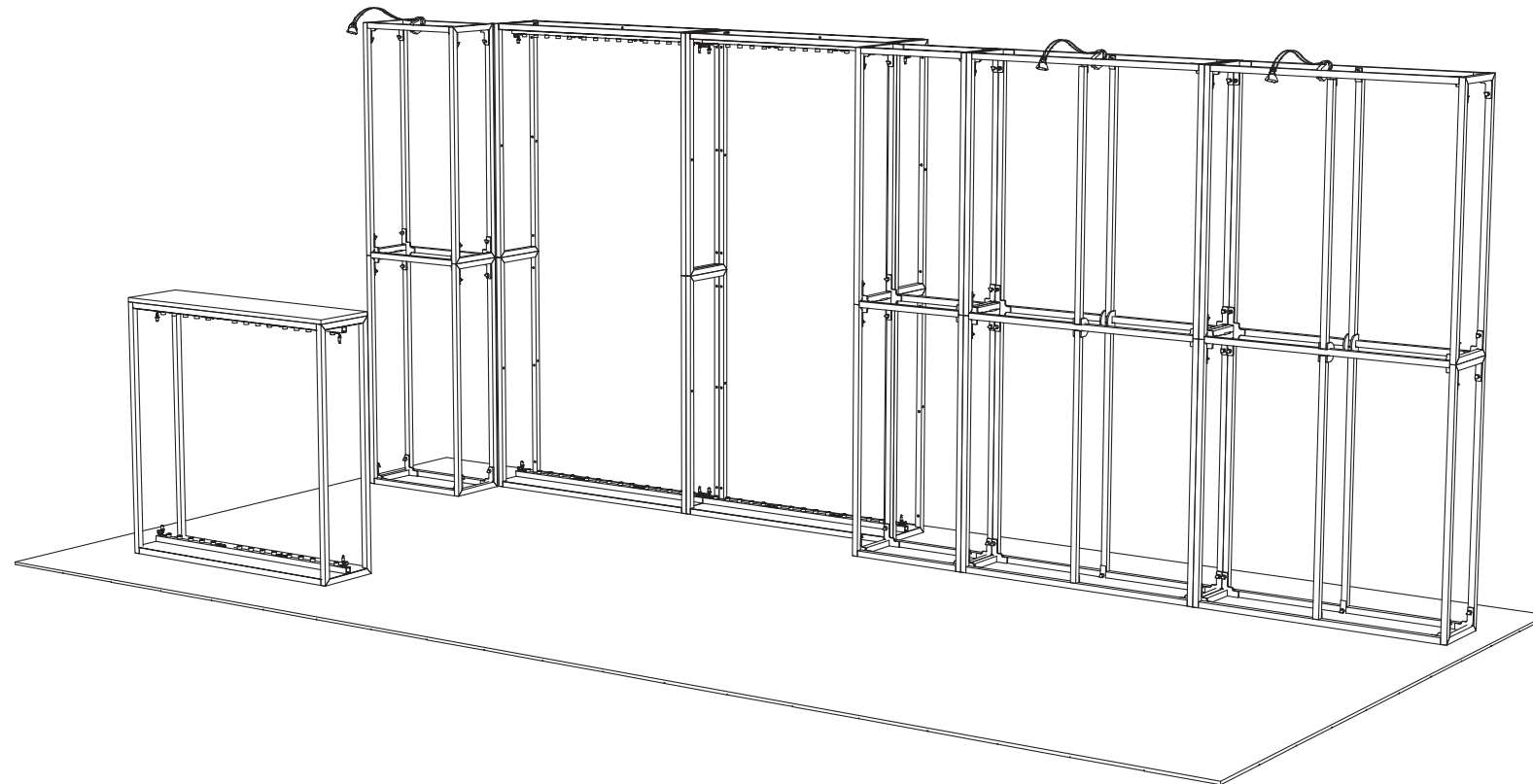
10x20 MULTIQAD [®]

Sheet Title

**ASSEMBLY
INSTRUCTIONS
PODIUM ASSEMBLY**



* ADD STEMLIGHTS IN AREAS SHOWN OR WHERE DESIRED (SEE APPENDIX P-2)



* USE GRAPHIC LAYOUT ON NEXT PAGE TO APPLY QUADS TO FRAMES



Expo EX PO Displays
A Division of Diamond Displays International

3401 Mary Taylor Road
Birmingham, Alabama 35235
(205) 439-8200

Project Title

10x20 MULTIQUAD®

Sheet Title

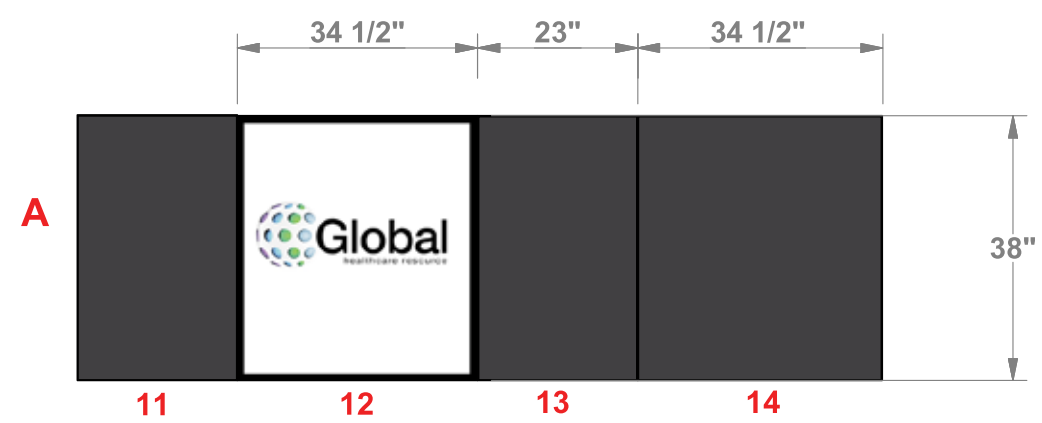
ASSEMBLY INSTRUCTIONS
DESIRED LAYOUT

FLATTENED ELEVATED VIEW



Expo EXPO Displays
A Division of Diamond Displays International

3401 Mary Taylor Road
Birmingham, Alabama 35235
(205) 439-8200



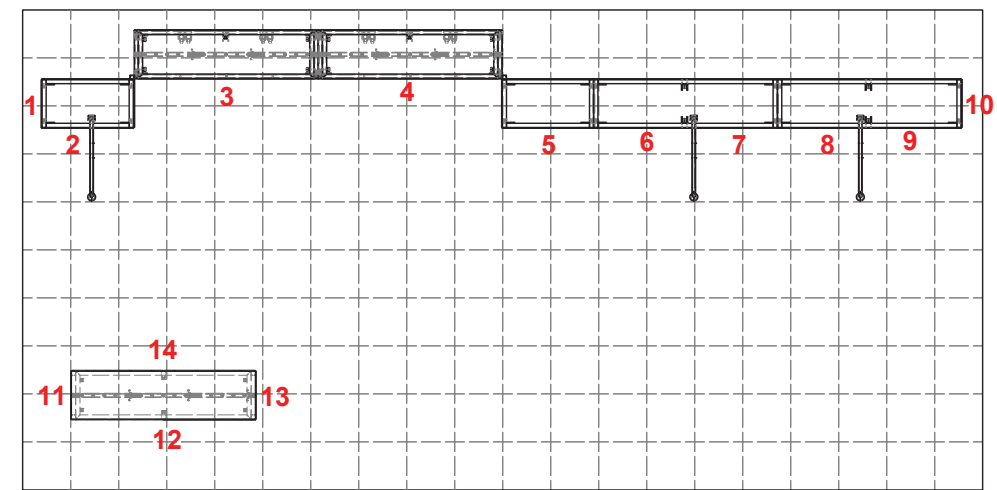
PARTS LIST:

#	SIZE	NAME
1	23 X 92	BACK-LIT GRAPHIC
2	46 X 92	BACK-LIT GRAPHIC
20	23x23	STANDARD QUAD
4	12.125 x23	HALF QUAD
1	34.5 X 38	BACK-LIT GRAPHIC

Project Title

10x20 MULTIQUAD®

Sheet Title

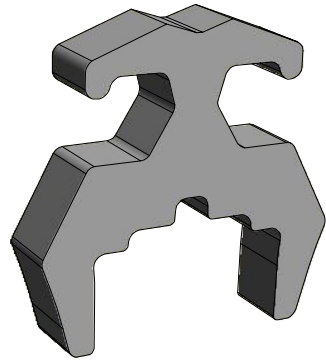


TOP VIEW

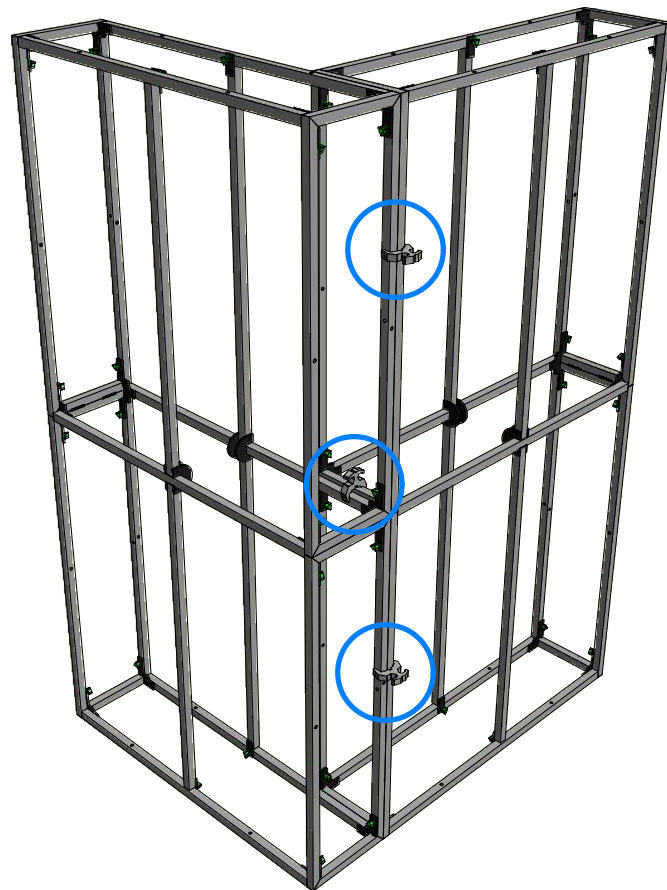
ASSEMBLY INSTRUCTIONS
GRAPHIC LAYOUT

**FRAME CLAMP INSTRUCTION
MQ-CLMP**

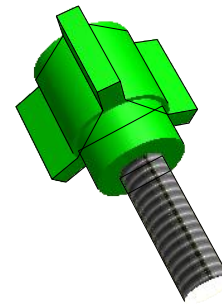
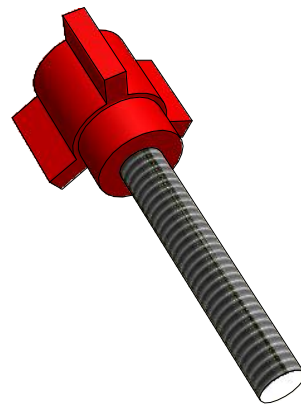
(NOT REQUIRED IN EVERY CONFIGURATION)



THE MQ-CLMP IS A FRICTION-FIT CONNECTOR / ALIGNMENT TOOL THAT DOES NOT REQUIRE TOOLS. THEY ARE TO BE USED IN ABNORMAL MULTIQUAD FRAME CONFIGURATIONS OR AS ADDITIONAL FRAME SECURITY IN SPECIAL SITUATIONS



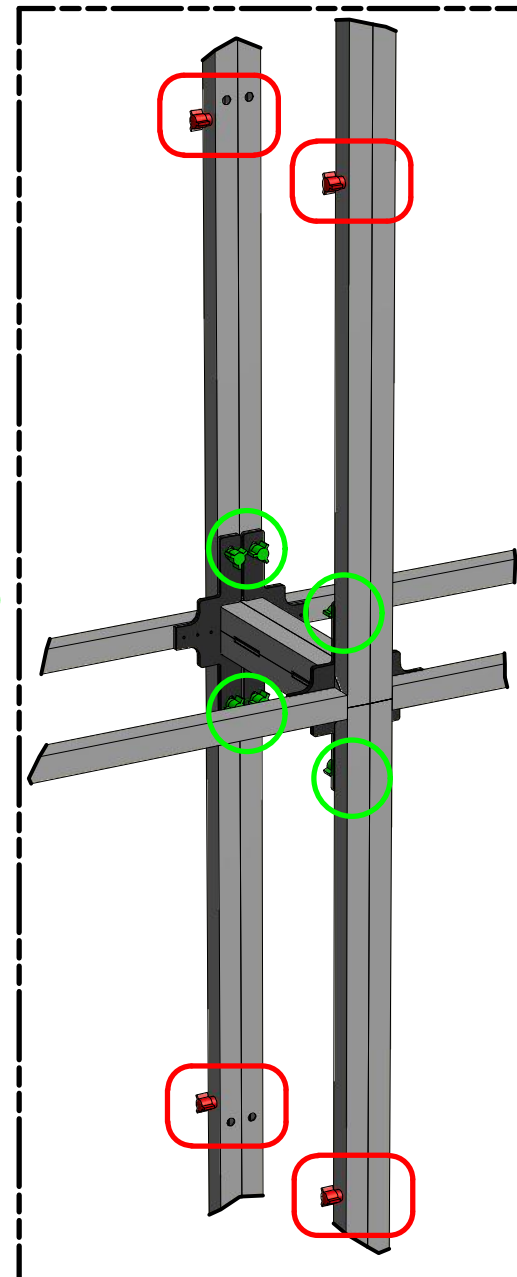
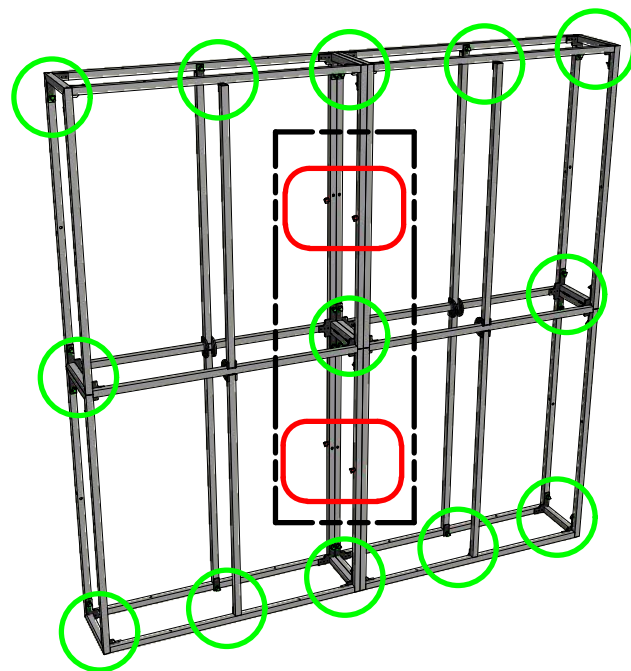
**THUMB SCREW INSTRUCTION
MQ-TSR2 / MQ-TSG1**



THE 2" RED THUMB SCREW IS USED TO CONNECT MULTIQUAD FRAMES TO OTHER MULTIQUAD FRAMES. EACH FRAME HAS RIVET NUT ON ONE SIDE AND A HOLE ON THE OTHER TO ALLOW FRAME TO FRAME CONNECTION

THE 1" GREEN THUMB SCREWS ARE USED WHEN ASSEMBLING 1x4 AND 2x4 FRAMES. SEE APPENDIX PAGES

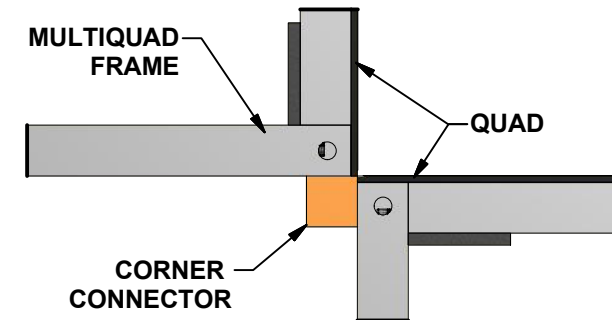
DUE TO THE RIVET NUTS, ALL FRAMES HAVE A LEFT AND RIGHT SIDE. VERIFY FRAME ORIENTATION TO ALLOW FRAME TO FRAME CONNECTION



**CORNER CONNECTOR INSTRUCTION
MQ-BTW**

(NOT REQUIRED IN EVERY CONFIGURATION)

THE MQ-BTW CORNER ALIGNMENT TOOL IS DESIGNED TO AID IN THE ALIGNMENT OF FRAMES AS NEEDED IN SOME MULTIQUAD CONFIGURATIONS.

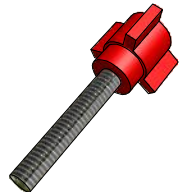
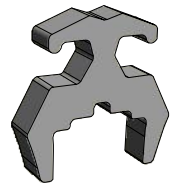
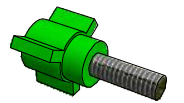


AFTER TWO MULTIQUAD FRAMES ARE SET "CORNER-TO-CORNER" THE MQ-BTW SIMPLY ATTACHES TO THE EXISTING MAGNETS ON THE FRAME



Expo Displays

3401 Mary Taylor Road
Birmingham, Alabama 35235
(205) 439-8200



**ASSEMBLY
INSTRUCTIONS**

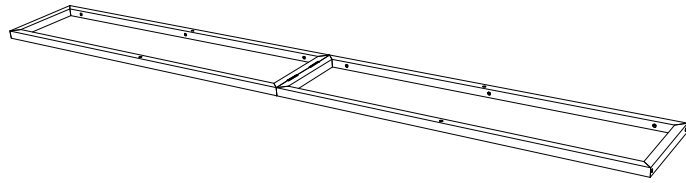
CONNECTORS & ALIGNMENT TOOLS

APPENDIX A

PARTS LIST		
QNTY	LABEL	NAME
1	LVH1	LEFT VERTICAL HINGED
1	RVH1	RIGHT VERTICAL HINGED
2	BH1	BOTTOM HORIZONTAL
2	MH1	MIDDLE HORIZONTAL
2	TH1	TOP HORIZONTAL
2	CVH1	CENTER VERTICAL HINGED
2	GRN	1" GREEN THUMB SCREW
4	RED	2" RED THUMB SCREW

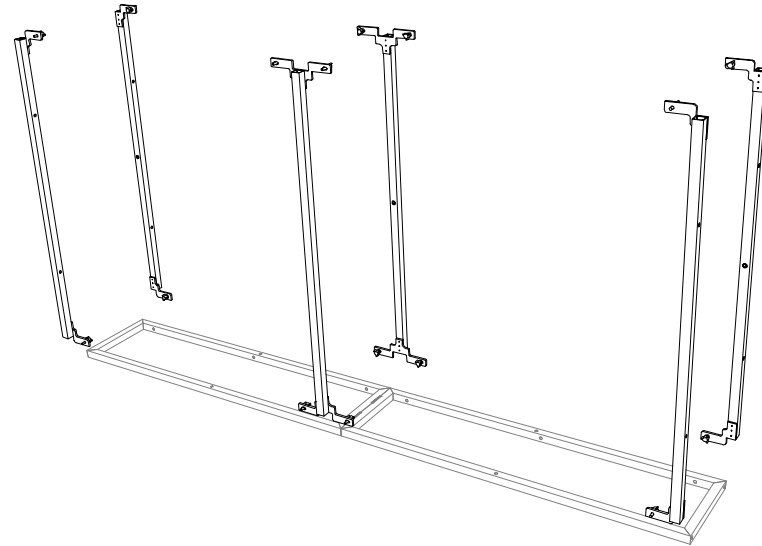
1st Step

START WITH THE LEFT VERTICAL HINGED (LVH1) ON THE GROUND



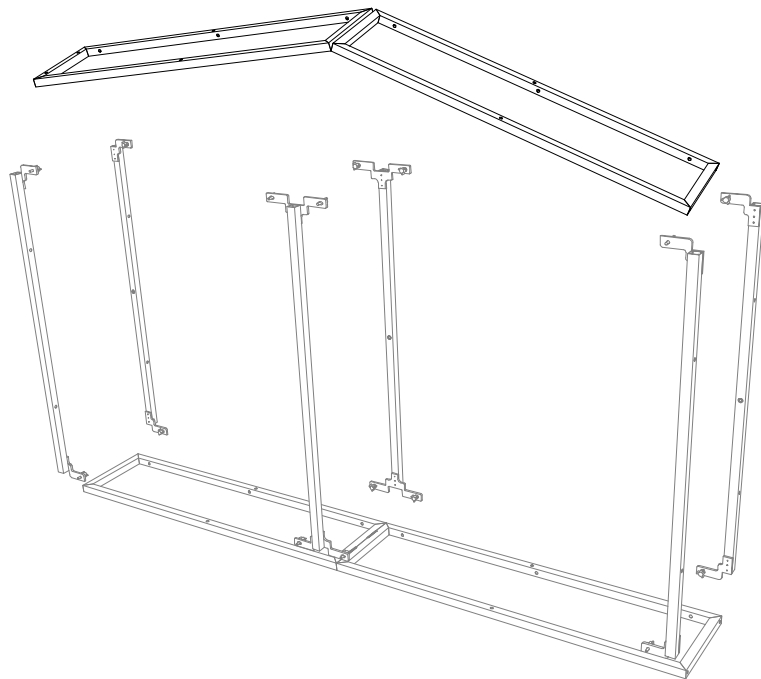
2nd Step

ATTACH THE (2) TOP HORIZONTAL (TH1), THE (2) MIDDLE HORIZONTAL (MH1), AND THE (2) BOTTOM HORIZONTAL (BH1)



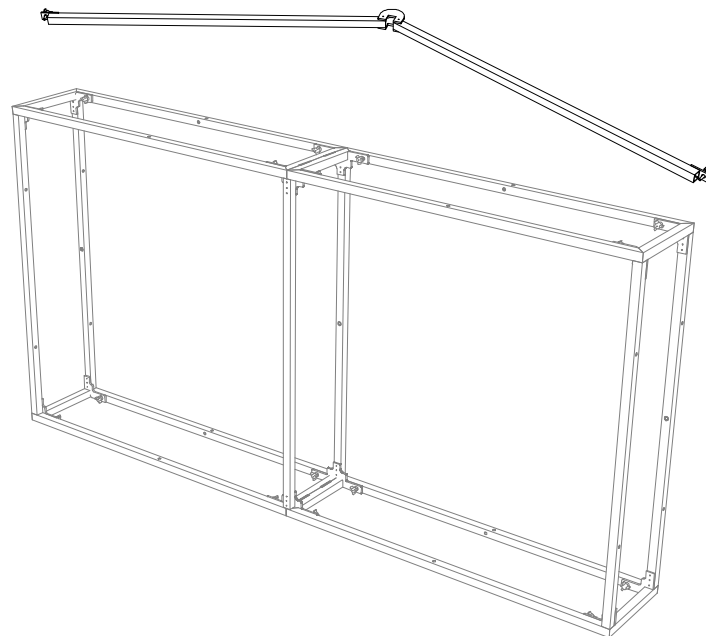
3rd Step

ATTACH THE RIGHT HINGED SIDE (RVH1)

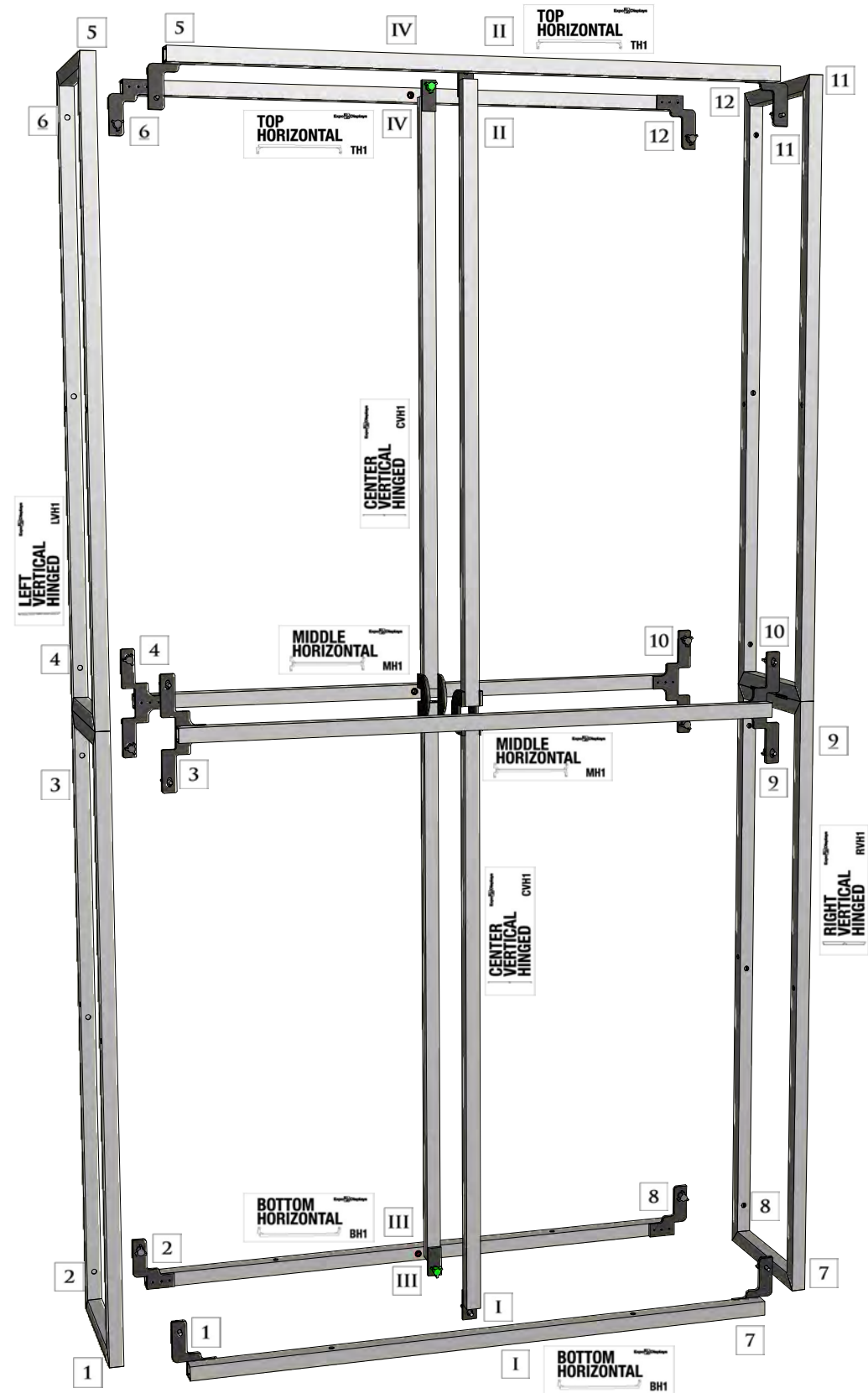


4th Step

ATTACH THE (2) CENTER VERTICAL HINGED (CVH1) AND STAND UP-RIGHT



MATCH NUMBERS TO CONSTRUCT



Expo Displays

3401 Mary Taylor Road
Birmingham, Alabama 35235
(205) 439-8200

THIS PART USED TO MAKE
MQ-F24
2x4 STANDARD FRAME

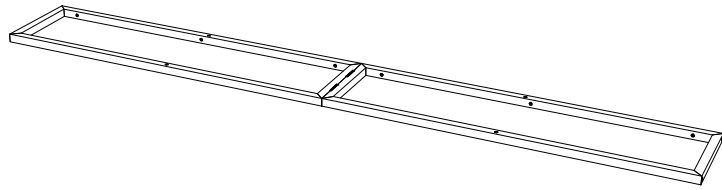
ASSEMBLY
INSTRUCTIONS

2x4 STAN^dAR^d FRAME
MQ-F24

APPENDIX B

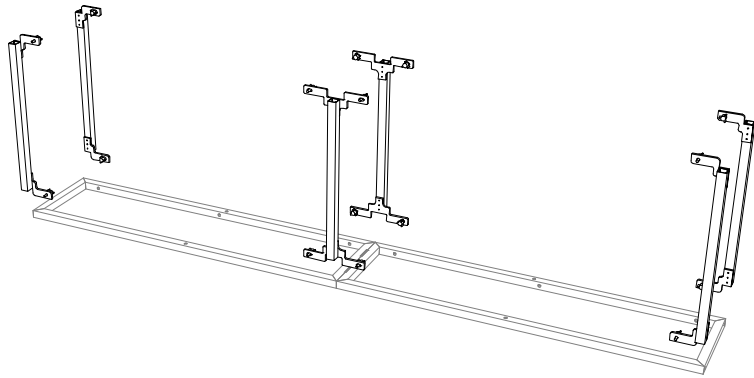
1st Step)

START WITH THE LEFT VERTICAL HINGED (LVH1) ON THE GROUND



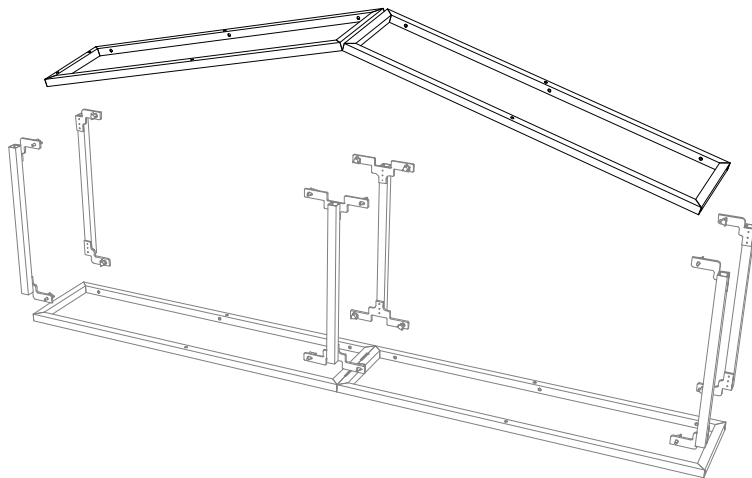
2nd Step)

ATTACH THE (2) TOP HORIZONTAL (TH2), THE (2) MIDDLE HORIZONTAL (MH2), AND THE (2) BOTTOM HORIZONTAL (BH2)



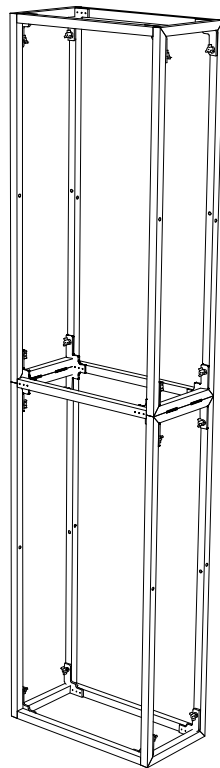
3rd Step)

ATTACH THE RIGHT HINGED SIDE (RVH1)



4th Step)

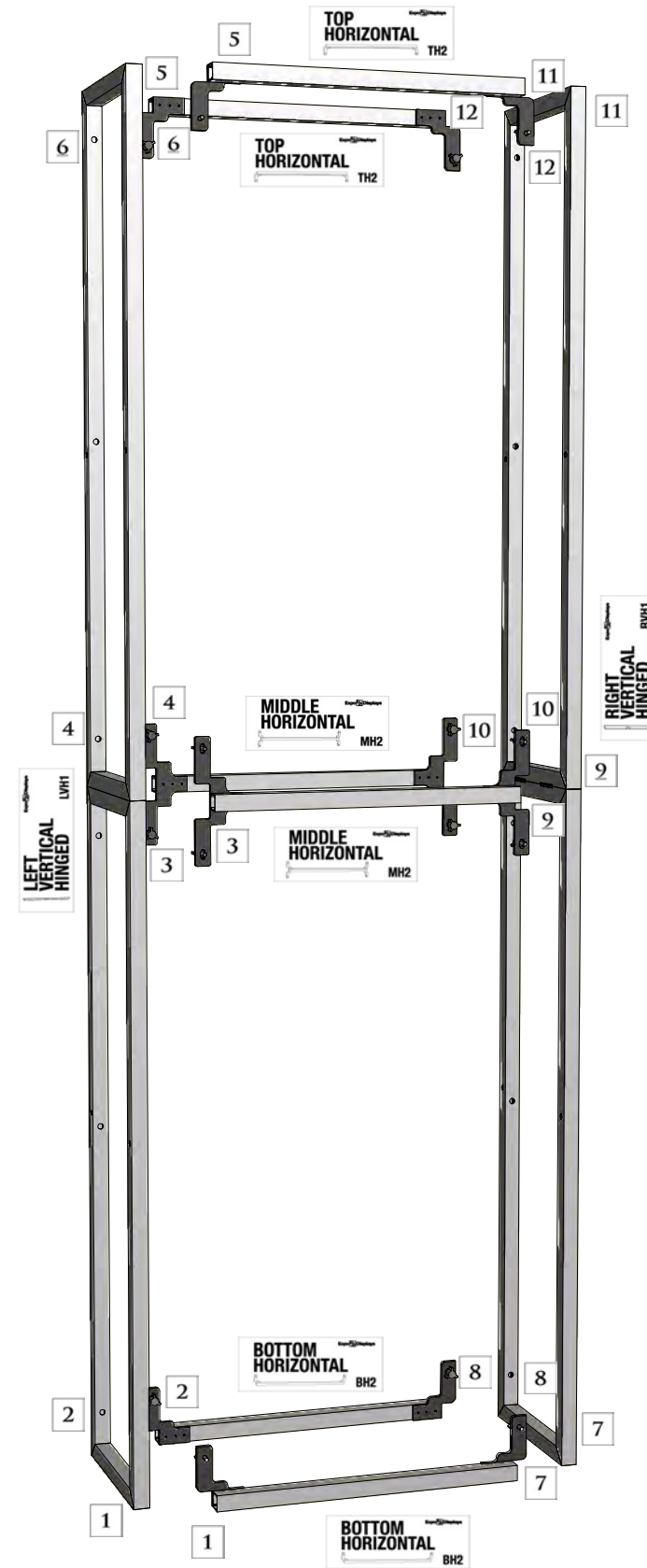
STAND UP-RIGHT



MATCH NUMBERS TO CONSTRUCT



PARTS LIST		
QNTY	LABEL	NAME
1	LVH1	LEFT VERTICAL HINGED
1	RVH1	RIGHT VERTICAL HINGED
2	BH2	BOTTOM HORIZONTAL
2	MH2	MIDDLE HORIZONTAL
2	TH2	TOP HORIZONTAL
1	GRN	1" GREEN THUMB SCREW
4	RED	2" RED THUMB SCREW



Expo Displays

3401 Mary Taylor Road
Birmingham, Alabama 35235
(205) 439-8200

THIS PART USED TO MAKE
MQ-F14
1x4 STANDARD FRAME

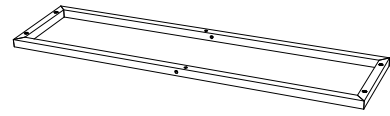
ASSEMBLY INSTRUCTIONS
1x4 STANDARD FRAME
MQ-F14

APPENDIX D

PARTS LIST		
QNTY	LABEL	NAME
1	LVR1	LEFT VERTICAL RECTANGLE
1	RVR1	RIGHT VERTICAL RECTANGLE
1	BHR1	BOTTOM HORIZONTAL RECT.
1	THR1	TOP HORIZONTAL RECT.
2	CVH2	CENTER VERTICAL HALF
2	GRN	1" GREEN THUMB SCREW
4	RED	2" RED THUMB SCREW
1	CT124	MQ-F22C COUNTERTOP

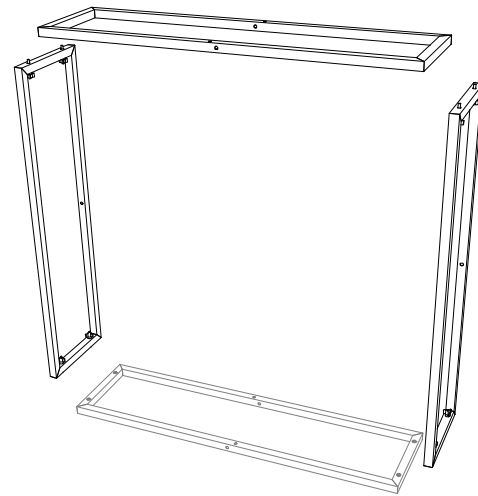
1st Step)

START WITH THE LEFT VERTICAL (LVR1) ON THE GROUND



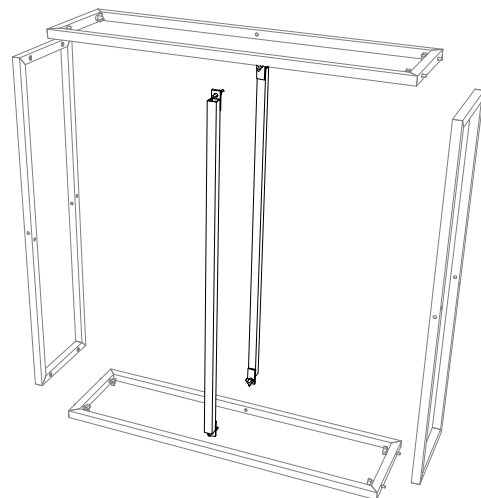
2nd Step)

ATTACH THE TOP HORIZONTAL (THR1), THE BOTTOM HORIZONTAL (BHR1), AND THE RIGHT VERTICAL (RVR1)



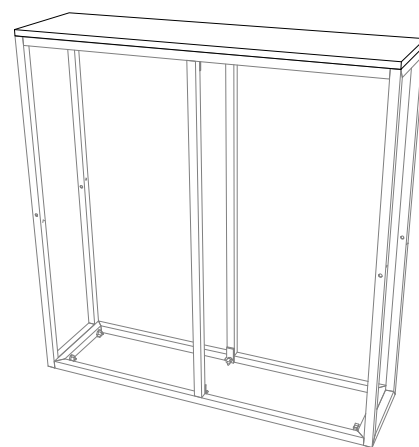
3rd Step)

ATTACH THE (2) CENTER VERTICAL (CVH2)

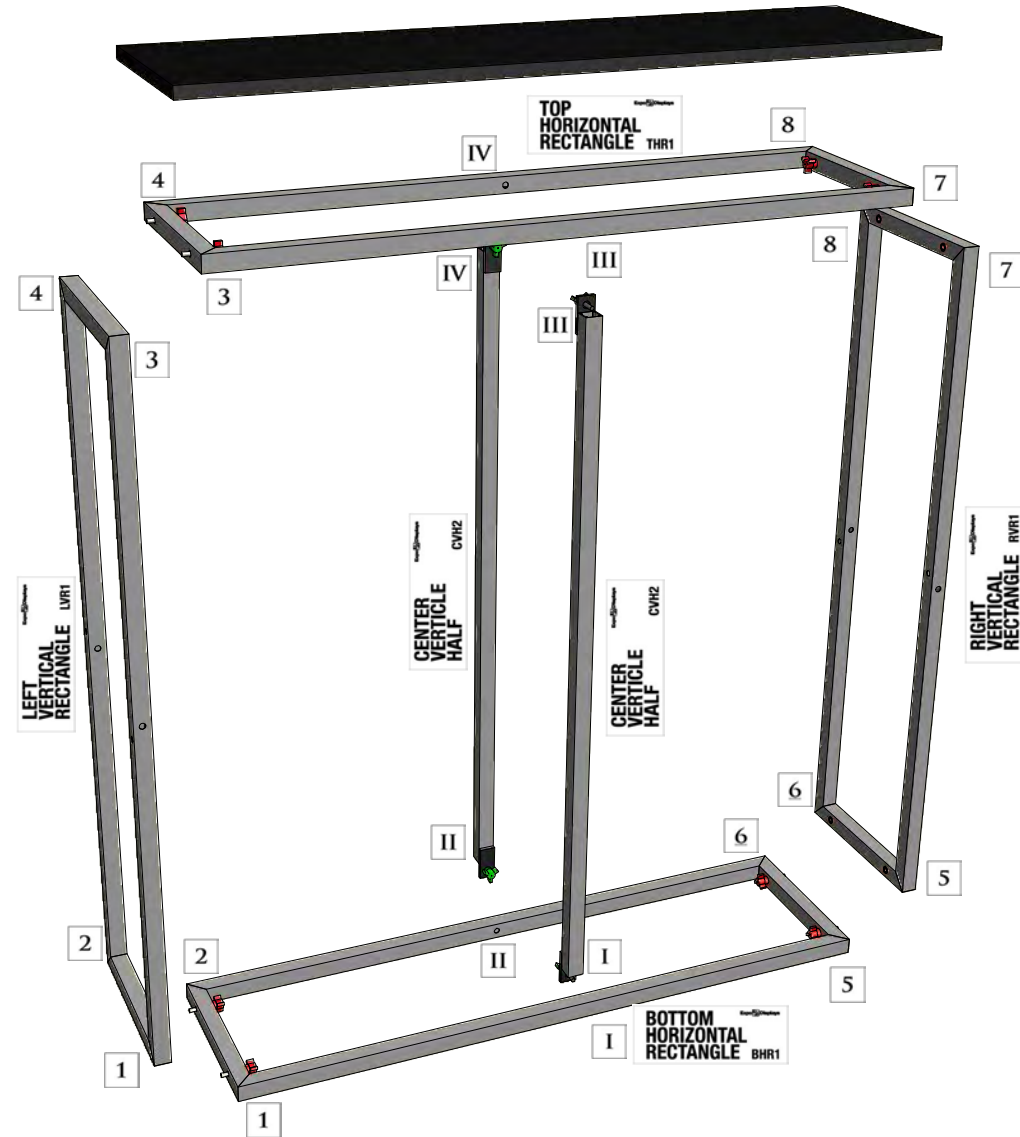


4th Step)

ATTACH THE COUNTERTOP

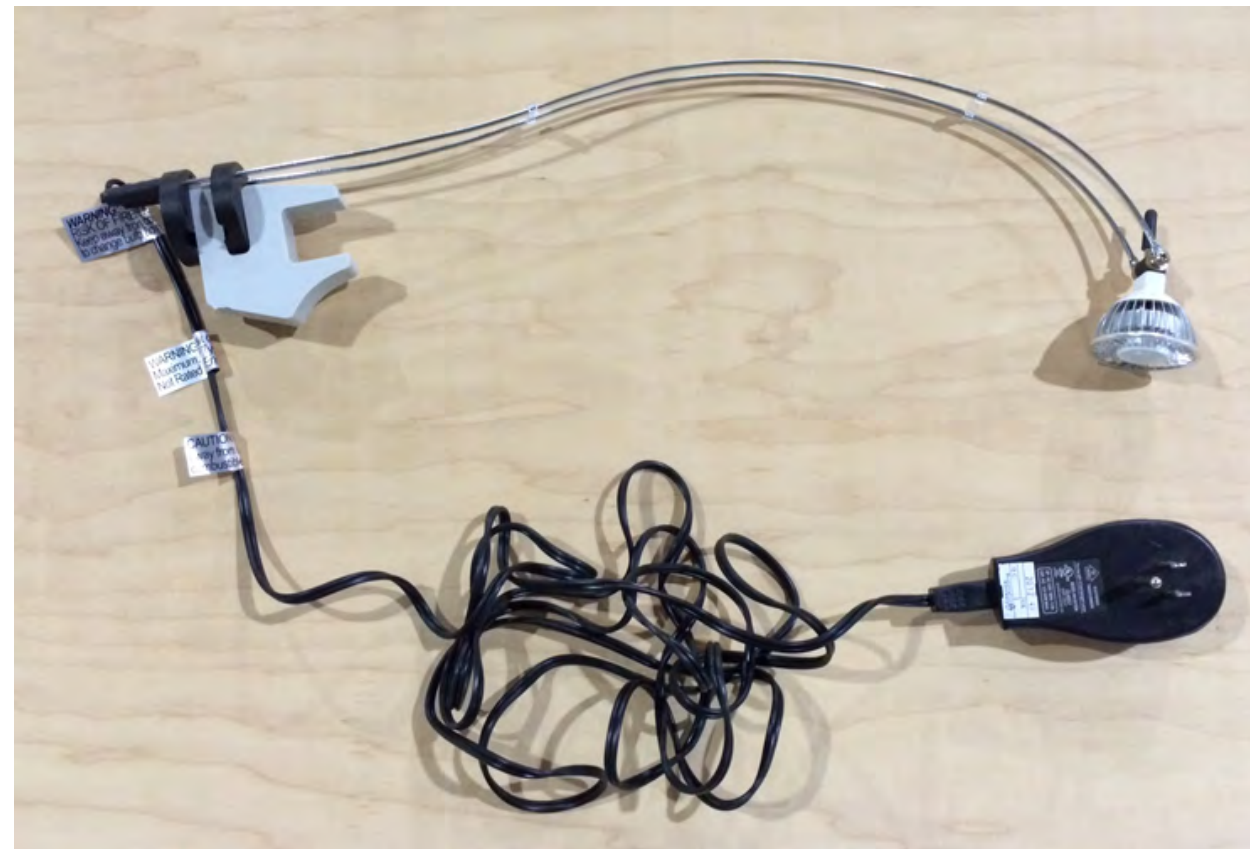


MATCH NUMBERS TO CONSTRUCT



THIS PART USED TO MAKE
MQ-F22C
2x2 STANDARD COUNTER

ASSEMBLY
INSTRUCTIONS
2x2 STANDARD COUNTER
MQ-F22C



WAVE STEM LIGHT (FULLY ASSEMBLED)



WAVE STEM LIGHT (INSTALLED)



WAVE STEM LIGHT (INSTALLED - CLOSE UP)

Sheet Title

**ASSEMBLY
INSTRUCTIONS**
WAVE STEM LIGHT