

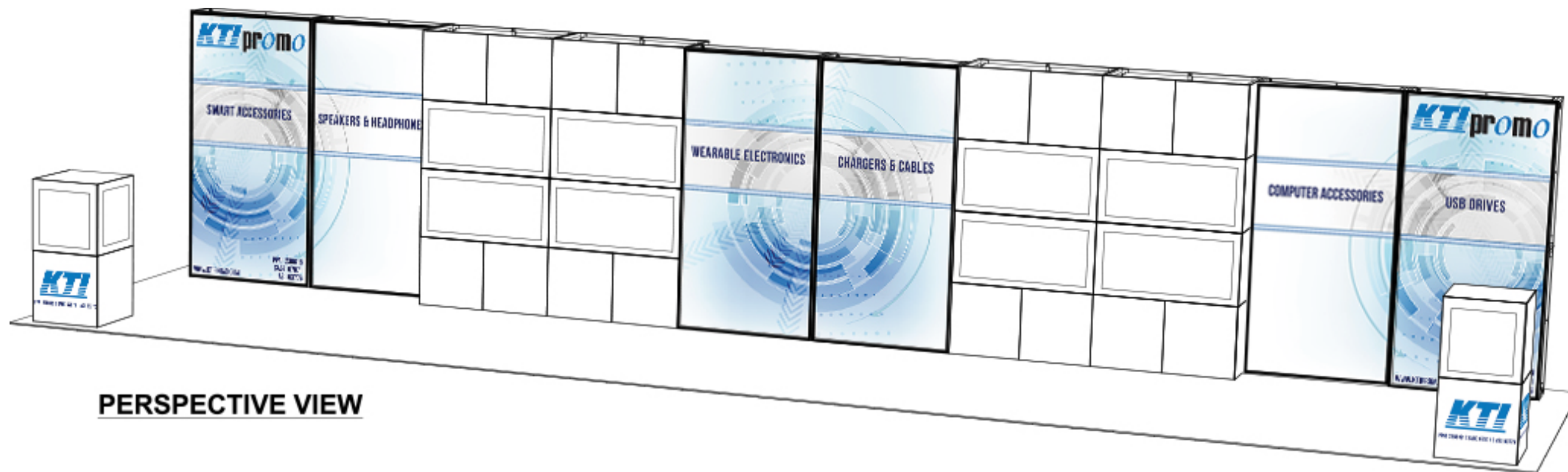
WHEN ASSEMBLING **EX PO MultiQuad**[®]

REMEMBER YOUR **ABC**'s...

ASSEMBLE EACH COMPONENT SEPARATELY

BUILD THE DESIRED LAYOUT

COVER YOUR MULTIQUAD LAYOUT WITH QUADS



PERSPECTIVE VIEW

EX PO MultiQuad[®]
An **ExpoDisplays** Product

10' x 40' Custom
MultiQuad[®]



Expo EX PO Displays[®]
A Division of Diamond Displays International

3401 Mary Taylor Road
Birmingham, Alabama 35235
(205) 439-8200

Job #: 69749

Project Title

10x40 MULTIQUAD[®]

Sheet Title

**ASSEMBLY
INSTRUCTIONS
COVER SHEET**



Project Title

10x40 MULTIQAD®

Sheet Title

**ASSEMBLY INSTRUCTIONS
ELECTRICAL PLAN**

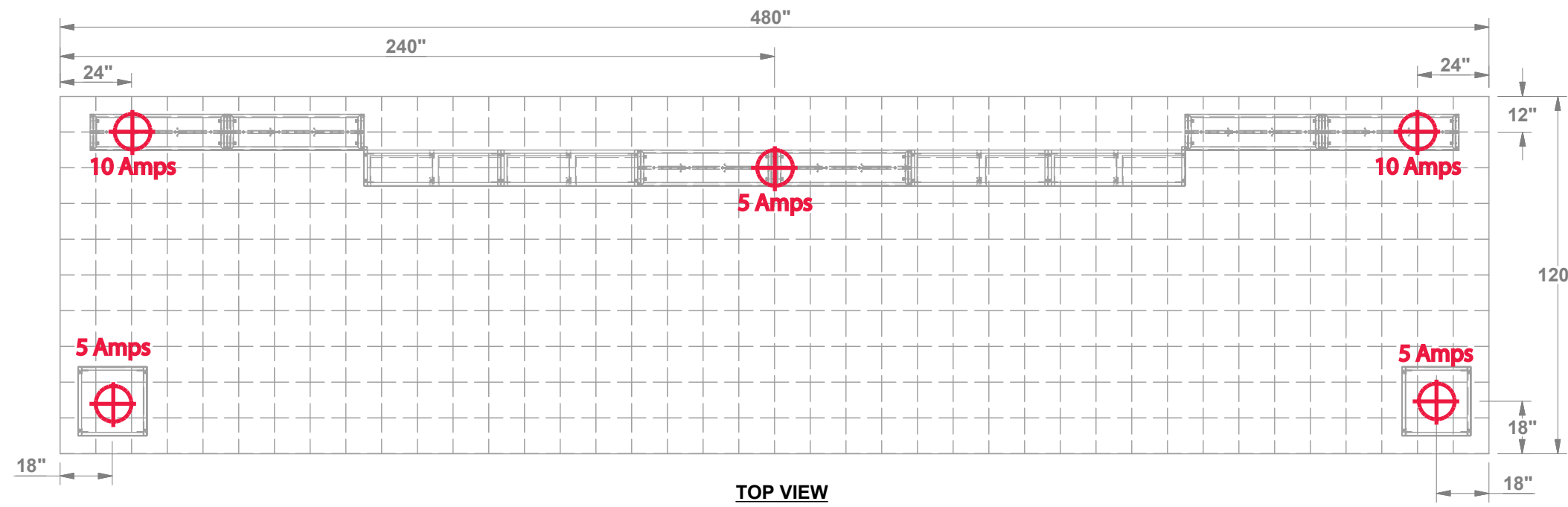
BOOTH # _____

BOOTH # _____

BOOTH # _____

BOOTH # _____

FRONT OF DISPLAY



TOP VIEW

1 Square = 1'- 0"

| | |
|--|------------------------------|
| | MAIN ELECTRICAL DROP |
| | ELECTRICAL OUTLET |
| | POWER CORDS RUN UNDER CARPET |

SHOW: _____

BOOTH: _____

* PAGE 4 - 6

EX PO ExpoLight
An ExpoDisplays Product

EX PO ExpoLight
An ExpoDisplays Product

THIS PART USED TO MAKE
STOP CUSTOM STOP
CUSTOM COMPONENT

* PAGE 7

THIS PART USED TO MAKE
STOP CUSTOM STOP
CUSTOM COMPONENT

EX PO ExpoLight
An ExpoDisplays Product

EX PO ExpoLight
An ExpoDisplays Product

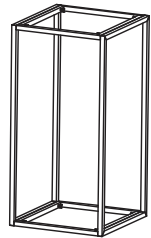
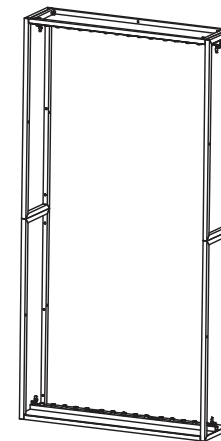
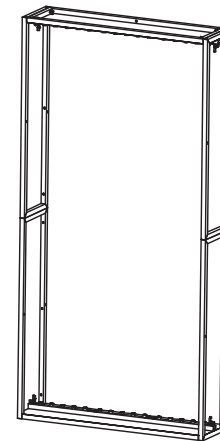
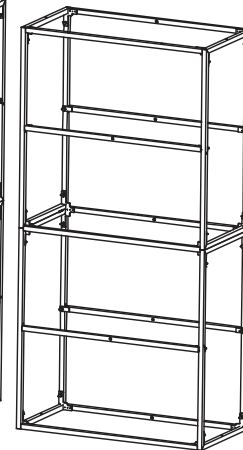
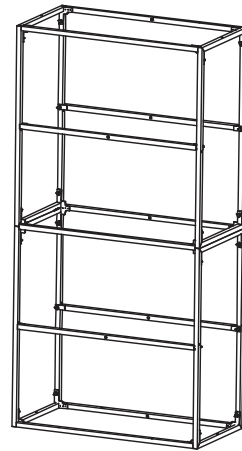
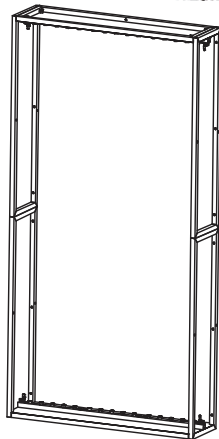
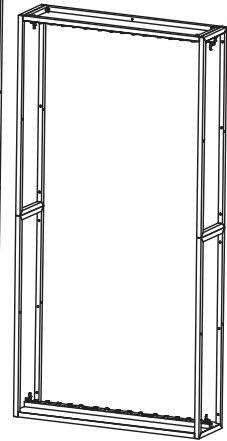
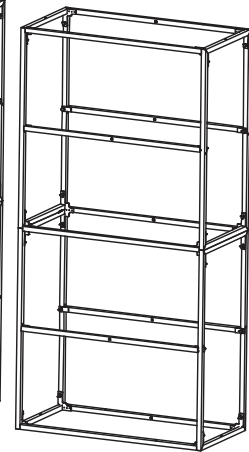
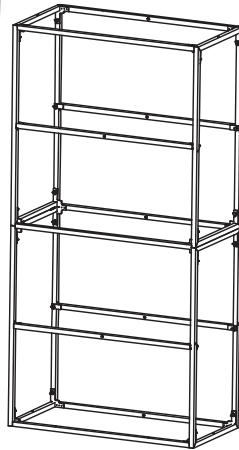
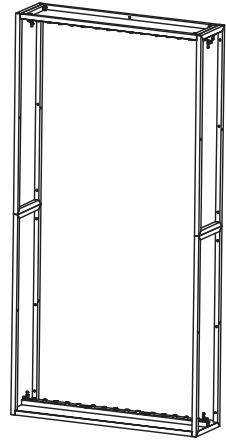
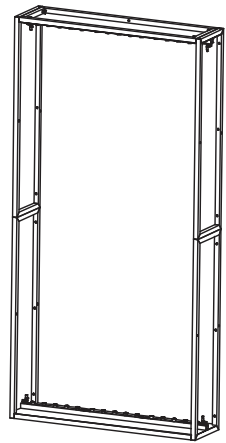
THIS PART USED TO MAKE
STOP CUSTOM STOP
CUSTOM COMPONENT

THIS PART USED TO MAKE
STOP CUSTOM STOP
CUSTOM COMPONENT

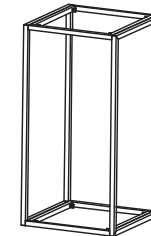
* PAGE 4 - 6

EX PO ExpoLight
An ExpoDisplays Product

EX PO ExpoLight
An ExpoDisplays Product



THIS PART USED TO MAKE
MQX-F12
1x2 MAX FRAME
MAX FRAME
(SEE APPENDIX V)



THIS PART USED TO MAKE
MQX-F12
1x2 MAX FRAME
MAX FRAME
(SEE APPENDIX V)

* ASSEMBLE ALL LISTED FRAMES SEPARATELY
USING PAGES 4-7 AND APPENDIX V



Expo EX PO Displays
A Division of Diamond Displays International

3401 Mary Taylor Road
Birmingham, Alabama 35235
(205) 439-8200

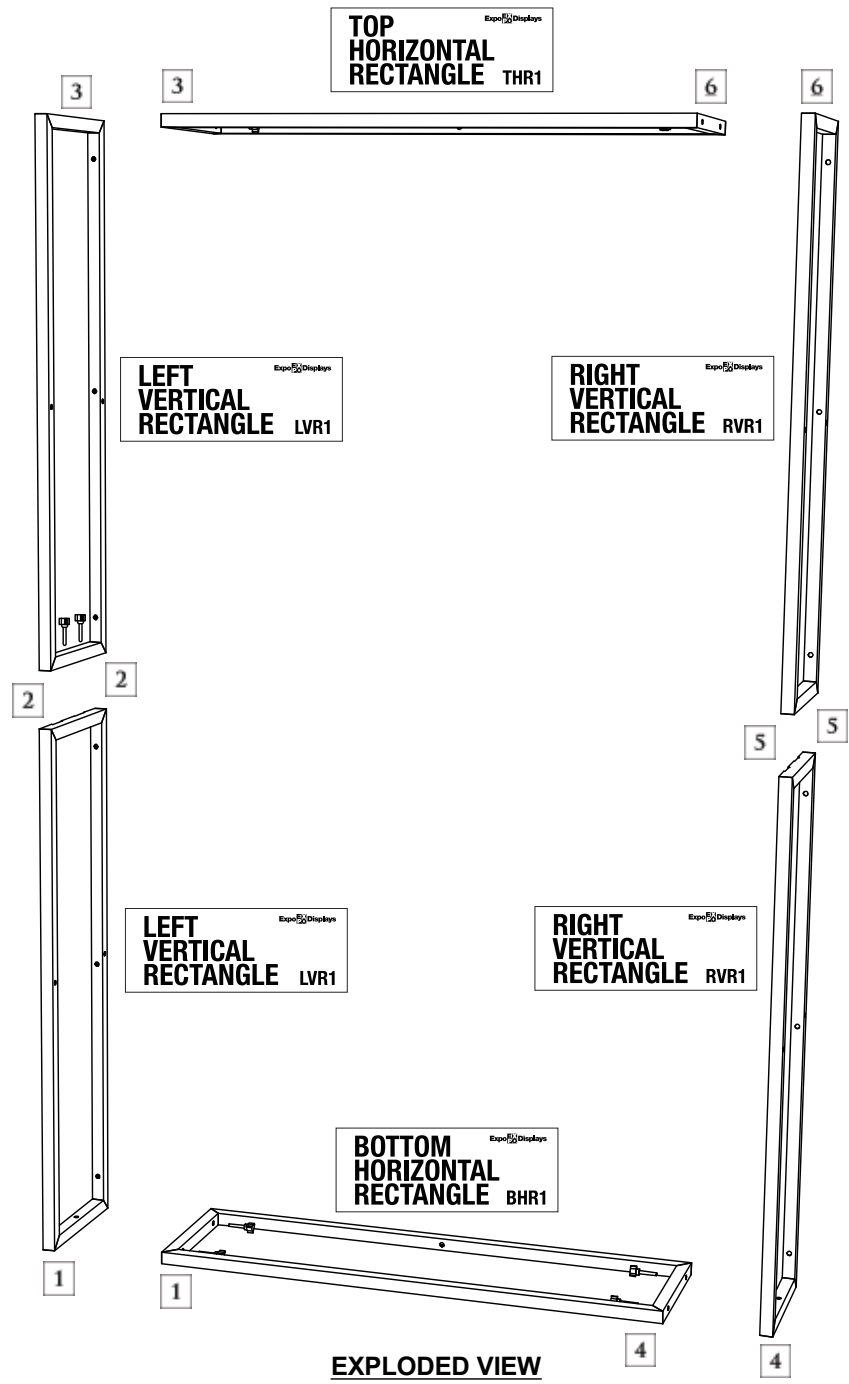
Job #: 69749

Project Title

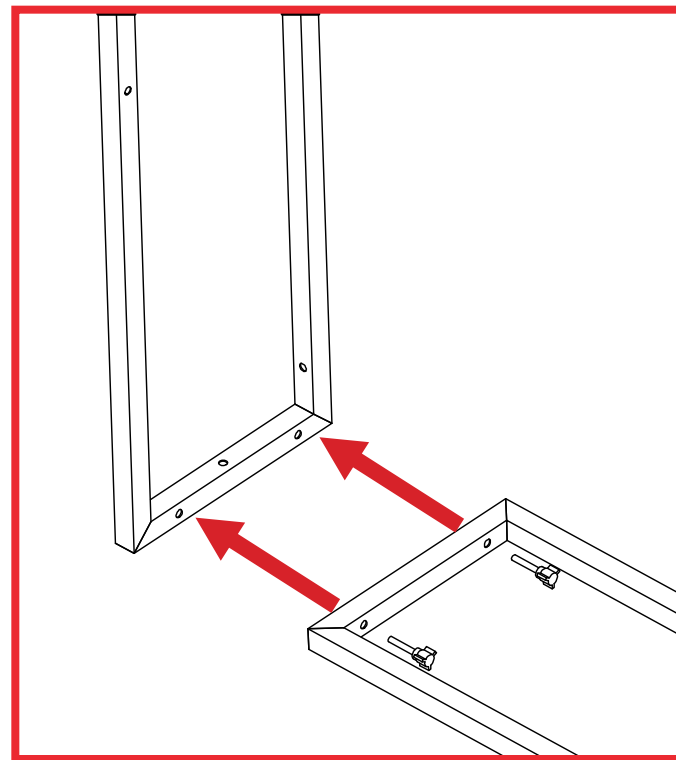
10x40 MULTIQAD®

Sheet Title

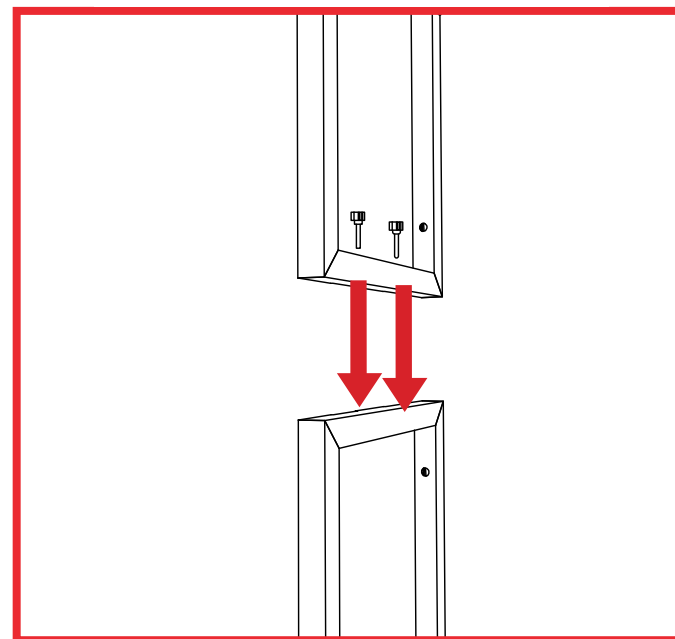
**ASSEMBLY
INSTRUCTIONS
EXPLODED LAYOUT**



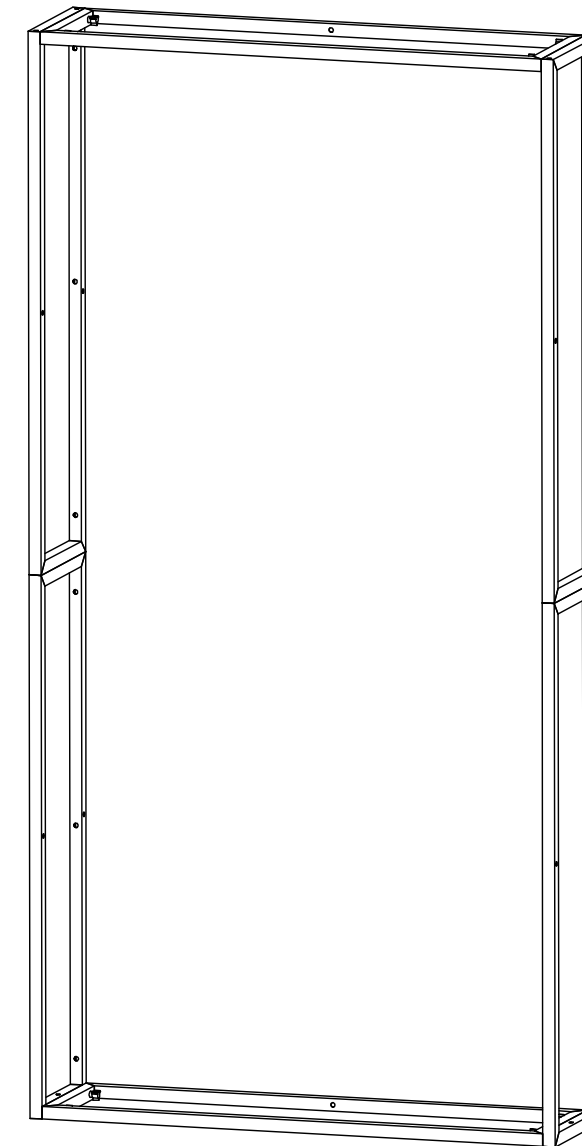
MATCH EACH
NUMBER TO ITS MATE
(ASSEMBLE ON FLOOR)



CORNER JOINTS 1, 3, 4, 6
(JOINED WITH RED THUMBSCREWS)



MIDDLE JOINTS 2 AND 5
(JOINED WITH RED THUMBSCREWS)



ASSEMBLED VIEW



Expo EXPO Displays
A Division of Diamond Displays International

3401 Mary Taylor Road
Birmingham, Alabama 35235
(205) 439-8200

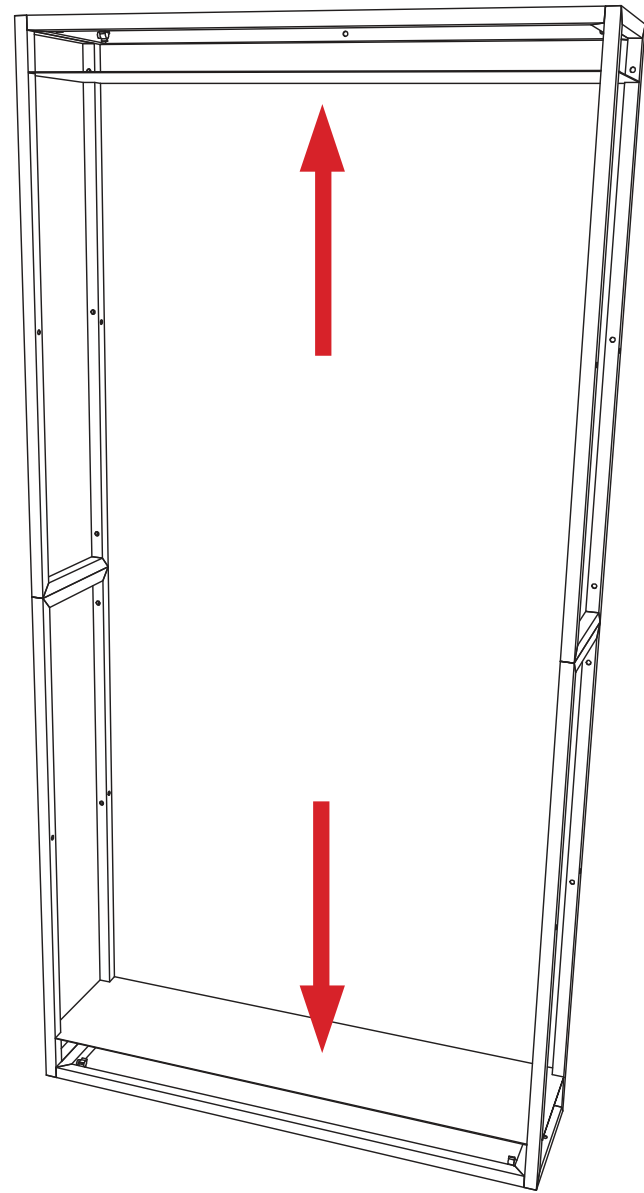
Job #: 69749

Project Title

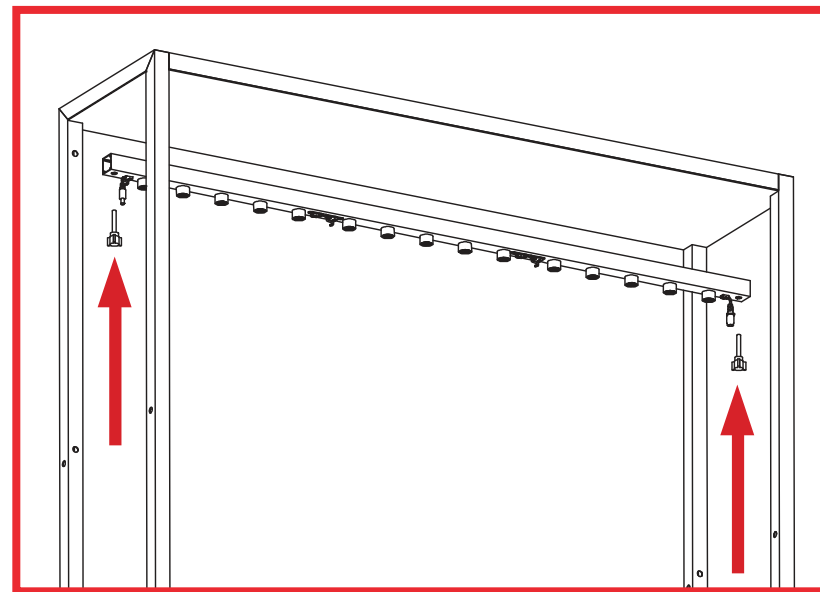
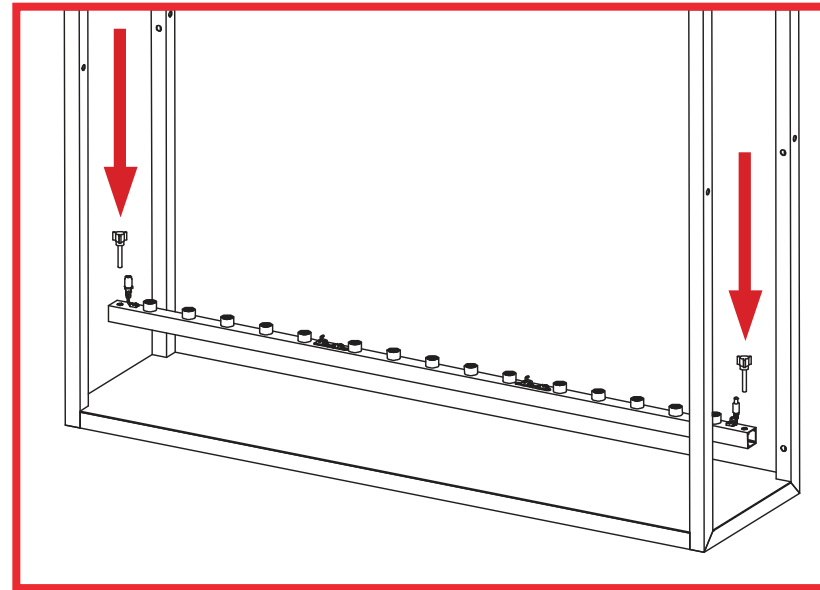
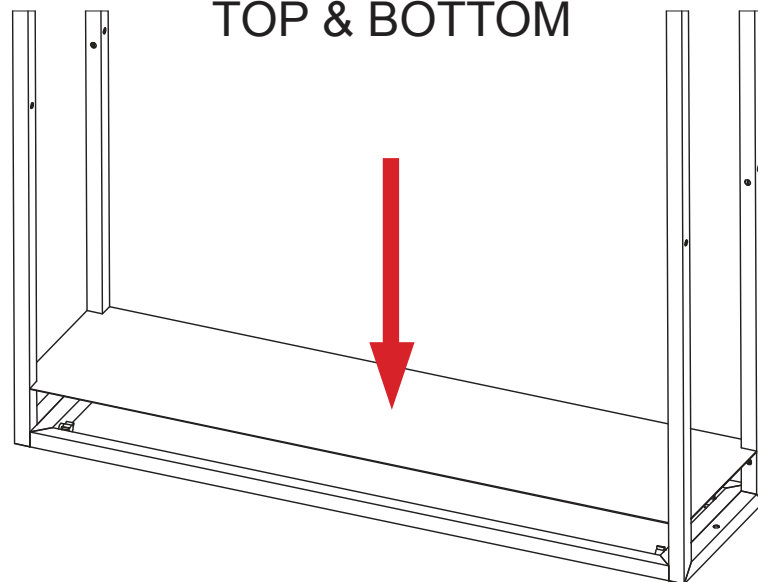
10x40 MULTIQUEAD®

Sheet Title

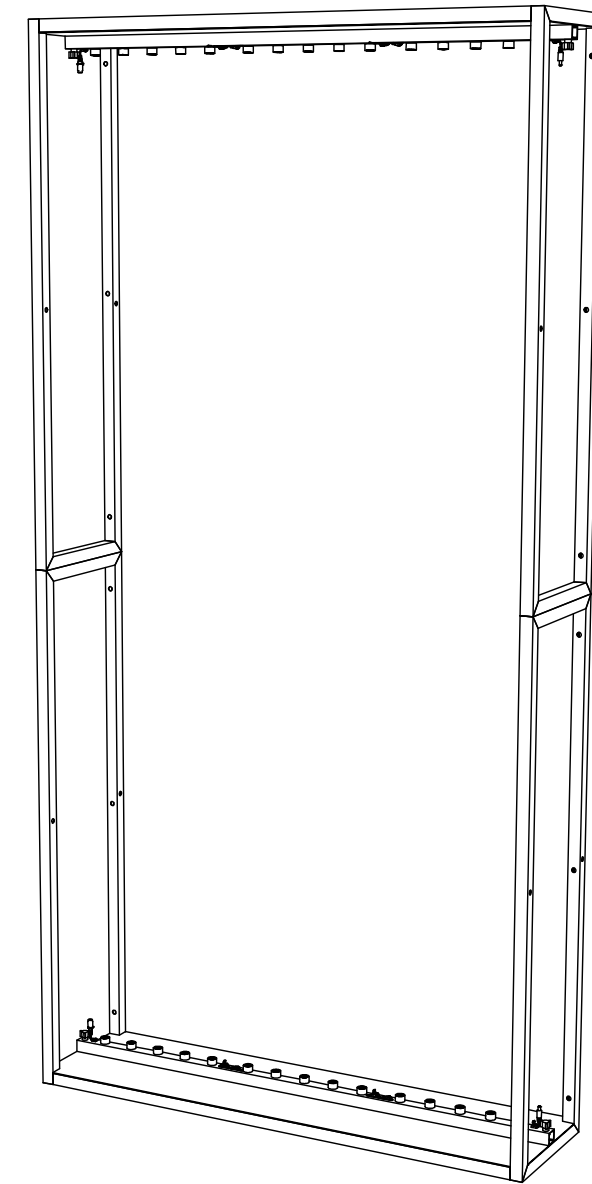
**ASSEMBLY
INSTRUCTIONS**
**EXPOLIGHT®
ASSEMBLY**



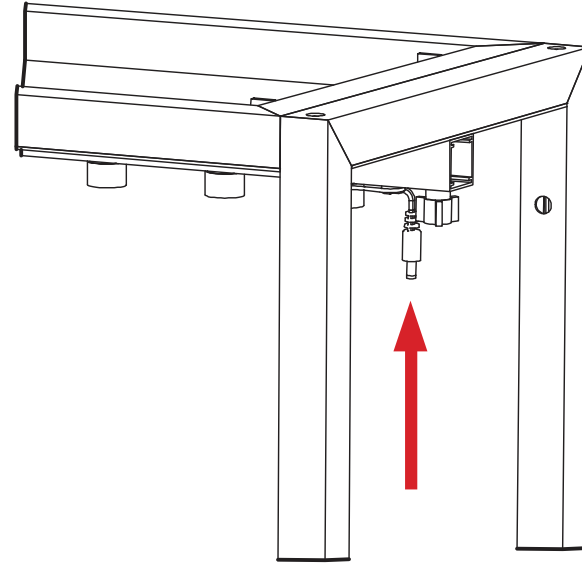
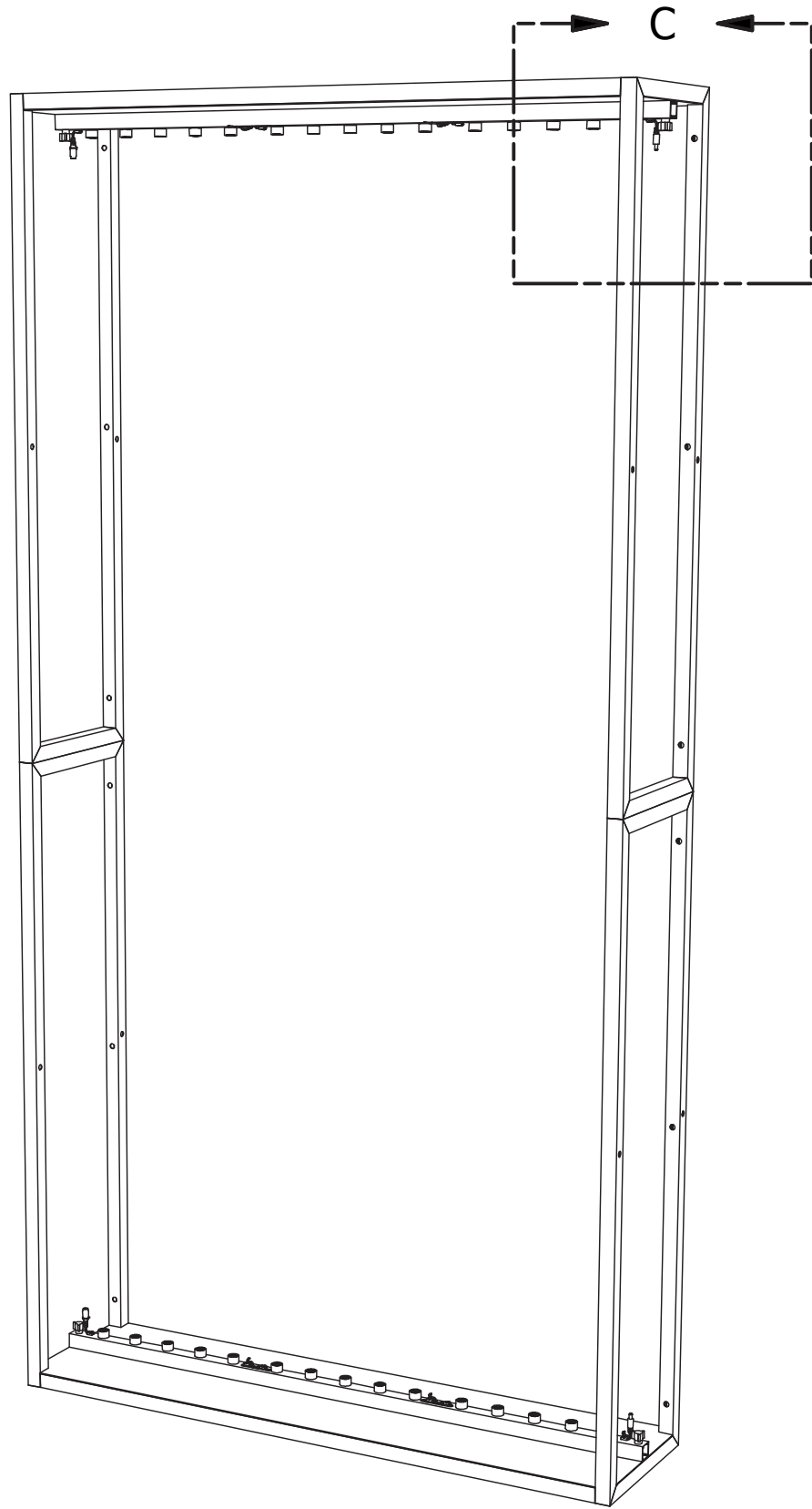
PLACE WHITE ABS ON
TOP & BOTTOM



SECURE LIGHT BARS & ABS
TO TOP & BOTTOM OF FRAME
WITH RED THUMBSCREWS

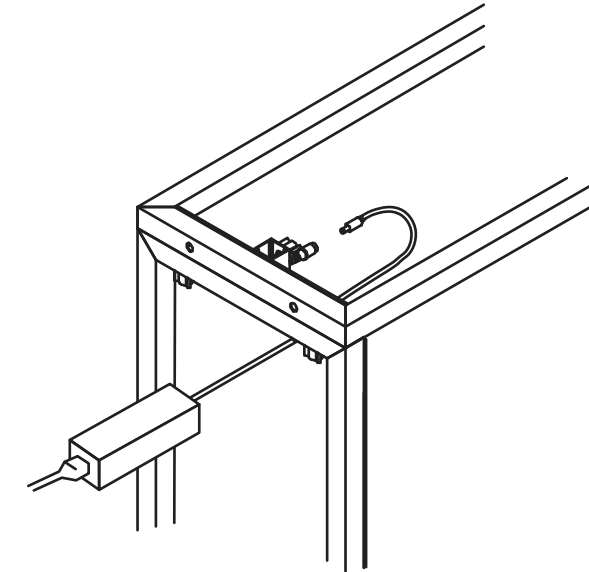


(ASSEMBLE ON FLOOR)



DETAIL C

TO POWER DAISY CHAIN LIGHTS
WITH POWER CORD COLORED
RED & BLACK



2.5 A POWER SUPPLY
ATTACHES AT BOTTOM
OF FRAME



Expo EXPO Displays
A Division of Diamond Displays International

3401 Mary Taylor Road
Birmingham, Alabama 35235
(205) 439-8200

Job #: 69749

Project Title

10x40 MULTIQAD®

Sheet Title

**ASSEMBLY
INSTRUCTIONS**

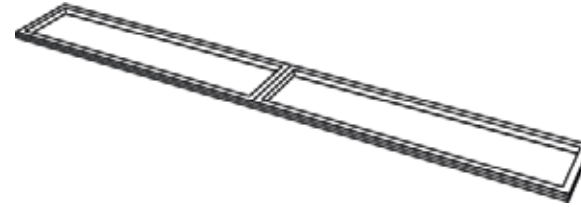
**EXPOLIGHT®
ASSEMBLY**

PARTS LIST:

| # | LABEL | NAME |
|----|-------|-----------------------|
| 1 | LVH1 | LEFT VERTICAL HINGED |
| 1 | RVH1 | RIGHT VERTICAL HINGED |
| 2 | BH1 | BOTTOM HORIZONTAL |
| 2 | MH1 | MIDDLE HORIZONTAL |
| 2 | TH1 | TOP HORIZONTAL |
| 4 | CVH2 | CENTER VERTICAL HALF |
| 24 | GRN | 1" THUMB SCREWS |
| 4 | RED | 2" THUMB SCREWS |

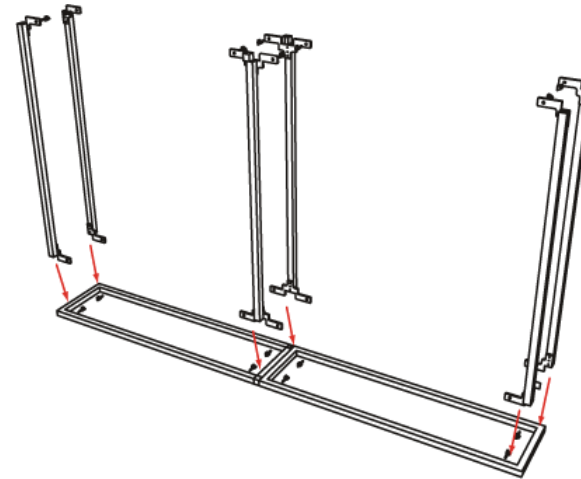
1st Step)

START WITH THE LEFT VERTICAL HINGE (LVH1)
ON THE GROUND



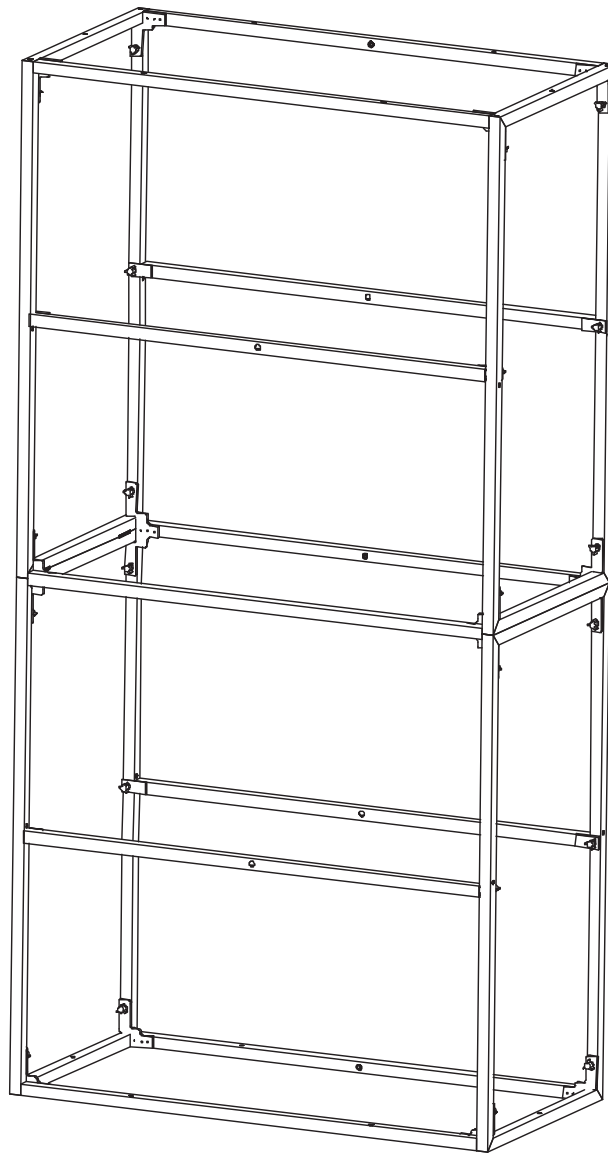
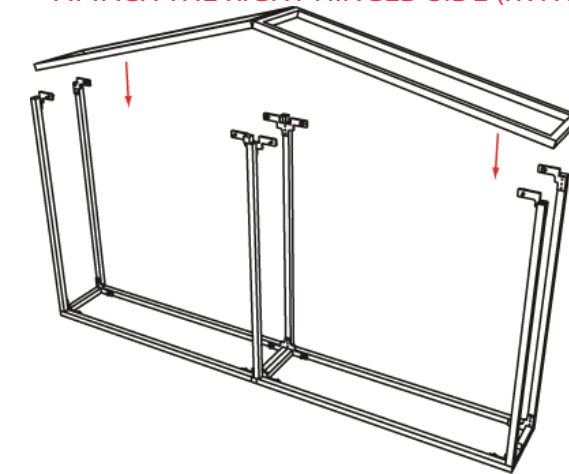
2nd Step)

ATTACH (2) TOP HORIZONTAL (TH1),
(2) MIDDLE HORIZONTAL (MH1),
(2) BOTTOM HORIZONTAL (BH1)



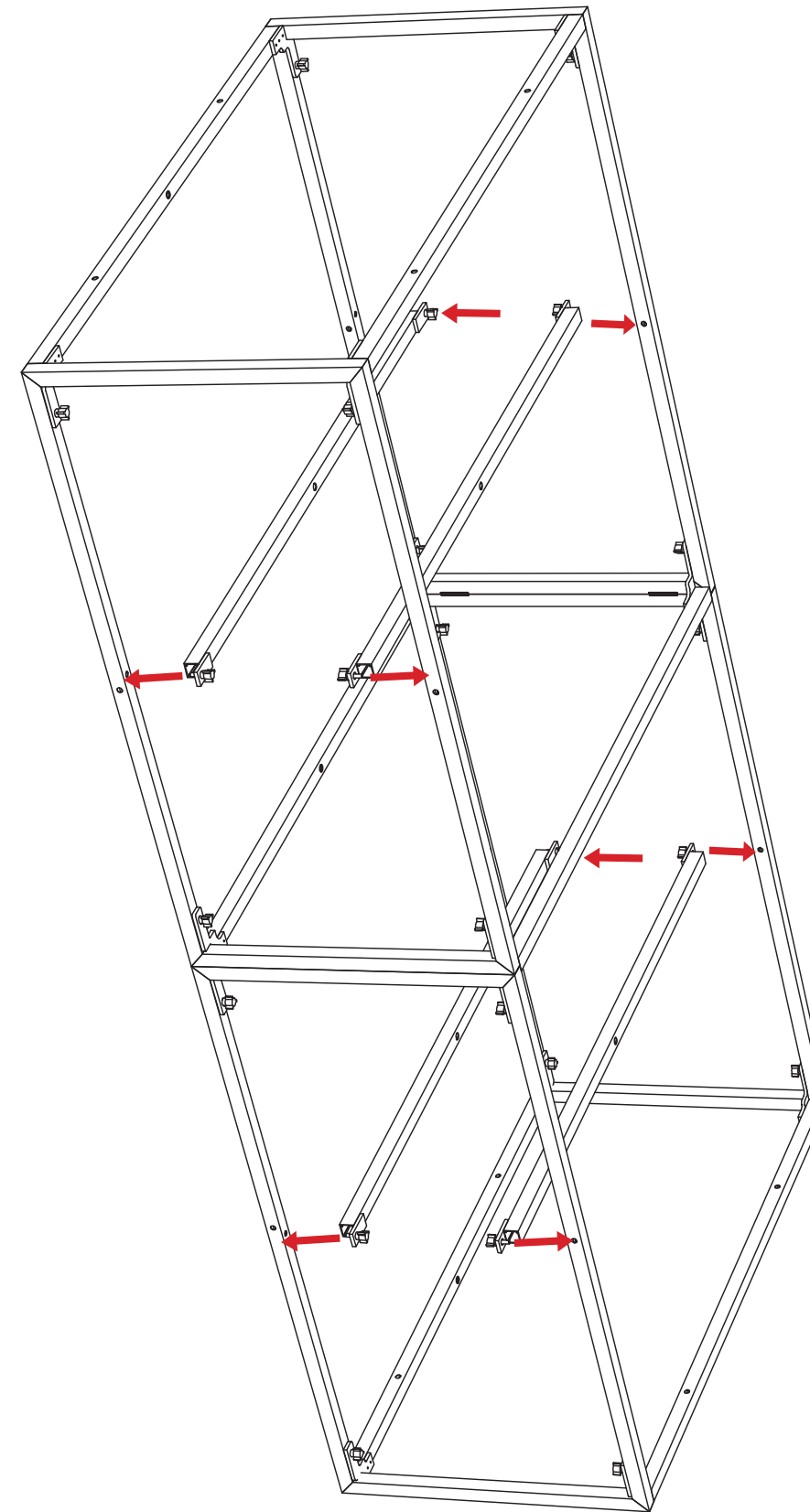
3rd Step)

ATTACH THE RIGHT HINGED SIDE (RVH1)



4th Step)

ATTACH THE (4) CENTER VERTICAL HALF (CVH2)



EX PO MultiQuad

An ExpoDisplaysProduct



Expo EX PO Displays
A Division of Diamond Displays International

3401 Mary Taylor Road
Birmingham, Alabama 35235
(205) 439-8200

Job #: 69749

Project Title

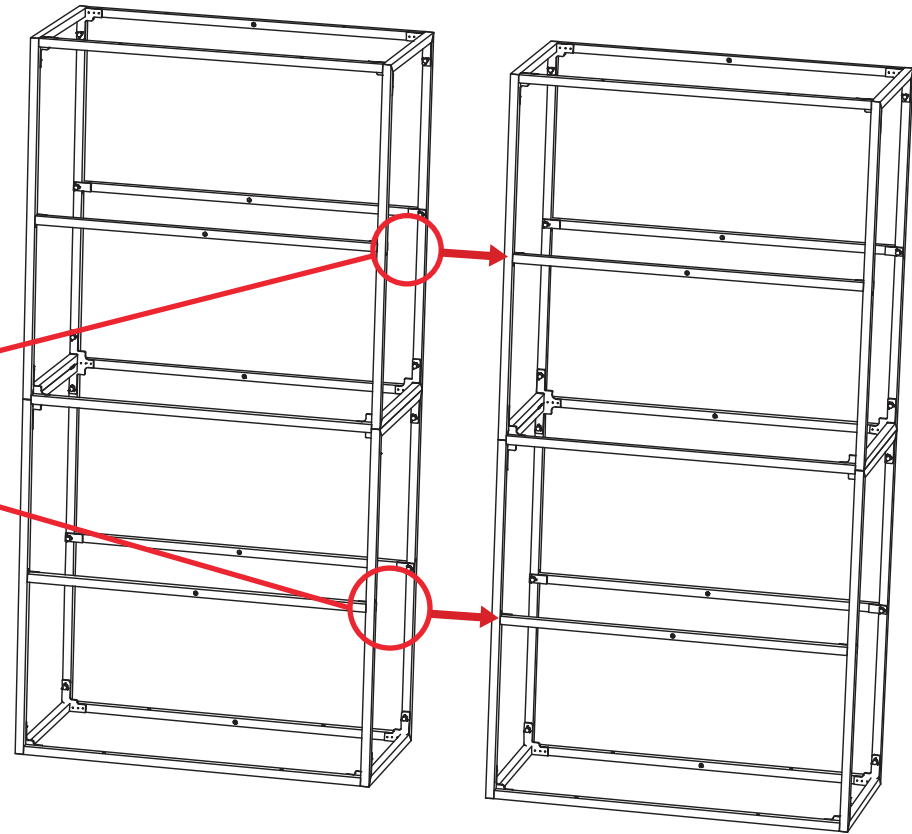
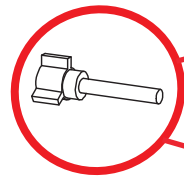
10x40 MULTIQUEAD®

Sheet Title

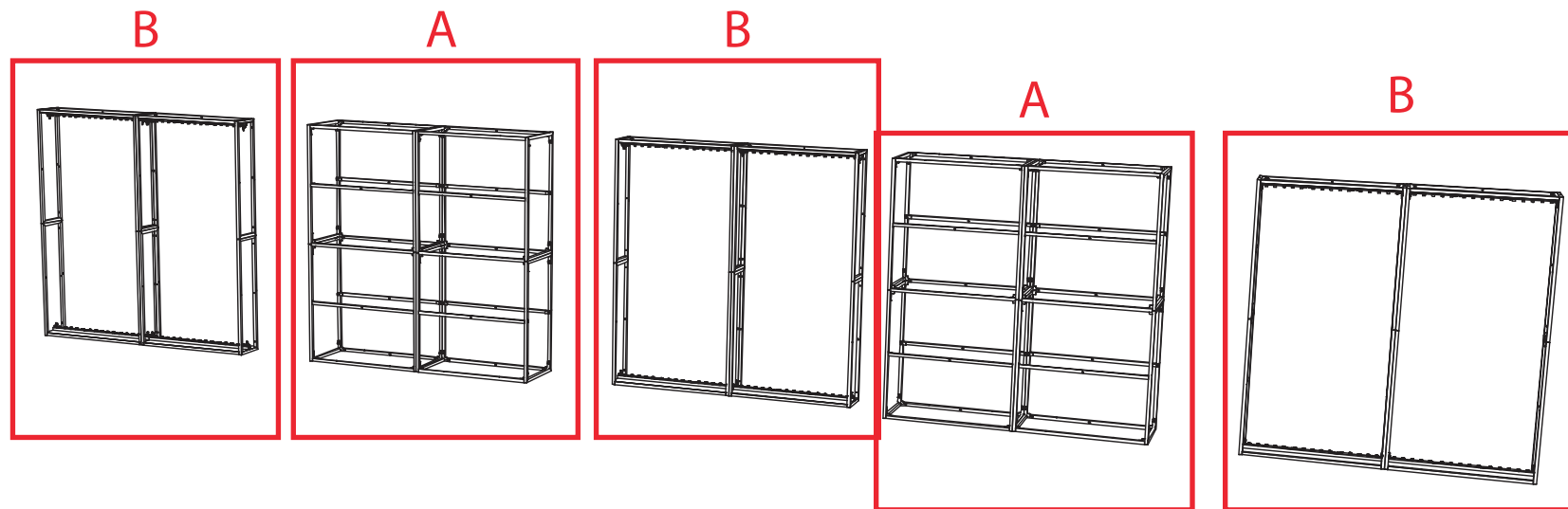
THIS PART USED TO MAKE
CUSTOM
CUSTOM COMPONENT

2 X 4 MAX

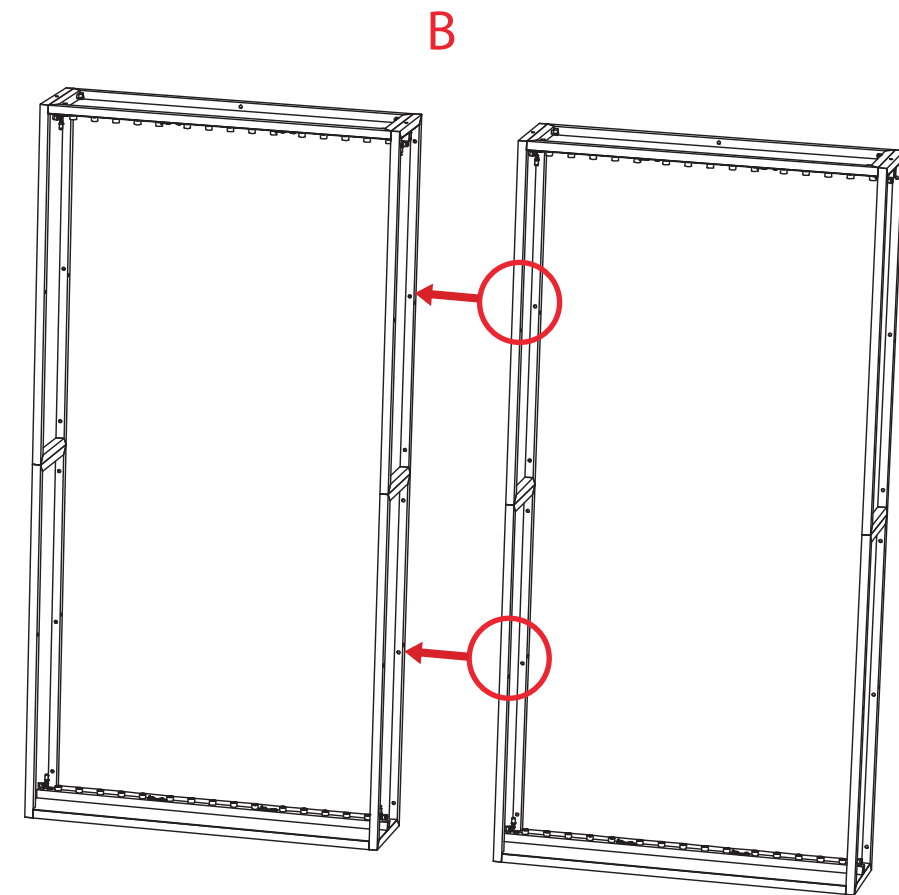
* JOIN (2) PAIRS OF CUSTOM 2X4 MAX FRAMES WITH (4) RED THUMBSCREWS IN THREADED HOLES (SEE APPENDIX A FOR GENERAL DETAILS)



A



* JOIN (3) PAIRS OF EXPOLIGHT FRAMES WITH (4) RED THUMBSCREWS IN THREADED HOLES (SEE APPENDIX A FOR GENERAL DETAILS)



B



Expo EX PO Displays
A Division of Diamond Displays International

3401 Mary Taylor Road
Birmingham, Alabama 35235
(205) 439-8200

Job #: 69749

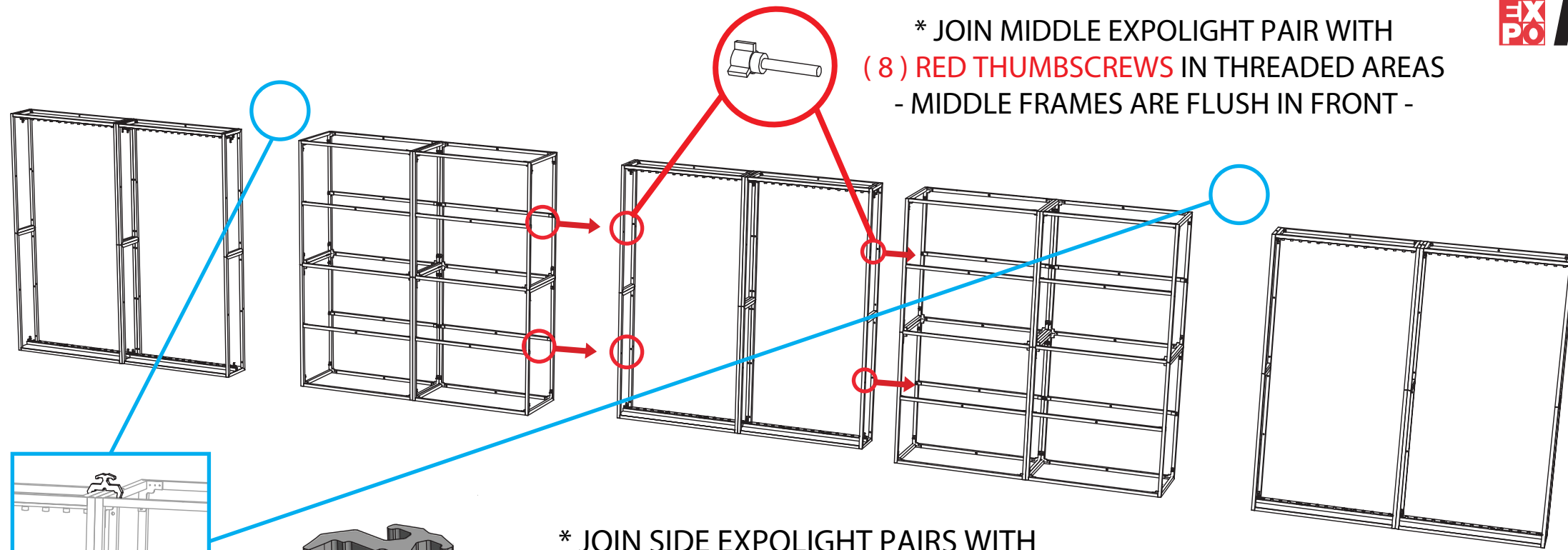
Project Title

10x40 MULTIQAD®

Sheet Title

**ASSEMBLY INSTRUCTIONS
EXPOLIGHT AND
CUSTOM ASSEMBLY**

* JOIN MIDDLE EXPOLIGHT PAIR WITH
(8) RED THUMBSCREWS IN THREADED AREAS
- MIDDLE FRAMES ARE FLUSH IN FRONT -



* JOIN SIDE EXPOLIGHT PAIRS WITH
(2) EXTRA-WIDE CLAMPS PLACED ON TOP
- MIDDLE FRAMES ARE FLUSH IN FRONT -



Expo EX PO Displays
A Division of Diamond Displays International

3401 Mary Taylor Road
Birmingham, Alabama 35235
(205) 439-8200

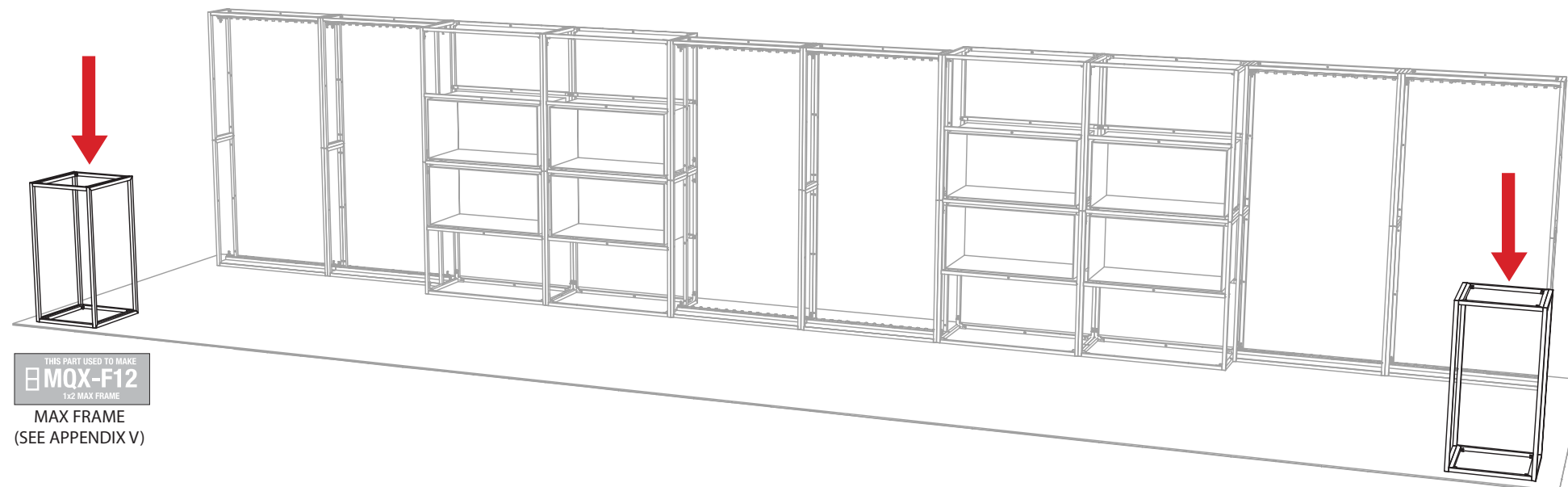
Job #: 69749

Project Title

10x40 MULTIQAD®

Sheet Title

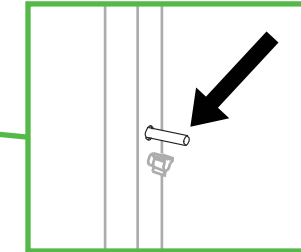
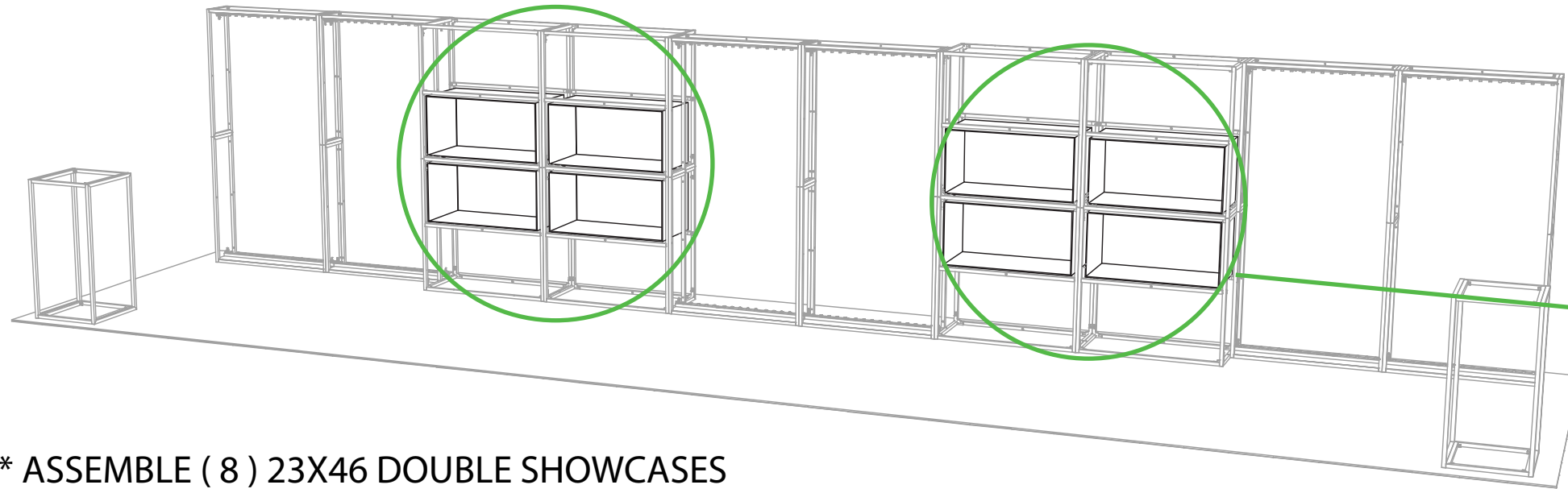
**ASSEMBLY
INSTRUCTIONS
WALL AND PODIUM**



* PLACE (2) LISTED PODIUM FRAMES
IN FRONT OF BOOTHSPACE AS SHOWN

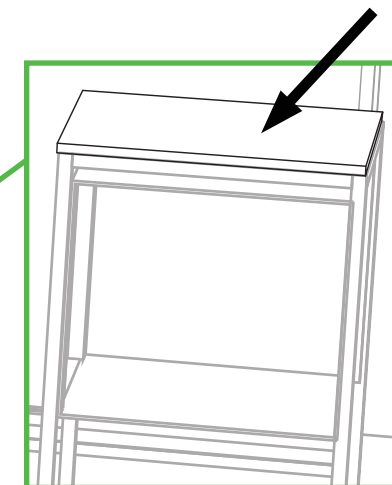
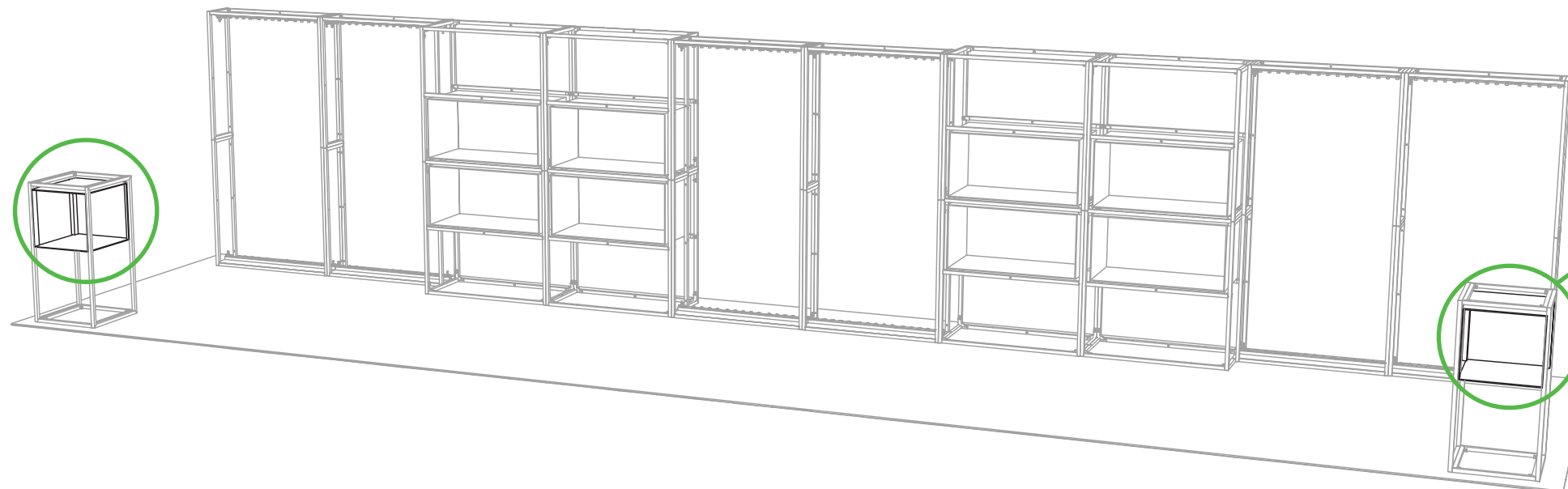
THIS PART USED TO MAKE
MQX-F12
1x2 MAX FRAME
MAX FRAME
(SEE APPENDIX V)

THIS PART USED TO MAKE
MQX-F12
1x2 MAX FRAME
MAX FRAME
(SEE APPENDIX V)



* ASSEMBLE (8) 23X46 DOUBLE SHOWCASES
(NO DIVIDER) INSIDE MAX FRAMES AS SHOWN
(SEE APPENDIX H-2 FOR DETAILS)

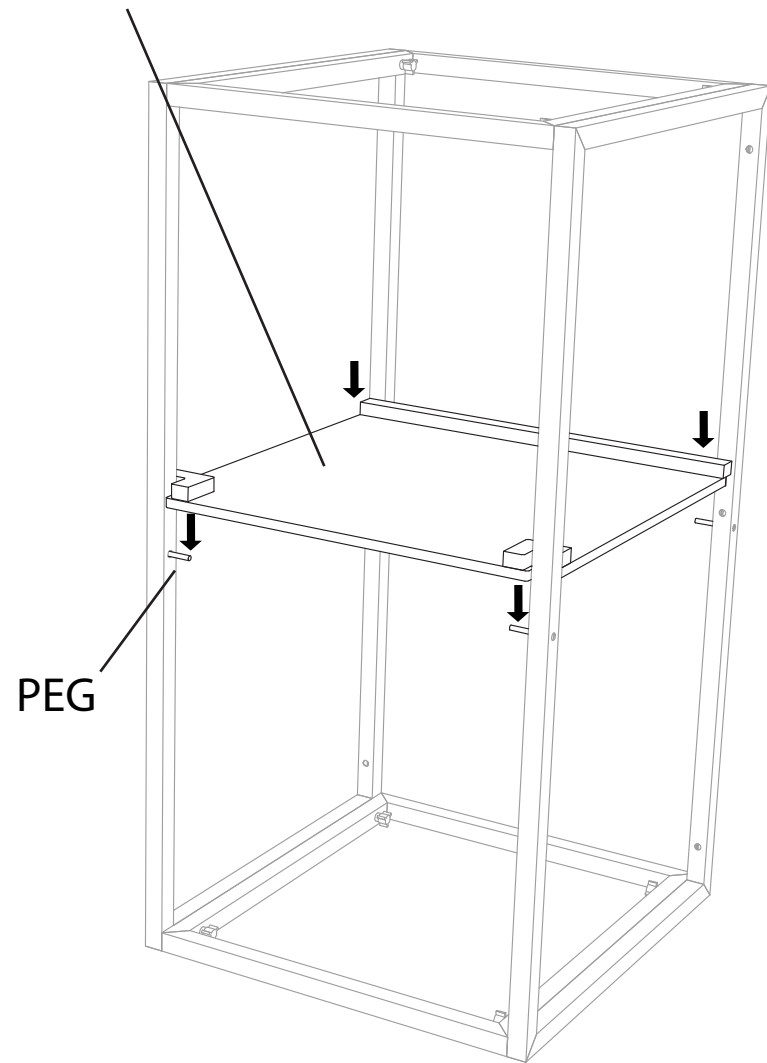
* PLACE PEGS IN HOLES
ABOVE GREEN SCREWS
FOR SHOWCASE SUPPORT



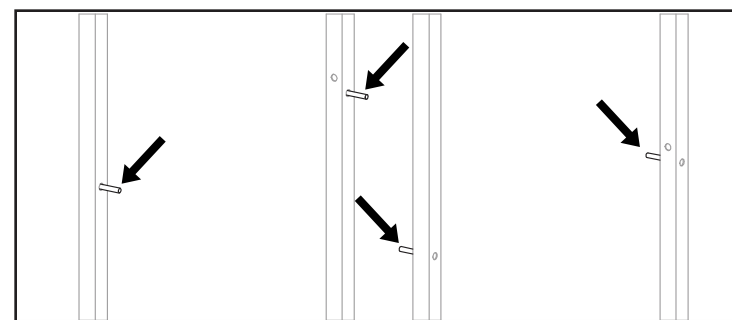
* ASSEMBLE (2) 23X23 OPEN SIDE SHOWCASES
INSIDE FRONT FRAMES AS SHOWN
(SEE PAGE 11 FOR DETAILS)

* PLACE (1) 23X23 SHELF
ON TOP OF BOTH FRAMES
IN FRONT AFTER ASSEMBLING
SHOWCASES

23 X 23
SHELF



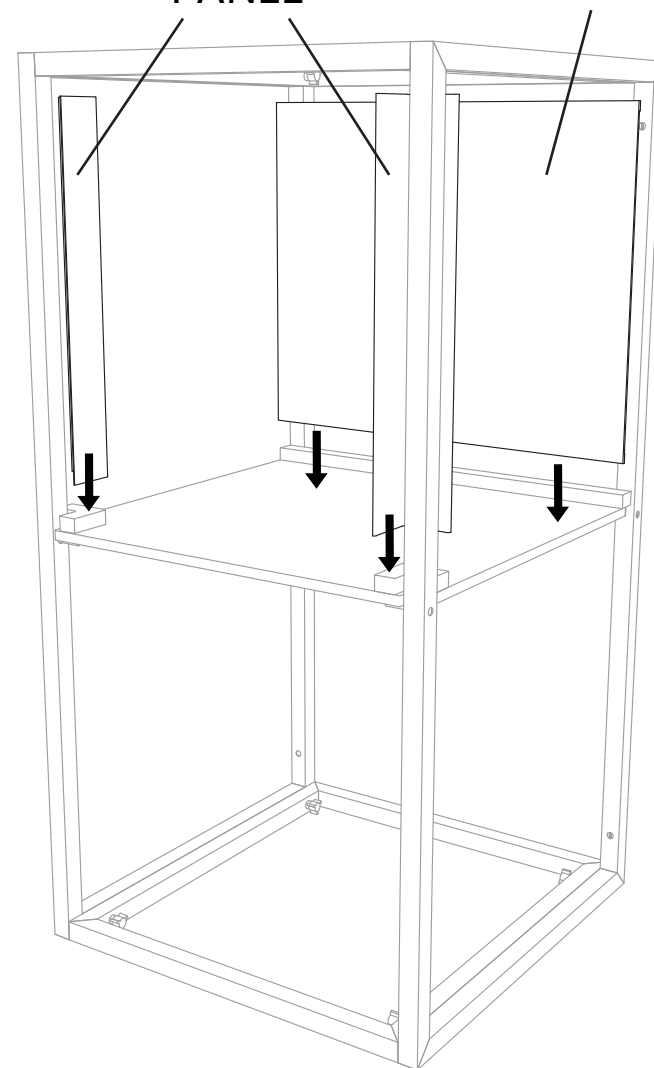
PEG



* PLACE 4 PEGS IN HOLES SHOWN
AND REST 23 X 23 SHELF ON TOP

FOLDED SIDE
PANEL

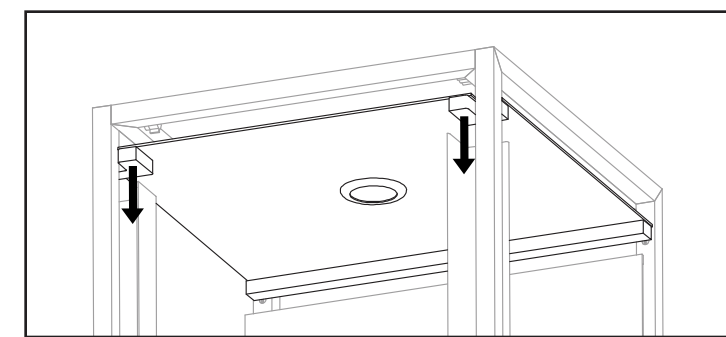
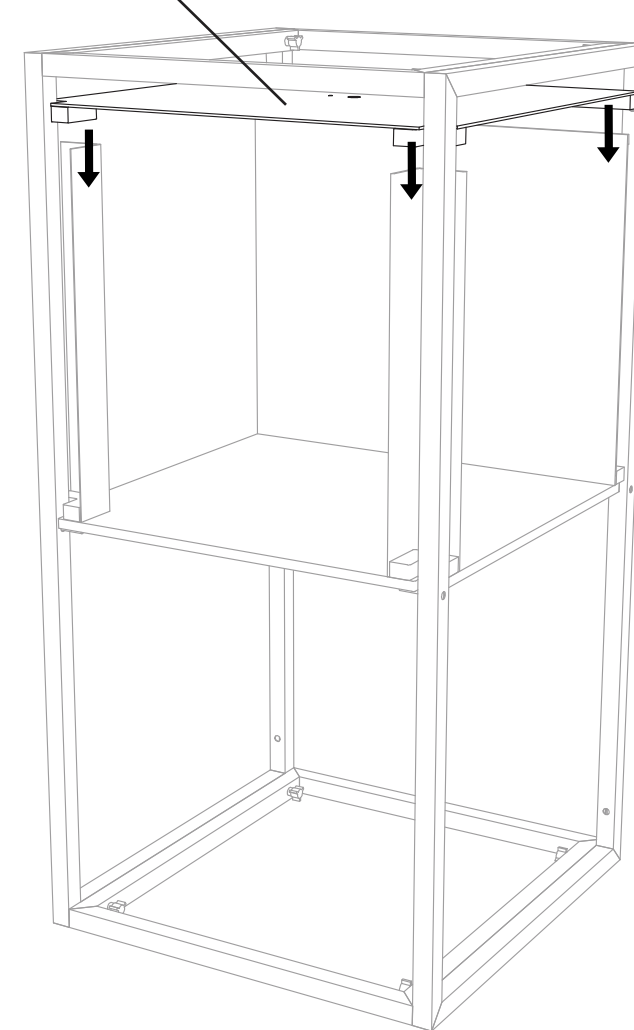
FLAT
BACK PANEL



* MATCH (2) FOLDED SIDE PANELS
TO L-SHAPED BARS IN FRONT AND
MATCH (1) FLAT BACK PANEL
TO LONG BAR IN BACK

TOP
SHOWCASE

EX PO MultiQuad[®]
An ExpoDisplaysProduct



* MATCH TOP SHOWCASE TO SIDE AND
BACK PANELS WITH LIGHT FACING
DOWN TOWARD SHELF

* PLACE SHOWCASE QUADS
ON (3) SIDES OF FRAMES USING
GRAPHIC LAYOUT ON NEXT PAGE



Expo EX PO Displays[®]
A Division of Diamond Displays International

3401 Mary Taylor Road
Birmingham, Alabama 35235
(205) 439-8200

Job #: 69749

Project Title

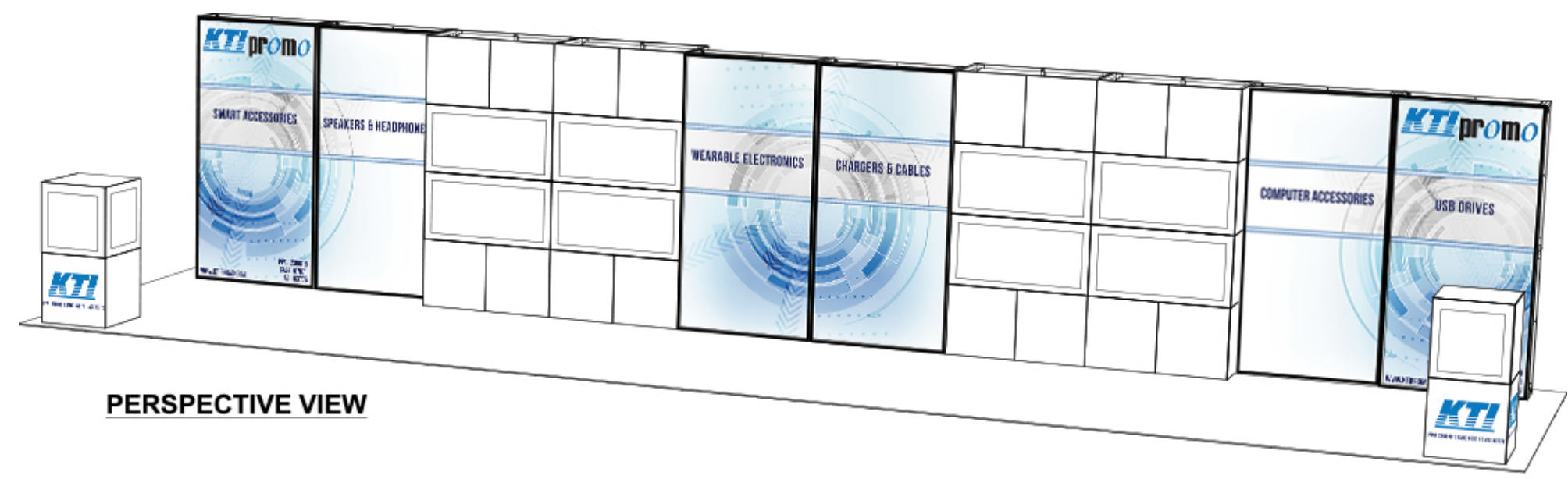
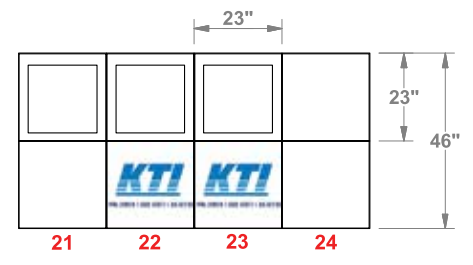
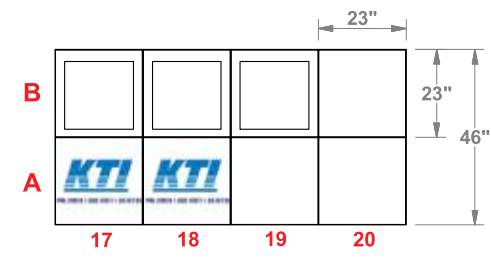
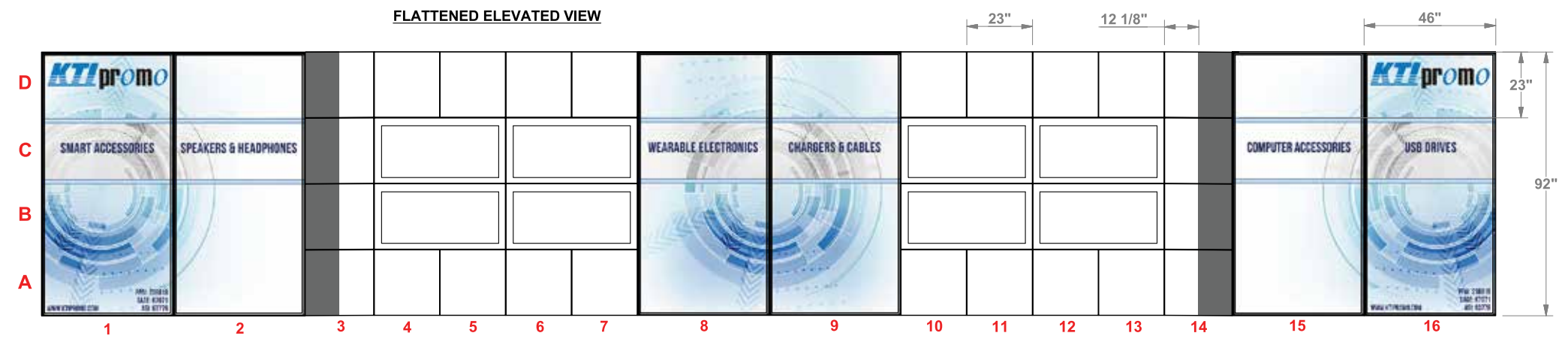
10x40 MULTIQUAD[®]

Sheet Title

**ASSEMBLY
INSTRUCTIONS
OPEN-SIDE
SHOWCASE
ASSEMBLY**

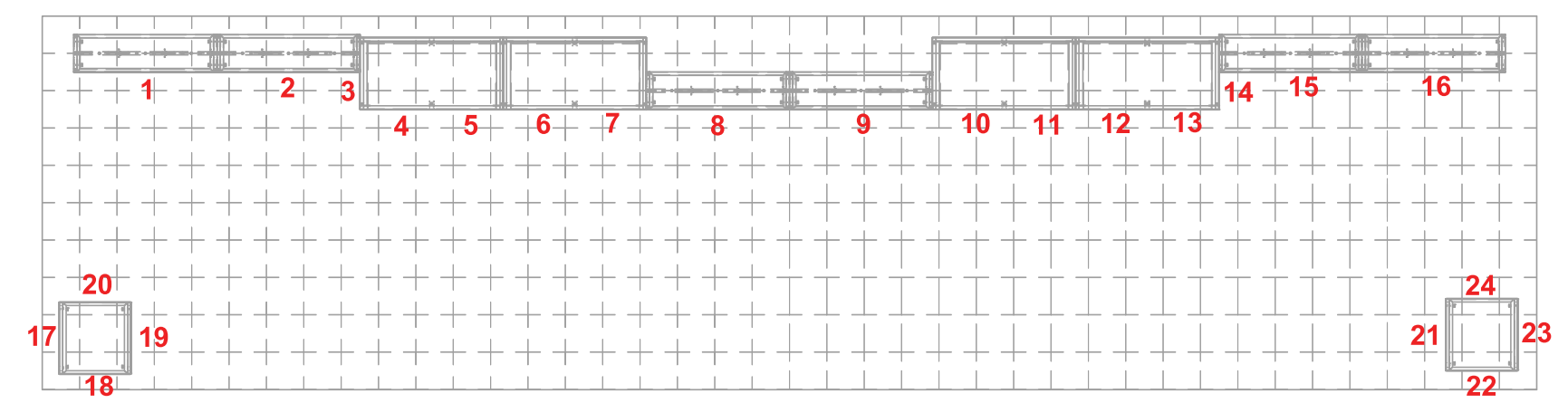


FLATTENED ELEVATED VIEW



PERSPECTIVE VIEW

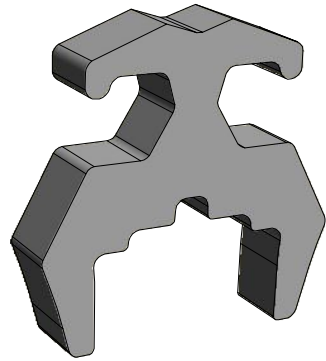
| PARTS LIST: | | |
|-------------|-------|----------------------|
| # | SIZE | NAME |
| 34 | 23x23 | STANDARD QUAD |
| 8 | 23X46 | DOUBLE SHOWCASE QUAD |
| 6 | 46x92 | BACK-LIT GRAPHIC |
| 6 | 23X23 | SHOWCASE QUAD |



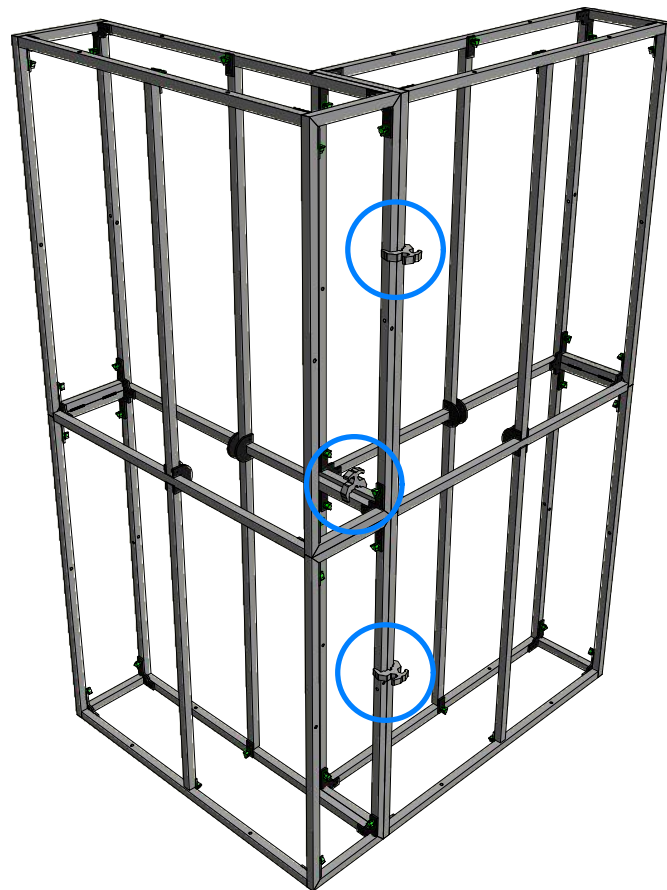
TOP VIEW

**FRAME CLAMP INSTRUCTION
MQ-CLMP**

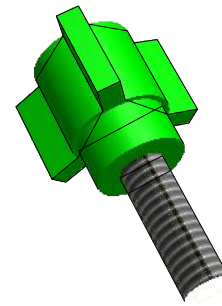
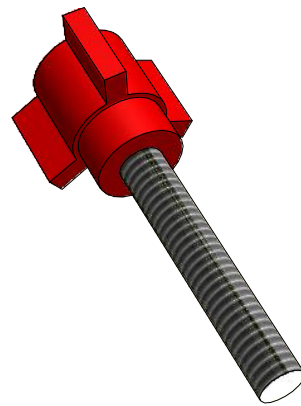
(NOT REQUIRED IN EVERY CONFIGURATION)



THE MQ-CLMP IS A FRICTION-FIT CONNECTOR / ALIGNMENT TOOL THAT DOES NOT REQUIRE TOOLS. THEY ARE TO BE USED IN ABNORMAL MULTIQUAD FRAME CONFIGURATIONS OR AS ADDITIONAL FRAME SECURITY IN SPECIAL SITUATIONS



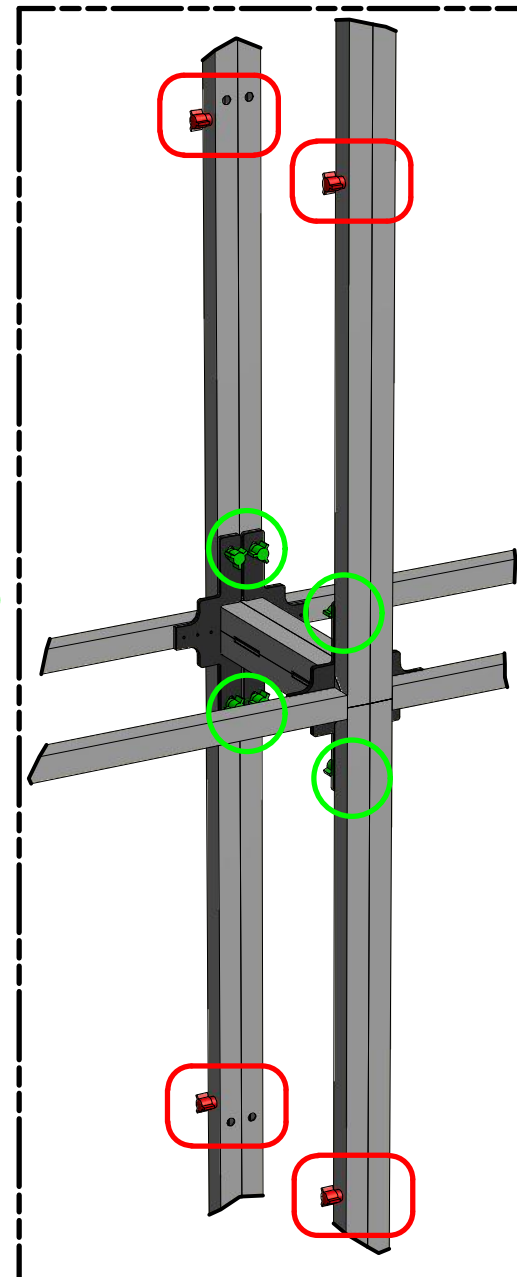
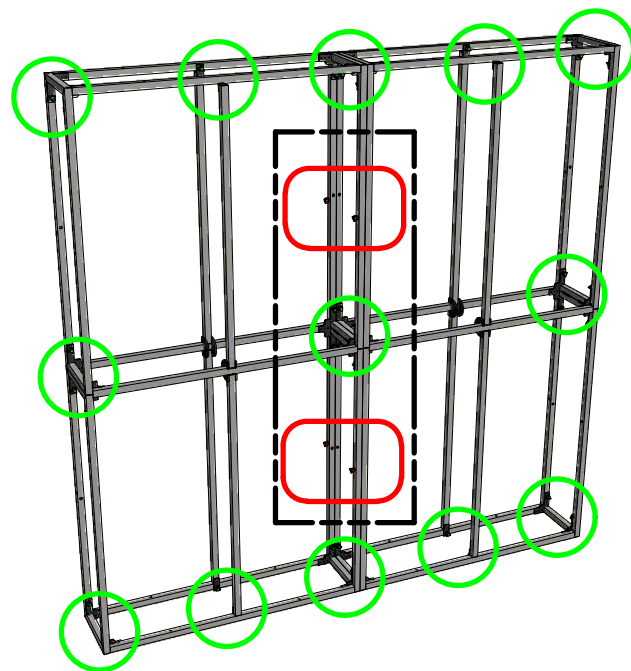
**THUMB SCREW INSTRUCTION
MQ-TSR2 / MQ-TSG1**



THE 2" RED THUMB SCREW IS USED TO CONNECT MULTIQUAD FRAMES TO OTHER MULTIQUAD FRAMES. EACH FRAME HAS RIVET NUT ON ONE SIDE AND A HOLE ON THE OTHER TO ALLOW FRAME TO FRAME CONNECTION

THE 1" GREEN THUMB SCREWS ARE USED WHEN ASSEMBLING 1x4 AND 2x4 FRAMES. SEE APPENDIX PAGES

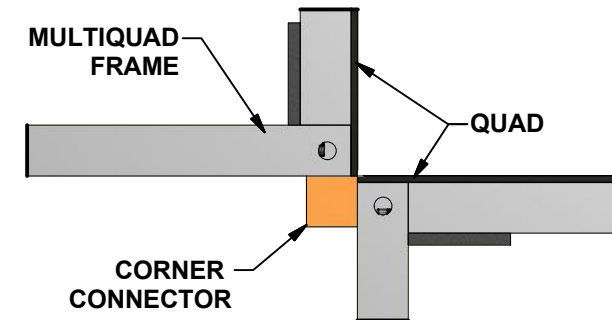
DUE TO THE RIVET NUTS, ALL FRAMES HAVE A LEFT AND RIGHT SIDE. VERIFY FRAME ORIENTATION TO ALLOW FRAME TO FRAME CONNECTION



**CORNER CONNECTOR INSTRUCTION
MQ-BTW**

(NOT REQUIRED IN EVERY CONFIGURATION)

THE MQ-BTW CORNER ALIGNMENT TOOL IS DESIGNED TO AID IN THE ALIGNMENT OF FRAMES AS NEEDED IN SOME MULTIQUAD CONFIGURATIONS.

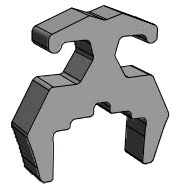
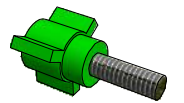


AFTER TWO MULTIQUAD FRAMES ARE SET "CORNER-TO-CORNER" THE MQ-BTW SIMPLY ATTACHES TO THE EXISTING MAGNETS ON THE FRAME



Expo Displays

3401 Mary Taylor Road
Birmingham, Alabama 35235
(205) 439-8200



**ASSEMBLY
INSTRUCTIONS**

CONNECTORS & ALIGNMENT TOOLS

APPENDIX A

| PARTS LIST | | |
|------------|-------------|----------------------------------|
| QNTY | LABEL | NAME |
| 4 | CVH2 | CENTER HORIZONTAL & VERTICAL BAR |
| 8 | GREEN | 1" GREEN THUMB SCREW |
| 1 | LAM PLYWOOD | LAMINATED PLYWOOD SHELF |
| 2 | SINTRA | QUAD SIDE WALLS |
| 1 | SINTRA | QUAD WITH LED PUCK LIGHT |
| 1 | SINTRA | DOUBLE QUAD |
| 1 | SINTRA | DOUBLE QUAD WITH CUTOUT |

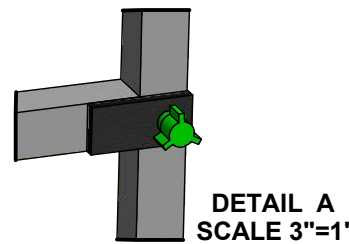
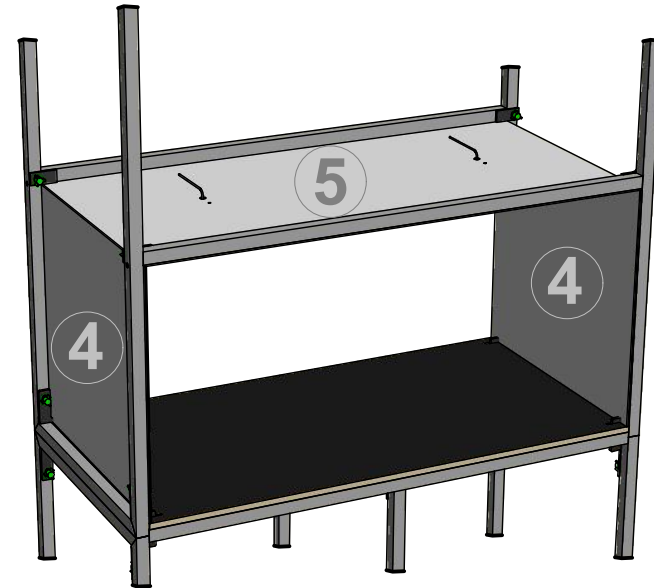
1st Step)

ASSEMBLE MQ FRAME. INSTALL (2) CVH2 VERTICAL BARS IN BOTTOM-CENTER OF FRAMING. CONNECT IN PLACE USING (4) GREEN THUMB SCREWS.



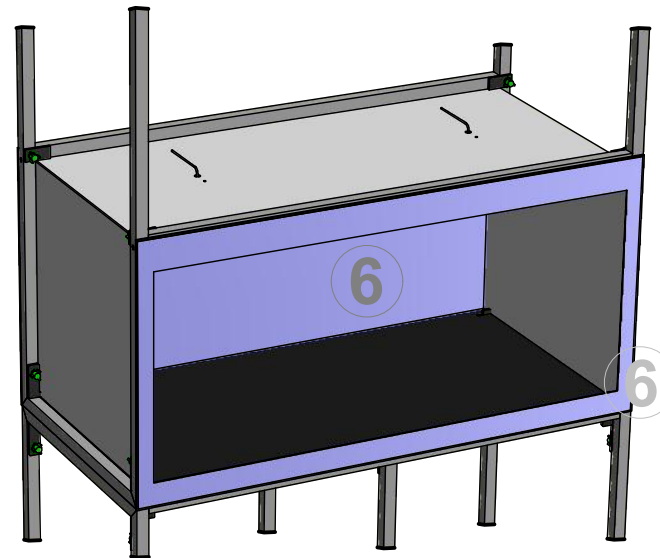
2nd Step)

PLACE BLACK LAMINATED SHELF INTO FRAME. SHELF CONTAINS SLOTS THAT SLIP OVER PLASTIC BAR CONNECTORS.



3rd Step)

INSTALL (2) CVH2 HORIZONTAL BARS TO UPPER-CENTER THREADED INSERT OF MQ FRAME USING GREEN THUMB SCREWS.



4th Step)

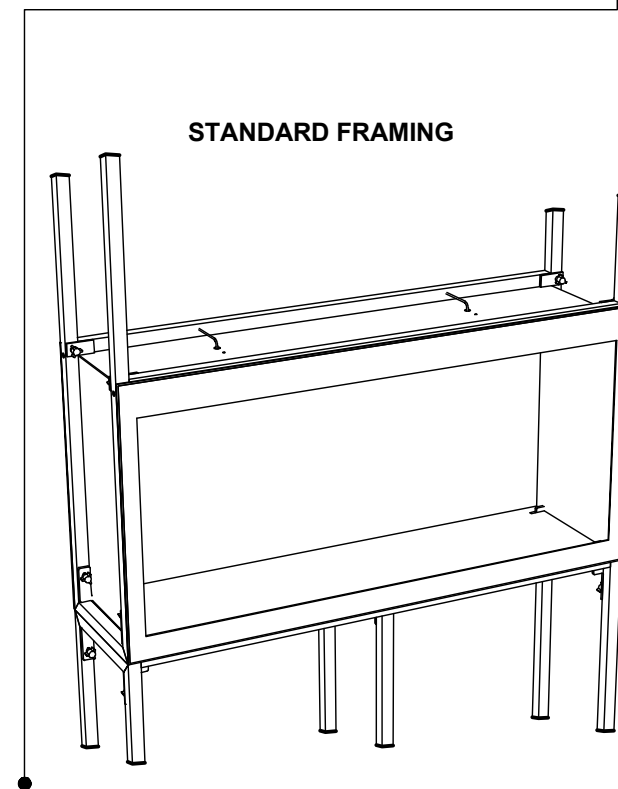
PLACE (2) SIDE QUADS (QUADS WITH MAGNETS ON SIDES ONLY) ON INSIDE LEFT AND RIGHT FRAME.

5th Step)

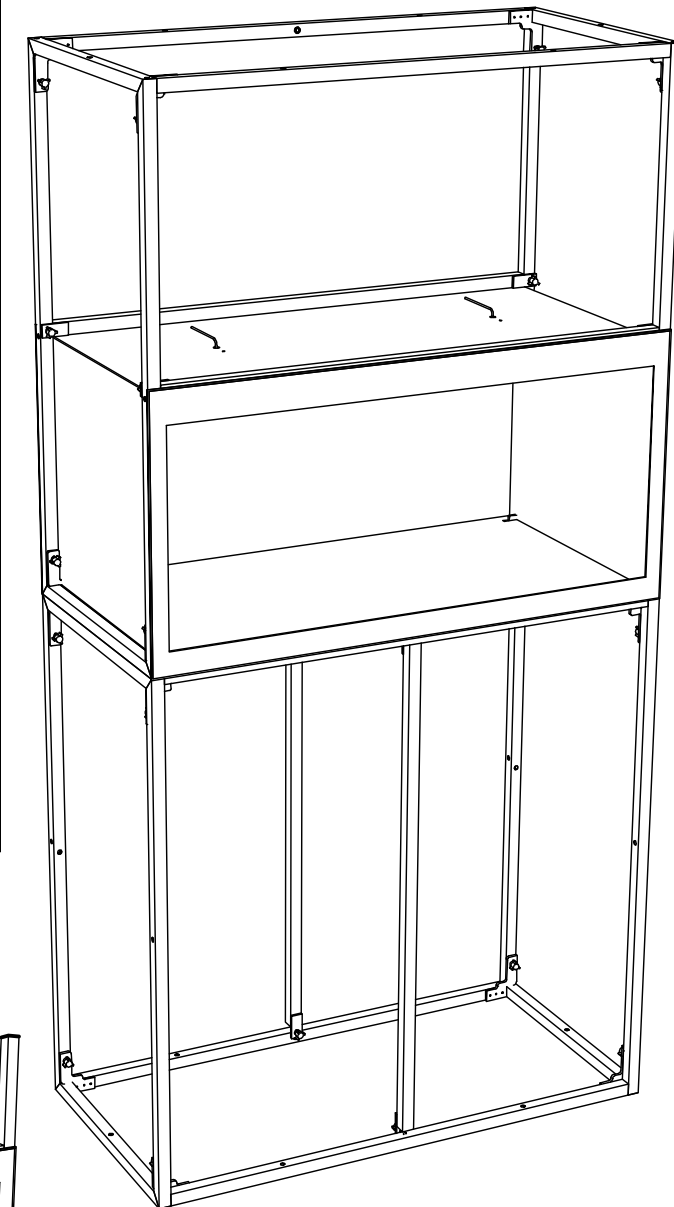
INSTALL TOP QUAD WITH LED PUCK LIGHTS TO BOTTOM OF CVH2 BARS. QUAD IS APPLIED WITH VELCRO. CONNECT AND RUN PROVIDED POWER CABLE AND TRANSFORMER TO BACK OF MQ FRAME. PLUG INTO POWER SOURCE.

6th Step)

APPLY FRONT DOUBLE QUAD WITH CUTOUT TO FRONT OF SHOWCASE, AND REAR DOUBLE QUAD TO BACK OF CUBBY TO FORM AN ENCLOSED SHOWCASE.

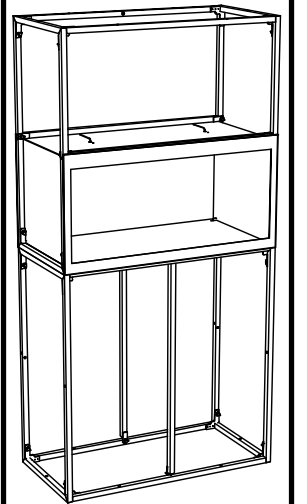


MAX FRAMING



Expo Displays

3401 Mary Taylor Road
Birmingham, Alabama 35235
(205) 439-8200



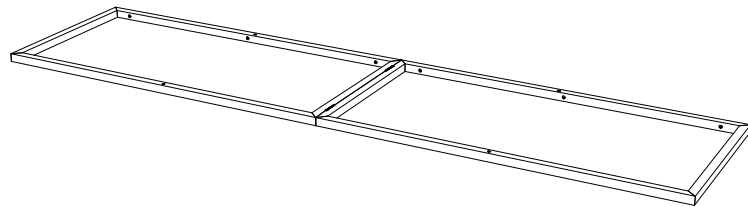
ASSEMBLY INSTRUCTIONS
DOUBLE SHOWCASE ASSEMBLY

APPENDIX H2

| PARTS LIST | | |
|------------|-------|------------------------|
| QNTY | LABEL | NAME |
| 1 | LVHX | LEFT VERTICAL HINGED |
| 1 | RVHX | RIGHT VERTICAL HINGED |
| 2 | BH1 | BOTTOM HORIZONTAL |
| 2 | MH1 | MIDDLE HORIZONTAL |
| 2 | TH1 | TOP HORIZONTAL |
| 2 | CVH1 | CENTER VERTICAL HINGED |
| 20 | GRN | 1" GREEN THUMB SCREW |
| 4 | RED | 2" RED THUMB SCREW |

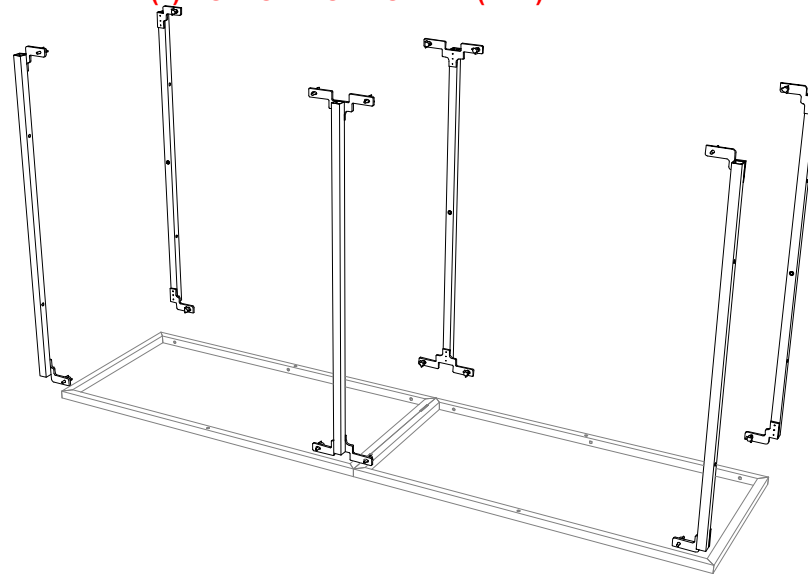
1st Step)

START WITH THE LEFT VERTICAL (LVHX) ON THE GROUND



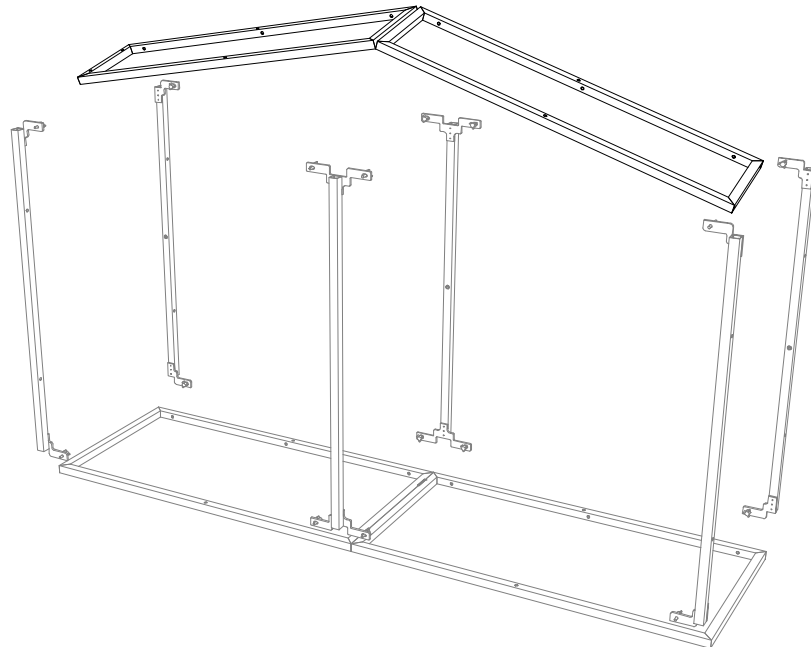
2nd Step)

ATTACH THE (2) TOP HORIZONTAL (TH1), THE (2) MIDDLE HORIZONTAL (MH1), AND THE (2) BOTTOM HORIZONTAL (BH1)



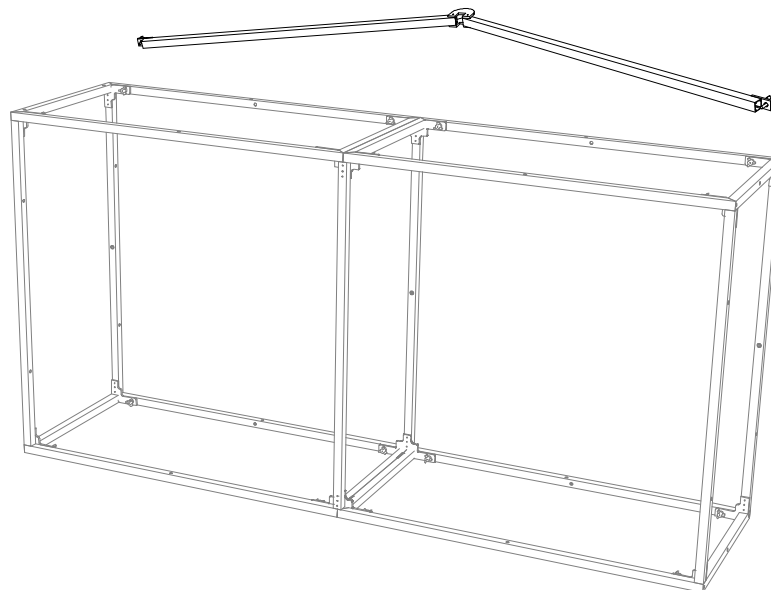
3rd Step)

ATTACH THE RIGHT HINGED SIDE (RVH1)



4th Step)

ATTACH THE (2) CENTER VERTICAL HINGED (CVH1) AND STAND UP-RIGHT



MATCH NUMBERS TO CONSTRUCT



Expo Displays

3401 Mary Taylor Road
Birmingham, Alabama 35235
(205) 439-8200

THIS PART USED TO MAKE
MOX-F24
2x4 MAX FRAME



ASSEMBLY
INSTRUCTIONS

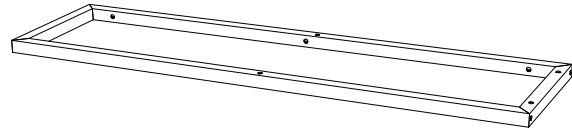
2x4 MAX FRAME
MOX-F24

APPENDIX J

| PARTS LIST | | |
|------------|-------|--------------------------|
| QNTY | LABEL | NAME |
| 1 | LVRX1 | LEFT VERTICAL RECTANGLE |
| 1 | RVRX1 | RIGHT VERTICAL RECTANGLE |
| 1 | BHRX2 | BOTTOM HORIZONTAL RECT. |
| 1 | THR2 | TOP HORIZONTAL RECT. |
| □ | RED | 2" RED THUMB SCREW |

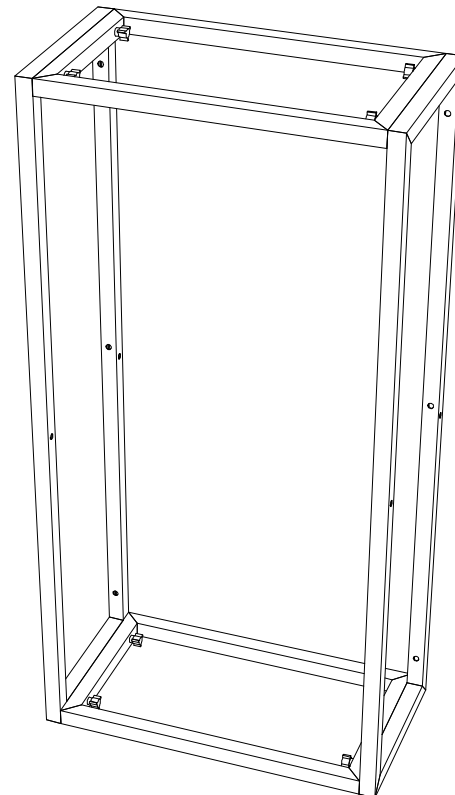
1st Step

START WITH THE LEFT VERTICAL RECTANGLE (LVR1) ON THE GROUND



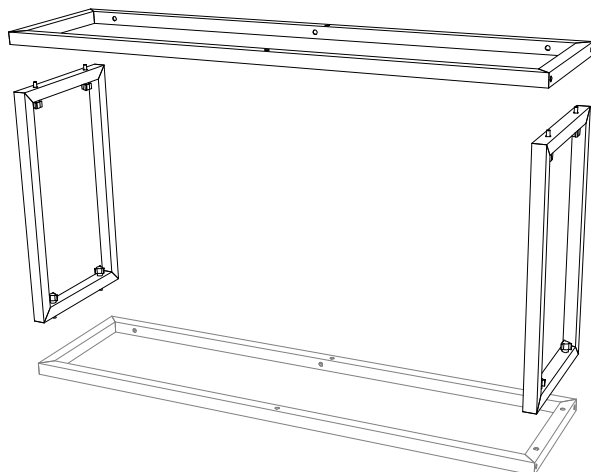
2nd Step

STAND UP RIGHT

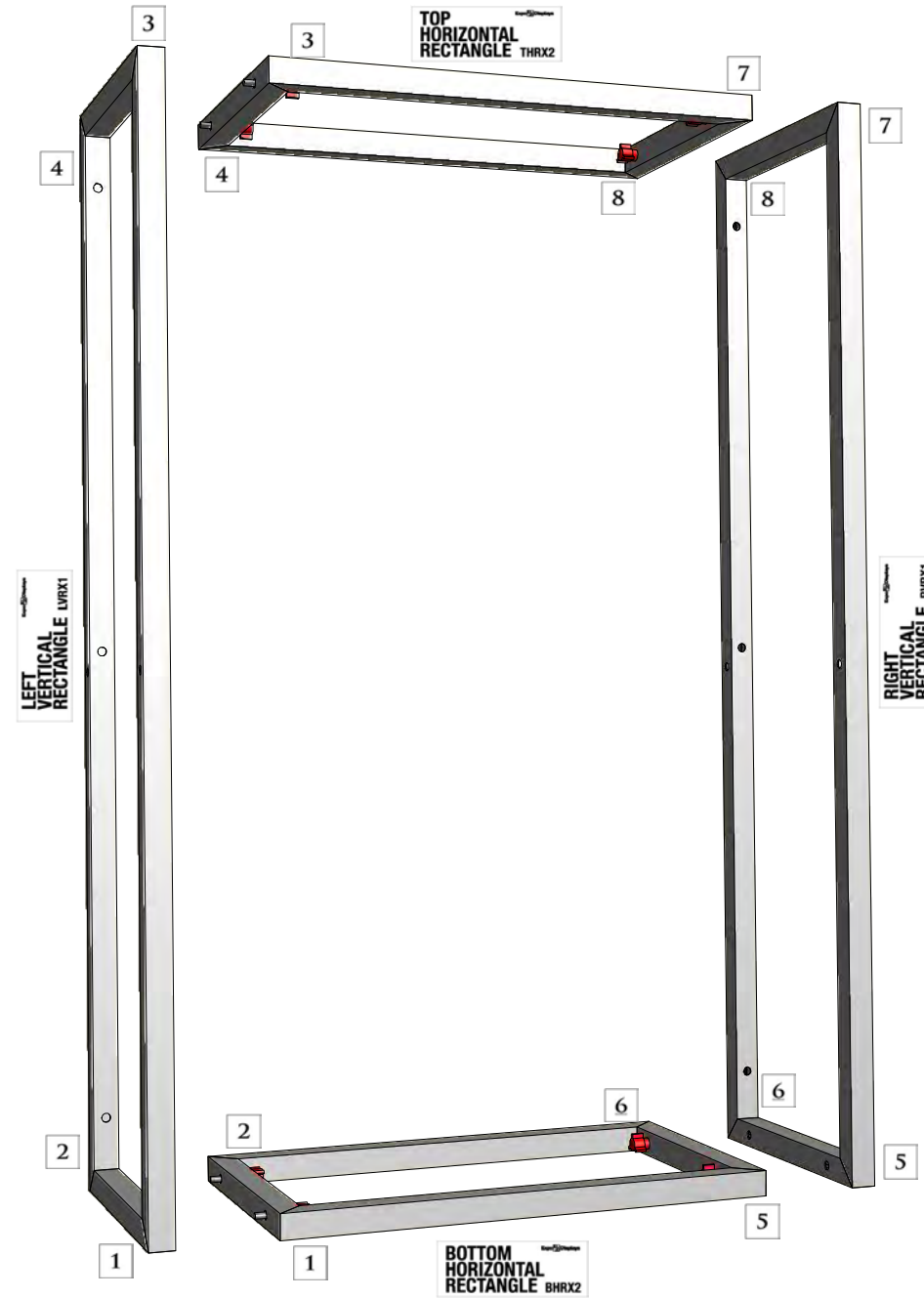


3rd Step

ATTACH THE TOP & BOTTOM HORIZONTAL (THR2, BHR2), THEN ATTACH THE RIGHT VERTICAL RECTANGLE



MATCH NUMBERS TO CONSTRUCT



THIS PART USED TO MAKE
MOX-F12
1x2 MAX FRAME

ASSEMBLY
INSTRUCTIONS

1x2 MAX FRAME
MOX-F12