

WHEN ASSEMBLING **EX PO MultiQuad**[®]

REMEMBER YOUR **ABC**'s...

ASSEMBLE EACH COMPONENT SEPARATELY

BUILD THE DESIRED LAYOUT

COVER YOUR MULTIQUAD LAYOUT WITH QUADS



EX PO MultiQuad[®]
An **ExpoDisplays** Product

American Image Displays
10 x 20 Custom MultiQuad[®]

EX PO

Expo EX PO Displays[®]
A Division of Diamond Displays International

3401 Mary Taylor Road
Birmingham, Alabama 35235
(205) 439-8200

Job #: 70172

Project Title

10x20 MULTIQUAD[®]

Sheet Title

**ASSEMBLY
INSTRUCTIONS
COVER SHEET**



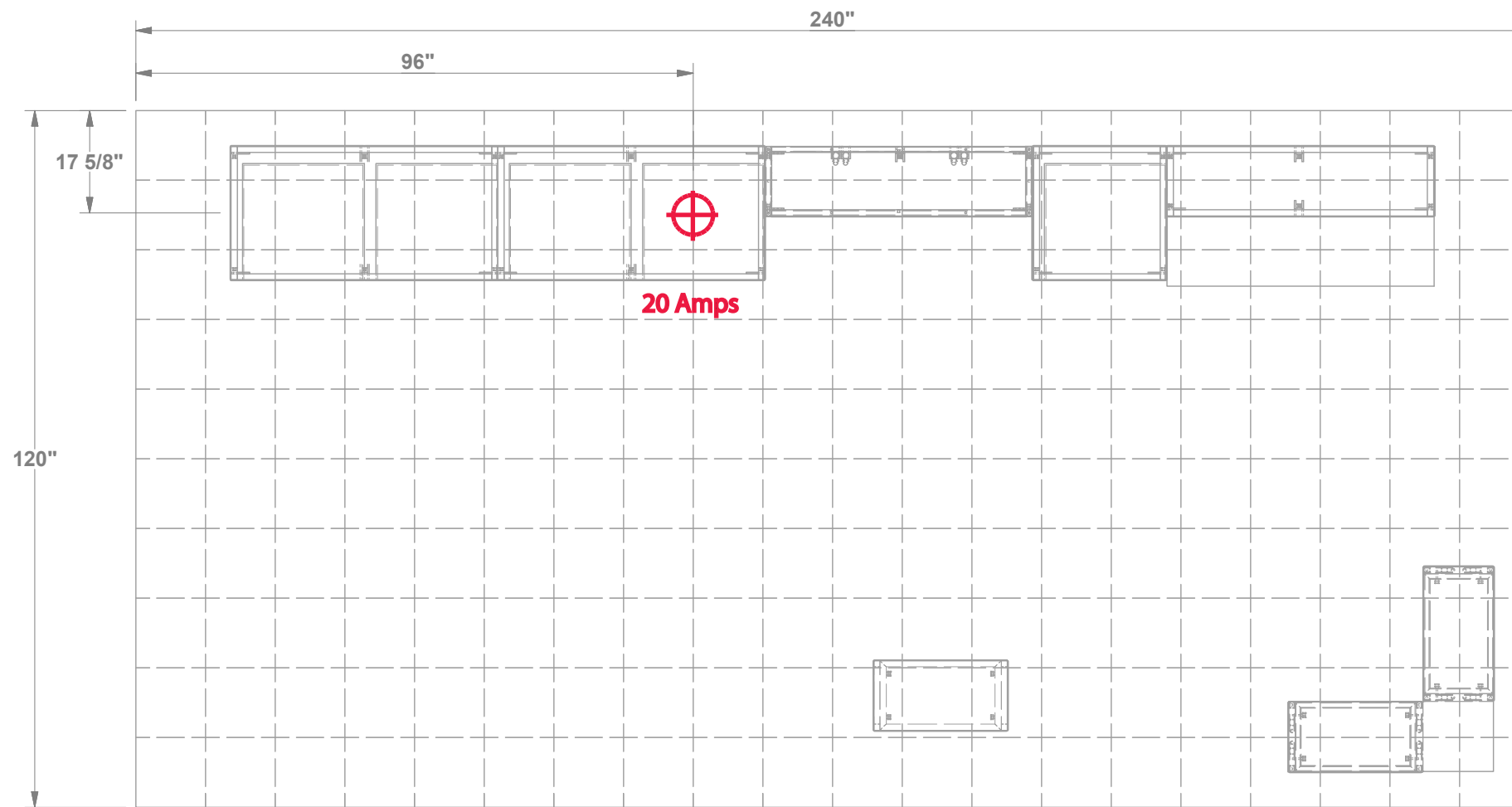
Project Title

10x20 MULTIQUAD®

Sheet Title

ASSEMBLY INSTRUCTIONS ELECTRICAL PLAN

BOOTH # _____ ↗



TOP VIEW

BOOTH # _____ ↘

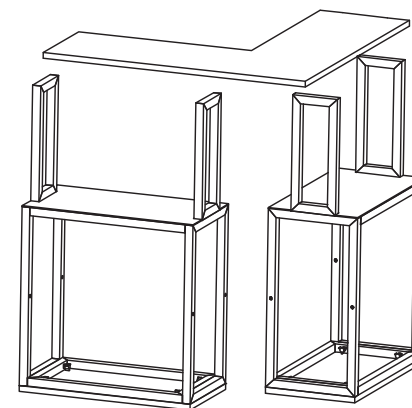
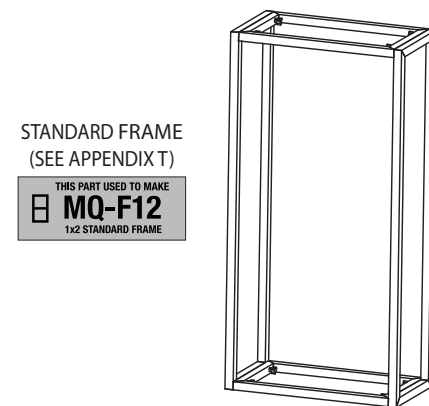
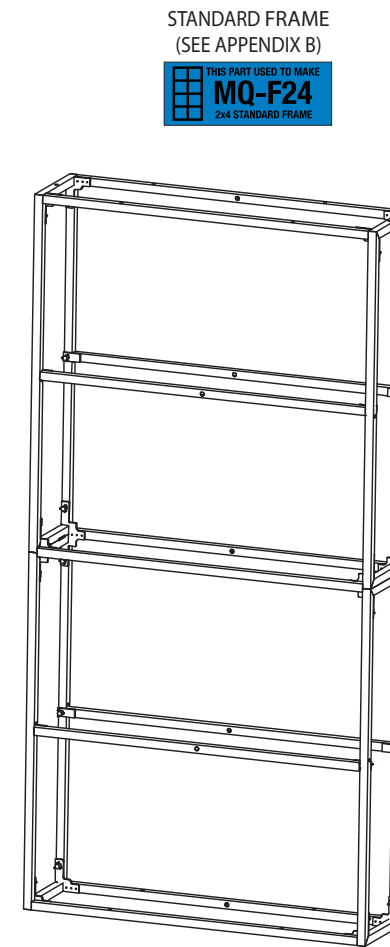
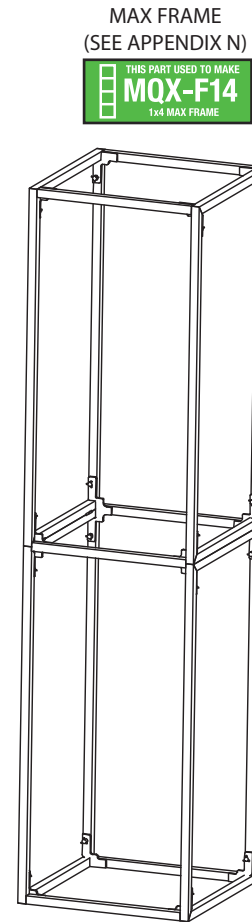
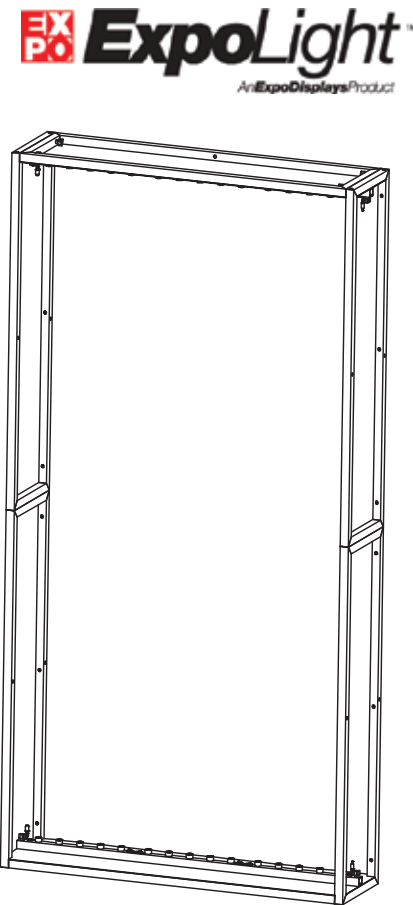
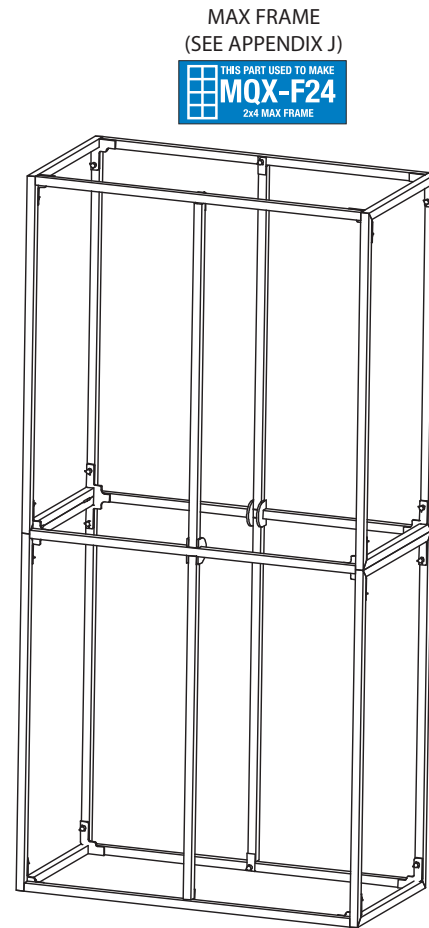
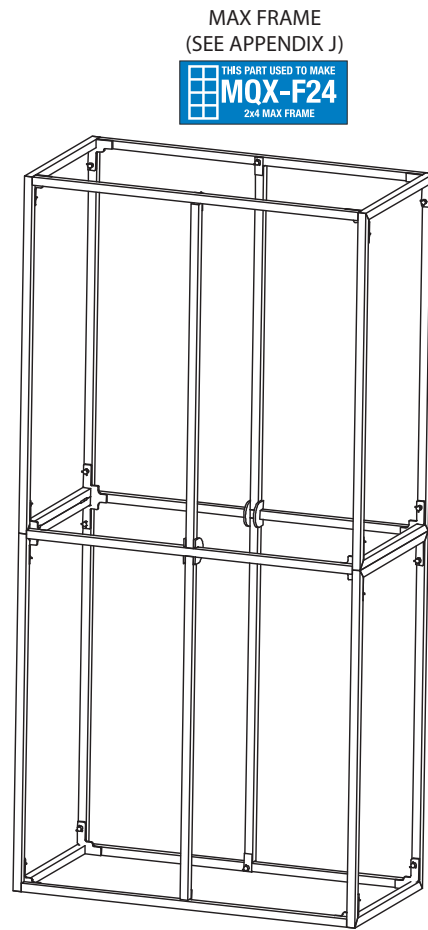
FRONT OF DISPLAY

1 Square = 1'- 0"

SHOW: _____

BOOTH: _____

	MAIN ELECTRICAL DROP
	ELECTRICAL OUTLET
	POWER CORDS RUN UNDER CARPET



* ASSEMBLE ALL LISTED FRAMES
SEPARATELY USING APPENDIX PAGES



Expo EX PO Displays
A Division of Diamond Displays International

3401 Mary Taylor Road
Birmingham, Alabama 35235
(205) 439-8200

Job #: 70172

Date: 11.29.16

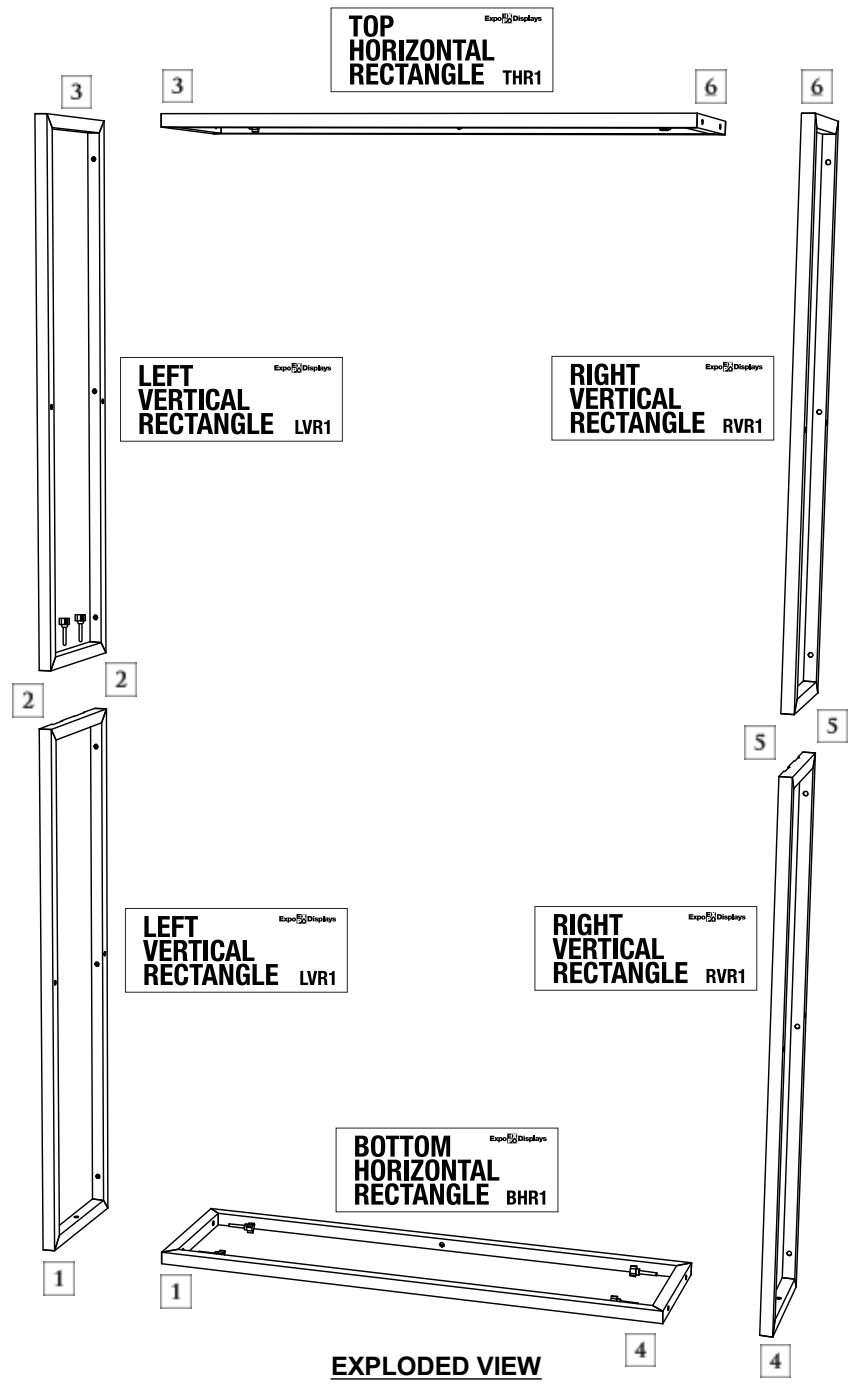
Drawn By: CASS

Project Title

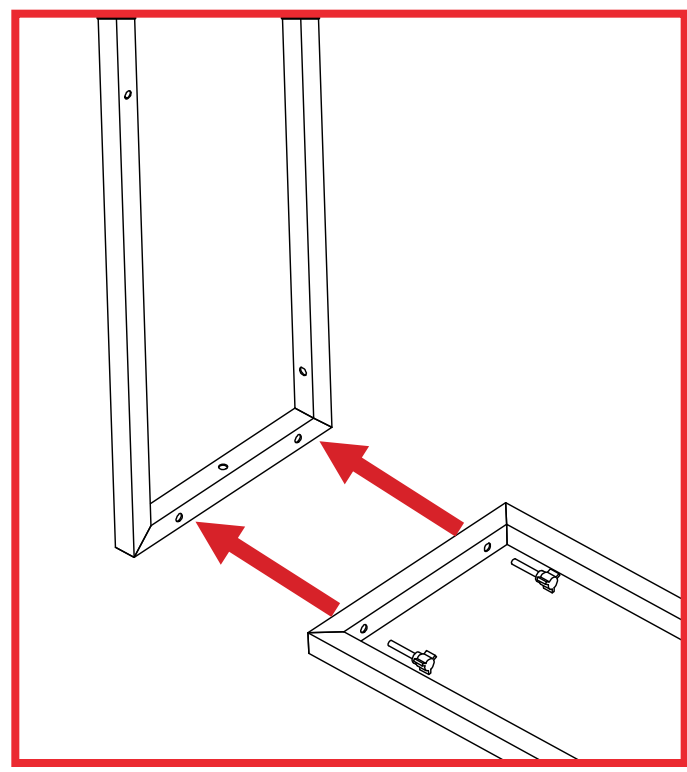
10x20 MULTIQAD®

Sheet Title

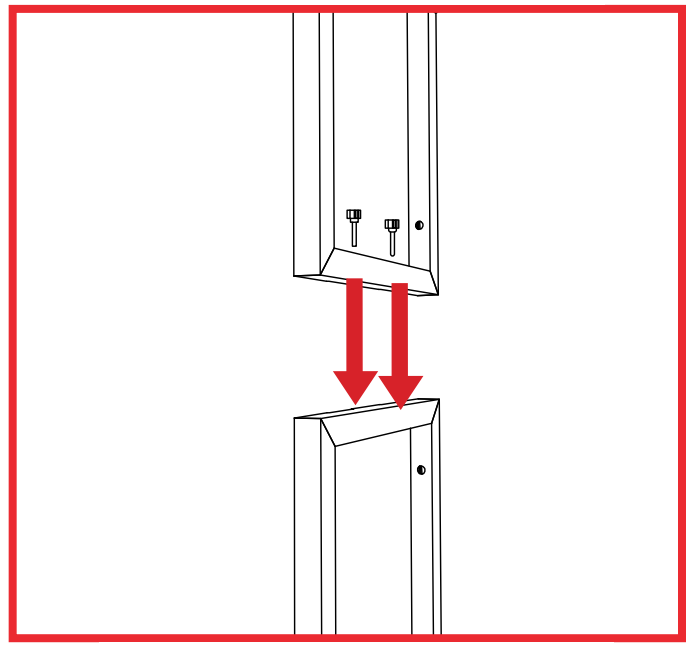
ASSEMBLY
INSTRUCTIONS
EXPLODED LAYOUT



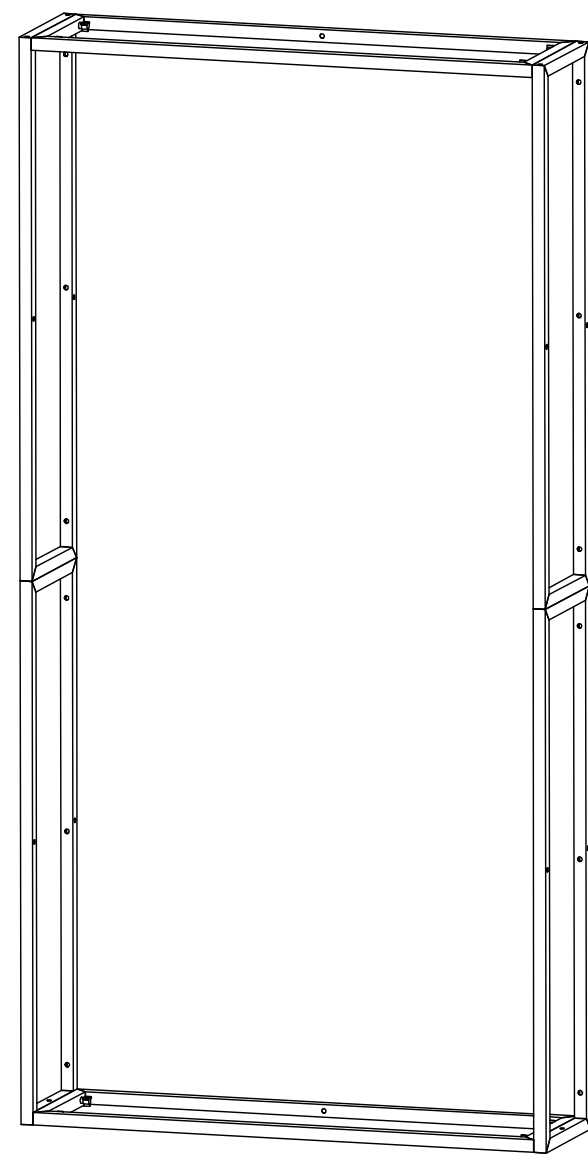
MATCH EACH NUMBER TO ITS MATE (ASSEMBLE ON FLOOR)



CORNER JOINTS 1, 3, 4, 6
(JOINED WITH RED THUMBSCREWS)



MIDDLE JOINTS 2 AND 5
(JOINED WITH RED THUMBSCREWS)



ASSEMBLED VIEW



Expo EXPO Displays
A Division of Diamond Displays International

3401 Mary Taylor Road
Birmingham, Alabama 35235
(205) 439-8200

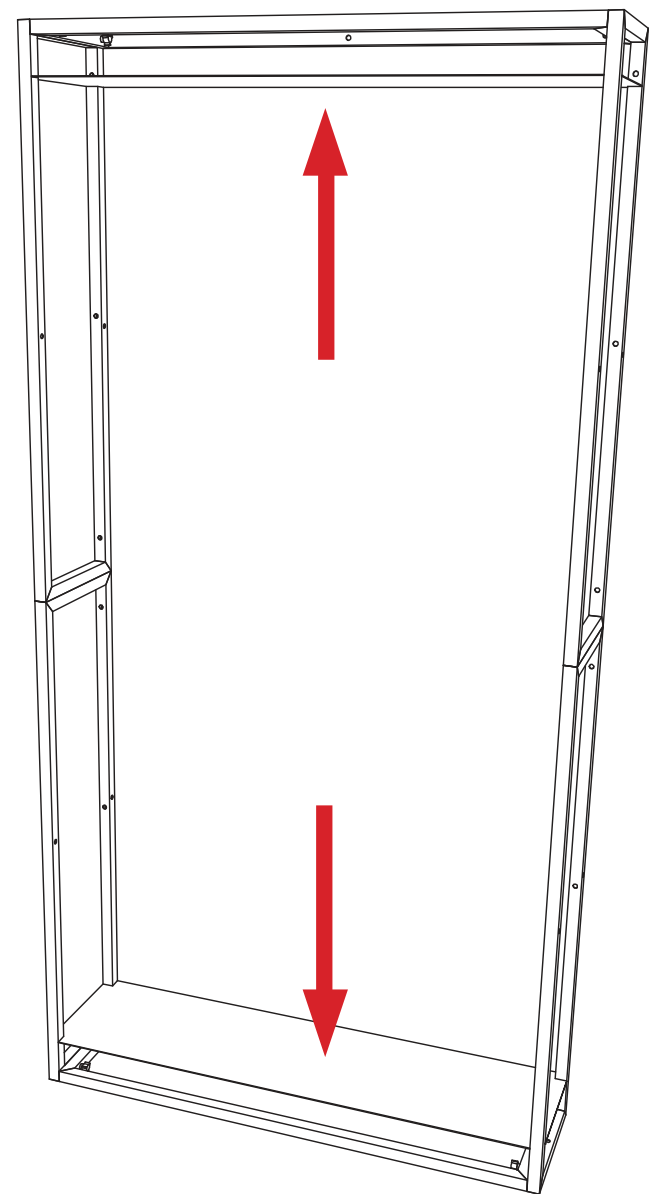
Job #: 70102

Project Title

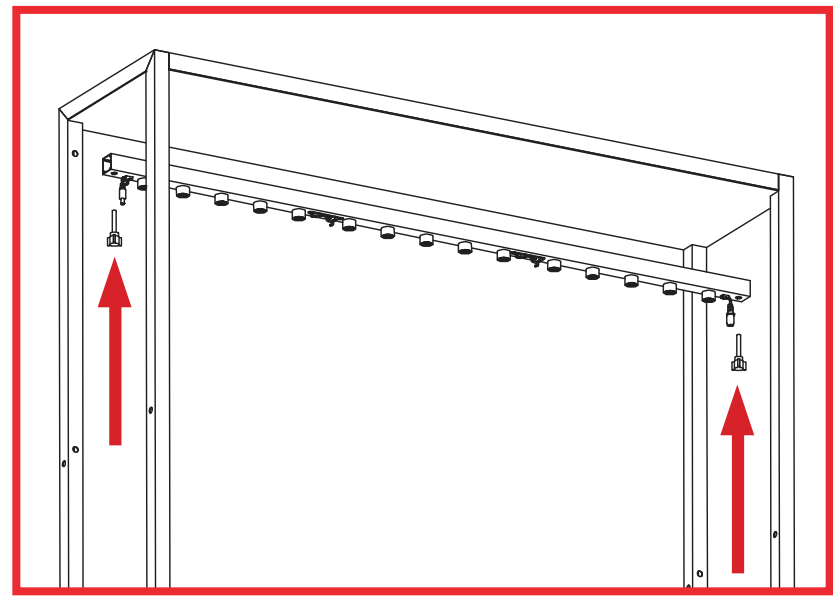
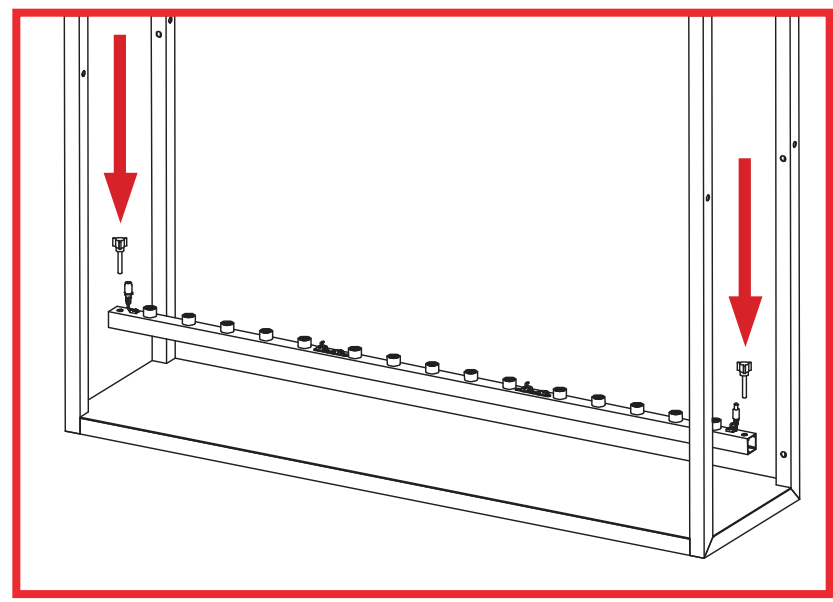
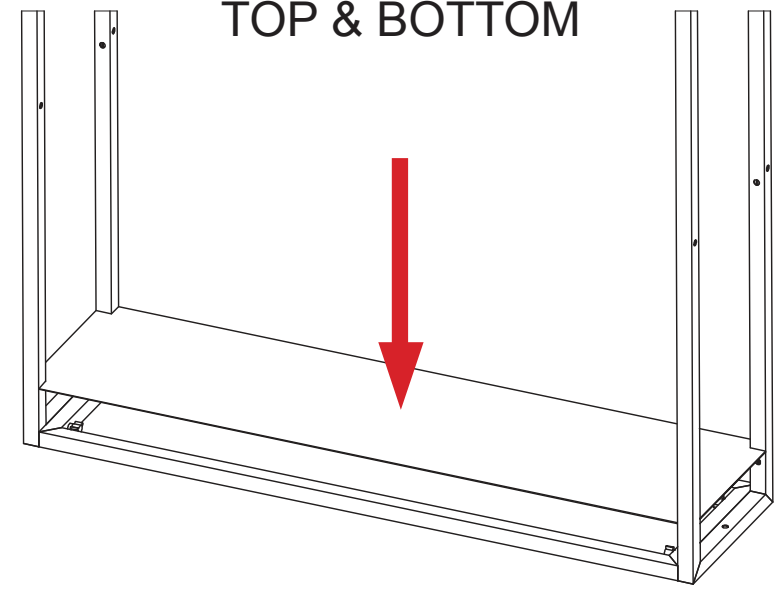
10x20 MULTIQUEAD
®

Sheet Title

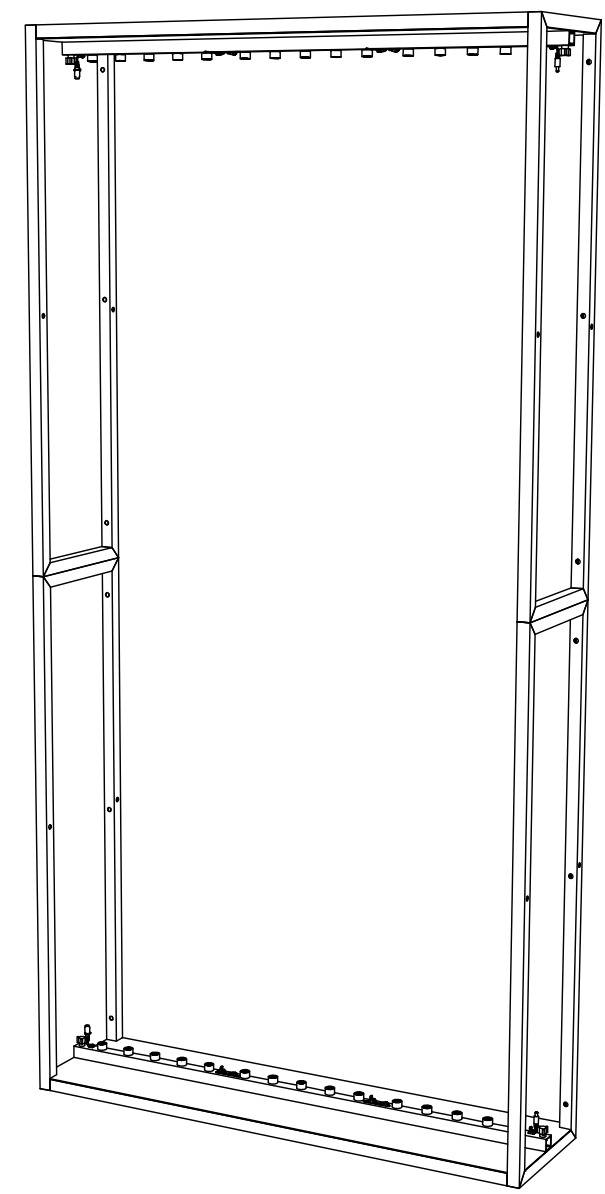
ASSEMBLY INSTRUCTIONS
EXPOLIGHT®
ASSEMBLY



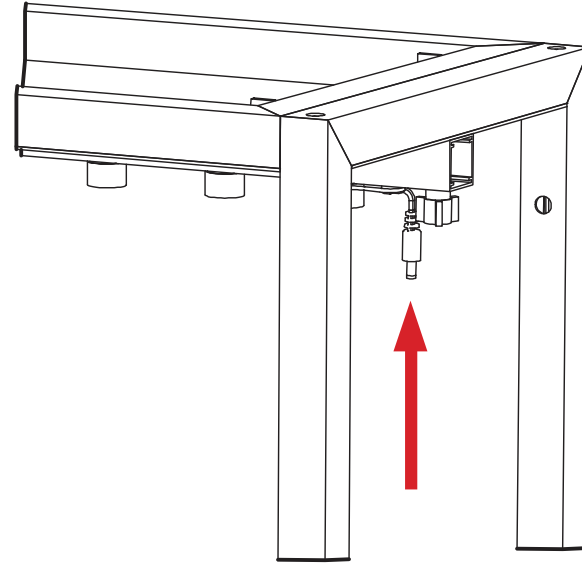
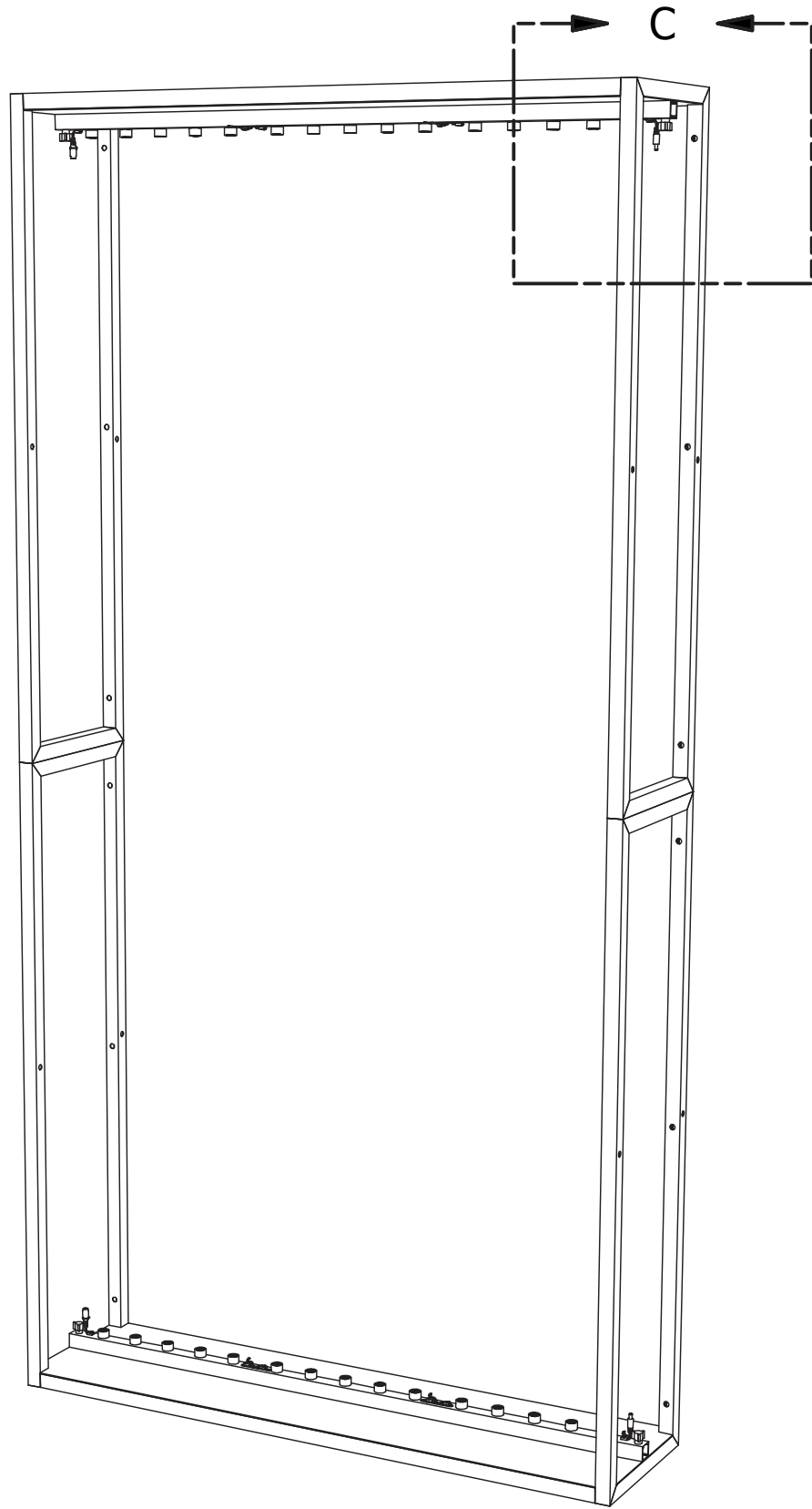
PLACE WHITE ABS ON TOP & BOTTOM



SECURE LIGHT BARS & ABS TO TOP & BOTTOM OF FRAME WITH RED THUMBSCREWS

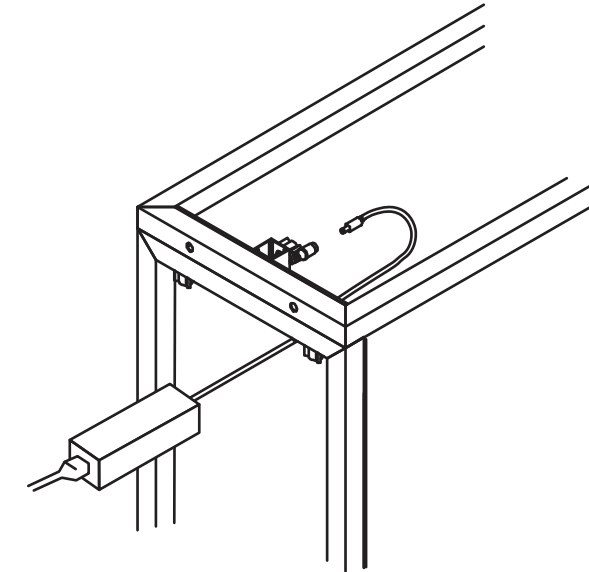


(ASSEMBLE ON FLOOR)



DETAIL C

TO POWER DAISY CHAIN LIGHTS
WITH POWER CORD COLORED
RED & BLACK



2.5 A POWER SUPPLY
ATTACHES AT BOTTOM
OF FRAME



Expo EXPO Displays
A Division of Diamond Displays International

3401 Mary Taylor Road
Birmingham, Alabama 35235
(205) 439-8200

Job #: 70102

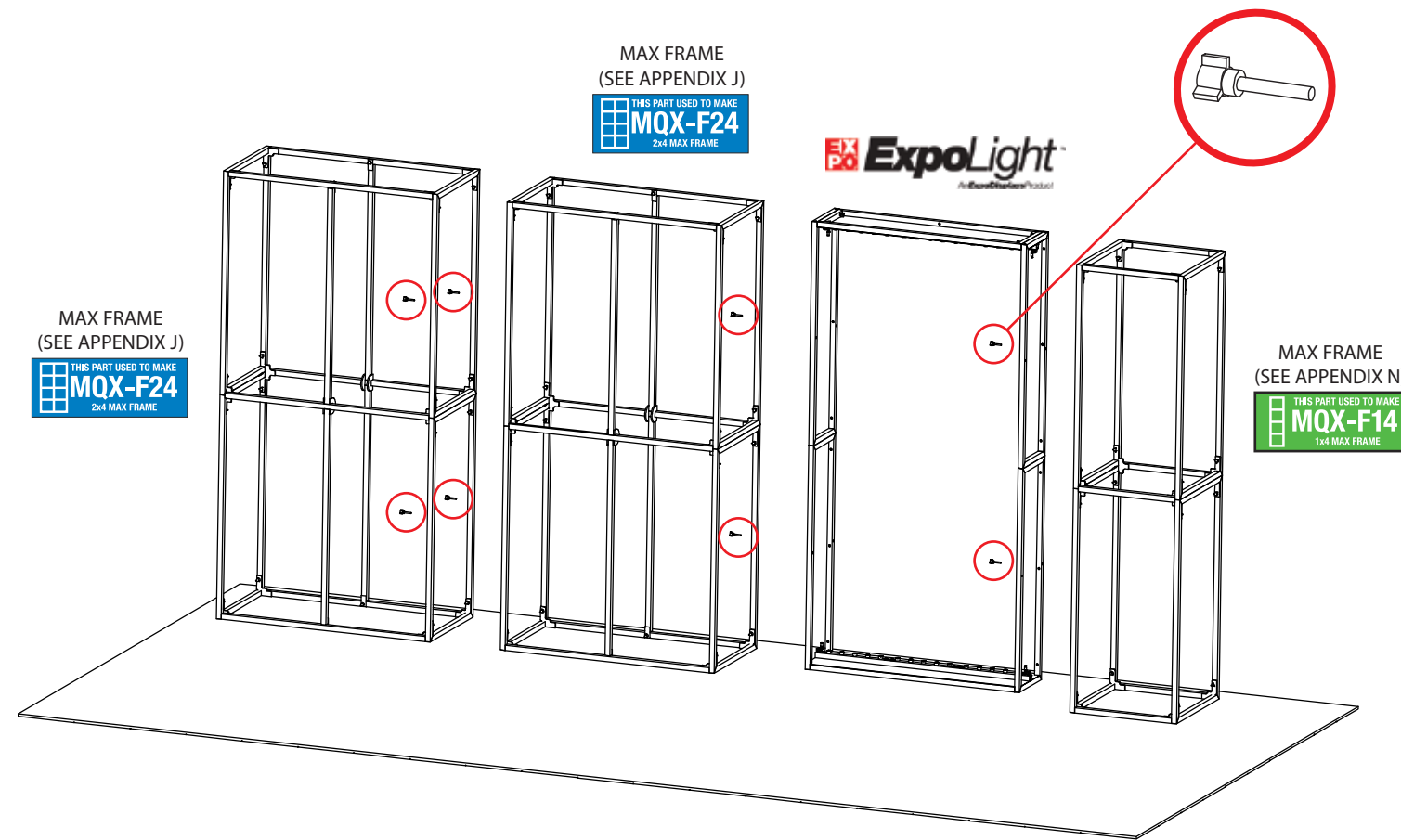
Project Title

10x20 MULTIQAD®

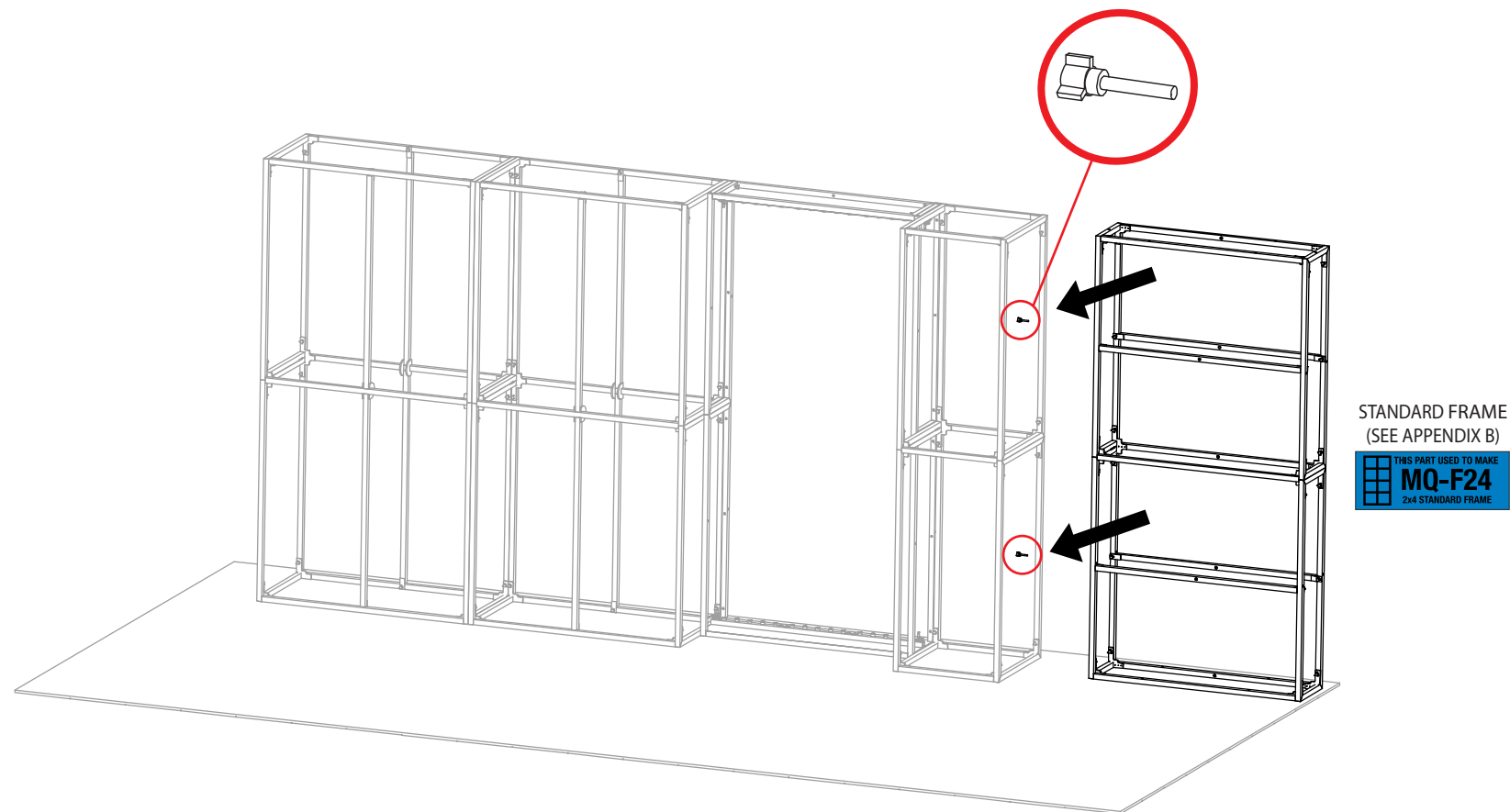
Sheet Title

**ASSEMBLY
INSTRUCTIONS**

**EXPOLIGHT®
ASSEMBLY**

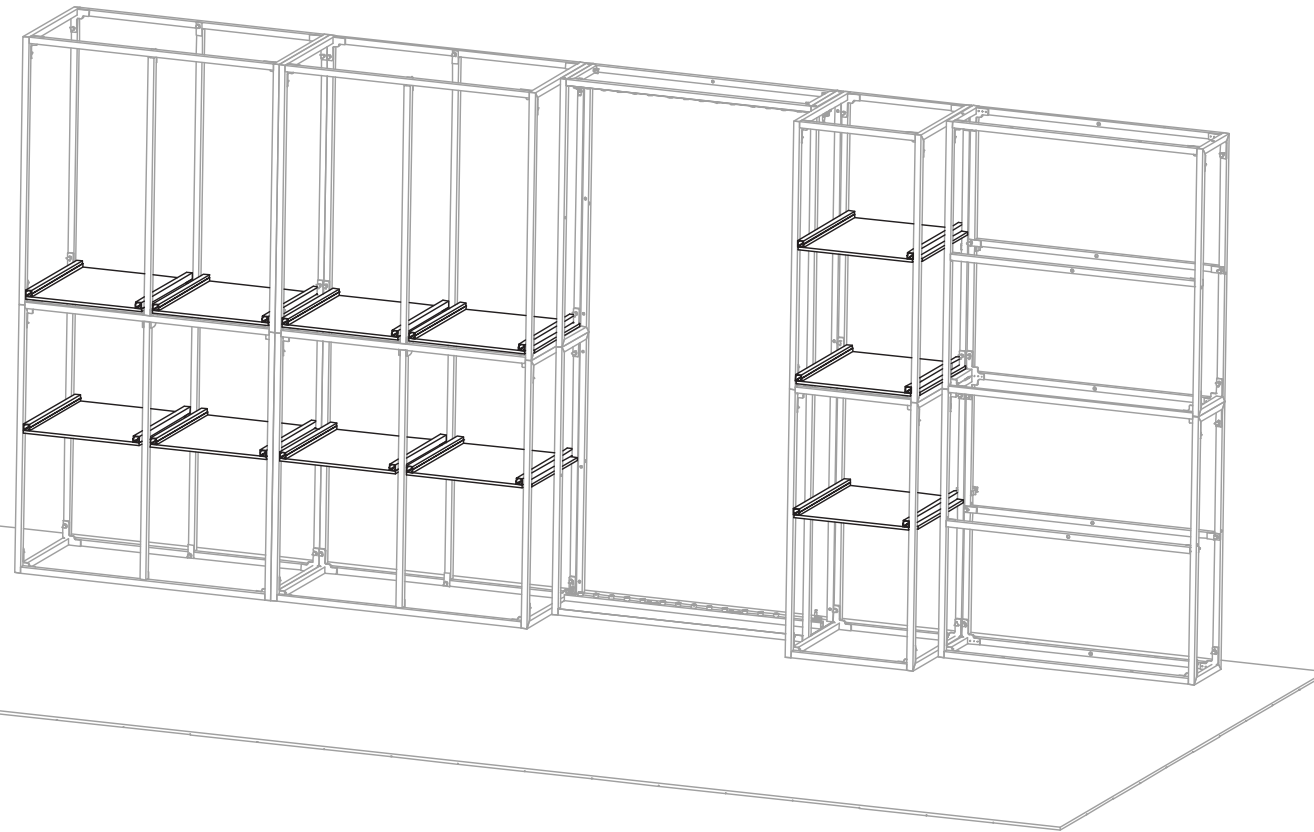


* JOIN LISTED FRAMES WITH RED THUMBSCREWS IN THREADED HOLES AS SHOWN (SEE APPENDIX A)



* PLACE SIDE GRAPHICS WITH PRE-DRILLED HOLES ON TOWER BEFORE ADDING LISTED FRAME (SEE PAGE 11)

* JOIN LISTED FRAME TO WALL WITH (2) BLACK BOLTS THROUGH SIDE GRAPHICS (SEE APPENDIX A)



* PLACE (4) 23 X 46 SHELVES
INSIDE BOTH 2 X 4 MAX TOWERS

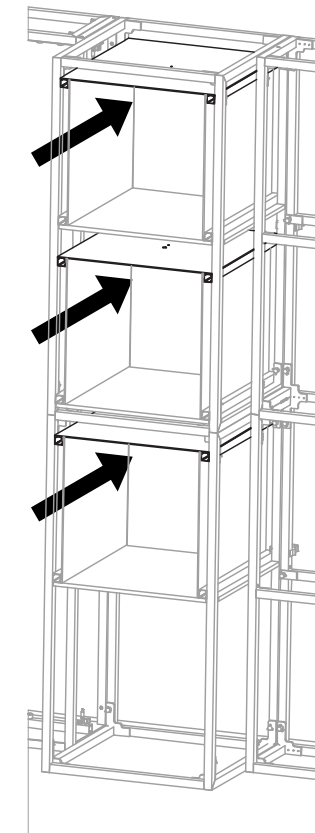
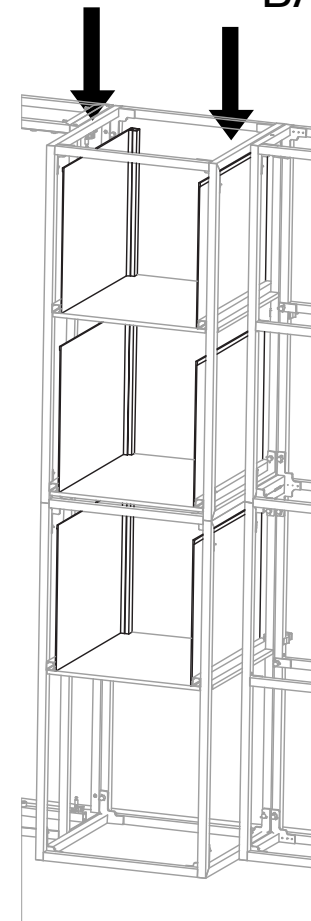
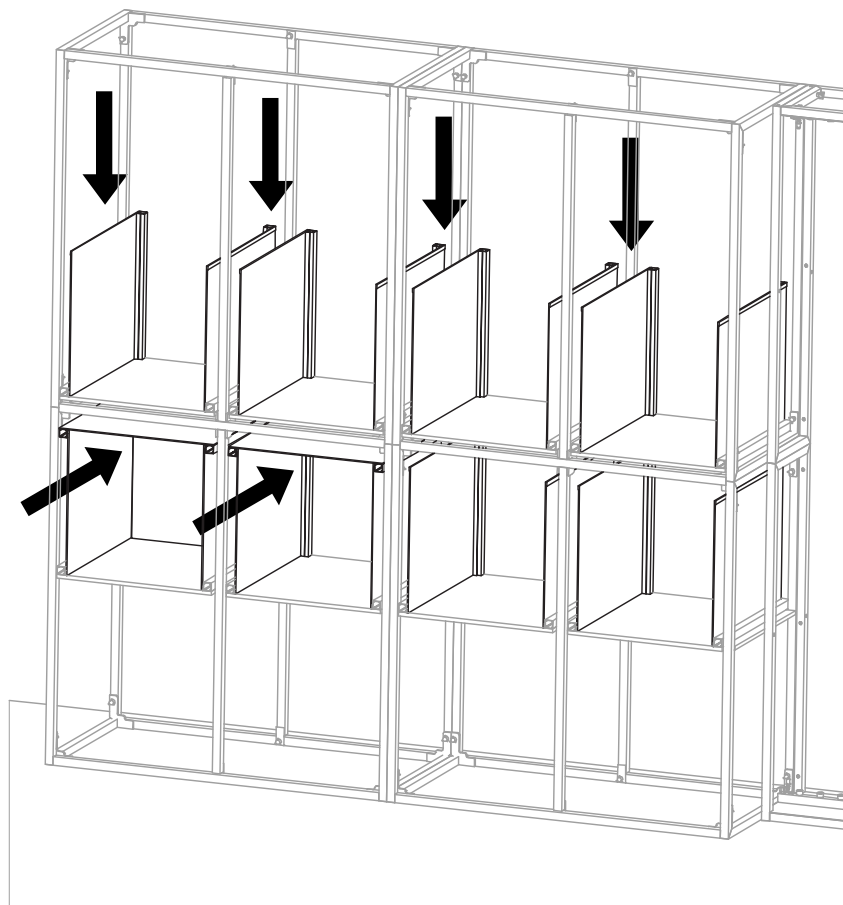
* PLACE (3) 23 X 23 SHELVES
INSIDE 1 X 4 MAX TOWER

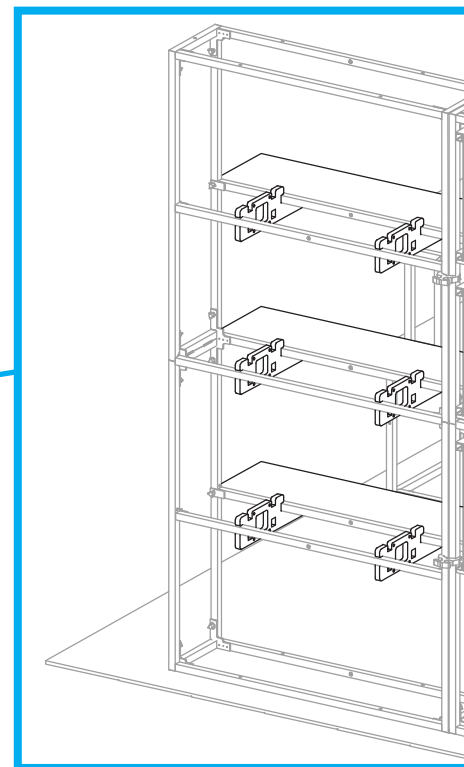
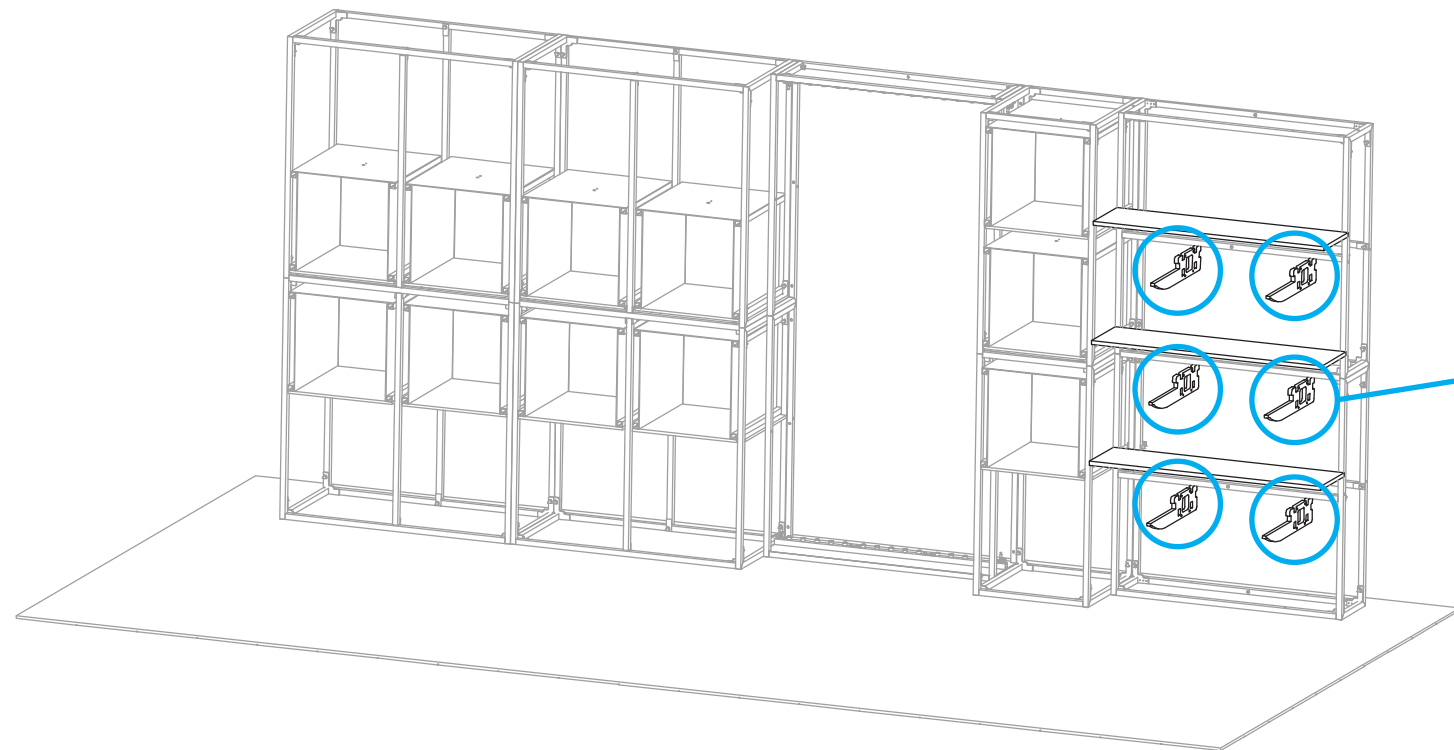
(SEE APPENDIX H-1
FOR DETAILED INFORMATION
ON ASSEMBLING SHOWCASES)

* PLACE TOP PANELS
ON TOP OF SIDE PANELS

* BACK PANELS CONNECT
FROM THE FRONT

* MATCH SIDE PANELS TO
MAGNETIC BARS ON SHELF





*** INSTALL (6) BRACKETS
ONTO HORIZONTAL BARS
AS SHOWN:
SHELVES ATTACH
WITH VELCRO**



Expo EXPO Displays
A Division of Diamond Displays International

3401 Mary Taylor Road
Birmingham, Alabama 35235
(205) 439-8200

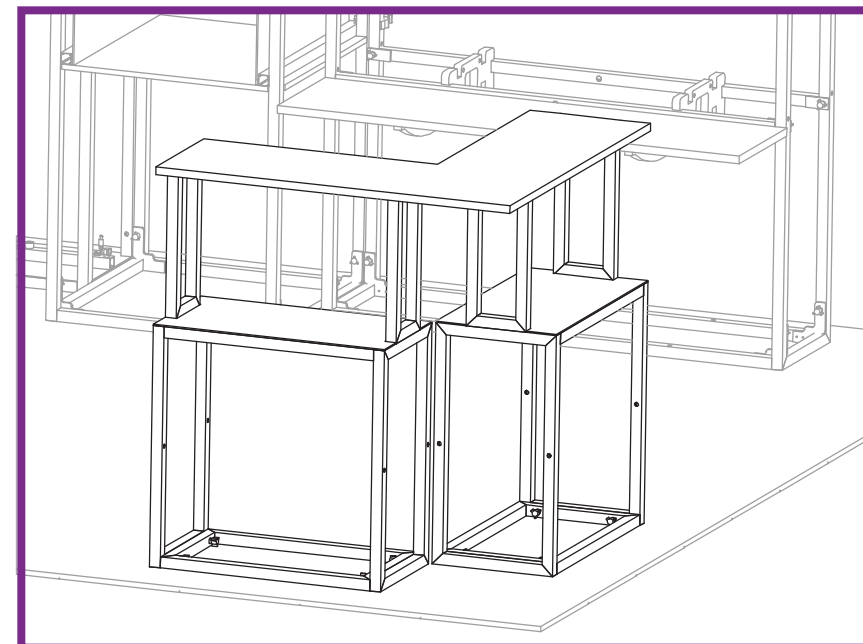
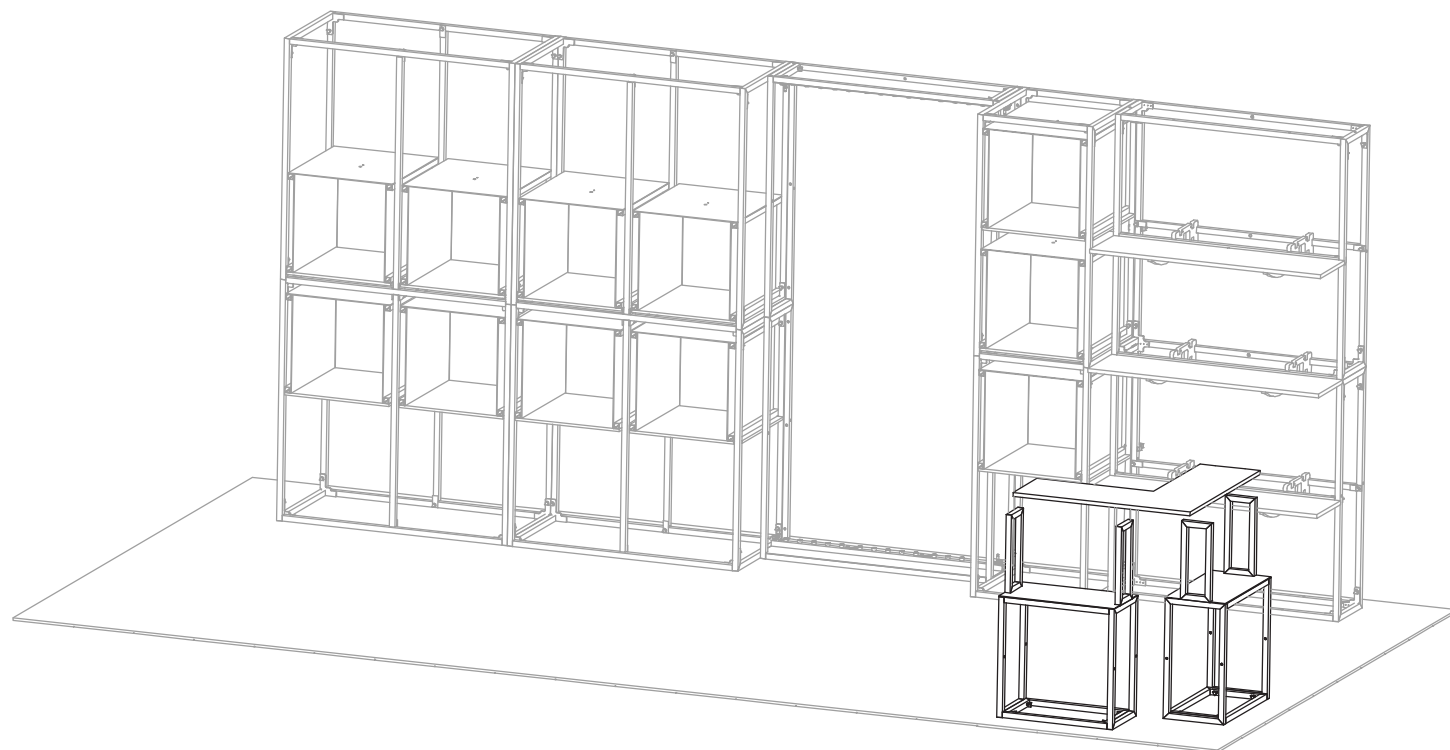
Job #: 70172

Project Title

10x20 MULTIQUAD®

Sheet Title

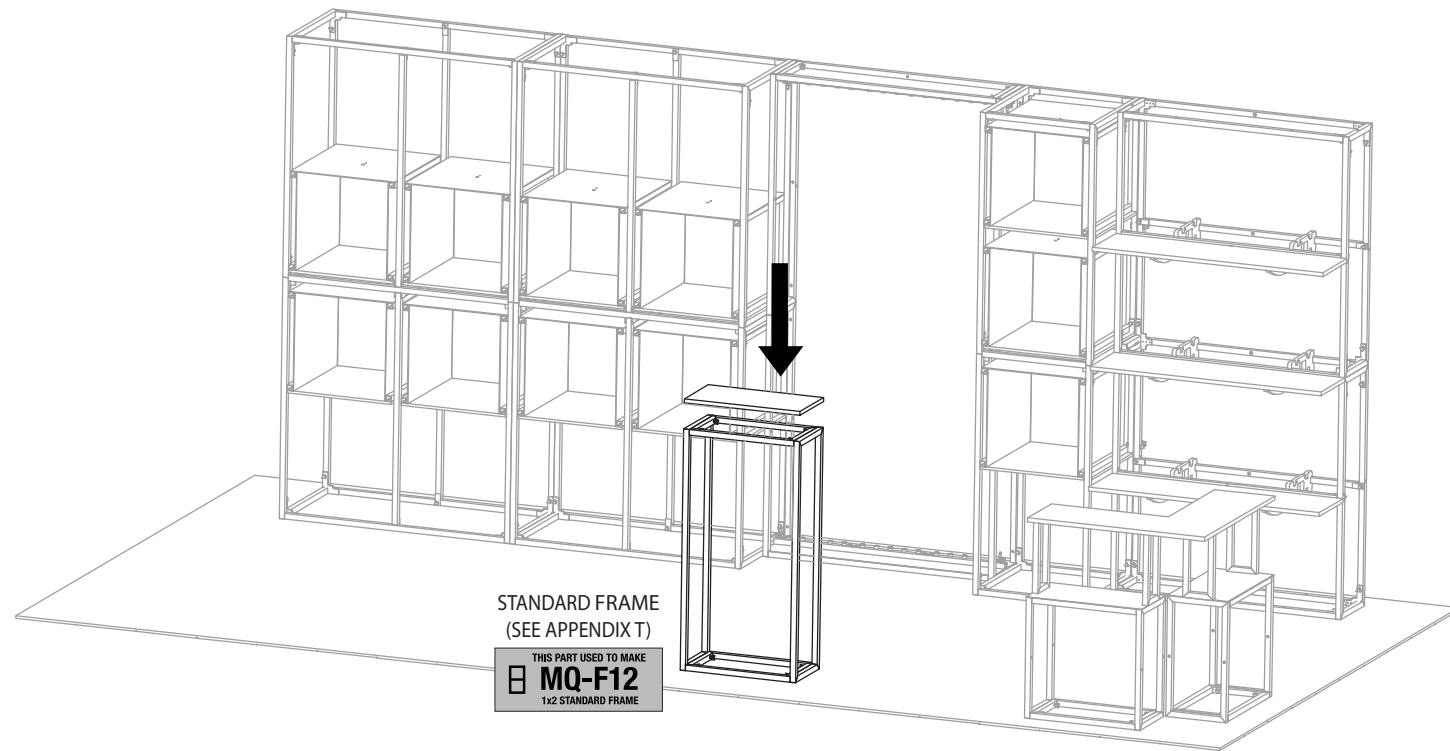
**ASSEMBLY
INSTRUCTIONS
SHELVES /
L-SHAPED PODIUM**



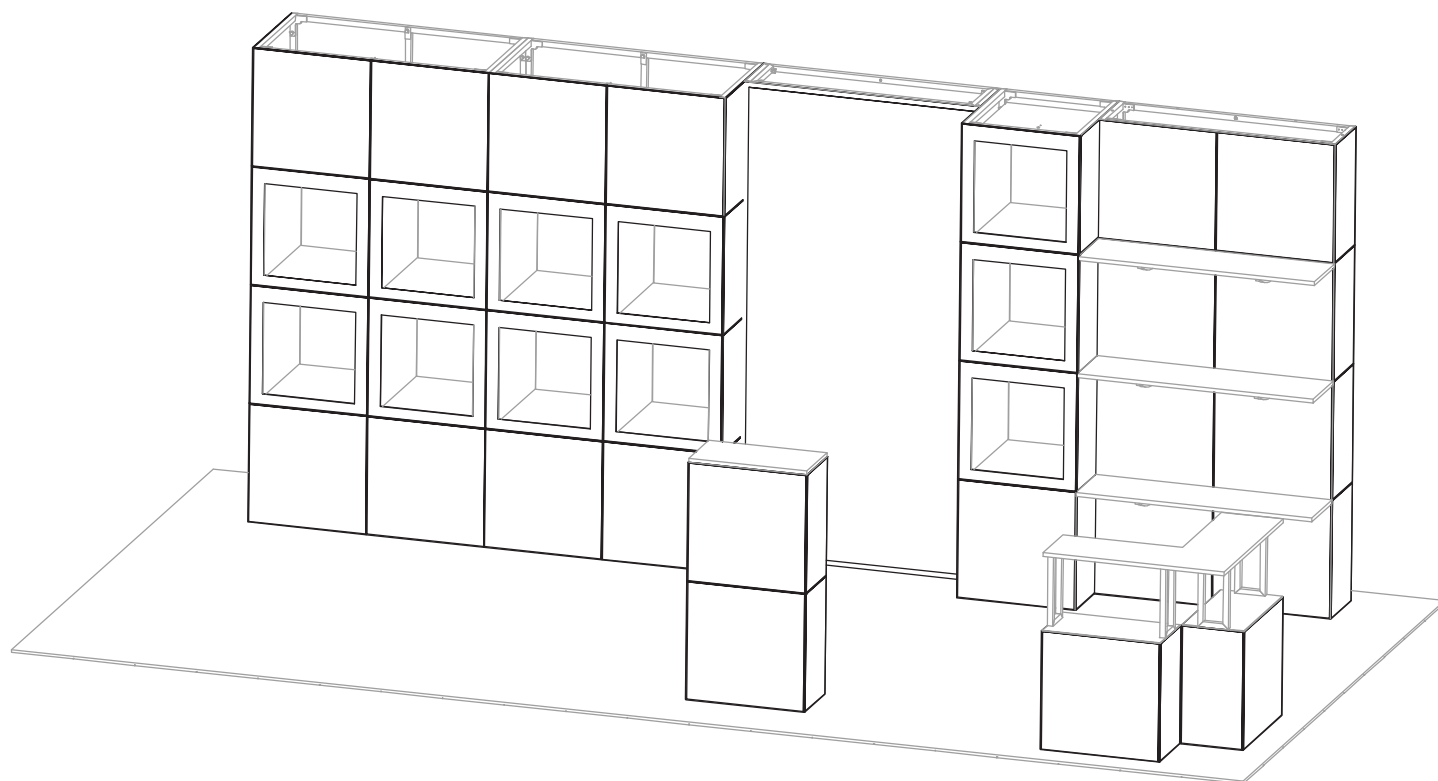
*** JOIN FRAMES LISTED WITH
L- SHAPED COUNTERTOP AS SHOWN**

THIS PART USED TO MAKE
MQ-POD1
1x1 PODIUM
STANDARD PODIUM
(SEE APPENDIX F)

THIS PART USED TO MAKE
MQ-POD1
1x1 PODIUM
STANDARD PODIUM
(SEE APPENDIX F)



* PLACE LISTED FRAME
AND COUNTERTOP IN
FLOORSPACE AS SHOWN



* USE GRAPHIC LAYOUT ON
FOLLOWING PAGE TO APPLY
QUADS TO FRAME STRUCTURE



Expo EX PO Displays®
A Division of Diamond Displays International

3401 Mary Taylor Road
Birmingham, Alabama 35235
(205) 439-8200

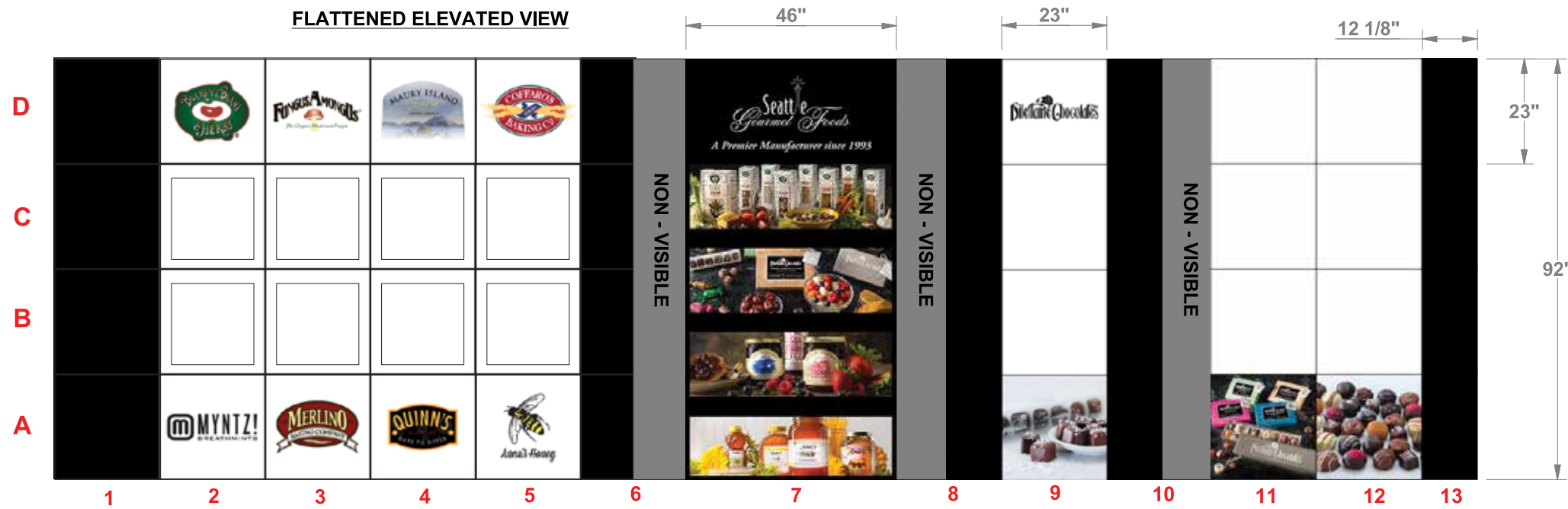
Job #: 70172

Project Title

10x20 MULTIQAD®

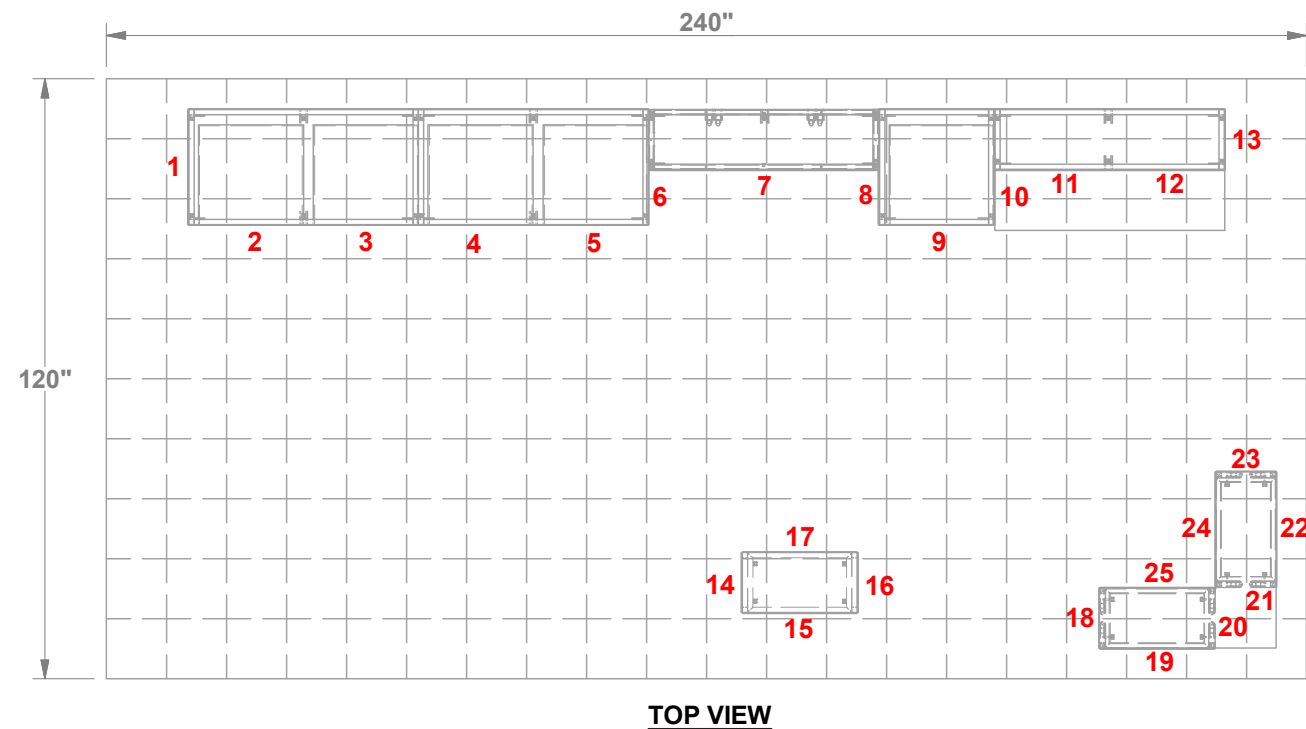
Sheet Title

**ASSEMBLY
INSTRUCTIONS
DESIRED LAYOUT**



PARTS LIST :

QTY	SIZE	NAME
41	23 X 23	STANDARD QUAD
12	12.125 X 23	SIDE QUAD
11	23 X 23	SHOWCASE QUAD
1	46 X 92	BACKLIT GRAPHIC



Expo EXPO Displays®
A Division of Diamond Displays International

3401 Mary Taylor Road
Birmingham, Alabama 35235
(205) 439-8200

Job #: 70172

Project Title

10x20 MULTIQAD®

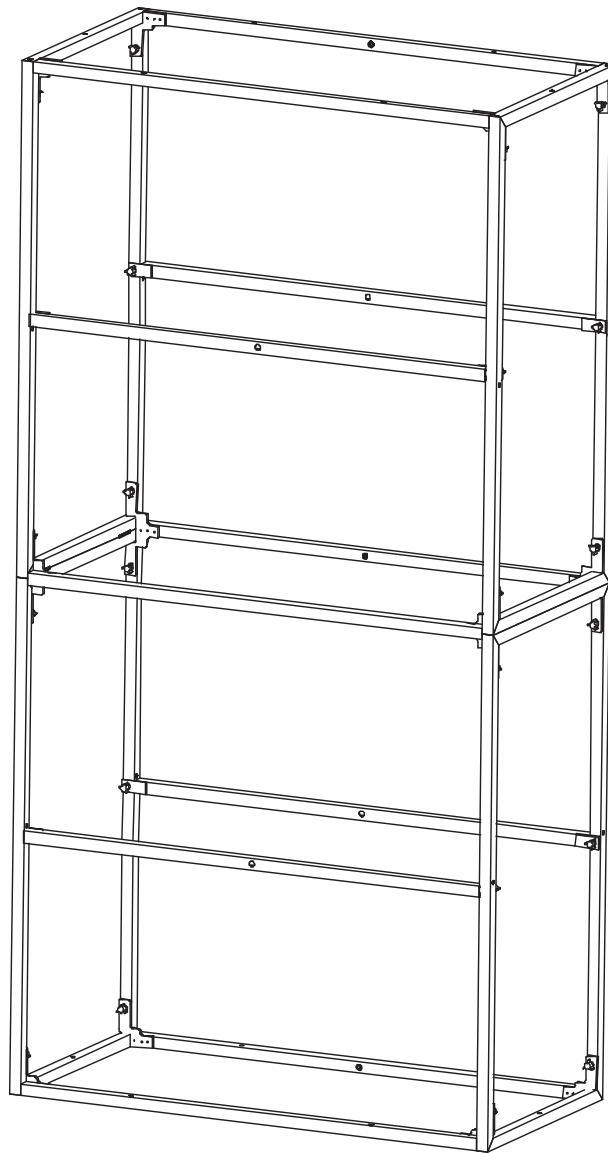
Sheet Title

ASSEMBLY INSTRUCTIONS

GRAPHIC LAYOUT

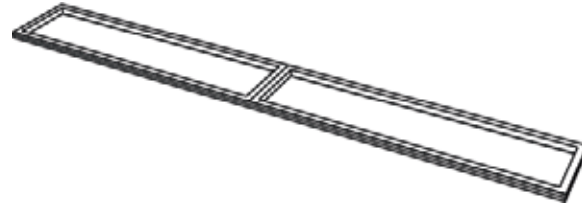
PARTS LIST:

#	LABEL	NAME
1	LVH1	LEFT VERTICAL HINGED
1	RVH1	RIGHT VERTICAL HINGED
2	BH1	BOTTOM HORIZONTAL
2	MH1	MIDDLE HORIZONTAL
2	TH1	TOP HORIZONTAL
4	CVH2	CENTER VERTICAL HINGED
24	GRN	1" THUMB SCREWS
4	RED	2" THUMB SCREWS



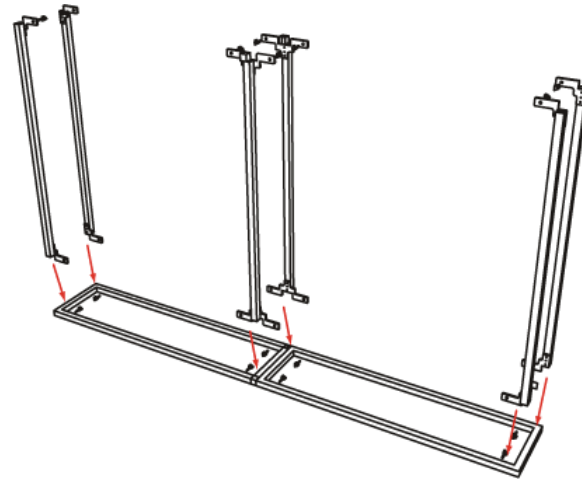
1st Step)

START WITH THE LEFT VERTICAL HINGE (LVH1)
ON THE GROUND



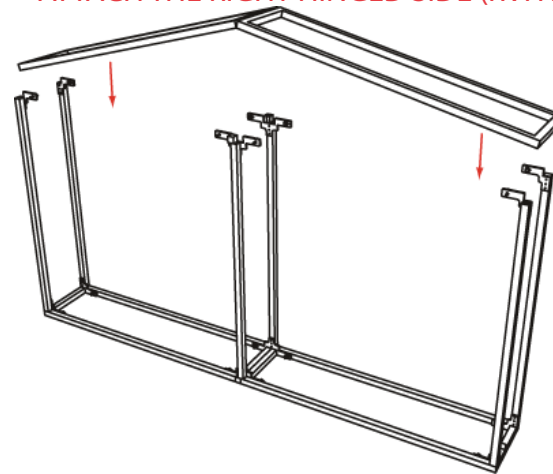
2nd Step)

ATTACH (2) TOP HORIZONTAL (TH1),
(2) MIDDLE HORIZONTAL (MH1),
(2) BOTTOM HORIZONTAL (BH1)



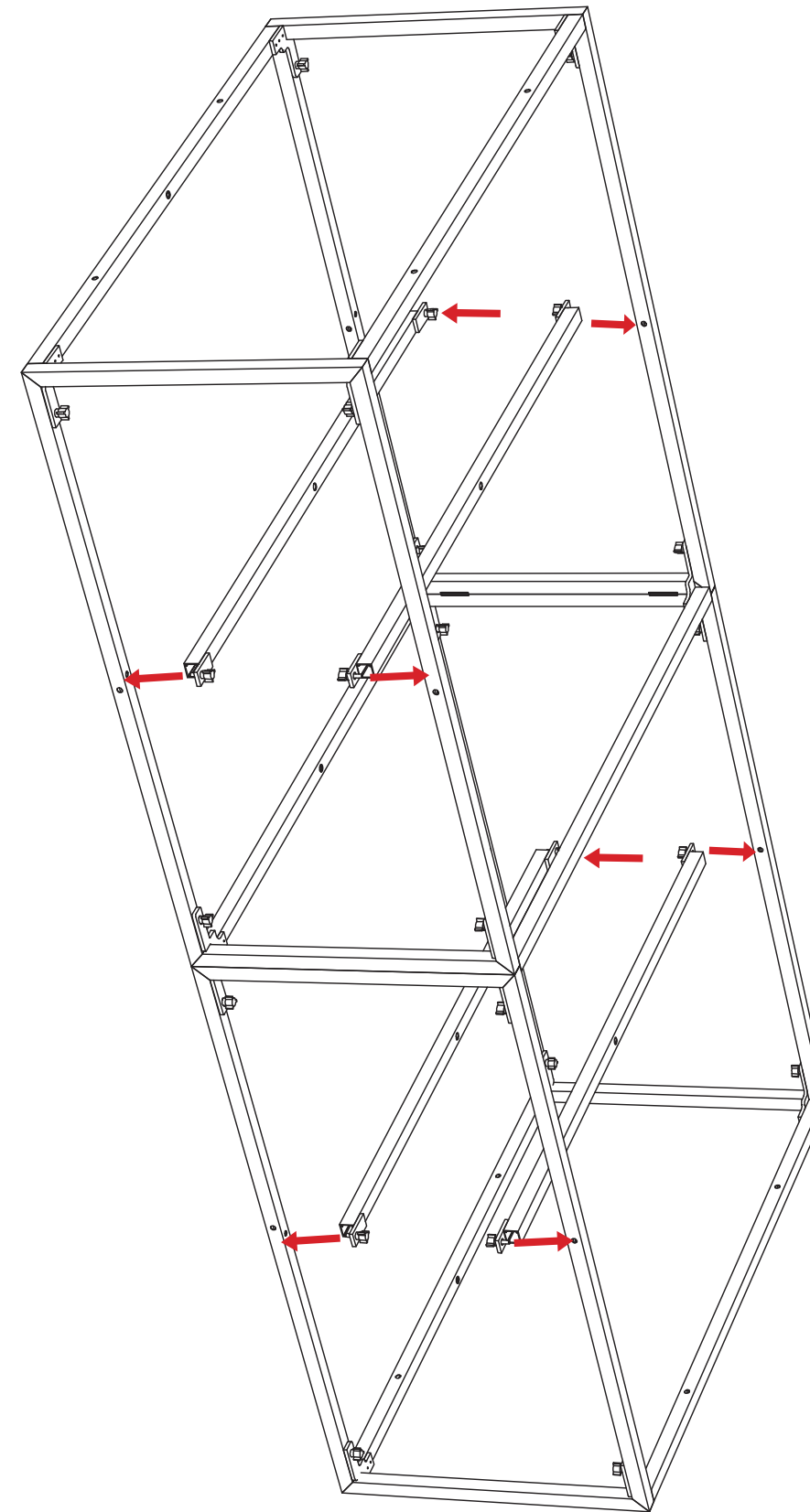
3rd Step)

ATTACH THE RIGHT HINGED SIDE (RVH1)



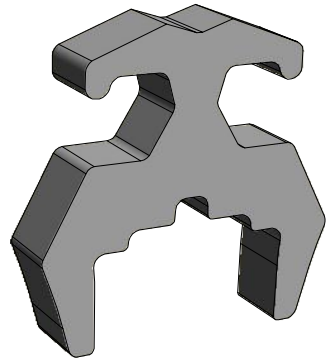
4th Step)

ATTACH THE (4) CENTER VERTICAL HALF (CVH2)

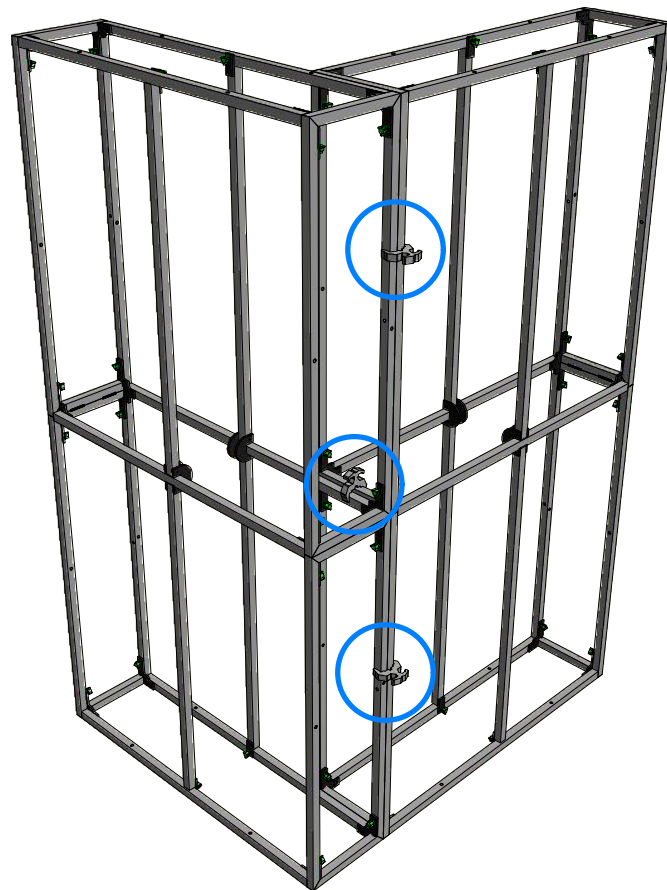


**FRAME CLAMP INSTRUCTION
MQ-CLMP**

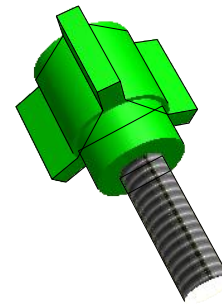
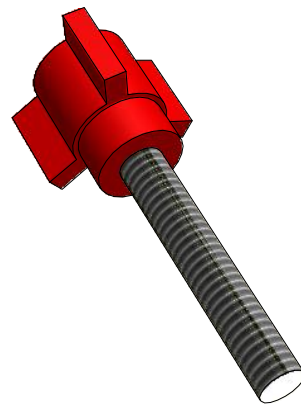
(NOT REQUIRED IN EVERY CONFIGURATION)



THE MQ-CLMP IS A FRICTION-FIT CONNECTOR / ALIGNMENT TOOL THAT DOES NOT REQUIRE TOOLS. THEY ARE TO BE USED IN ABNORMAL MULTIQUAD FRAME CONFIGURATIONS OR AS ADDITIONAL FRAME SECURITY IN SPECIAL SITUATIONS



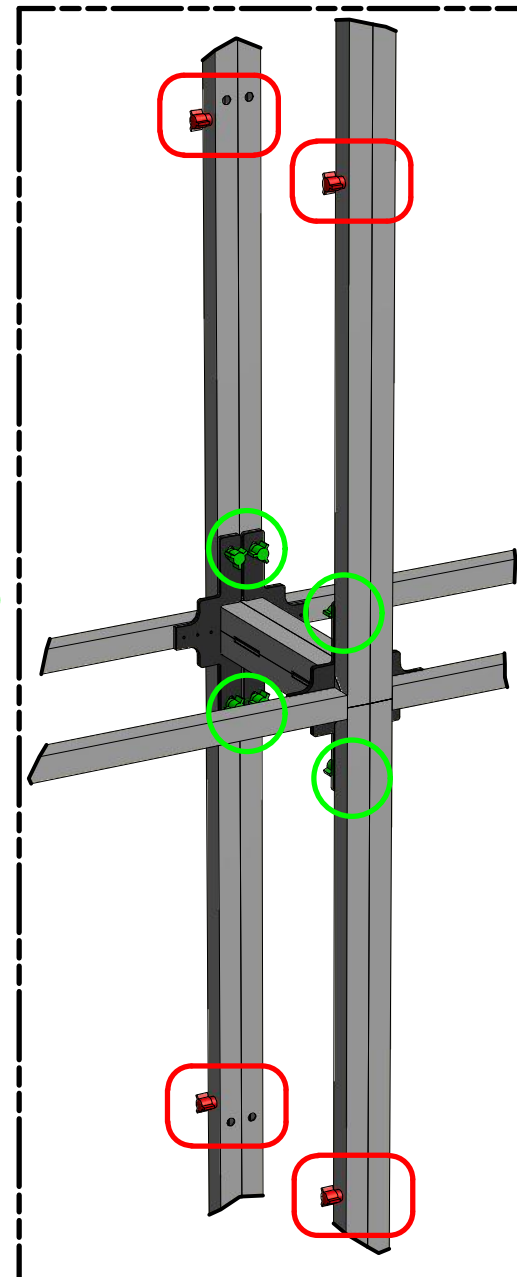
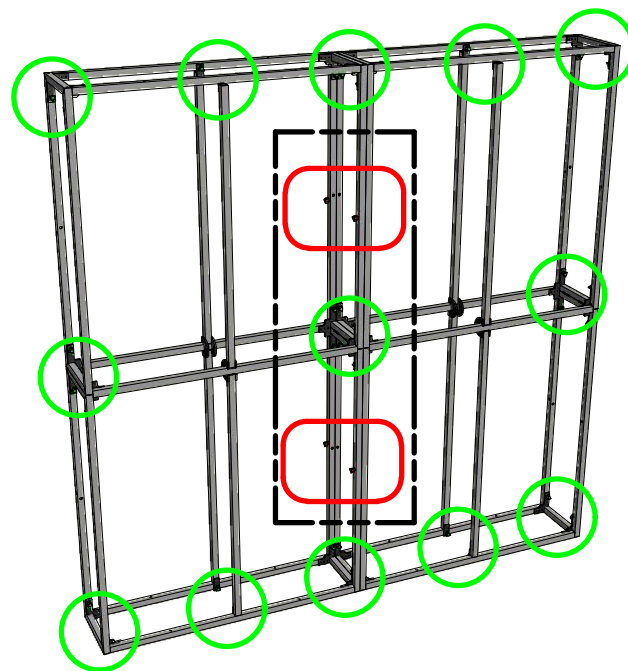
**THUMB SCREW INSTRUCTION
MQ-TSR2 / MQ-TSG1**



THE 2" RED THUMB SCREW IS USED TO CONNECT MULTIQUAD FRAMES TO OTHER MULTIQUAD FRAMES. EACH FRAME HAS RIVET NUT ON ONE SIDE AND A HOLE ON THE OTHER TO ALLOW FRAME TO FRAME CONNECTION

THE 1" GREEN THUMB SCREWS ARE USED WHEN ASSEMBLING 1x4 AND 2x4 FRAMES. SEE APPENDIX PAGES

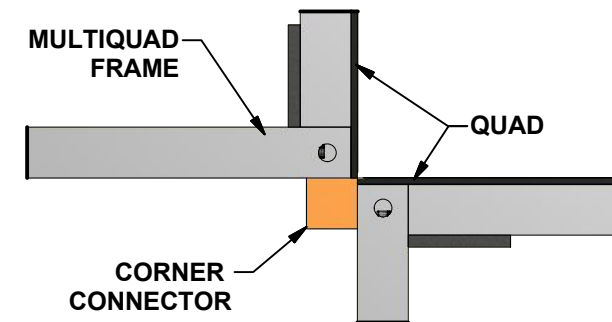
DUE TO THE RIVET NUTS, ALL FRAMES HAVE A LEFT AND RIGHT SIDE. VERIFY FRAME ORIENTATION TO ALLOW FRAME TO FRAME CONNECTION



**CORNER CONNECTOR INSTRUCTION
MQ-BTW**

(NOT REQUIRED IN EVERY CONFIGURATION)

THE MQ-BTW CORNER ALIGNMENT TOOL IS DESIGNED TO AID IN THE ALIGNMENT OF FRAMES AS NEEDED IN SOME MULTIQUAD CONFIGURATIONS.



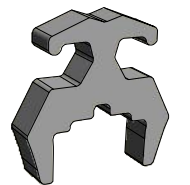
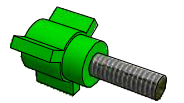
AFTER TWO MULTIQUAD FRAMES ARE SET "CORNER-TO-CORNER" THE MQ-BTW SIMPLY ATTACHES TO THE EXISTING MAGNETS ON THE FRAME



Expo Displays

3401 Mary Taylor Road
Birmingham, Alabama 35235
(205) 439-8200

Drawn By: AKHIII



**ASSEMBLY
INSTRUCTIONS**

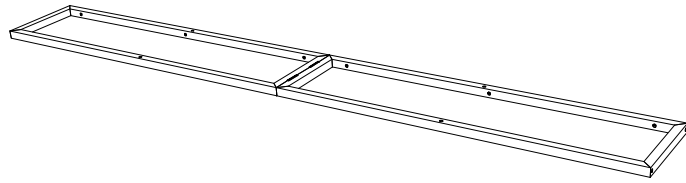
CONNECTORS & ALIGNMENT TOOLS

APPENDIX A

PARTS LIST		
QNTY	LABEL	NAME
1	LVH1	LEFT VERTICAL HINGED
1	RVH1	RIGHT VERTICAL HINGED
2	BH1	BOTTOM HORIZONTAL
2	MH1	MIDDLE HORIZONTAL
2	TH1	TOP HORIZONTAL
2	CVH1	CENTER VERTICAL HINGED
2	GRN	1" GREEN THUMB SCREW
4	RED	2" RED THUMB SCREW

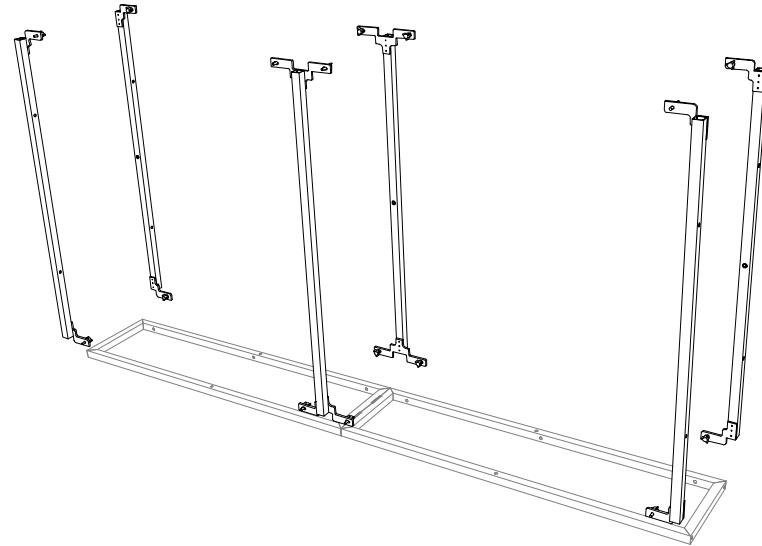
1st S

START WITH THE LEFT VERTICAL HINGED (LVH1) ON THE GROUND



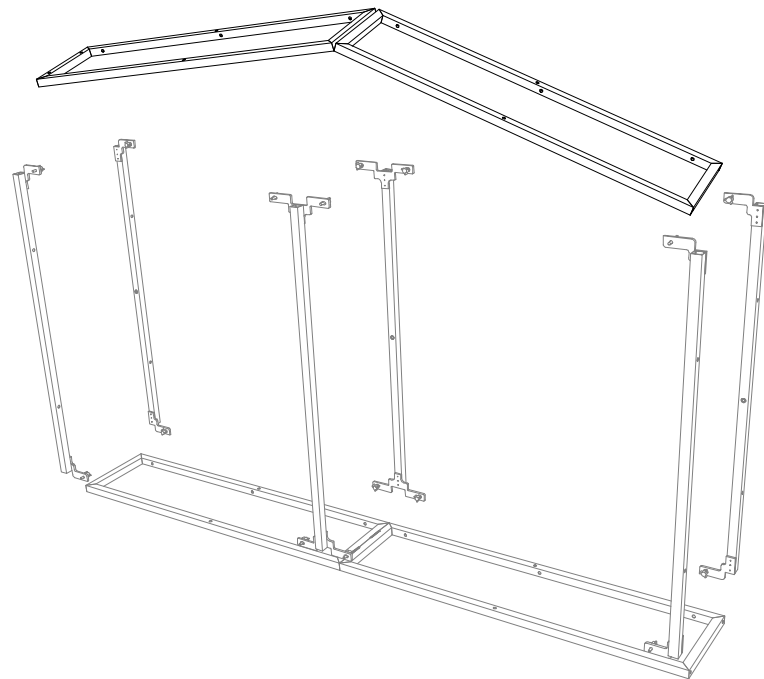
2nd S

ATTACH THE (2) TOP HORIZONTAL (TH1), THE (2) MIDDLE HORIZONTAL (MH1), AND THE (2) BOTTOM HORIZONTAL (BH1)



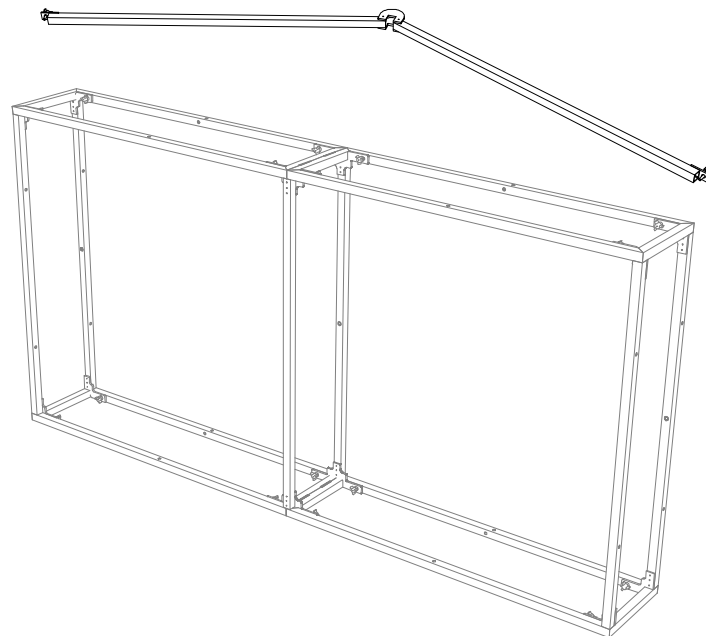
3rd S

ATTACH THE RIGHT HINGED SIDE (RVH1)

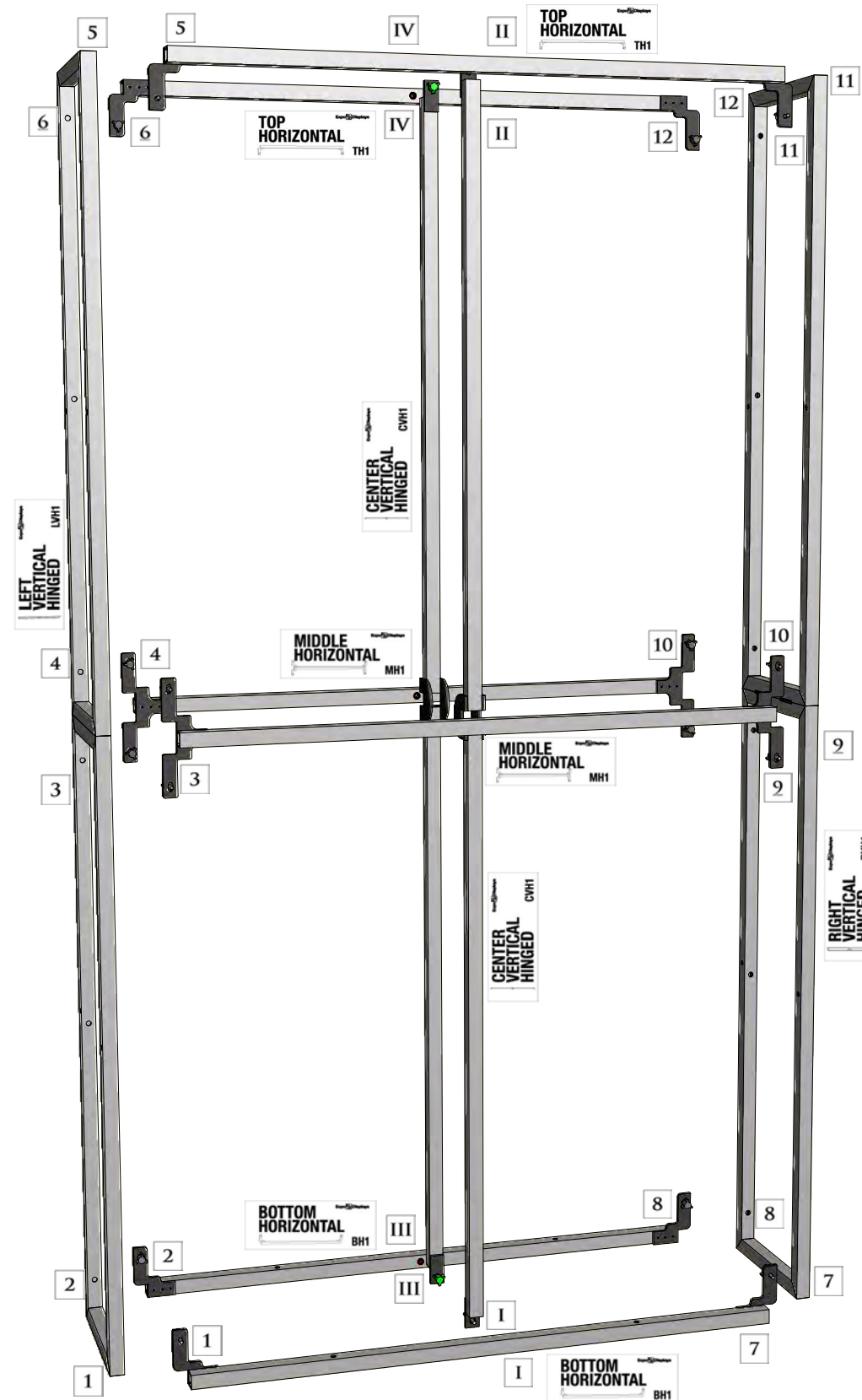


4th S

ATTACH THE (2) CENTER VERTICAL HINGED (CVH1) AND STAND UP-RIGHT



MATCH NUMBERS TO CONSTRUCT



Expo Displays

3401 Mary Taylor Road
Birmingham, Alabama 35235
(205) 439-8200

Drawn By: AKHIII

THIS PART USED TO MAKE
MQ-F24
2x4 STANDARD FRAME

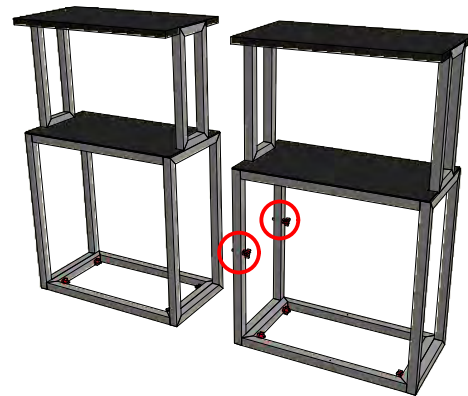
ASSEMBLY INSTRUCTIONS
2x4 STANDARD FRAME
MQ-F24

APPENDIX B

PARTS LIST		
QNTY	LABEL	NAME
1	LVP1	LEFT VERTICAL RECTANGLE
1	RVP1	RIGHT VERTICAL RECTANGLE
1	BHR2	BOTTOM HORIZONTAL RECT.
1	THR2	TOP HORIZONTAL RECT.
1	SSPOD1	SHELF
1	CTPOD1	PODIUM COUNTER TOP
12	RED	2" RED THUMB SCREW

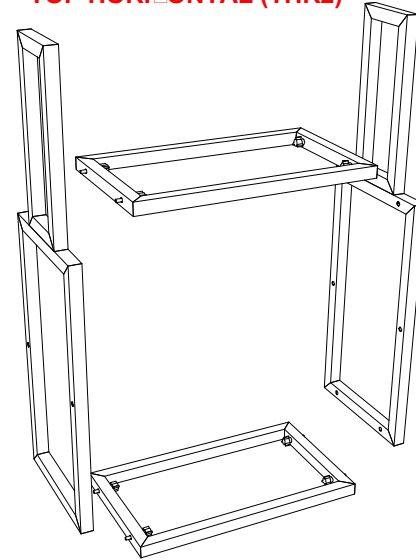
Multiple Podiums

ATTACH MULTIPLE PODIUMS BY RUNNING THE 2" RED THUMBSCREWS THROUGH THE OPEN HOLES OF ONE PODIUM INTO THE THREADED INSERTS OF ANOTHER



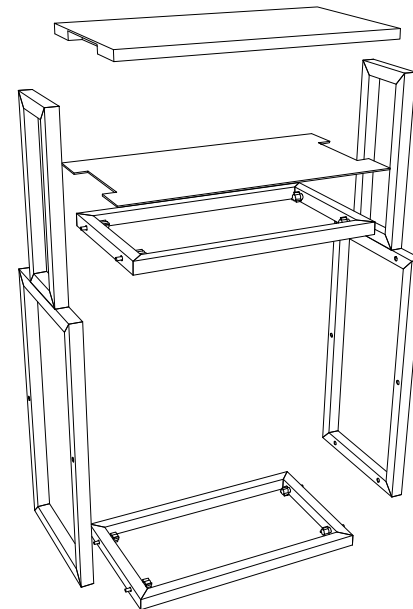
1st Step

START WITH THE BOTTOM HORIZONTAL (BHR2) ON THE GROUND. ATTACH THE LEFT VERTICAL (LVP1), AND THE RIGHT VERTICAL (RVP1). THEN ATTACH THE TOP HORIZONTAL (THR2)

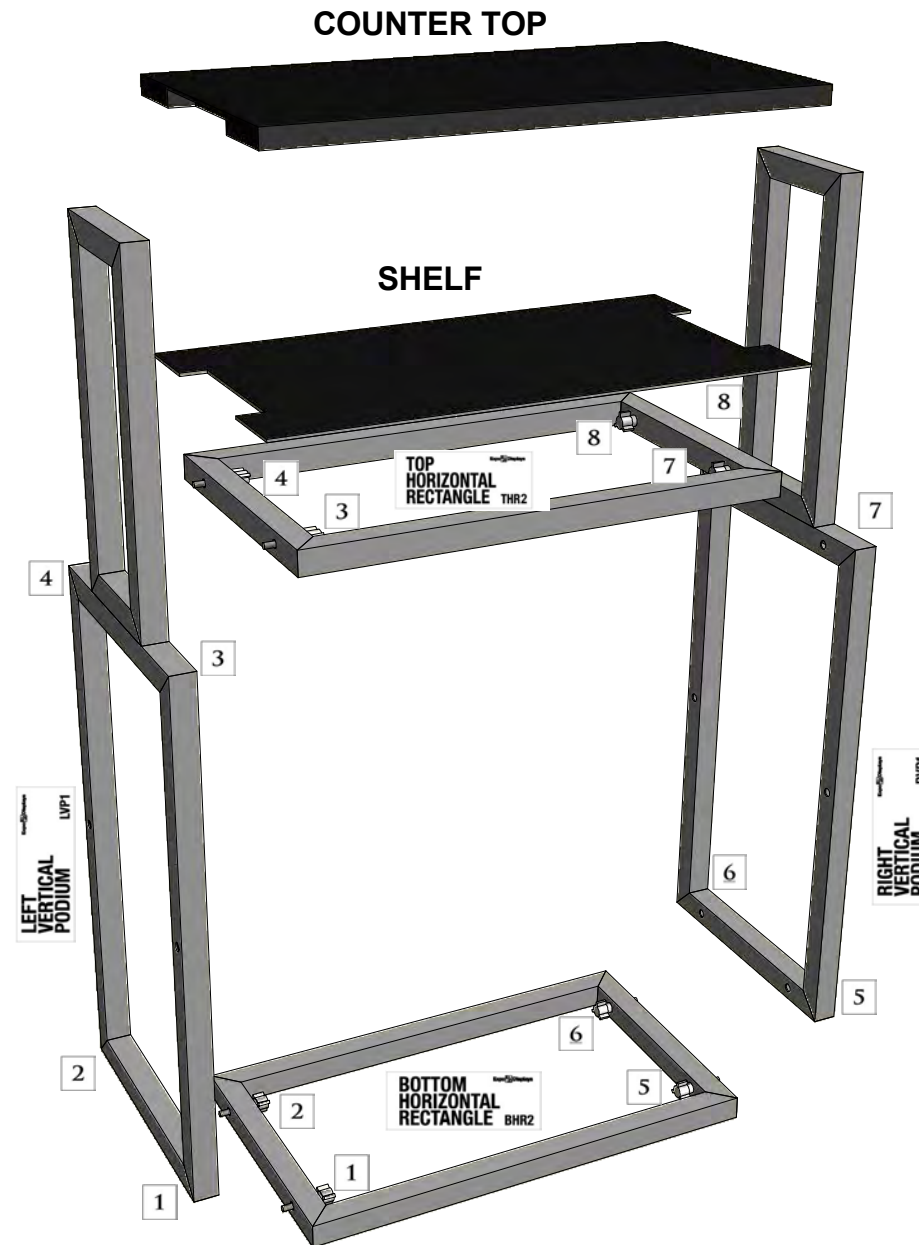


2nd Step

ATTACH THE PODIUM COUNTERTOP AND THE PODIUM SHELF



MATCH NUMBERS TO CONSTRUCT



Expo Displays

3401 Mary Taylor Road
Birmingham, Alabama 35235
(205) 439-8200

Drawn By: AKHIII

THIS PART USED TO MAKE
MQ-POD1
1x1 PODIUM

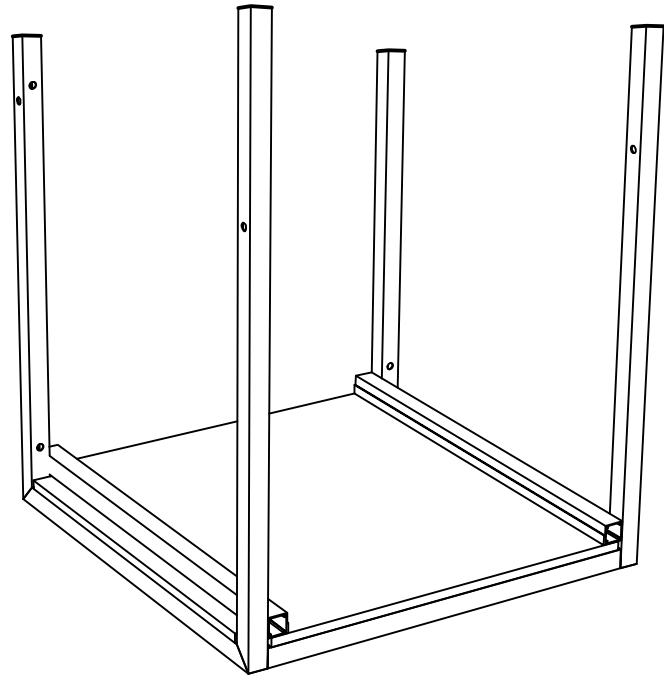
ASSEMBLY INSTRUCTIONS

1x1 STAND
MQ-POD1

APPENDIX F

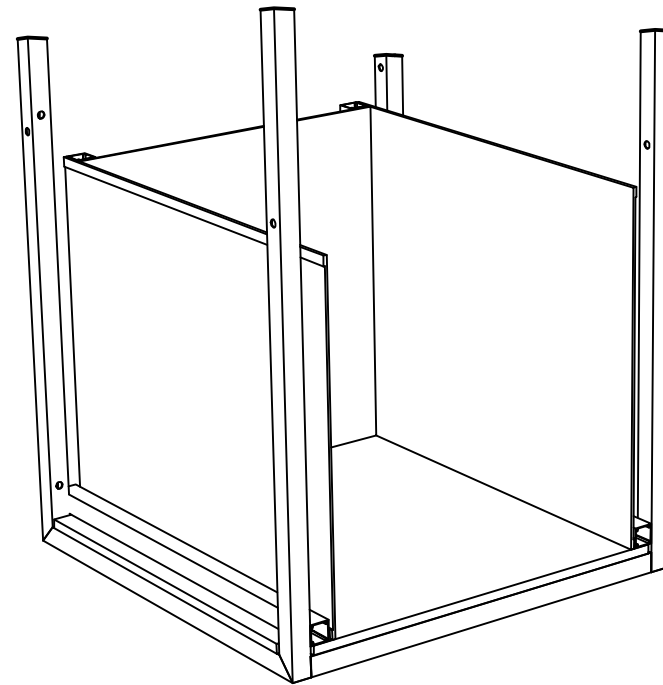
1st Step)

START WITH PLACING SHELF IN PROPER LOCATION OF MULTIQUAD FRAMING.



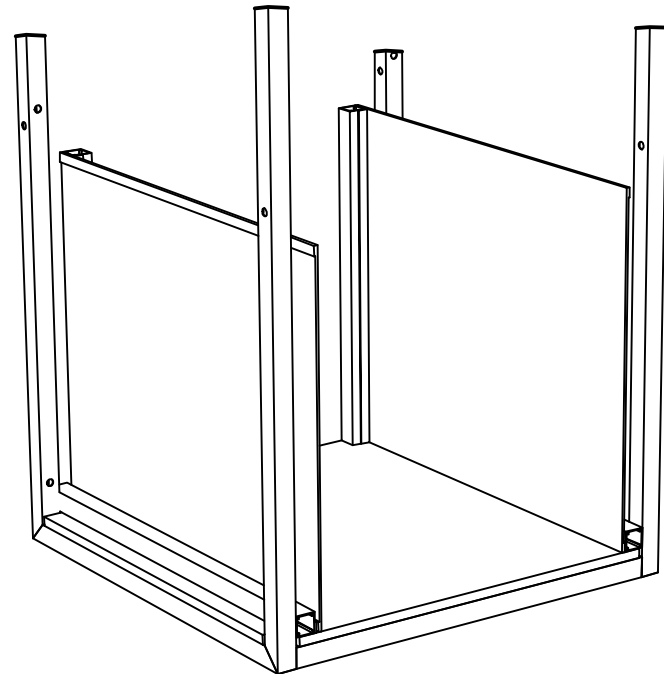
3rd Step)

CONNECT BACK PANEL (PDK-BACK) TO BARS ON SIDE PANELS APPLIED IN STEP 2. BACK PANEL ATTACHES WITH MAGNET.



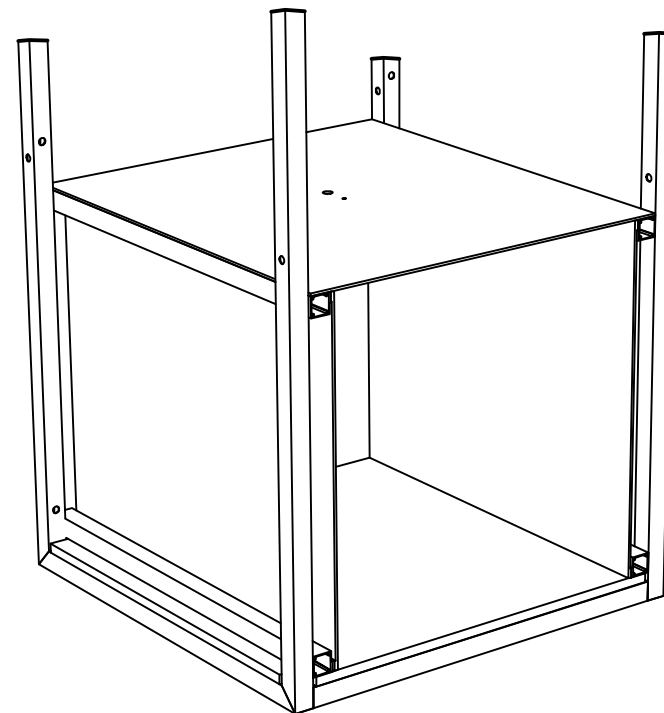
2nd Step)

ATTACH 2 SIDE PANELS (PDK1-SIDE) TO SHELF BARS. PANELS ATTACH USING MAGNETS.



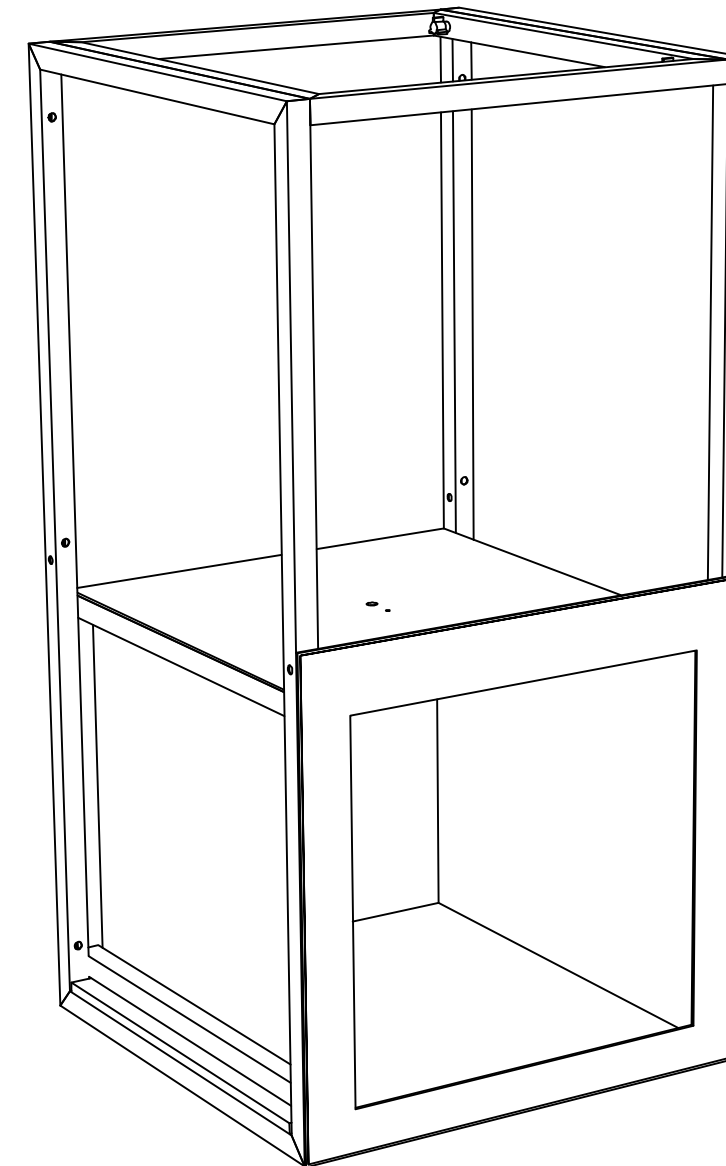
4th Step)

ATTACH TOP PANEL WITH LIGHT TO SIDE PANELS. TOP PANEL ATTACHES WITH MAGNET. RUN ELECTRICAL WIRING DOWN THROUGH SHELF.



5th Step)

BE SURE TO CONSTRUCT ALL DISPLAY CASES PRIOR TO APPLYING GRAPHIC QUADS. ONCE ALL DISPLAY CASES ARE ASSEMBLED IN PROPER LOCATION, REFER TO GRAPHIC LAYOUT AND APPLY GRAPHIC QUADS.



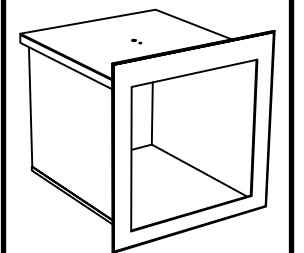
PARTS LIST - PDK1		
QNTY	LABEL	NAME
1	SHELF	LAMINATED SHELF
2	PDK1-SIDE	SIDE PANEL
1	PDK1-BACK	BACK PANEL
1	PDK-1 TOP	TOP PANEL WITH LIGHT



Expo Displays

3401 Mary Taylor Road
Birmingham, Alabama 35235
(205) 439-8200

Drawn By: JW



ASSEMBLY INSTRUCTIONS

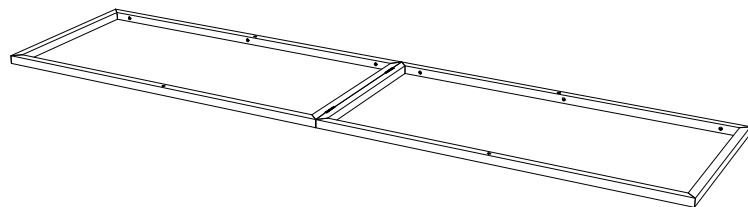
PDK1
1-OPEN SIDE PRODUCT DISPLAY CASE

APPENDIX H1

PARTS LIST		
QNTY	LABEL	NAME
1	LVHX	LEFT VERTICAL HINGED
1	RVHX	RIGHT VERTICAL HINGED
2	BH1	BOTTOM HORIZONTAL
2	MH1	MIDDLE HORIZONTAL
2	TH1	TOP HORIZONTAL
2	CVH1	CENTER VERTICAL HINGED
2	GRN	1" GREEN THUMB SCREW
4	RED	2" RED THUMB SCREW

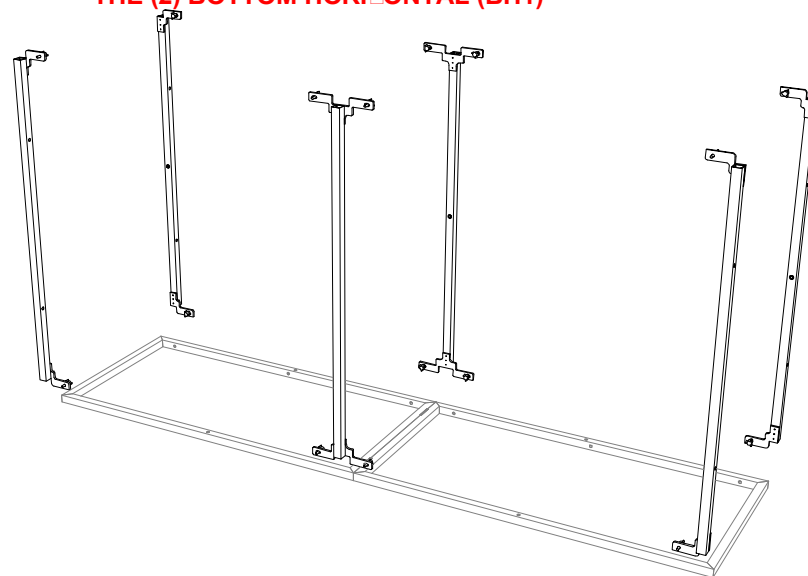
1st S ()

START WITH THE LEFT VERTICAL (LVHX) ON THE GROUND



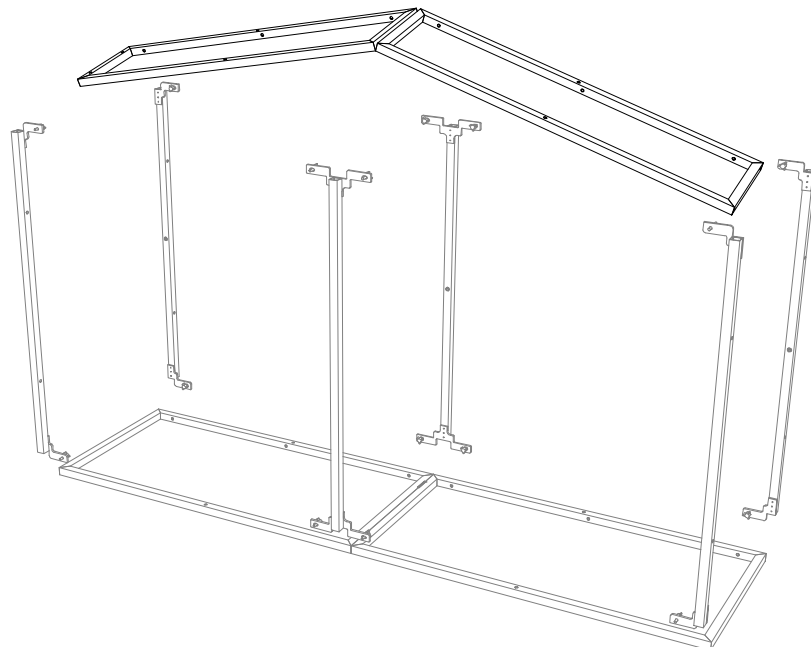
2nd S ()

ATTACH THE (2) TOP HORIZONTAL (TH1), THE (2) MIDDLE HORIZONTAL (MH1), AND THE (2) BOTTOM HORIZONTAL (BH1)



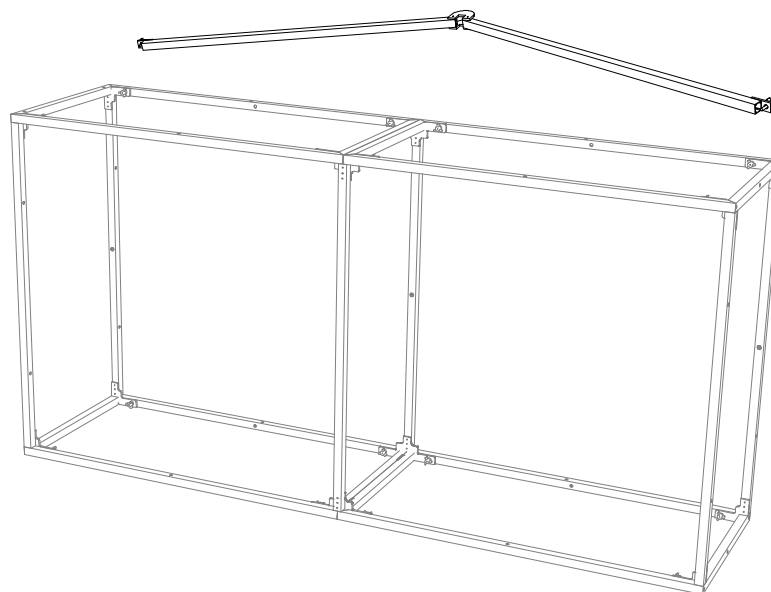
3rd S ()

ATTACH THE RIGHT HINGED SIDE (RVH1)



4th S ()

ATTACH THE (2) CENTER VERTICAL HINGED (CVH1) AND STAND UP-RIGHT



MATCH NUMBERS TO CONSTRUCT



Expo Displays

3401 Mary Taylor Road
Birmingham, Alabama 35235
(205) 439-8200

Drawn By: AKHIII



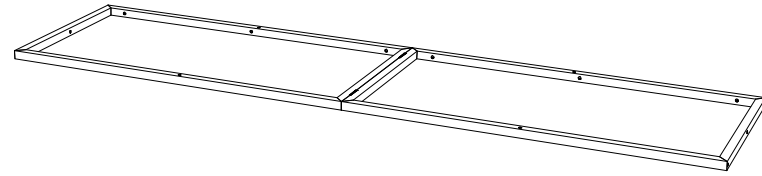
ASSEMBLY INSTRUCTIONS

2x4 MAX FRAME
MOX-F24

APPENDIX

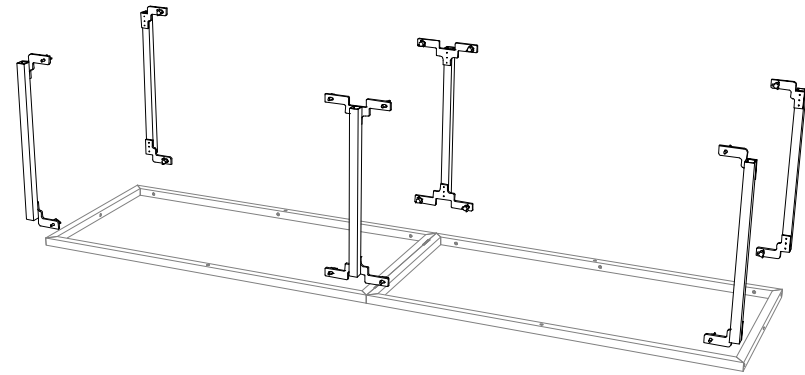
1st Step

START WITH THE LEFT VERTICAL HINGED (LVHX) ON THE GROUND



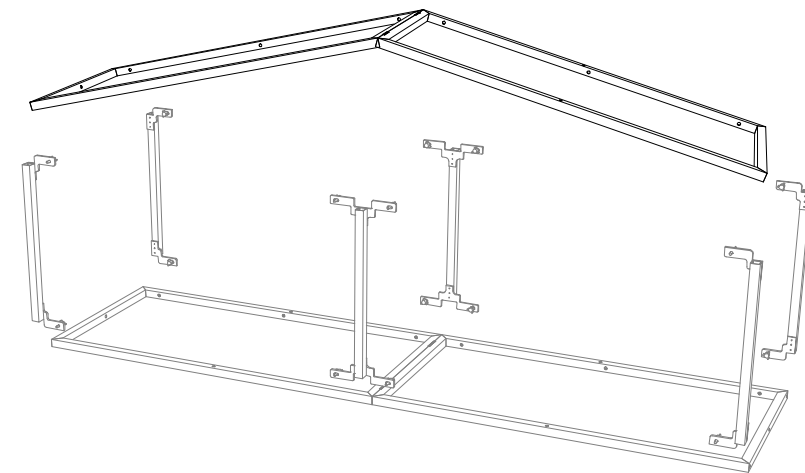
2nd Step

ATTACH THE (2) TOP HORIZONTAL (TH2), THE (2) MIDDLE HORIZONTAL (MH2), AND THE (2) BOTTOM HORIZONTAL (BH2)



3rd Step

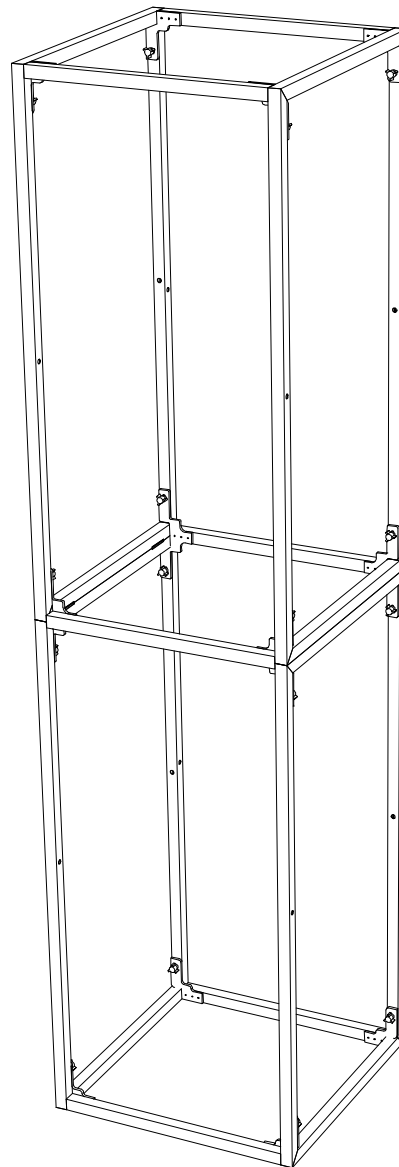
ATTACH THE RIGHT HINGED SIDE (RVHX)



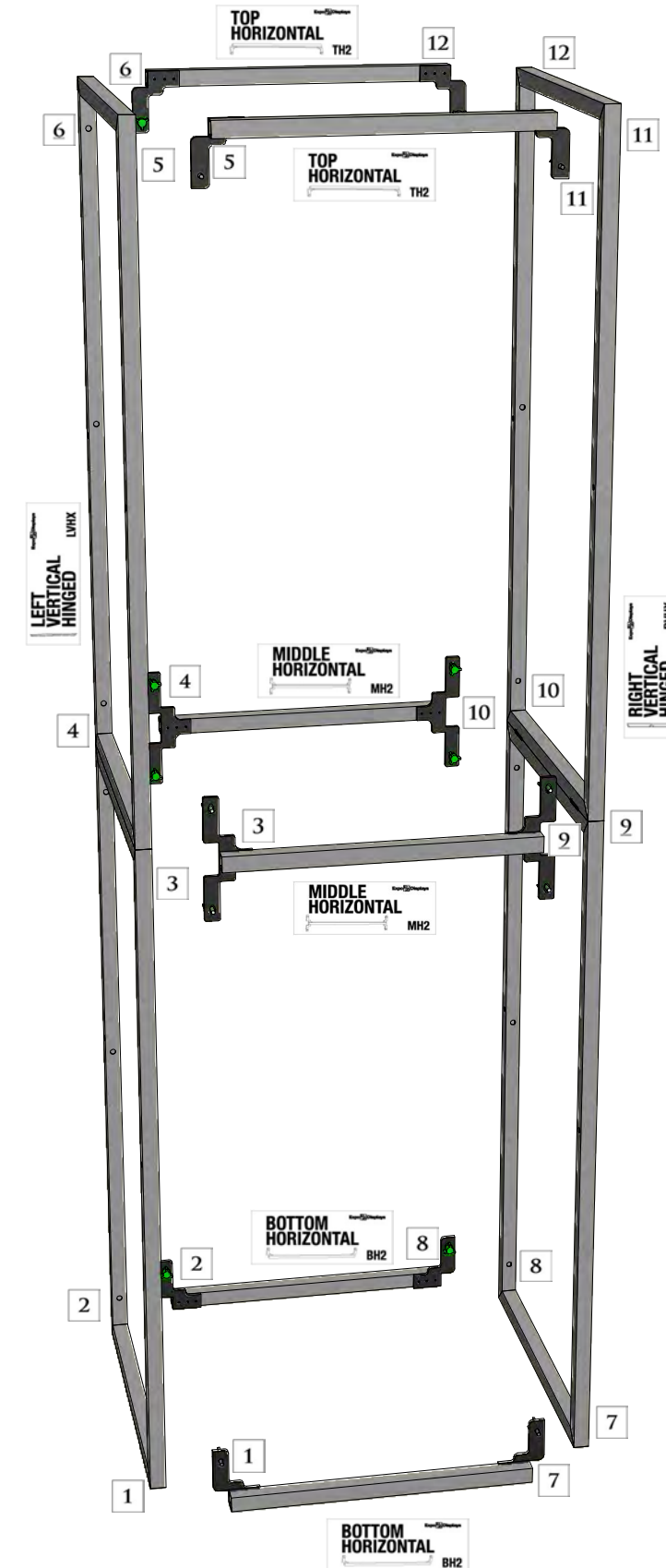
PARTS LIST		
QNTY	LABEL	NAME
1	LVHX	LEFT VERTICAL HINGED
1	RVHX	RIGHT VERTICAL HINGED
2	BH2	BOTTOM HORIZONTAL
2	MH2	MIDDLE HORIZONTAL
2	TH2	TOP HORIZONTAL
1	GRN	1" GREEN THUMB SCREW
4	RED	2" RED THUMB SCREW

4th Step

STAND UP-RIGHT



MATCH NUMBERS TO CONSTRUCT



Expo Displays

3401 Mary Taylor Road
Birmingham, Alabama 35235
(205) 439-8200

Drawn By: AKHIII

THIS PART USED TO MAKE
MOX-F14
1x4 MAX FRAME

ASSEMBLY INSTRUCTIONS

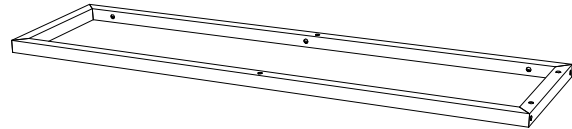
1x4 MAX FRAME
MOX-F14

APPENDIX N

PARTS LIST		
QNTY	LABEL	NAME
1	LVR1	LEFT VERTICAL RECTANGLE
1	RVR1	RIGHT VERTICAL RECTANGLE
1	BHR2	BOTTOM HORIZONTAL RECT.
1	THR2	TOP HORIZONTAL RECT.
□	RED	2" RED THUMB SCREW

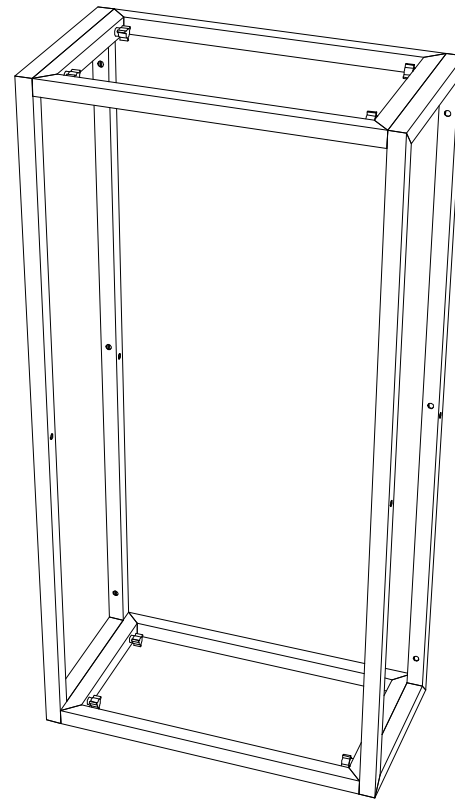
1st Step)

START WITH THE LEFT VERTICAL RECTANGLE (LVR1) ON THE GROUND



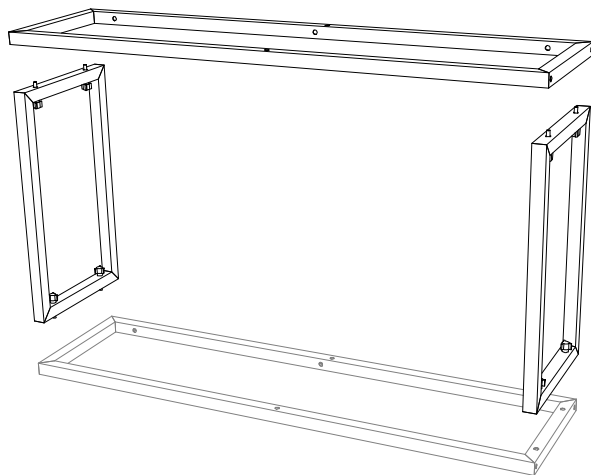
2nd Step)

STAND UP RIGHT

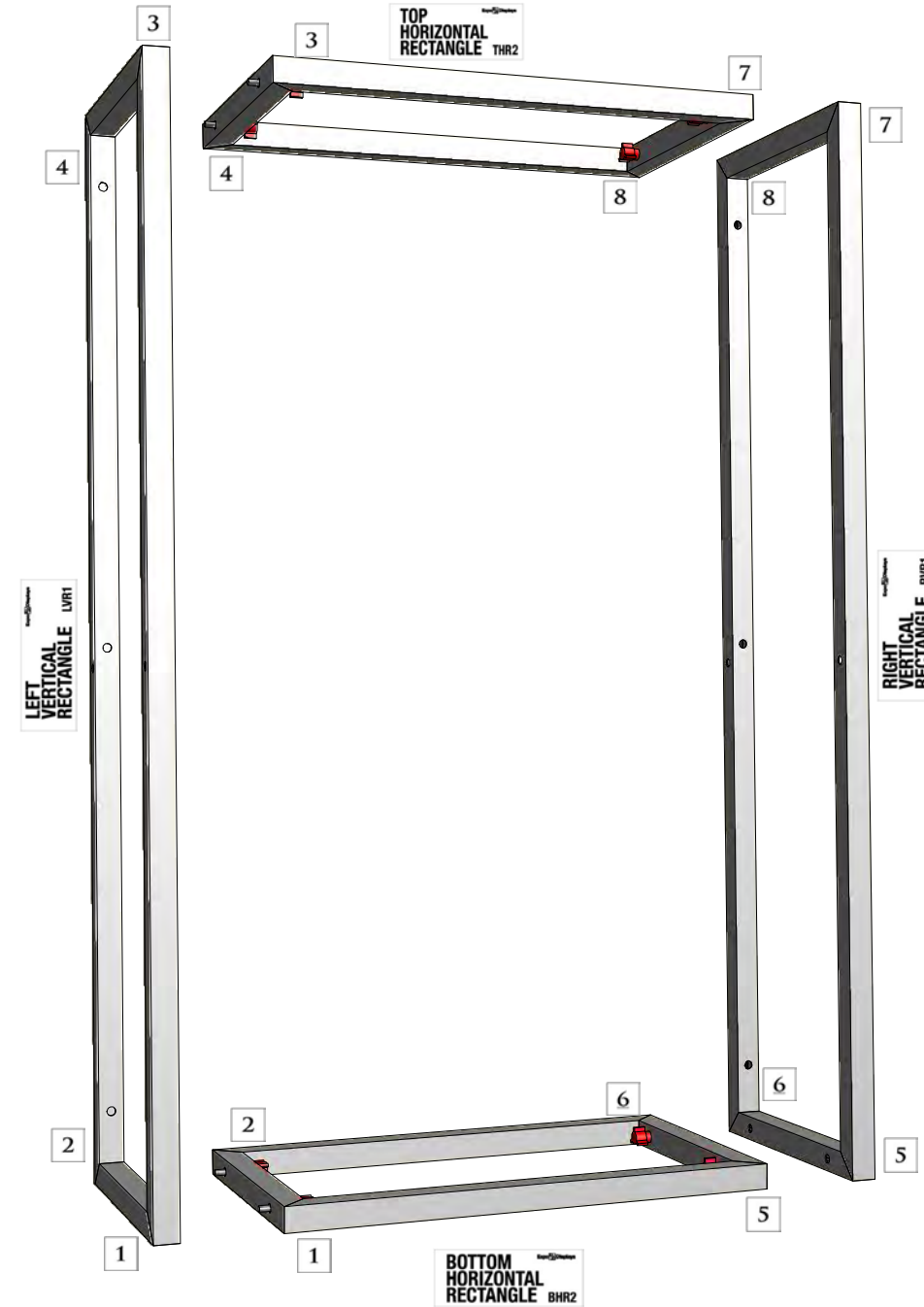


2nd Step)

ATTACH THE TOP & BOTTOM HORIZONTAL (THR2, BHR2), THEN ATTACH THE RIGHT VERTICAL RECTANGLE



MATCH NUMBERS TO CONSTRUCT



Expo Displays

3401 Mary Taylor Road
Birmingham, Alabama 35235
(205) 439-8200

Drawn By: AKHIII

THIS PART USED TO MAKE
MQ-F12
1x2 STANDARD FRAME

ASSEMBLY
INSTRUCTIONS

1x2 STANDARD FRAME
MQ-F12

APPENDIX T