

WHEN ASSEMBLING **EXPO MultiQuad**

REMEMBER YOUR **ABC**'s...

**A**SSEMBLE EACH COMPONENT SEPARATELY

**B**UILD THE DESIRED LAYOUT

**C**OVER YOUR MULTIQUAD LAYOUT WITH QUADS



**EXPO MultiQuad**<sup>®</sup>  
An **ExpoDisplays** Product

**TRADESHOW STOP**  
10'x30' Custom MultiQuad

**EXPO**

**Expo EXPO Displays**<sup>®</sup>  
A Division of Diamond Displays International

3401 Mary Taylor Road  
Birmingham, Alabama 35235  
(205) 439-8200

Job #: 58175

Project Title

**10' x 30' MultiQuad**

Sheet Title

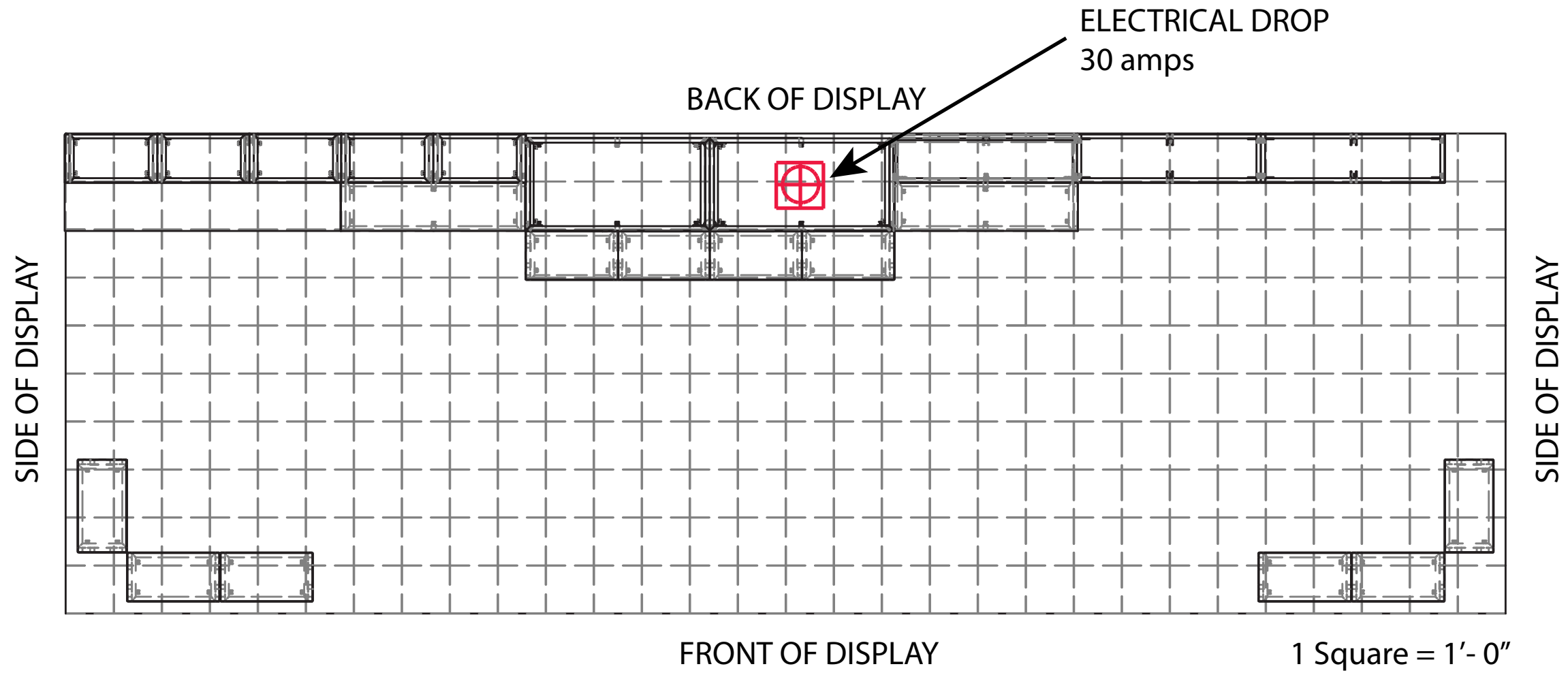


Project Title

**10' x 30' MultiQuad**

Sheet Title

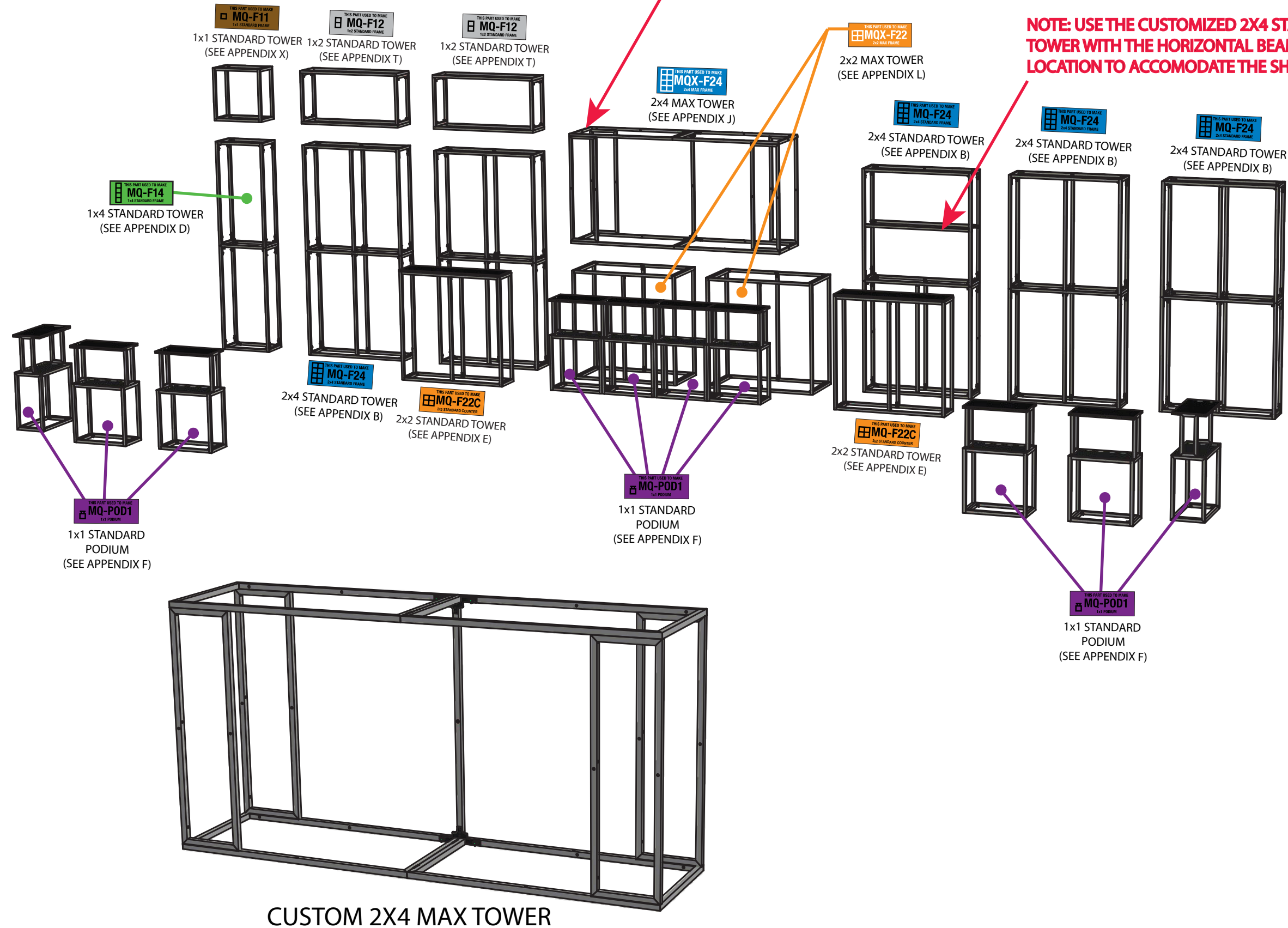
**ASSEMBLY  
INSTRUCTIONS  
ELECTRICAL PLAN**



1. PLACE THE FAR LEFT TOWER INTO THE DESIRED LOCATION USING PAGE 2
2. SLIDE ADJACENT TOWER INTO PLACE AND ATTACH USING THE PROVIDED CONNECTORS (SEE APPENDIX A)
3. REPEAT STEP 2 UNTIL ALL THE FRAMES ARE JOINED TOGETHER
4. INSTALL ALL REMAINING ACCESSORIES

**NOTE: THIS 2X4 MAX FRAME HAS BEEN CUSTOMIZED, AND IS NOT ACCURATELY DEPICTED ON APPENDIX SHEET J. USE THE ENLARGED ILLUSTRATION AT THE BOTTOM OF THIS SHEET, IN CONJUNCTION WITH APPENDIX J WHEN ASSEMBLING.**

**NOTE: USE THE CUSTOMIZED 2X4 STANDARD TOWER WITH THE HORIZONTAL BEAMS IN THIS LOCATION TO ACCOMMODATE THE SHOWCASES.**



3401 Mary Taylor Road  
Birmingham, Alabama 35235  
(205) 439-8200

Job #: 58175

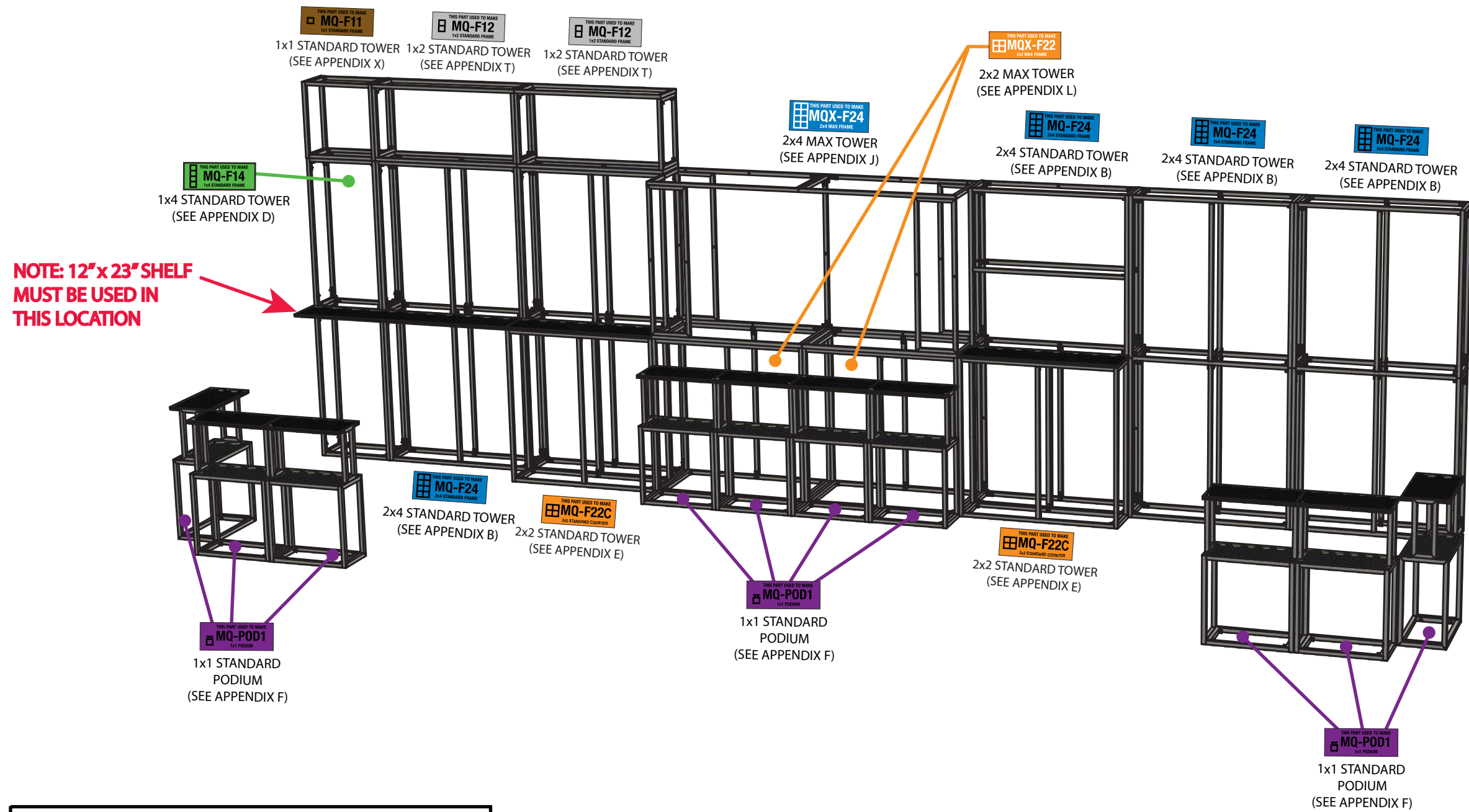
Project Title

**10' x 30' MultiQuad**

Sheet Title

**ASSEMBLY INSTRUCTIONS**

**EXPLODED LAYOUT**



**PARTS LIST:**

#	LABEL	NAME
10	MQ-POD1 1x1 PODIUM	STANDARD PODIUM
1	MQ-F11 1x1 STANDARD TOWER	1x1 STANDARD TOWER
2	MQ-F12 1x2 STANDARD TOWER	1x2 STANDARD TOWER
2	MQ-F22C 2x2 STANDARD COUNTER	2x2 STANDARD TOWER
2	MQX-F22 2x2 MAX TOWER	2x2 MAX TOWER
1	MQ-F14 1x4 STANDARD TOWER	1x4 STANDARD TOWER
5	MQ-F24 2x4 STANDARD TOWER	2x4 STANDARD TOWER
1	MQX-F24 2x4 MAX TOWER	2x4 MAX TOWER

**SHOWCASE ASSEMBLY**



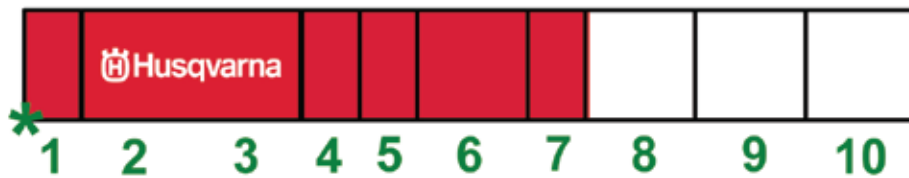
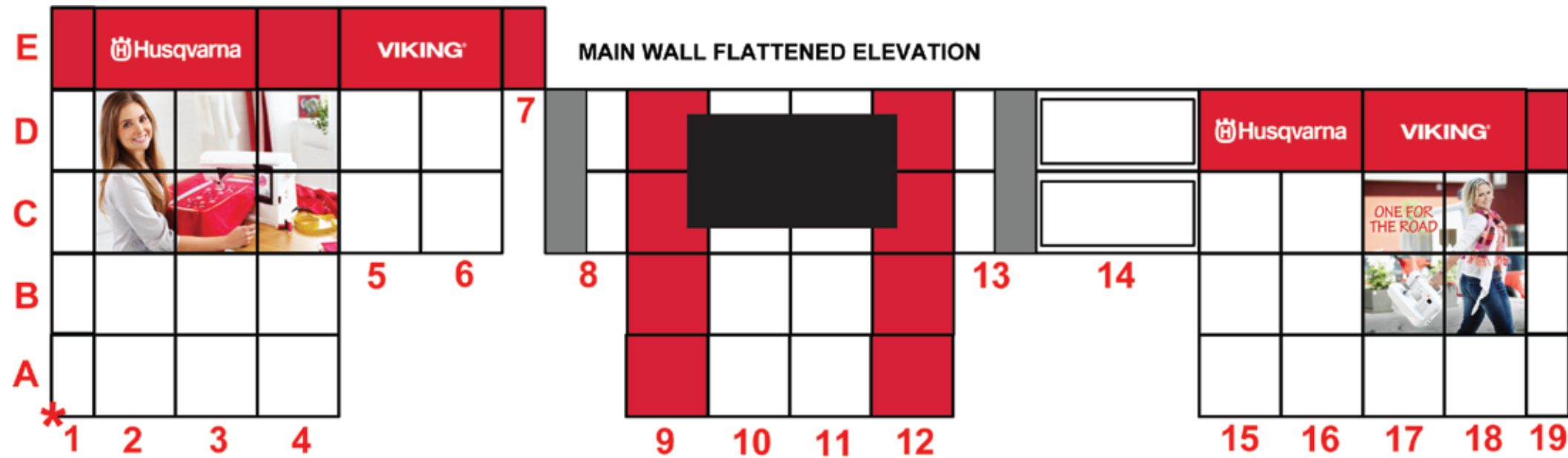
1. INSTALL SHELVES AND TOP PANEL W/ LIGHTING



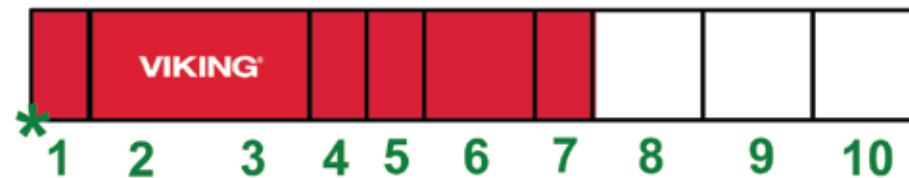
2. ATTACH THE SIDE PANELS



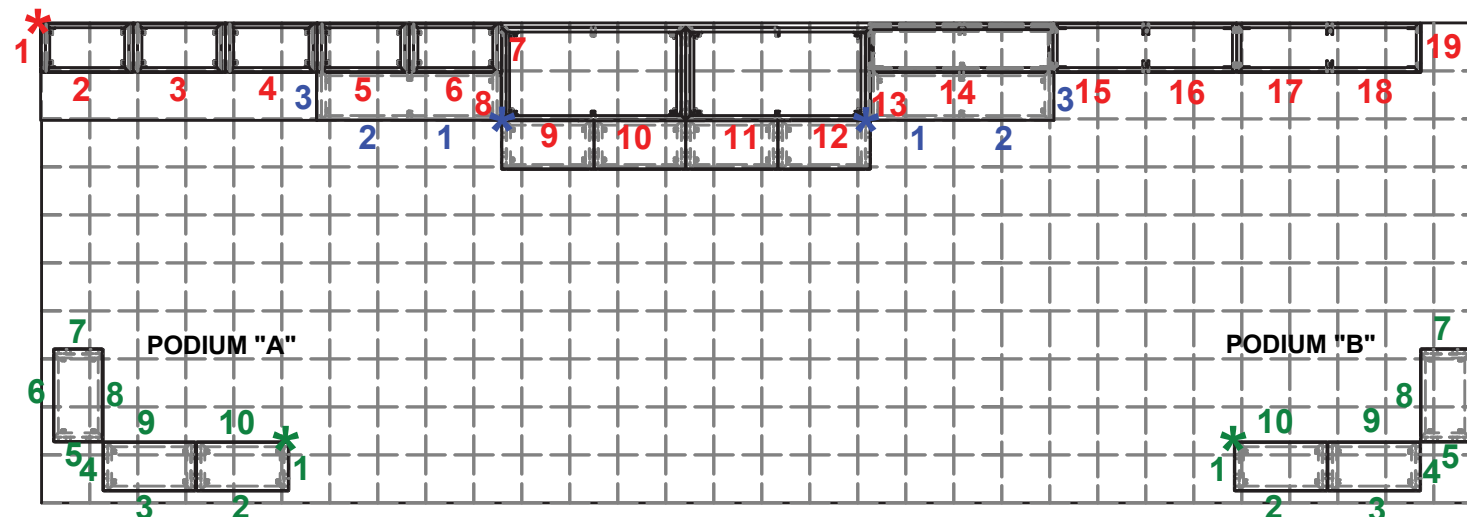
3. ATTACH THE FRONT AND BACK PANELS



PODIUM "A" FLATTENED ELEVATION



PODIUM "B" FLATTENED ELEVATION



\* \* \* = ORIGIN

PLAN VIEW

PARTS LIST:		
#	SIZE	NAME
61	23x23	STANDARD QUAD
24	12x23	SIDE QUAD
8	46x23	DOUBLE QUAD
2	46x23	DOUBLE SHOWCASE QUAD
1	SET	L-SHAPED MONITOR QUAD



**Expo EX PO Displays**  
A Division of Diamond Displays International

3401 Mary Taylor Road  
Birmingham, Alabama 35235  
(205) 439-8200

Job #: 58175

Date: 5.3.13

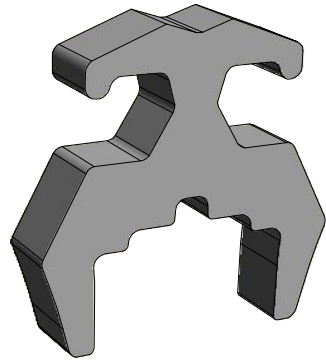
Drawn By: SH

Project Title  
**10' x 30' MultiQuad**

Sheet Title  
**ASSEMBLY INSTRUCTIONS GRAPHICS LAYOUT**

**FRAME CLAMP INSTRUCTION  
MQ-CLMP**

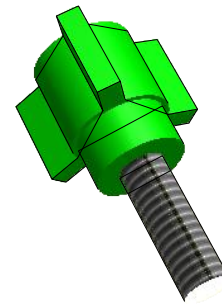
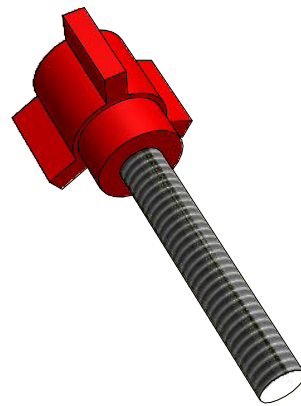
**(NOT REQUIRED IN EVERY CONFIGURATION)**



THE MQ-CLMP IS A FRICTION-FIT CONNECTOR / ALIGNMENT TOOL THAT DOES NOT REQUIRE TOOLS. THEY ARE TO BE USED IN ABNORMAL MULTIQUAD FRAME CONFIGURATIONS OR AS ADDITIONAL FRAME SECURITY IN SPECIAL SITUATIONS



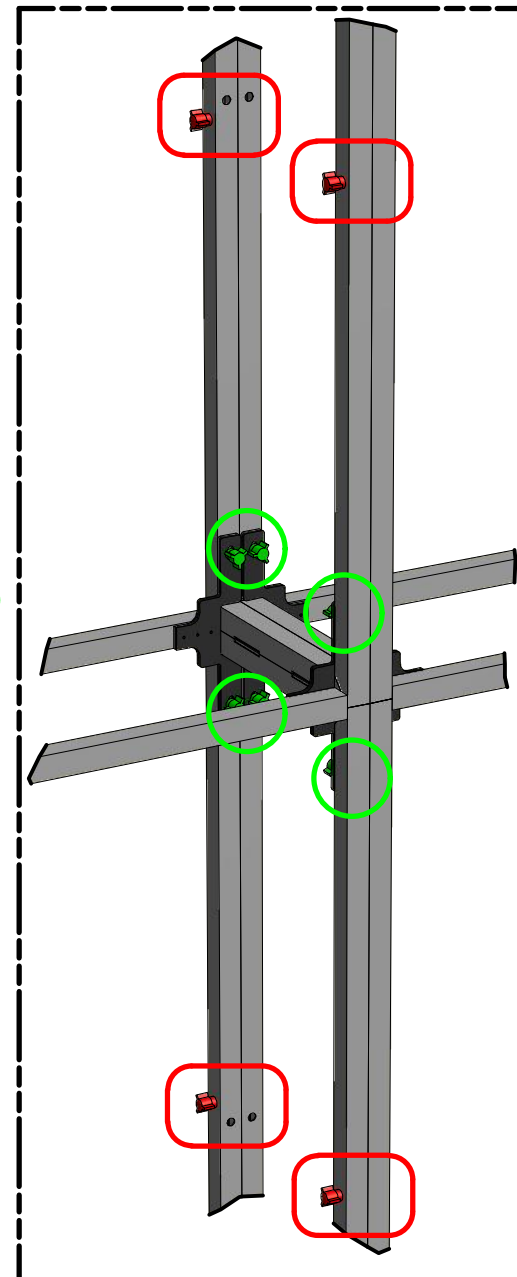
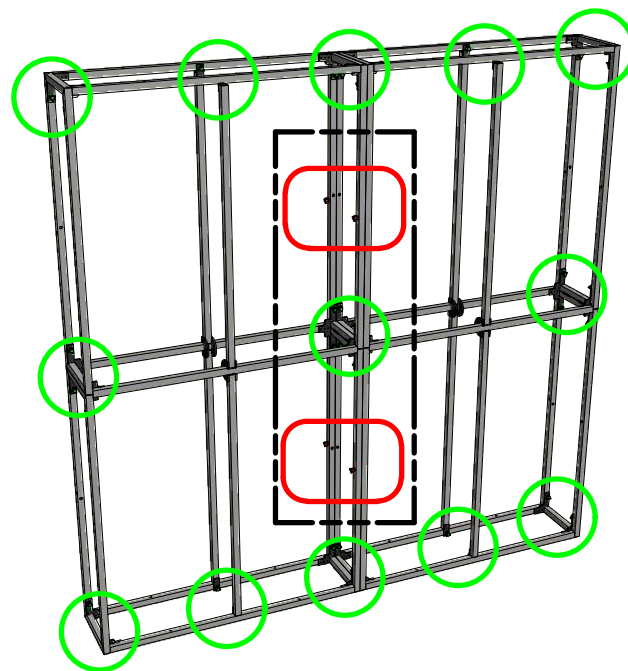
**THUMB SCREW INSTRUCTION  
MQ-TSR2 / MQ-TSG1**



THE 2" RED THUMB SCREW IS USED TO CONNECT MULTIQUAD FRAMES TO OTHER MULTIQUAD FRAMES. EACH FRAME HAS RIVET NUT ON ONE SIDE AND A HOLE ON THE OTHER TO ALLOW FRAME TO FRAME CONNECTION

THE 1" GREEN THUMB SCREWS ARE USED WHEN ASSEMBLING 1x4 AND 2x4 FRAMES. SEE APPENDIX PAGES

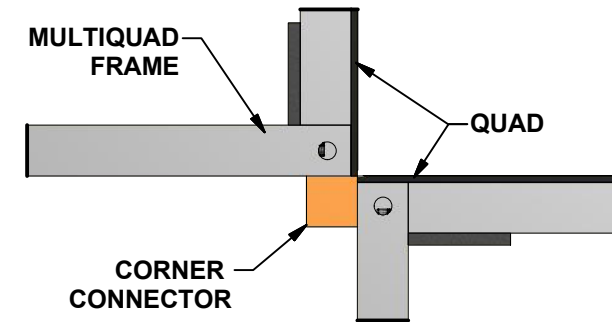
**DUE TO THE RIVET NUTS, ALL FRAMES HAVE A LEFT AND RIGHT SIDE. VERIFY FRAME ORIENTATION TO ALLOW FRAME TO FRAME CONNECTION**



**CORNER CONNECTOR INSTRUCTION  
MQ-BTW**

**(NOT REQUIRED IN EVERY CONFIGURATION)**

THE MQ-BTW CORNER ALIGNMENT TOOL IS DESIGNED TO AID IN THE ALIGNMENT OF FRAMES AS NEEDED IN SOME MULTIQUAD CONFIGURATIONS.

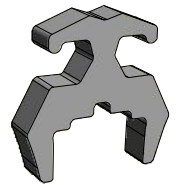
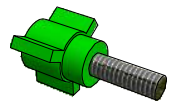


AFTER TWO MULTIQUAD FRAMES ARE SET "CORNER-TO-CORNER" THE MQ-BTW SIMPLY ATTACHES TO THE EXISTING MAGNETS ON THE FRAME



**Expo Displays**

3401 Mary Taylor Road  
Birmingham, Alabama 35235  
(205) 439-8200



**ASSEMBLY  
INSTRUCTIONS**

CONNECTORS & ALIGNMENT TOOLS

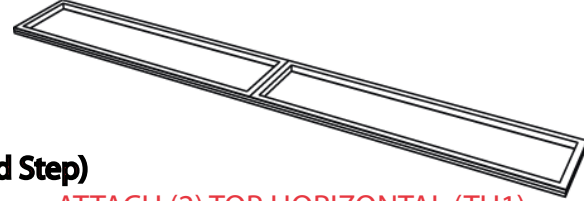
**APPENDIX A**

**PARTS LIST:**

#	LABEL	NAME
1	LVH1	LEFT VERTICAL HINGED
1	RVH1	RIGHT VERTICAL HINGED
2	BH1	BOTTOM HORIZONTAL
2	MH1	MIDDLE HORIZONTAL
2	TH1	TOP HORIZONTAL
2	CVH1	CENTER VERTICAL HINGED
20	GRN	1" THUMB SCREWS
4	RED	2" THUMB SCREWS

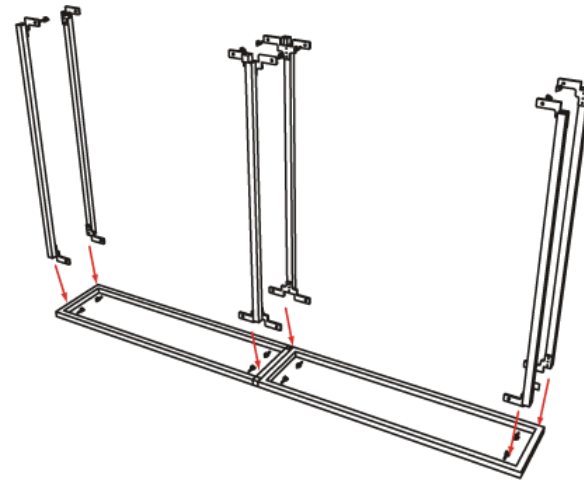
**1st Step)**

START WITH THE LEFT VERTICAL HINGE (LVH1) ON THE GROUND



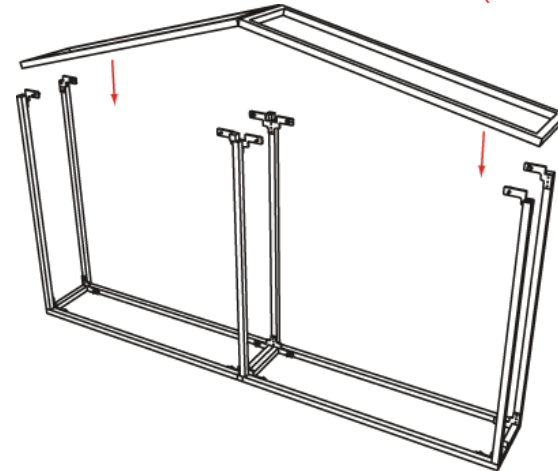
**2nd Step)**

ATTACH (2) TOP HORIZONTAL (TH1), (2) MIDDLE HORIZONTAL (MH1), (2) BOTTOM HORIZONTAL (BH1)



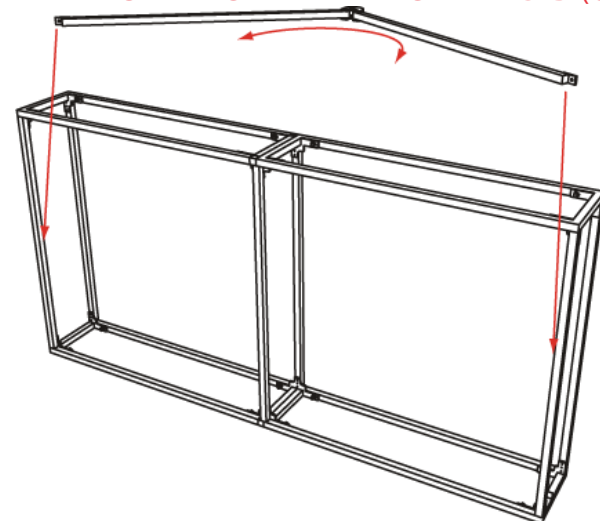
**3rd Step)**

ATTACH THE RIGHT HINGED SIDE (RVH1)

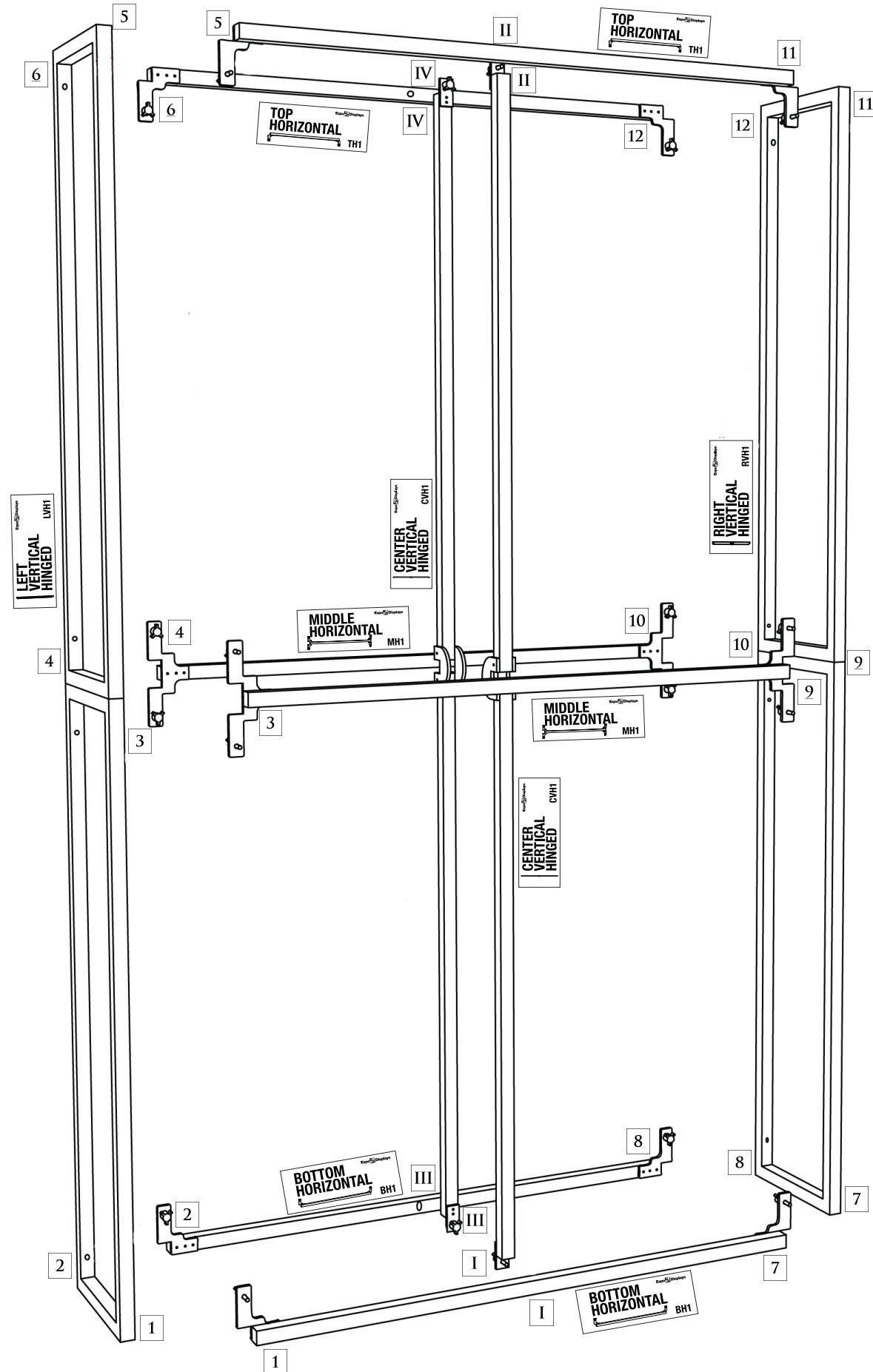


**4th Step)**

ATTACH THE CENTER VERTICAL HINGED (CVH1)



\*MATCH NUMBERS TO CONSTRUCT.



**Expo EX PO Displays**  
A Division of Diamond Displays International

3401 Mary Taylor Road  
Birmingham, Alabama 35235  
(205) 439-8200

THIS PART USED TO MAKE  
**MQ-F24**  
2x4 STANDARD FRAME

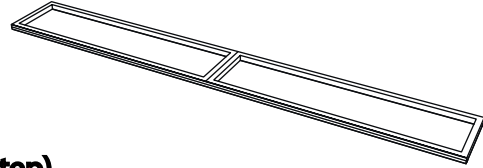
ASSEMBLY INSTRUCTIONS  
**2x4 STANDARD FRAME MQ-F24**

**PARTS LIST:**

#	LABEL	NAME
1	LVH1	LEFT VERTICAL HINGED
1	RVH1	RIGHT VERTICAL HINGED
2	BH2	BOTTOM HORIZONTAL
2	MH2	MIDDLE HORIZONTAL
2	TH2	TOP HORIZONTAL
16	GRN	1" THUMB SCREWS
4	RED	2" THUMB SCREWS

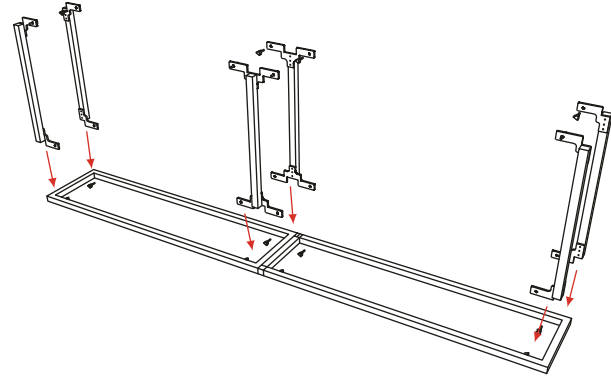
**1st Step)**

START WITH THE LEFT VERTICAL HINGE (LVH1) ON THE GROUND



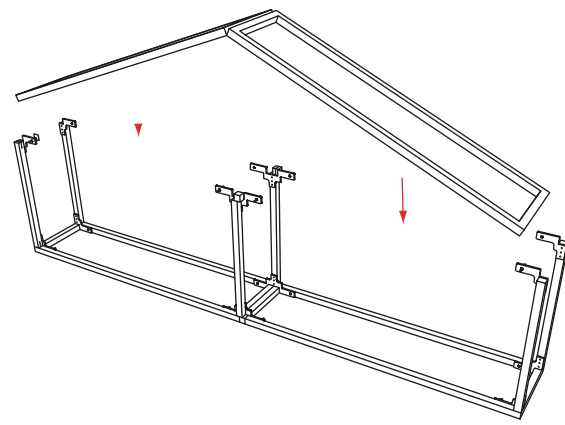
**2nd Step)**

ATTACH (2) TOP HORIZONTAL (TH1), (2) MIDDLE HORIZONTAL (MH1), (2) BOTTOM HORIZONTAL (BH1)



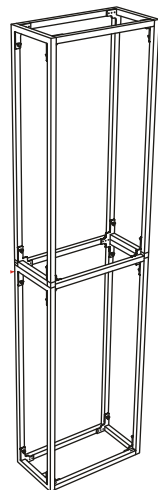
**3rd Step)**

ATTACH THE RIGHT HINGED SIDE (RVH1)

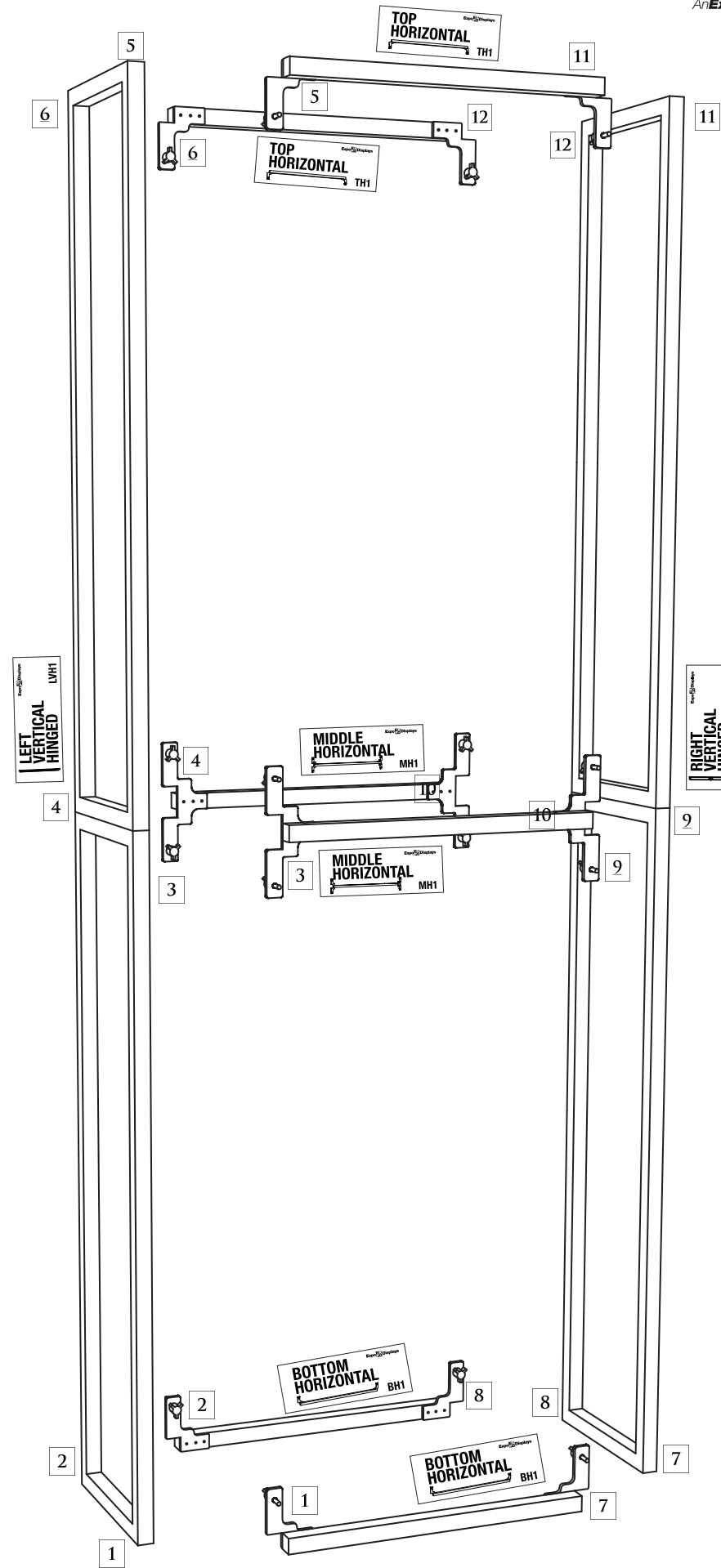


**4th Step)**

ATTACH THE CENTER VERTICAL HINGED (CVH1)



\*MATCH NUMBERS TO CONSTRUCT.



**Expo EXPO Displays**  
A Division of Diamond Displays International

3401 Mary Taylor Road  
Birmingham, Alabama 35235  
(205) 439-8200

THIS PART USED TO MAKE  
**MQ-F14**  
1x4 STANDARD FRAME

Sheet Title

**ASSEMBLY INSTRUCTIONS**  
**1x4 STANDARD TOWER**  
**MQ-F14**

APPENDIX D

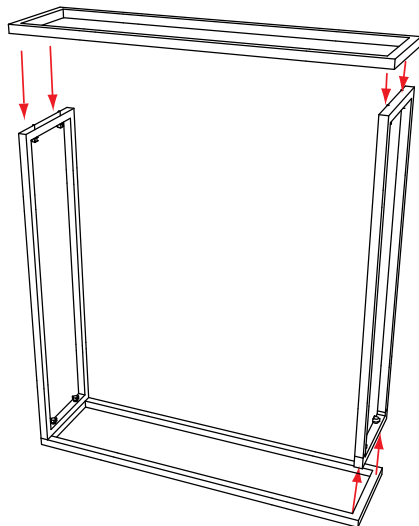


**PARTS LIST:**

#	LABEL	NAME
1	LVR1	LEFT VERTICAL RECTANGLE
1	RVR1	RIGHT VERTICAL RECTANGLE
1	BHR1	BOTTOM HORIZONTAL RECT.
2	CVH2	CENTER VERTICAL HALF
1	THR2	TOP HORIZONTAL RECTANGLE
4	GRN	1" THUMB SCREWS
8	RED	2" THUMB SCREWS
1	CT1246	COUNTER TOP FOR MQ-F22C

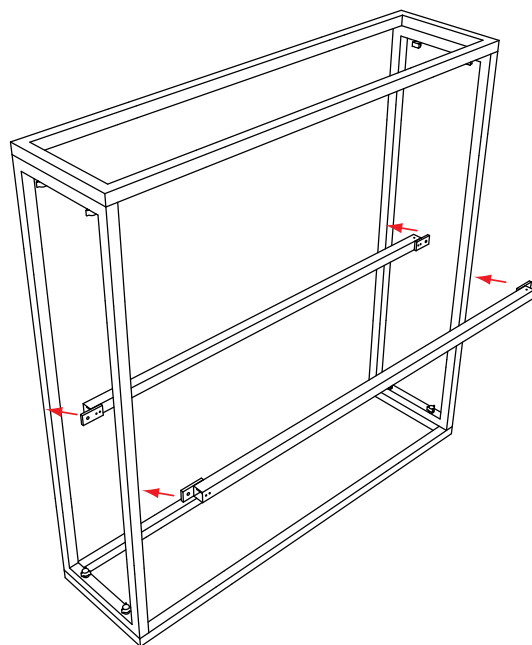
**1st Step)**

START WITH THE (LVR1) ON THE GROUND. ATTACH THE (THR1), (BHR1), AND (RVR1)



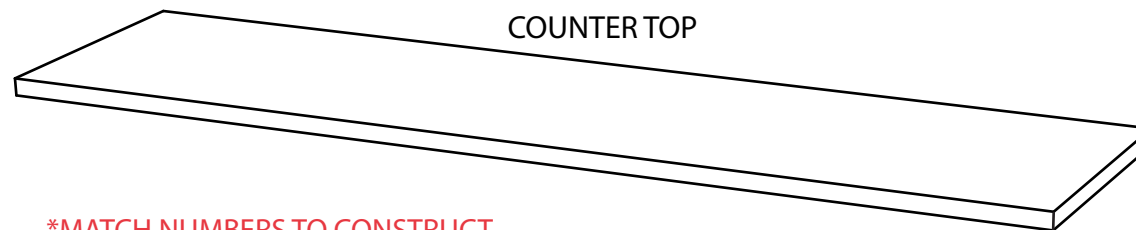
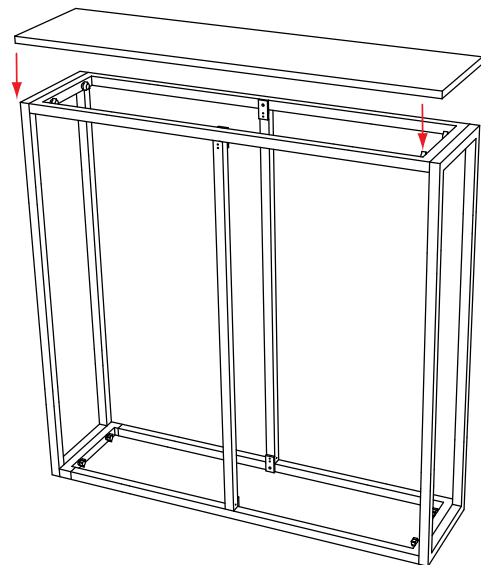
**2nd Step)**

ATTACH THE (2) CENTER VERTICLE (CVH2)

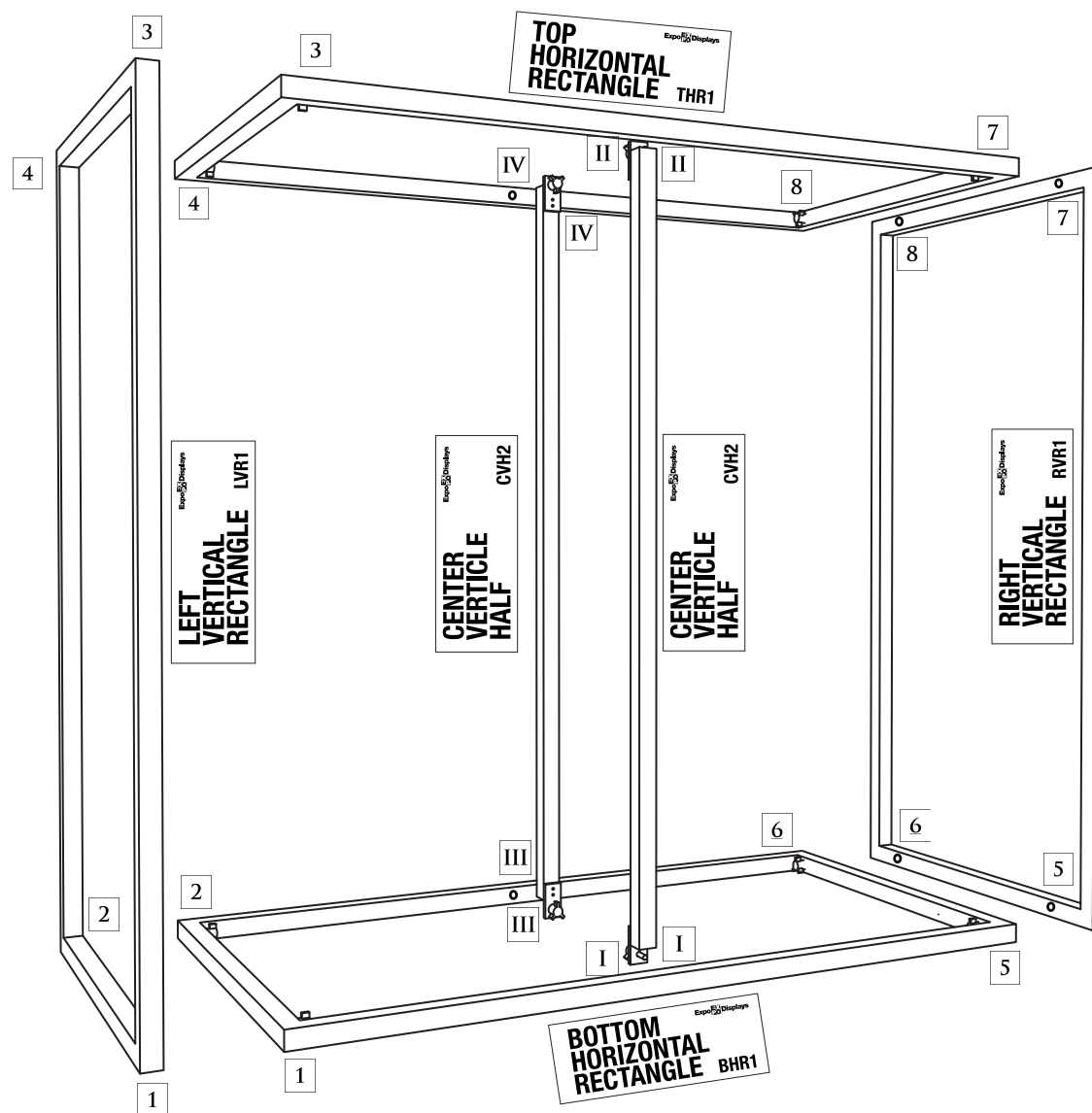


**3rd Step)**

STAND UPRIGHT AND PLACE COUNTER ON TOP



\*MATCH NUMBERS TO CONSTRUCT.



**Expo EX PO Displays**  
A Division of Diamond Displays International

3401 Mary Taylor Road  
Birmingham, Alabama 35235  
(205) 439-8200

THIS PART USED TO MAKE  
**MQ-F22C**  
2x2 STANDARD COUNTER

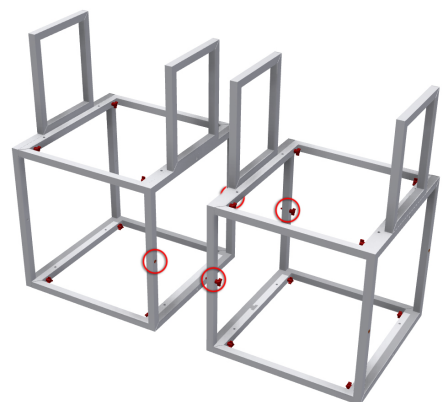
Sheet Title

**ASSEMBLY  
INSTRUCTIONS  
2x2 STANDARD  
COUNTER  
MQ-F22C**

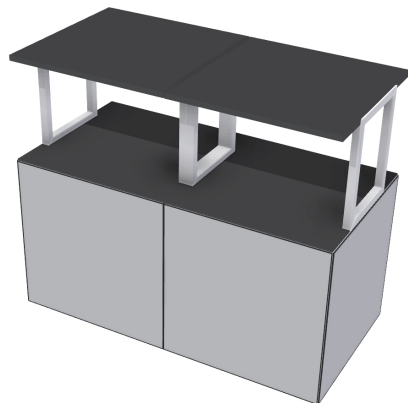
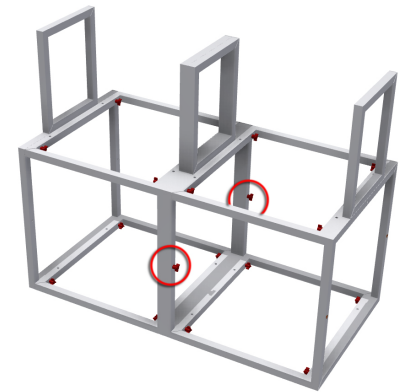
APPENDIX E

**PARTS LIST:**

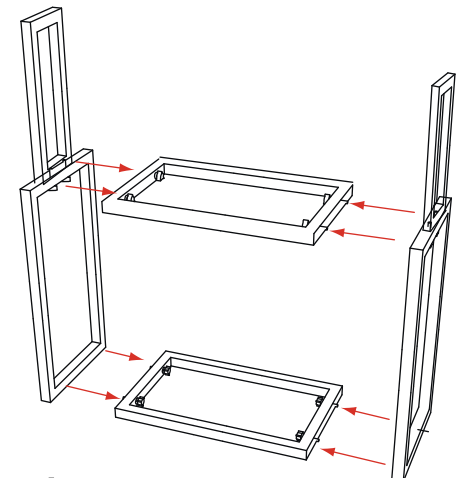
#	LABEL	NAME
1	LVP1	LEFT VERTICAL PODIUM
1	RVP1	RIGHT VERTICAL PODIUM
1	BHR2	BOTTOM HORIZONTAL
1	THR2	TOP HORIZONTAL RECTANGLE
1	SSPOD1	SHELF
1	CTPOD1	PODIUM COUNTER TOP
0	GRN	1" THUMB SCREWS
12	RED	2" THUMB SCREWS



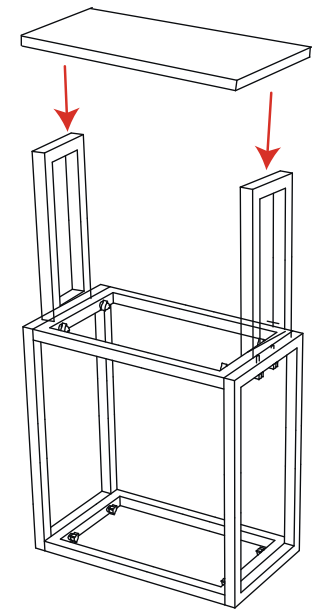
**Joining your podiums)**  
 ATTACH MULTIPLE PODIUMS BY RUNNING THE 2" RED THUMBSCREWS THROUGH THE OPEN HOLES OF ONE PODIUM INTO THE THREADED INSERTS OF ANOTHER.



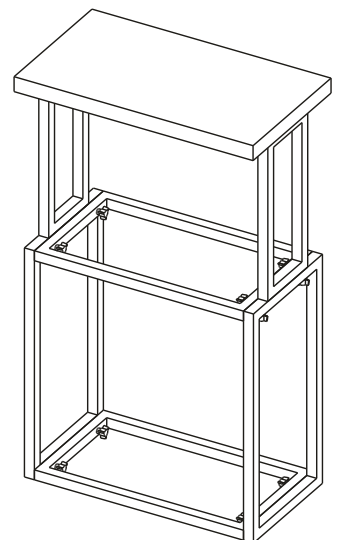
**1st Step)**  
 START WITH THE (BHR2) ON THE GROUND. ATTACH THE (LVP1), AND (RVP1) THEN ATTACH THE (THR2)



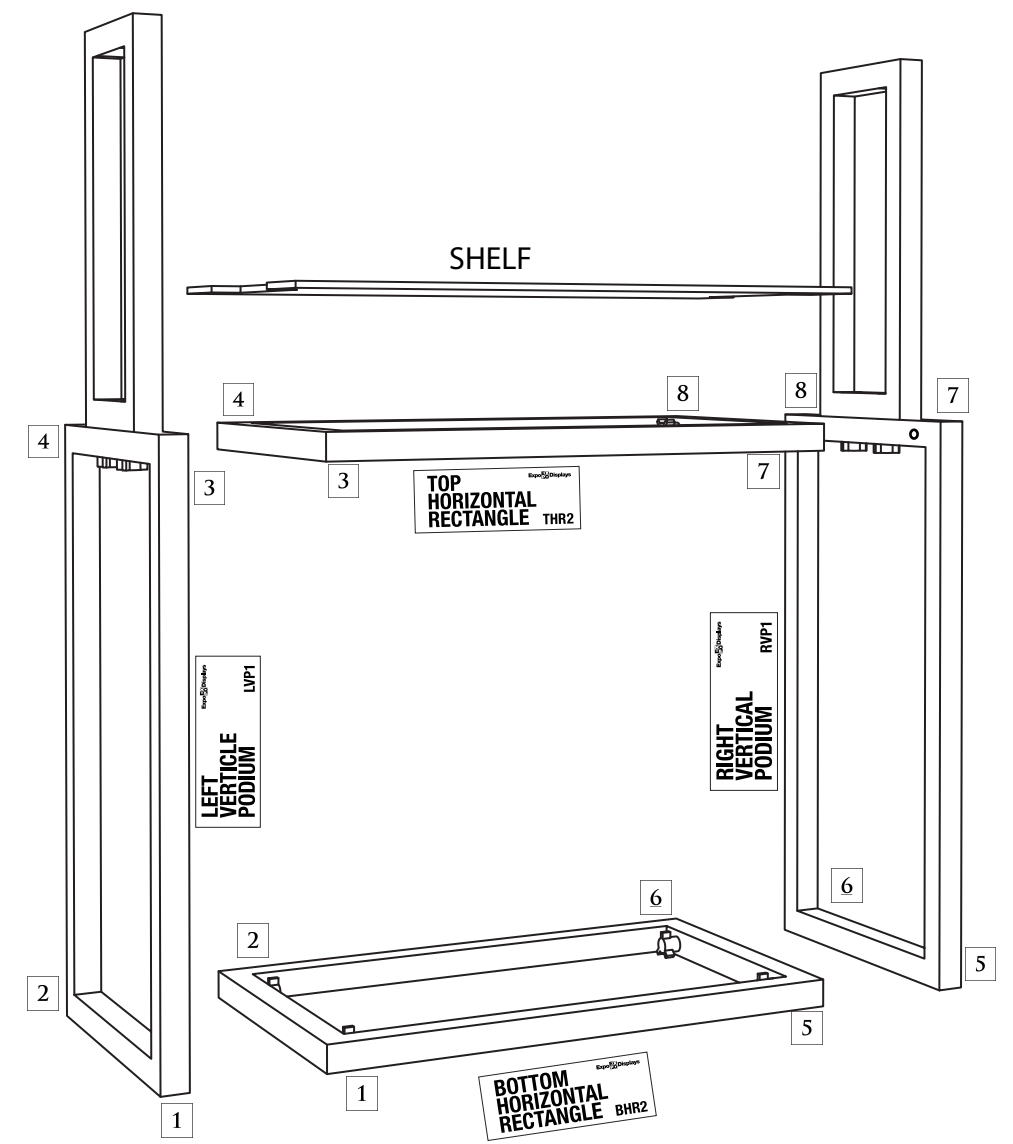
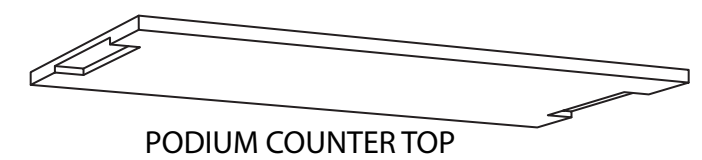
**2nd Step)**  
 ATTACH THE PODIUM COUNTER TOP



**3rd Step)**  
 ATTACH THE SHELF



\*MATCH NUMBERS TO CONSTRUCT.



**Expo Displays**  
 A Division of Diamond Displays International

3401 Mary Taylor Road  
 Birmingham, Alabama 35235  
 (205) 439-8200

THIS PART USED TO MAKE  
**MQ-POD1**  
 1x1 PODIUM

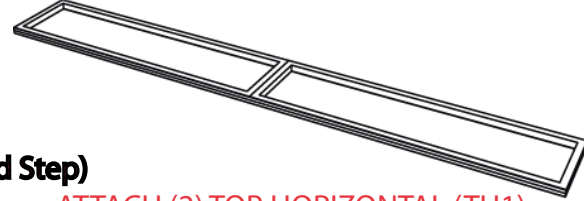
ASSEMBLY INSTRUCTIONS  
 1x1 STANDARD PODIUM  
 MQ-POD1

**PARTS LIST:**

#	LABEL	NAME
1	LVHX	LEFT VERTICAL HINGED
1	RVHX	RIGHT VERTICAL HINGED
2	BH1	BOTTOM HORIZONTAL
2	MH1	MIDDLE HORIZONTAL
2	TH1	TOP HORIZONTAL
1	CVH1	CENTER VERTICAL HINGED
20	GRN	1" THUMB SCREWS
4	RED	2" THUMB SCREWS

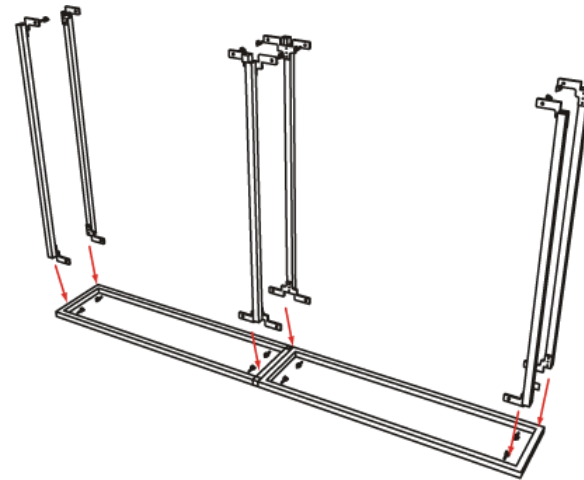
**1st Step)**

START WITH THE LEFT VERTICAL HINGE (LVH1) ON THE GROUND



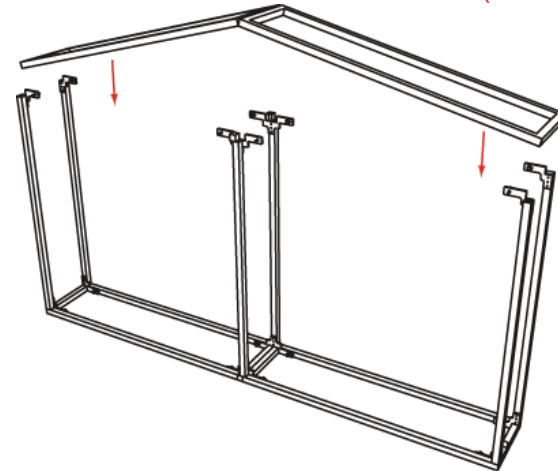
**2nd Step)**

ATTACH (2) TOP HORIZONTAL (TH1), (2) MIDDLE HORIZONTAL (MH1), (2) BOTTOM HORIZONTAL (BH1)



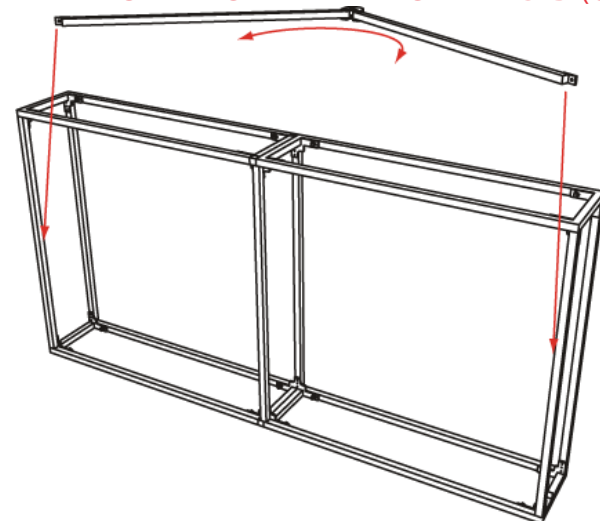
**3rd Step)**

ATTACH THE RIGHT HINGED SIDE (RVH1)

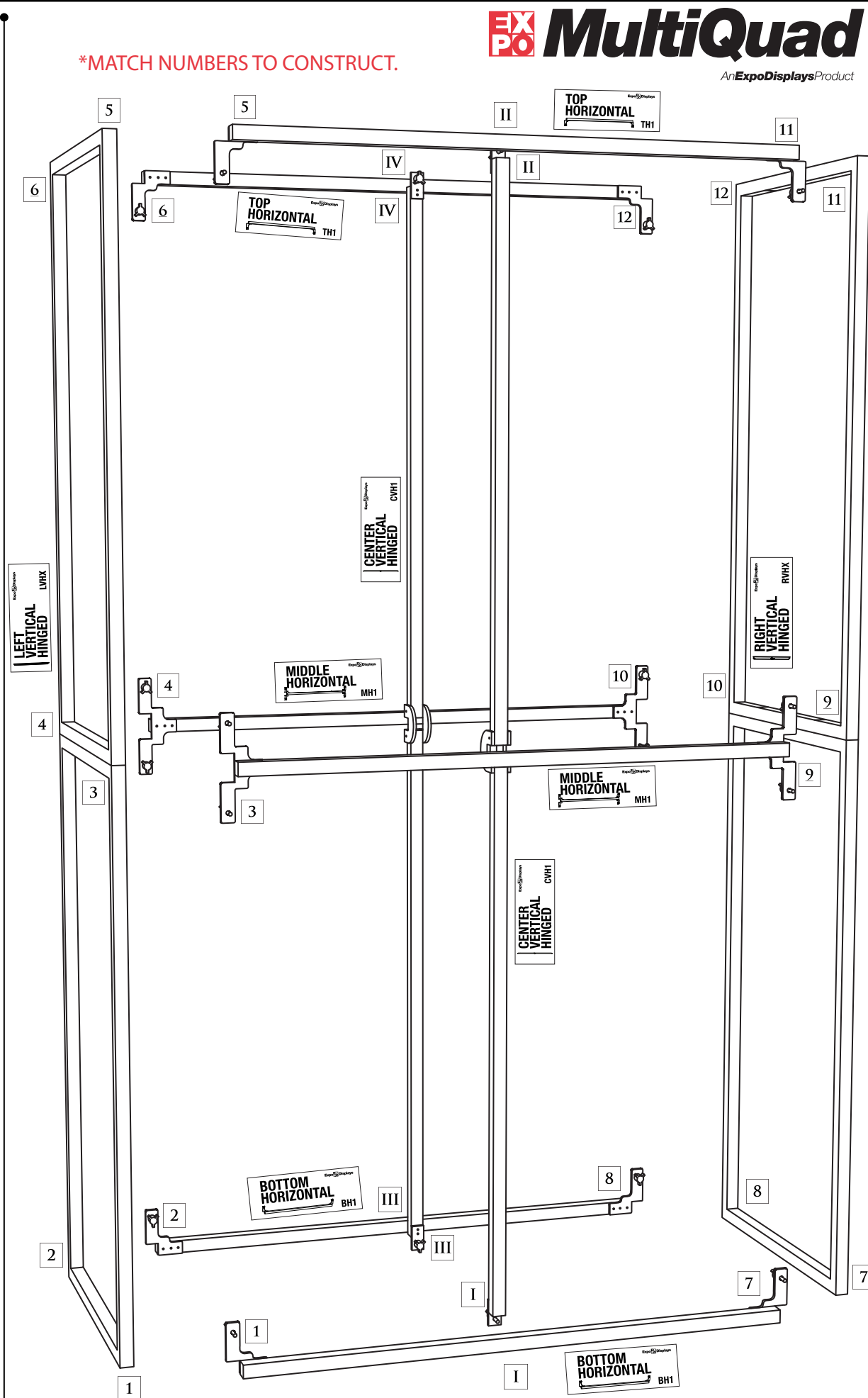


**4th Step)**

ATTACH THE CENTER VERTICAL HINGED (CVH1)



\*MATCH NUMBERS TO CONSTRUCT.



THIS PART USED TO MAKE  
**MQX-F24**  
2x4 MAX FRAME

Sheet Title

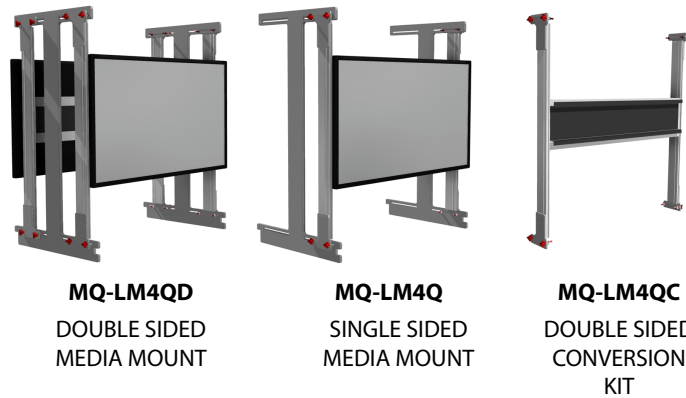
**ASSEMBLY INSTRUCTIONS**  
**2x4 MAX FRAME MQX-F24**

## PARTS LIST:

#	LABEL	NAME
1	MQ-LM4QD	MAX MEDIA MOUNT

### 1st Step)

THIS SET OF ASSEMBLY INSTRUCTIONS FOCUSES ON THE DOUBLE SIDED MOUNT (MQ-LM4QD). THE SAME PROCEDURES APPLY WHEN SETTING UP THE SINGLE SIDED (MQ-LM4Q) AND THE DOUBLE SIDED CONVERSION KIT (MQ-LM4QC)

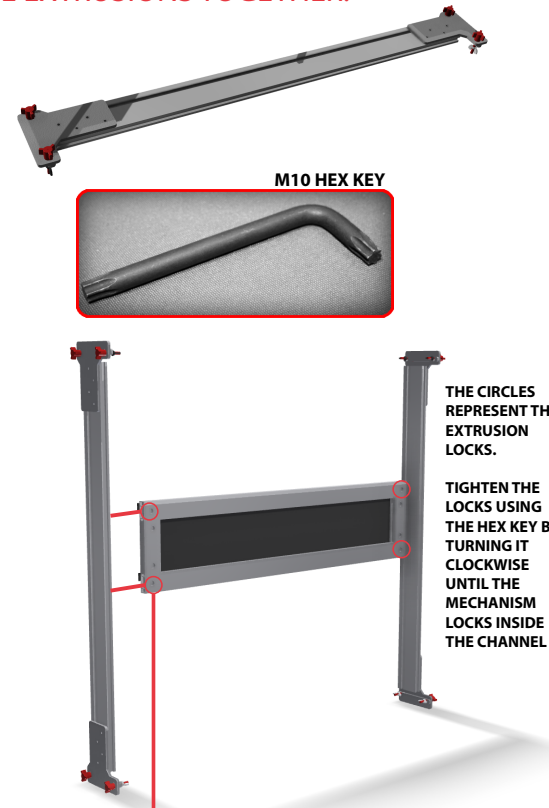


THESE MOUNTS ARE COMPATIBLE WITH MQX-F24 MULTIQUAD® FRAMES.

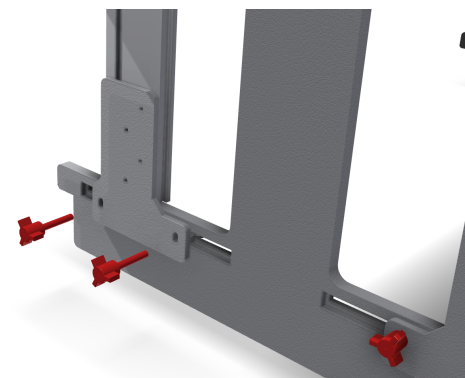


### 2nd Step)

AN M10 HEX KEY WILL BE INCLUDED WITH THE MOUNT THAT WILL BE USED TO FASTEN THE EXTRUSIONS TOGETHER.

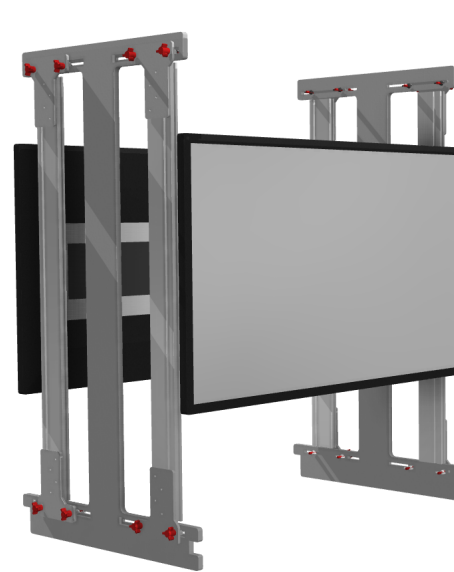
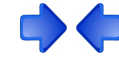


USE THE M10 HEX KEY TO TIGHTEN THE LOCKS THAT ATTACH THE VESA TV MOUNT TO THE ARMS.



ATTACH THE ASSEMBLED ARMS TO THE "I" SHAPED CENTER VERTICAL SUPPORT USING THE PROVIDED RED THUMBSCREWS AND WING NUTS.

**NOTE:** EXPDISPLAYS® WILL OFTEN ADD ARROWS ON THE EXTRUSIONS TO INDICATE THE IDEAL LOCATION OF THE MONITORS. SIMPLY CONNECT THE ARROWS.



### 5th Step)

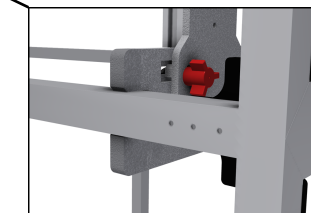
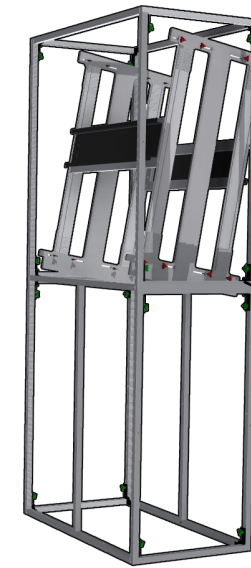
GENTLY TILT THE UNIT'S FRONT ONTO THE FRONT OF THE FRAME. THE MOUNT IS NOW SECURE INSIDE THE FRAME.



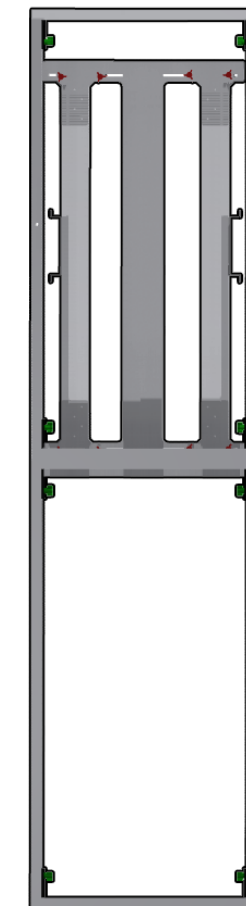
**EXPO MultiQuad**  
An ExpoDisplays Product

### 4th Step)

LINE THE MONITOR'S CENTER WITHIN THE CENTER OF THE FRAME. THEN GENTLY HOOK THE UNIT'S BACK ONTO THE FRAME



THE "I" SHAPED CENTER HOOKS ONTO THE BACK OF THE MQXF24 FRAME.

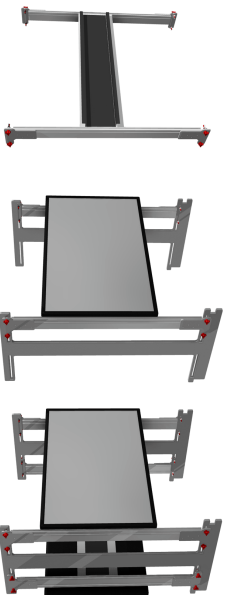


ONCE SECURE THE MEDIA MOUNT IS READY TO HOLD YOUR 42" LCD OR PLASMA DISPLAY.



**Expo Displays**  
A Division of Diamond Displays International

3401 Mary Taylor Road  
Birmingham, Alabama 35235  
(205) 439-8200



Sheet Title

**ASSEMBLY INSTRUCTIONS**  
**MAX MEDIA MOUNT**

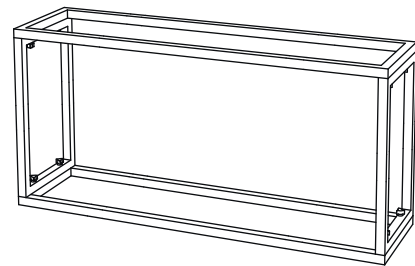
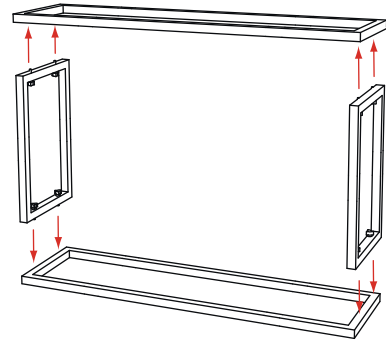
APPENDIX J7

**PARTS LIST:**

#	LABEL	NAME
1	LVR1	LEFT VERTICAL RECTANGLE
1	RVR1	RIGHT VERTICAL RECTANGLE
1	BHR2	BOTTOM HORIZONTAL
1	THR2	TOP HORIZONTAL RECTANGLE
1	CT1223	COUNTER TOP
8	RED	2" THUMB SCREWS
0	GRN	1" THUMB SCREWS

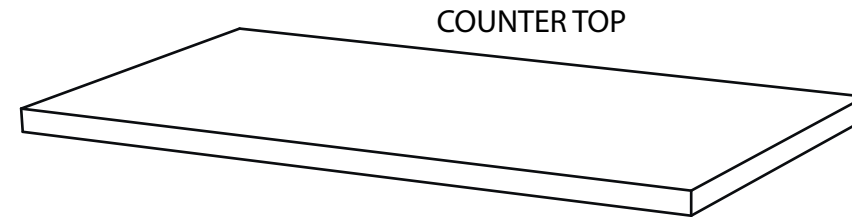
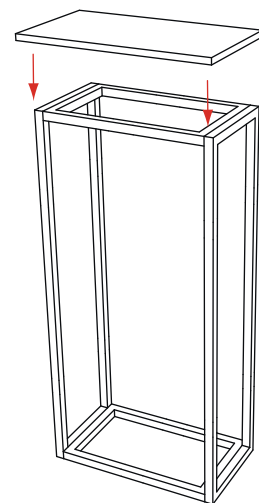
**1st Step)**

START WITH THE (LVR1) ON THE GROUND. ATTACH THE (THR2), AND (BHR2) THEN ATTACH THE (RVR1)

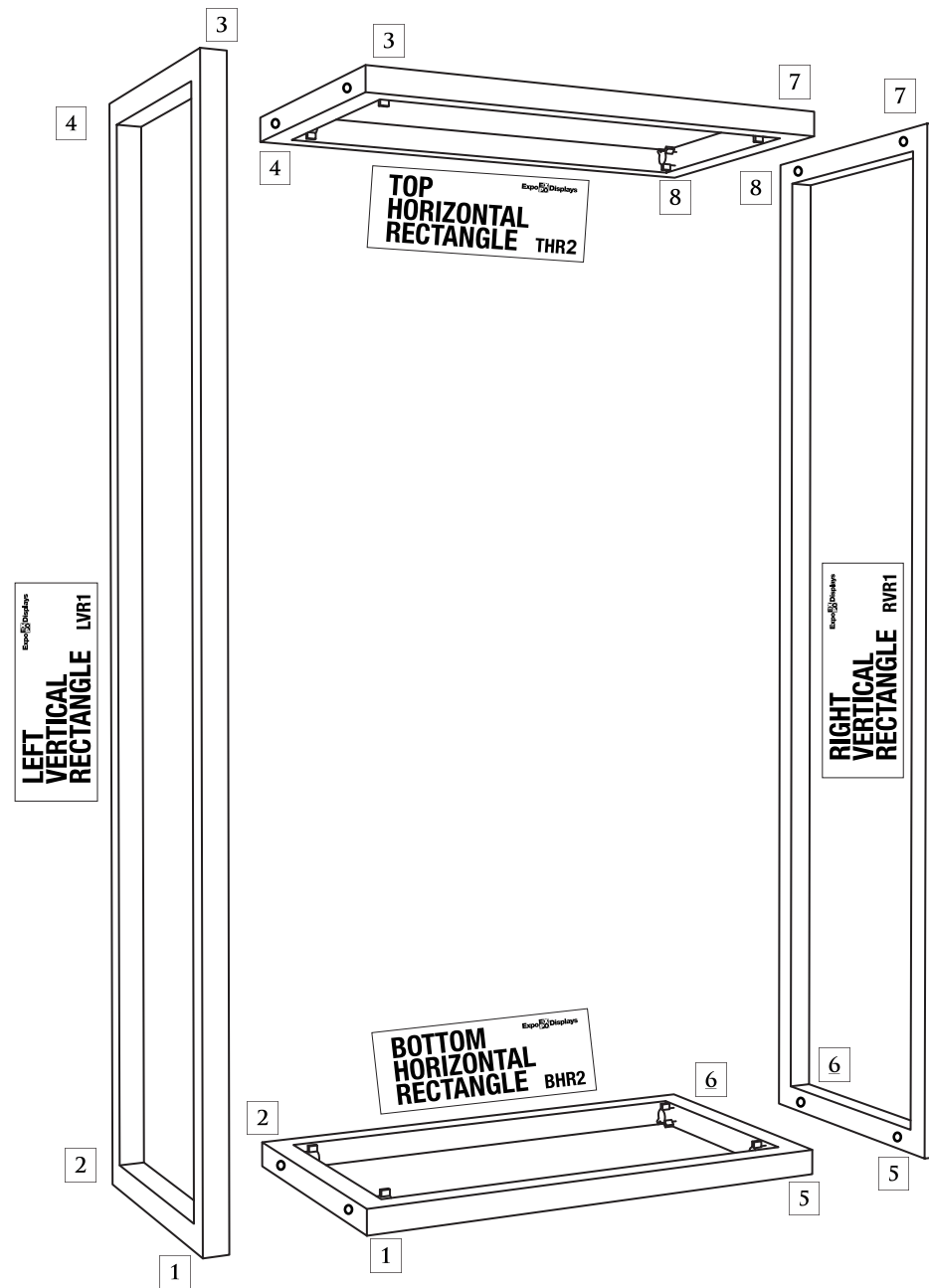


**2nd Step)**

ATTACH THE COUNTER TOP



\*MATCH NUMBERS TO CONSTRUCT.



**Expo EX PO Displays**  
A Division of Diamond Displays International

3401 Mary Taylor Road  
Birmingham, Alabama 35235  
(205) 439-8200

THIS PART USED TO MAKE  
**MQ-F12**  
1x2 STANDARD FRAME

Sheet Title

**ASSEMBLY  
INSTRUCTIONS  
1X2 STND COUNTER  
MQ-F12C**

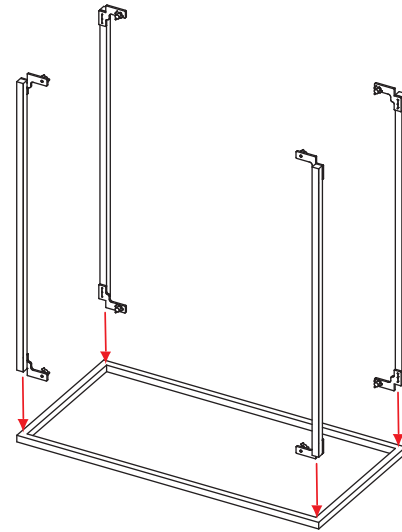
APPENDIX T

**PARTS LIST:**

#	LABEL	NAME
1	LVRX1	LEFT VERTICAL HINGED
1	RVRX1	RIGHT VERTICAL HINGED
2	BH1	BOTTOM HORIZONTAL
2	TH1	TOP HORIZONTAL
2	CVH2	CENTER VERTICAL HALF
2	RED	2" THUMB SCREWS
12	GRN	1" THUMB SCREWS

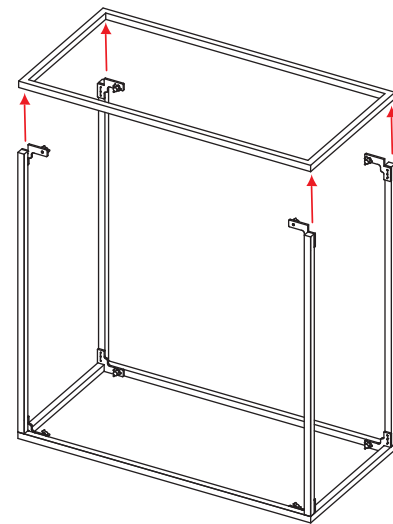
**1st Step)**

START WITH THE (LVRX1) ON THE GROUND. ATTACH THE (2) (TH1) AND (2) (BH1).



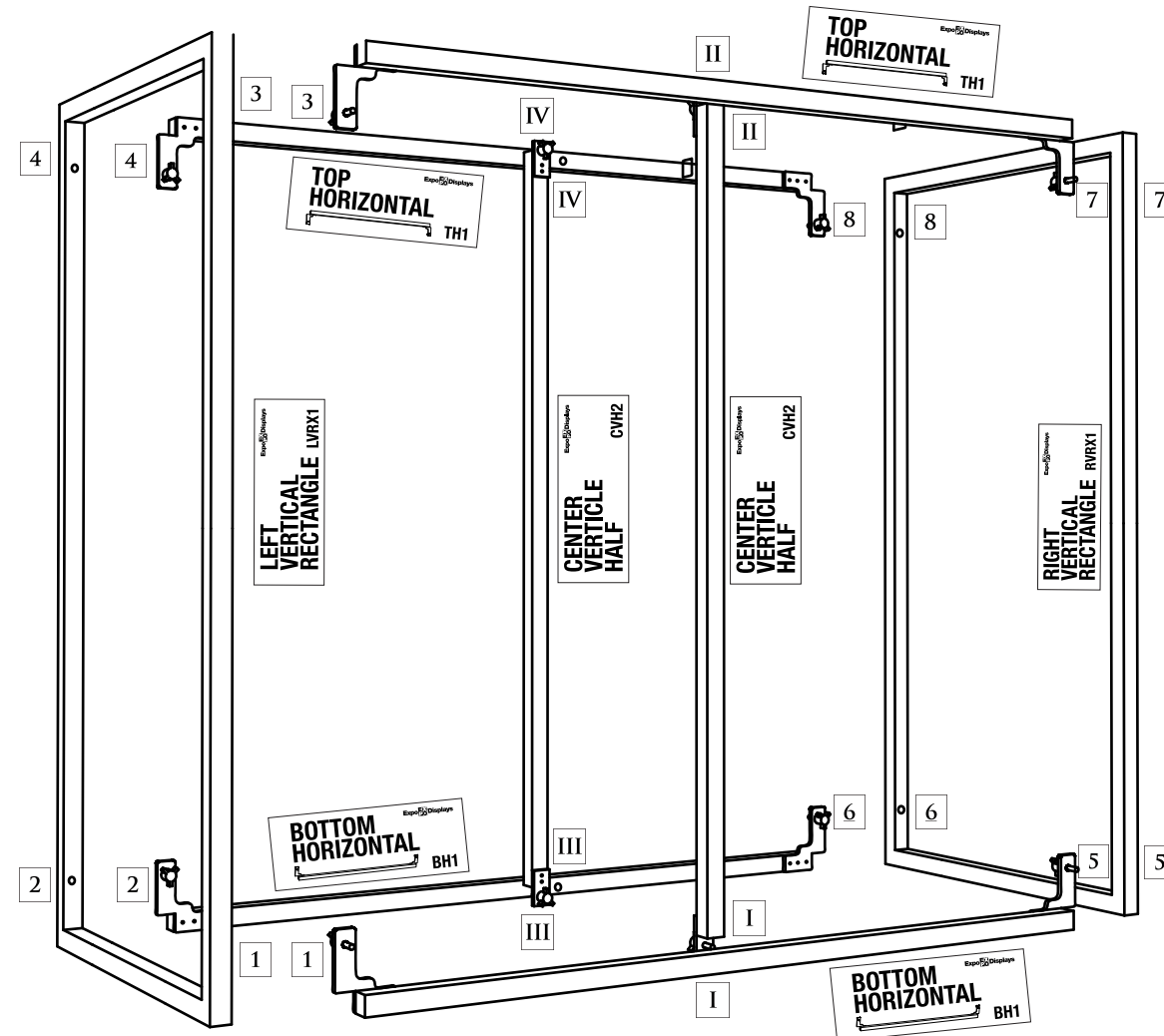
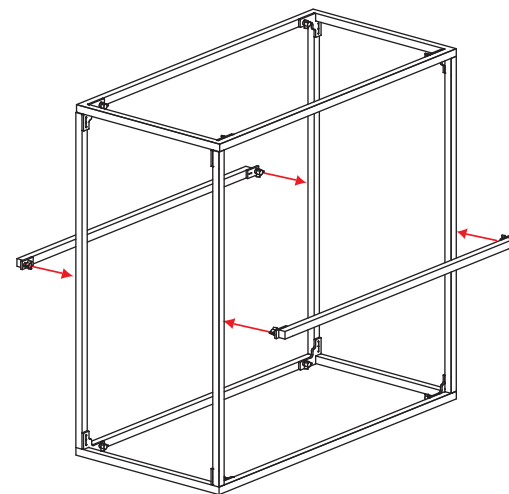
**2nd Step)**

ATTACH THE (RVRX1).



**3rd Step)**

ATTACH THE (2) (CVH2).



**Expo Displays**  
A Division of Diamond Displays International

3401 Mary Taylor Road  
Birmingham, Alabama 35235  
(205) 439-8200

THIS PART USED TO MAKE  
**MQX-F22**  
2x2 MAX FRAME

Sheet Title

**ASSEMBLY  
INSTRUCTIONS**  
**2x2 MAX FRAME**  
**MQX-F22**

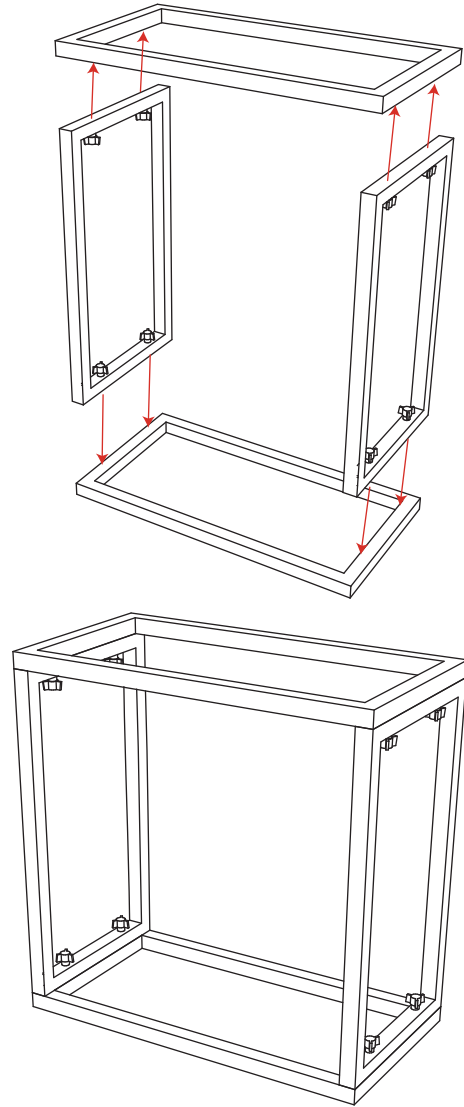
APPENDIX U

**PARTS LIST:**

#	LABEL	NAME
1	LVR1	LEFT VERTICAL RECTANGLE
1	RVR1	RIGHT VERTICAL RECTANGLE
1	BHR2	BOTTOM HORIZONTAL
1	THR2	TOP HORIZONTAL RECTANGLE
1	CT1223	COUNTER TOP
8	RED	2" THUMB SCREWS
0	GRN	1" THUMB SCREWS

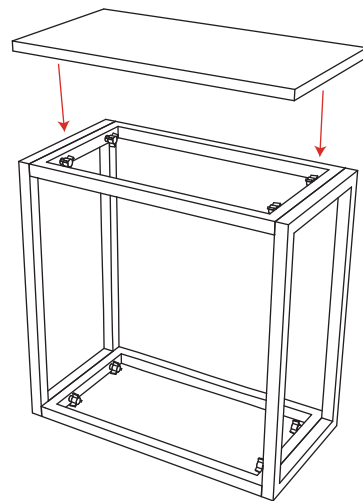
**1st Step)**

START WITH THE (LVR1) ON THE GROUND. ATTACH THE (THR2), AND (BHR2) THEN ATTACH THE (RVR1)

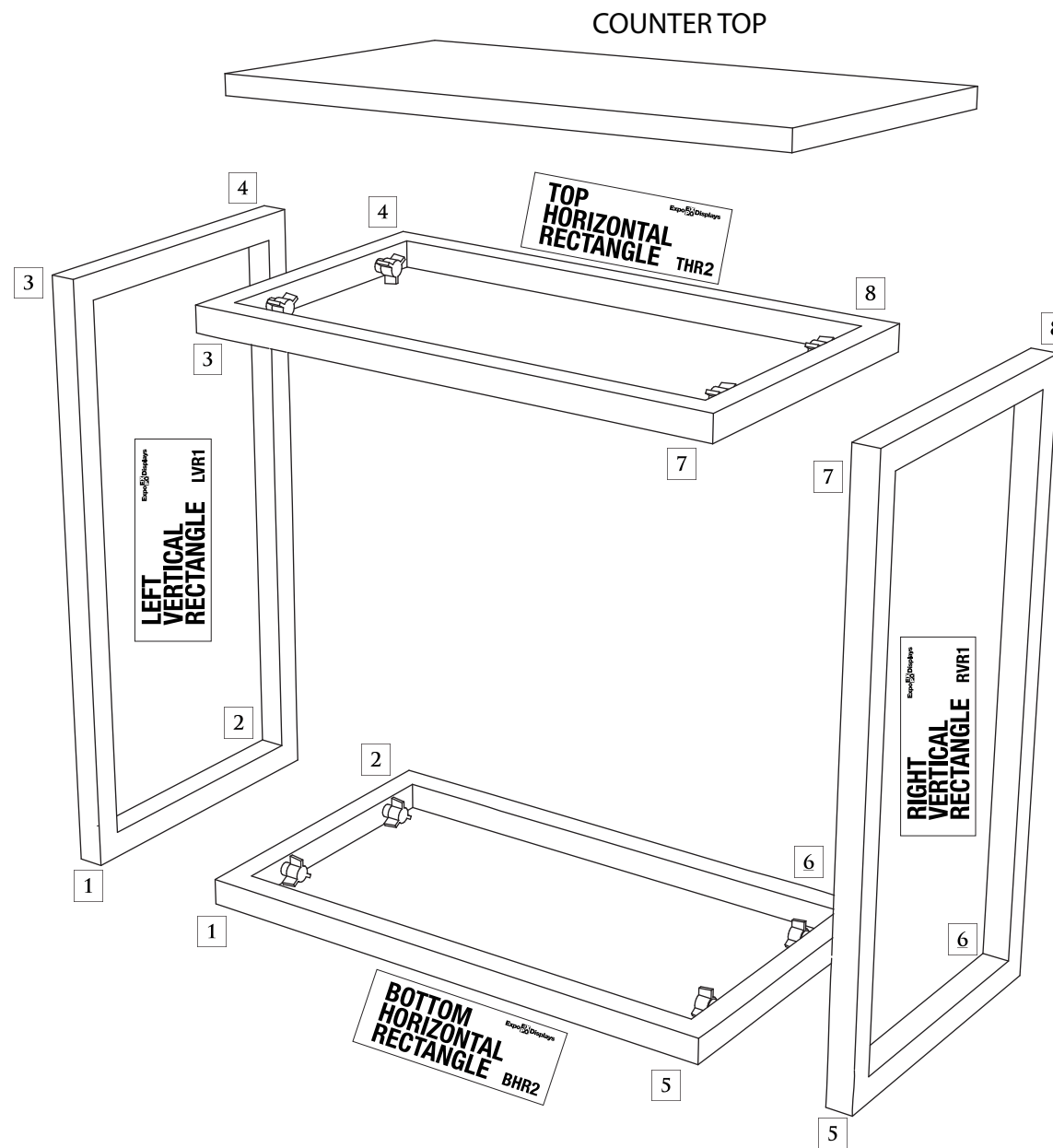


**2nd Step)**

ATTACH THE COUNTER TOP



\*MATCH NUMBERS TO CONSTRUCT.



**Expo EX PO Displays**  
A Division of Diamond Displays International

3401 Mary Taylor Road  
Birmingham, Alabama 35235  
(205) 439-8200

THIS PART USED TO MAKE  
**MQ-F11**  
1X1 STANDARD FRAME

Sheet Title

**ASSEMBLY  
INSTRUCTIONS  
1X1 STND COUNTER  
MQ-F11C**

APPENDIX X