

WHEN ASSEMBLING **EXPO MultiQuad**[®]

REMEMBER YOUR **ABC**'s...

ASSEMBLE EACH COMPONENT SEPARATELY

BUILD THE DESIRED LAYOUT

COVER YOUR MULTIQUAD LAYOUT WITH QUADS



EXPO MultiQuad[®]
An **ExpoDisplays** Product

Xzibits
20'x20' Custom MultiQuad



Expo EXPO Displays[®]
A Division of Diamond Displays International

3401 Mary Taylor Road
Birmingham, Alabama 35235
(205) 439-8200

Job #: 67506

Project Title

20x20 MULTIQUAD

Sheet Title

ASSEMBLY
INSTRUCTIONS
COVER SHEET

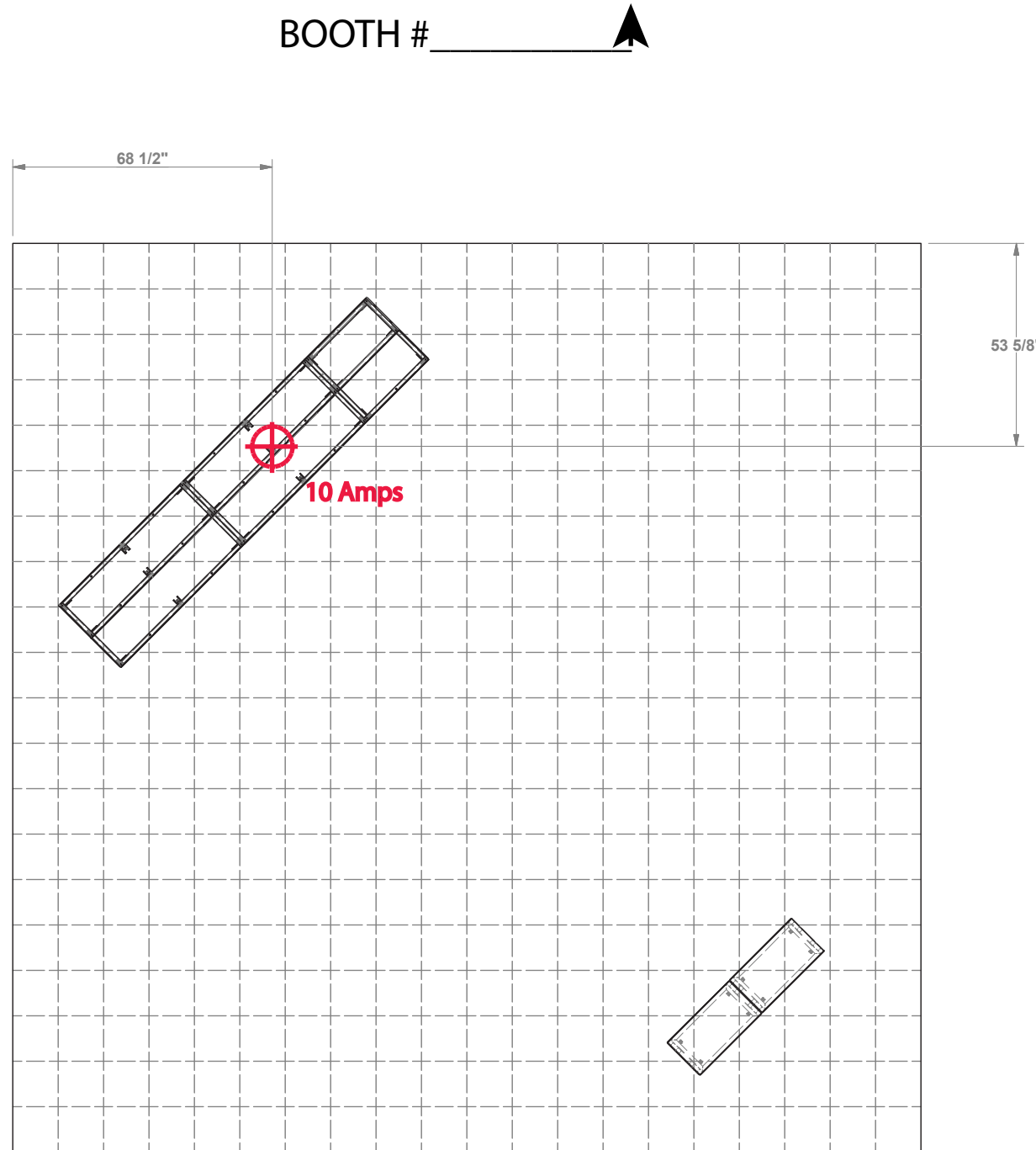


Project Title

20x20 MULTIQAD

Sheet Title

**ASSEMBLY INSTRUCTIONS
ELECTRICAL PLAN**



BOOTH # ↑

BOOTH # →

BOOTH # →

BOOTH # ↓

FRONT OF DISPLAY ↓

1 Square = 1'- 0"

SHOW: _____

BOOTH: _____

	MAIN ELECTRICAL DROP
	ELECTRICAL OUTLET
	POWER CORDS RUN UNDER CARPET



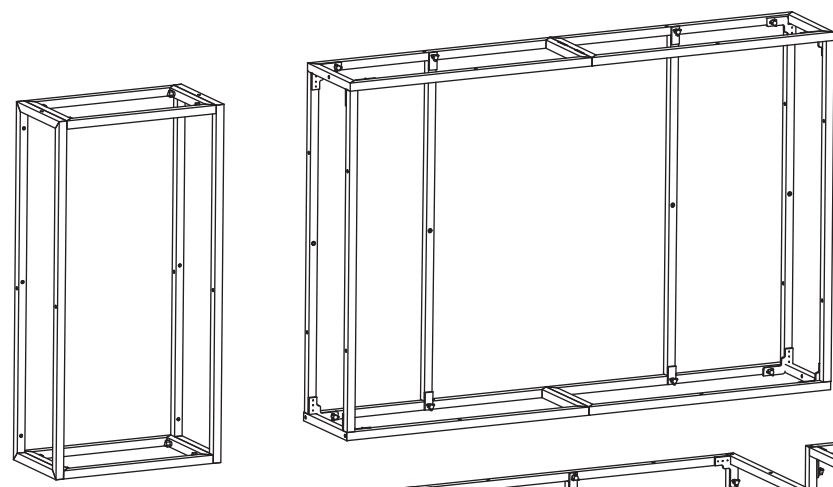
Project Title

20x20 MULTIQUAD

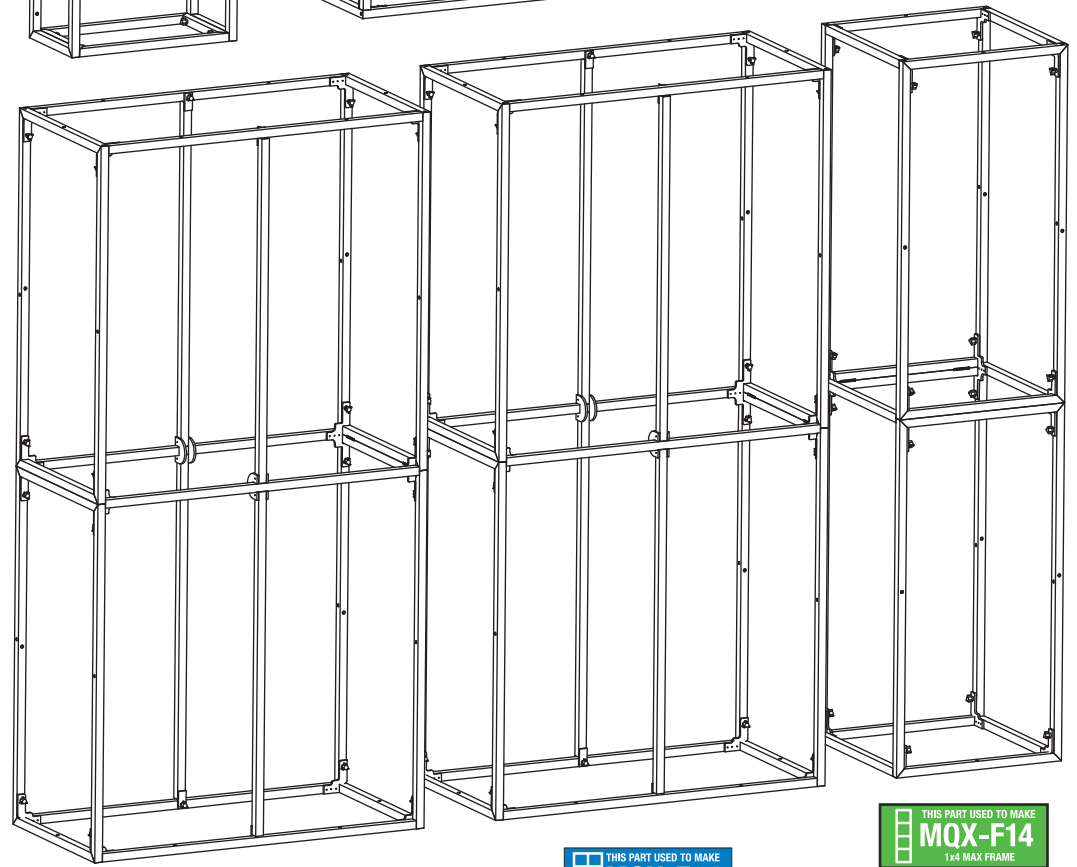
Sheet Title

ASSEMBLY
INSTRUCTIONS
EXPLODED LAYOUT

THIS PART USED TO MAKE
MQ-F12
1x2 STANDARD FRAME
(SEE APPENDIX T)



THIS PART USED TO MAKE
CUSTOM
CUSTOM COMPONENT



THIS PART USED TO MAKE
MQX-F24
2x4 MAX FRAME
MAX FRAME
(SEE APPENDIX J)

THIS PART USED TO MAKE
MQX-F14
1x4 MAX FRAME
MAX FRAME
(SEE APPENDIX J)

THIS PART USED TO MAKE
MQX-F14
1x4 MAX FRAME
MAX FRAME
(SEE APPENDIX N)

THIS PART USED TO MAKE
MQ-F14
1x4 STANDARD FRAME
STANDARD FRAME
(SEE APPENDIX D)

THIS PART USED TO MAKE
MQ-POD1
1x1 PODIUM
STANDARD PODIUM
(SEE APPENDIX F)

THIS PART USED TO MAKE
MQ-POD1
1x1 PODIUM
STANDARD PODIUM
(SEE APPENDIX F)

STEP 1:

ASSEMBLE ALL LISTED FRAMES
SEPARATELY USING APPENDIX PAGES



Project Title

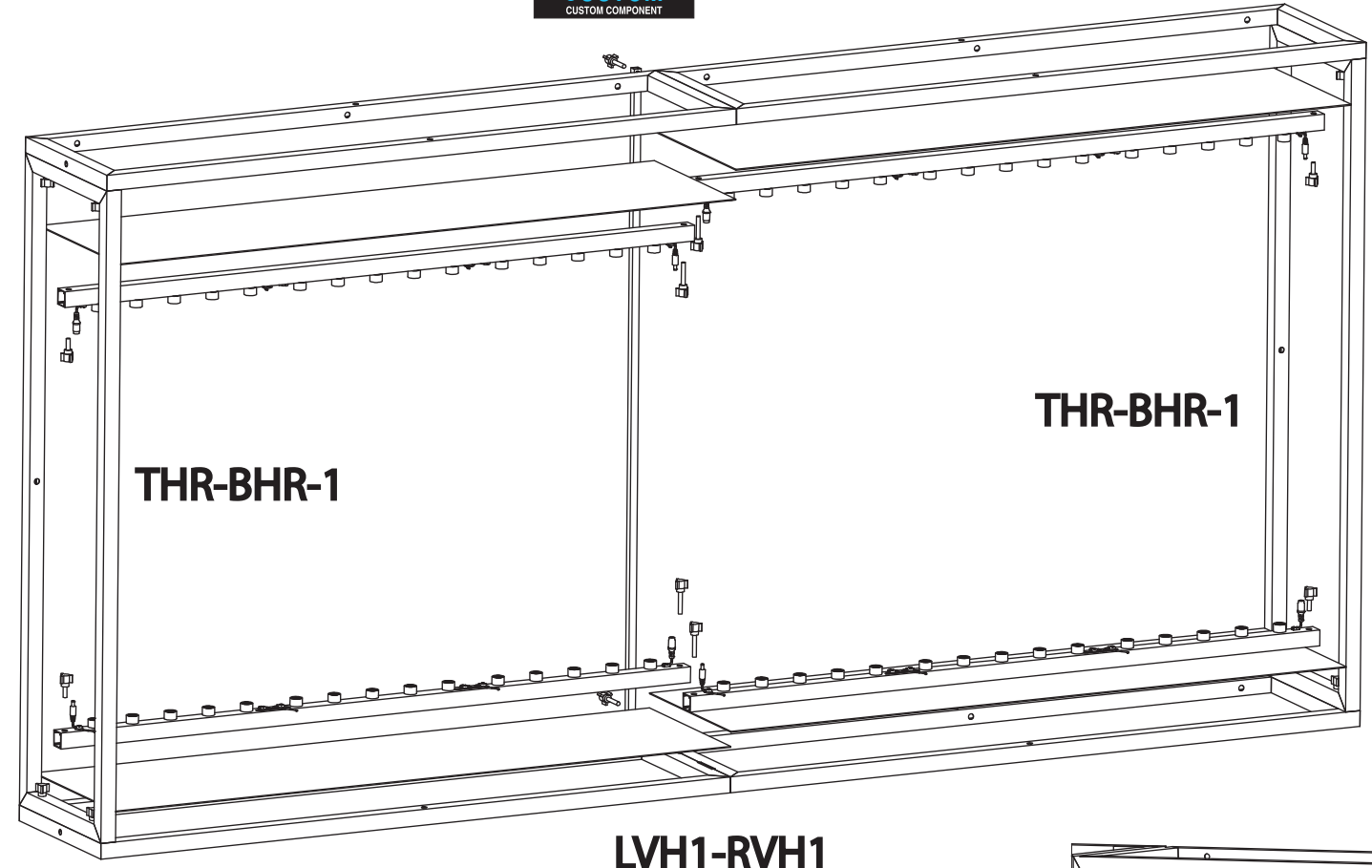
20x20 MULTIQUAD

Sheet Title

**ASSEMBLY
INSTRUCTIONS
DESIRED LAYOUT**

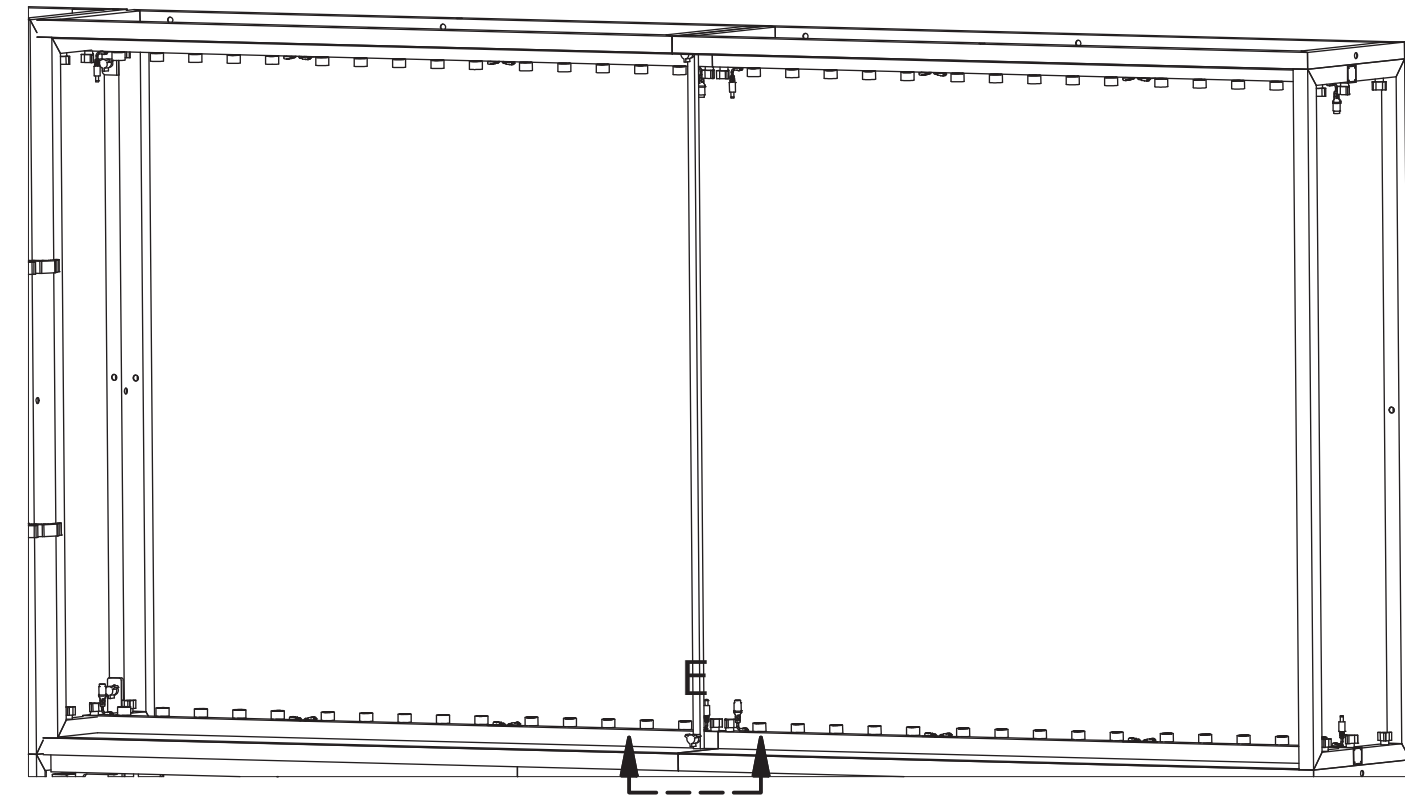
THIS PART USED TO MAKE
STOP CUSTOM STOP
CUSTOM COMPONENT

LVH1-RVH1



DETAIL E

LVH1-RVH1



THIS PART USED TO MAKE
STOP CUSTOM STOP
CUSTOM COMPONENT

STEP 2:

INSTALL LIGHTBARS ON TOP AND BOTTOM
OF CUSTOM FRAME (REFERENCE APPENDIX J)



Project Title

20x20 MULTIQAD

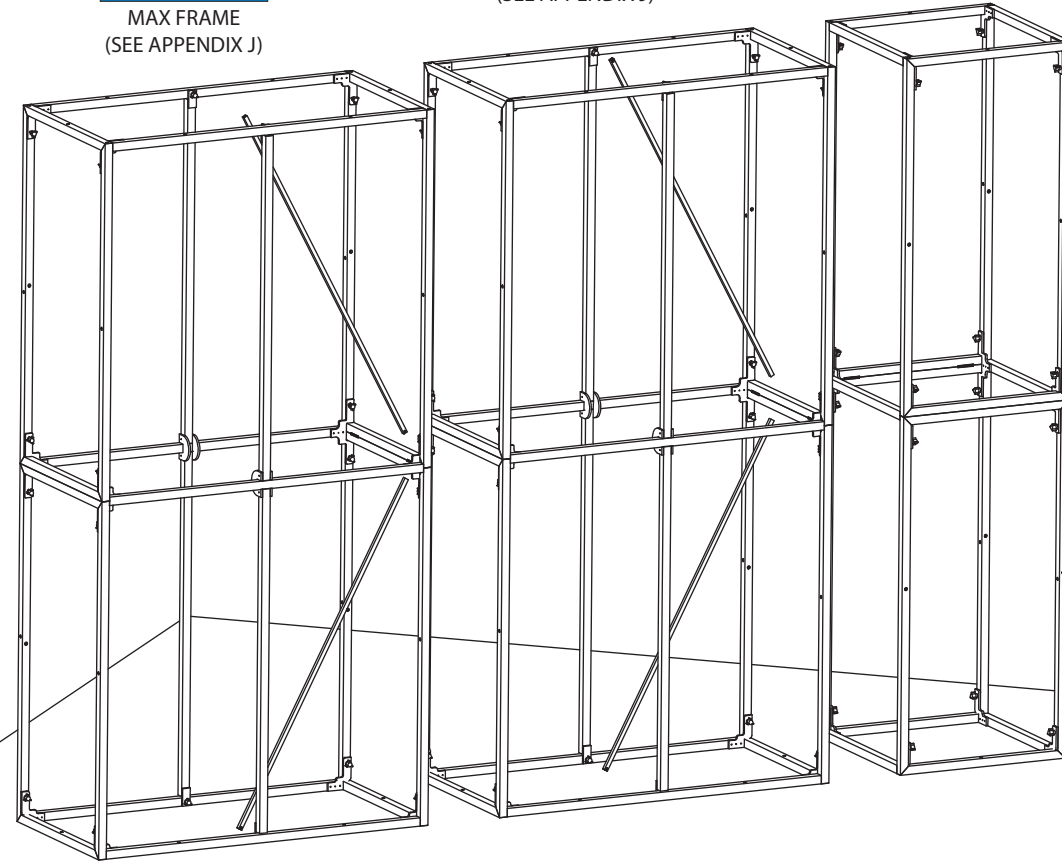
Sheet Title

**ASSEMBLY
INSTRUCTIONS**

THIS PART USED TO MAKE
MOX-F24
2x4 MAX FRAME
MAX FRAME
(SEE APPENDIX J)

THIS PART USED TO MAKE
MOX-F24
2x4 MAX FRAME
MAX FRAME
(SEE APPENDIX J)

THIS PART USED TO MAKE
MOX-F14
1x4 MAX FRAME
MAX FRAME
(SEE APPENDIX N)



STEP 3:

ADD DIAGONALS FOR EXTRA SUPPORT



Project Title

20x20 MULTIQUAD

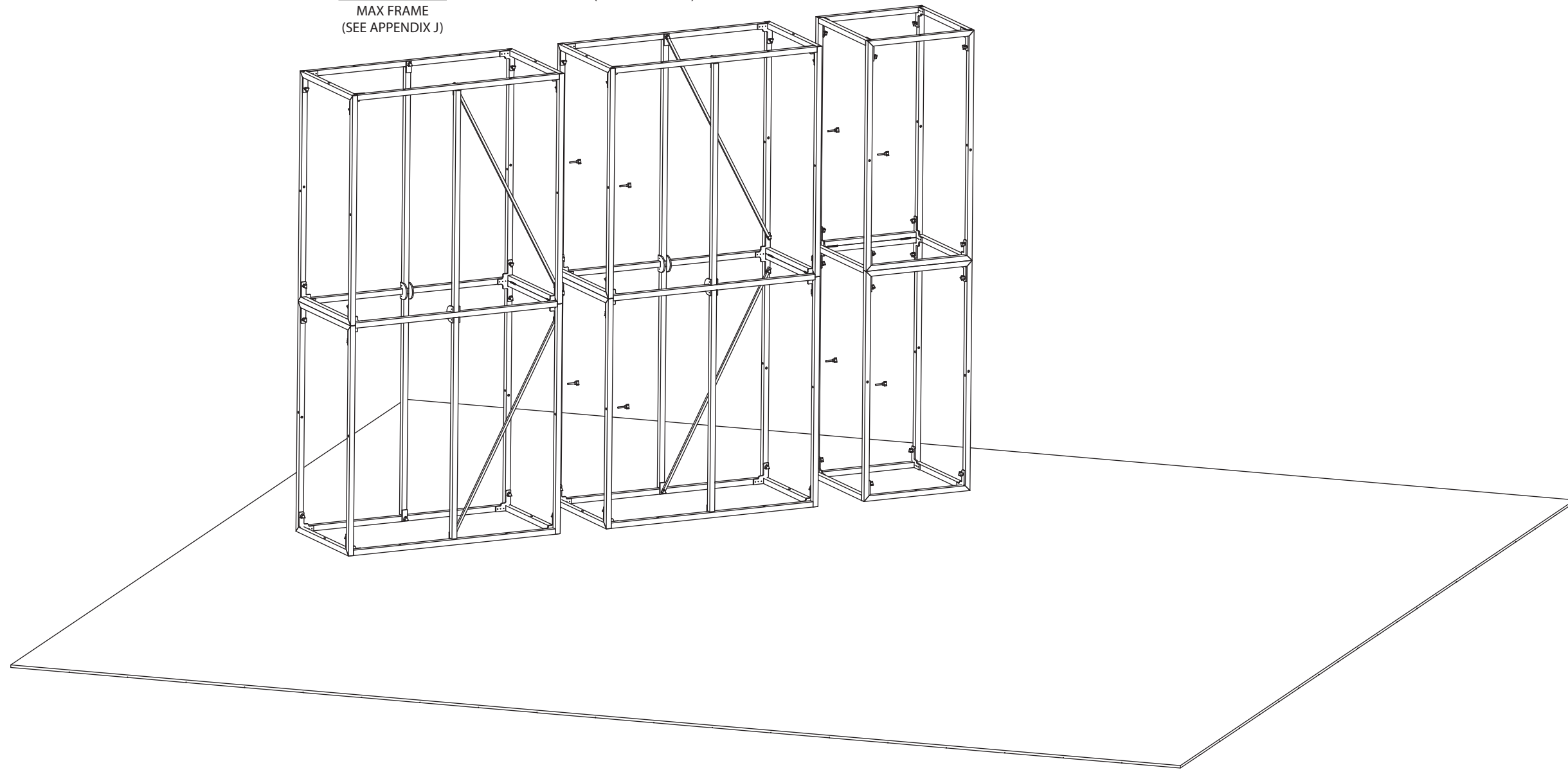
Sheet Title

**ASSEMBLY
INSTRUCTIONS**

THIS PART USED TO MAKE
MQX-F24
2x4 MAX FRAME
MAX FRAME
(SEE APPENDIX J)

THIS PART USED TO MAKE
MQX-F24
2x4 MAX FRAME
MAX FRAME
(SEE APPENDIX J)

THIS PART USED TO MAKE
MQX-F14
1x4 MAX FRAME
MAX FRAME
(SEE APPENDIX N)

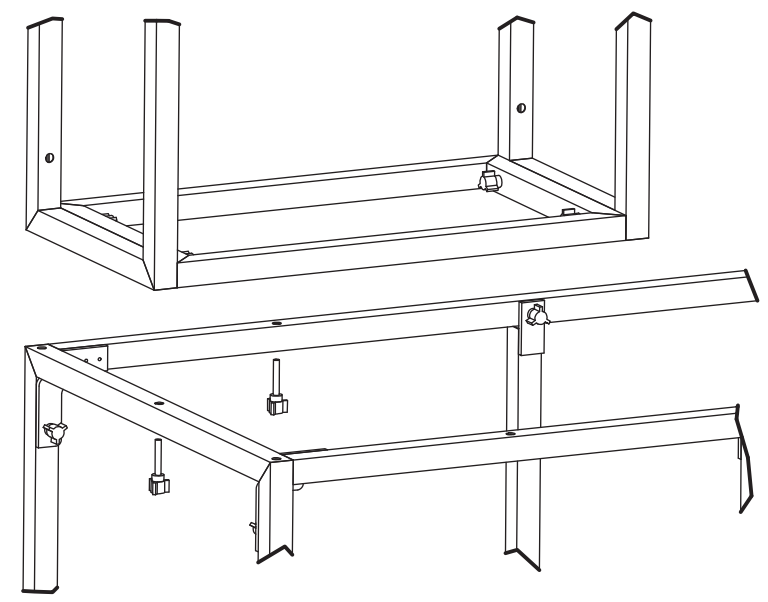
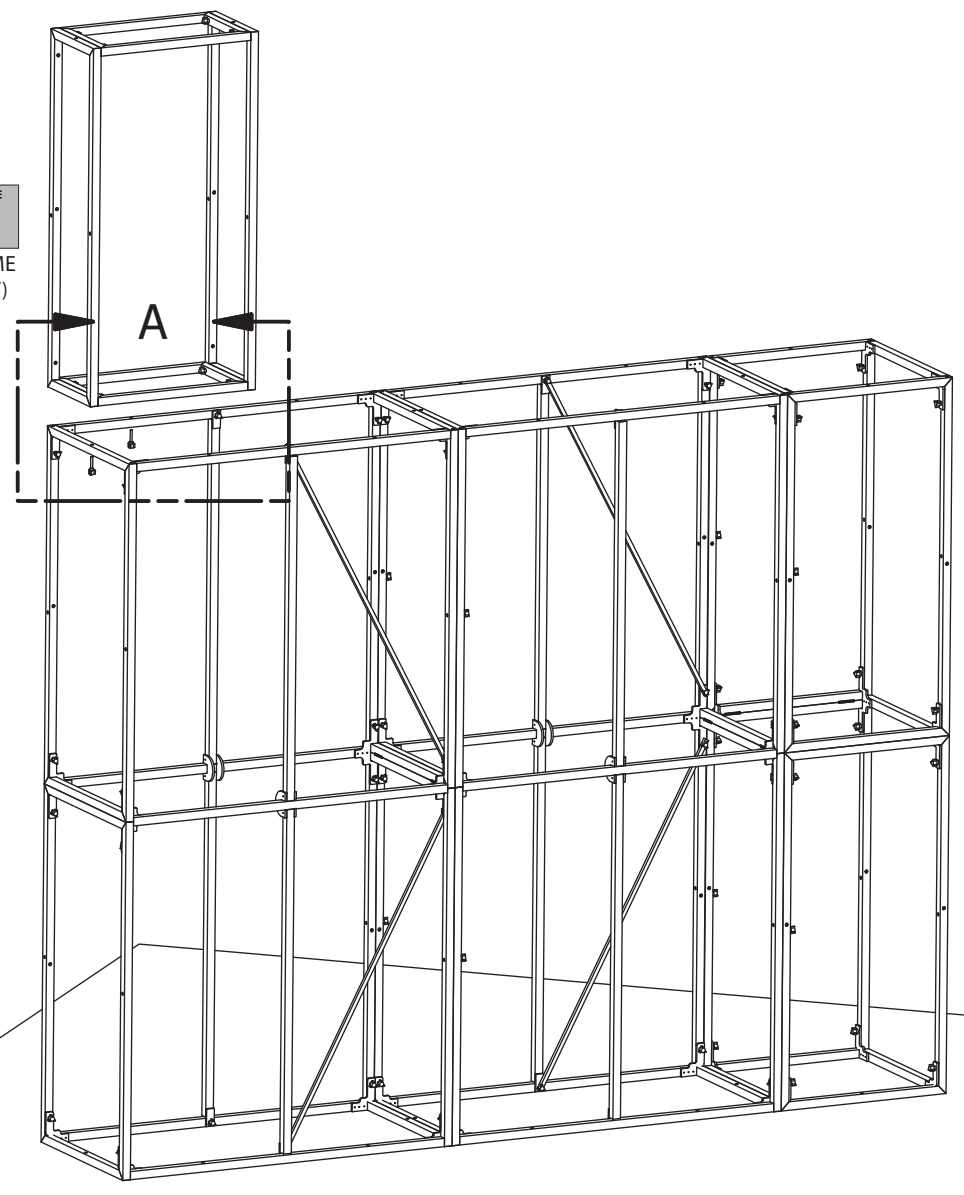


STEP 4:

JOIN LISTED FRAMES WITH RED THUMBSCREWS
(SEE APPENDIX A)



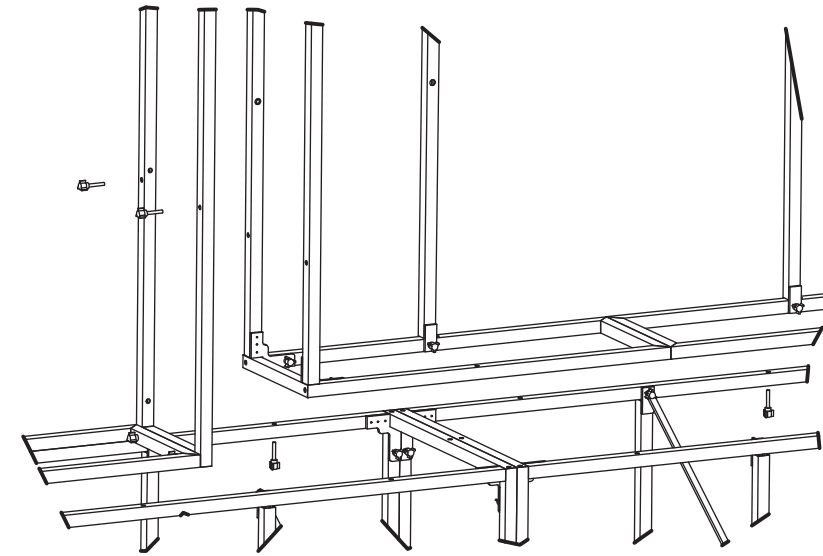
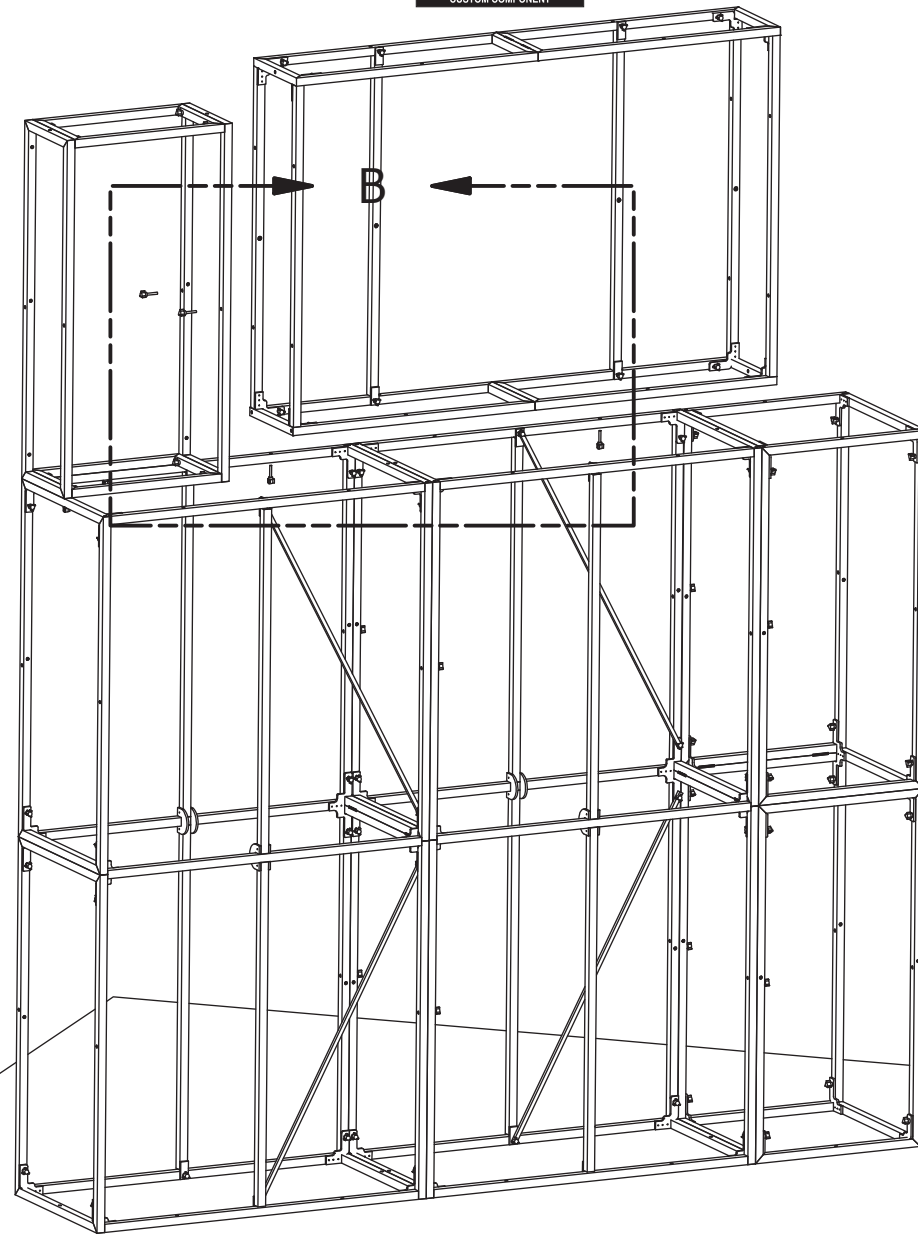
THIS PART USED TO MAKE
MQ-F12
1x2 STANDARD FRAME
(SEE APPENDIX T)



DETAIL A

STEP 5:
JOIN LISTED FRAMES WITH RED THUMBSCREWS AS SHOWN (SEE APPENDIX A)

THIS PART USED TO MAKE
STOP CUSTOM STOP
CUSTOM COMPONENT



DETAIL B

STEP 6:

JOIN LISTED FRAMES WITH RED THUMBSCREWS AS SHOWN (SEE APPENDIX A)

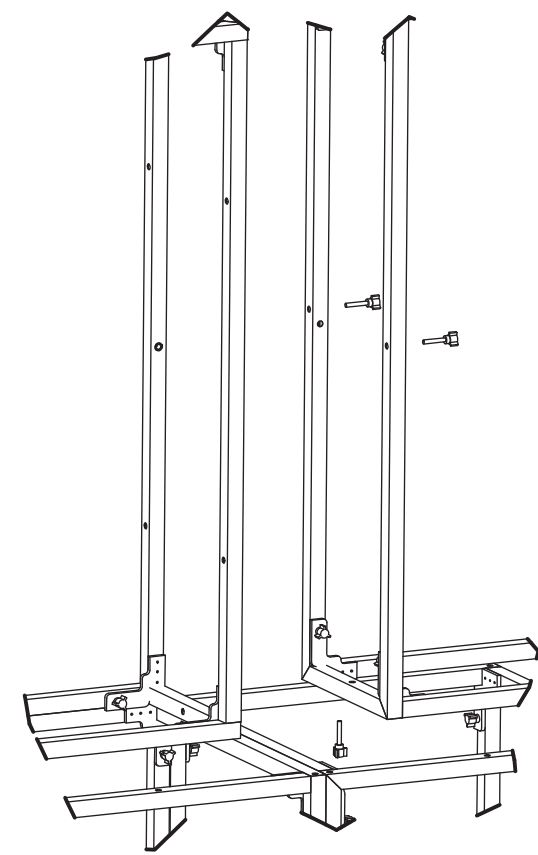
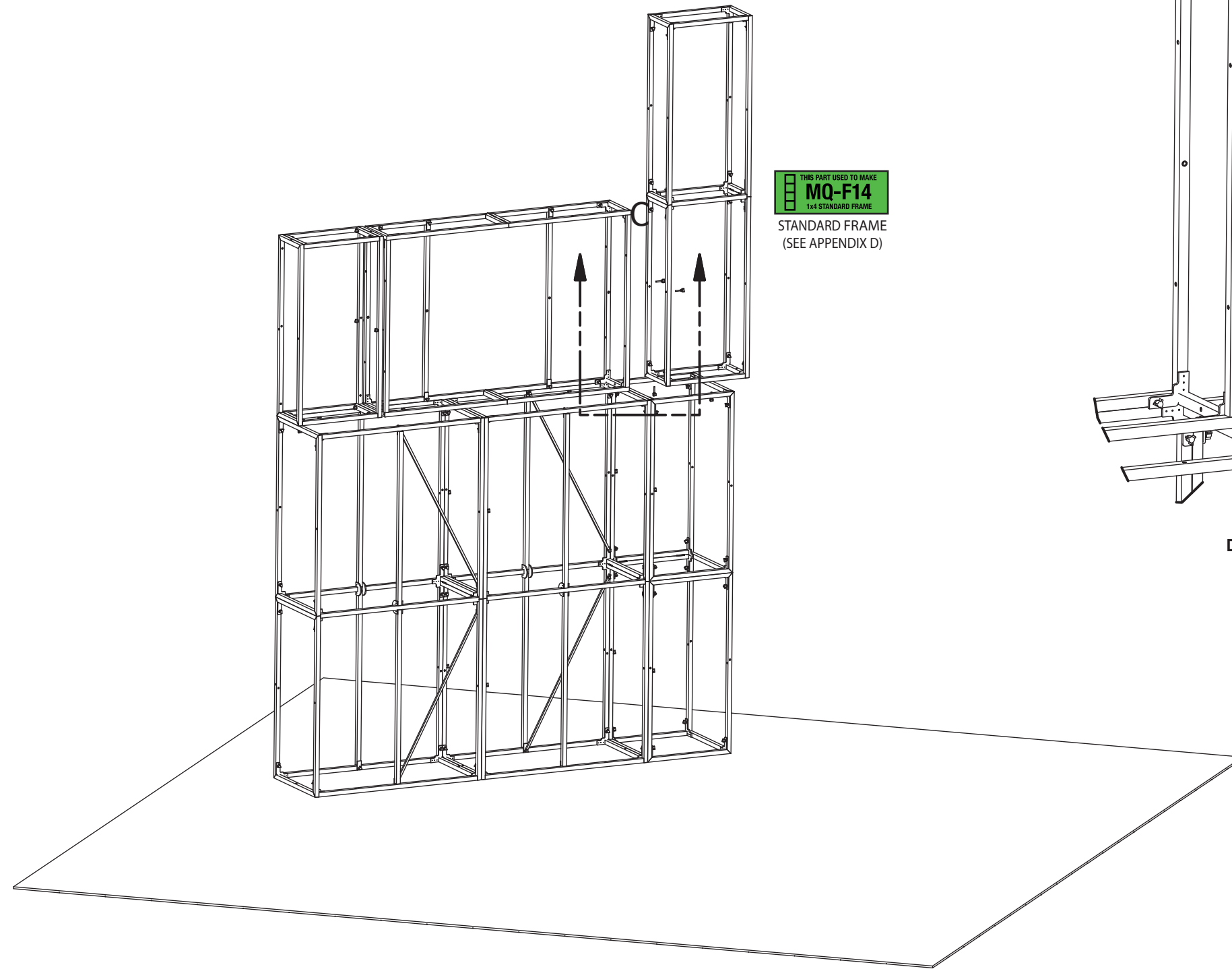


Project Title

20x20 MULTIQUAD

Sheet Title

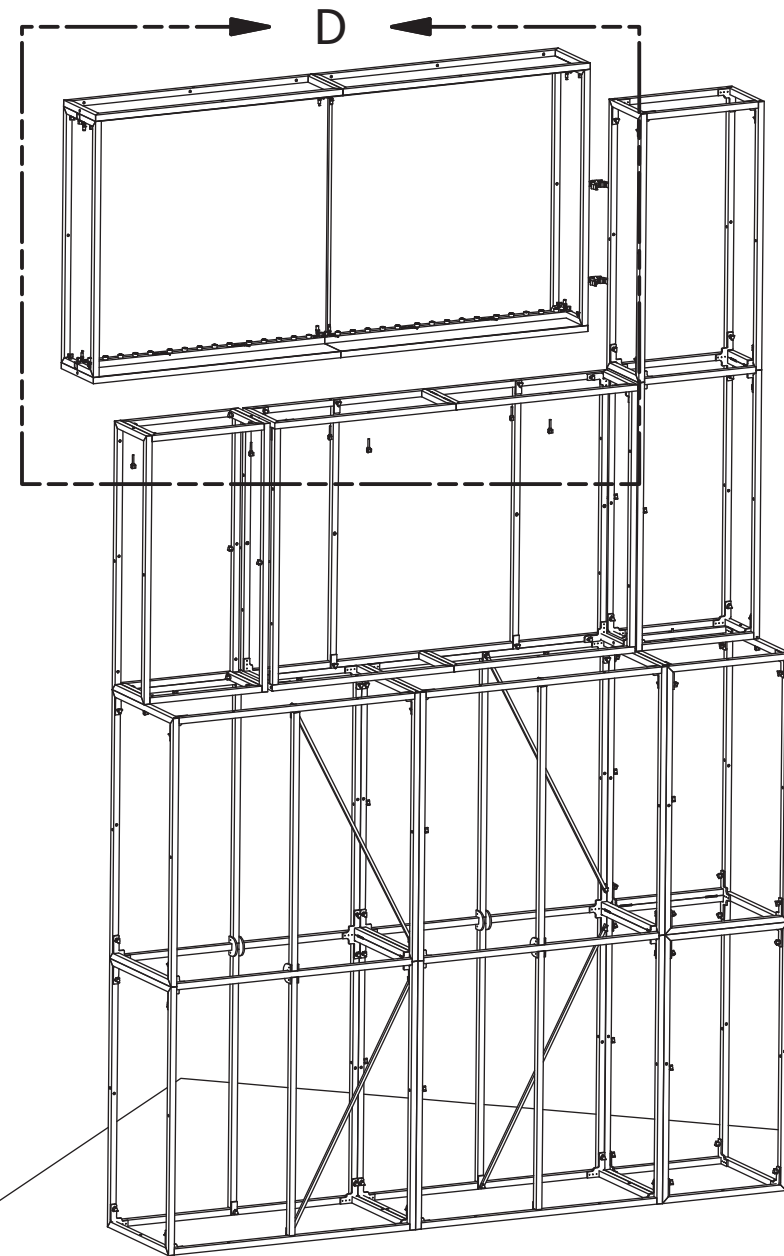
ASSEMBLY INSTRUCTIONS



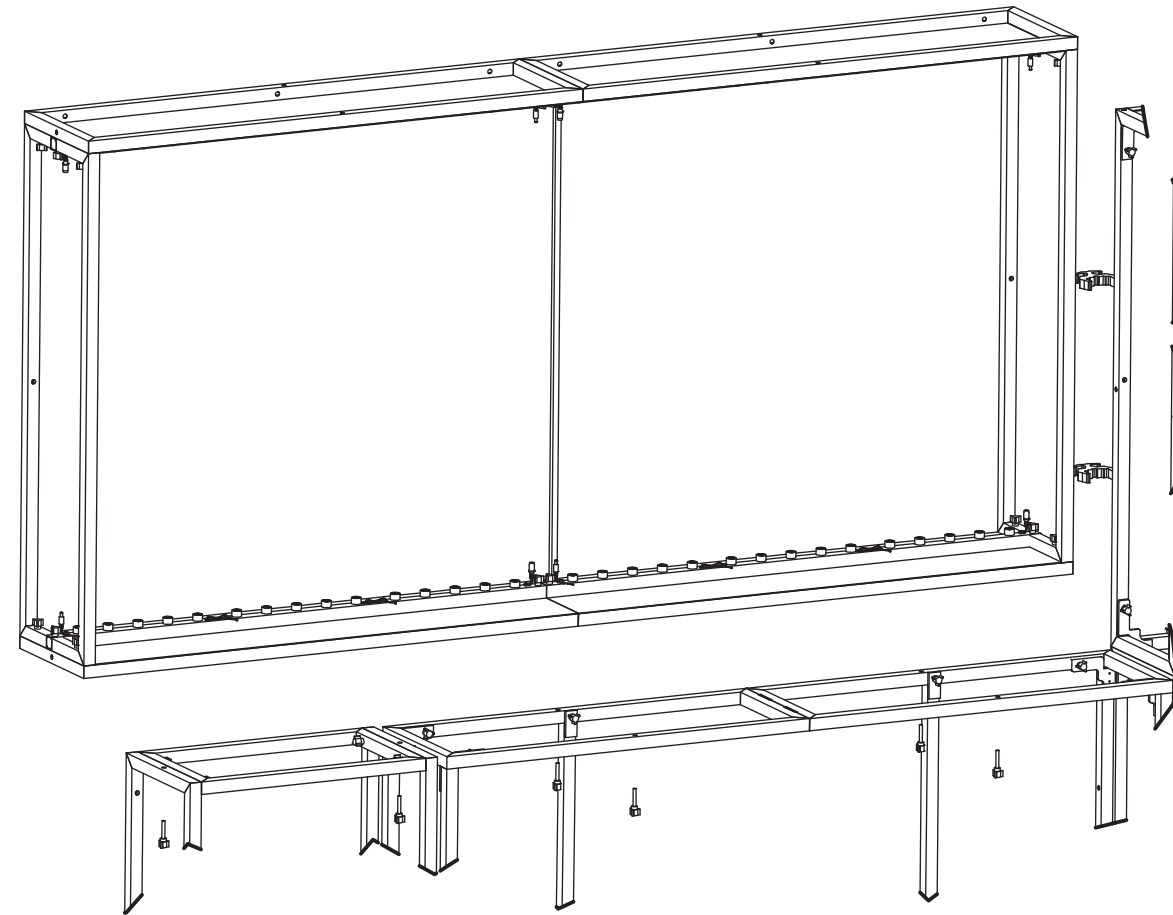
DETAIL C

STEP 7:

JOIN LISTED FRAMES WITH RED THUMBSCREWS AS SHOWN (SEE APPENDIX A)



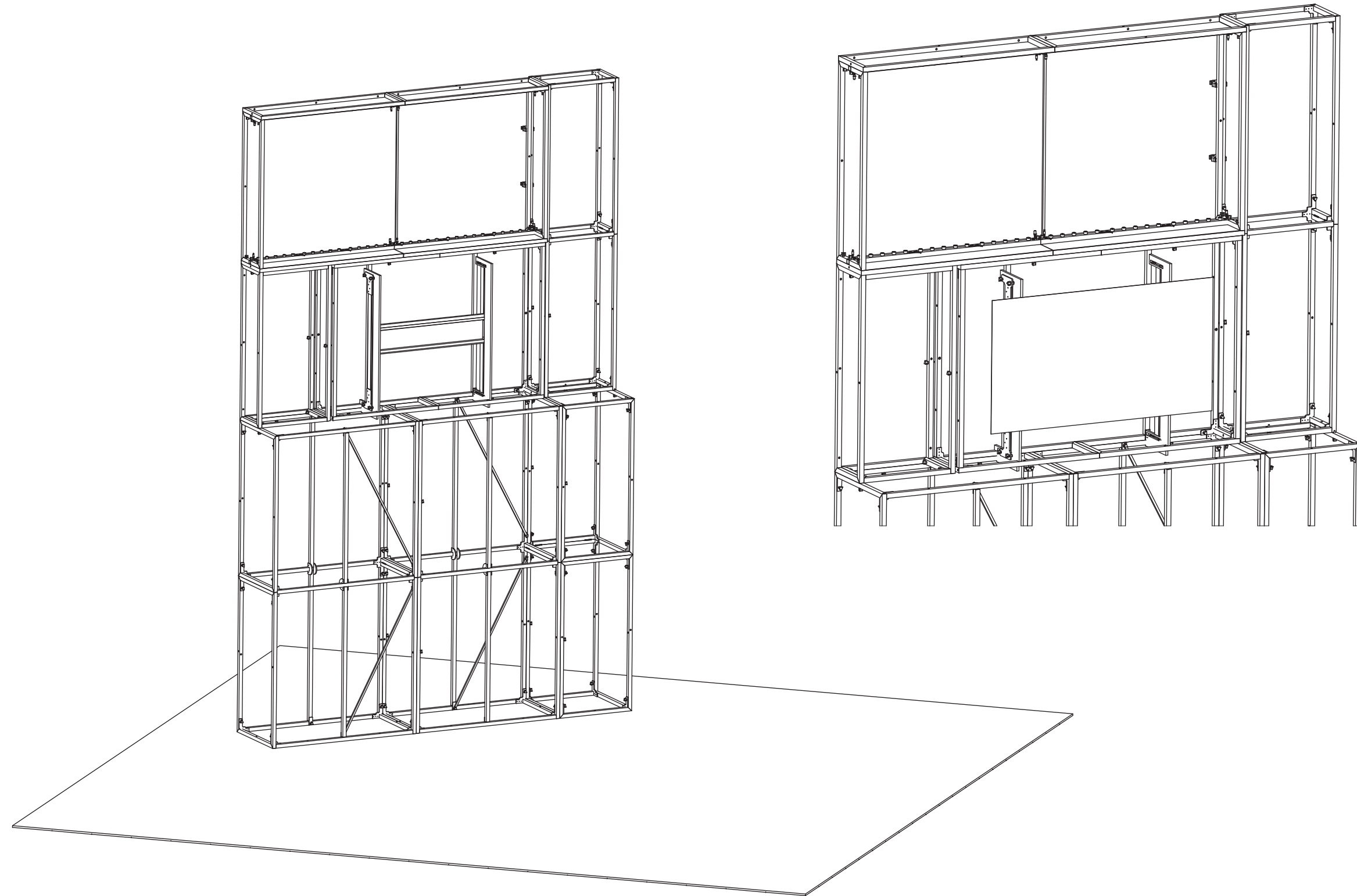
THIS PART USED TO MAKE
CUSTOM
CUSTOM COMPONENT



DETAIL D

STEP 8:

JOIN LISTED FRAMES WITH RED THUMBSCREWS AND PRESSURE CLAMPS AS SHOWN (SEE APPENDIX A)



STEP 9:

ADD MEDIA MOUNT THEN HANG TV



Expo EX PO Displays
A Division of Diamond Displays International

3401 Mary Taylor Road
Birmingham, Alabama 35235
(205) 439-8200

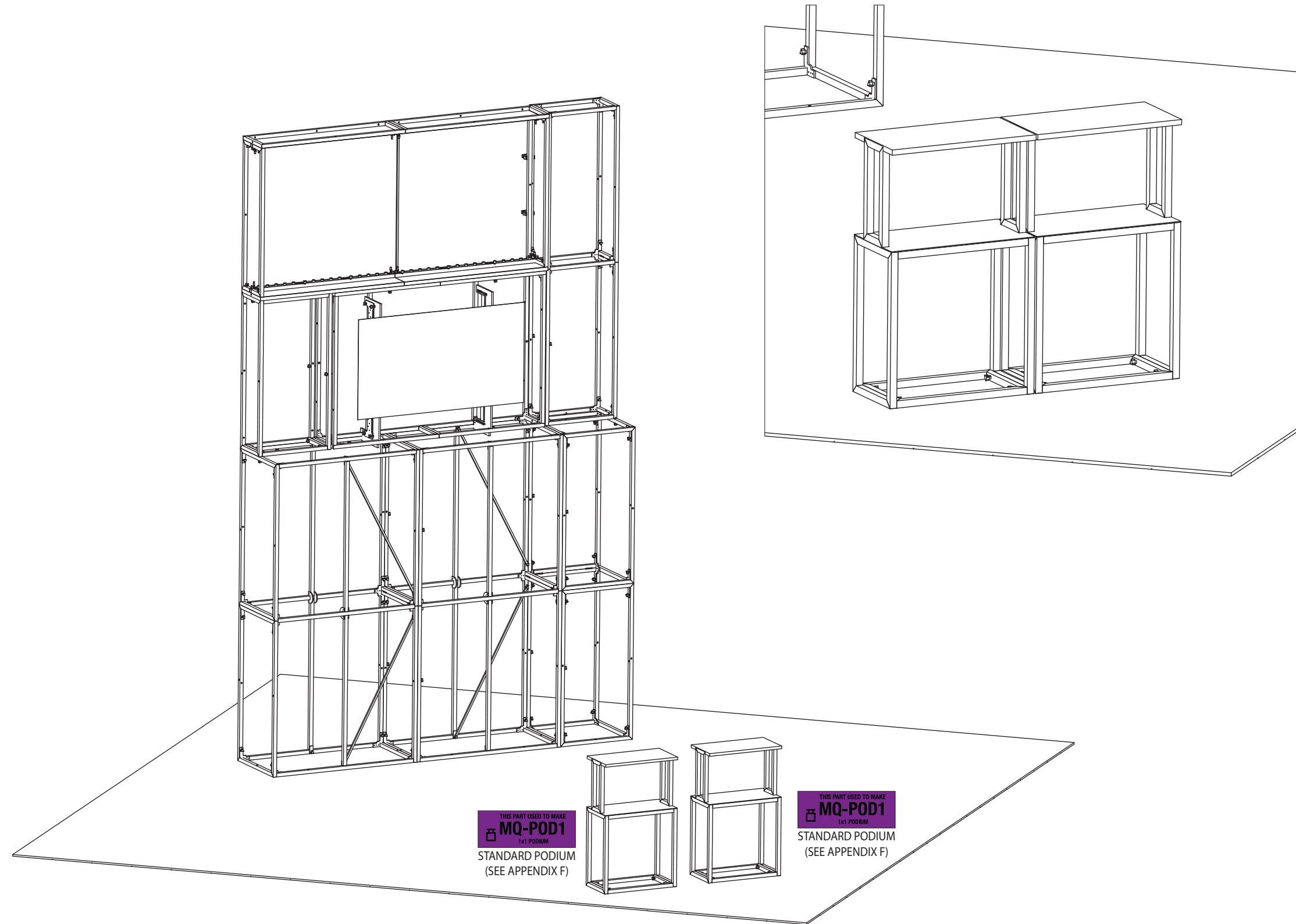
Job #: 67506

Project Title

20x20 MULTIQAD

Sheet Title

**ASSEMBLY
INSTRUCTIONS**



STEP 10:
SET PODIUMS IN FRONT AS SHOWN OR WHERE DESIRED



Expo EX PO Displays
A Division of Diamond Displays International

3401 Mary Taylor Road
Birmingham, Alabama 35235
(205) 439-8200

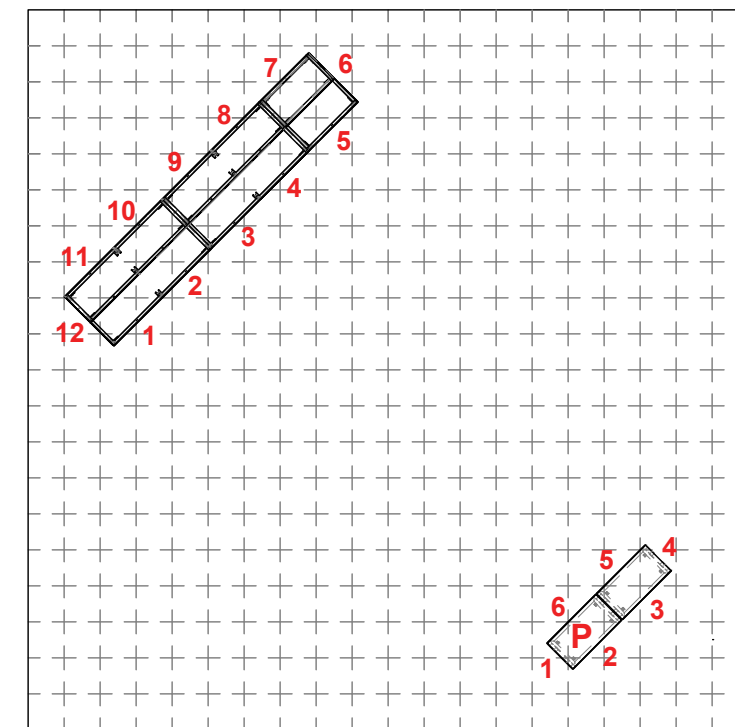
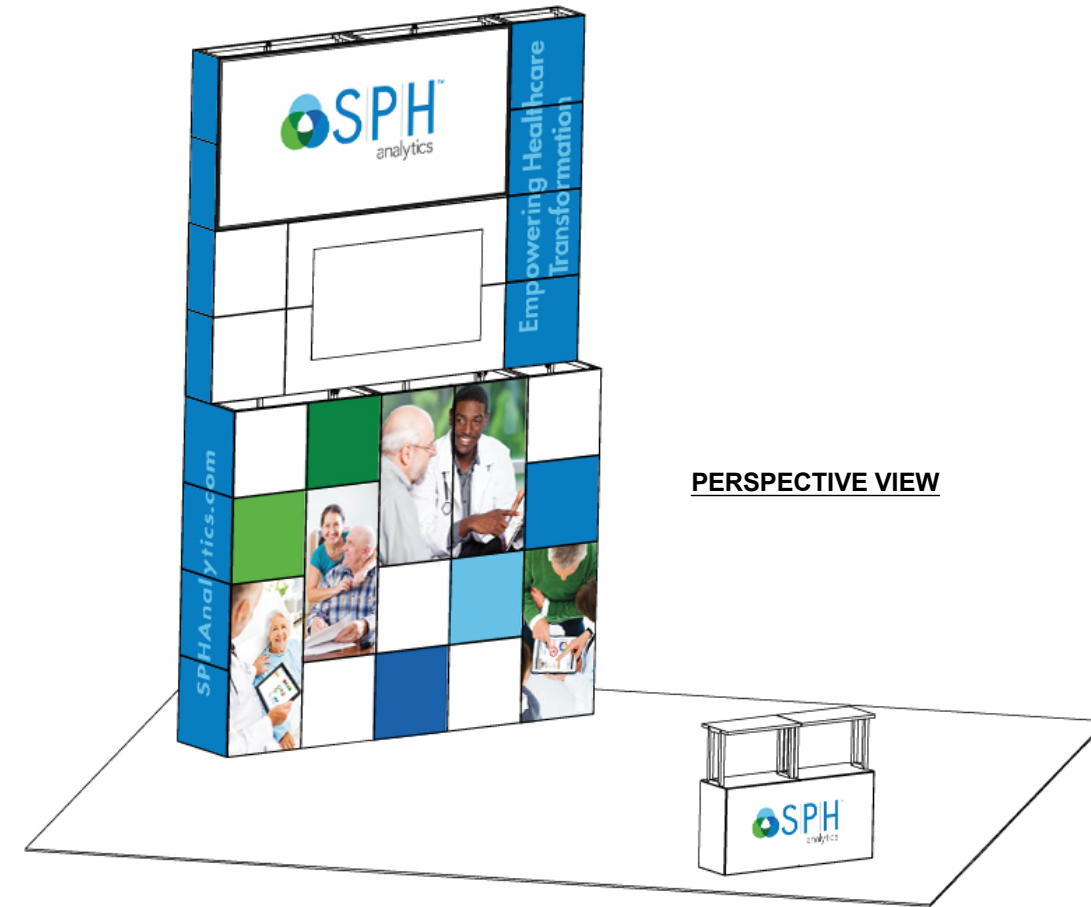
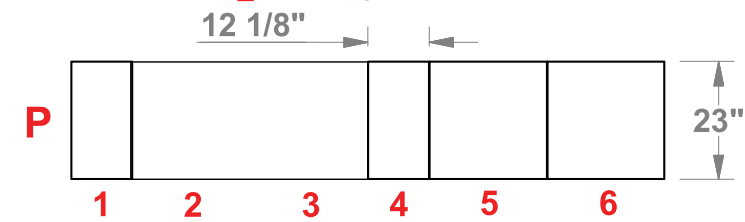
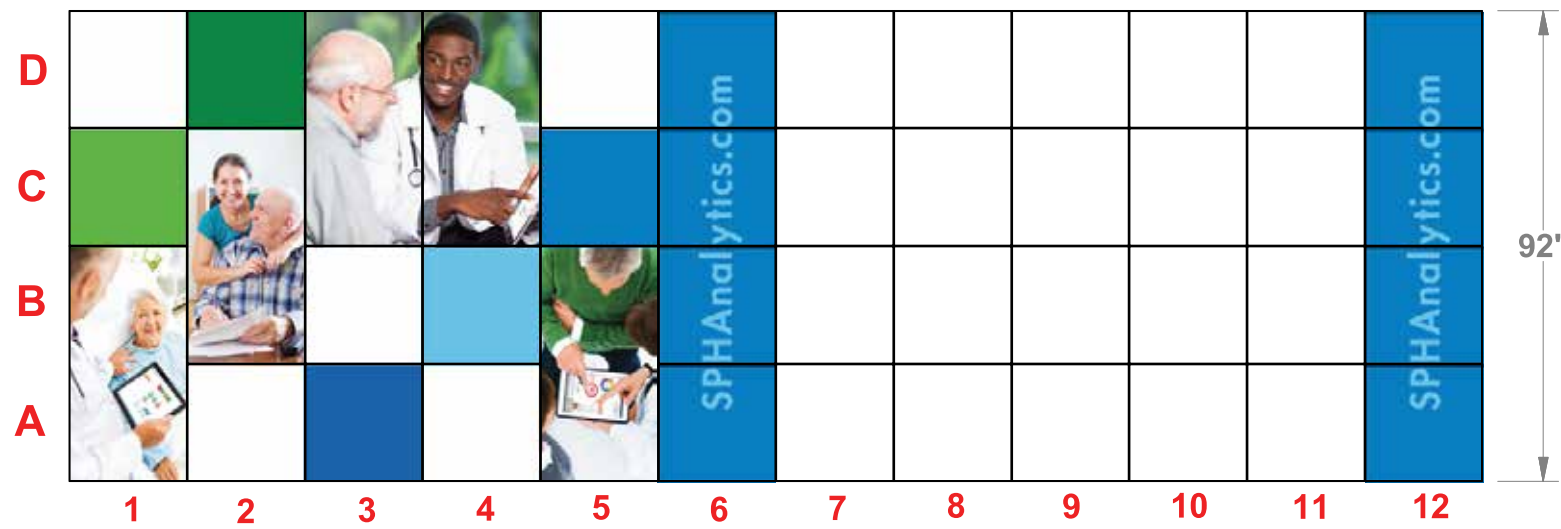
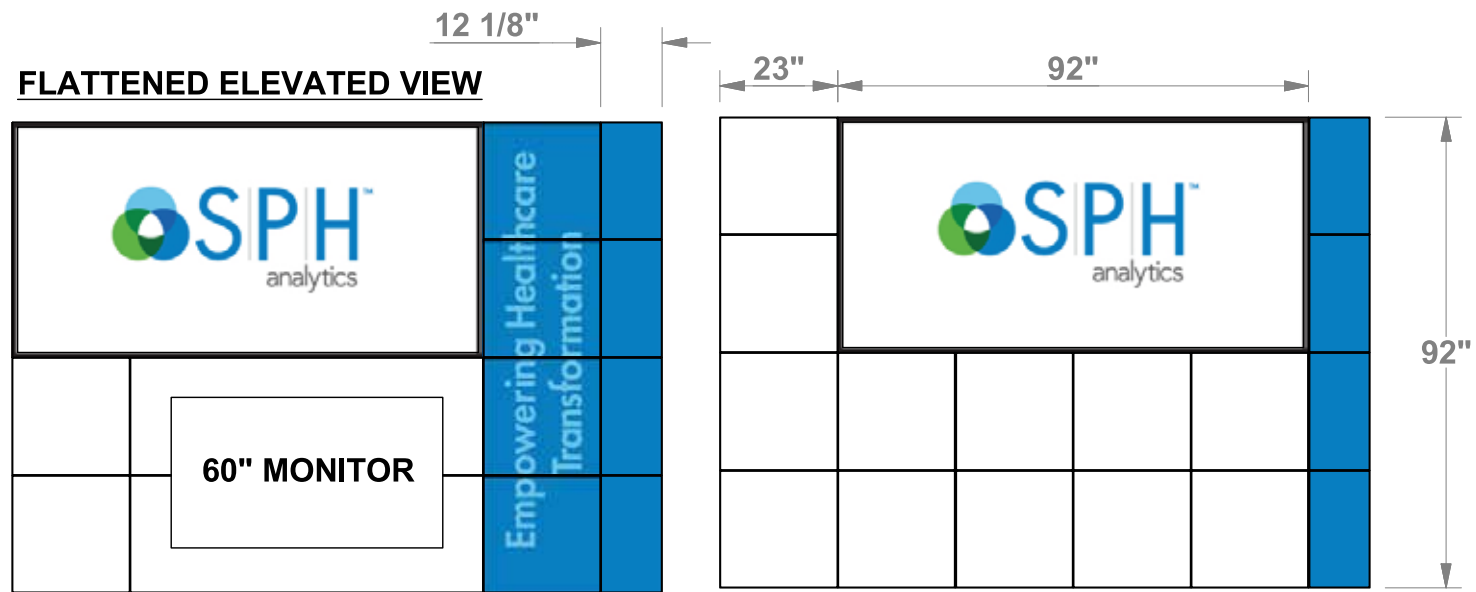
Job #: 67506

Project Title

20x20 MULTIQAD

Sheet Title

**ASSEMBLY
INSTRUCTIONS**



TOP VIEW

PARTS LIST:

#	SIZE	NAME
17	23x23	STANDARD QUAD
10	12.125x23	SIDE QUAD
2	46x92	BACK-LIT GRAPHIC
5	23x46	DOUBLE QUAD



Expo EXPO Displays
A Division of Diamond Displays International

3401 Mary Taylor Road
Birmingham, Alabama 35235
(205) 439-8200

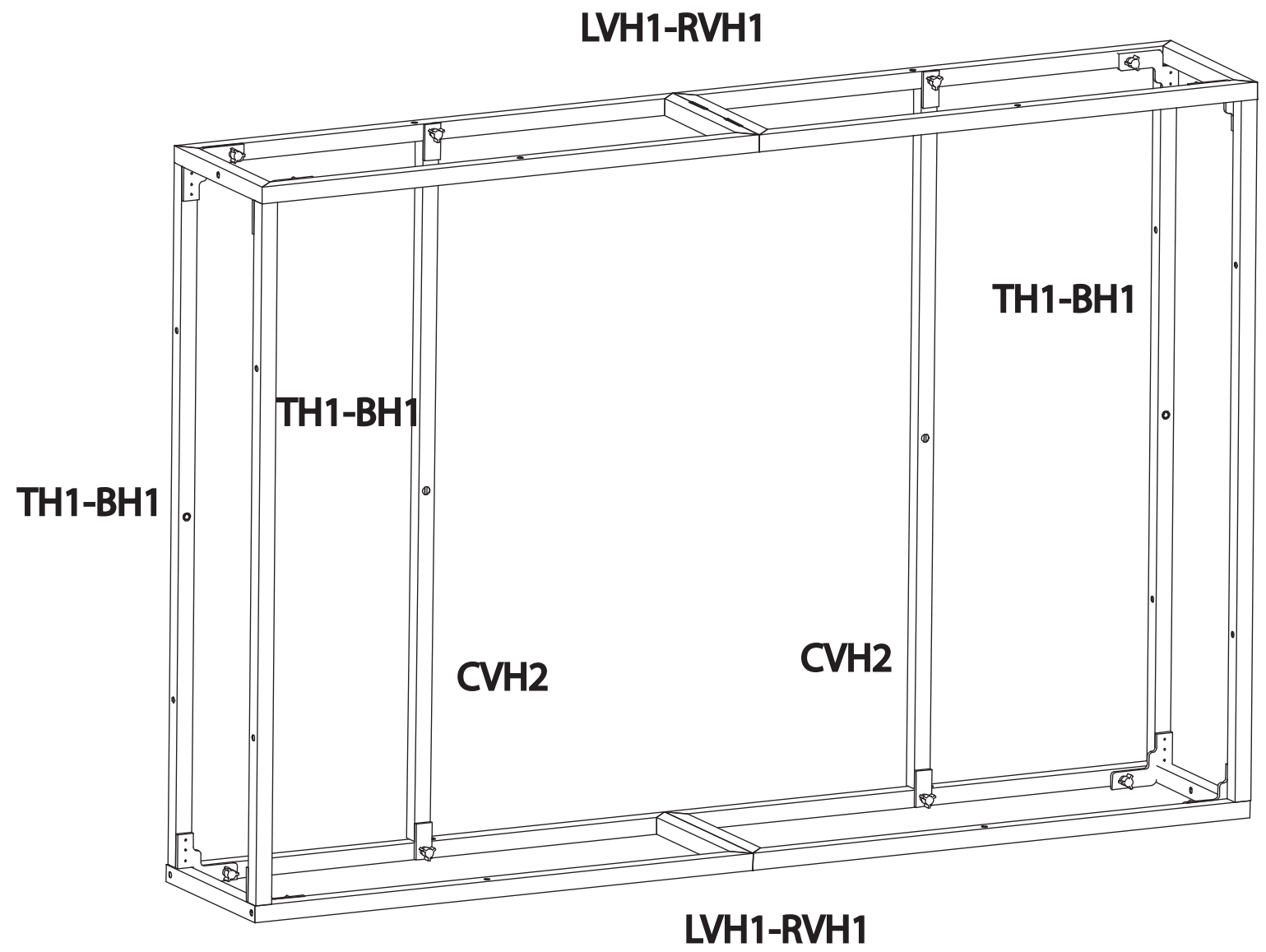
Job #: 67506

Project Title

20x20 MULTIQUAD

Sheet Title

ASSEMBLY INSTRUCTIONS
GRAPHIC LAYOUT

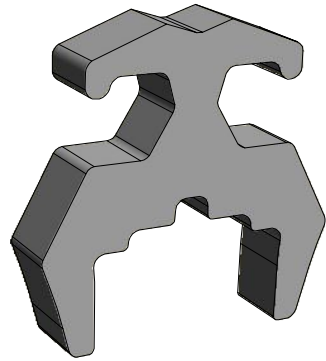


TH1-BH1

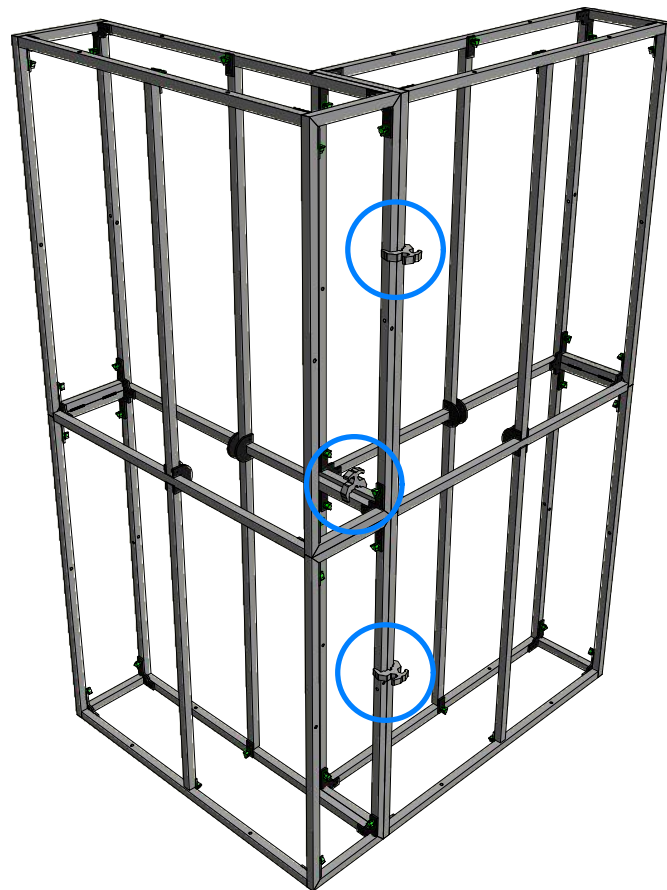
THIS PART USED TO MAKE
STOP CUSTOM STOP
CUSTOM COMPONENT

**FRAME CLAMP INSTRUCTION
MQ-CLMP**

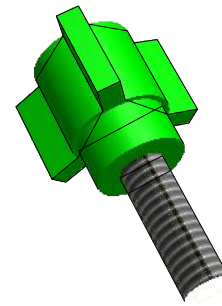
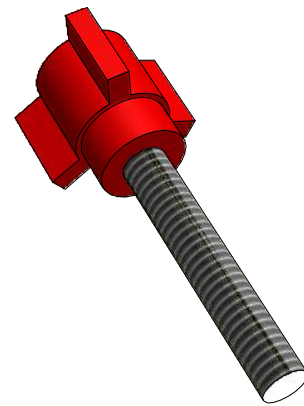
(NOT REQUIRED IN EVERY CONFIGURATION)



THE MQ-CLMP IS A FRICTION-FIT CONNECTOR / ALIGNMENT TOOL THAT DOES NOT REQUIRE TOOLS. THEY ARE TO BE USED IN ABNORMAL MULTIQUAD FRAME CONFIGURATIONS OR AS ADDITIONAL FRAME SECURITY IN SPECIAL SITUATIONS



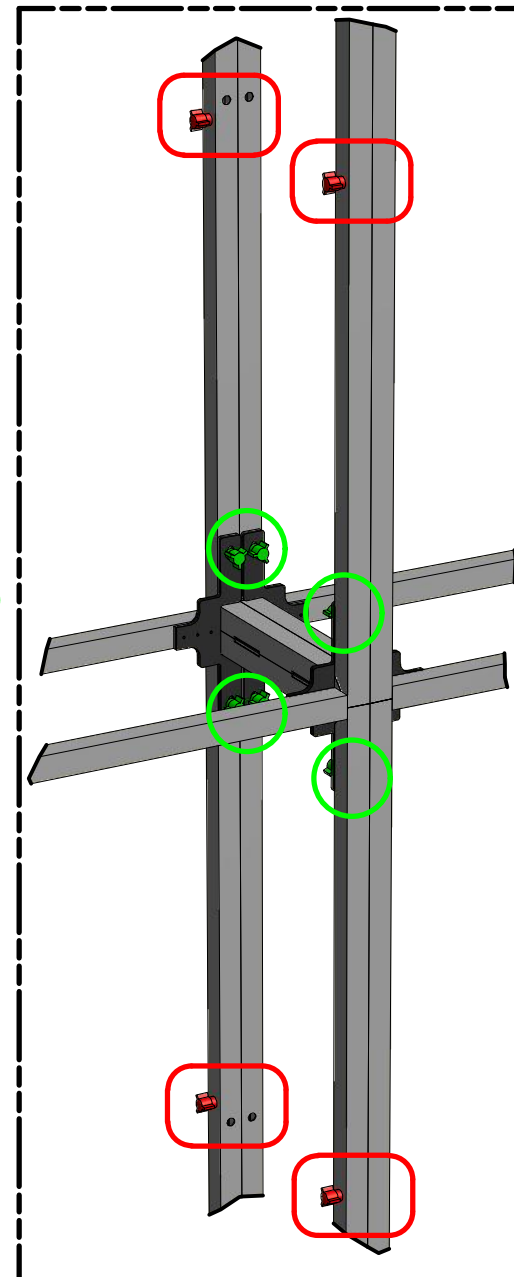
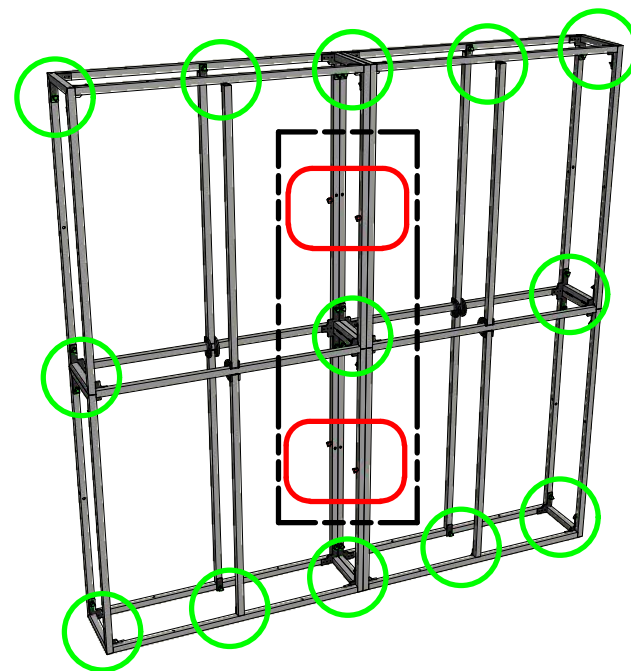
**THUMB SCREW INSTRUCTION
MQ-TSR2 / MQ-TSG1**



THE 2" RED THUMB SCREW IS USED TO CONNECT MULTIQUAD FRAMES TO OTHER MULTIQUAD FRAMES. EACH FRAME HAS RIVET NUT ON ONE SIDE AND A HOLE ON THE OTHER TO ALLOW FRAME TO FRAME CONNECTION

THE 1" GREEN THUMB SCREWS ARE USED WHEN ASSEMBLING 1x4 AND 2x4 FRAMES. SEE APPENDIX PAGES

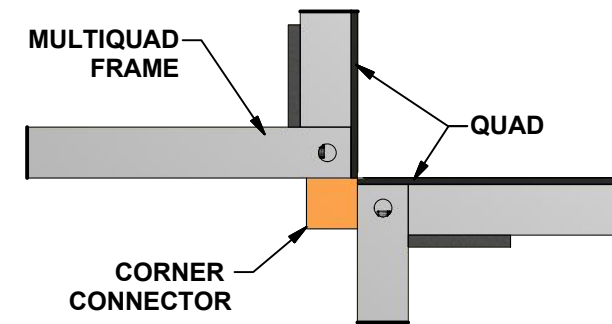
DUE TO THE RIVET NUTS, ALL FRAMES HAVE A LEFT AND RIGHT SIDE. VERIFY FRAME ORIENTATION TO ALLOW FRAME TO FRAME CONNECTION



**CORNER CONNECTOR INSTRUCTION
MQ-BTW**

(NOT REQUIRED IN EVERY CONFIGURATION)

THE MQ-BTW CORNER ALIGNMENT TOOL IS DESIGNED TO AID IN THE ALIGNMENT OF FRAMES AS NEEDED IN SOME MULTIQUAD CONFIGURATIONS.



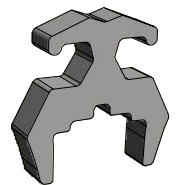
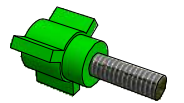
AFTER TWO MULTIQUAD FRAMES ARE SET "CORNER-TO-CORNER" THE MQ-BTW SIMPLY ATTACHES TO THE EXISTING MAGNETS ON THE FRAME



Expo Displays

3401 Mary Taylor Road
Birmingham, Alabama 35235
(205) 439-8200

Drawn By: AKHIII



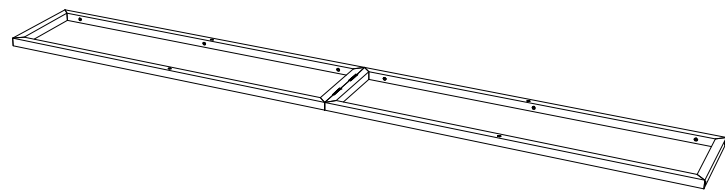
**ASSEMBLY
INSTRUCTIONS**

CONNECTORS & ALIGNMENT TOOLS

APPENDIX A

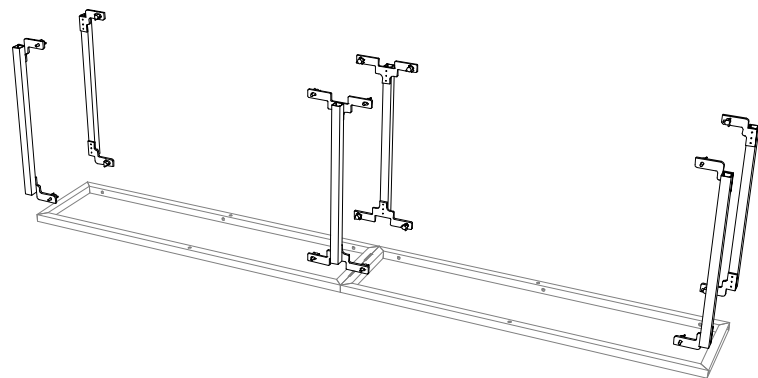
1st Step

START WITH THE LEFT VERTICAL HINGED (LVH1) ON THE GROUND



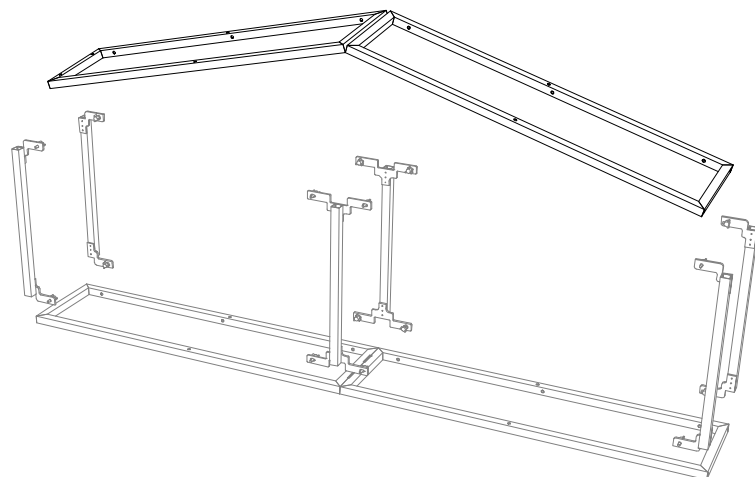
2nd Step

ATTACH THE (2) TOP HORIZONTAL (TH2), THE (2) MIDDLE HORIZONTAL (MH2), AND THE (2) BOTTOM HORIZONTAL (BH2)



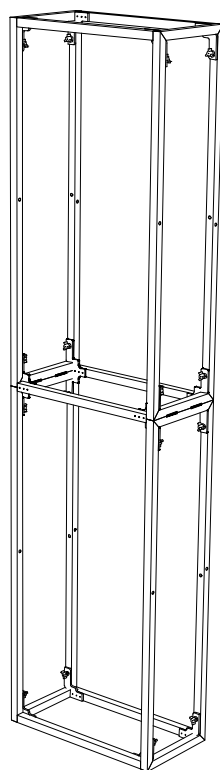
3rd Step

ATTACH THE RIGHT HINGED SIDE (RVH1)



4th Step

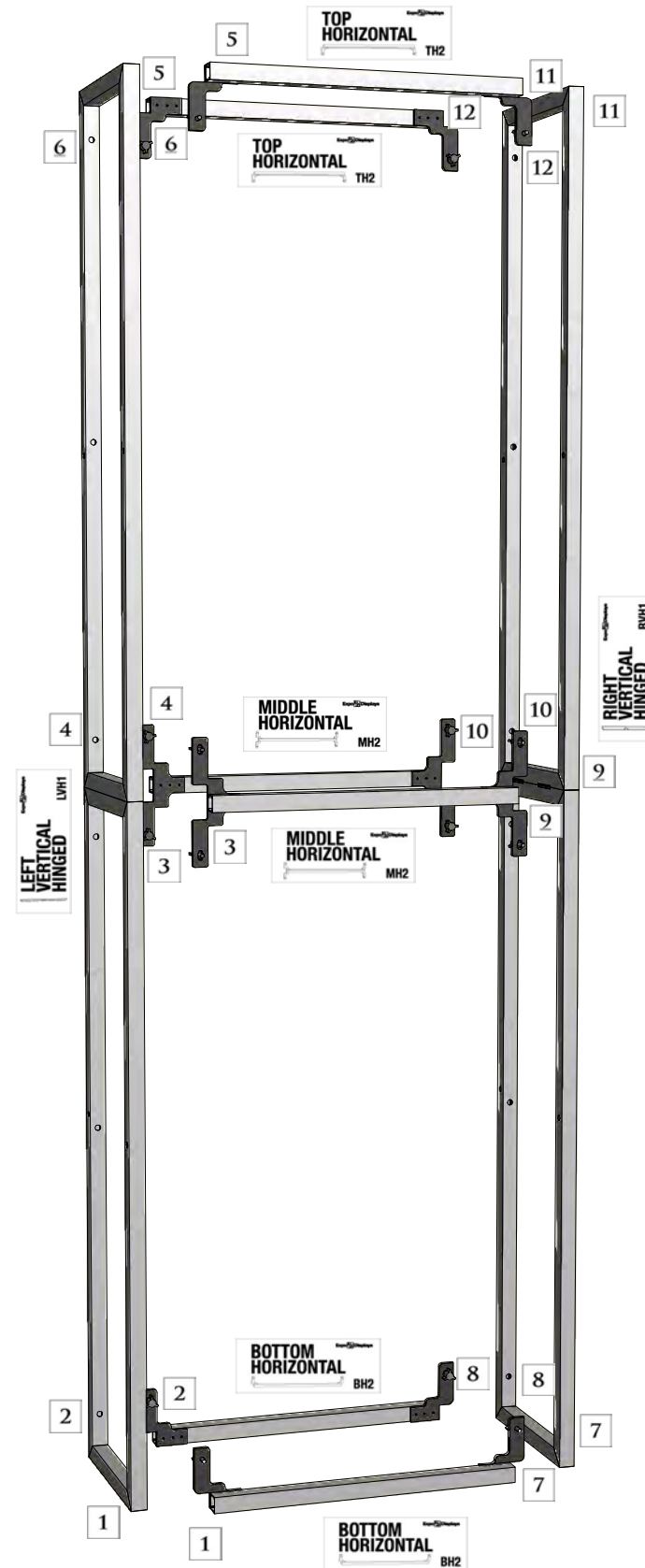
STAND UP-RIGHT



MATCH NUMBERS TO CONSTRUCT



PARTS LIST		
QNTY	LABEL	NAME
1	LVH1	LEFT VERTICAL HINGED
1	RVH1	RIGHT VERTICAL HINGED
2	BH2	BOTTOM HORIZONTAL
2	MH2	MIDDLE HORIZONTAL
2	TH2	TOP HORIZONTAL
1	GRN	1" GREEN THUMB SCREW
4	RED	2" RED THUMB SCREW



Expo Displays

3401 Mary Taylor Road
Birmingham, Alabama 35235
(205) 439-8200

Drawn By: AKHIII

THIS PART USED TO MAKE
MQ-F14
1x4 STANDARD FRAME

ASSEMBLY
INSTRUCTIONS

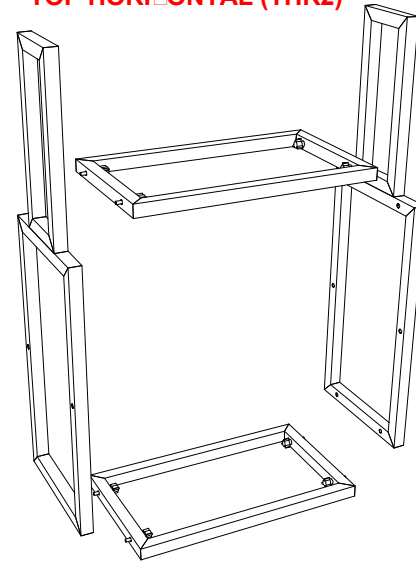
1x4 STANDARD FRAME
MQ-F14

APPENDIX D

PARTS LIST		
QNTY	LABEL	NAME
1	LVP1	LEFT VERTICAL RECTANGLE
1	RVP1	RIGHT VERTICAL RECTANGLE
1	BHR2	BOTTOM HORIZONTAL RECT.
1	THR2	TOP HORIZONTAL RECT.
1	SSPOD1	SHELF
1	CTPOD1	PODIUM COUNTER TOP
12	RED	2" RED THUMB SCREW

1st Step)

START WITH THE BOTTOM HORIZONTAL (BHR2) ON THE GROUND. ATTACH THE LEFT VERTICAL (LVP1), AND THE RIGHT VERTICAL (RVP1). THEN ATTACH THE TOP HORIZONTAL (THR2)



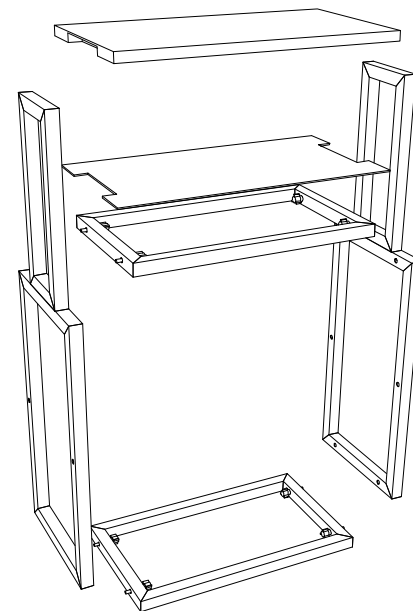
Multiple Podiums)

ATTACH MULTIPLE PODIUMS BY RUNNING THE 2" RED THUMBSCREWS THROUGH THE OPEN HOLES OF ONE PODIUM INTO THE THREADED INSERTS OF ANOTHER

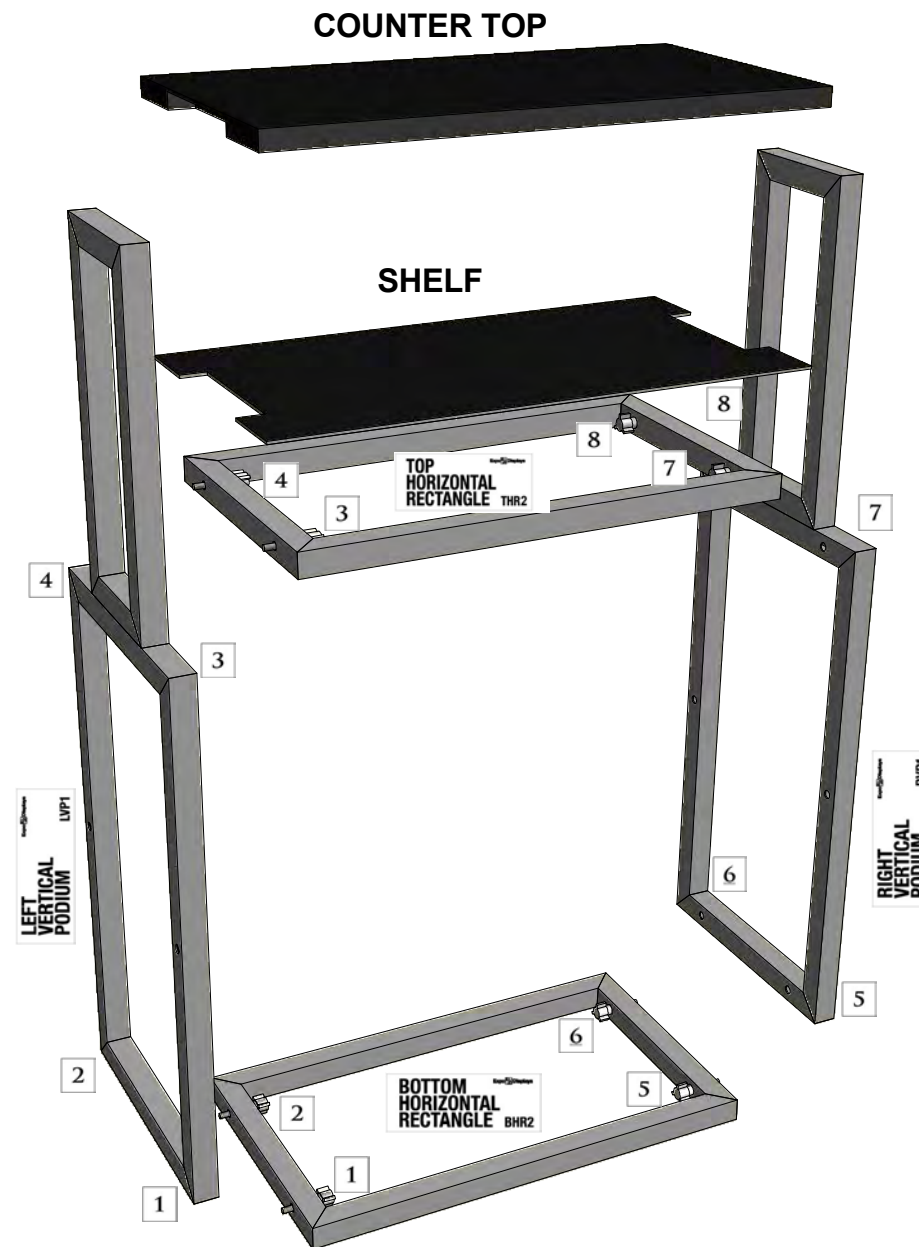


2nd Step)

ATTACH THE PODIUM COUNTERTOP AND THE PODIUM SHELF



MATCH NUMBERS TO CONSTRUCT



THIS PART USED TO MAKE
MQ-POD1
1x1 PODIUM

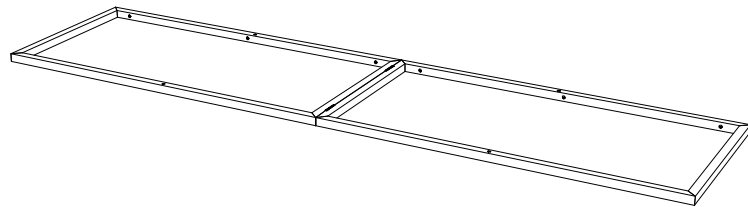
ASSEMBLY
INSTRUCTIONS

1x1 STAND
MQ-POD1

PARTS LIST		
QNTY	LABEL	NAME
1	LVHX	LEFT VERTICAL HINGED
1	RVHX	RIGHT VERTICAL HINGED
2	BH1	BOTTOM HORIZONTAL
2	MH1	MIDDLE HORIZONTAL
2	TH1	TOP HORIZONTAL
2	CVH1	CENTER VERTICAL HINGED
2	GRN	1" GREEN THUMB SCREW
4	RED	2" RED THUMB SCREW

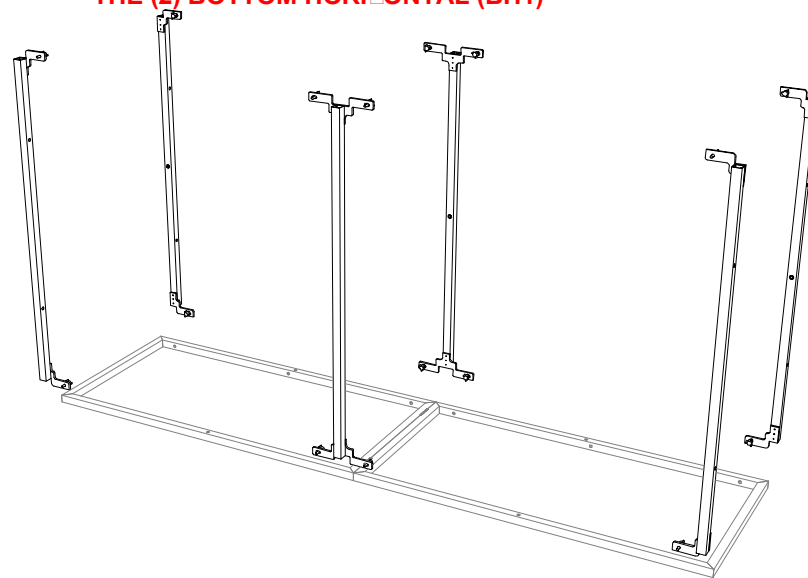
1st S ()

START WITH THE LEFT VERTICAL (LVHX) ON THE GROUND



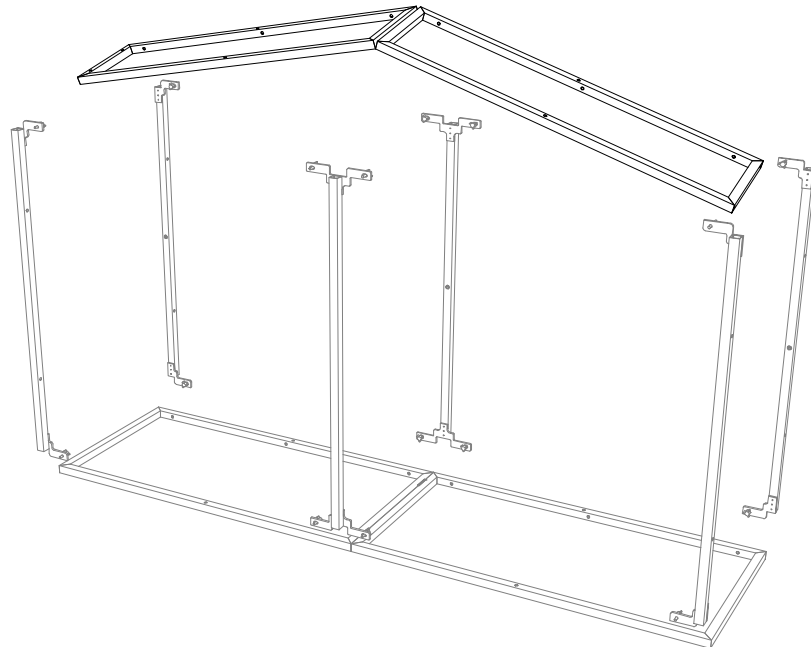
2nd S ()

ATTACH THE (2) TOP HORIZONTAL (TH1), THE (2) MIDDLE HORIZONTAL (MH1), AND THE (2) BOTTOM HORIZONTAL (BH1)



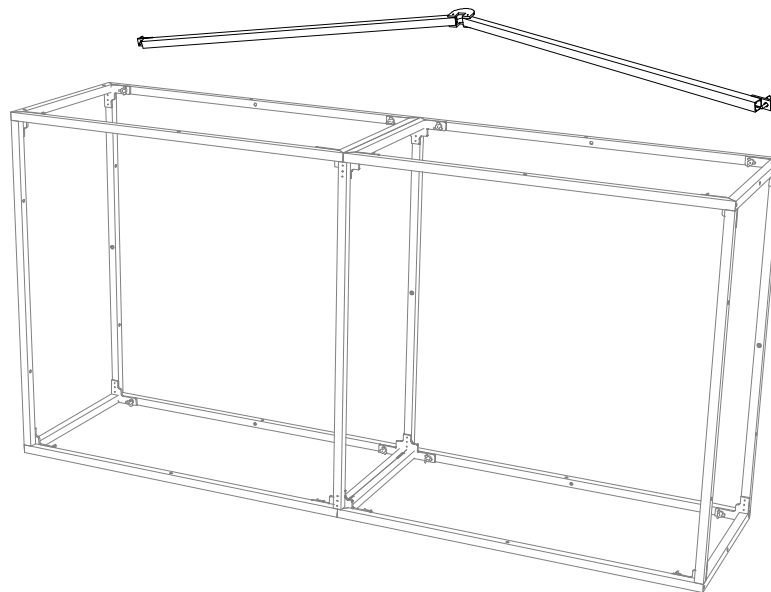
3rd S ()

ATTACH THE RIGHT HINGED SIDE (RVH1)



4th S ()

ATTACH THE (2) CENTER VERTICAL HINGED (CVH1) AND STAND UP-RIGHT



MATCH NUMBERS TO CONSTRUCT

EXPO MultiQuad
An ExpoDisplays Product



ExpoDisplays

3401 Mary Taylor Road
Birmingham, Alabama 35235
(205) 439-8200

Drawn By: AKHIII

THIS PART USED TO MAKE
MOX-F24
2x4 MAX FRAME

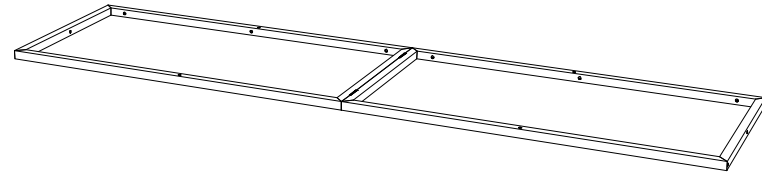
ASSEMBLY
INSTRUCTIONS

2x4 MAX FRAME
MOX-F24

APPENDIX

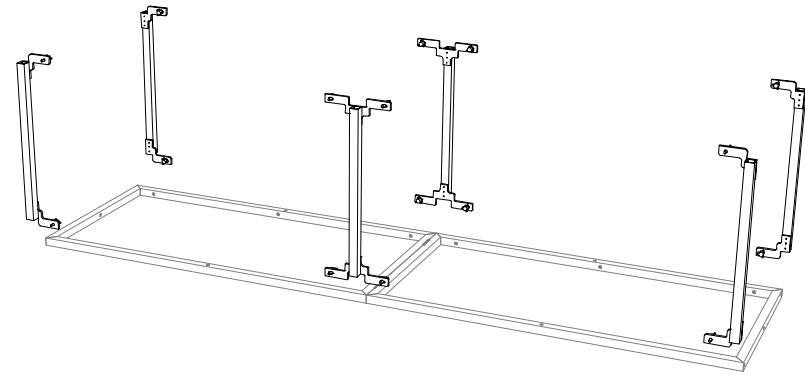
1st Step

START WITH THE LEFT VERTICAL HINGED (LVHX) ON THE GROUND



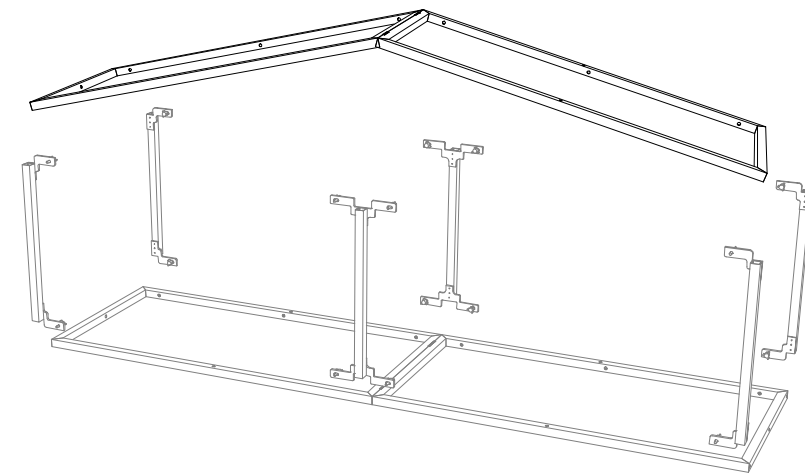
2nd Step

ATTACH THE (2) TOP HORIZONTAL (TH2), THE (2) MIDDLE HORIZONTAL (MH2), AND THE (2) BOTTOM HORIZONTAL (BH2)



3rd Step

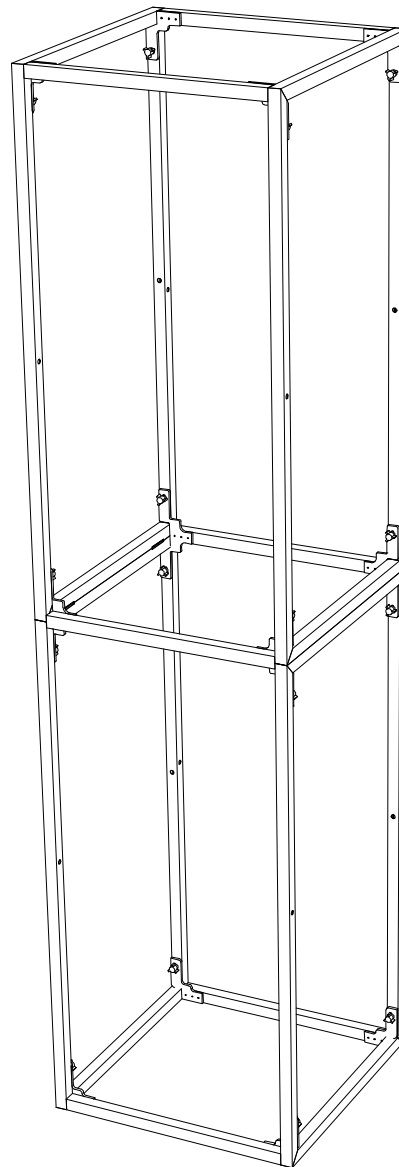
ATTACH THE RIGHT HINGED SIDE (RVHX)



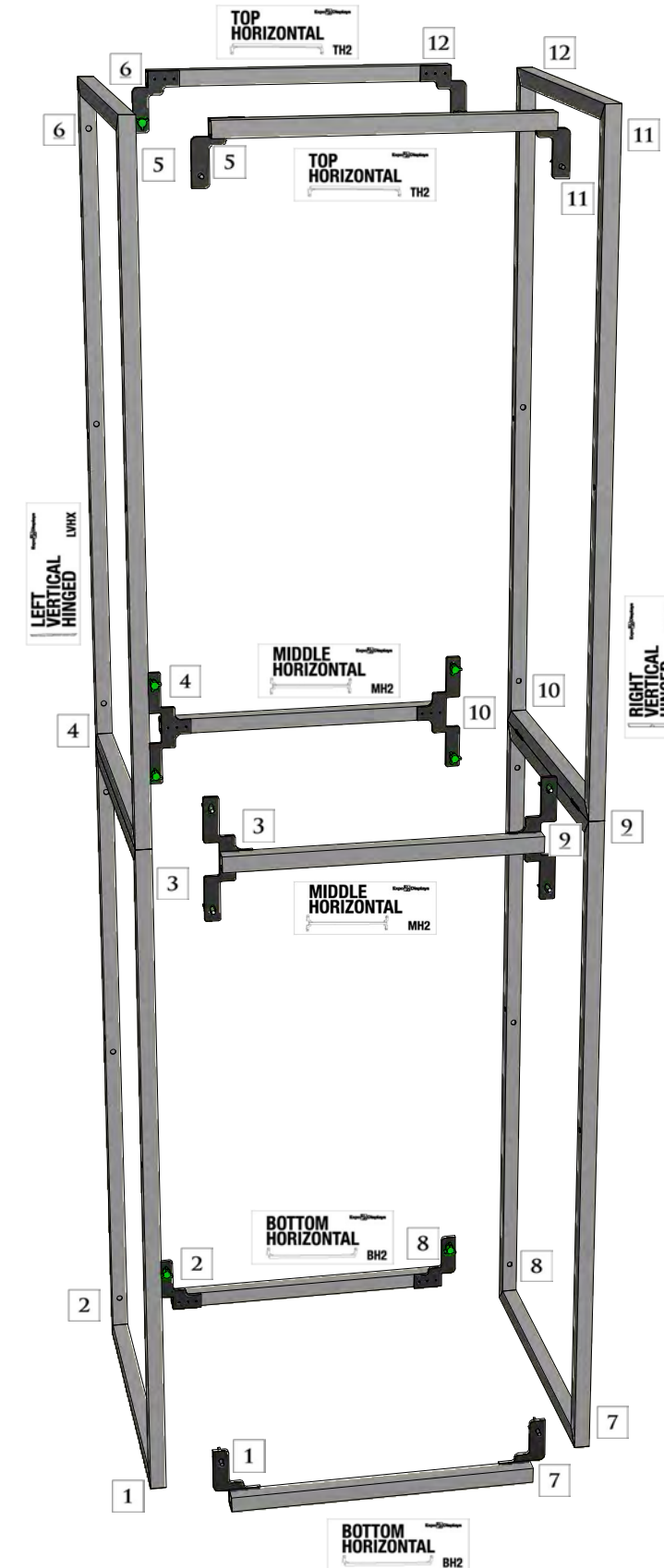
PARTS LIST		
QNTY	LABEL	NAME
1	LVHX	LEFT VERTICAL HINGED
1	RVHX	RIGHT VERTICAL HINGED
2	BH2	BOTTOM HORIZONTAL
2	MH2	MIDDLE HORIZONTAL
2	TH2	TOP HORIZONTAL
1	GRN	1" GREEN THUMB SCREW
4	RED	2" RED THUMB SCREW

4th Step

STAND UP-RIGHT



MATCH NUMBERS TO CONSTRUCT



Expo Displays

3401 Mary Taylor Road
Birmingham, Alabama 35235
(205) 439-8200

Drawn By: AKHIII

THIS PART USED TO MAKE
MOX-F14
1x4 MAX FRAME

ASSEMBLY INSTRUCTIONS

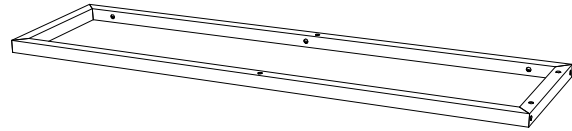
1x4 MAX FRAME
MOX-F14

APPENDIX N

PARTS LIST		
QNTY	LABEL	NAME
1	LVR1	LEFT VERTICAL RECTANGLE
1	RVR1	RIGHT VERTICAL RECTANGLE
1	BHR2	BOTTOM HORIZONTAL RECT.
1	THR2	TOP HORIZONTAL RECT.
□	RED	2" RED THUMB SCREW

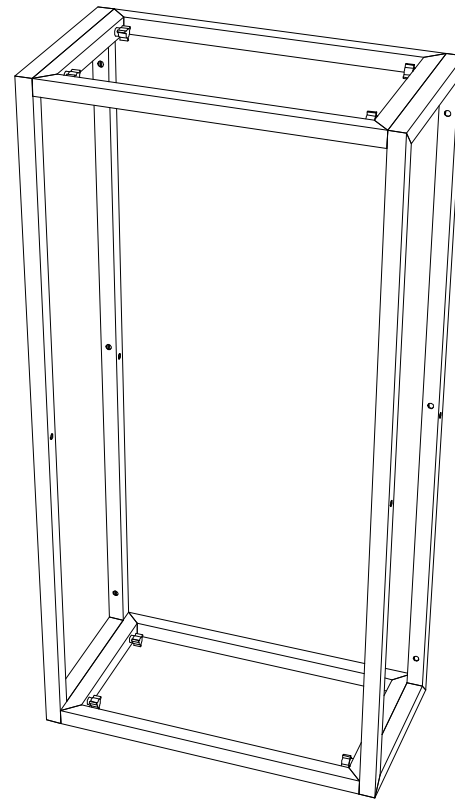
1st Step)

START WITH THE LEFT VERTICAL RECTANGLE (LVR1) ON THE GROUND



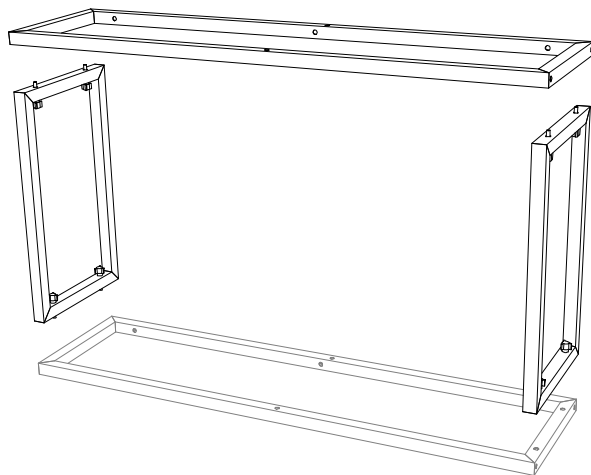
2nd Step)

STAND UP RIGHT

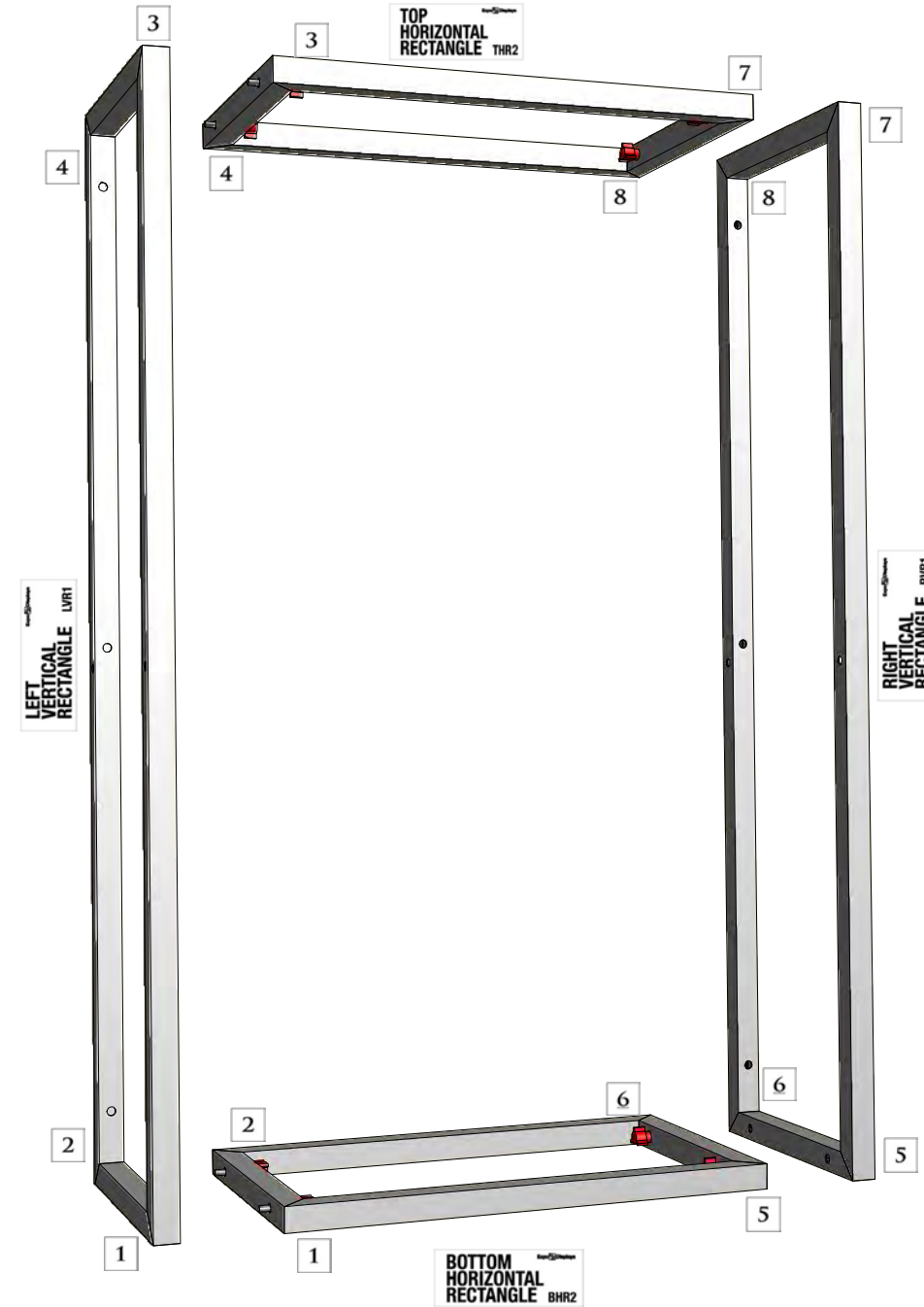


3rd Step)

ATTACH THE TOP & BOTTOM HORIZONTAL (THR2, BHR2), THEN ATTACH THE RIGHT VERTICAL RECTANGLE



MATCH NUMBERS TO CONSTRUCT



Expo Displays

3401 Mary Taylor Road
Birmingham, Alabama 35235
(205) 439-8200

Drawn By: AKHIII

THIS PART USED TO MAKE
MQ-F12
1x2 STANDARD FRAME

ASSEMBLY
INSTRUCTIONS

1x2 STANDARD FRAME
MQ-F12

APPENDIX T