

WHEN ASSEMBLING **EXPO MultiQuad**[®]

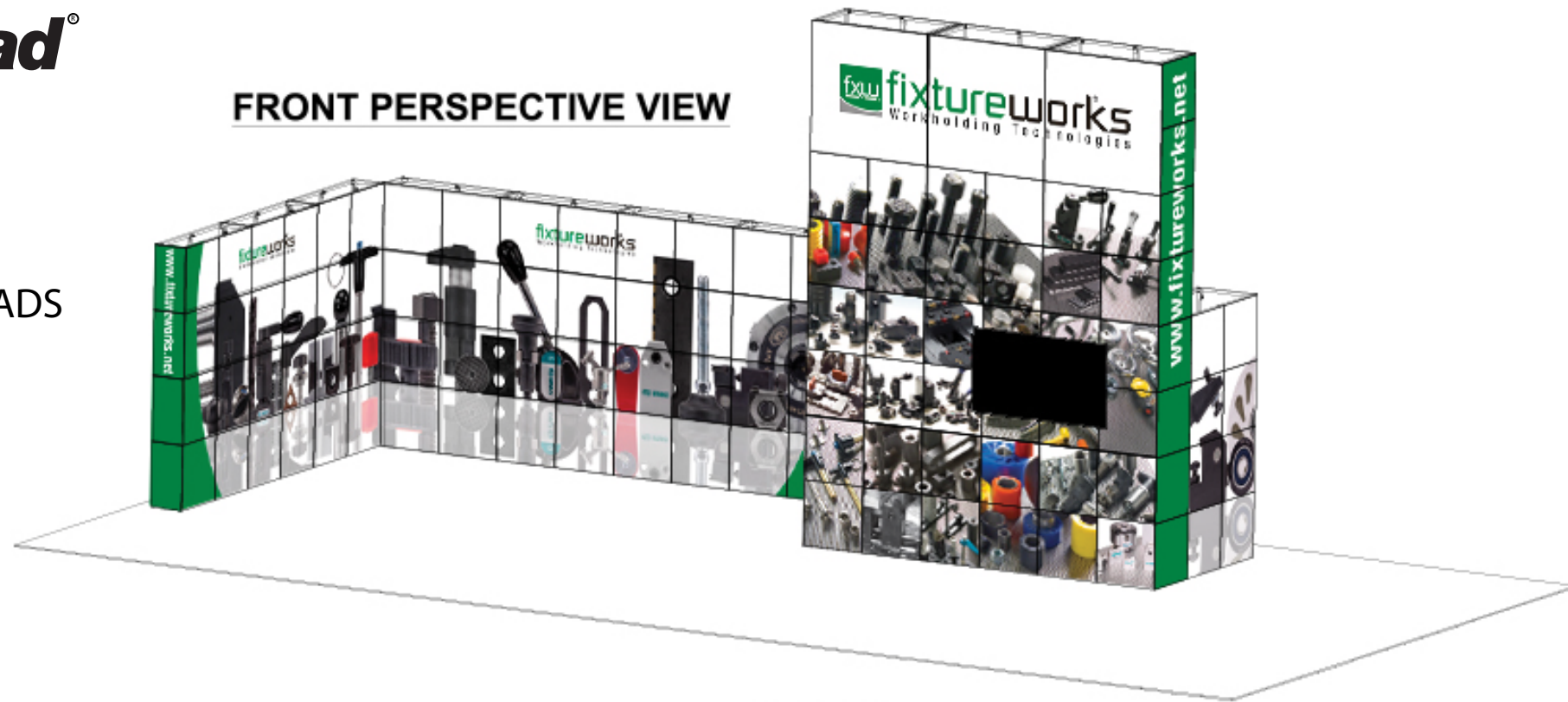
REMEMBER YOUR **ABC'S**...

ASSEMBLE EACH COMPONENT SEPARATELY

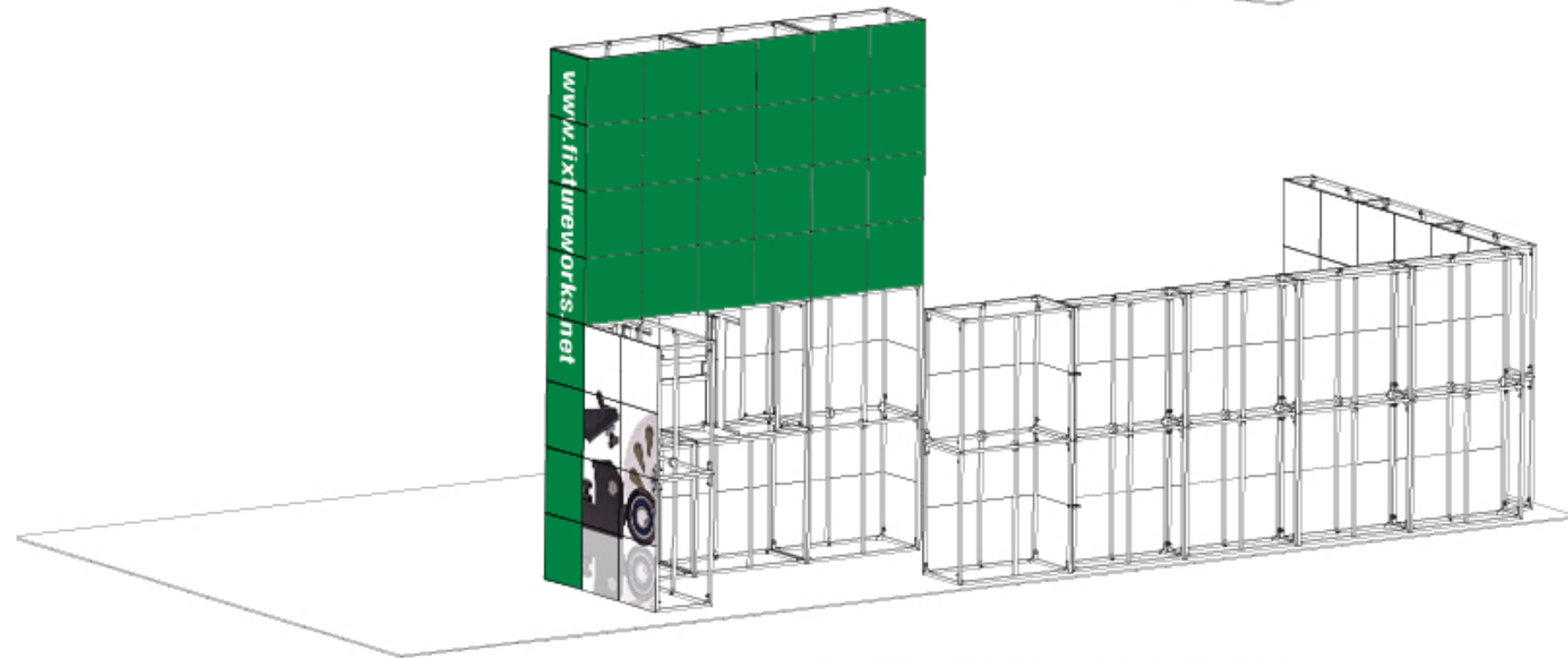
BUILD THE DESIRED LAYOUT

COVER YOUR MULTIQUAD LAYOUT WITH QUADS

FRONT PERSPECTIVE VIEW



REAR PERSPECTIVE VIEW



EXPO MultiQuad[®]
An **ExpoDisplays** Product

Graphicolor
20'x40' Custom MultiQuad[®]

EXPO

Expo EXPO Displays[®]
A Division of Diamond Displays International

3401 Mary Taylor Road
Birmingham, Alabama 35235
(205) 439-8200

Job #: 68828

Project Title

20x40 MULTIQUAD[®]

Sheet Title

ASSEMBLY
INSTRUCTIONS
COVER SHEET



Project Title

20x40 MULTIQAD®

Sheet Title

ASSEMBLY INSTRUCTIONS
ELECTRICAL PLAN

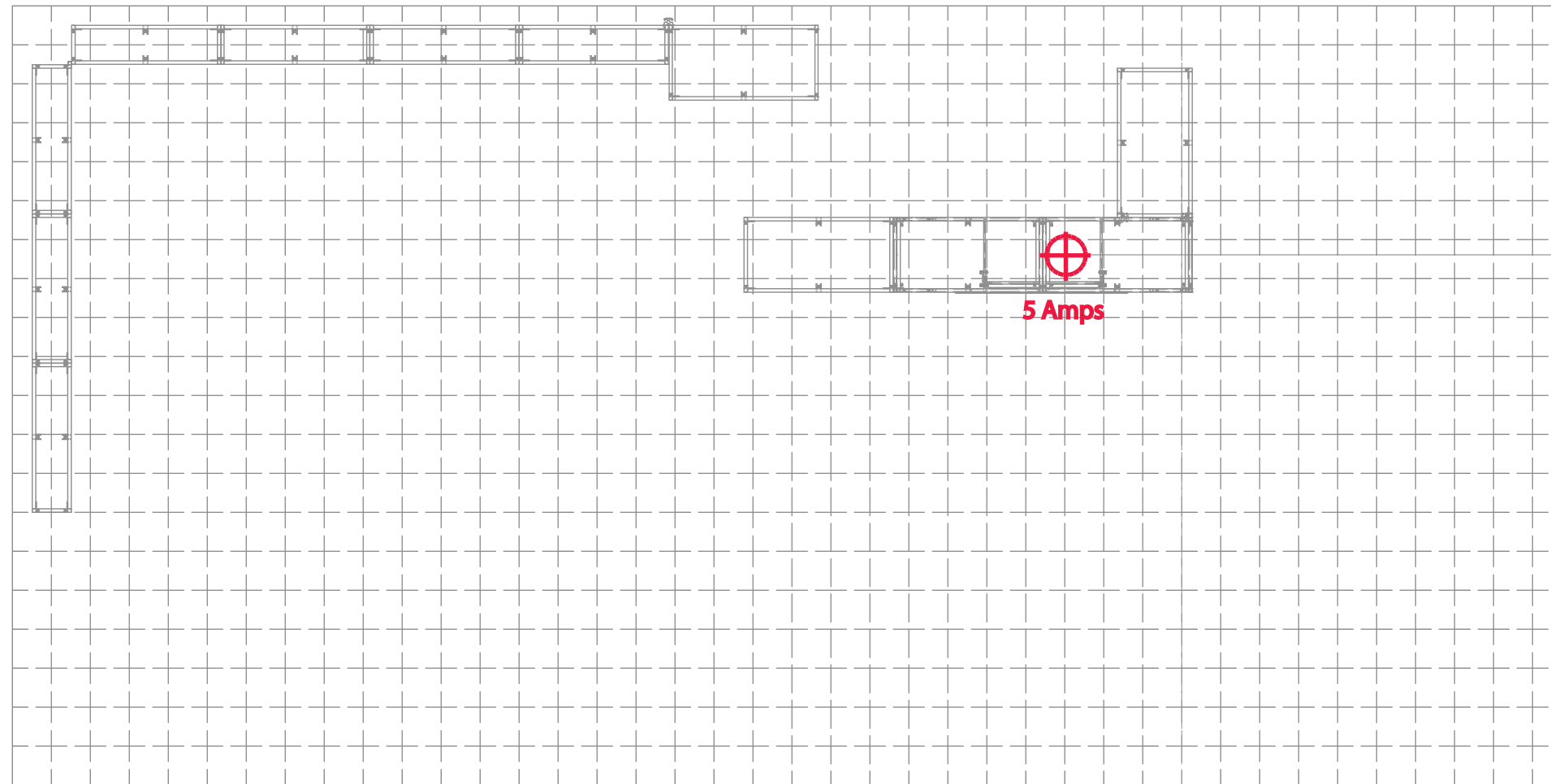
BOOTH # _____ ↗

155 15/16"

76 5/8"

BOOTH # ↗

BOOTH # ↘



5 Amps

BOOTH # _____ ↘

FRONT OF DISPLAY

1 Square = 1'- 0"

SHOW: _____

BOOTH: _____



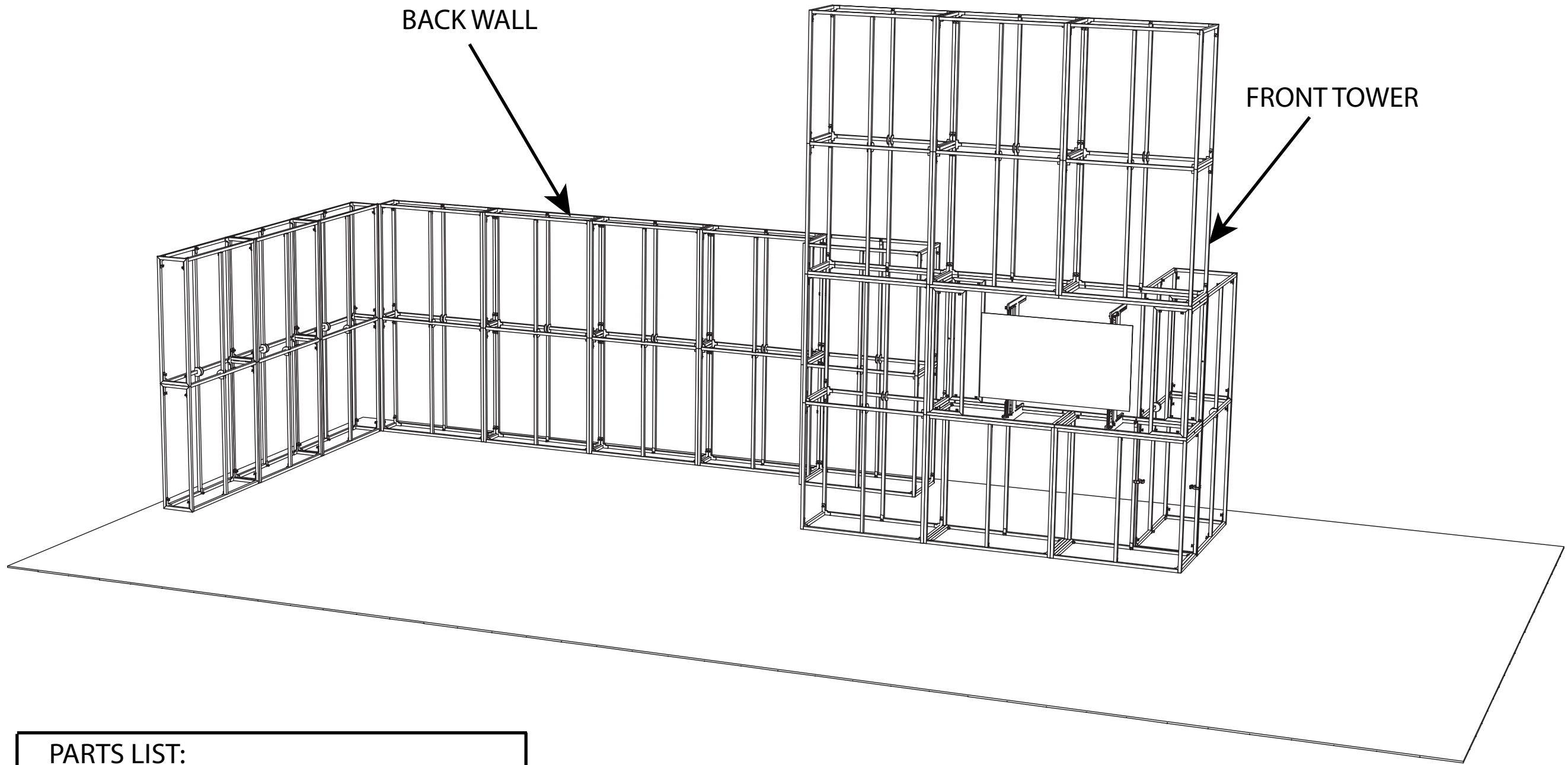
MAIN ELECTRICAL DROP



ELECTRICAL OUTLET



POWER CORDS RUN UNDER CARPET



PARTS LIST:		
#	LABEL	NAME
2	<small>THIS PART USED TO MAKE</small> MQX-F22 <small>2x2 MAX FRAME</small>	2x2 MAX FRAME
7	<small>THIS PART USED TO MAKE</small> MQ-F24 <small>2x4 STANDARD FRAME</small>	2x4 STANDARD FRAME
6	<small>THIS PART USED TO MAKE</small> MQX-F24 <small>2x4 MAX FRAME</small>	2x4 MAX FRAME
1	<small>THIS PART USED TO MAKE</small> MQX-F42 <small>4x2 MAX FRAME</small>	4x2 MAX FRAME

* ASSEMBLE LISTED FRAMES
USING APPENDIX PAGES

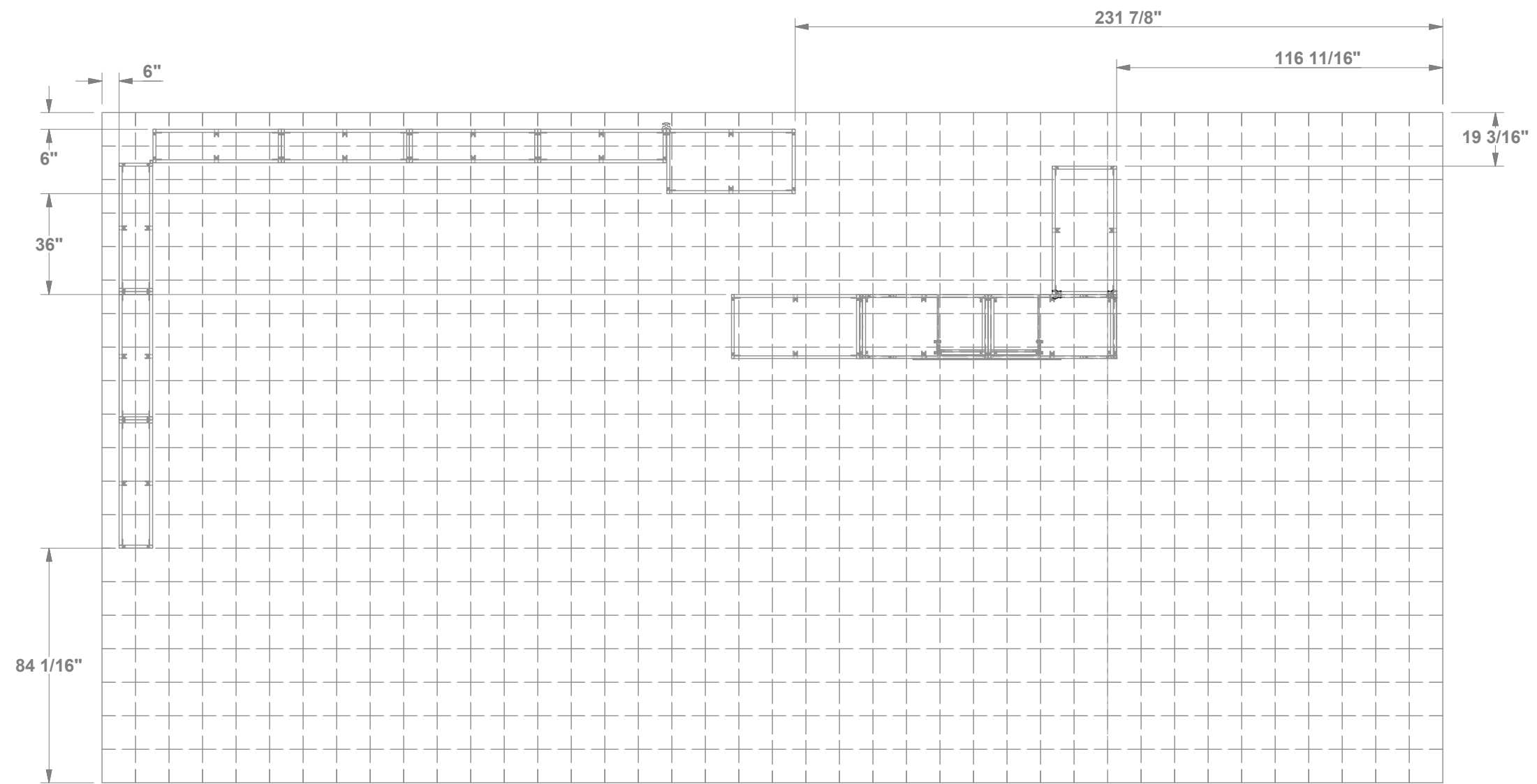


Project Title

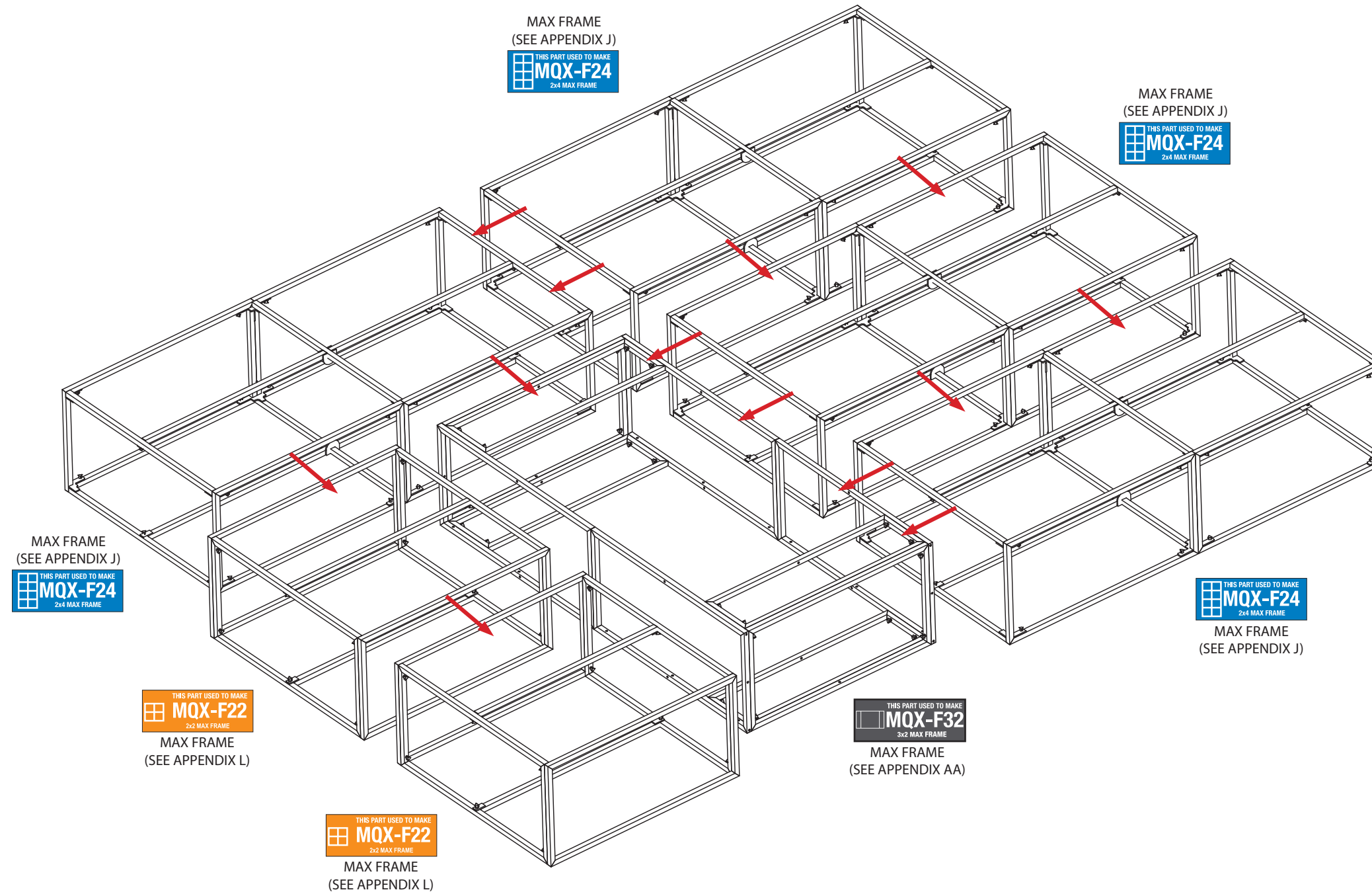
20x40 MULTIQUAD®

Sheet Title

**ASSEMBLY
INSTRUCTIONS
LOCATION PLAN**



PLAN VIEW

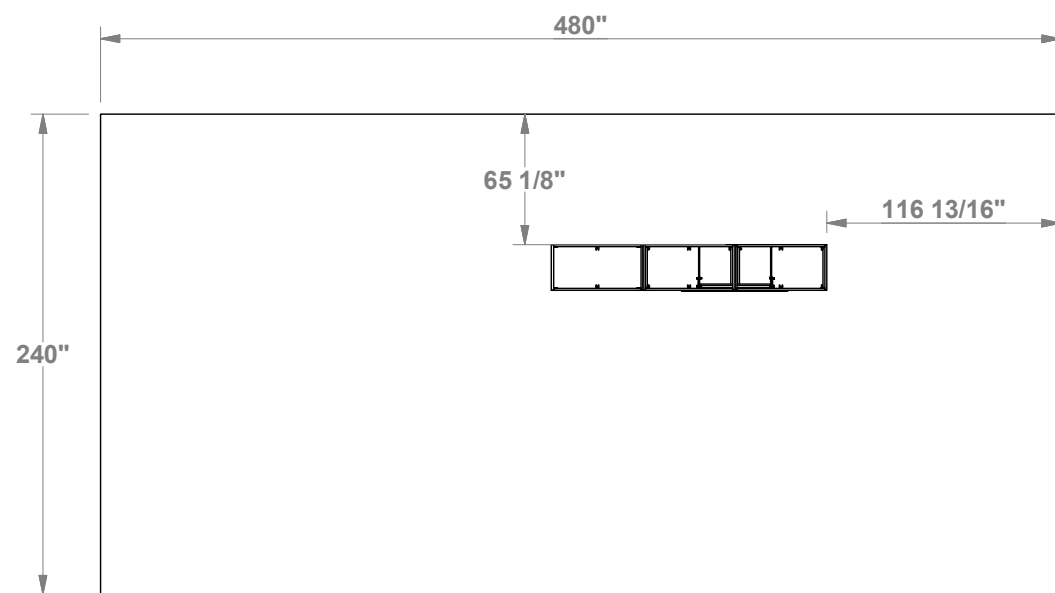
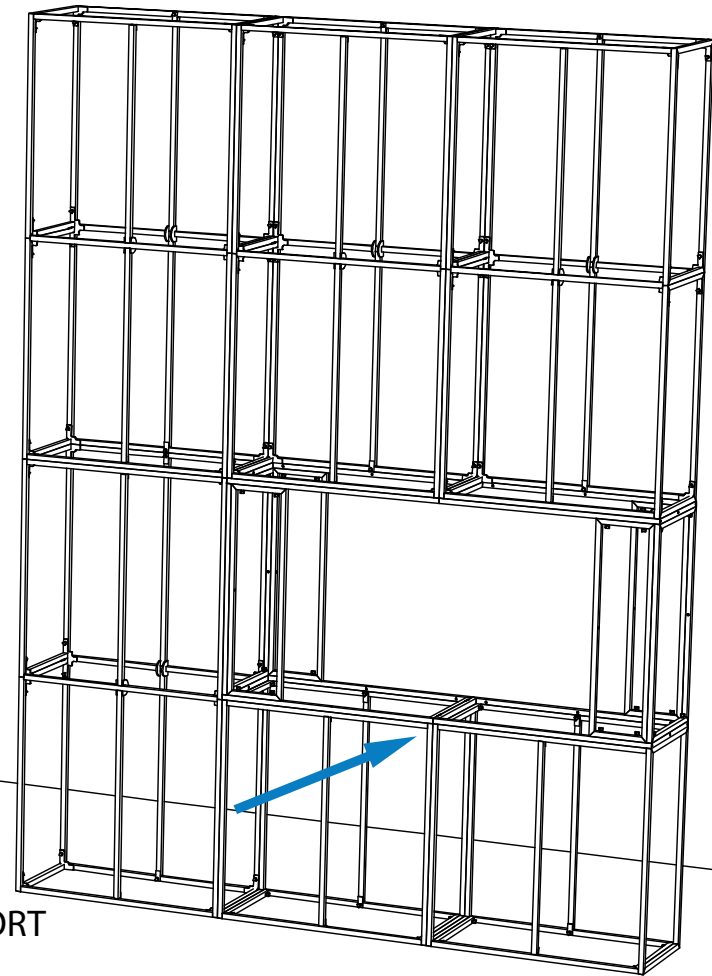
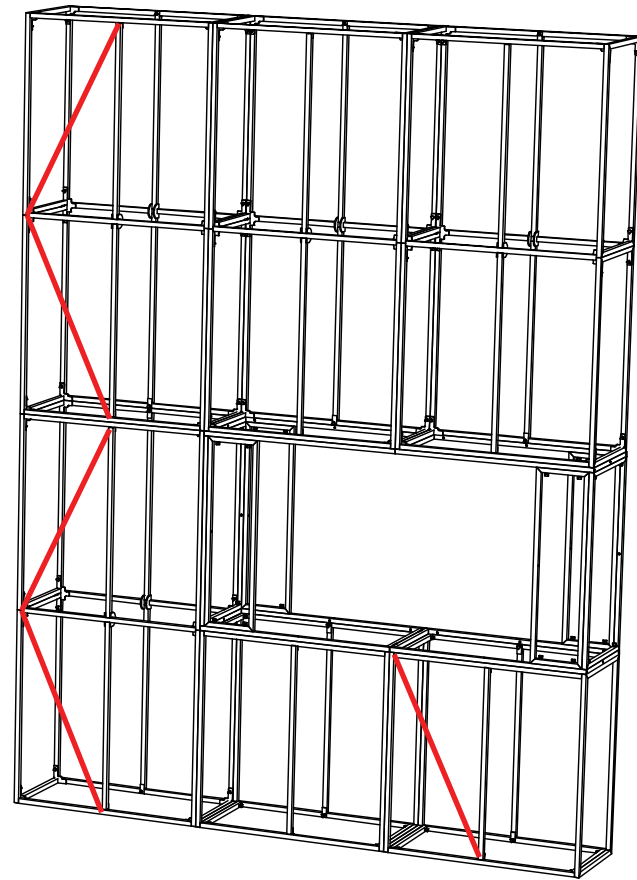


*** JOIN FRAMES LISTED LAID FLAT ON GROUND
WITH RED THUMBSCREWS WHERE THREADS ARE PRESENT**

* STAND TOWER UPRIGHT AND PLACE AS SHOWN

* PLACE DIAGONALS FOR ADDED SUPPORT

* PRESSURE CLAMP CAN BE PLACED HERE FOR ADDED SUPPORT



Expo EX PO Displays
A Division of Diamond Displays International

3401 Mary Taylor Road
Birmingham, Alabama 35235
(205) 439-8200

Job #: 68828

Project Title

20x40 MULTIQUAD®

Sheet Title

**ASSEMBLY
INSTRUCTIONS
FRONT TOWER**

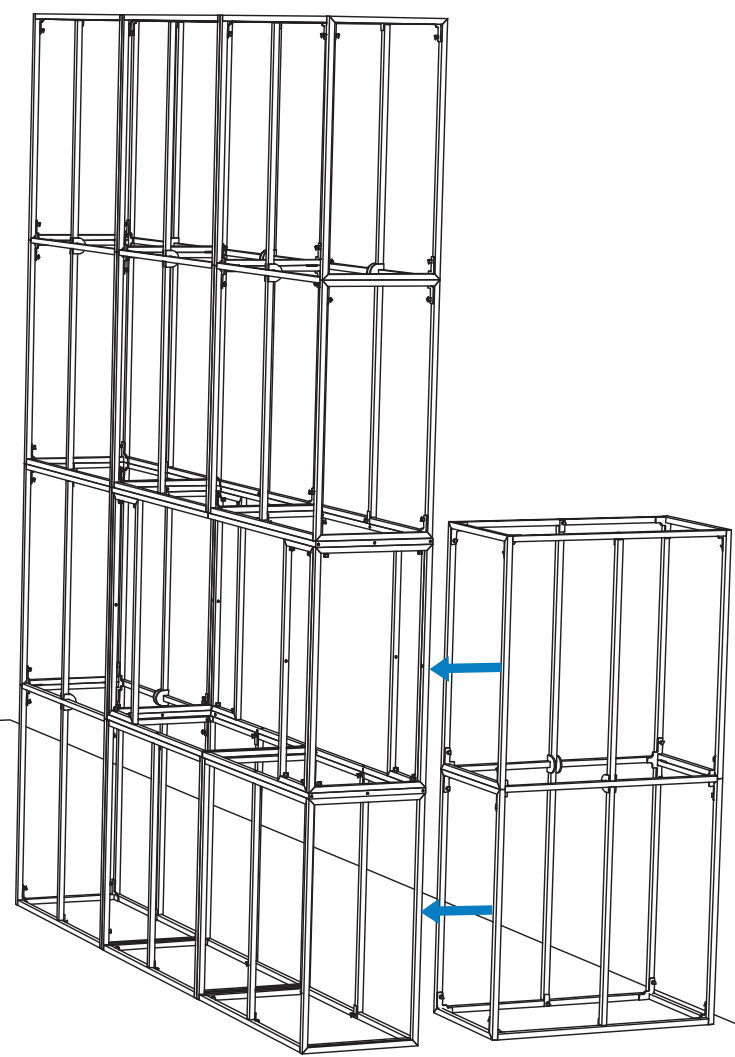


Project Title

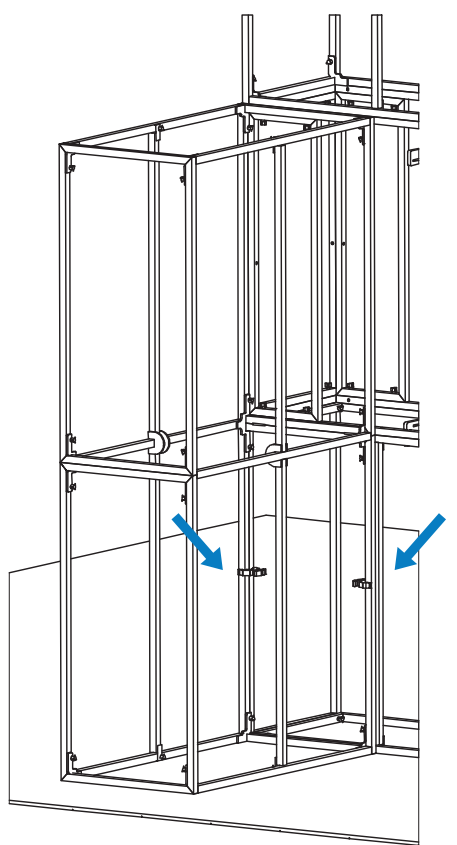
20x40 MULTIQUAD®

Sheet Title

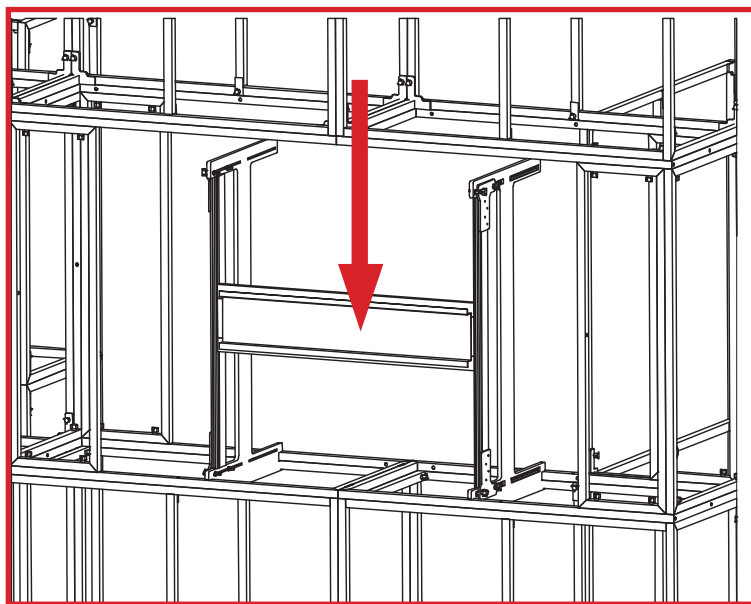
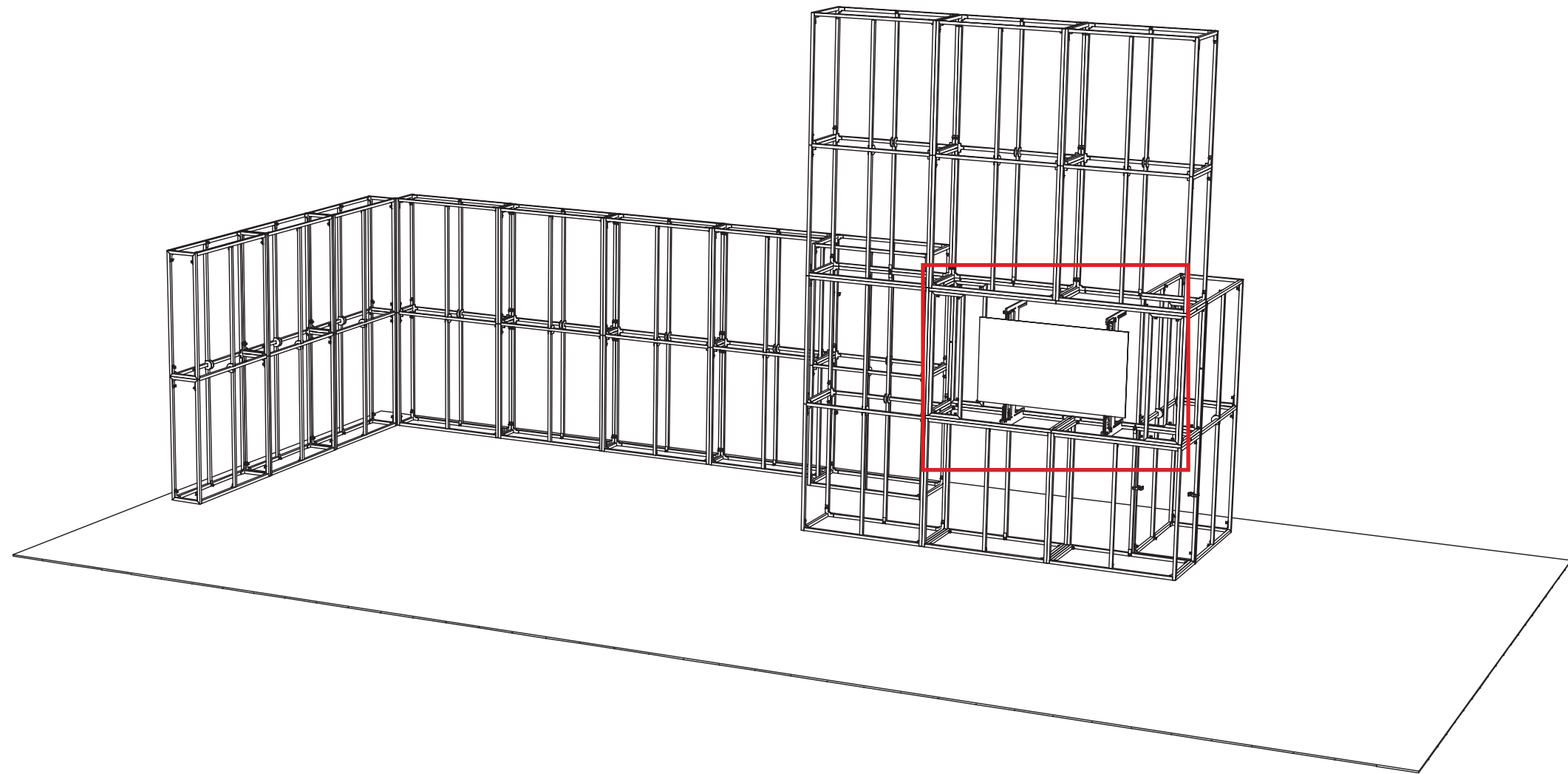
**ASSEMBLY
INSTRUCTIONS
FRONT TOWER**



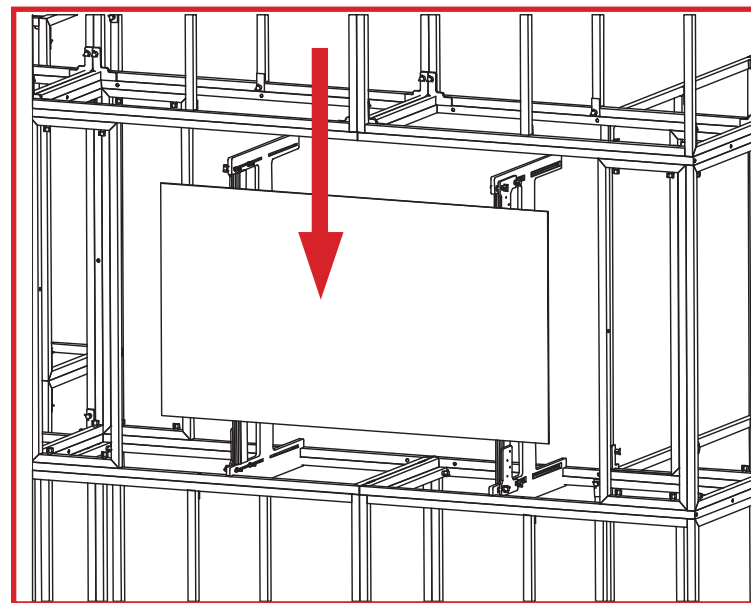
MAX FRAME
(SEE APPENDIX J)
THIS PART USED TO MAKE
MQX-F24
2x4 MAX FRAME



* JOIN LISTED FRAME TO FRONT TOWER
WITH PRESSURE CLAMPS AS SHOWN
(SEE APPENDIX A FOR DETAILS)

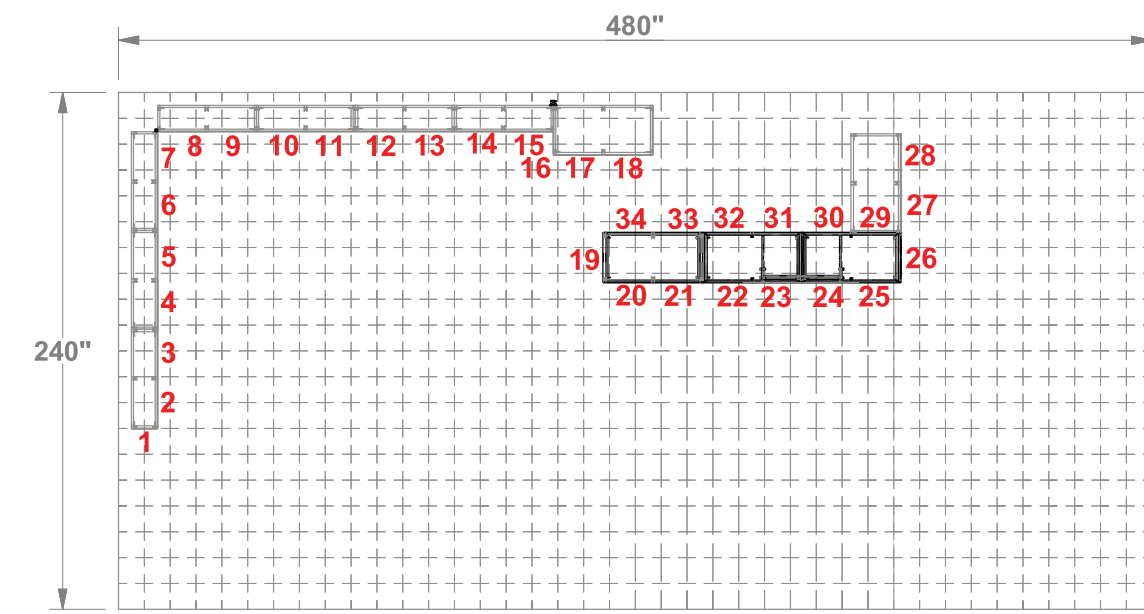
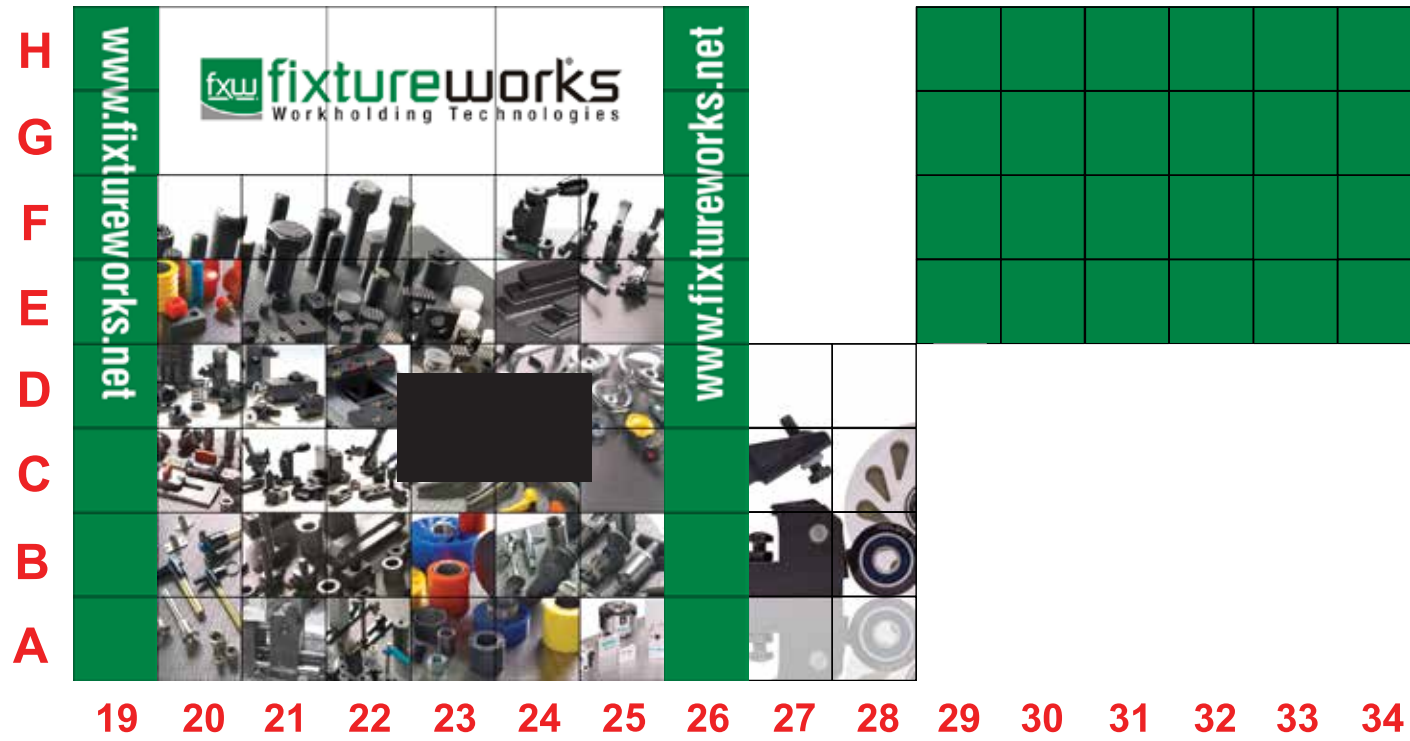
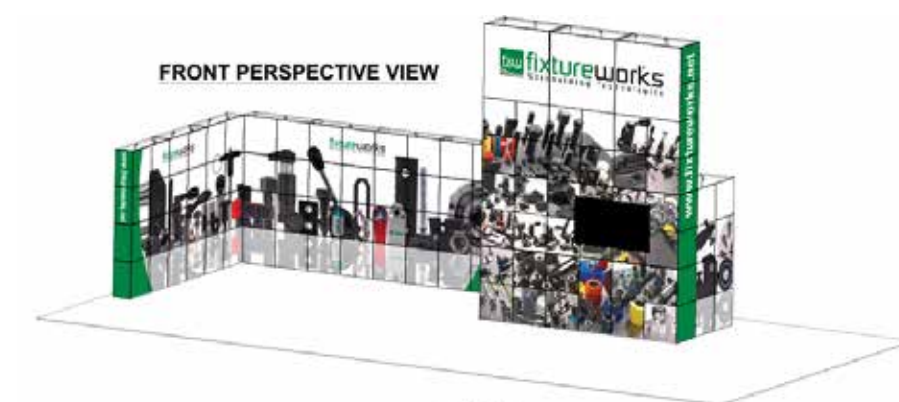
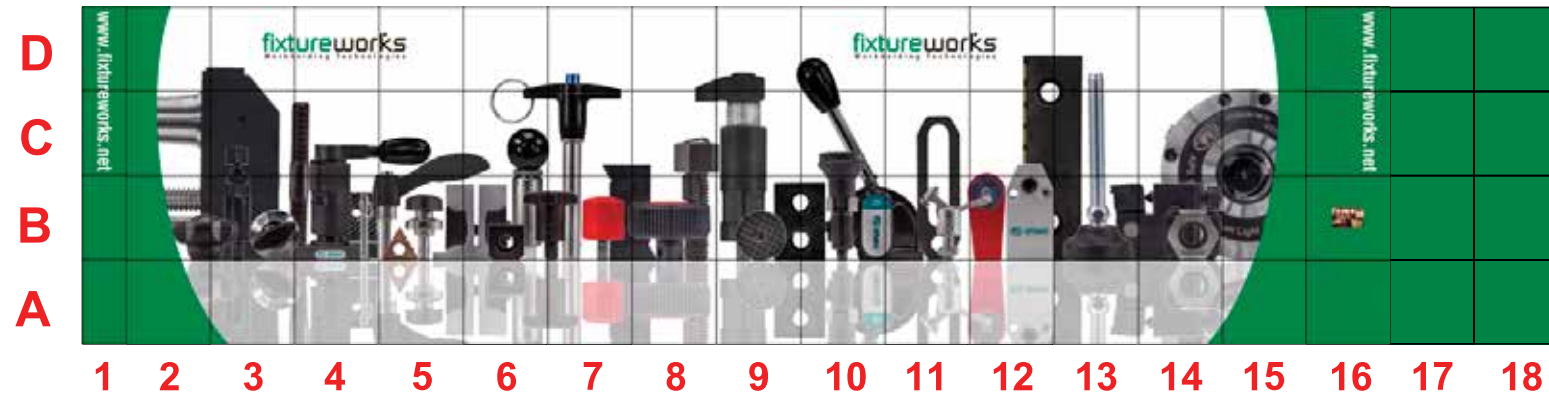


* INSTALL MOUNT IN 4 X 2 FRAME
(SEE APPENDIX J-7)



* PLACE TV ON MOUNT

* CONNECT POWER SUPPLY AND
HIDE WIRES IN FRAME STRUCTURE



PARTS LIST:		
#	SIZE	NAME
138	23x23	STANDARD QUAD
3	46x46	JUMBO QUAD
4	23x46	HINGED L-SHAPED QUADS
4	12.125X23	HALF QUADS



Expo EXPO Displays®
A Division of Diamond Displays International

3401 Mary Taylor Road
Birmingham, Alabama 35235
(205) 439-8200

Project Title

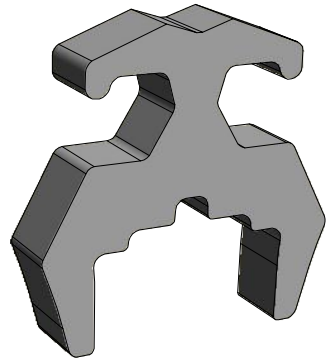
20x40 MULTIQUAD®

Sheet Title

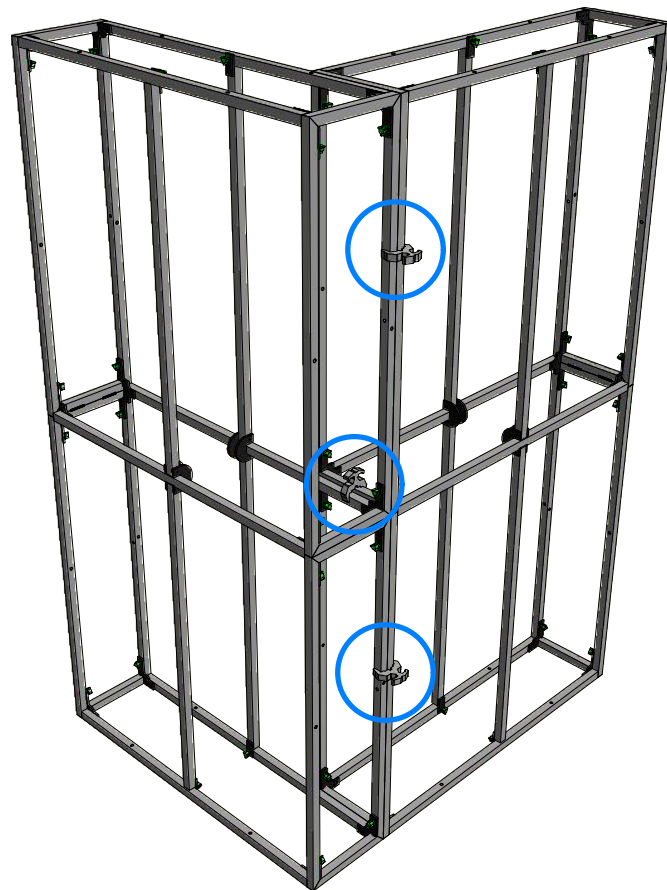
ASSEMBLY INSTRUCTIONS
GRAPHIC LAYOUT

**FRAME CLAMP INSTRUCTION
MQ-CLMP**

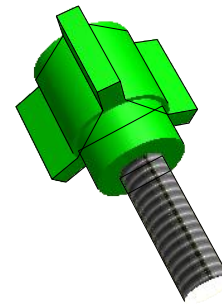
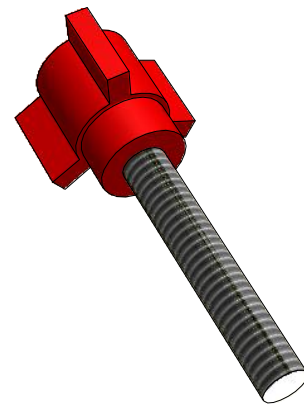
(NOT REQUIRED IN EVERY CONFIGURATION)



THE MQ-CLMP IS A FRICTION-FIT CONNECTOR / ALIGNMENT TOOL THAT DOES NOT REQUIRE TOOLS. THEY ARE TO BE USED IN ABNORMAL MULTIQUAD FRAME CONFIGURATIONS OR AS ADDITIONAL FRAME SECURITY IN SPECIAL SITUATIONS



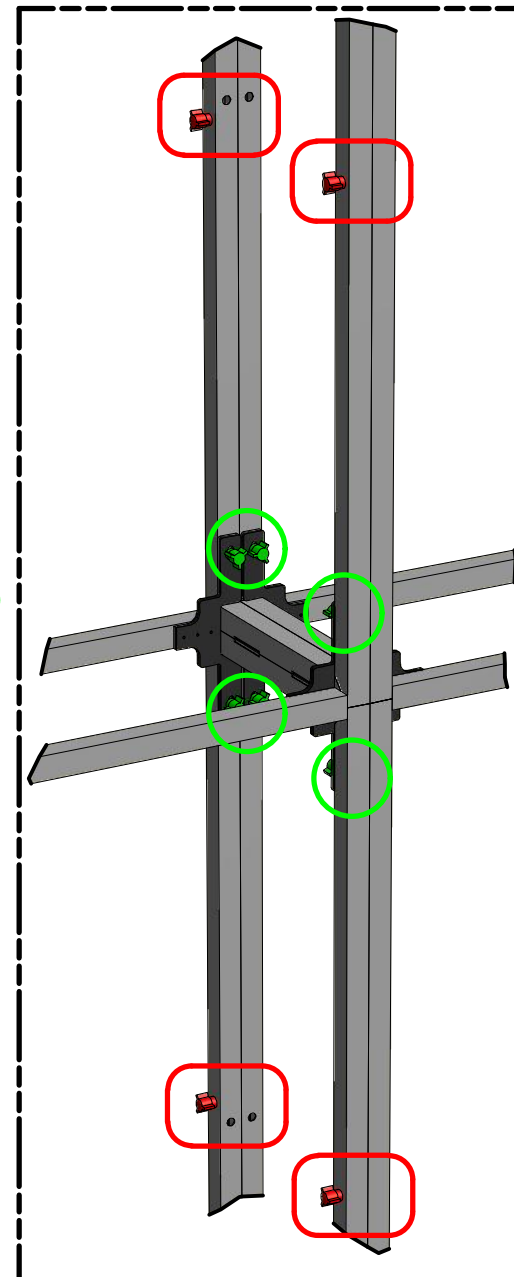
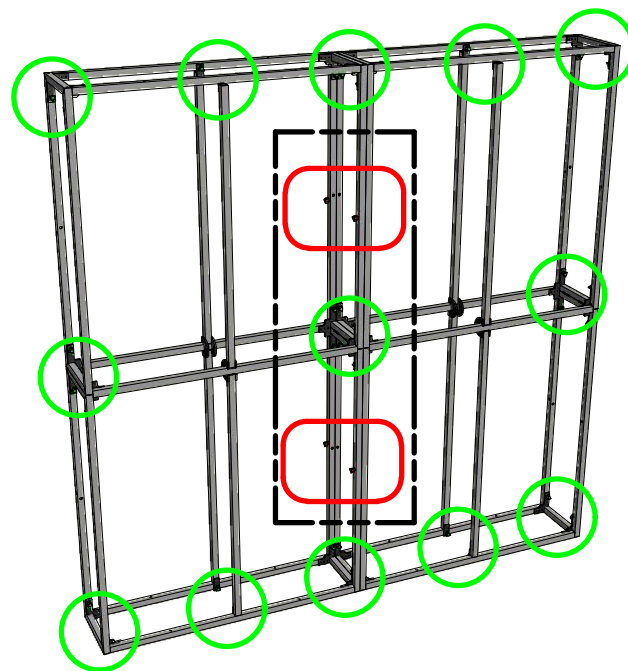
**THUMB SCREW INSTRUCTION
MQ-TSR2 / MQ-TSG1**



THE 2" RED THUMB SCREW IS USED TO CONNECT MULTIQUAD FRAMES TO OTHER MULTIQUAD FRAMES. EACH FRAME HAS RIVET NUT ON ONE SIDE AND A HOLE ON THE OTHER TO ALLOW FRAME TO FRAME CONNECTION

THE 1" GREEN THUMB SCREWS ARE USED WHEN ASSEMBLING 1x4 AND 2x4 FRAMES. SEE APPENDIX PAGES

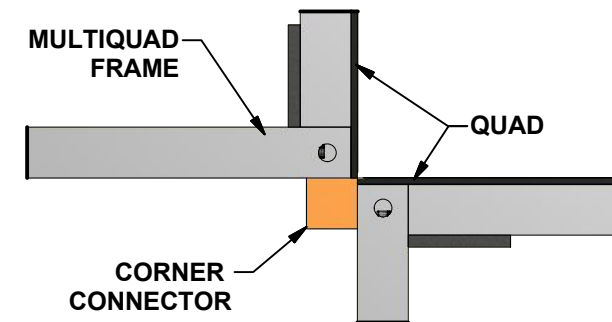
DUE TO THE RIVET NUTS, ALL FRAMES HAVE A LEFT AND RIGHT SIDE. VERIFY FRAME ORIENTATION TO ALLOW FRAME TO FRAME CONNECTION



**CORNER CONNECTOR INSTRUCTION
MQ-BTW**

(NOT REQUIRED IN EVERY CONFIGURATION)

THE MQ-BTW CORNER ALIGNMENT TOOL IS DESIGNED TO AID IN THE ALIGNMENT OF FRAMES AS NEEDED IN SOME MULTIQUAD CONFIGURATIONS.



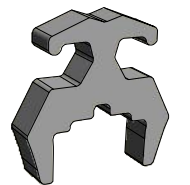
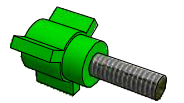
AFTER TWO MULTIQUAD FRAMES ARE SET "CORNER-TO-CORNER" THE MQ-BTW SIMPLY ATTACHES TO THE EXISTING MAGNETS ON THE FRAME



Expo Displays

3401 Mary Taylor Road
Birmingham, Alabama 35235
(205) 439-8200

Drawn By: AKHIII



**ASSEMBLY
INSTRUCTIONS**

CONNECTORS & ALIGNMENT TOOLS

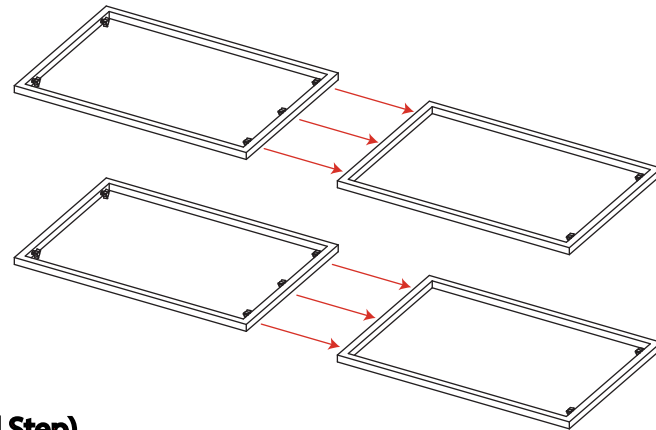
APPENDIX A

PARTS LIST:

#	LABEL	NAME
1	LVRX1	LEFT VERTICAL RECTANGLE
1	RVRX1	RIGHT VERTICAL RECTANGLE
1	BHRX2	BOTTOM HORIZONTAL RECT.
1	THRX2	TOP HORIZONTAL RECTANGLE
4	THR1	VERTIVCAL RECTANGLE
24	RED	2" THUMB SCREWS

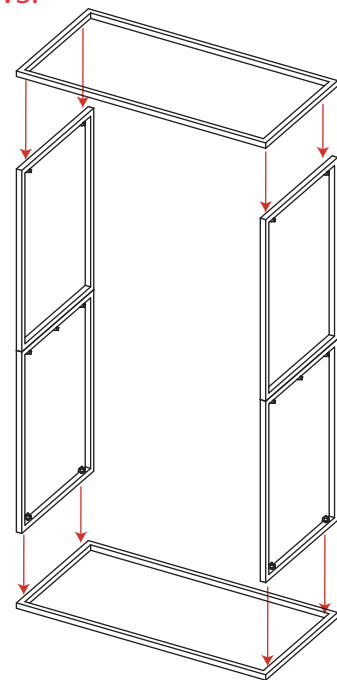
1st Step)

CONNECT THE TWO (2) THRX2 AND THE TWO (2) BHRX2 USING THE RED THUMB SCREWS.



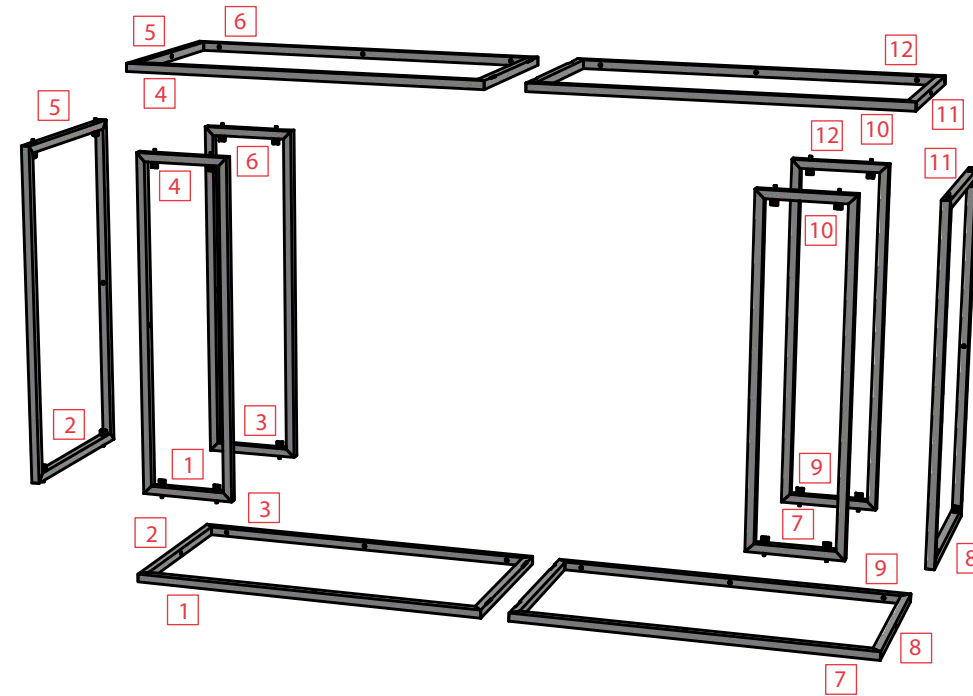
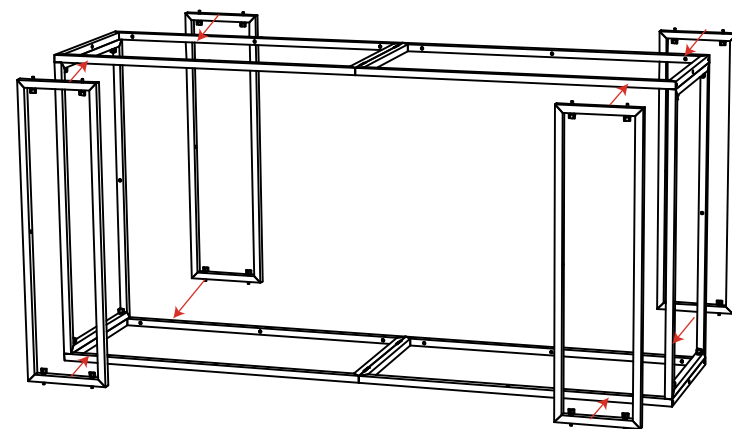
2nd Step)

PLACE THE LVRX1 ON THE GROUND AND CONNECT THE THRX2 AND BHRX2 FROM STEP 1 USING THE RED THUMB SCREWS.

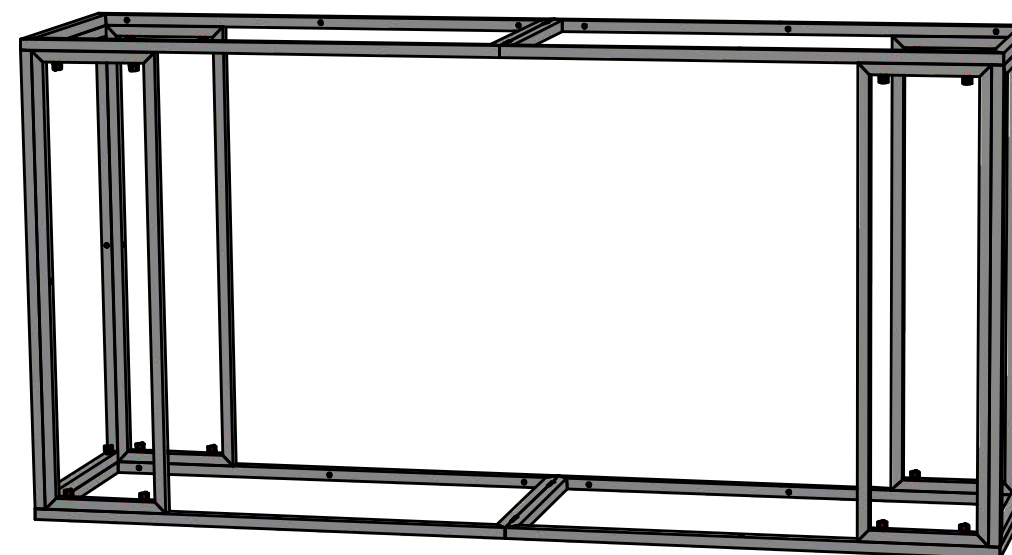


3rd Step)

ATTACH THE FOUR (4) THR1-BHR1 PIECES USING THE RED THUMB SCREWS.



*MATCH NUMBERS TO CONSTRUCT.



ASSEMBLED VIEW



Expo EX PO Displays
A Division of Diamond Displays International

3401 Mary Taylor Road
Birmingham, Alabama 35235
(205) 439-8200

Drawn By: SH



Sheet Title

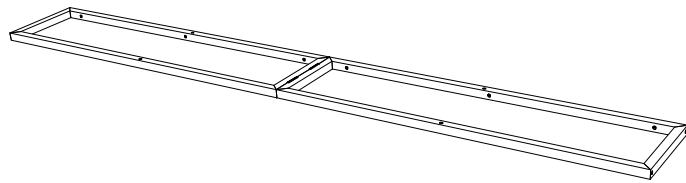
**ASSEMBLY
INSTRUCTIONS**
4x2 MAX FRAME
MQX- F42

APPENDIX BB

PARTS LIST		
QNTY	LABEL	NAME
1	LVH1	LEFT VERTICAL HINGED
1	RVH1	RIGHT VERTICAL HINGED
2	BH1	BOTTOM HORIZONTAL
2	MH1	MIDDLE HORIZONTAL
2	TH1	TOP HORIZONTAL
2	CVH1	CENTER VERTICAL HINGED
2	GRN	1" GREEN THUMB SCREW
4	RED	2" RED THUMB SCREW

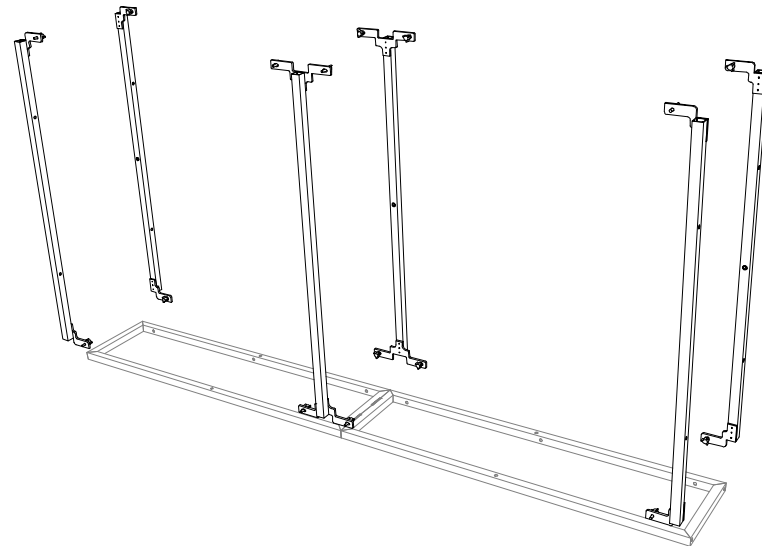
1st Step

START WITH THE LEFT VERTICAL HINGED (LVH1) ON THE GROUND



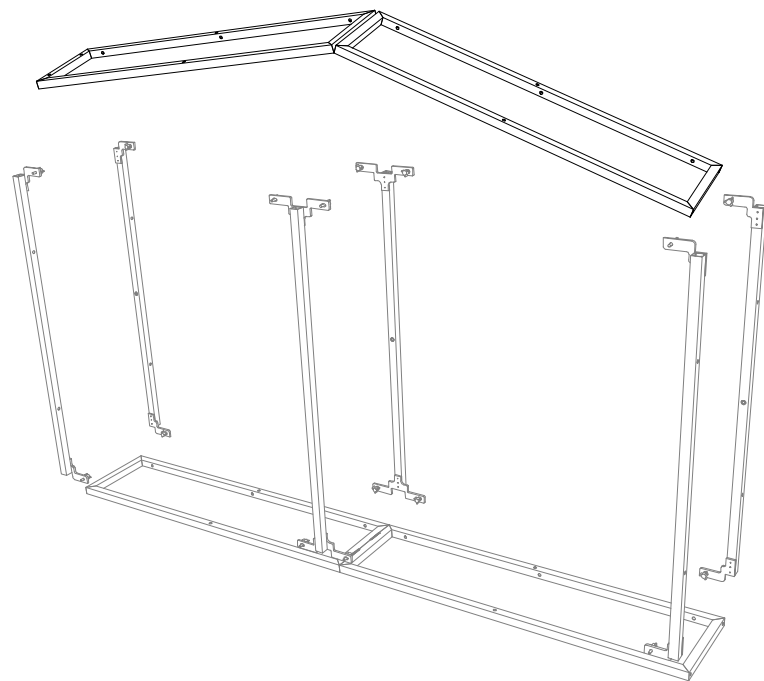
2nd Step

ATTACH THE (2) TOP HORIZONTAL (TH1), THE (2) MIDDLE HORIZONTAL (MH1), AND THE (2) BOTTOM HORIZONTAL (BH1)



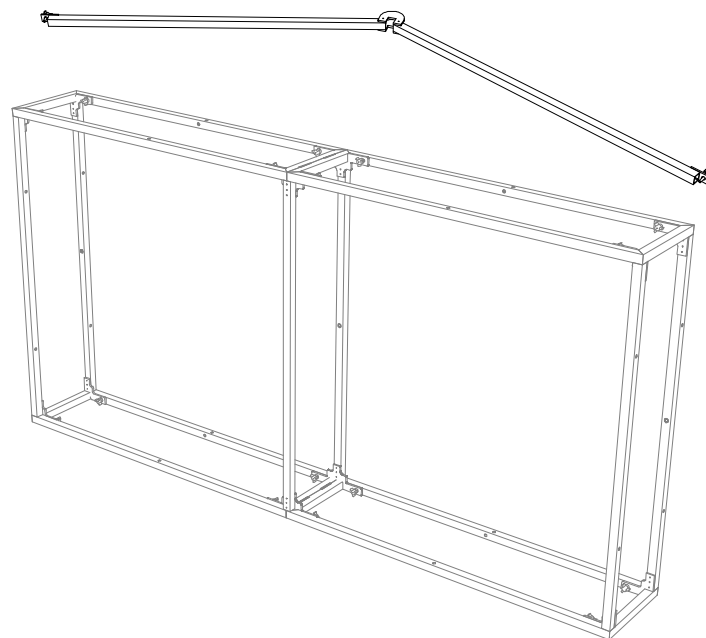
3rd Step

ATTACH THE RIGHT HINGED SIDE (RVH1)



4th Step

ATTACH THE (2) CENTER VERTICAL HINGED (CVH1) AND STAND UP-RIGHT



MATCH NUMBERS TO CONSTRUCT



Expo Displays

3401 Mary Taylor Road
Birmingham, Alabama 35235
(205) 439-8200

Drawn By: AKHIII

THIS PART USED TO MAKE
MQ-F24
2x4 STANDARD FRAME

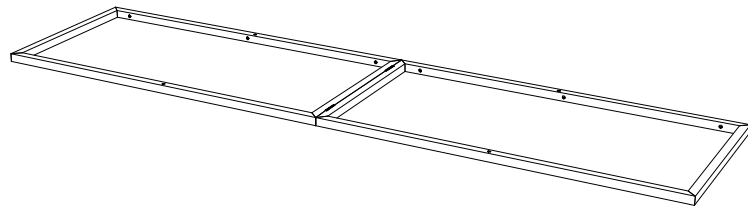
ASSEMBLY
INSTRUCTIONS
2x4 STANDARD FRAME
MQ-F24

APPENDIX B

PARTS LIST		
QNTY	LABEL	NAME
1	LVHX	LEFT VERTICAL HINGED
1	RVHX	RIGHT VERTICAL HINGED
2	BH1	BOTTOM HORIZONTAL
2	MH1	MIDDLE HORIZONTAL
2	TH1	TOP HORIZONTAL
2	CVH1	CENTER VERTICAL HINGED
2	GRN	1" GREEN THUMB SCREW
4	RED	2" RED THUMB SCREW

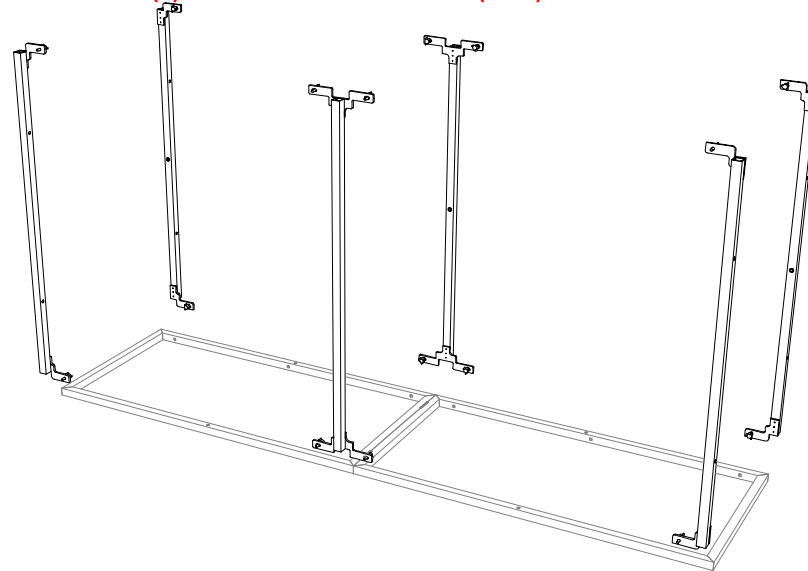
1st S ())

START WITH THE LEFT VERTICAL (LVHX) ON THE GROUND



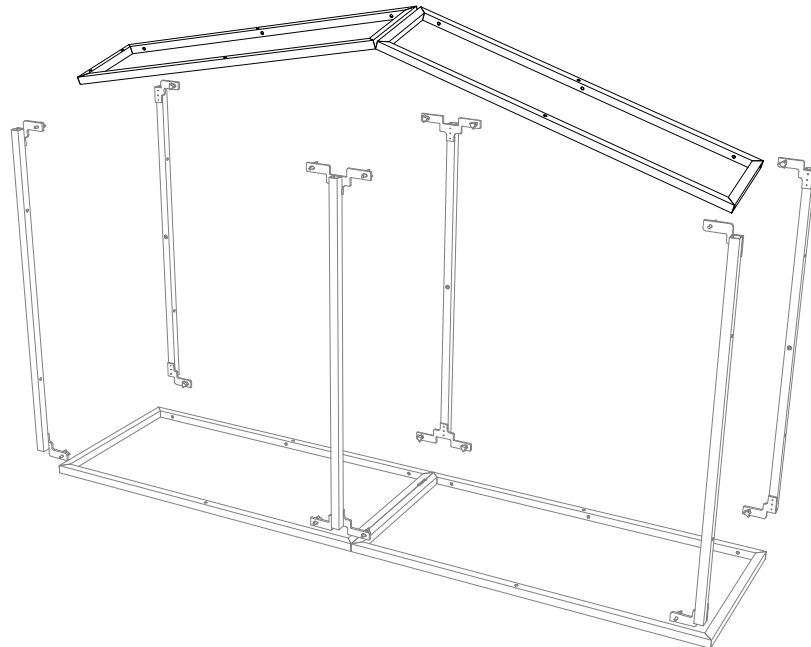
2nd S ())

ATTACH THE (2) TOP HORIZONTAL (TH1), THE (2) MIDDLE HORIZONTAL (MH1), AND THE (2) BOTTOM HORIZONTAL (BH1)



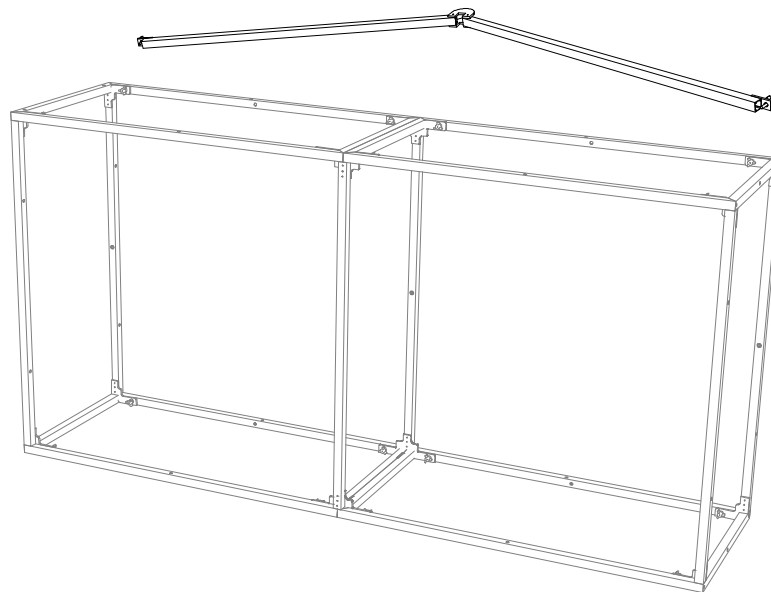
3rd S ())

ATTACH THE RIGHT HINGED SIDE (RVH1)



4th S ())

ATTACH THE (2) CENTER VERTICAL HINGED (CVH1) AND STAND UP-RIGHT



MATCH NUMBERS TO CONSTRUCT

EXPO MultiQuad
An ExpoDisplays Product



EXPO

ExpoDisplays

3401 Mary Taylor Road
Birmingham, Alabama 35235
(205) 439-8200

Drawn By: AKHIII

THIS PART USED TO MAKE
MOX-F24
2x4 MAX FRAME



ASSEMBLY
INSTRUCTIONS

2x4 MAX FRAME
MOX-F24

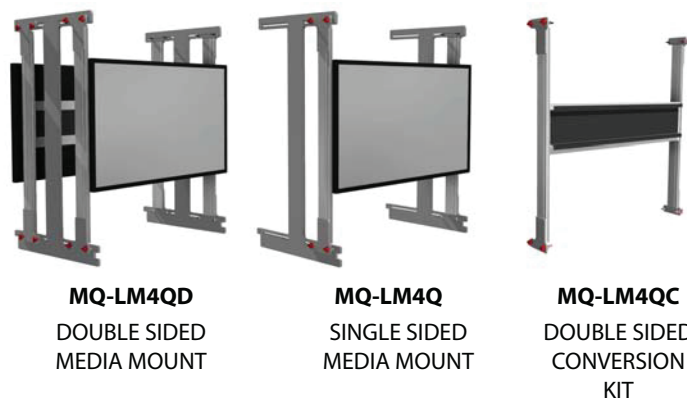
APPENDIX

PARTS LIST:

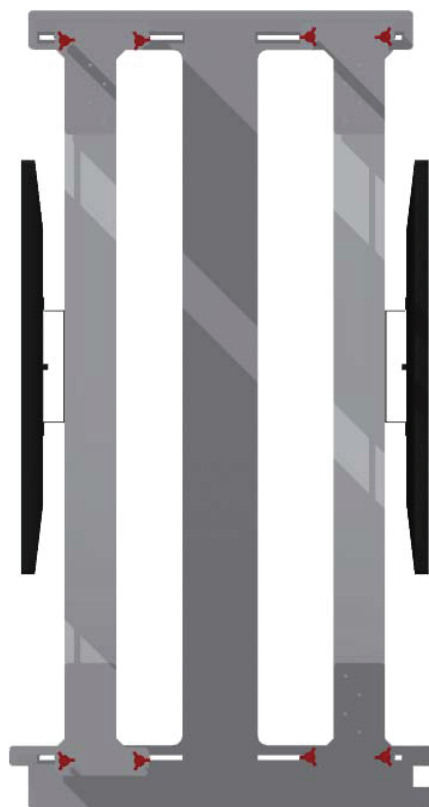
#	LABEL	NAME
1	MQ-LM4QD	MAX MEDIA MOUNT

1st Step)

THIS SET OF ASSEMBLY INSTRUCTIONS FOCUSES ON THE DOUBLE SIDED MOUNT (MQ-LM4QD). THE SAME PROCEDURES APPLY WHEN SETTING UP THE SINGLE SIDED (MQ-LM4Q) AND THE DOUBLE SIDED CONVERSION KIT (MQ-LM4QC)



THESE MOUNTS ARE COMPATIBLE WITH MQX-F24 MULTIQUAD® FRAMES.

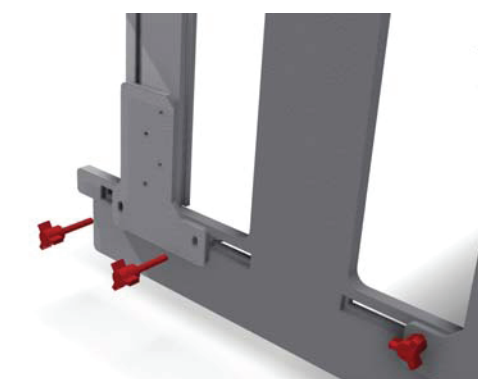


2nd Step)

AN M10 HEX KEY WILL BE INCLUDED WITH THE MOUNT THAT WILL BE USED TO FASTEN THE EXTRUSIONS TOGETHER.

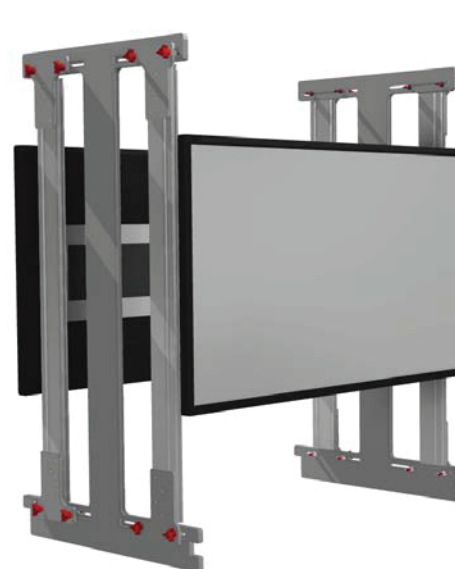


USE THE M10 HEX KEY TO TIGHTEN THE LOCKS THAT ATTACH THE VESA TV MOUNT TO THE ARMS.



ATTACH THE ASSEMBLED ARMS TO THE "I" SHAPED CENTER VERTICAL SUPPORT USING THE PROVIDED RED THUMBSCREWS AND WING NUTS.

NOTE: EXPDISPLAYS® WILL OFTEN ADD ARROWS ON THE EXTRUSIONS TO INDICATE THE IDEAL LOCATION OF THE MONITORS. SIMPLY CONNECT THE ARROWS.



5th Step)

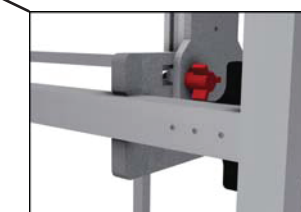
GENTLY TILT THE UNIT'S FRONT ONTO THE FRONT OF THE FRAME. THE MOUNT IS NOW SECURE INSIDE THE FRAME.



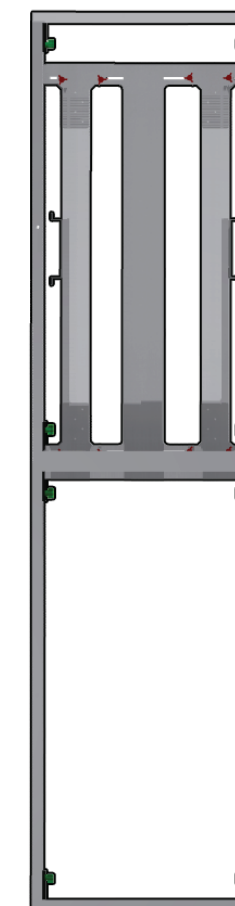
EXPO MultiQuad
An ExpoDisplays Product

4th Step)

LINE THE MONITOR'S CENTER WITHIN THE CENTER OF THE FRAME. THEN GENTLY HOOK THE UNIT'S BACK ONTO THE FRAME



THE "I" SHAPED CENTER HOOKS ONTO THE BACK OF THE MQXF24 FRAME.



ONCE SECURE THE MEDIA MOUNT IS READY TO HOLD YOUR 42" LCD OR PLASMA DISPLAY.



Expo Displays
A Division of Diamond Displays International

3401 Mary Taylor Road
Birmingham, Alabama 35235
(205) 439-8200

Drawn By: NRIMSAND



Sheet Title

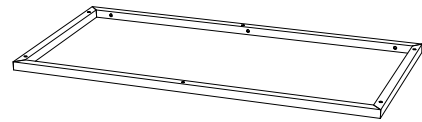
**ASSEMBLY
INSTRUCTIONS
MAX MEDIA MOUNT**

APPENDIX J7

PARTS LIST		
QNTY	LABEL	NAME
1	LVRX1	LEFT VERTICAL RECTANGLE
1	RVRX1	RIGHT VERTICAL RECTANGLE
1	BHRX1	BOTTOM HORIZONTAL RECT.
1	THRX1	TOP HORIZONTAL RECT.
2	CVH2	CENTER VERTICAL HALF
4	GRN	1" GREEN THUMB SCREW
□	RED	2" RED THUMB SCREW
1	CT2□4□	COUNTERTOP FOR MQX-F22C

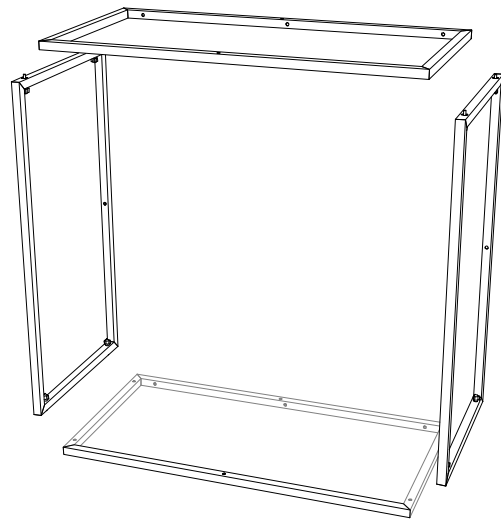
1st Step)

START WITH THE LEFT VERTICAL (LVRX1) ON THE GROUND



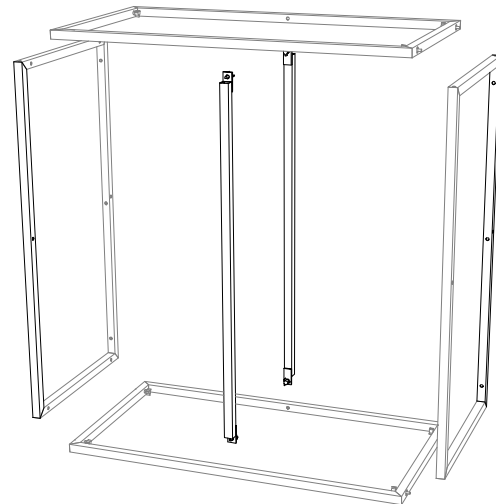
2nd Step)

ATTACH THE TOP HORIZONTAL (THRX1), THE BOTTOM HORIZONTAL (BHRX1), AND THE OTHER RIGHT VERTICAL (RVRX1)



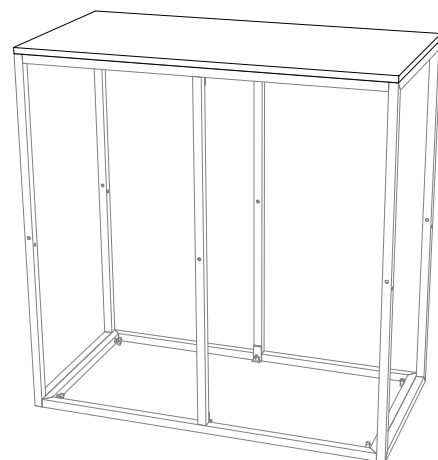
3rd Step)

ROTATE AND ATTACH THE (2) CENTER VERTICAL (CVH2)

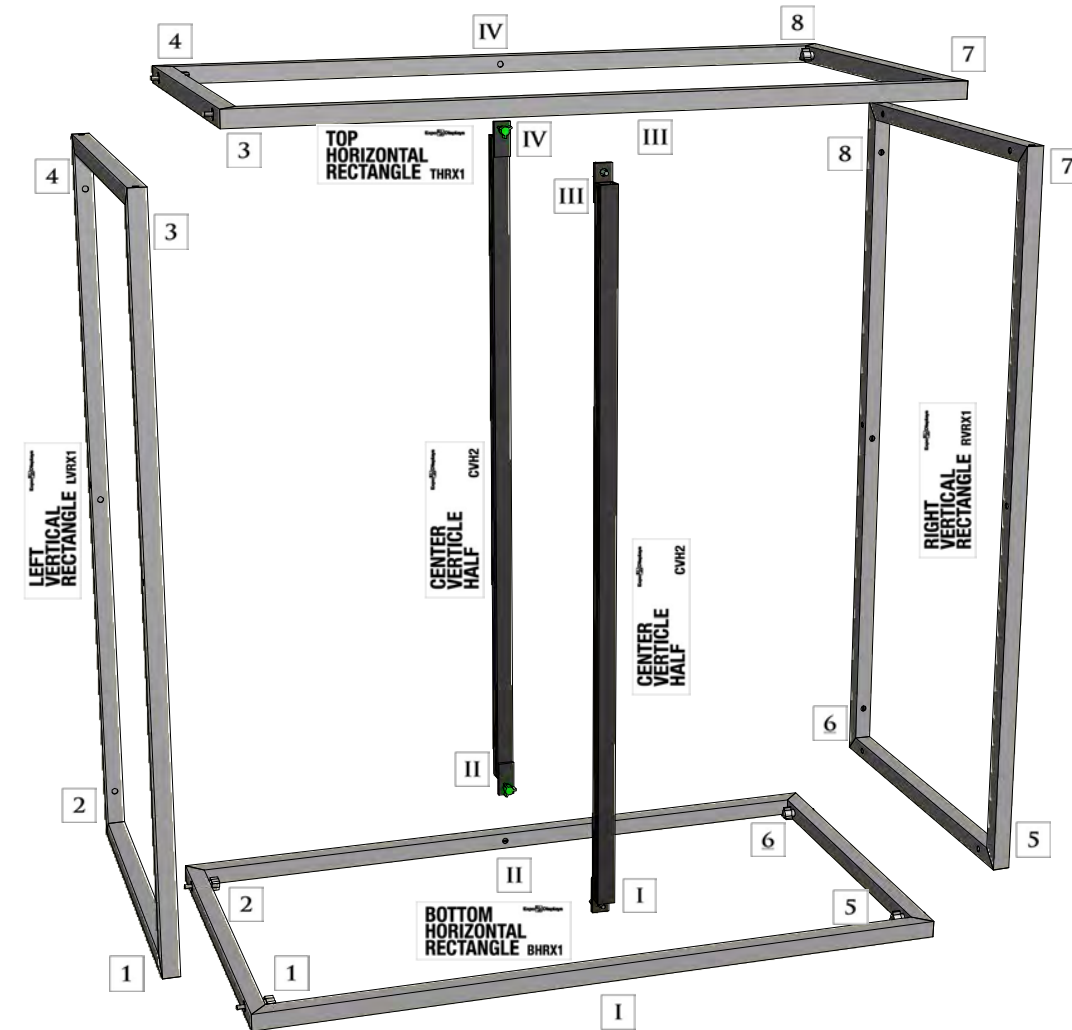


4th Step)

ATTACH THE COUNTERTOP IF NEEDED



MATCH NUMBERS TO CONSTRUCT



EXPO MultiQuad
An ExpoDisplays Product

EXPO

ExpoDisplays

3401 Mary Taylor Road
Birmingham, Alabama 35235
(205) 439-8200

Drawn By: AKHIII

THIS PART USED TO MAKE
MQX-F22
2x2 MAX FRAME



ASSEMBLY
INSTRUCTIONS

2x2 MAX FRAME
MQX-F22

APPENDIX L