

WHEN ASSEMBLING **EXPO MultiQuad**[®]

REMEMBER YOUR **ABC**'s...

ASSEMBLE EACH COMPONENT SEPARATELY

BUILD THE DESIRED LAYOUT

COVER YOUR MULTIQUAD LAYOUT WITH QUADS



EXPO MultiQuad[®]
An **ExpoDisplays** Product

AMERICAN IMAGE DISPLAYS
10 x 20 Custom MultiQuad[®]

EXPO

Expo EXPO Displays[®]
A Division of Diamond Displays International

3401 Mary Taylor Road
Birmingham, Alabama 35235
(205) 439-8200

Project Title

10x20 MULTIQUAD[®]

Sheet Title

**ASSEMBLY
INSTRUCTIONS
COVER SHEET**

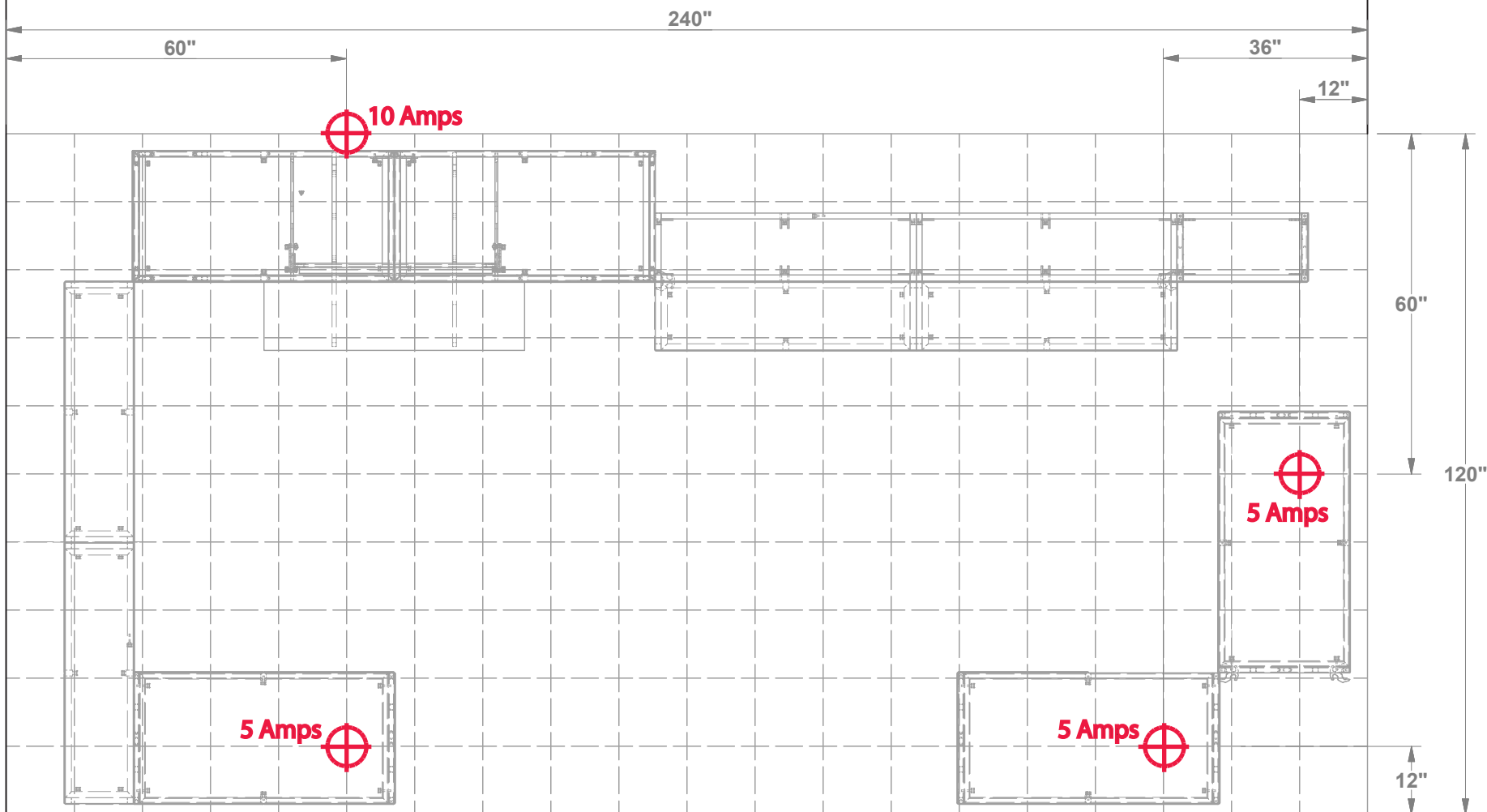
Page 1

ELECTRICAL PLAN



BOOTH # **S3233** ▲

BOOTH # **S3231** ▲



----- OPEN AISLE -----

TOP VIEW

FRONT OF DISPLAY

----- OPEN AISLE -----

	MAIN ELECTRICAL DROP
	ELECTRICAL OUTLET

1 Square = 1'- 0"

SHOW: **IBS 2018**
BOOTH: **S3333**



Expo EXPO Displays
A Division of Diamond Displays International

3401 Mary Taylor Road
Birmingham, Alabama 35235
(205) 439-8200

Job #: 73328

Project Title

10x20 MULTIQAD®

Sheet Title

ASSEMBLY INSTRUCTIONS
ELECTRICAL PLAN

ASSEMBLE ALL FRAMES LISTED USING APPENDIX PAGES



3401 Mary Taylor Road
Birmingham, Alabama 35235
(205) 439-8200

Job #: 73328

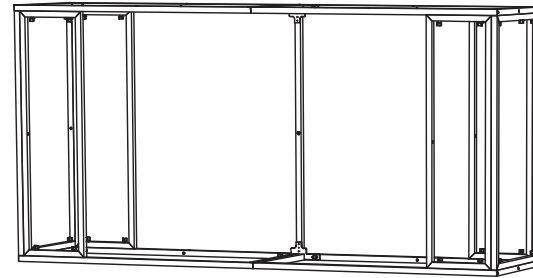
Project Title

10x20 MULTIQAD®

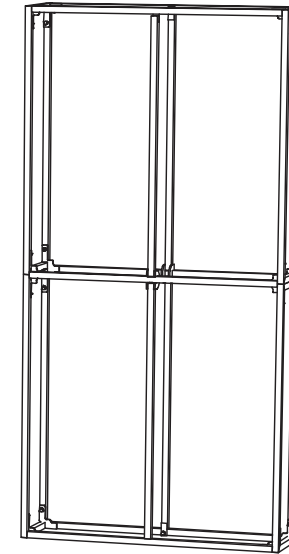
Sheet Title

ASSEMBLY
INSTRUCTIONS
STANDARD PARTS

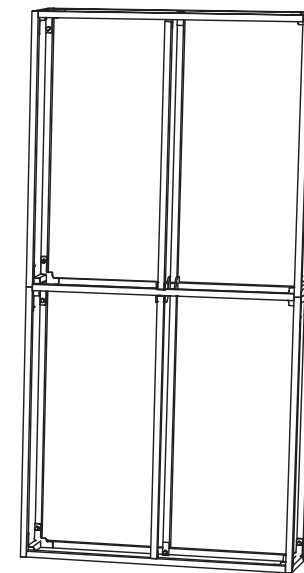
MAX FRAME
(SEE APPENDIX BB)
THIS PART USED TO MAKE
MQX-F42
4x2 MAX FRAME



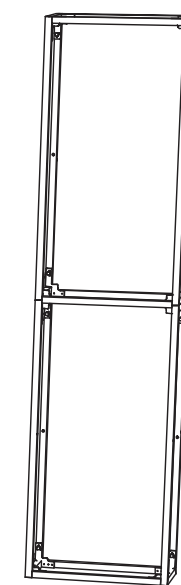
STANDARD FRAME
(SEE APPENDIX B)
THIS PART USED TO MAKE
MQ-F24
2x4 STANDARD FRAME



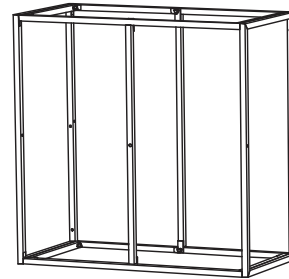
STANDARD FRAME
(SEE APPENDIX B)
THIS PART USED TO MAKE
MQ-F24
2x4 STANDARD FRAME



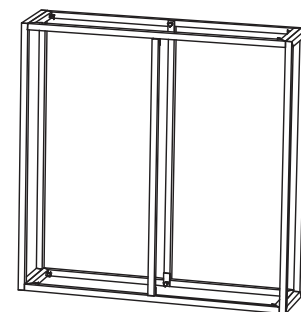
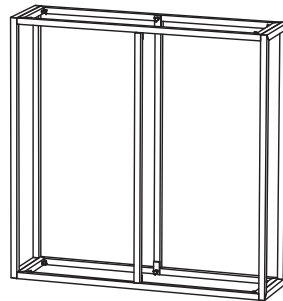
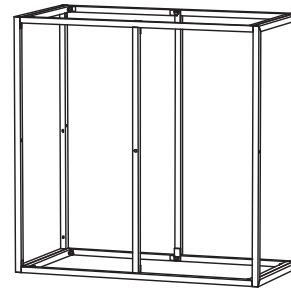
STANDARD FRAME
(SEE APPENDIX D)
THIS PART USED TO MAKE
MQ-F14
1x4 STANDARD FRAME



MAX FRAME
(SEE APPENDIX L)
THIS PART USED TO MAKE
MQX-F22
2x2 MAX FRAME



MAX FRAME
(SEE APPENDIX L)
THIS PART USED TO MAKE
MQX-F22
2x2 MAX FRAME

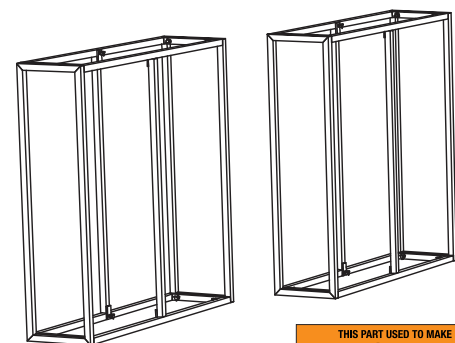


THIS PART USED TO MAKE
MQ-F22
2x2 STANDARD FRAME

STANDARD FRAME
(SEE APPENDIX E)

THIS PART USED TO MAKE
MQ-F22
2x2 STANDARD FRAME

STANDARD FRAME
(SEE APPENDIX E)

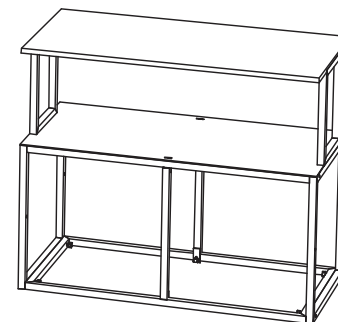


THIS PART USED TO MAKE
MQ-F22
2x2 STANDARD FRAME

STANDARD FRAME
(SEE APPENDIX E)

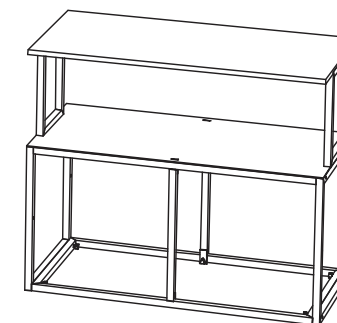
THIS PART USED TO MAKE
MQ-F22
2x2 STANDARD FRAME

STANDARD FRAME
(SEE APPENDIX E)



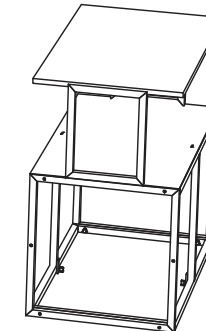
THIS PART USED TO MAKE
MQX-POD3
2x1 MAX PODS

MAX FRAME
(SEE APPENDIX W-3)



THIS PART USED TO MAKE
MQX-POD3
2x1 MAX PODS

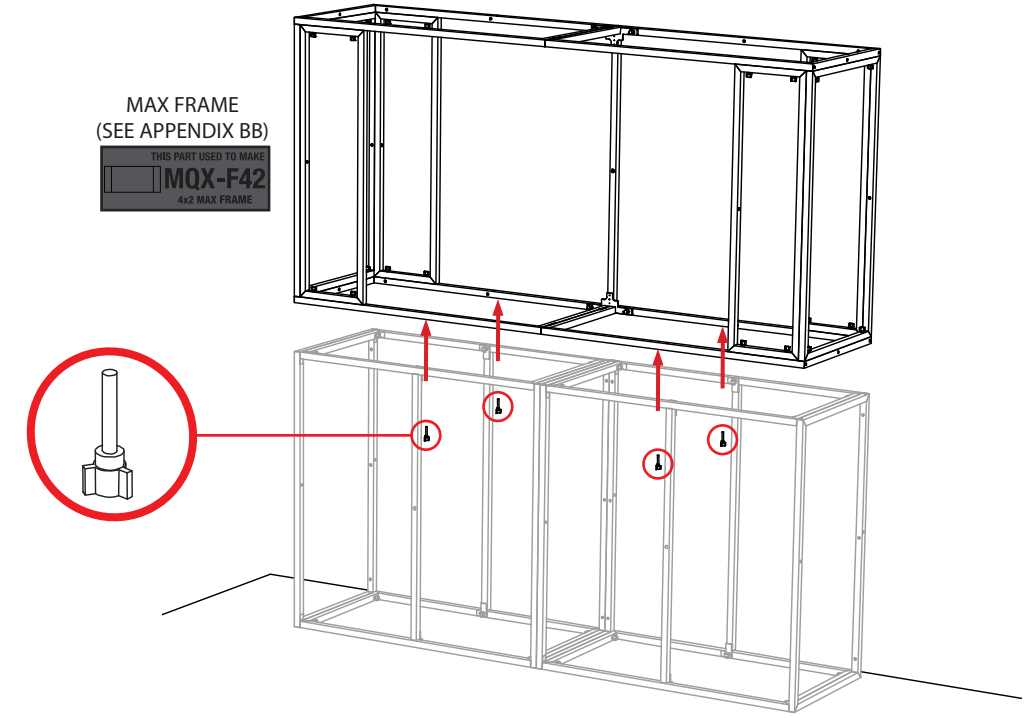
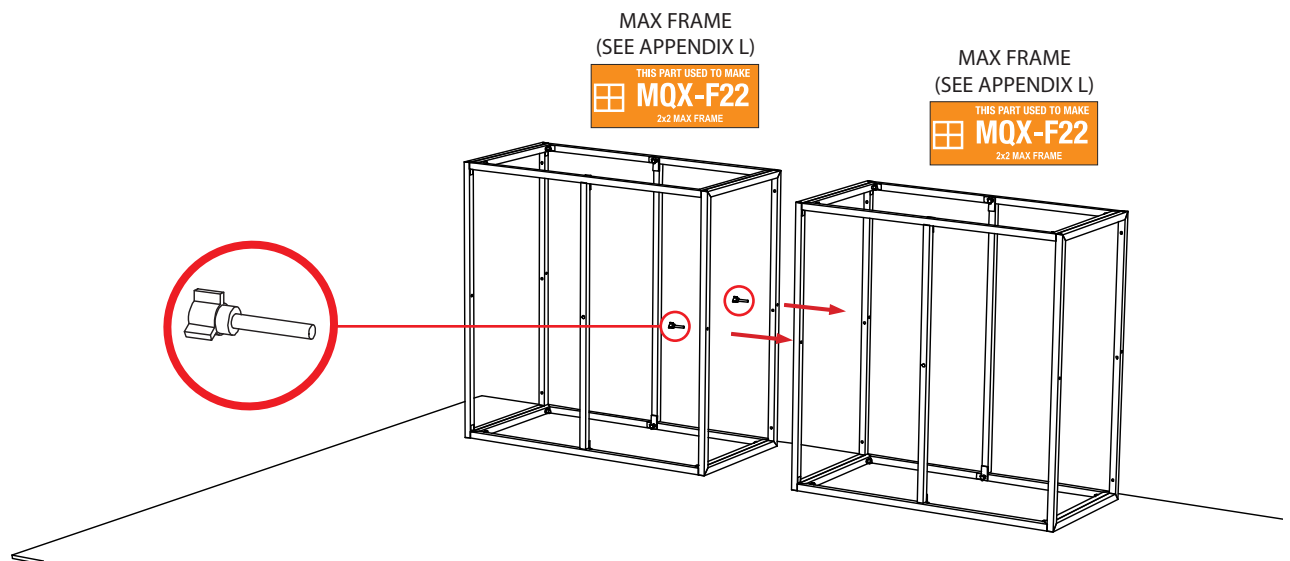
MAX FRAME
(SEE APPENDIX W-3)



THIS PART USED TO MAKE
MQX-POD3
2x1 MAX PODS

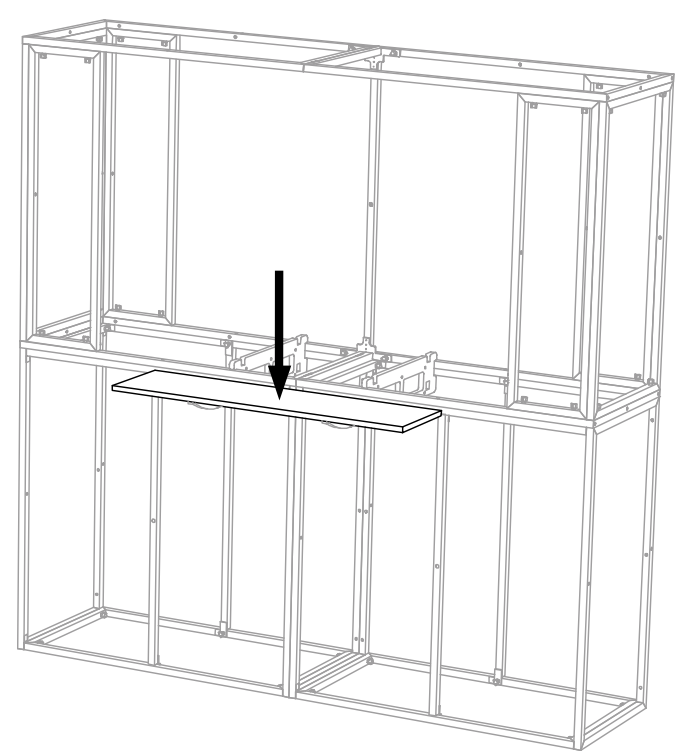
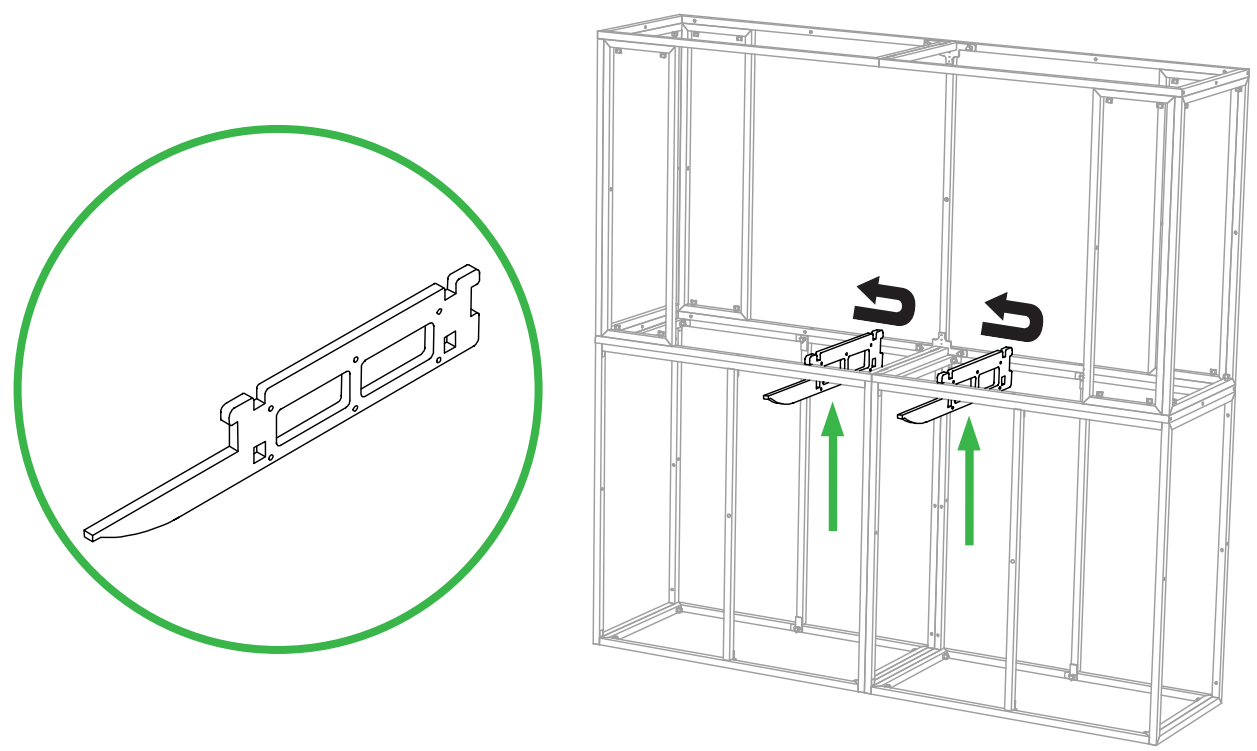
MAX FRAME
(SEE APPENDIX W-3)

MAIN TV TOWER ASSEMBLY



JOIN (2) **MQX-F22** WITH **RED THUMBSCREWS** IN DIRECTION SHOWN

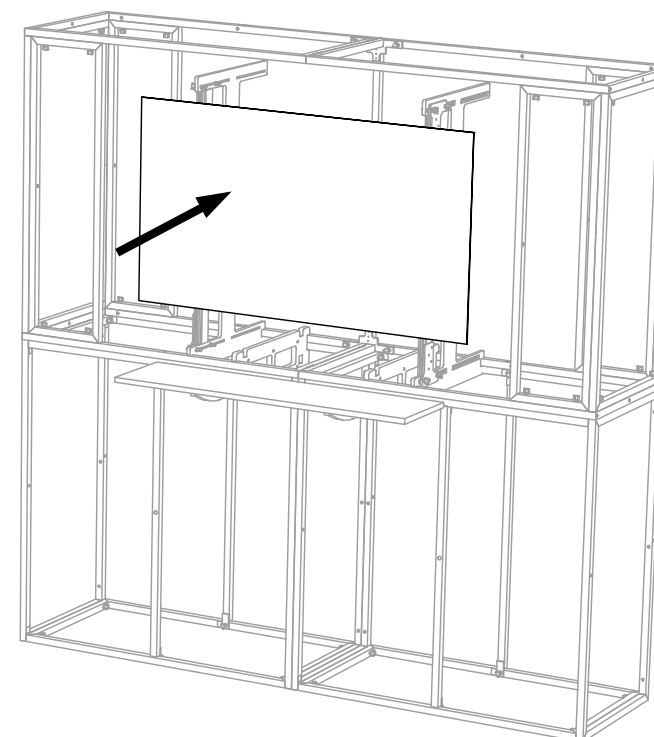
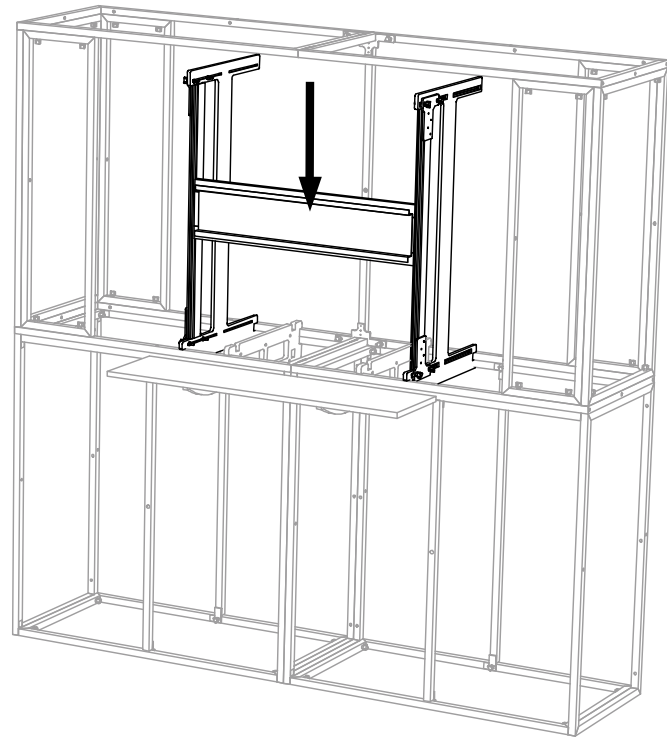
JOIN **MQX-F42** TO TOP OF JOINED FRAMES WITH **RED THUMBSCREWS** IN DIRECTION SHOWN



INSERT (2) **SHELF BRACKETS** INSIDE TOWER DIAGONALLY THEN TURN AND ALIGN WITH FRONT AND BACK BARS AS SHOWN

ATTACH **12X46 COUNTERTOP** TO **SHELF BRACKETS** WITH VELCRO AS SHOWN

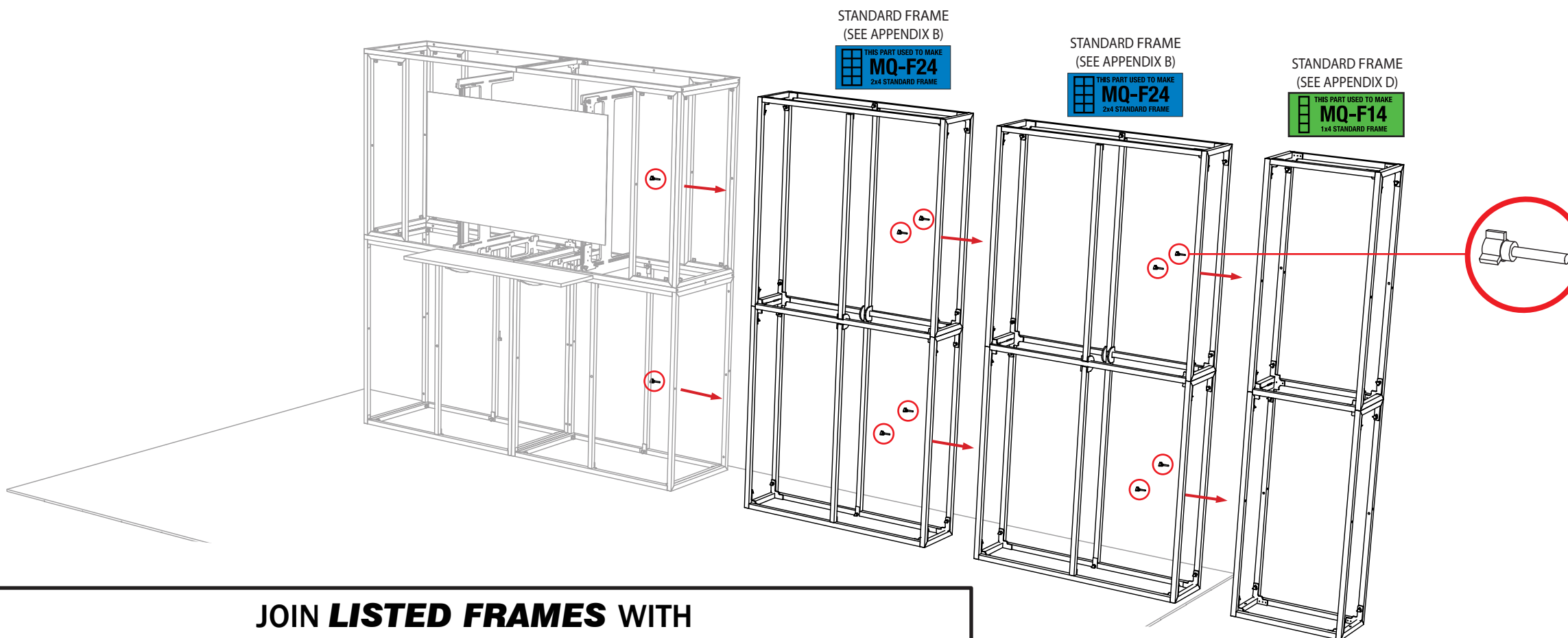
MEDIA MOUNT & STANDARD WALL ASSEMBLY



ASSEMBLE **MEDIA MOUNT** INSIDE
(SEE APPENDIX J-7)



HANG **55" TV** ON **MEDIA MOUNT**
WITH ATTACHED HARDWARE



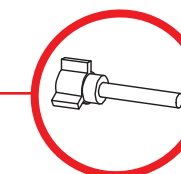
STANDARD FRAME
(SEE APPENDIX B)



STANDARD FRAME
(SEE APPENDIX B)



STANDARD FRAME
(SEE APPENDIX D)



JOIN **LISTED FRAMES** WITH
RED THUMBSCREWS IN DIRECTION SHOWN



Expo EXPO Displays
A Division of Diamond Displays International

3401 Mary Taylor Road
Birmingham, Alabama 35235
(205) 439-8200

Job #: 73328

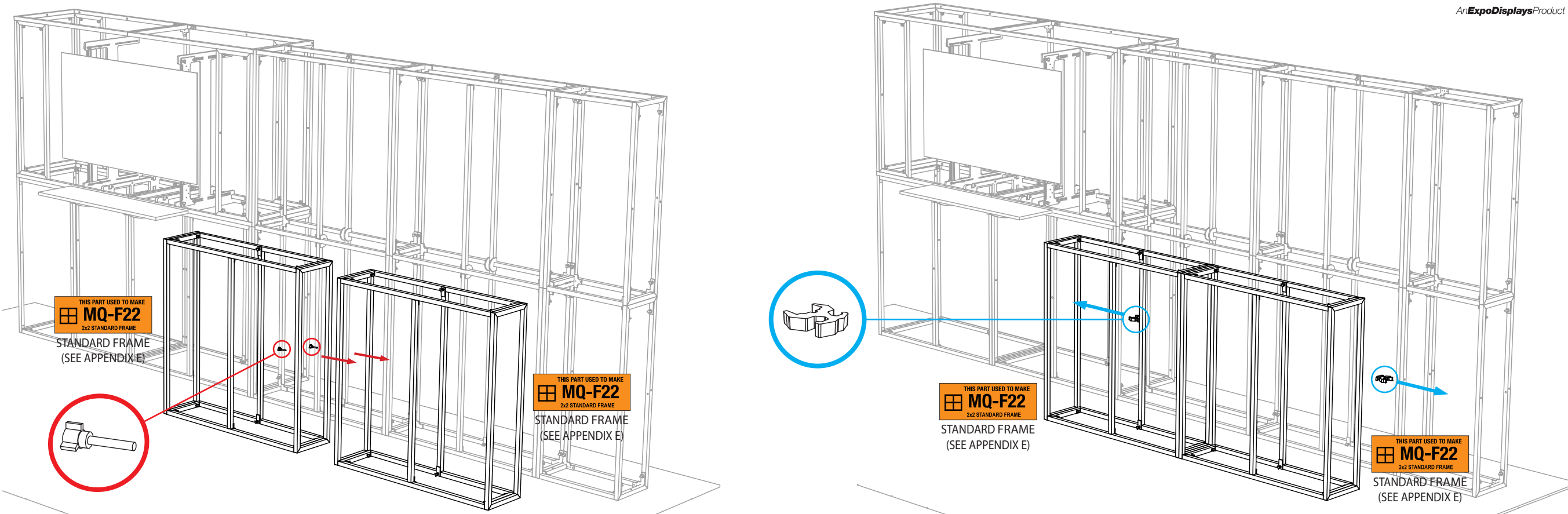
Project Title

10x20 MULTIQUAD®

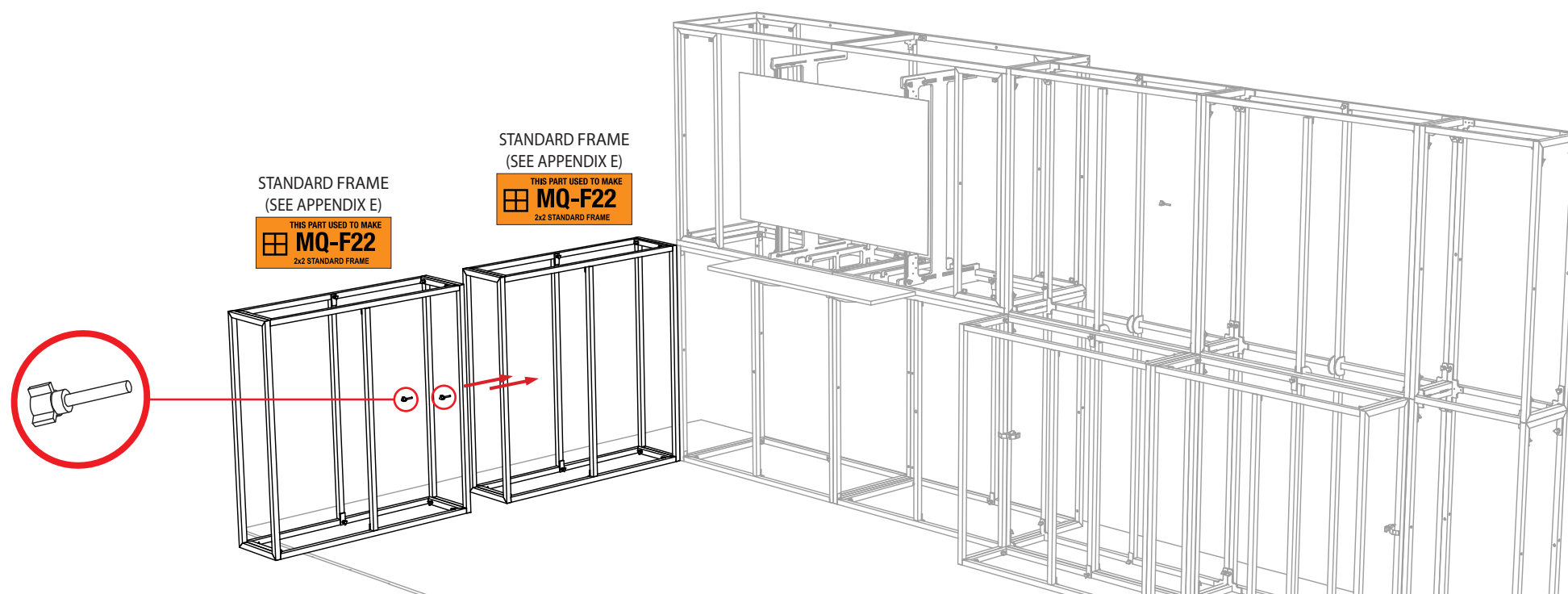
Sheet Title

**ASSEMBLY
INSTRUCTIONS**
**MEDIA MOUNT &
STANDARD WALL
ASSEMBLY**

MAIN WALL & RETURN COUNTER ASSEMBLY




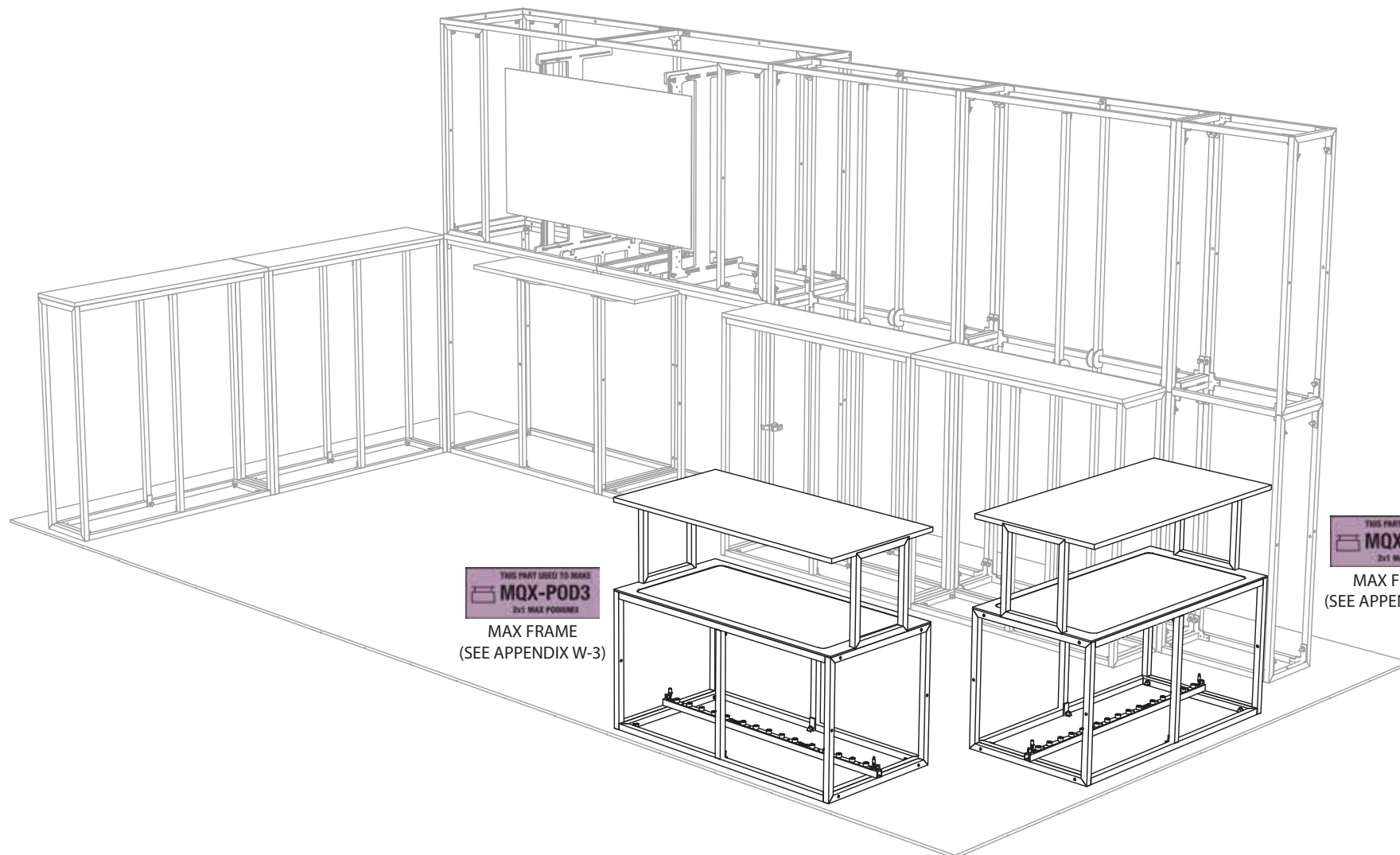
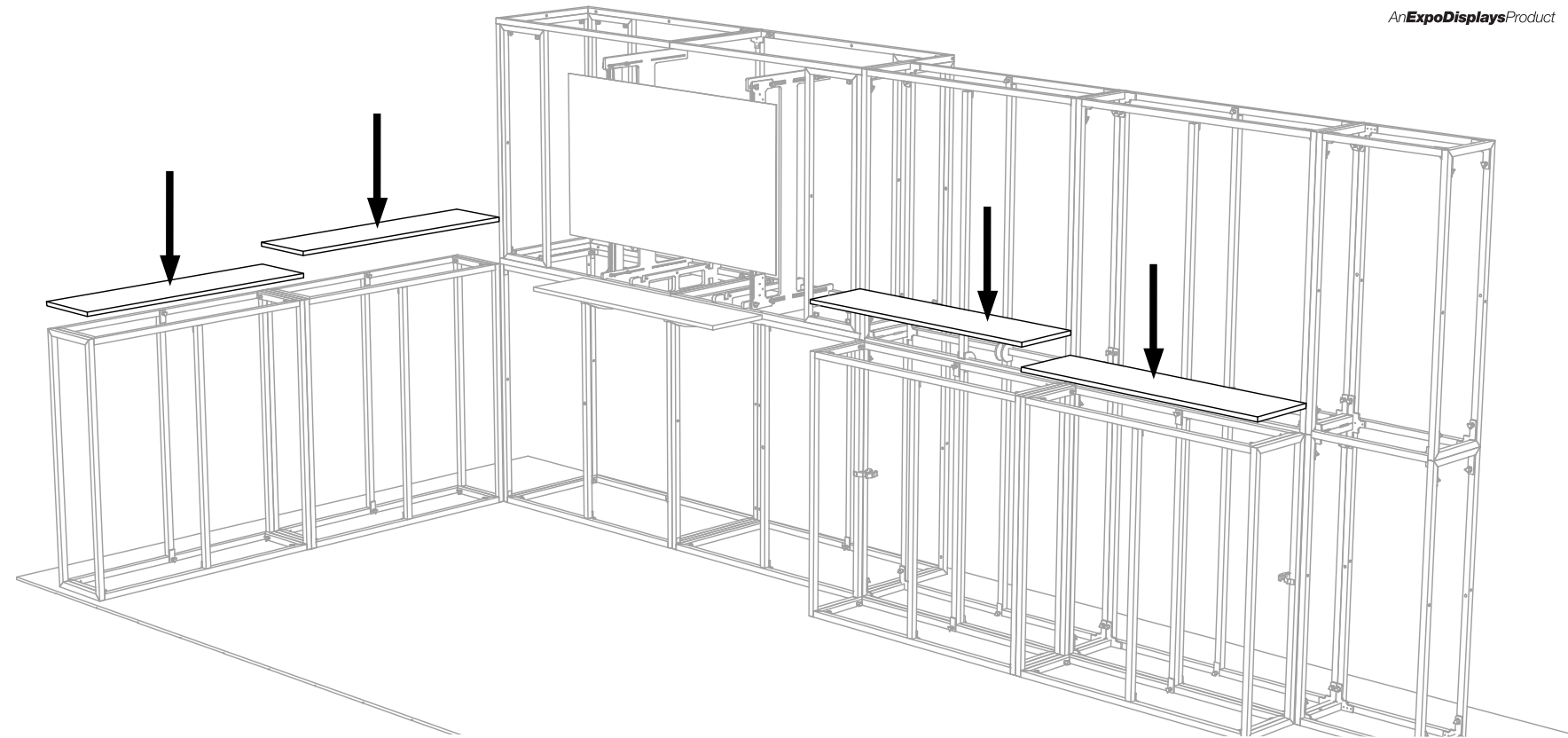
JOIN (2) **MQ-F22** WITH **RED THUMBSCREWS** IN DIRECTION SHOWN
THEN ATTACH JOINED FRAMES TO BACK WALL WITH (2) **PRESSURE CLAMPS**



JOIN (2) **MQ-F22** WITH **RED THUMBSCREWS** IN DIRECTION SHOWN
THEN PLACE JOINED FRAMES AT CORNER OF **TV TOWER** WITH (2) **PRESSURE CLAMPS**

COUNTERTOP & RIGHT PODIUM ASSEMBLY

PLACE (4) 12X46 COUNTERTOPS
ON TOP OF  MQ-F22 AS SHOWN
WITH ATTACHED REGISTER BLOCKS



PLACE (2)  MX-POD3 JOINED AT EDGE
IN RIGHT CORNER OF FLOORSPACE
AS SHOWN

THIS PART USED TO MAKE
MX-POD3
2x1 MAX PODS
MAX FRAME
(SEE APPENDIX W-3)

THIS PART USED TO MAKE
MX-POD3
2x1 MAX PODS
MAX FRAME
(SEE APPENDIX W-3)



Expo EXPO Displays
A Division of Diamond Displays International

3401 Mary Taylor Road
Birmingham, Alabama 35235
(205) 439-8200

Job #: 73328

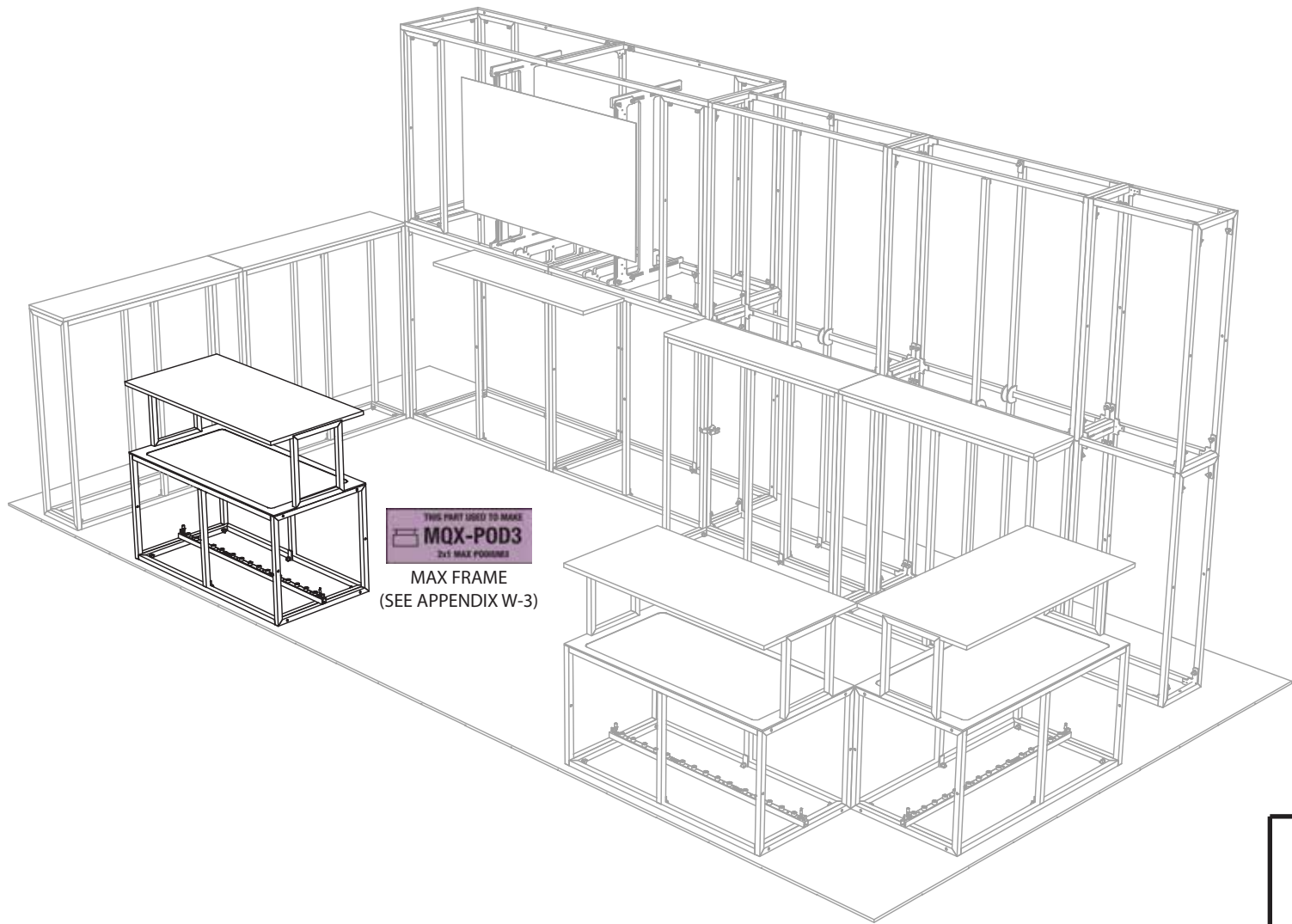
Project Title

10x20 MULTIQAD®

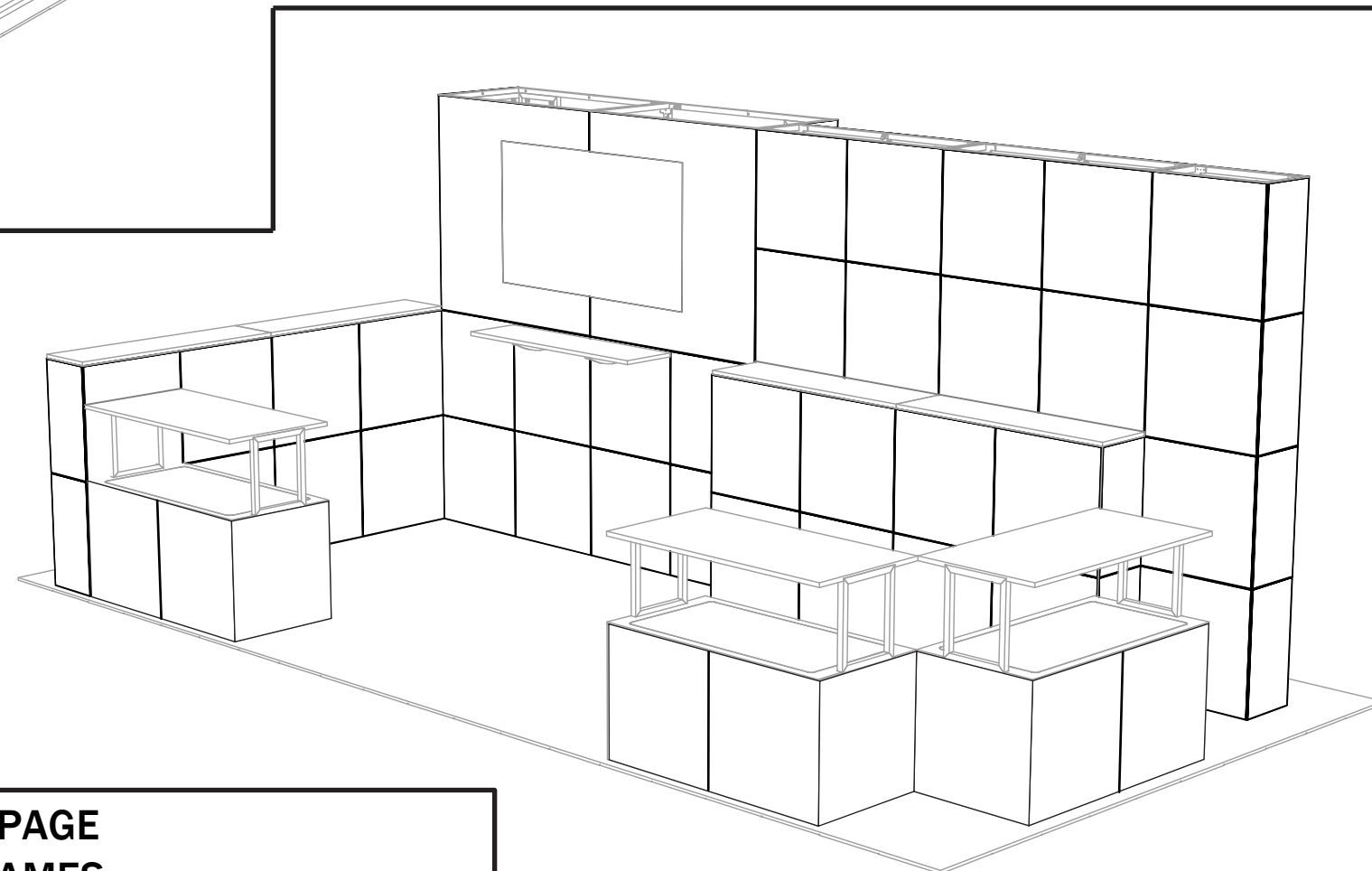
Sheet Title

ASSEMBLY INSTRUCTIONS
COUNTERTOP & RIGHT PODIUM ASSEMBLY

LEFT PODIUM ASSEMBLY & DESIRED LAYOUT



PLACE  **MQX-POD3**
AGAINST RETURN
 **MQ-F22** AS SHOWN
2x2 STANDARD FRAME



SEE **GRAPHIC LAYOUT** ON NEXT PAGE
TO ADD **QUADS** TO ASSEMBLED FRAMES



Expo EXPO Displays®
A Division of Diamond Displays International

3401 Mary Taylor Road
Birmingham, Alabama 35235
(205) 439-8200

Job #: 73328

Project Title

10x20 MULTIQUAD®

Sheet Title

**ASSEMBLY
INSTRUCTIONS**

**LEFT PODIUM
ASSEMBLY &
DESIRED LAYOUT**

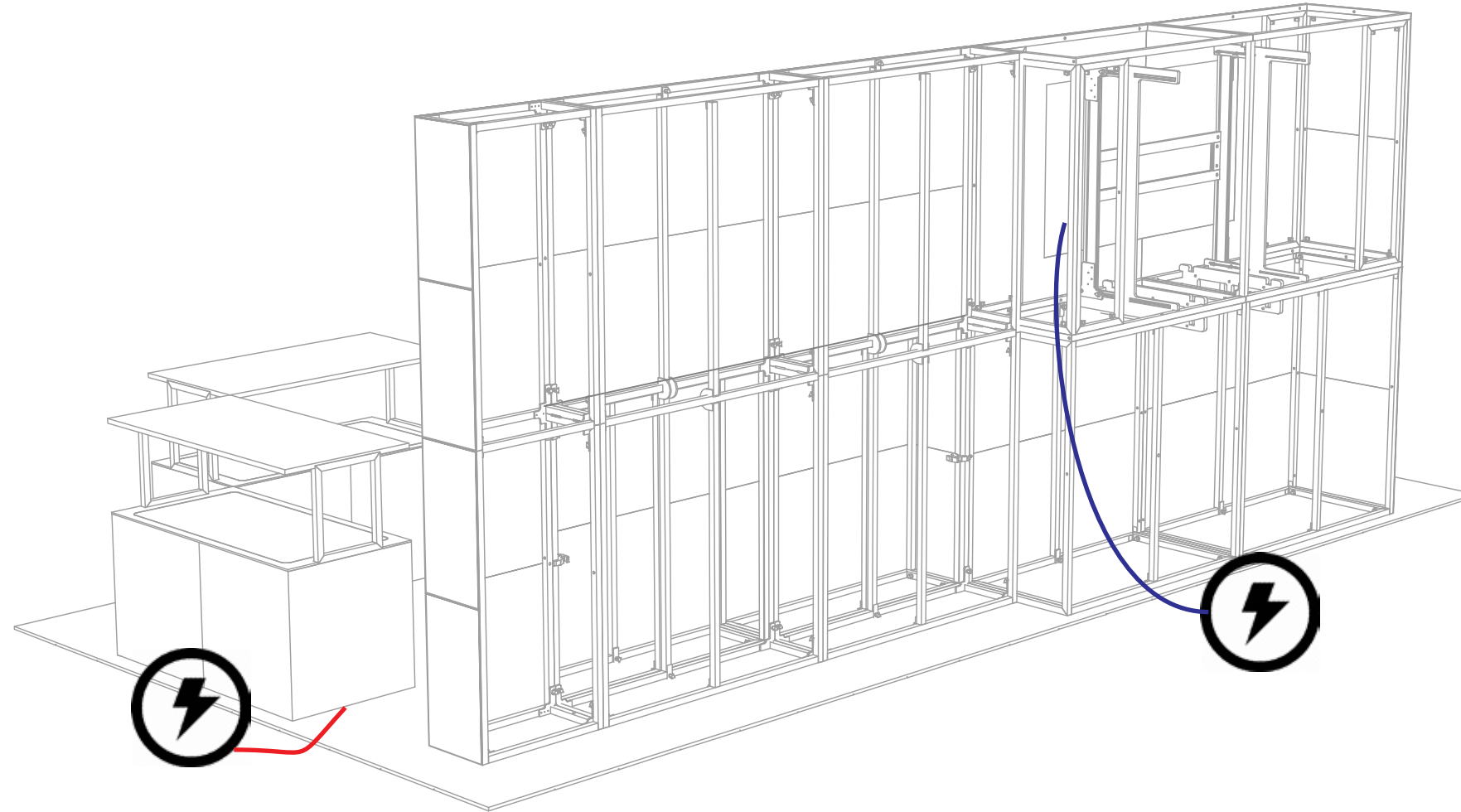
ELECTRICAL REQUIREMENTS








Expo EXPO Displays
A Division of Diamond Displays International

3401 Mary Taylor Road
Birmingham, Alabama 35235
(205) 439-8200

Job #: 73328



CONNECT LIGHTBARS TO POWER DROP
CONNECT TV POWER TO POWER DROP

	POWER ADAPTER CORD
	EXTENSION CORD
	TV POWER CORD
	POWER "SQUID"
	POWER DROP

Project Title

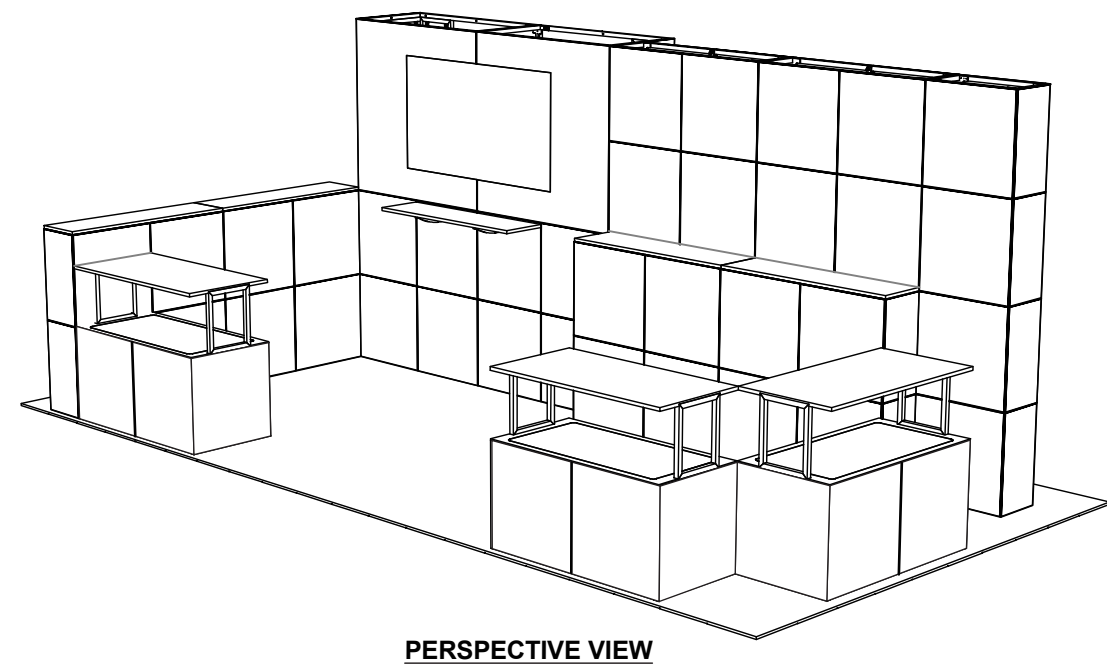
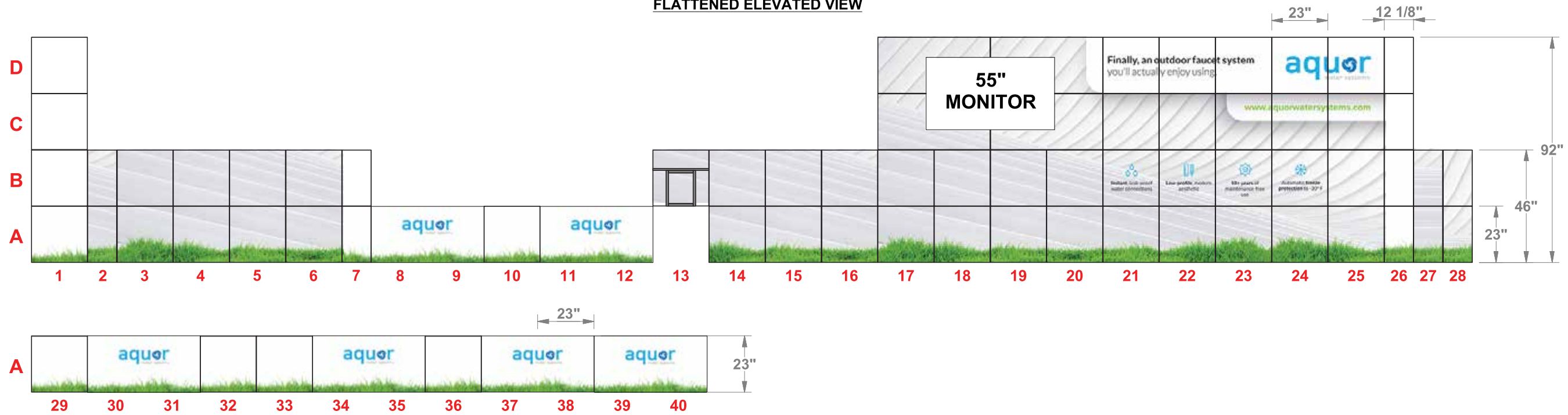
10x20 MULTIQAD®

Sheet Title

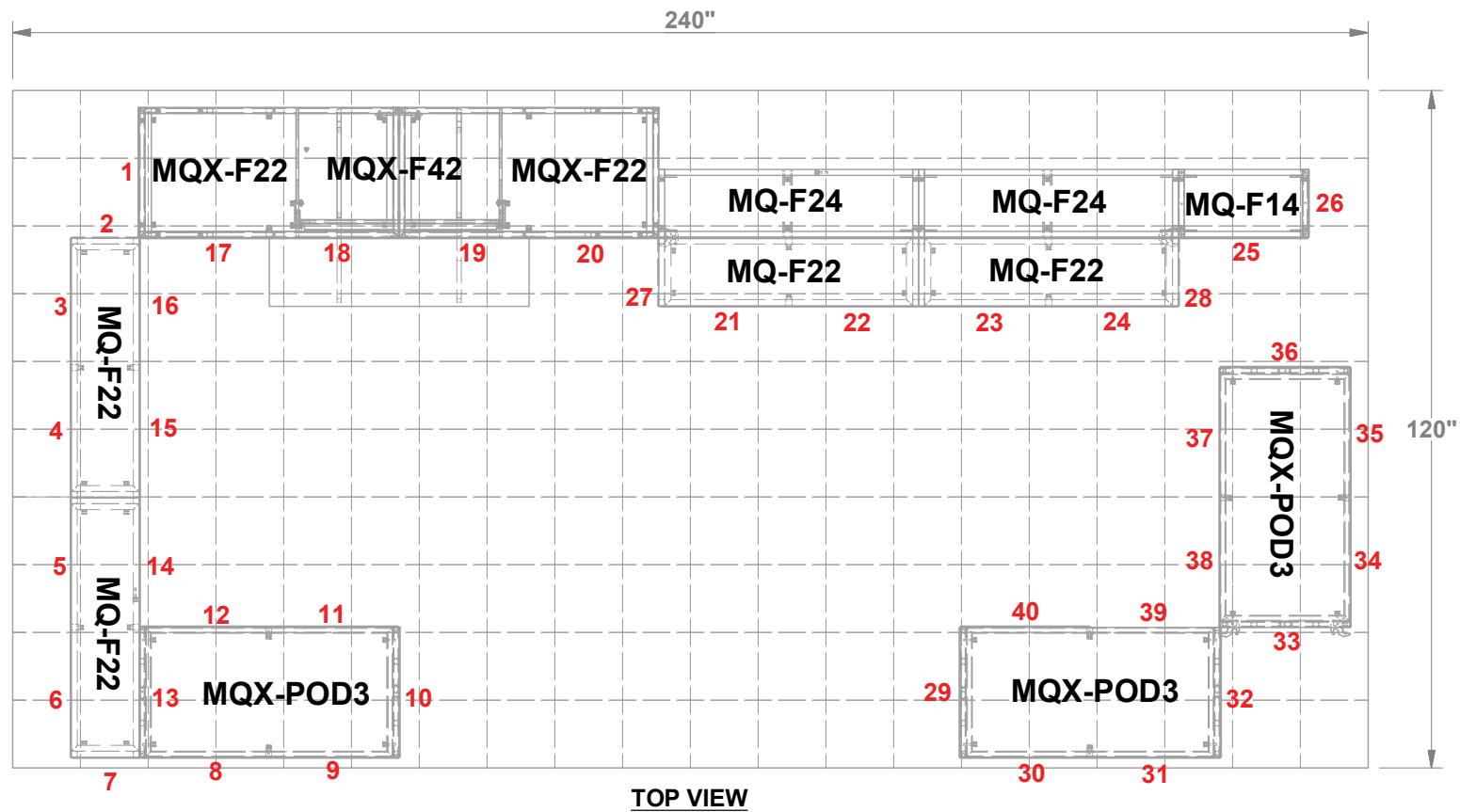
**ASSEMBLY
INSTRUCTIONS**
**ELECTRICAL
REQUIREMENTS**

GRAPHIC LAYOUT

FLATTENED ELEVATED VIEW



PERSPECTIVE VIEW



TOP VIEW



Expo EXPO Displays
A Division of Diamond Displays International

3401 Mary Taylor Road
Birmingham, Alabama 35235
(205) 439-8200

Job #: 73328

Project Title

10x20 MULTIQUAD®

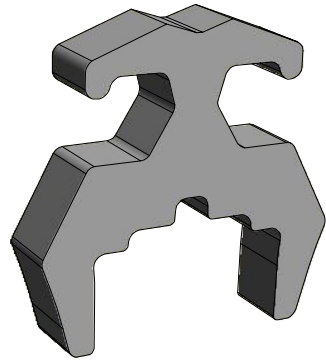
Sheet Title

ASSEMBLY
INSTRUCTIONS

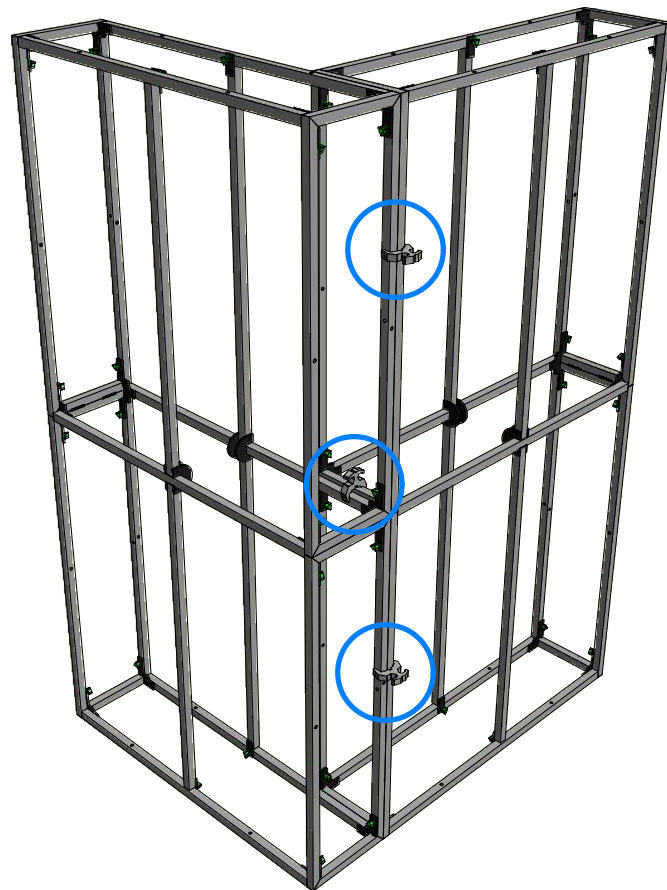
GRAPHIC LAYOUT

**FRAME CLAMP INSTRUCTION
MQ-CLMP**

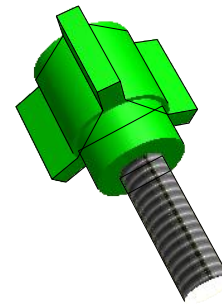
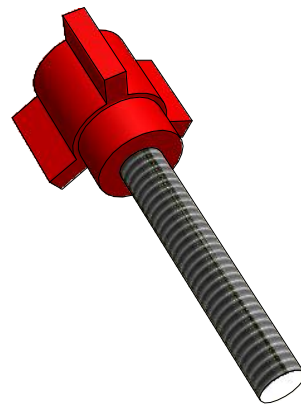
(NOT REQUIRED IN EVERY CONFIGURATION)



THE MQ-CLMP IS A FRICTION-FIT CONNECTOR / ALIGNMENT TOOL THAT DOES NOT REQUIRE TOOLS. THEY ARE TO BE USED IN ABNORMAL MULTIQUAD FRAME CONFIGURATIONS OR AS ADDITIONAL FRAME SECURITY IN SPECIAL SITUATIONS



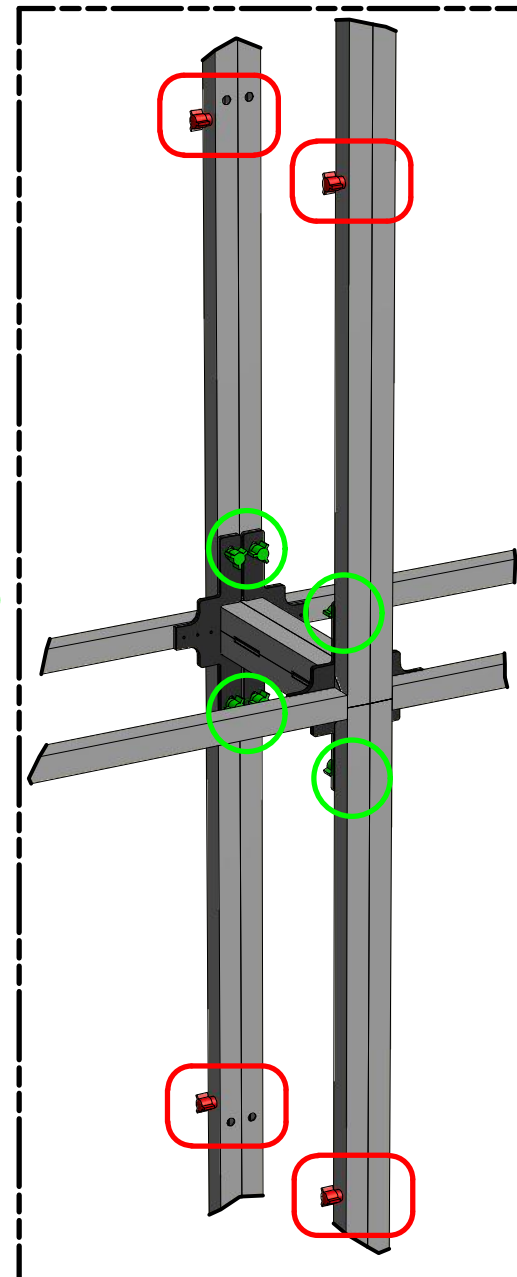
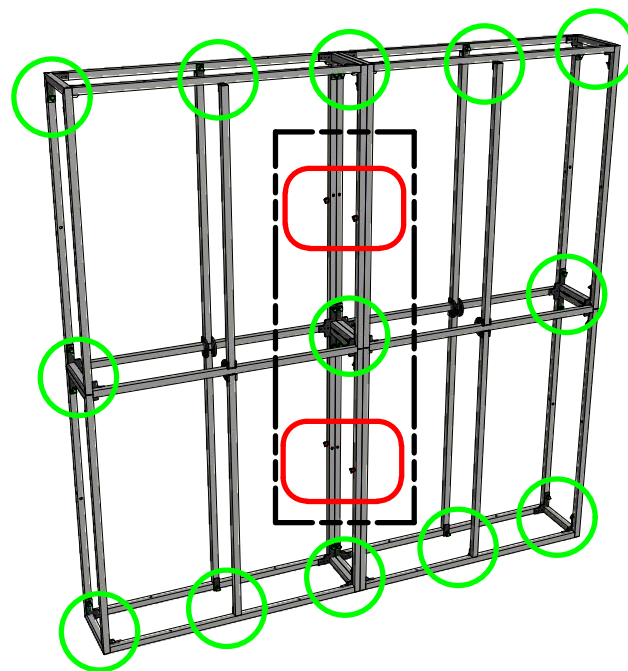
**THUMB SCREW INSTRUCTION
MQ-TSR2 / MQ-TSG1**



THE 2" RED THUMB SCREW IS USED TO CONNECT MULTIQUAD FRAMES TO OTHER MULTIQUAD FRAMES. EACH FRAME HAS RIVET NUT ON ONE SIDE AND A HOLE ON THE OTHER TO ALLOW FRAME TO FRAME CONNECTION

THE 1" GREEN THUMB SCREWS ARE USED WHEN ASSEMBLING 1x4 AND 2x4 FRAMES. SEE APPENDIX PAGES

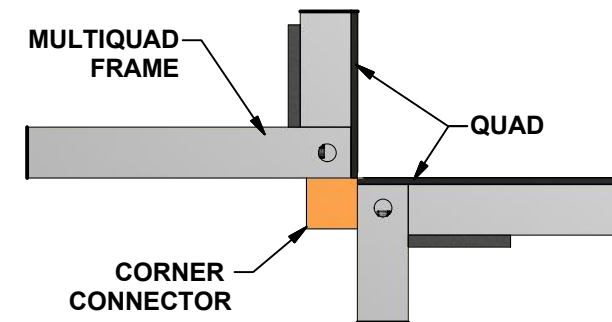
DUE TO THE RIVET NUTS, ALL FRAMES HAVE A LEFT AND RIGHT SIDE. VERIFY FRAME ORIENTATION TO ALLOW FRAME TO FRAME CONNECTION



**CORNER CONNECTOR INSTRUCTION
MQ-BTW**

(NOT REQUIRED IN EVERY CONFIGURATION)

THE MQ-BTW CORNER ALIGNMENT TOOL IS DESIGNED TO AID IN THE ALIGNMENT OF FRAMES AS NEEDED IN SOME MULTIQUAD CONFIGURATIONS.



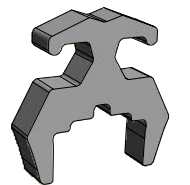
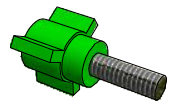
AFTER TWO MULTIQUAD FRAMES ARE SET "CORNER-TO-CORNER" THE MQ-BTW SIMPLY ATTACHES TO THE EXISTING MAGNETS ON THE FRAME



Expo Displays

3401 Mary Taylor Road
Birmingham, Alabama 35235
(205) 439-8200

Drawn By: AKHIII



**ASSEMBLY
INSTRUCTIONS**

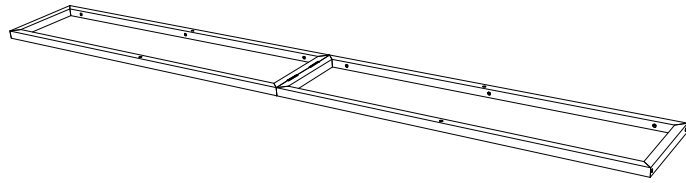
CONNECTORS & ALIGNMENT TOOLS

APPENDIX A

PARTS LIST		
QNTY	LABEL	NAME
1	LVH1	LEFT VERTICAL HINGED
1	RVH1	RIGHT VERTICAL HINGED
2	BH1	BOTTOM HORIZONTAL
2	MH1	MIDDLE HORIZONTAL
2	TH1	TOP HORIZONTAL
2	CVH1	CENTER VERTICAL HINGED
2	GRN	1" GREEN THUMB SCREW
4	RED	2" RED THUMB SCREW

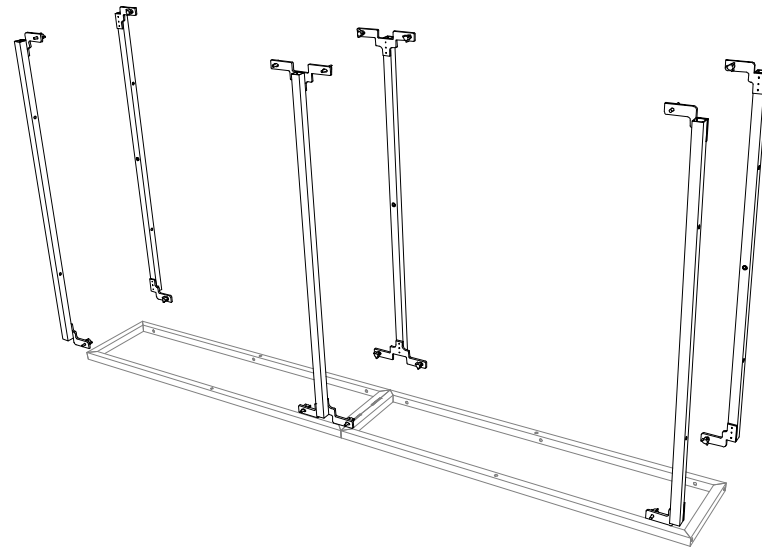
1st Step

START WITH THE LEFT VERTICAL HINGED (LVH1) ON THE GROUND



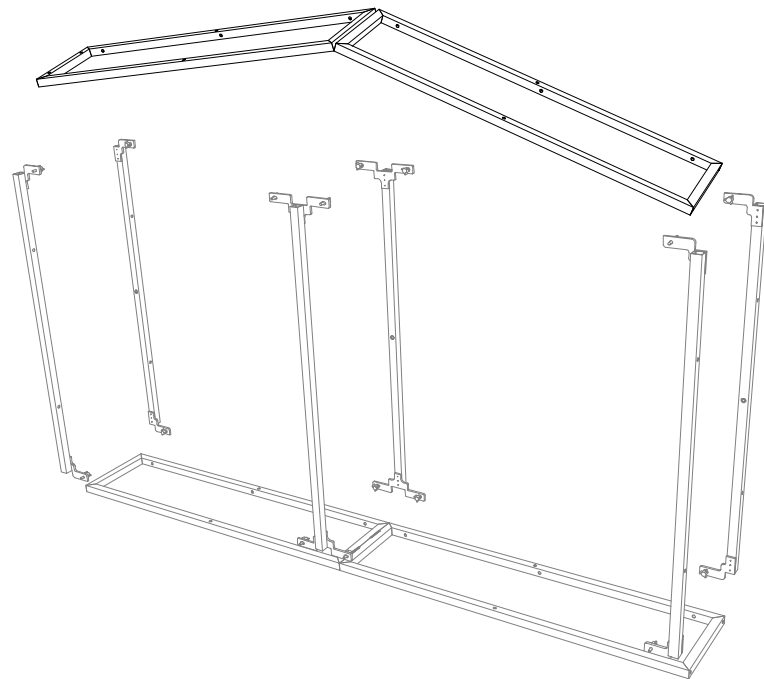
2nd Step

ATTACH THE (2) TOP HORIZONTAL (TH1), THE (2) MIDDLE HORIZONTAL (MH1), AND THE (2) BOTTOM HORIZONTAL (BH1)



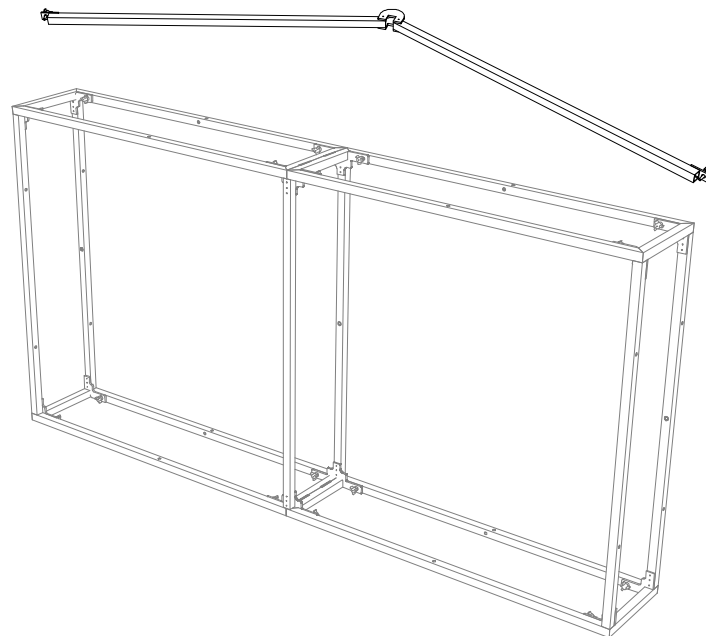
3rd Step

ATTACH THE RIGHT HINGED SIDE (RVH1)

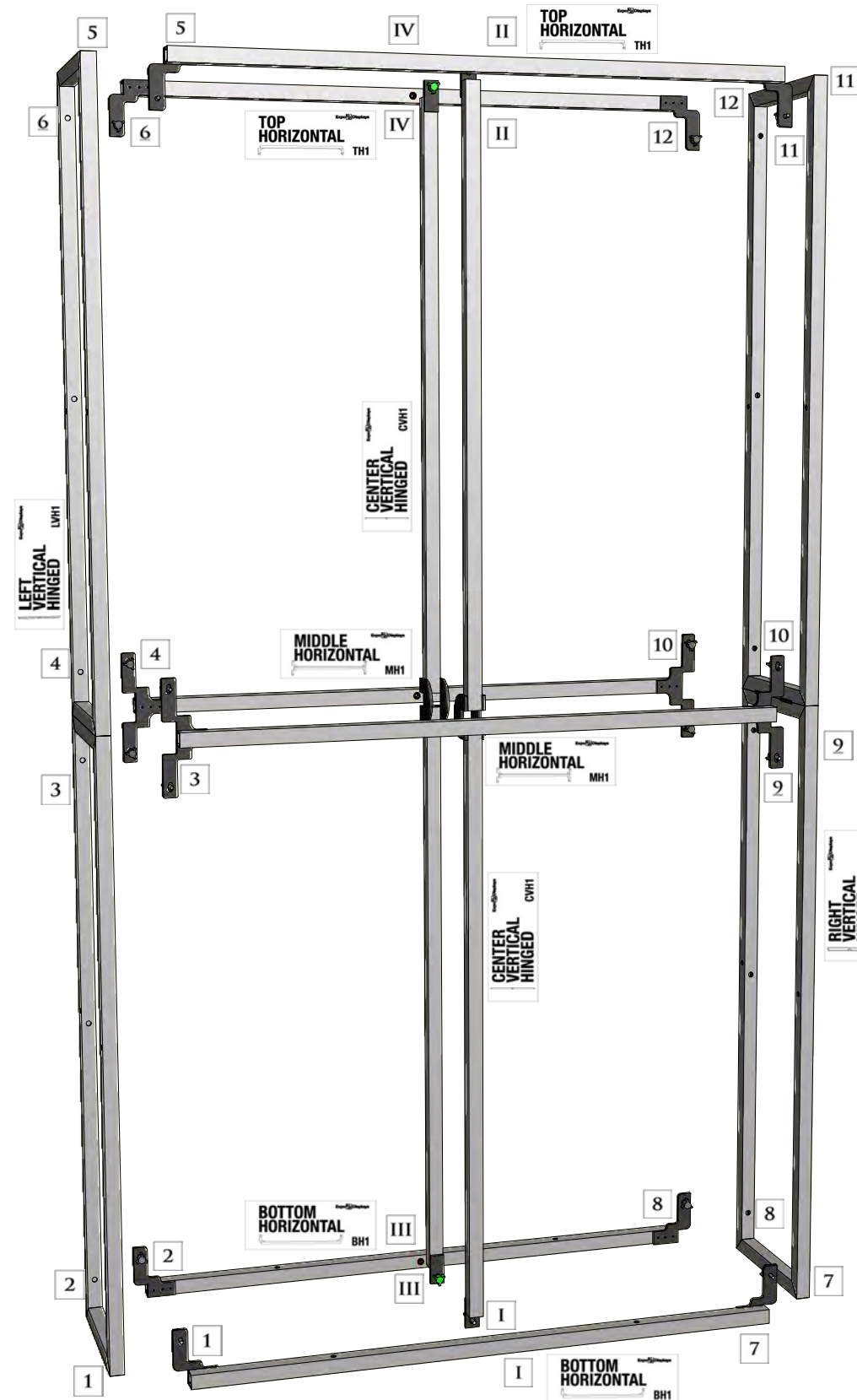


4th Step

ATTACH THE (2) CENTER VERTICAL HINGED (CVH1) AND STAND UP-RIGHT



MATCH NUMBERS TO CONSTRUCT



Expo Displays

3401 Mary Taylor Road
Birmingham, Alabama 35235
(205) 439-8200

Drawn By: AKHIII

THIS PART USED TO MAKE
MQ-F24
2x4 STANDARD FRAME

ASSEMBLY
INSTRUCTIONS
2x4 STANDARD FRAME
MQ-F24

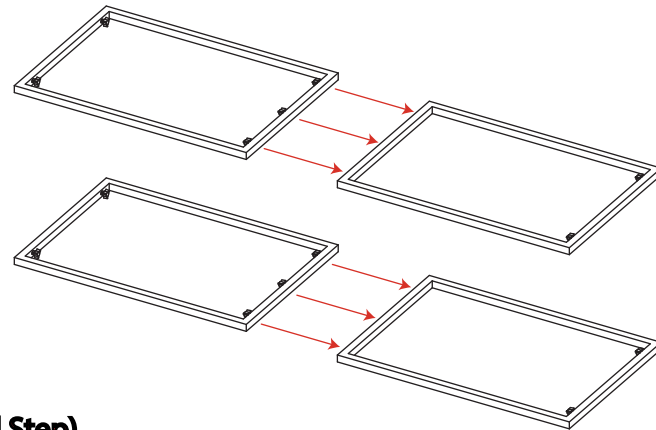
APPENDIX B

PARTS LIST:

#	LABEL	NAME
1	LVRX1	LEFT VERTICAL RECTANGLE
1	RVRX1	RIGHT VERTICAL RECTANGLE
1	BHRX2	BOTTOM HORIZONTAL RECT.
1	THRX2	TOP HORIZONTAL RECTANGLE
4	THR1	VERTICAL RECTANGLE
1	MH1	MIDDLE HORIZONTAL
24	RED	2" THUMB SCREWS
4	GREEN	1" THUMB SCREWS

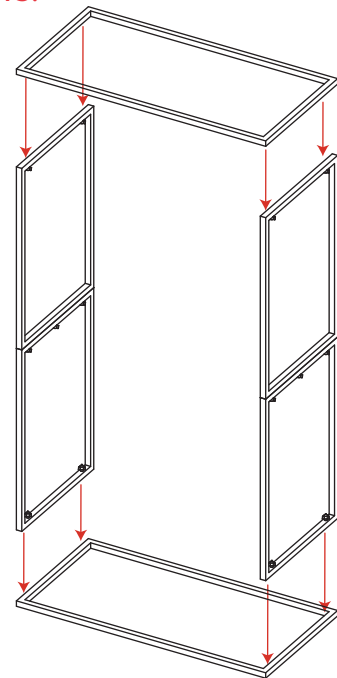
1st Step)

CONNECT THE TWO (2) THRX2 AND THE TWO (2) BHRX2 USING THE RED THUMB SCREWS.



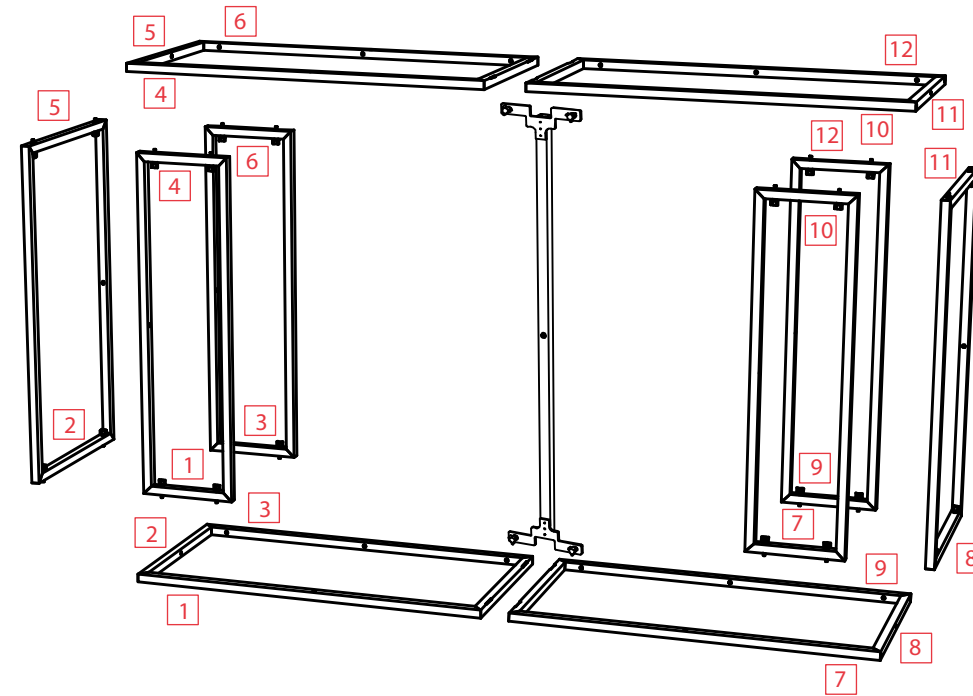
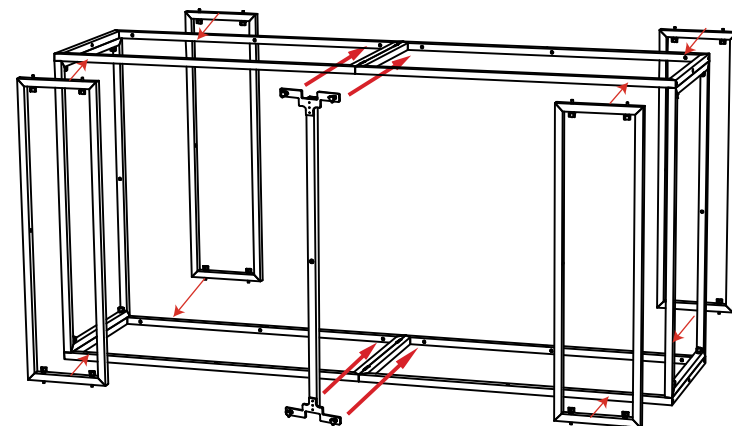
2nd Step)

PLACE THE LVRX1 ON THE GROUND AND CONNECT THE THRX2 AND BHRX2 FROM STEP 1 USING THE RED THUMB SCREWS.

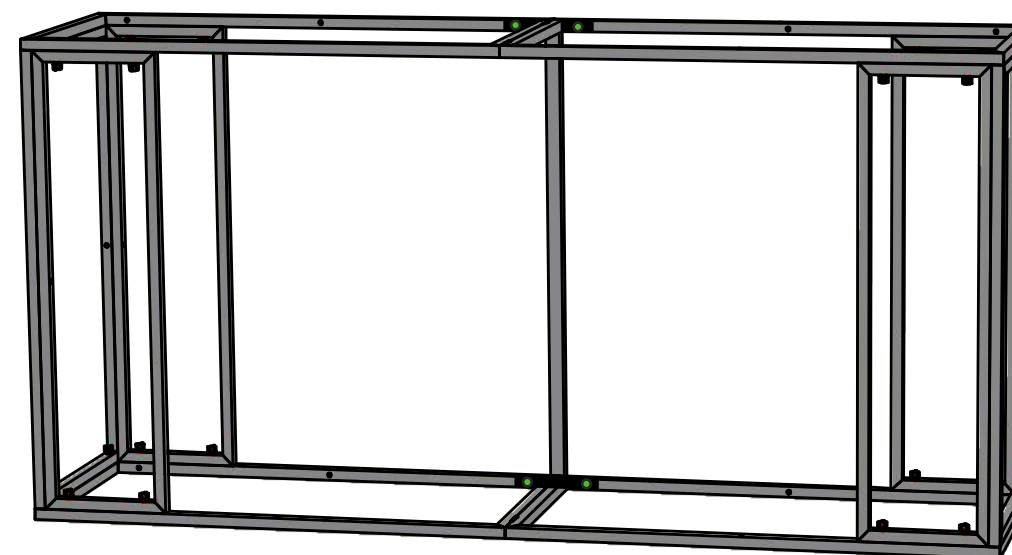


3rd Step)

ATTACH THE FOUR (4) THR1-BHR1 PIECES USING THE RED THUMB SCREWS.
ATTACH (1) CENTER MH1 PIECE
USING (4) GREEN THUMBSCREWS



*MATCH NUMBERS TO CONSTRUCT.



ASSEMBLED VIEW



Expo EX PO Displays
A Division of Diamond Displays International

3401 Mary Taylor Road
Birmingham, Alabama 35235
(205) 439-8200

Drawn By: SH



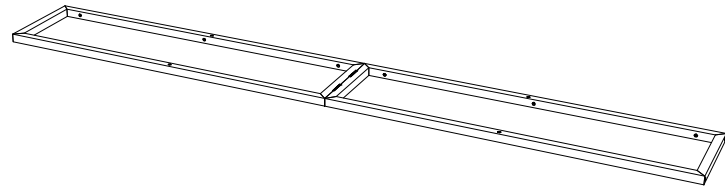
Sheet Title

**ASSEMBLY
INSTRUCTIONS**
4x2 MAX FRAME
MQX- F42

APPENDIX BB

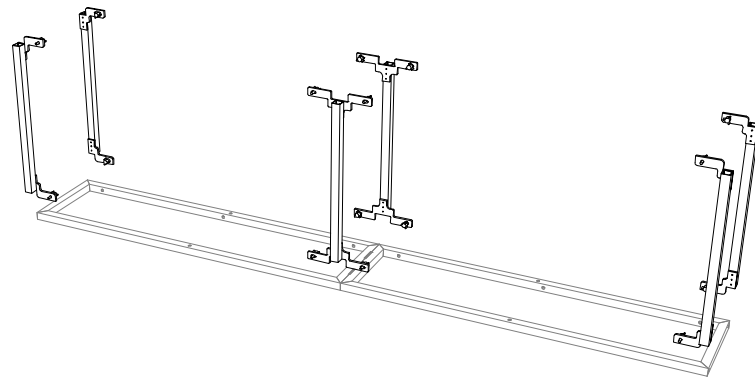
1st Step)

START WITH THE LEFT VERTICAL HINGED (LVH1) ON THE GROUND



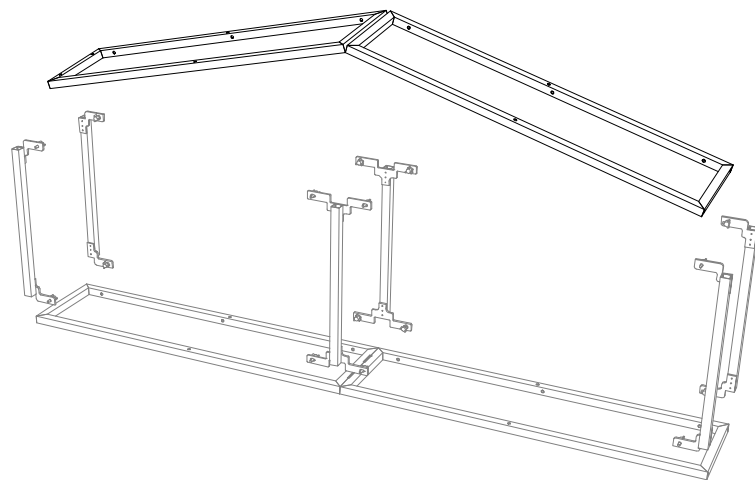
2nd Step)

ATTACH THE (2) TOP HORIZONTAL (TH2), THE (2) MIDDLE HORIZONTAL (MH2), AND THE (2) BOTTOM HORIZONTAL (BH2)



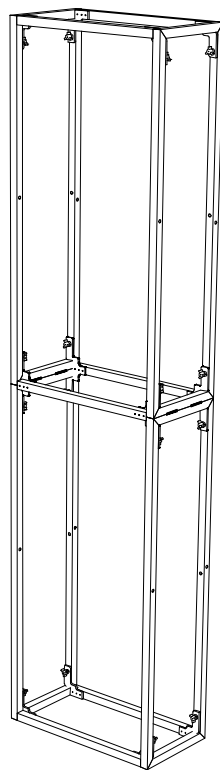
3rd Step)

ATTACH THE RIGHT HINGED SIDE (RVH1)



4th Step)

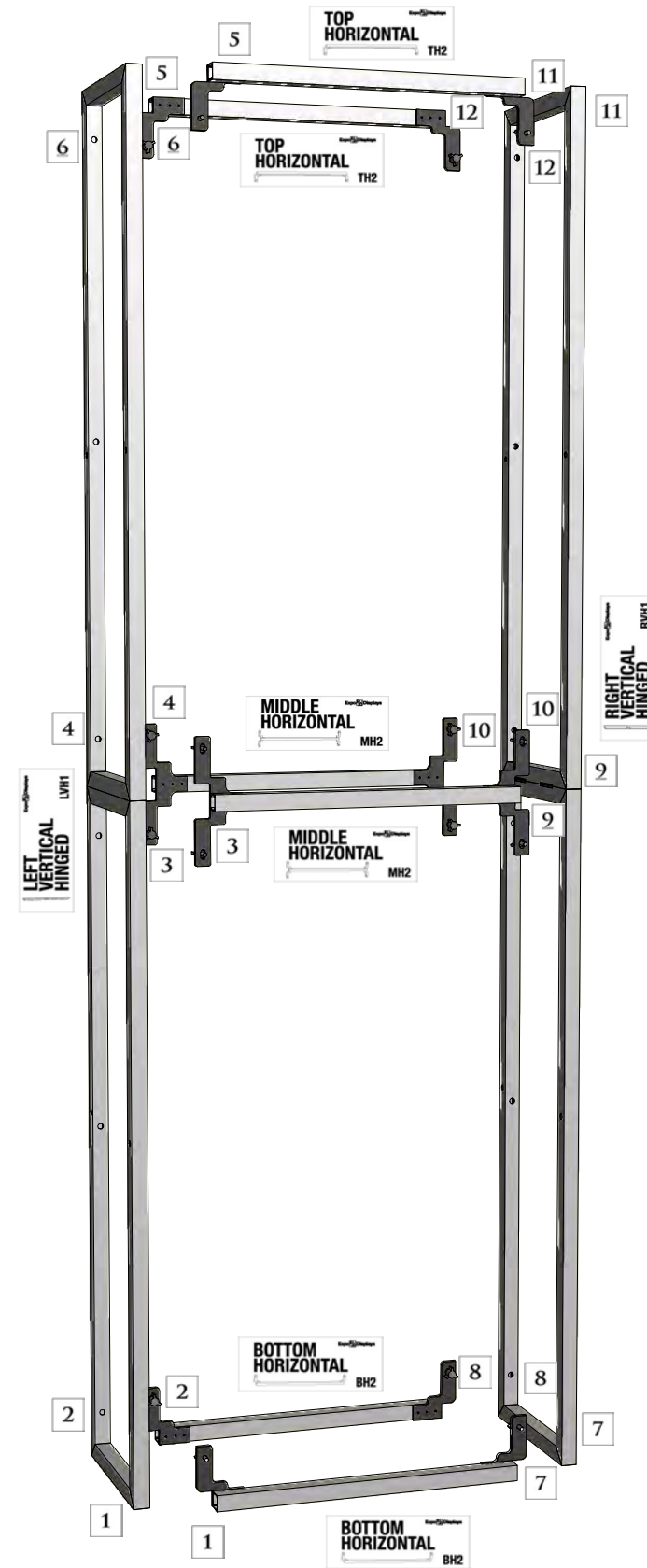
STAND UP-RIGHT



MATCH NUMBERS TO CONSTRUCT



PARTS LIST		
QNTY	LABEL	NAME
1	LVH1	LEFT VERTICAL HINGED
1	RVH1	RIGHT VERTICAL HINGED
2	BH2	BOTTOM HORIZONTAL
2	MH2	MIDDLE HORIZONTAL
2	TH2	TOP HORIZONTAL
1	GRN	1" GREEN THUMB SCREW
4	RED	2" RED THUMB SCREW



Expo Displays

3401 Mary Taylor Road
Birmingham, Alabama 35235
(205) 439-8200

Drawn By: AKHIII

THIS PART USED TO MAKE
MQ-F14
1x4 STANDARD FRAME

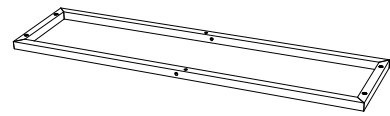
ASSEMBLY INSTRUCTIONS
1x4 STANDARD FRAME
MQ-F14

APPENDIX D

PARTS LIST		
QNTY	LABEL	NAME
1	LVR1	LEFT VERTICAL RECTANGLE
1	RVR1	RIGHT VERTICAL RECTANGLE
1	BHR1	BOTTOM HORIZONTAL RECT.
1	THR1	TOP HORIZONTAL RECT.
2	CVH2	CENTER VERTICAL HALF
2	GRN	1" GREEN THUMB SCREW
4	RED	2" RED THUMB SCREW
1	CT124	MQ-F22C COUNTERTOP

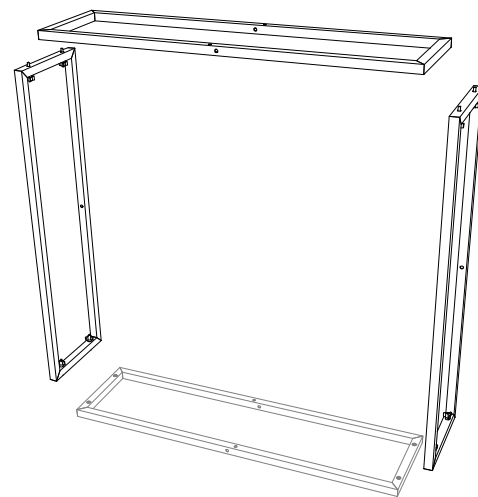
1st Step)

START WITH THE LEFT VERTICAL (LVR1) ON THE GROUND



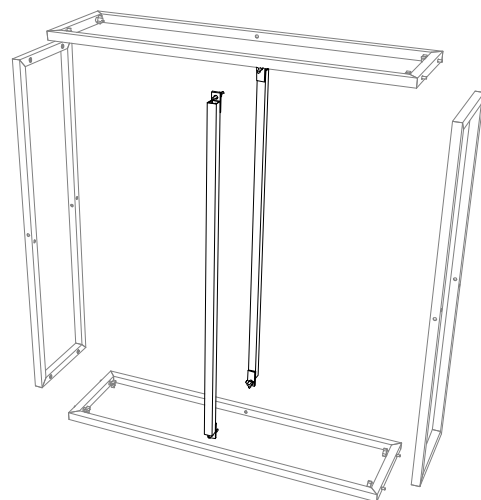
2nd Step)

ATTACH THE TOP HORIZONTAL (THR1), THE BOTTOM HORIZONTAL (BHR1), AND THE RIGHT VERTICAL (RVR1)



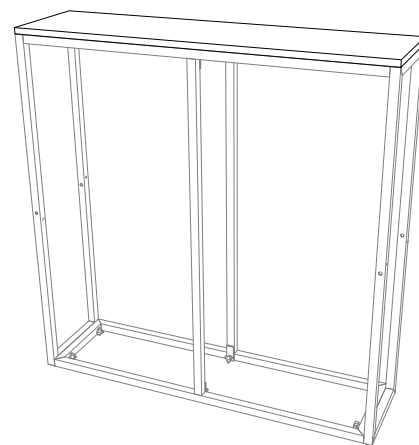
3rd Step)

ATTACH THE (2) CENTER VERTICAL (CVH2)

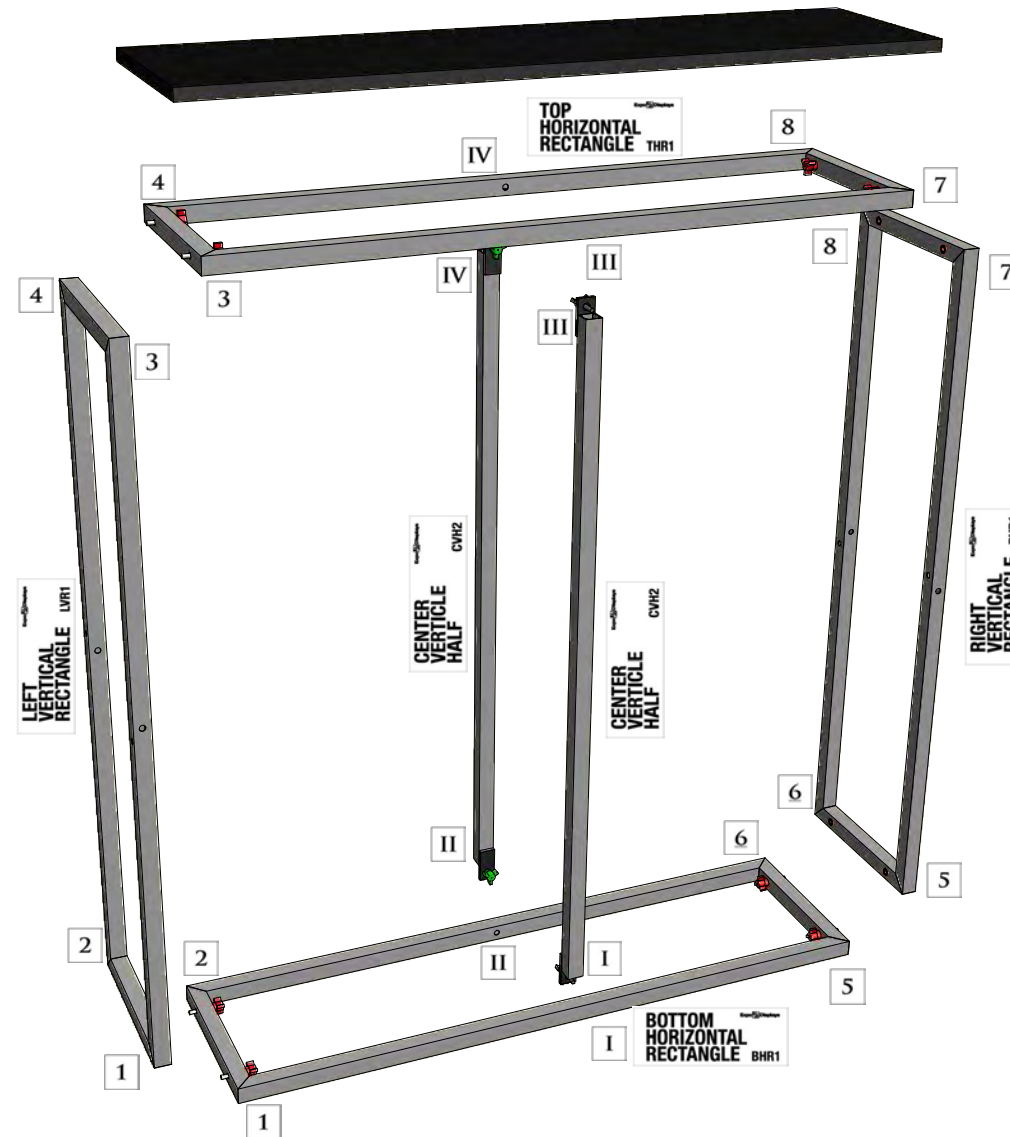


4th Step)

ATTACH THE COUNTERTOP



MATCH NUMBERS TO CONSTRUCT



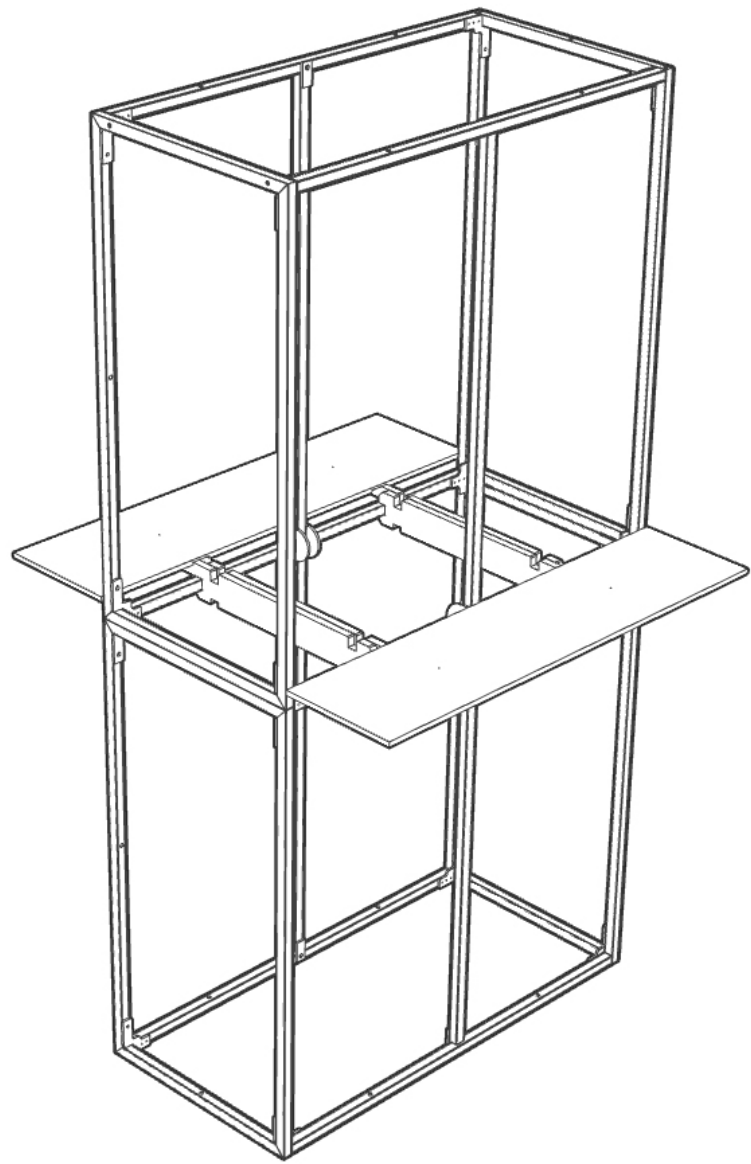
THIS PART USED TO MAKE
MQ-F22C
2x2 STANDARD COUNTER

ASSEMBLY
INSTRUCTIONS

2x2 STANDARD COUNTER
MQ-F22C

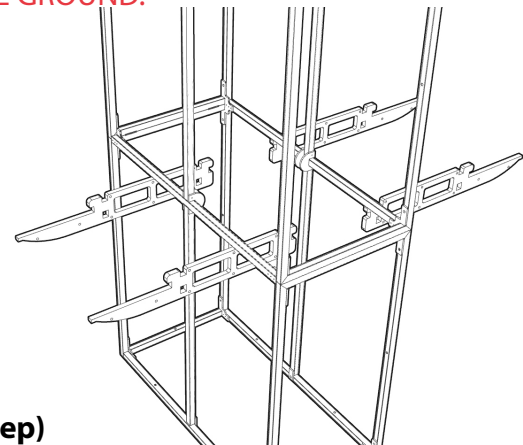
PARTS LIST:

#	LABEL	NAME
1	MQX-F24	2X4 MAX FRAME
2	MQX-SH46	46 INCH SHELF ASSEMBLY



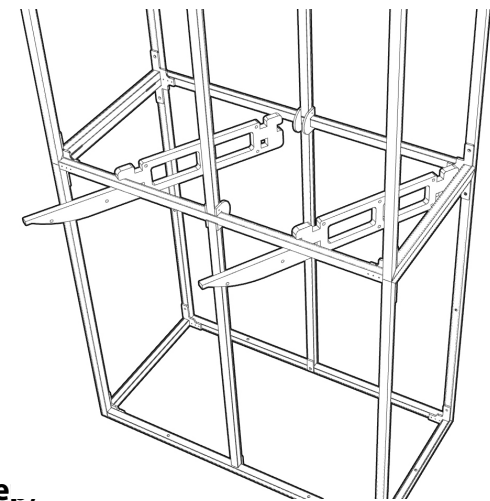
1st Step)

STARTING WITH AN ASSEMBLED 2X4 MAX FRAME (MQX-F24) ARRANGE (2 OR 4) SHELF ARMS (MQXP-SA46) TO THE MIDSECTION OF THE FRAME. ON THE GROUND.



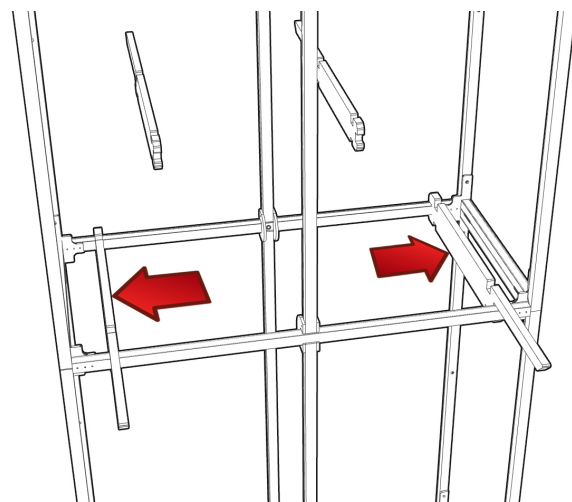
2nd Step)

PLACE THE MQ MEDIA SHELF ARMS (MQXP-SA46) ONTO THE FRAME CLAMPING DOWN ON THE FRONT AND BACK OF THE FRAME.



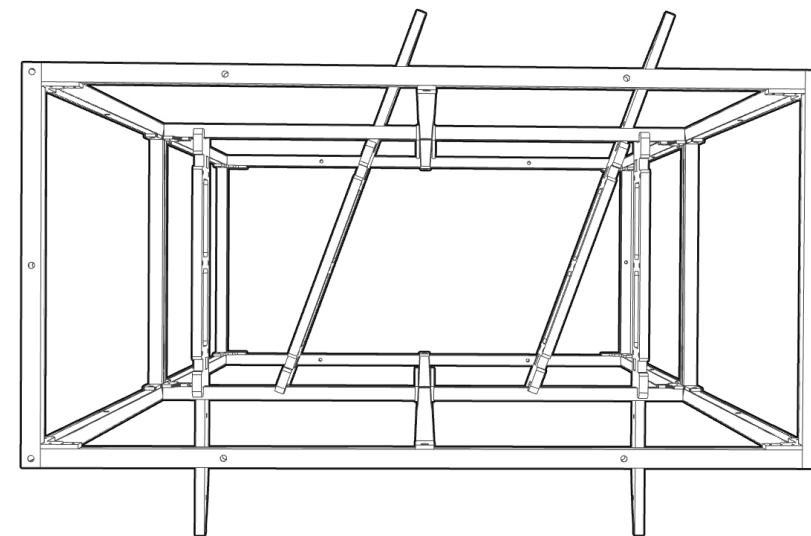
3rd Step)

IN ORDER TO MAKE ROOM FOR THE 2ND SET OF ARMS (MQXP-SA46) - PUSH THE EXISTING ARMS TO THE SIDES OF THE MQ FRAME (MQX-F24)



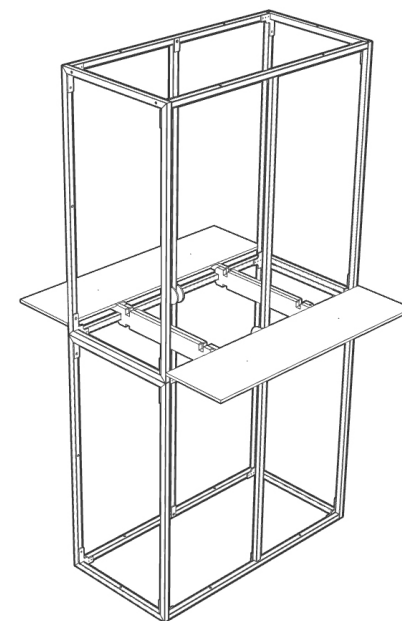
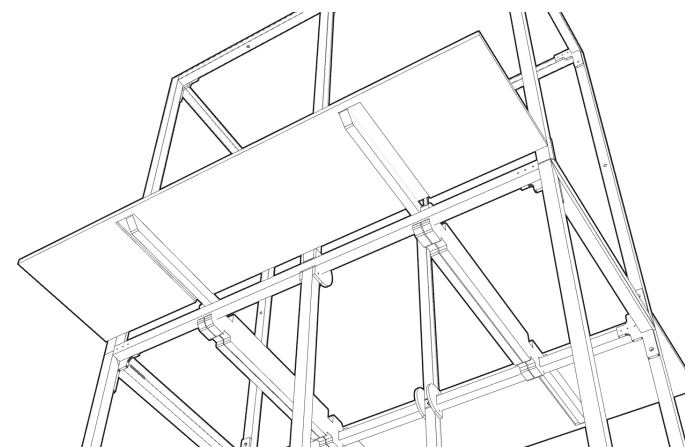
4th Step)

REPEAT THE PREVIOUS STEP SECURING THE ARMS TO THE FRAME.



5th Step)

ADD THE SHELF (MQP-SCT46) ONTO THE ARMS.



Expo EX PO Displays
A Division of Diamond Displays International

3401 Mary Taylor Road
Birmingham, Alabama 35235
(205) 439-8200

Drawn By: NRIMSAND

THIS PART USED TO MAKE
MQX-SH46
MQ-MAX SHELF 46"

Sheet Title

**ASSEMBLY
INSTRUCTIONS**

**MQX-SH46
MULTIQUAD SHELF 46IN**

PARTS LIST:

#	LABEL	NAME
1	MQ-LM4QD	MAX MEDIA MOUNT

1st Step)

THIS SET OF ASSEMBLY INSTRUCTIONS FOCUSES ON THE SINGLE - SIDED MOUNT (MQ-LM4QD). THE SAME PROCEDURES APPLY WHEN SETTING UP THE DOUBLE SIDED (MQ-LM4Q) AND THE DOUBLE SIDED CONVERSION KIT (MQ-LM4QC)



MQ-LM4Q
SINGLE SIDED
MEDIA MOUNT



MQ-LM4QC
DOUBLE SIDED
CONVERSION
KIT

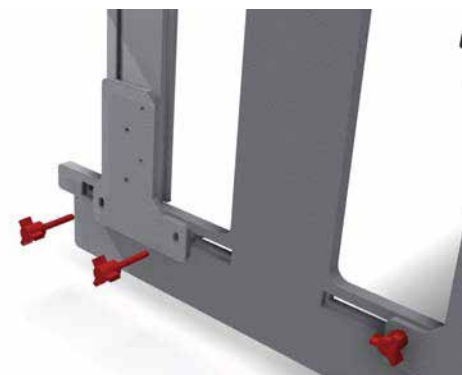


2nd Step)

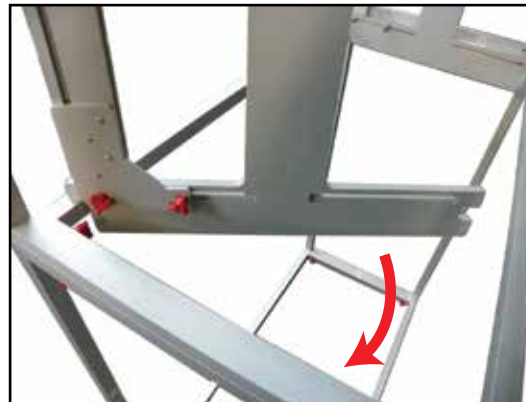
AN M10 HEX KEY WILL BE INCLUDED WITH THE MOUNT THAT WILL BE USED TO FASTEN THE EXTRUSIONS TOGETHER.



USE THE M10 HEX KEY TO TIGHTEN THE LOCKS THAT ATTACH THE VESA TV MOUNT TO THE ARMS.



ATTACH THE ASSEMBLED ARMS TO THE "I" SHAPED CENTER VERTICAL SUPPORT USING THE PROVIDED RED THUMBSCREWS AND WING NUTS.



4th Step)

LINE THE MONITOR'S CENTER WITHIN THE CENTER OF THE FRAME. THEN GENTLY HOOK THE UNIT'S BACK ONTO THE FRAME



THE "I" SHAPED CENTER HOOKS ON TO THE BACK OF THE MQXF24 FRAME.

NOTE: EXPODISPLAYS® WILL OFTEN ADD ARROWS ON THE EXTRUSIONS TO INDICATE THE IDEAL LOCATION OF THE MONITORS. SIMPLY CONNECT THE ARROWS.



5th Step)

CHECK TO MAKE SURE MONITOR BRACKET IS LEVEL USING BUBBLE INDICATOR ON FRONT



Expo Displays
A Division of Universal Display International

3401 Mary Taylor Road
Birmingham, Alabama 35235
(205) 439-8200

Drawn By: JW



Sheet Title

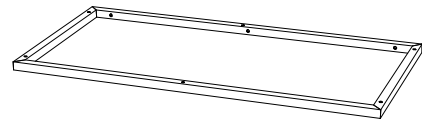
**ASSEMBLY
INSTRUCTIONS
SINGLE - SIDED
MAX MEDIA MOUNT**

APPENDIX J7

PARTS LIST		
QNTY	LABEL	NAME
1	LVRX1	LEFT VERTICAL RECTANGLE
1	RVRX1	RIGHT VERTICAL RECTANGLE
1	BHRX1	BOTTOM HORIZONTAL RECT.
1	THRX1	TOP HORIZONTAL RECT.
2	CVH2	CENTER VERTICAL HALF
4	GRN	1" GREEN THUMB SCREW
□	RED	2" RED THUMB SCREW
1	CT2□4□	COUNTERTOP FOR MQX-F22C

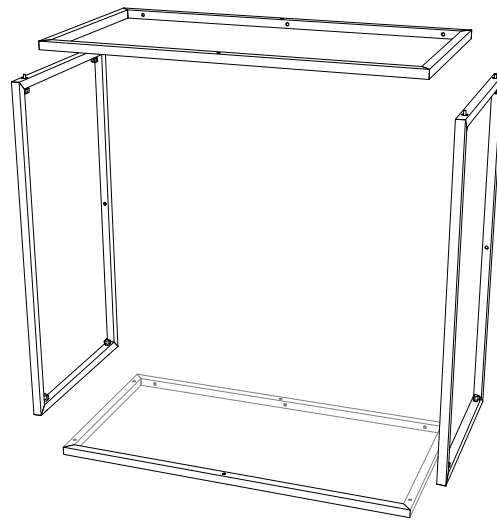
1st Step)

START WITH THE LEFT VERTICAL (LVRX1) ON THE GROUND



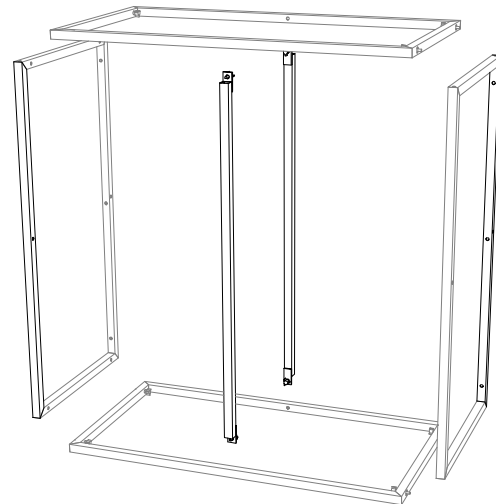
2nd Step)

ATTACH THE TOP HORIZONTAL (THRX1), THE BOTTOM HORIZONTAL (BHRX1), AND THE OTHER RIGHT VERTICAL (RVRX1)



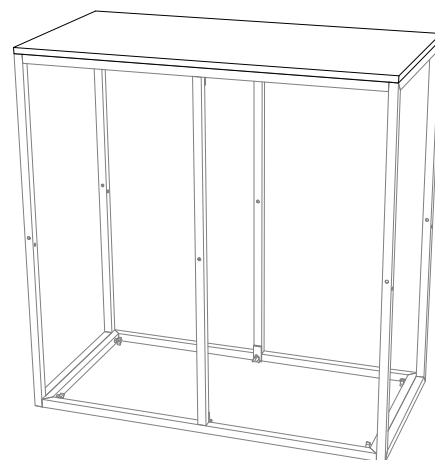
3rd Step)

ROTATE AND ATTACH THE (2) CENTER VERTICAL (CVH2)

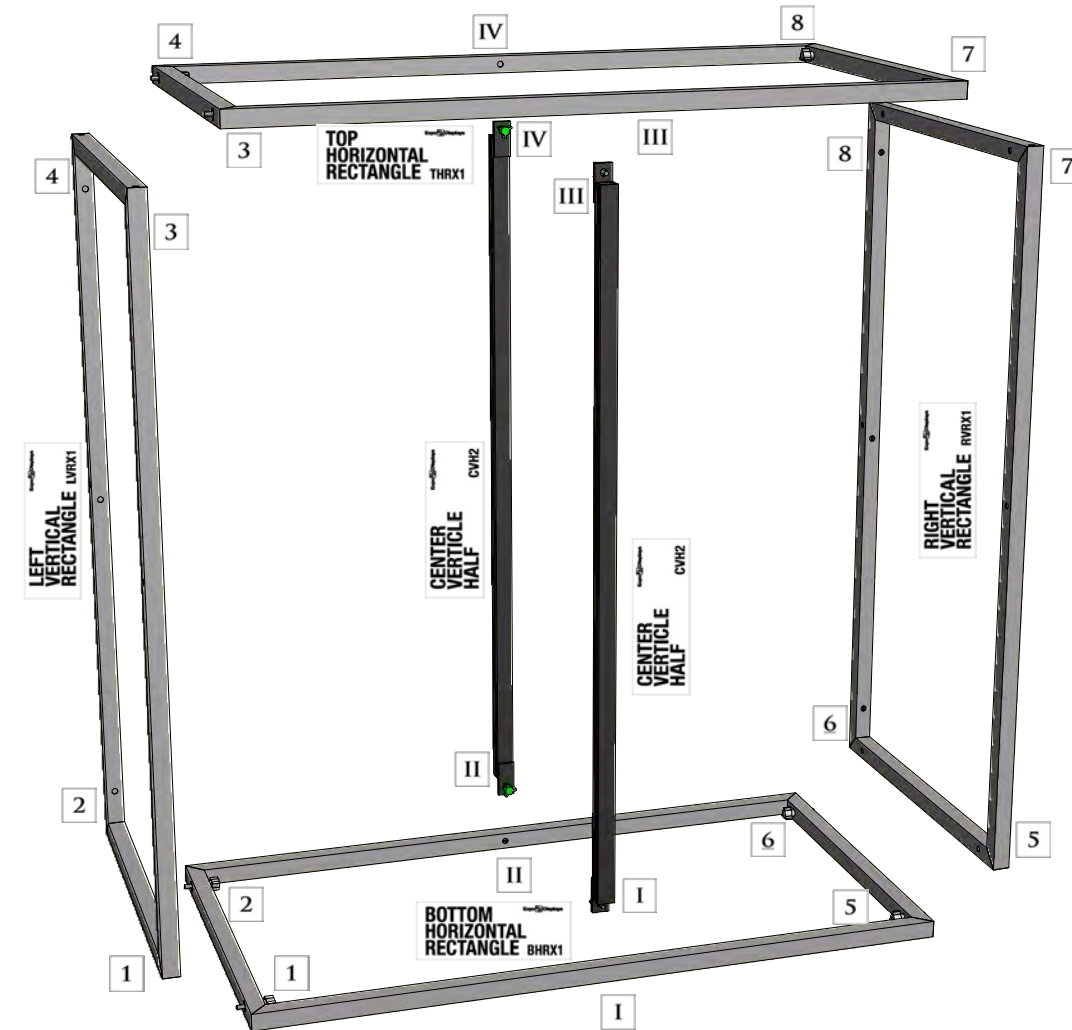


4th Step)

ATTACH THE COUNTERTOP IF NEEDED



MATCH NUMBERS TO CONSTRUCT



EXPO MultiQuad
An ExpoDisplays Product

EXPO

ExpoDisplays

3401 Mary Taylor Road
Birmingham, Alabama 35235
(205) 439-8200

Drawn By: AKHIII

THIS PART USED TO MAKE
MQX-F22
2x2 MAX FRAME



ASSEMBLY
INSTRUCTIONS

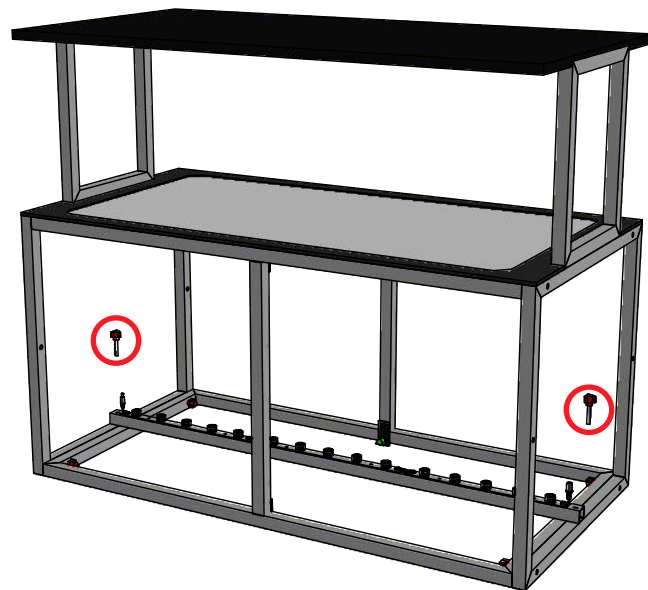
2x2 MAX FRAME
MQX-F22

APPENDIX L

PARTS LIST		
QNTY	LABEL	NAME
1	LVPX1	LEFT VERTICAL RECTANGLE
1	RVPX1	RIGHT VERTICAL RECTANGLE
1	BHRX1	BOTTOM HORIZONTAL RECT.
1	THRX1	TOP HORIZONTAL RECT.
2	CVH3	CENTER VERTICAL BAR
1	SSPODX3	SHELF
1	CTPODX2	PODIUM COUNTER TOP
10	RED	2" RED THUMB SCREW
4	GREEN	1" GREEN THUMB SCREW
1	ELB	46" EXPOLIGHT BAR

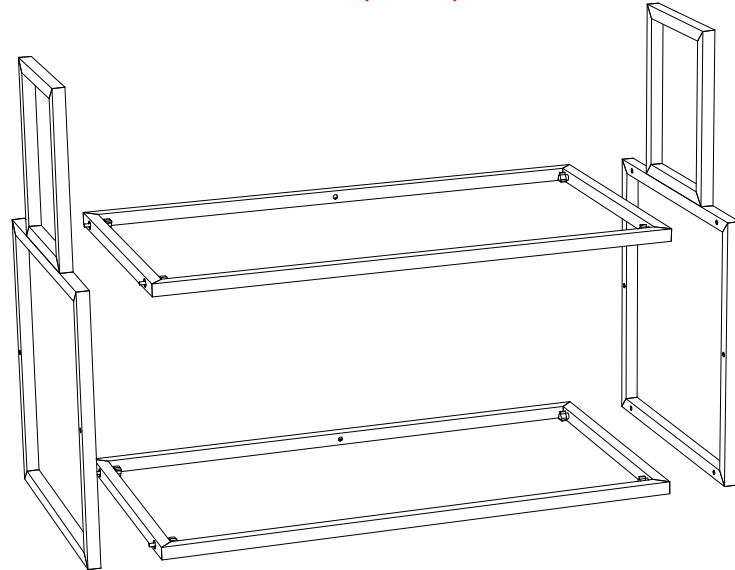
Uplight Shelf

USE UPLIGHT SHELF AND PLEXI FOR THIS APPLICATION. INSTALL (1) 46" EXPOLIGHT BAR WITH (2) RED THUMBSCREWS ON BOTTOM AS SHOWN. PLUG INTO POWER SOURCE.



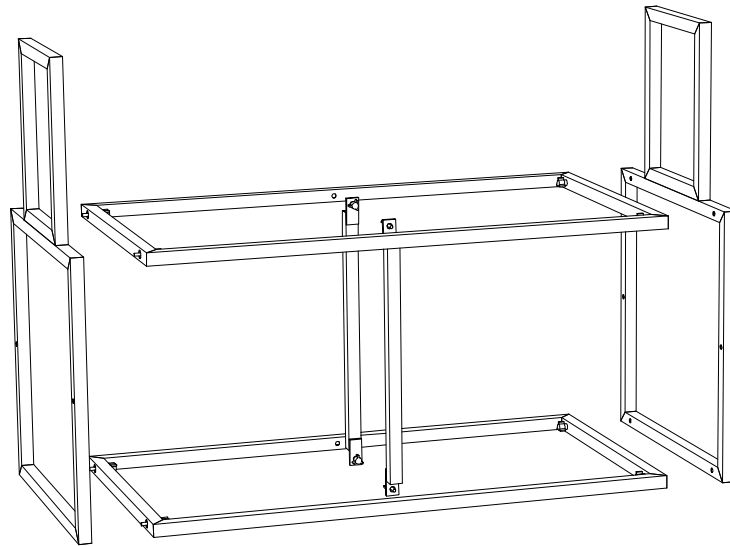
1st Step)

START WITH THE BOTTOM HORIZONTAL (BHRX1) ON THE GROUND. ATTACH THE LEFT VERTICAL (LVPX1), AND THE RIGHT VERTICAL (RVPX1). THEN ATTACH THE TOP HORIZONTAL (THRX1)

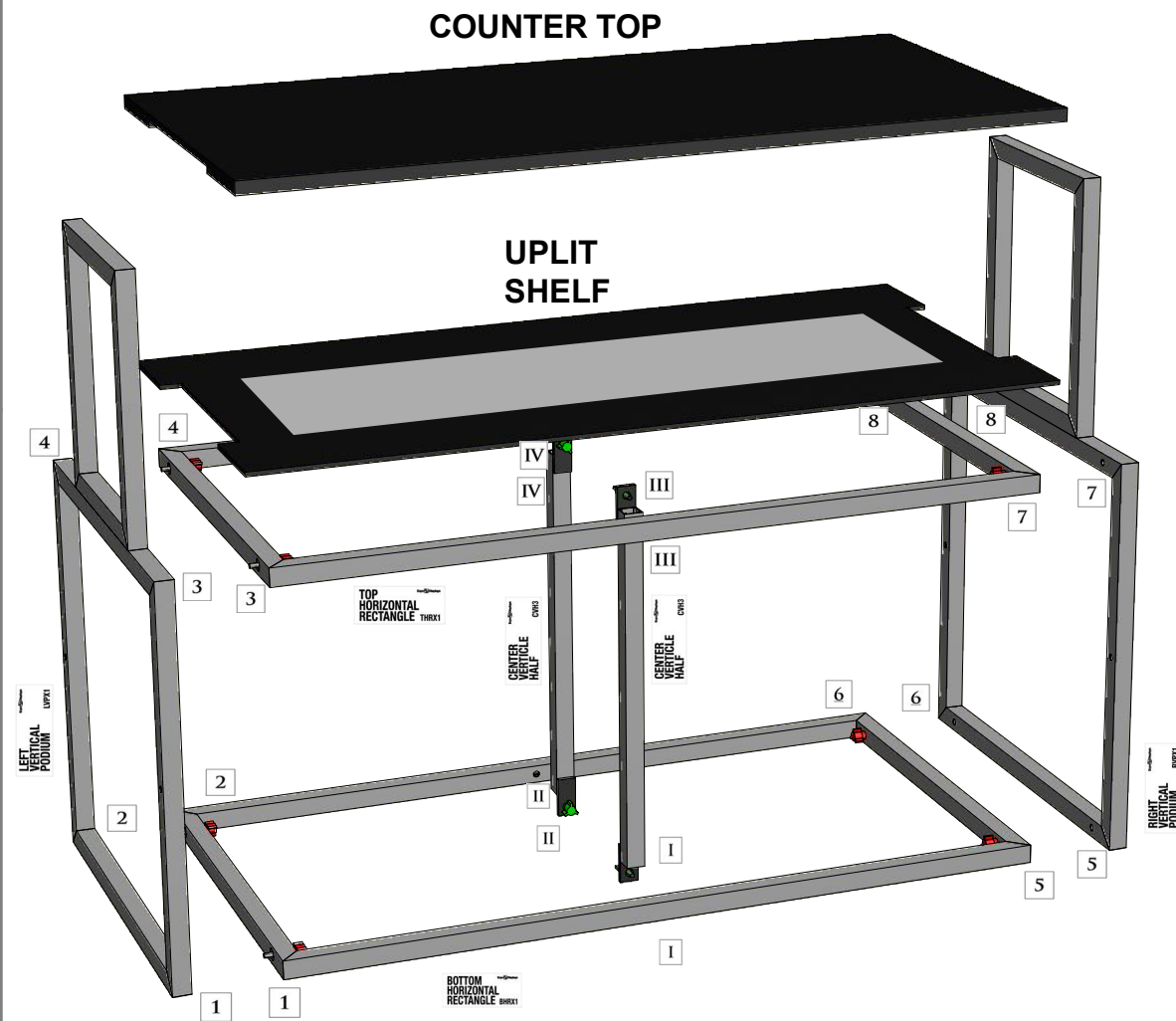


2nd Step)

CONNECT (2) CENTER VERTICAL BARS (CVH3) TO CENTERS OF THRX1 AND BHRX1 FRAMES. ATTACH THE PODIUM COUNTERTOP AND THE PODIUM SHELF



*MATCH NUMBERS TO CONSTRUCT



Expo Displays

3401 Mary Taylor Road
Birmingham, Alabama 35235
(205) 439-8200

Drawn By: JW

THIS PART USED TO MAKE
MQX-POD3
2x1 MAX PODIUM3

ASSEMBLY INSTRUCTIONS
2x1 MAX PODIUM 3
MQX-POD3

APPENDIX W3