

WHEN ASSEMBLING **EX PO MultiQuad**

REMEMBER YOUR **ABC**'s...

**A**SSEMBLE EACH COMPONENT SEPARATELY

**B**UILD THE DESIRED LAYOUT

**C**OVER YOUR MULTIQUAD LAYOUT WITH QUADS



Expo **EX PO** Displays  
A Division of Diamond Displays International

3401 Mary Taylor Road  
Birmingham, Alabama 35235  
(205) 439-8200

Job #: 71735

Date: 6.7.17

Project Title

10x10 MULTIQUAD®

Sheet Title

ASSEMBLY  
INSTRUCTIONS  
COVER SHEET

**EX PO MultiQuad**<sup>®</sup>  
An ExpoDisplays Product

10 x 10 Custom MultiQuad<sup>®</sup>



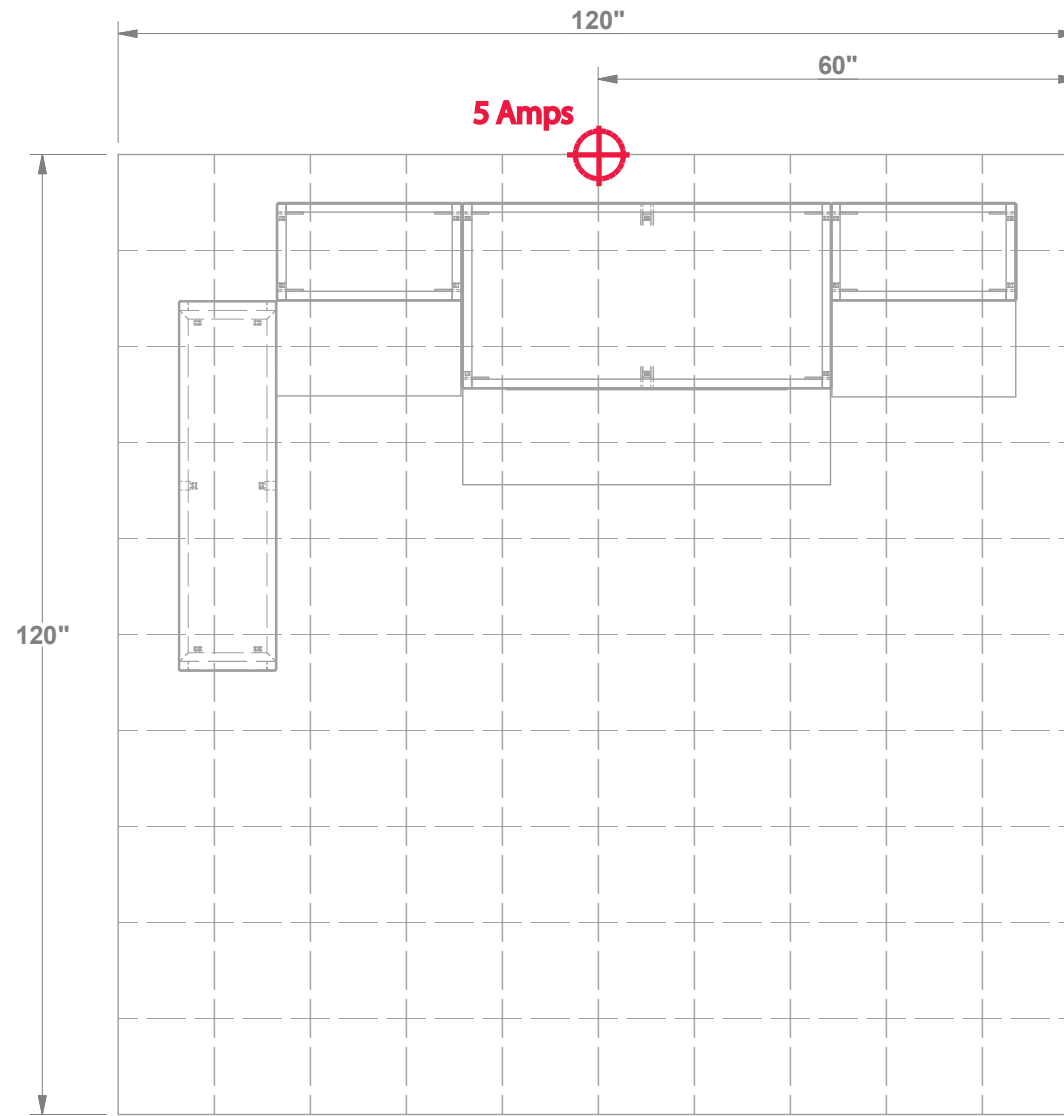
Project Title

**10x10 MULTIQAD®**

Sheet Title

**ASSEMBLY INSTRUCTIONS  
ELECTRICAL PLAN**

BOOTH # \_\_\_\_\_ ↗



**TOP VIEW**

BOOTH # \_\_\_\_\_ ↗

BOOTH # \_\_\_\_\_ ↘

BOOTH # \_\_\_\_\_ ↘

FRONT OF DISPLAY

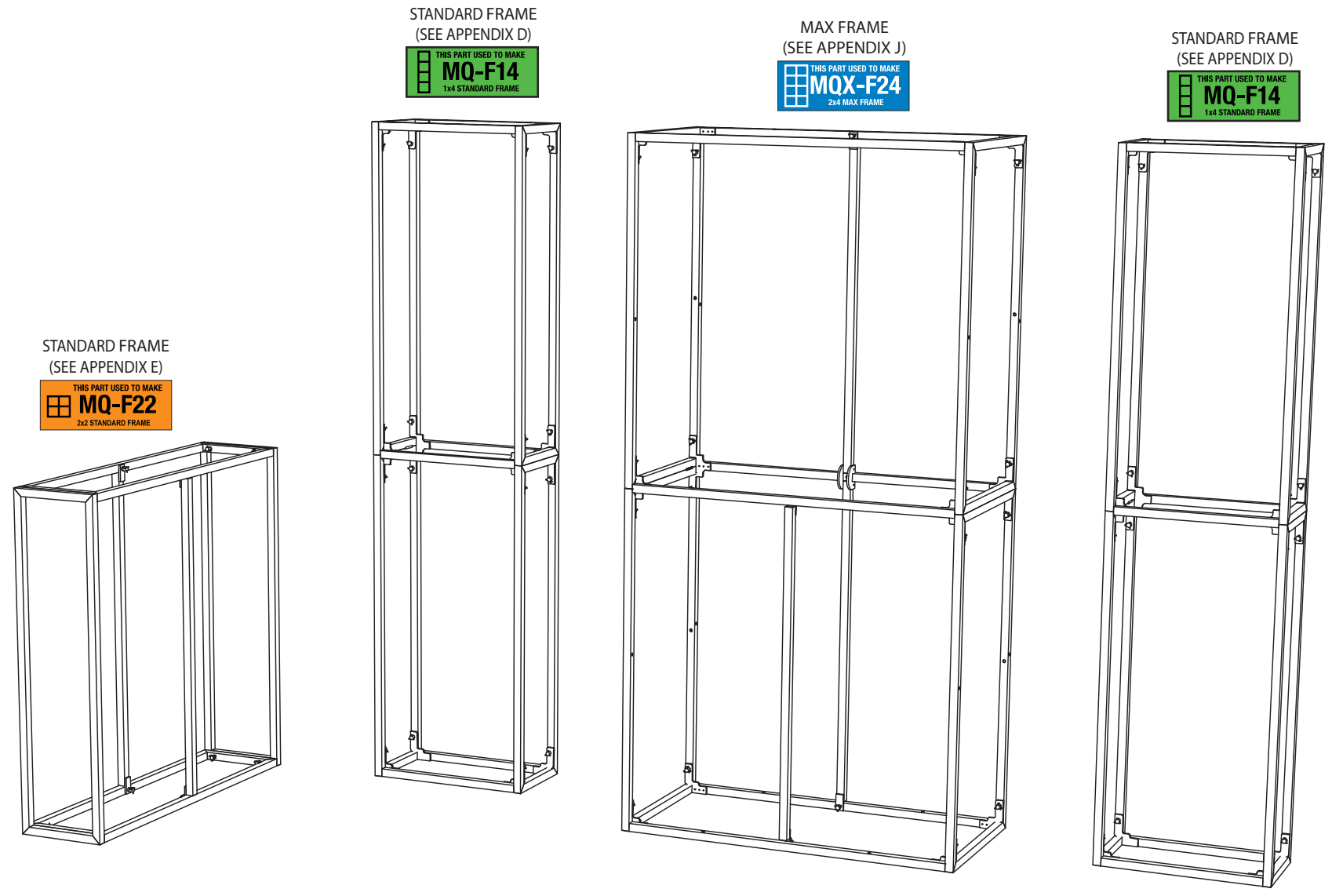
1 Square = 1'- 0"

SHOW: \_\_\_\_\_

BOOTH: \_\_\_\_\_

	MAIN ELECTRICAL DROP
	ELECTRICAL OUTLET
	POWER CORDS RUN UNDER CARPET

# ASSEMBLE ALL LISTED FRAMES SEPARATELY USING APPENDIX PAGES



**Expo EX PO Displays**  
A Division of Diamond Displays International

3401 Mary Taylor Road  
Birmingham, Alabama 35235  
(205) 439-8200

Job #: 71735

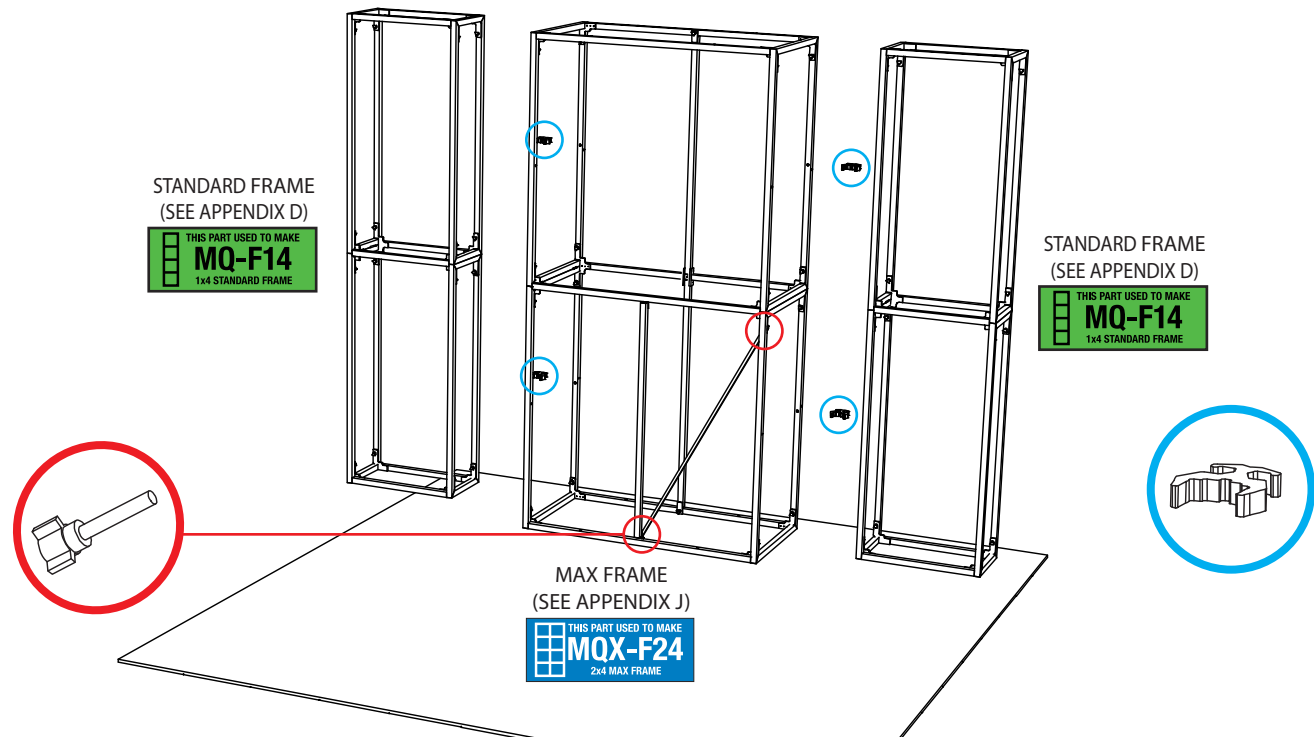
Project Title

10x10 MULTIQUAD®

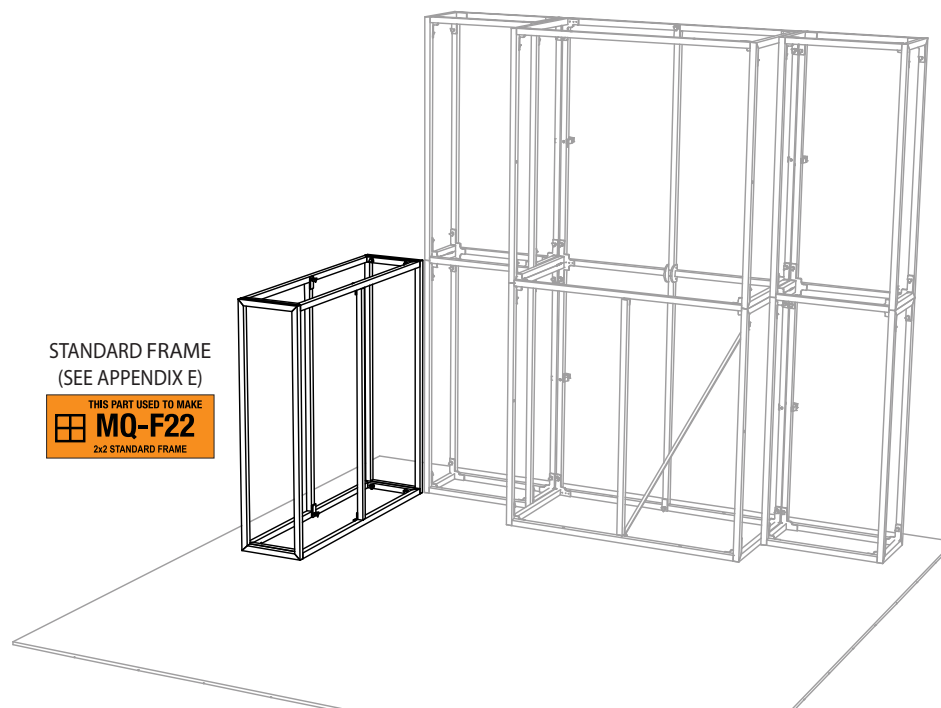
Sheet Title

ASSEMBLY  
INSTRUCTIONS  
EXPLODED LAYOUT

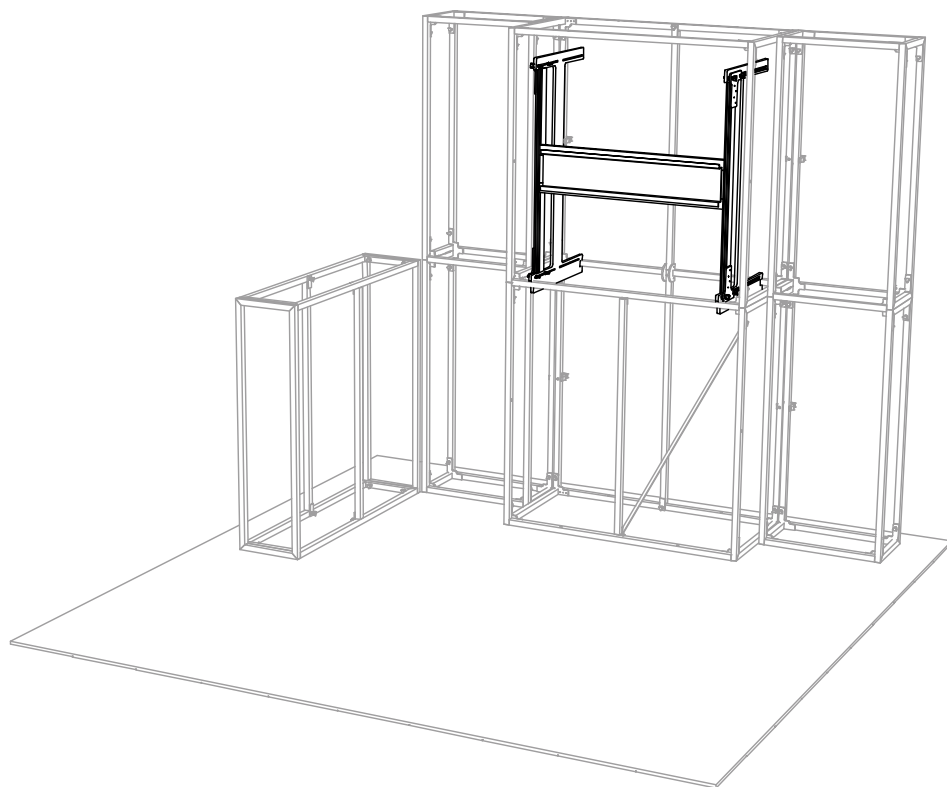
**JOIN LISTED FRAMES SIDE-BY-SIDE  
WITH ( 4 ) PRESSURE CLAMPS AS SHOWN  
ADD SUPPORT DIAGONAL IN BOTTOM PART OF FRAME  
WITH ( 2 ) RED THUMBSCREWS**



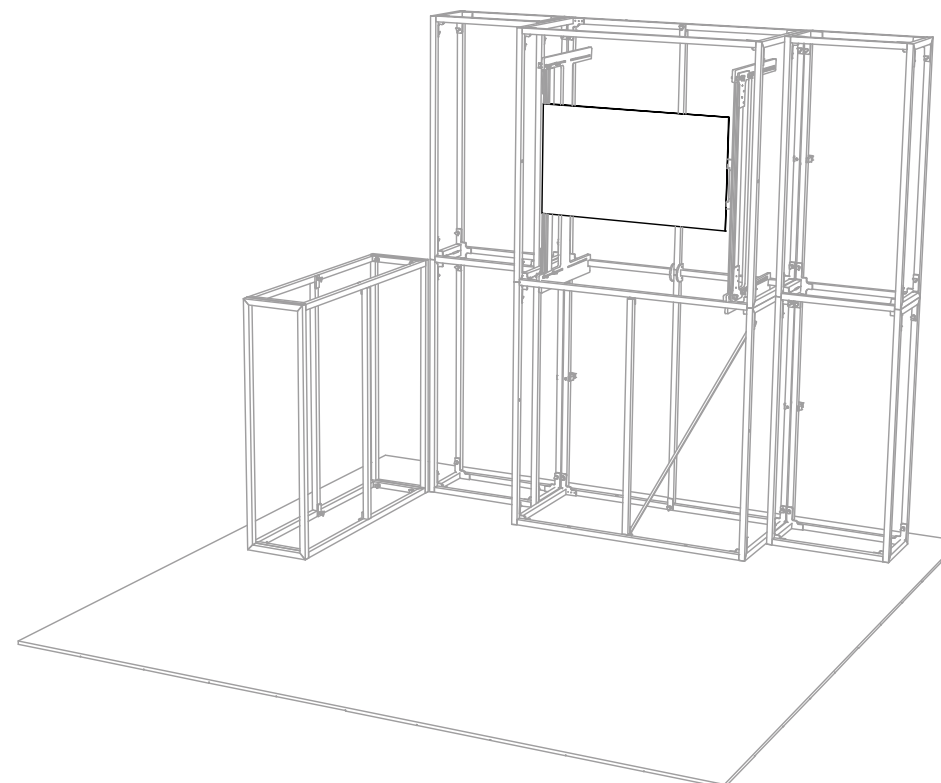
**PLACE LISTED FRAME ON SIDE  
AS SHOWN**

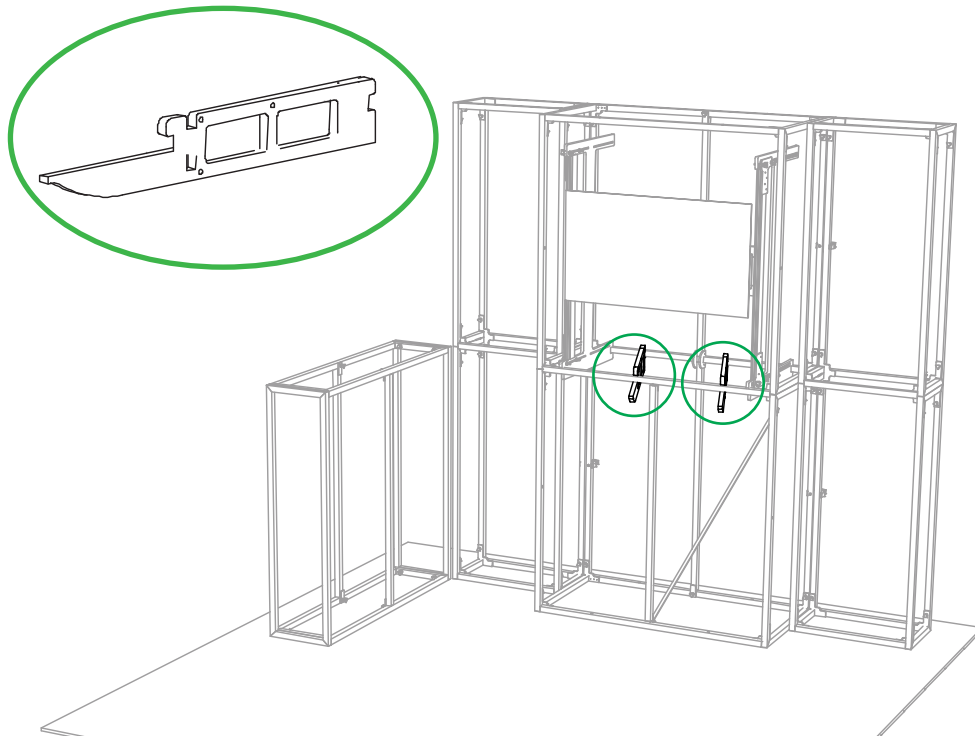


**ASSEMBLE MEDIA MOUNT AND  
INSTALL INSIDE TOP PART OF MAX 2 X 4**

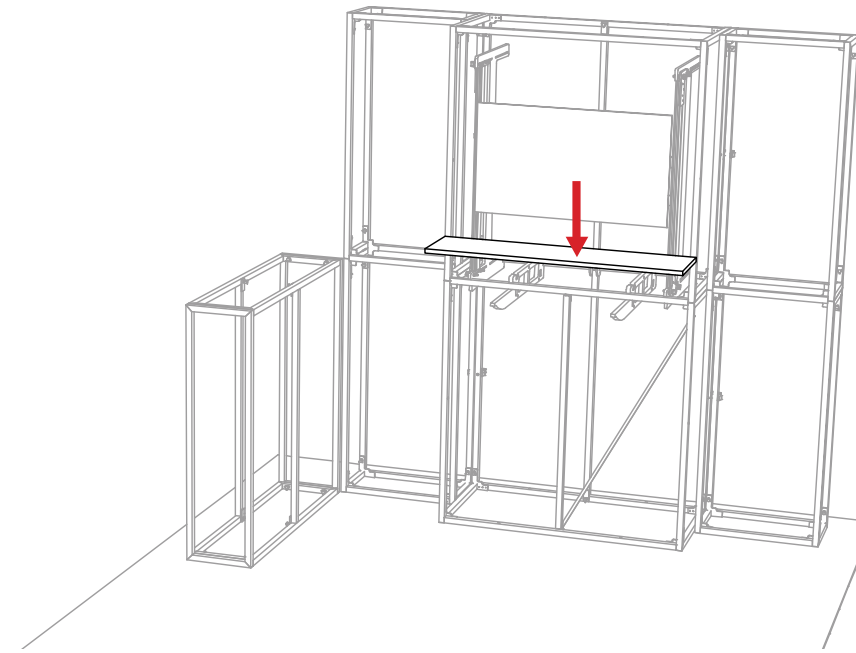


**HANG TV ON MEDIA MOUNT  
WITH PRE-INSTALLED HARDWARE**

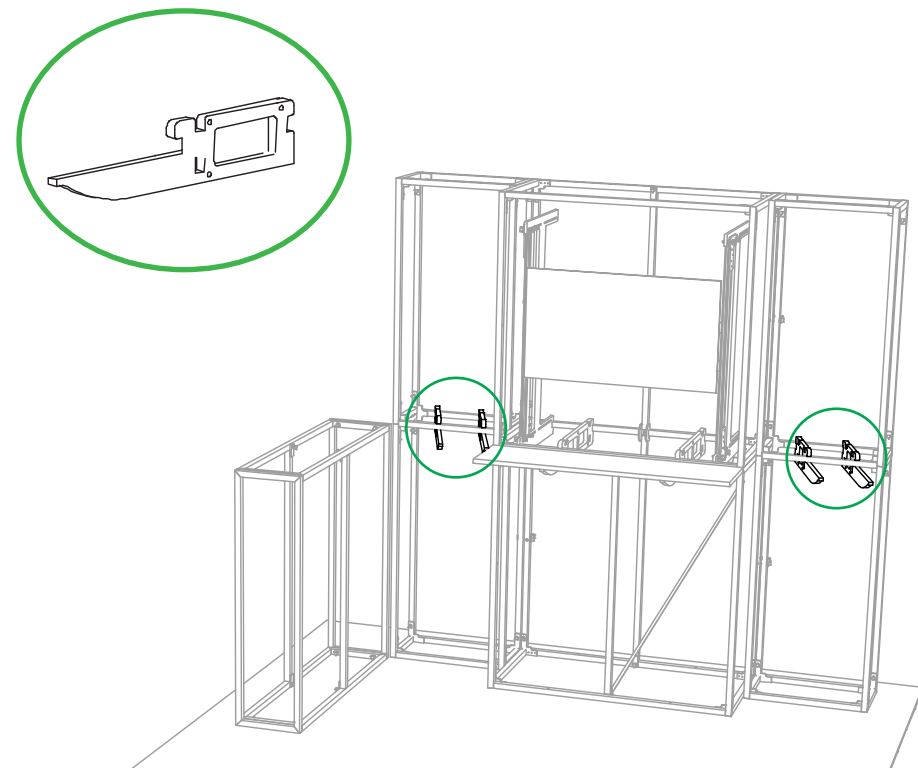




\* INSERT ( 2 ) SHELF BRACKETS DIAGONALLY AND STRAIGHTEN PARALLEL WITH BARS TO LOCK IN PLACE ( SEE APPENDIX J-2 FOR ADDITIONAL DETAILS )

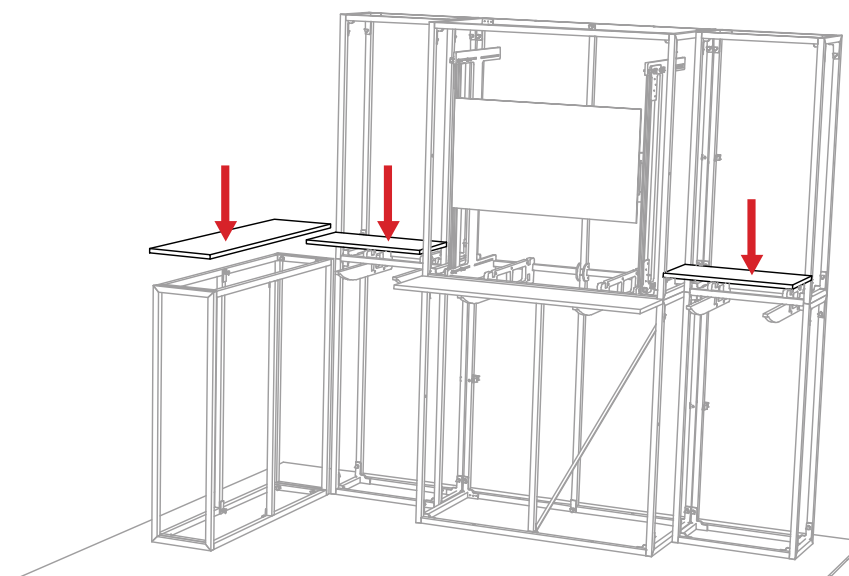


\* 12 X 46 SHELF ATTACHES TO INSTALLED BRACKETS WITH VELCRO ( SEE APPENDIX J-2 FOR ADDITIONAL DETAILS )

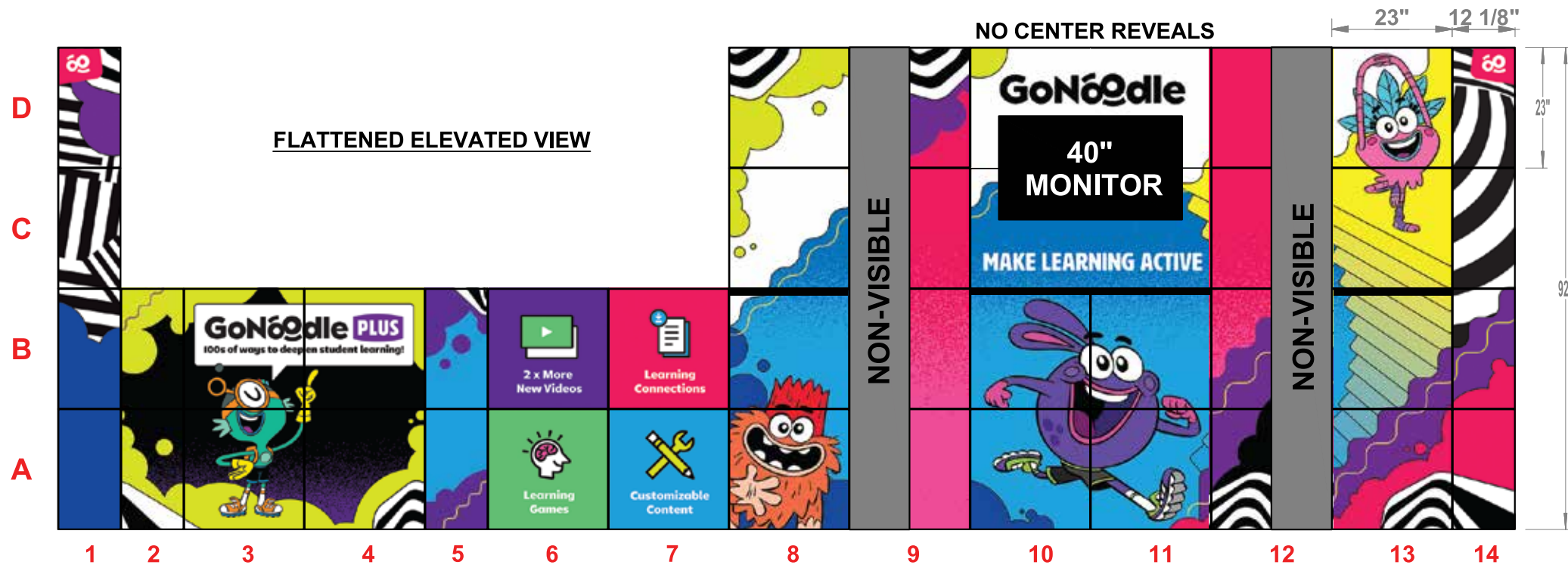


\* INSERT ( 4 ) SHELF BRACKETS DIAGONALLY AND STRAIGHTEN PARALLEL WITH BARS TO LOCK IN PLACE ( SEE APPENDIX J-2 FOR ADDITIONAL DETAILS )

\* PLACE ( 1 ) 12 X 46 SHELF ON TOP OF RETURN COUNTER AS SHOWN



\* ( 2 ) 12 X 23 SHELVES ATTACH TO INSTALLED BRACKETS WITH VELCRO ( SEE APPENDIX J-2 FOR ADDITIONAL DETAILS )



**Expo EXPO Displays**  
A Division of Diamond Displays International

3401 Mary Taylor Road  
Birmingham, Alabama 35235  
(205) 439-8200

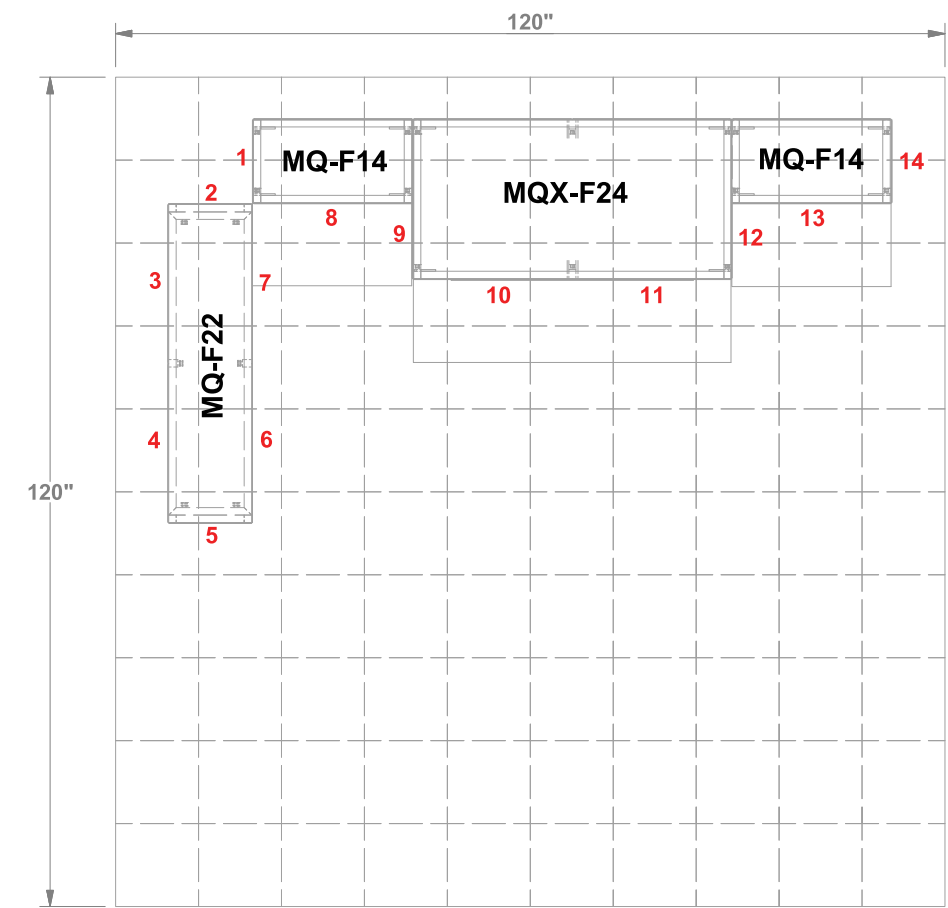
Job #: 71735

Project Title

10x10 MULTIQUAD®

Sheet Title

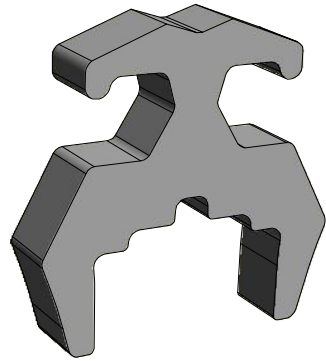
**ASSEMBLY INSTRUCTIONS**  
**GRAPHIC LAYOUT**



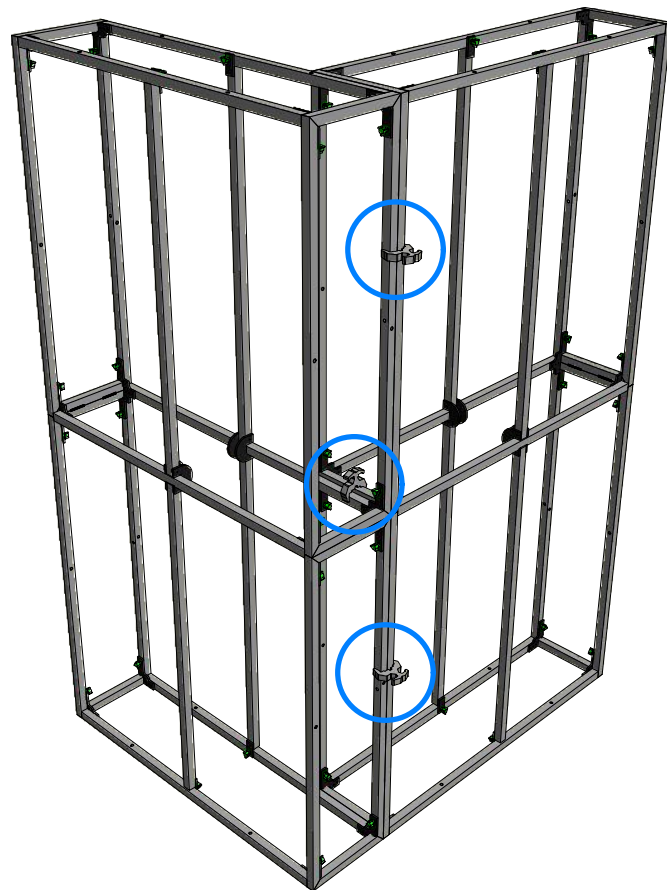
TOP VIEW

**FRAME CLAMP INSTRUCTION  
MQ-CLMP**

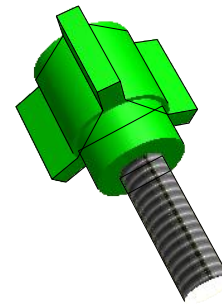
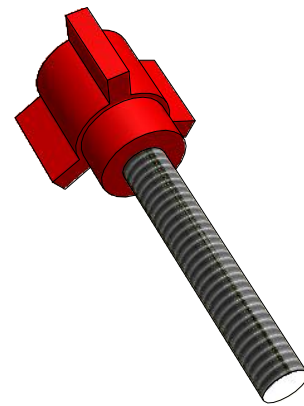
**(NOT REQUIRED IN EVERY CONFIGURATION)**



THE MQ-CLMP IS A FRICTION-FIT CONNECTOR / ALIGNMENT TOOL THAT DOES NOT REQUIRE TOOLS. THEY ARE TO BE USED IN ABNORMAL MULTIQUAD FRAME CONFIGURATIONS OR AS ADDITIONAL FRAME SECURITY IN SPECIAL SITUATIONS



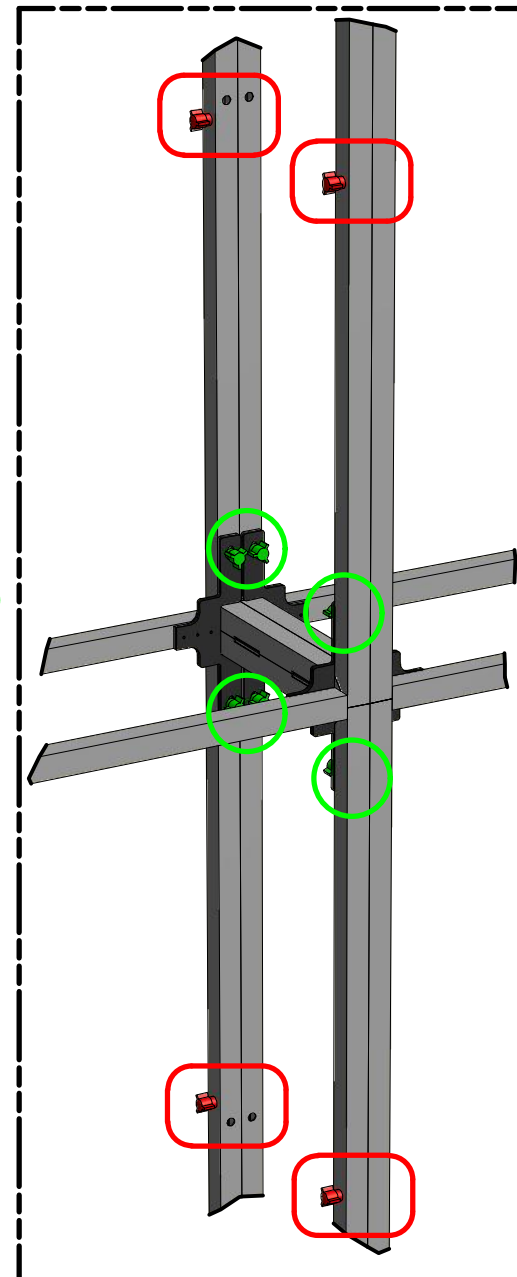
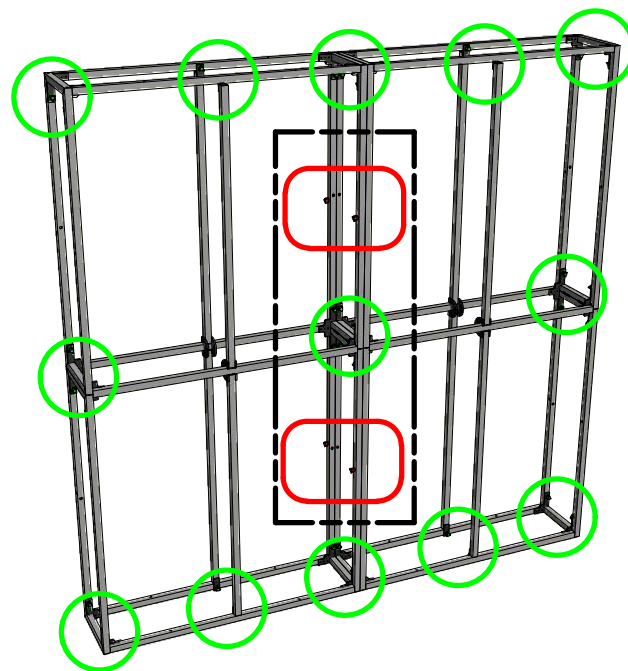
**THUMB SCREW INSTRUCTION  
MQ-TSR2 / MQ-TSG1**



THE 2" RED THUMB SCREW IS USED TO CONNECT MULTIQUAD FRAMES TO OTHER MULTIQUAD FRAMES. EACH FRAME HAS RIVET NUT ON ONE SIDE AND A HOLE ON THE OTHER TO ALLOW FRAME TO FRAME CONNECTION

THE 1" GREEN THUMB SCREWS ARE USED WHEN ASSEMBLING 1x4 AND 2x4 FRAMES. SEE APPENDIX PAGES

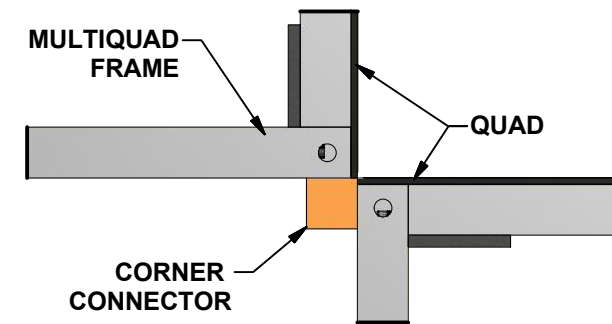
**DUE TO THE RIVET NUTS, ALL FRAMES HAVE A LEFT AND RIGHT SIDE. VERIFY FRAME ORIENTATION TO ALLOW FRAME TO FRAME CONNECTION**



**CORNER CONNECTOR INSTRUCTION  
MQ-BTW**

**(NOT REQUIRED IN EVERY CONFIGURATION)**

THE MQ-BTW CORNER ALIGNMENT TOOL IS DESIGNED TO AID IN THE ALIGNMENT OF FRAMES AS NEEDED IN SOME MULTIQUAD CONFIGURATIONS.



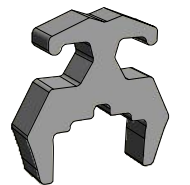
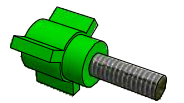
AFTER TWO MULTIQUAD FRAMES ARE SET "CORNER-TO-CORNER" THE MQ-BTW SIMPLY ATTACHES TO THE EXISTING MAGNETS ON THE FRAME



**Expo Displays**

3401 Mary Taylor Road  
Birmingham, Alabama 35235  
(205) 439-8200

Drawn By: AKHIII



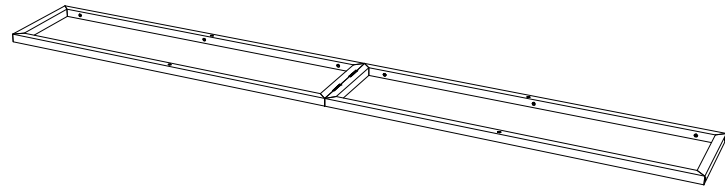
**ASSEMBLY  
INSTRUCTIONS**

CONNECTORS & ALIGNMENT TOOLS

**APPENDIX A**

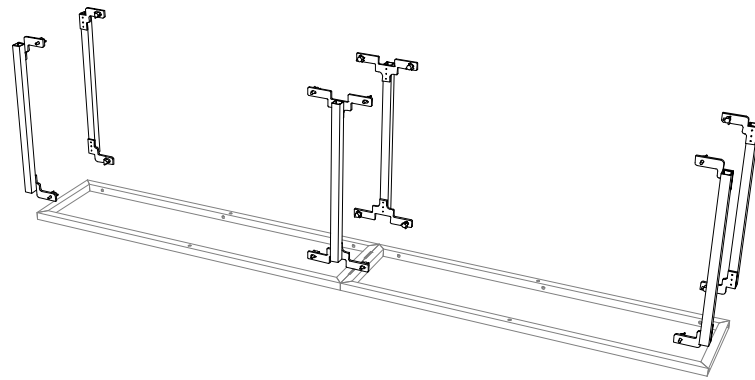
1st Step)

START WITH THE LEFT VERTICAL HINGED (LVH1) ON THE GROUND



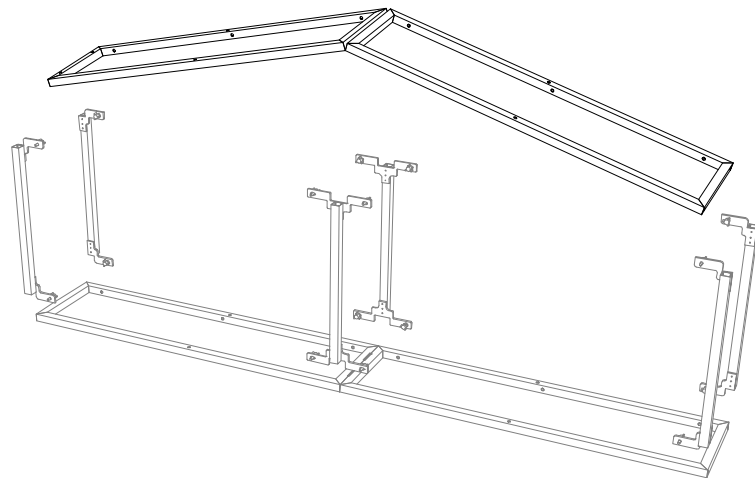
2nd Step)

ATTACH THE (2) TOP HORIZONTAL (TH2), THE (2) MIDDLE HORIZONTAL (MH2), AND THE (2) BOTTOM HORIZONTAL (BH2)



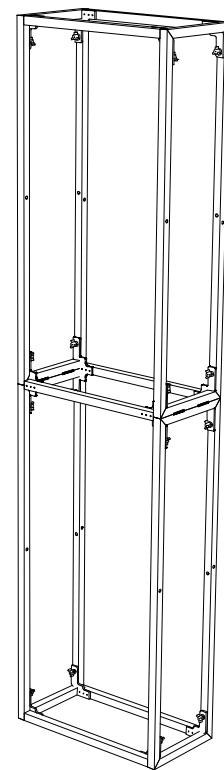
3rd Step)

ATTACH THE RIGHT HINGED SIDE (RVH1)



4th Step)

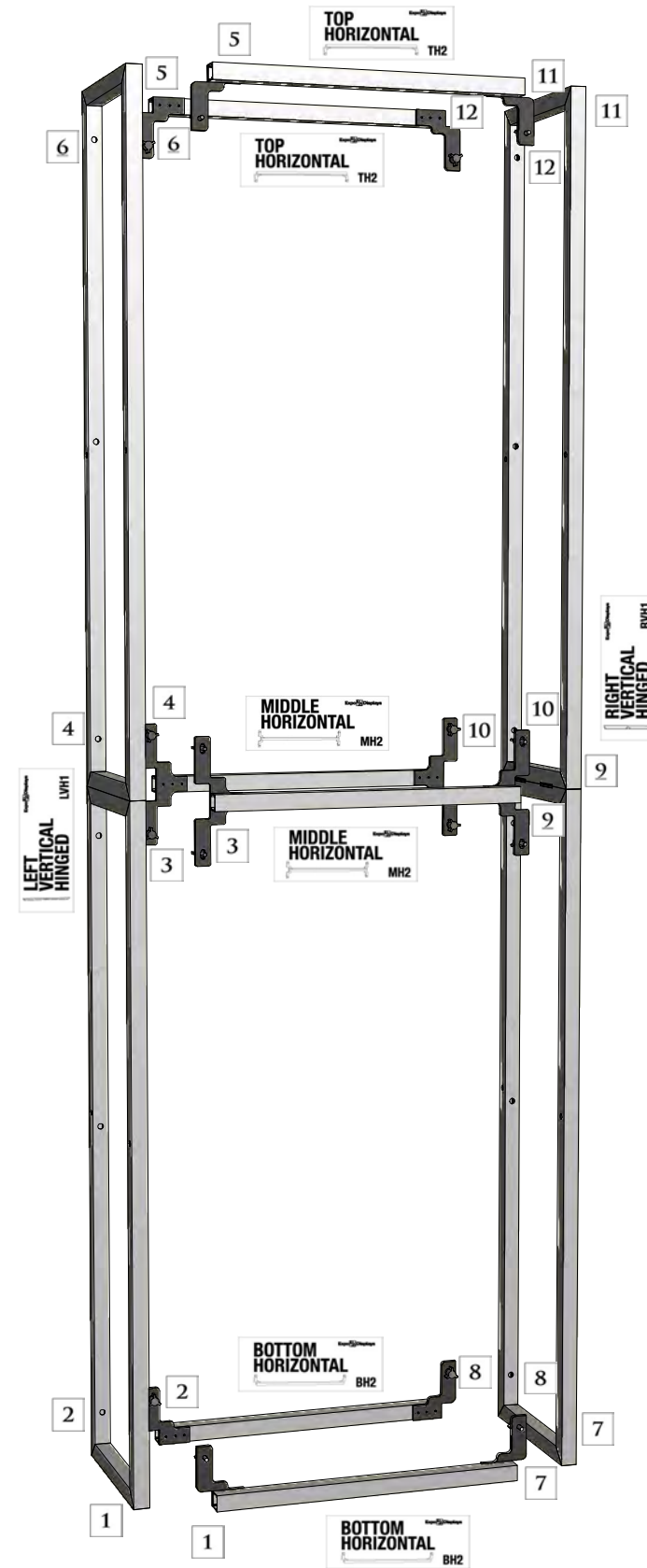
STAND UP-RIGHT



MATCH NUMBERS TO CONSTRUCT



PARTS LIST		
QNTY	LABEL	NAME
1	LVH1	LEFT VERTICAL HINGED
1	RVH1	RIGHT VERTICAL HINGED
2	BH2	BOTTOM HORIZONTAL
2	MH2	MIDDLE HORIZONTAL
2	TH2	TOP HORIZONTAL
1	GRN	1" GREEN THUMB SCREW
4	RED	2" RED THUMB SCREW



Expo Displays

3401 Mary Taylor Road  
Birmingham, Alabama 35235  
(205) 439-8200

Drawn By: AKHIII

THIS PART USED TO MAKE  
**MQ-F14**  
1x4 STANDARD FRAME

ASSEMBLY INSTRUCTIONS  
1x4 STANDARD FRAME  
MQ-F14

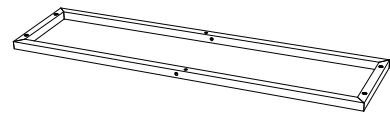
APPENDIX D



PARTS LIST		
QNTY	LABEL	NAME
1	LVR1	LEFT VERTICAL RECTANGLE
1	RVR1	RIGHT VERTICAL RECTANGLE
1	BHR1	BOTTOM HORIZONTAL RECT.
1	THR1	TOP HORIZONTAL RECT.
2	CVH2	CENTER VERTICAL HALF
2	GRN	1" GREEN THUMB SCREW
4	RED	2" RED THUMB SCREW
1	CT124	MQ-F22C COUNTERTOP

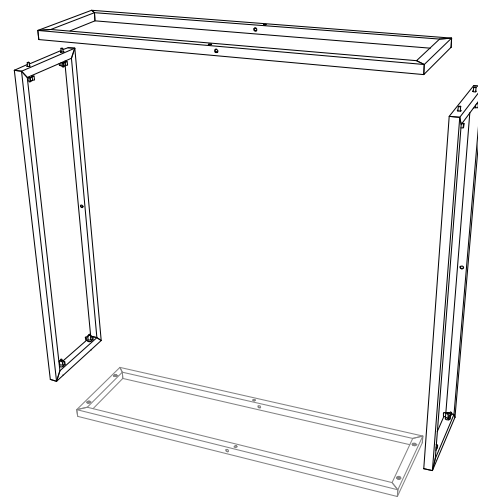
1st Step)

START WITH THE LEFT VERTICAL (LVR1) ON THE GROUND



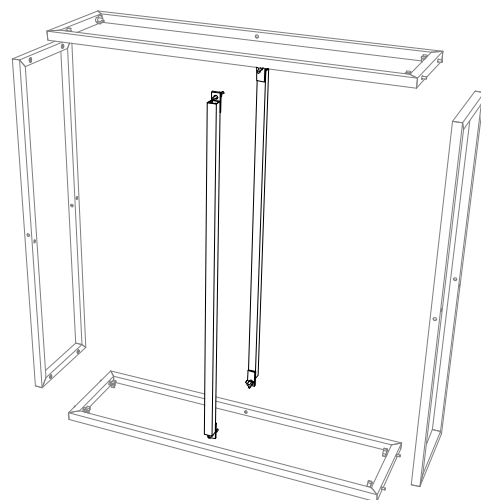
2nd Step)

ATTACH THE TOP HORIZONTAL (THR1), THE BOTTOM HORIZONTAL (BHR1), AND THE RIGHT VERTICAL (RVR1)



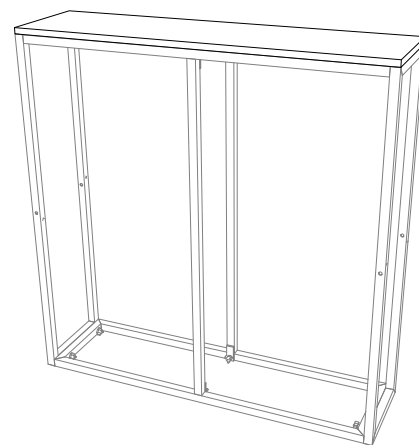
3rd Step)

ATTACH THE (2) CENTER VERTICAL (CVH2)

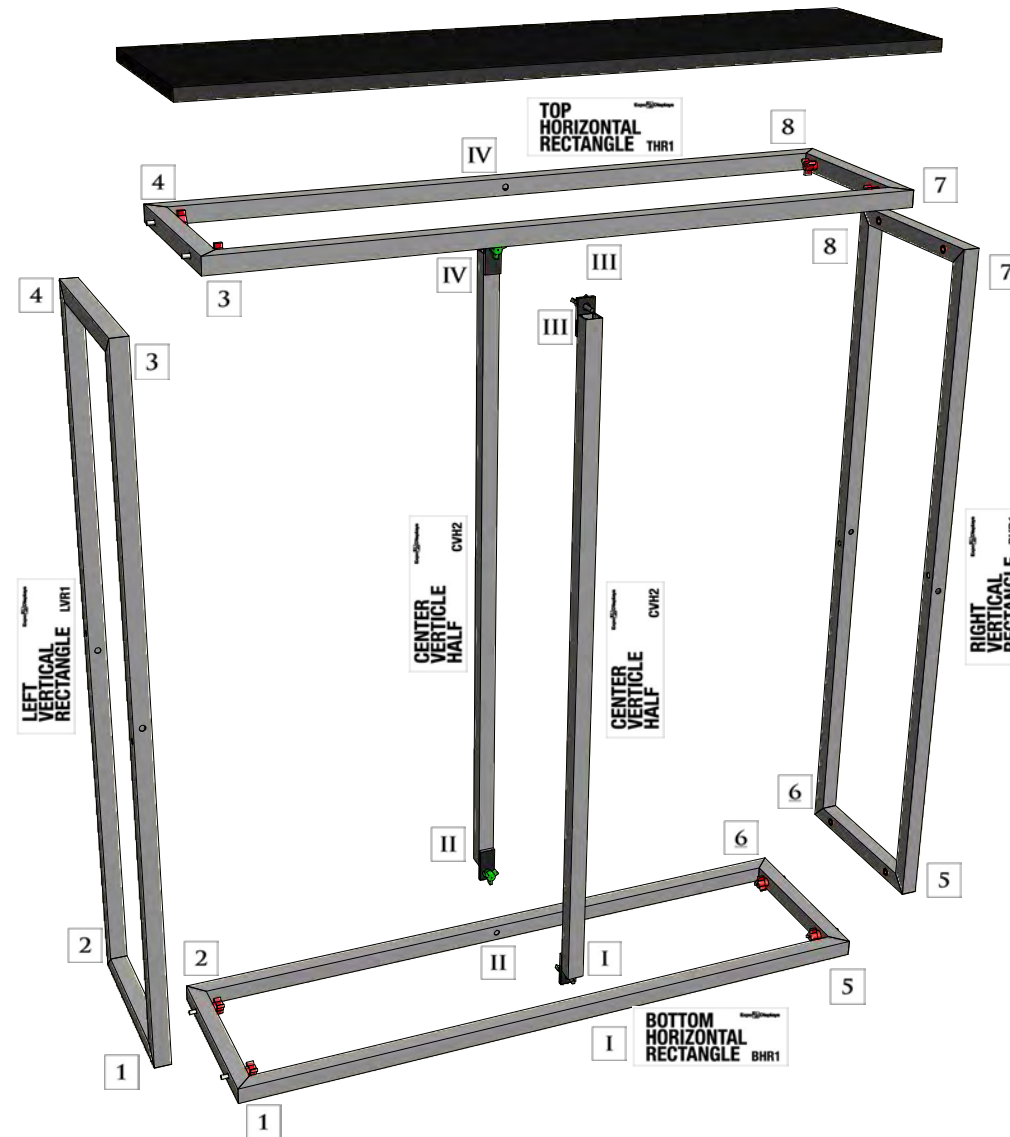


4th Step)

ATTACH THE COUNTERTOP



MATCH NUMBERS TO CONSTRUCT



THIS PART USED TO MAKE  
**MQ-F22C**  
2x2 STANDARD COUNTER



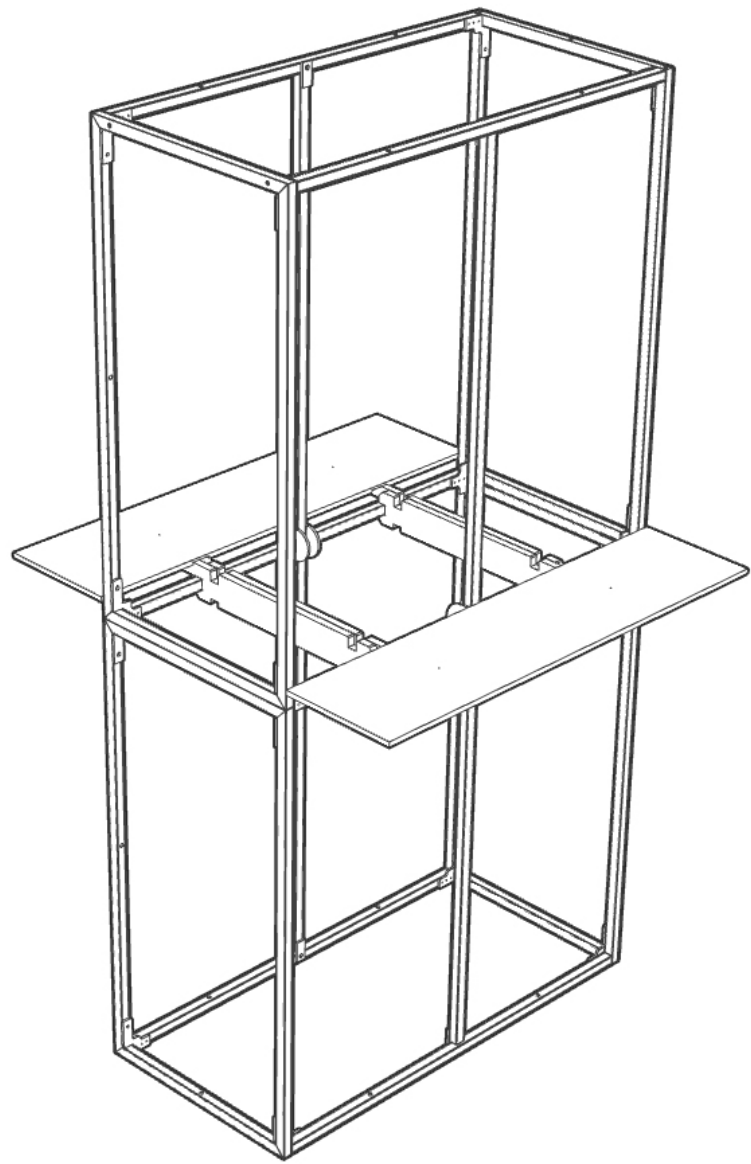
ASSEMBLY  
INSTRUCTIONS

2x2 STANDARD COUNTER  
MQ-F22C

APPENDIX E

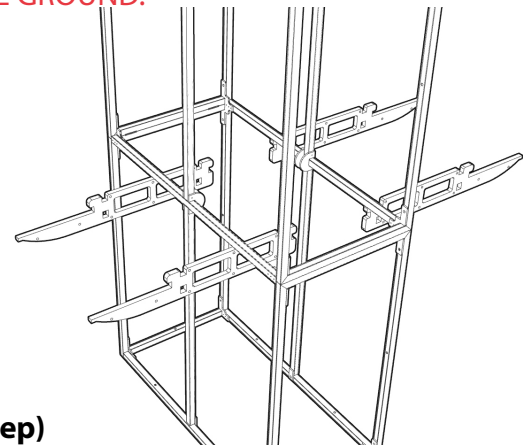
**PARTS LIST:**

#	LABEL	NAME
1	MQX-F24	2X4 MAX FRAME
2	MQX-SH46	46 INCH SHELF ASSEMBLY



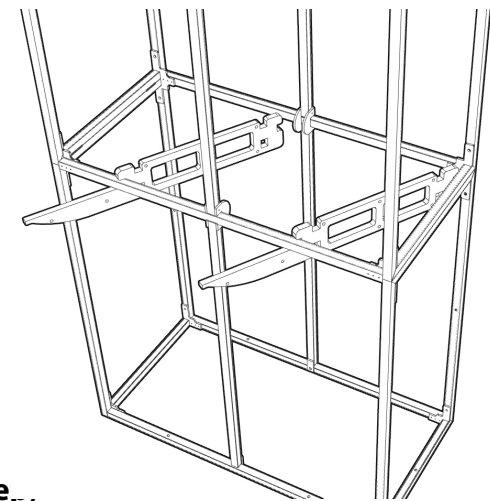
**1st Step)**

STARTING WITH AN ASSEMBLED 2X4 MAX FRAME (MQX-F24) ARRANGE (2 OR 4) SHELF ARMS (MQXP-SA46) TO THE MIDSECTION OF THE FRAME. ON THE GROUND.



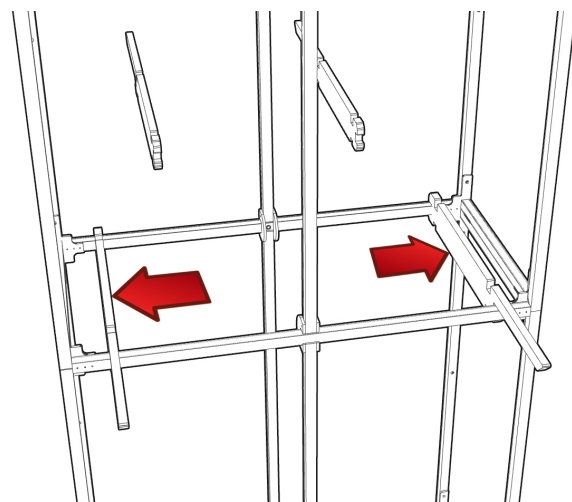
**2nd Step)**

PLACE THE MQ MEDIA SHELF ARMS (MQXP-SA46) ONTO THE FRAME CLAMPING DOWN ON THE FRONT AND BACK OF THE FRAME.



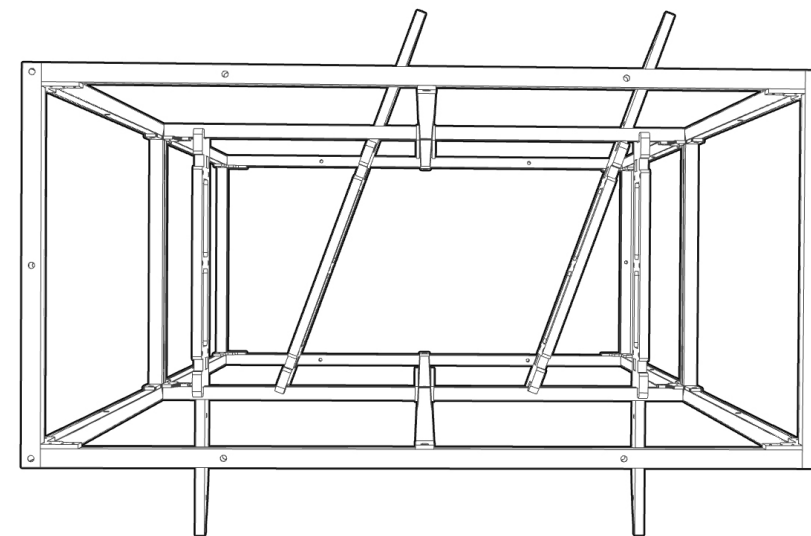
**3rd Step)**

IN ORDER TO MAKE ROOM FOR THE 2ND SET OF ARMS (MQXP-SA46) - PUSH THE EXISTING ARMS TO THE SIDES OF THE MQ FRAME (MQX-F24)



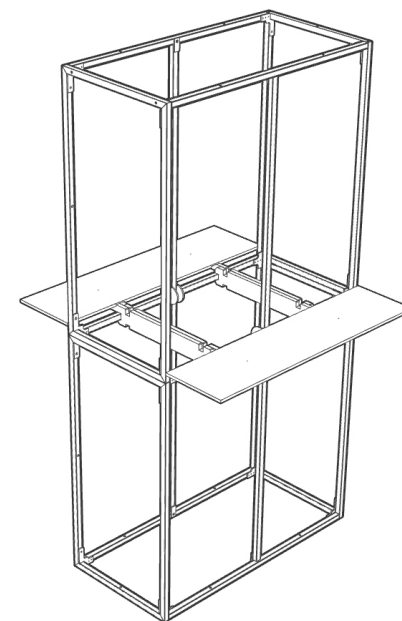
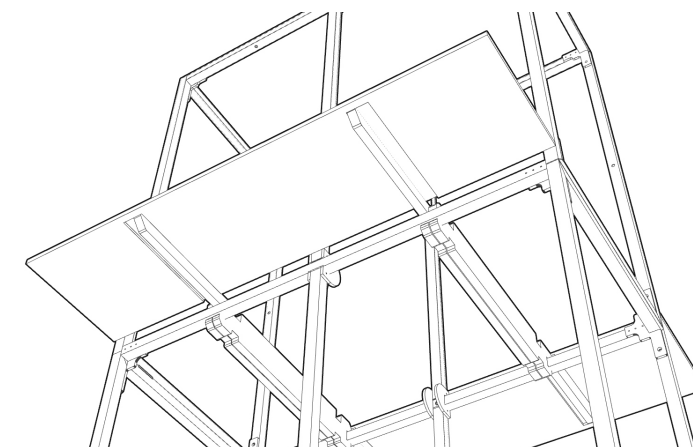
**4th Step)**

REPEAT THE PREVIOUS STEP SECURING THE ARMS TO THE FRAME.



**5th Step)**

ADD THE SHELF (MQP-SCT46) ONTO THE ARMS.



**Expo EX PO Displays**  
A Division of Diamond Displays International

3401 Mary Taylor Road  
Birmingham, Alabama 35235  
(205) 439-8200

Drawn By: NRIMSAND

THIS PART USED TO MAKE  
**MQX-SH46**  
MQ-MAX SHELF 46"

Sheet Title

**ASSEMBLY  
INSTRUCTIONS**

**MQX-SH46  
MULTIQUAD SHELF 46IN**

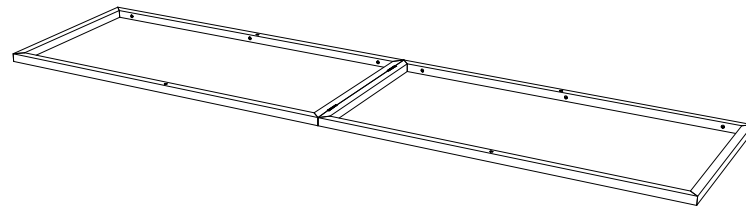
PARTS LIST		
QNTY	LABEL	NAME
1	LVHX	LEFT VERTICAL HINGED MAX
1	RVHX	RIGHT VERTICAL HINGED MAX
2	BH1	BOTTOM HORIZONTAL BAR
2	TH1	TOP HORIZONTAL BAR
2	MH1	MIDDLE HORIZONTAL BAR
1	CVH1	CENTER VERTICAL HINGED BAR
1	CVH2	CENTER VERTICAL HALF
20	GRN	1" GREEN THUMB SCREW
1	MQX-MM1	MAX MEDIA MOUNT

**NOTE:**

REFER TO APPENDIX J FOR BASIC MQX-F24 FRAME ASSEMBLY AND APPENDIX J7 FOR MAX MEDIA MOUNT ASSEMBLY

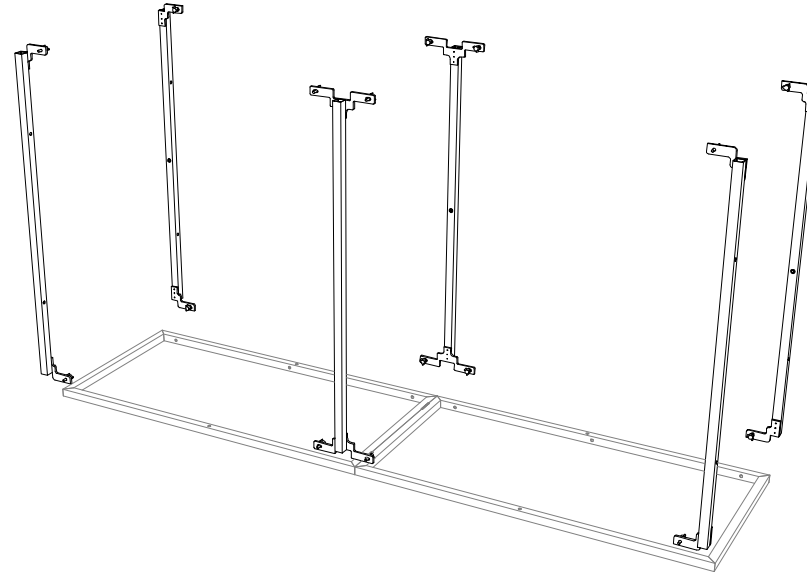
**1st Step)**

START WITH THE LEFT VERTICAL (LVHX) ON THE GROUND



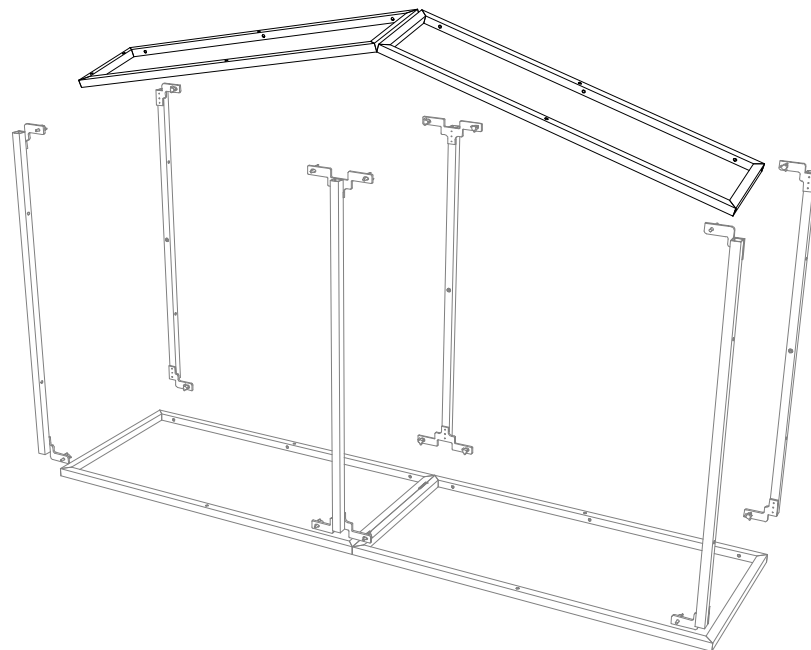
**2nd Step)**

ATTACH THE (2) TOP HORIZONTAL (TH1), THE (2) MIDDLE HORIZONTAL (MH1), AND THE (2) BOTTOM HORIZONTAL (BH1)



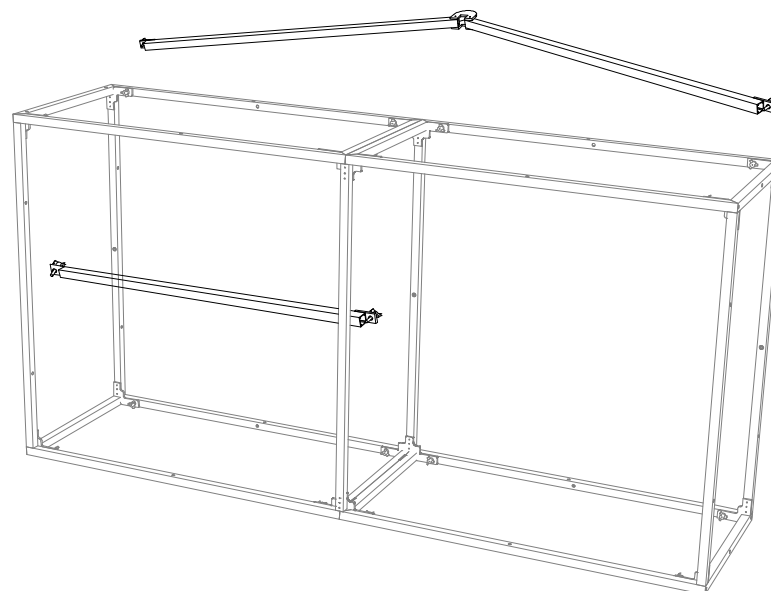
**3rd Step)**

ATTACH THE RIGHT HINGED SIDE (RVH1)



**4th Step)**

ATTACH THE (1) CENTER VERTICAL HINGED (CVH1) TO BACK OF FRAME, AND (1) CENTER VERTICAL (CVH2) TO BOTTOM-FRONT OF FRAME, AND STAND UP-RIGHT



\*MATCH NUMBERS TO CONSTRUCT



Expo Displays

3401 Mary Taylor Road  
Birmingham, Alabama 35235  
(205) 439-8200

Drawn By: JW



ASSEMBLY INSTRUCTIONS

MQX-F24 WITH MAX MEDIA MOUNT

APPENDIX J6

## PARTS LIST:

#	LABEL	NAME
1	MQ-LM4QD	MAX MEDIA MOUNT

### 1st Step)

THIS SET OF ASSEMBLY INSTRUCTIONS FOCUSES ON THE SINGLE - SIDED MOUNT (MQ-LM4QD). THE SAME PROCEDURES APPLY WHEN SETTING UP THE DOUBLE SIDED (MQ-LM4Q) AND THE DOUBLE SIDED CONVERSION KIT (MQ-LM4QC)



MQ-LM4Q  
SINGLE SIDED  
MEDIA MOUNT



MQ-LM4QC  
DOUBLE SIDED  
CONVERSION  
KIT



### 2nd Step)

AN M10 HEX KEY WILL BE INCLUDED WITH THE MOUNT THAT WILL BE USED TO FASTEN THE EXTRUSIONS TOGETHER.



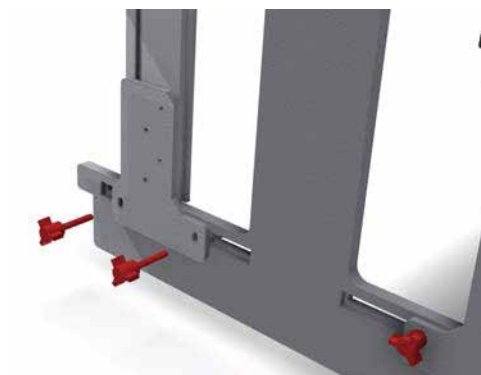
M10 HEX KEY

THE CIRCLES REPRESENT THE EXTRUSION LOCKS.

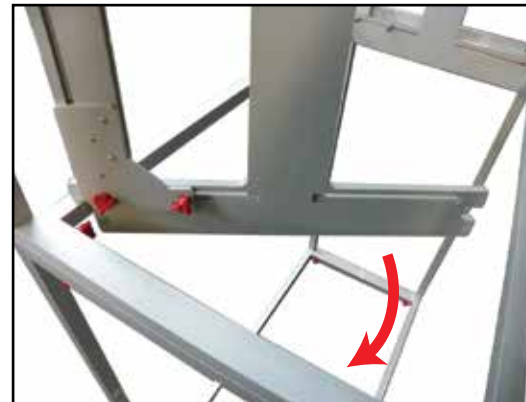
TIGHTEN THE LOCKS USING THE HEX KEY BY TURNING IT CLOCKWISE UNTIL THE MECHANISM LOCKS INSIDE THE CHANNEL.



USE THE M10 HEX KEY TO TIGHTEN THE LOCKS THAT ATTACH THE VESA TV MOUNT TO THE ARMS.



ATTACH THE ASSEMBLED ARMS TO THE "I" SHAPED CENTER VERTICAL SUPPORT USING THE PROVIDED RED THUMBSCREWS AND WING NUTS.



### 4th Step)

LINE THE MONITOR'S CENTER WITHIN THE CENTER OF THE FRAME. THEN GENTLY HOOK THE UNIT'S BACK ONTO THE FRAME



THE "I" SHAPED CENTER HOOKS ON TO THE BACK OF THE MQXF24 FRAME.

NOTE: EXPODISPLAYS® WILL OFTEN ADD ARROWS ON THE EXTRUSIONS TO INDICATE THE IDEAL LOCATION OF THE MONITORS. SIMPLY CONNECT THE ARROWS.



### 5th Step)

CHECK TO MAKE SURE MONITOR BRACKET IS LEVEL USING BUBBLE INDICATOR ON FRONT



**Expo Displays**  
A Division of Universal Display International

3401 Mary Taylor Road  
Birmingham, Alabama 35235  
(205) 439-8200

Drawn By: JW



Sheet Title

**ASSEMBLY  
INSTRUCTIONS  
SINGLE - SIDED  
MAX MEDIA MOUNT**

APPENDIX J7