

WHEN ASSEMBLING **EX PO MultiQuad**[®]

REMEMBER YOUR **ABC**'s...

ASSEMBLE EACH COMPONENT SEPARATELY

BUILD THE DESIRED LAYOUT

COVER YOUR MULTIQUAD LAYOUT WITH QUADS



EX PO MultiQuad[®]
An **ExpoDisplays** Product

PLW Modelworks
10 x 20 Custom MultiQuad[®]

EX PO

Expo EX PO Displays[®]
A Division of Diamond Displays International

3401 Mary Taylor Road
Birmingham, Alabama 35235
(205) 439-8200

Job #: 74787

Project Title

10x20 MULTIQUAD[®]

Sheet Title

**ASSEMBLY
INSTRUCTIONS
COVER SHEET**

Page 1

ELECTRICAL PLAN



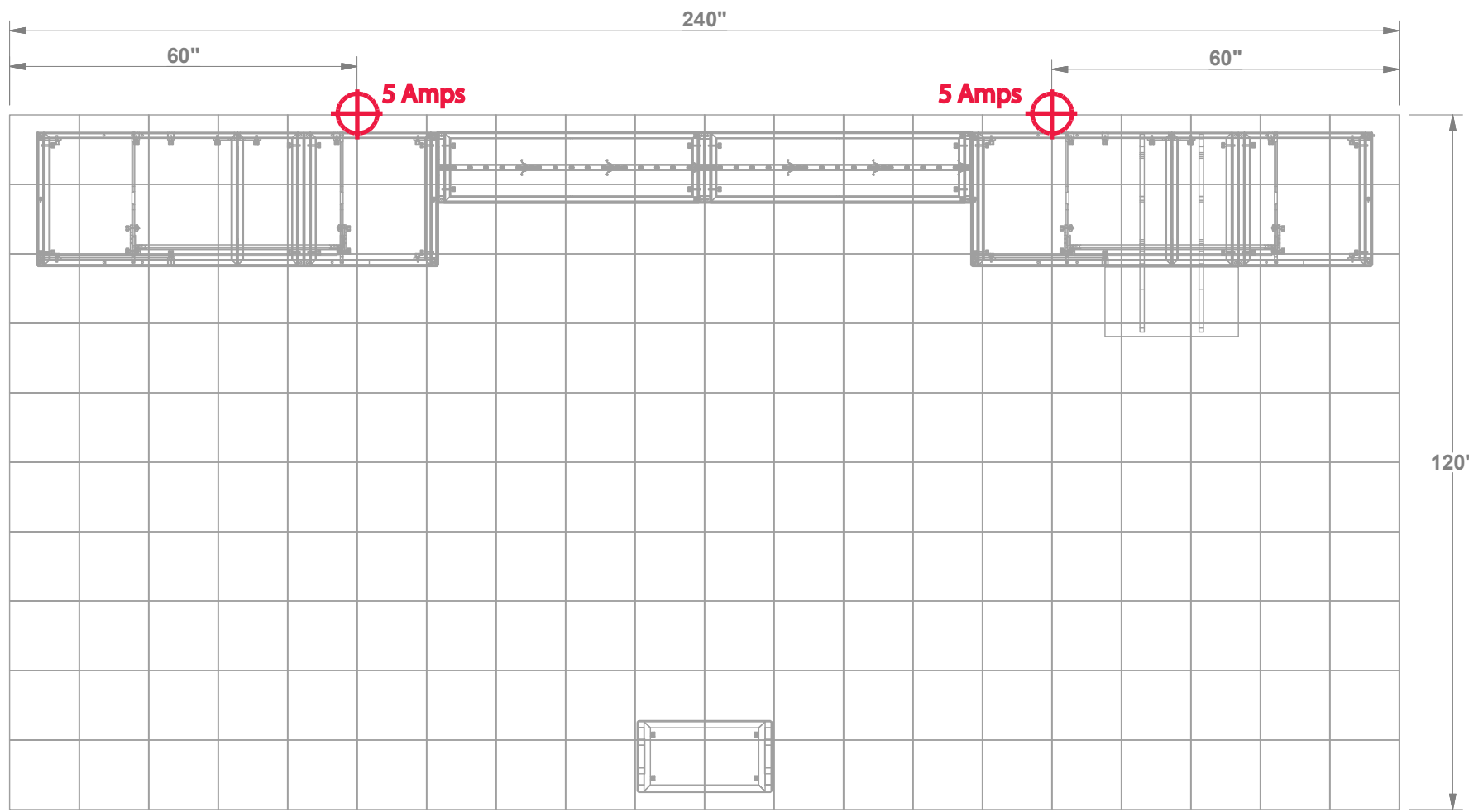
Project Title

10x20 MULTIQAD ®

Sheet Title

ASSEMBLY
INSTRUCTIONS
ELECTRICAL PLAN

BOOTH # _____ ↗



TOP VIEW



BOOTH # _____ ↘

FRONT OF DISPLAY

BOOTH # ↗

BOOTH # ↘

1 Square = 1'- 0"

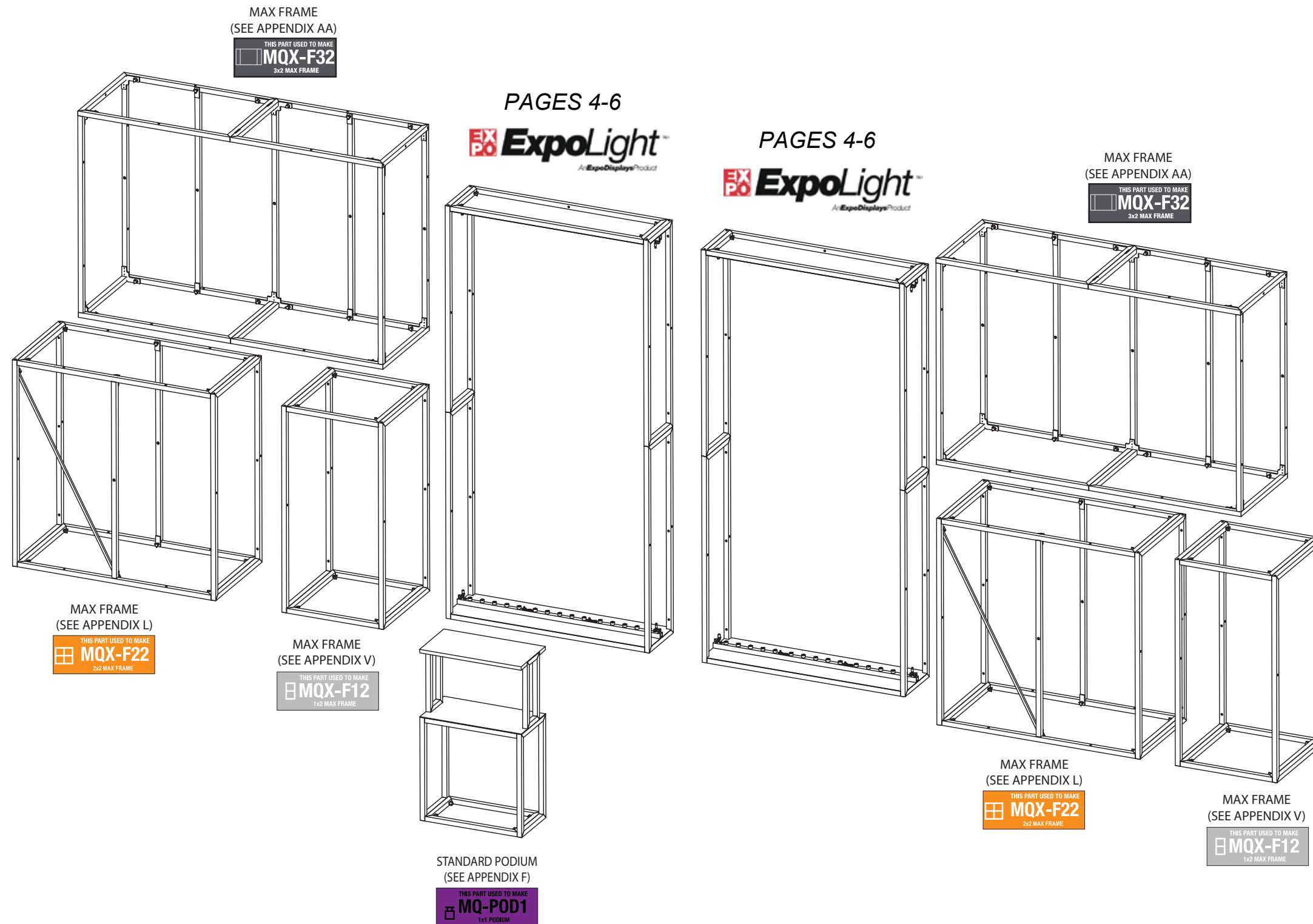
-  MAIN ELECTRICAL DROP
-  ELECTRICAL OUTLET

SHOW: _____

BOOTH: _____

STANDARD PARTS

ASSEMBLE ALL FRAMES LISTED USING APPENDIX PAGES



Expo EX PO Displays
A Division of Diamond Displays International

3401 Mary Taylor Road
Birmingham, Alabama 35235
(205) 439-8200

Job #: 74787

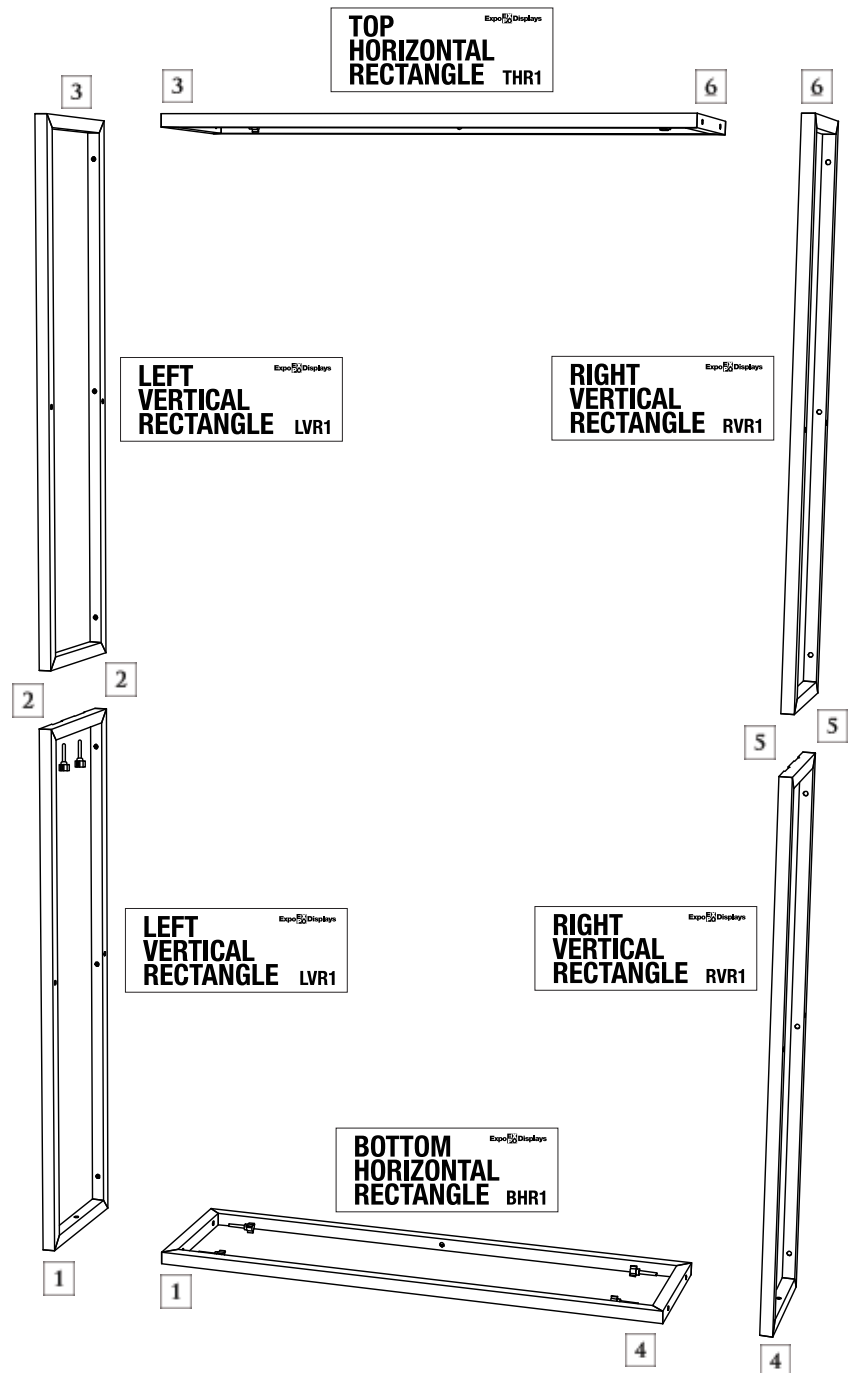
Project Title

10x20 MULTIQUAD®

Sheet Title

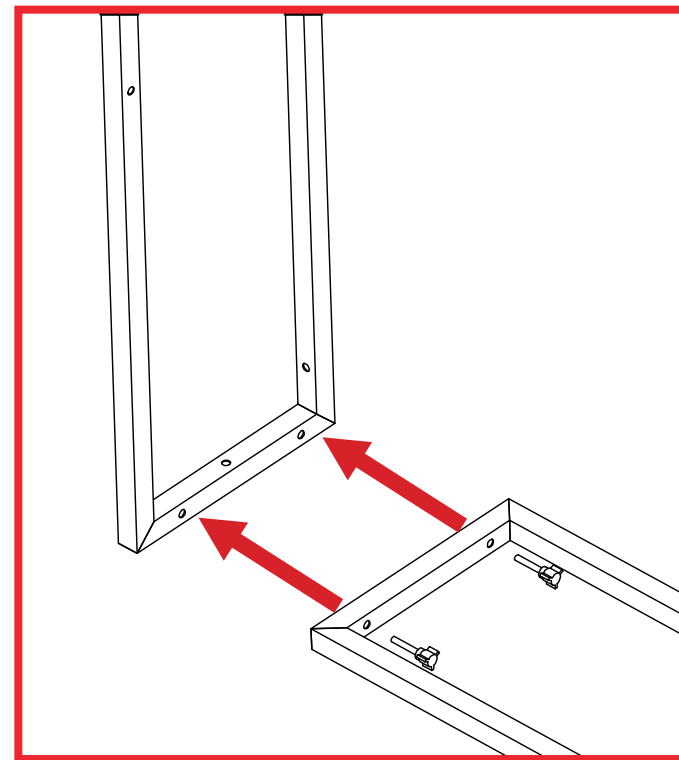
ASSEMBLY INSTRUCTIONS

STANDARD PARTS

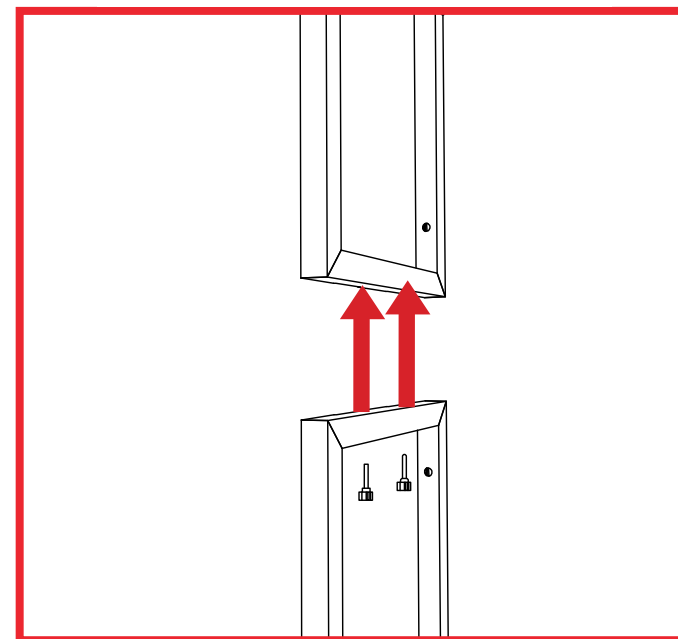


EXPLODED VIEW

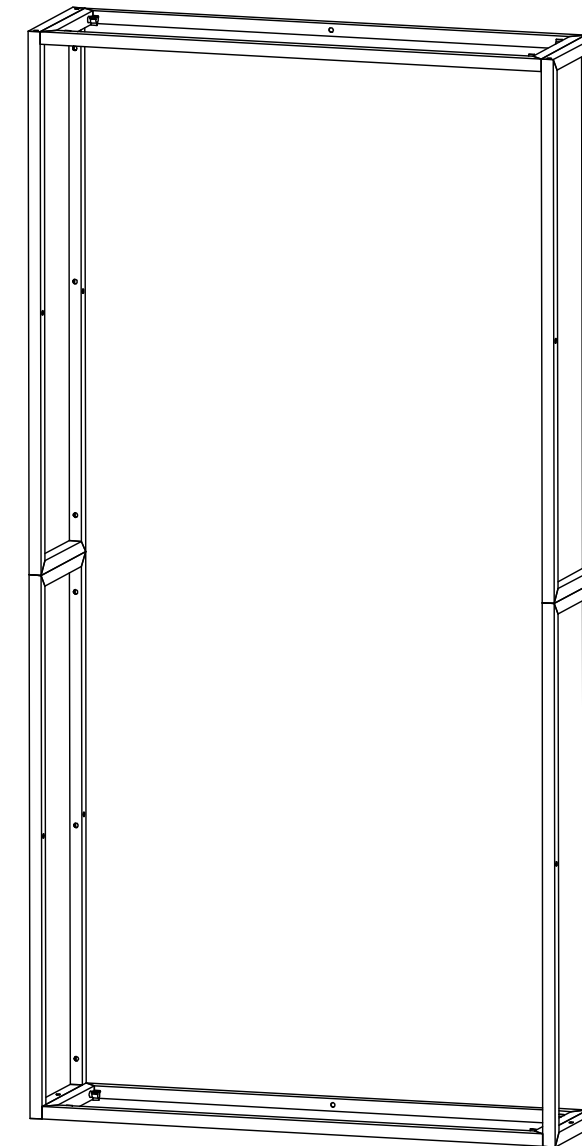
**MATCH EACH NUMBER
TO ITS MATE
(ASSEMBLE ON FLOOR)**



**CORNER JOINTS 1, 3, 4, 6
(JOINED WITH RED THUMBSCREWS)**



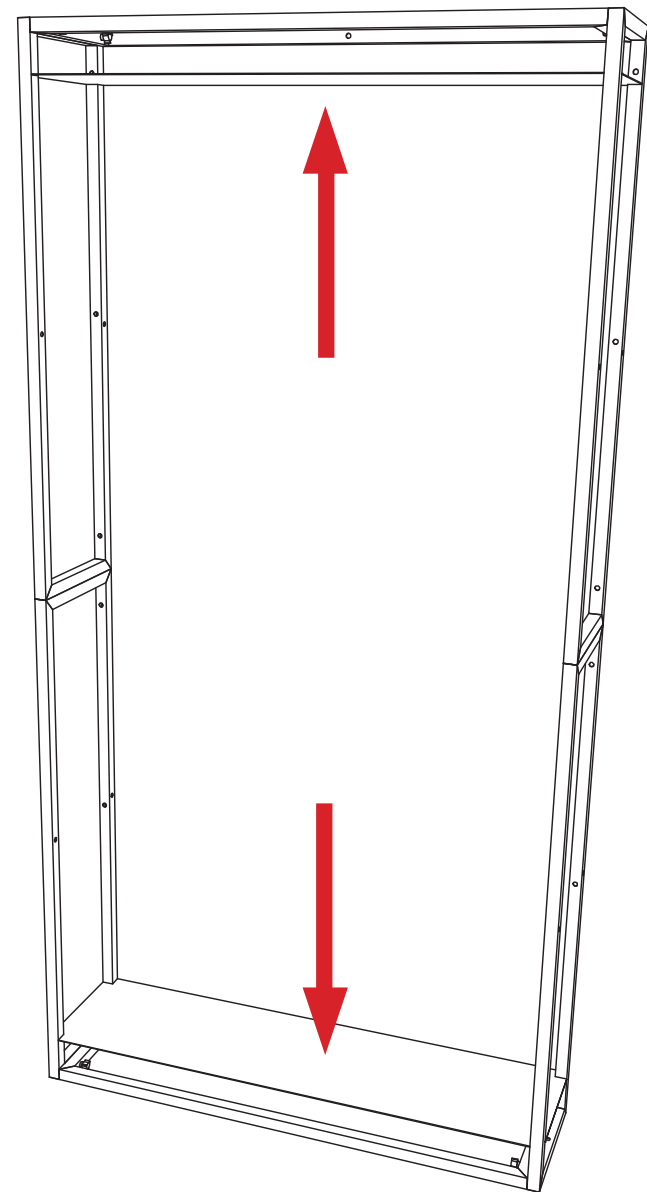
**MIDDLE JOINTS 2 & 5
(JOINED WITH RED THUMBSCREWS)**



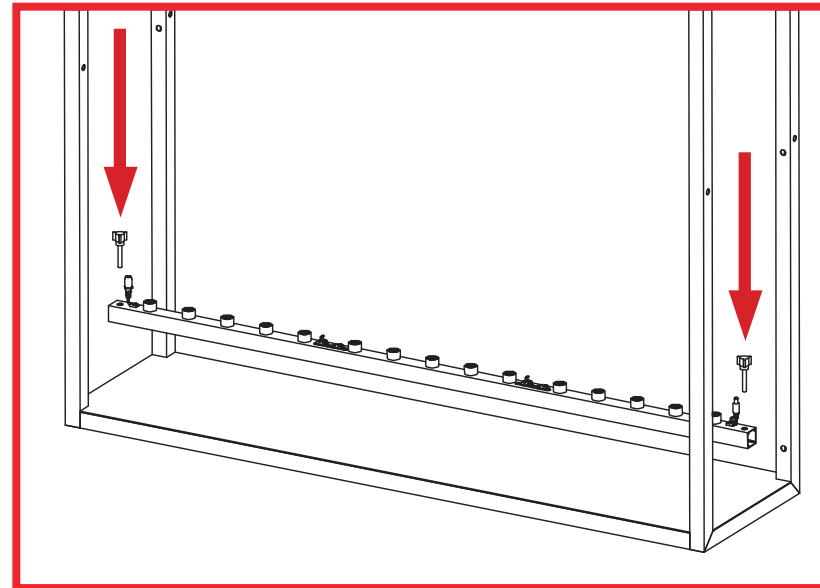
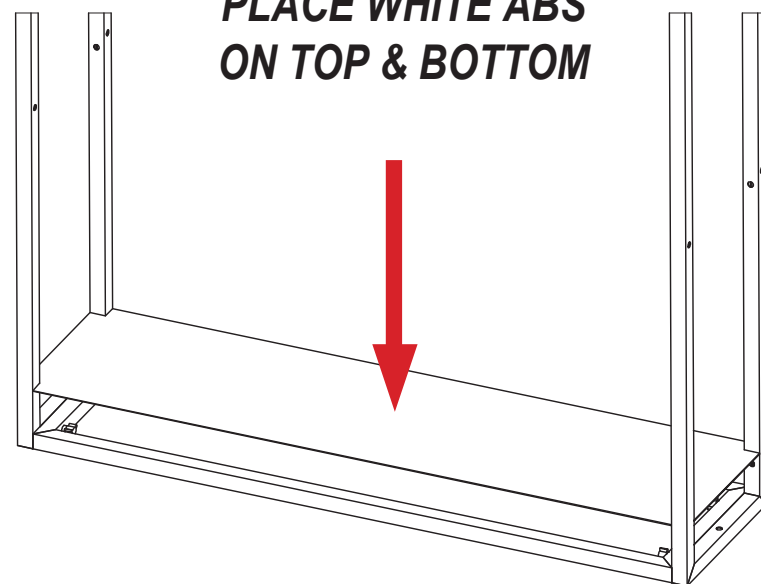
ASSEMBLED VIEW

**ASSEMBLY
INSTRUCTIONS**

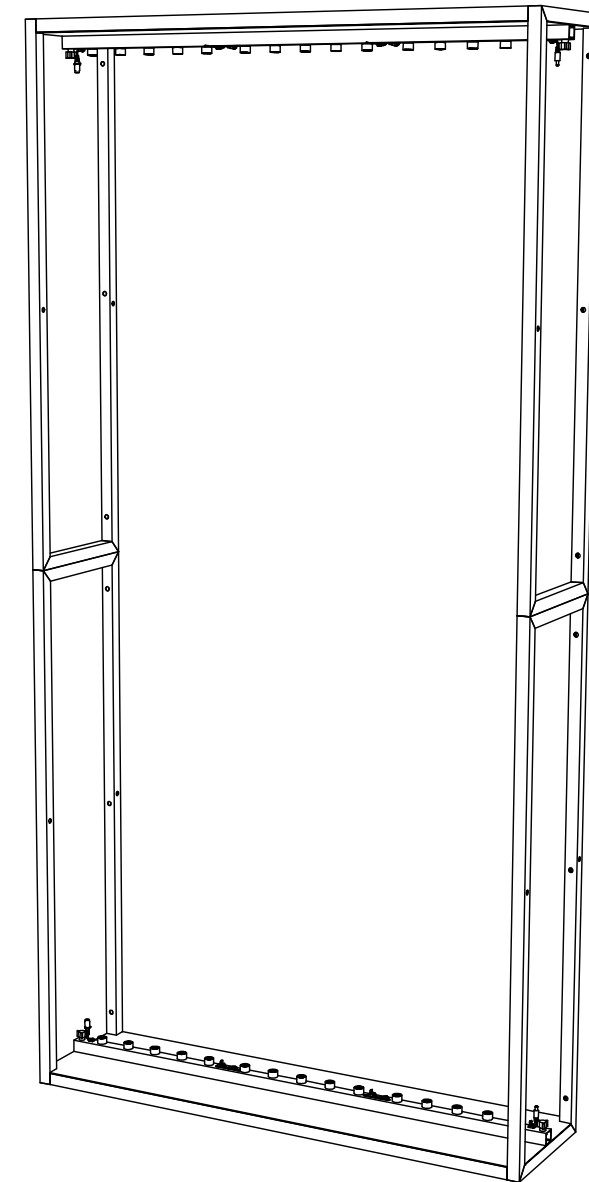
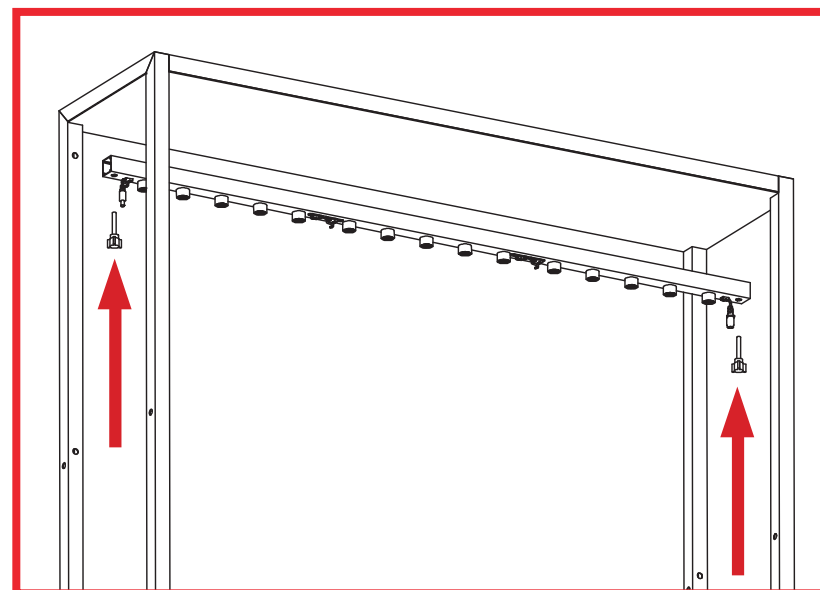
THIS PART
USED TO MAKE
**EL-F
4692**
EXPOLIGHT™
FRAME - 46"



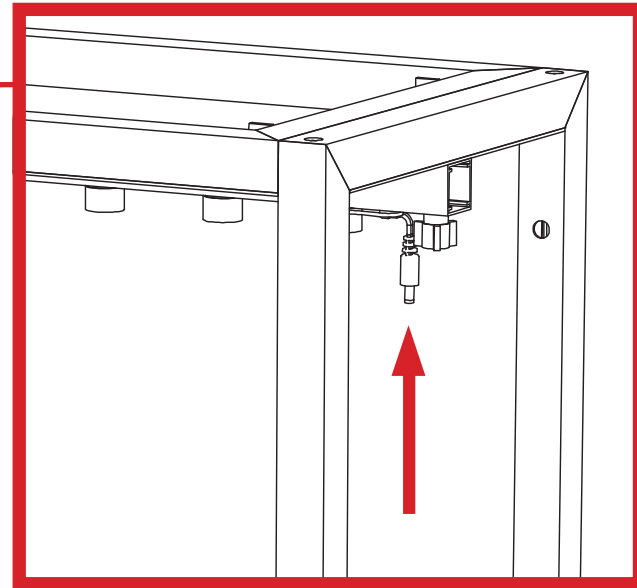
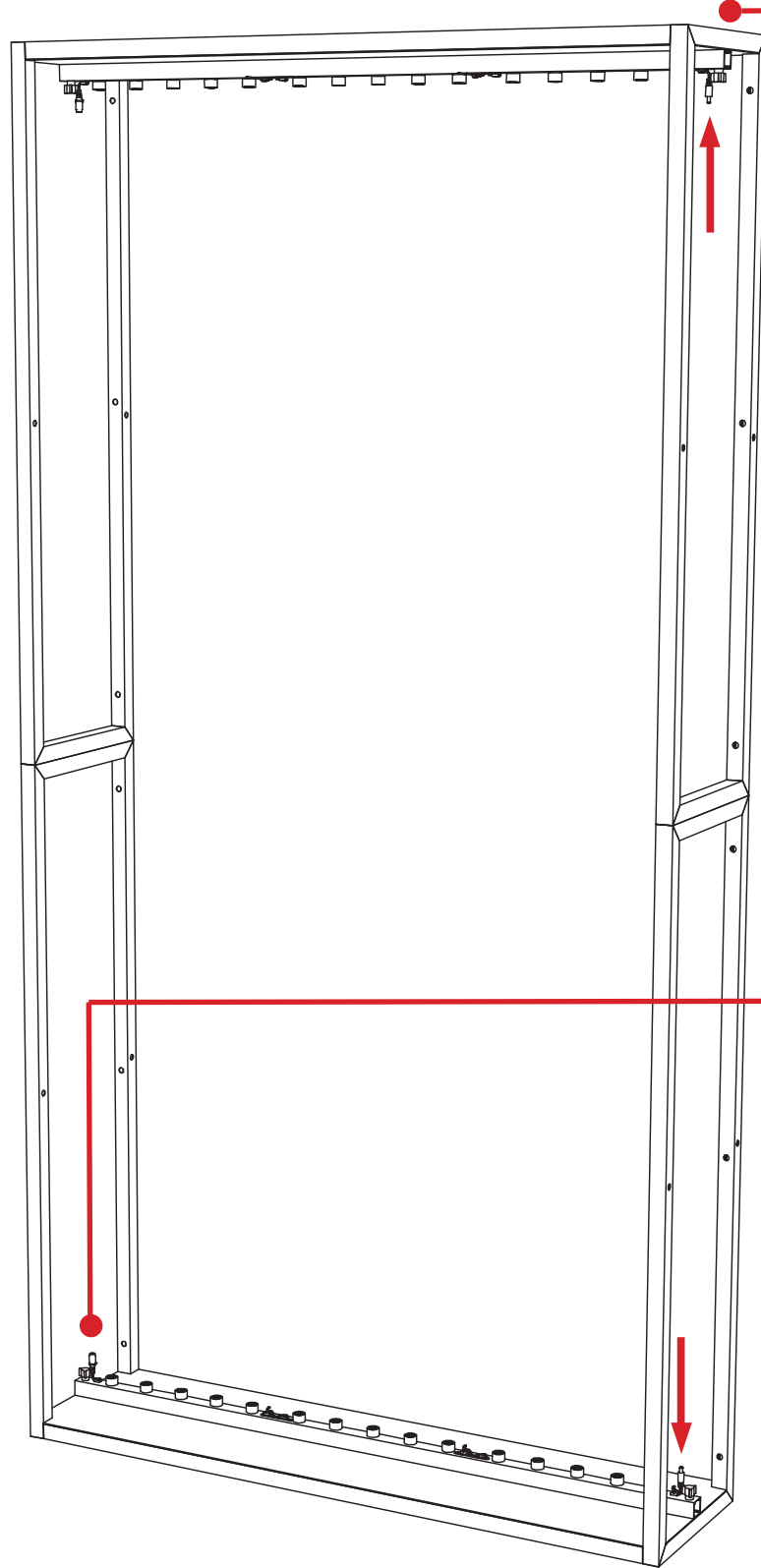
**PLACE WHITE ABS
ON TOP & BOTTOM**



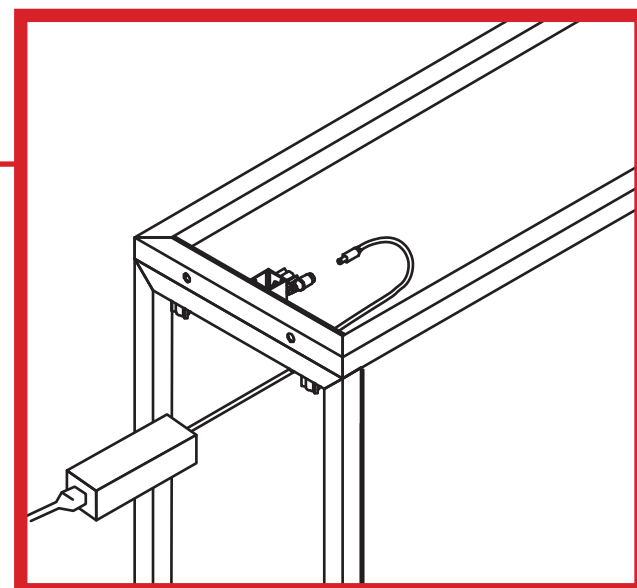
**SECURE LIGHT BARS & ABS
TO TOP & BOTTOM OF FRAME
WITH RED THUMBSCREWS**



(ASSEMBLE ON FLOOR)



**CONNECT TOP EXPOLIGHT BAR TO BOTTOM EXPOLIGHT BAR
WITH RED AND BLACK COATED POWER CORD**



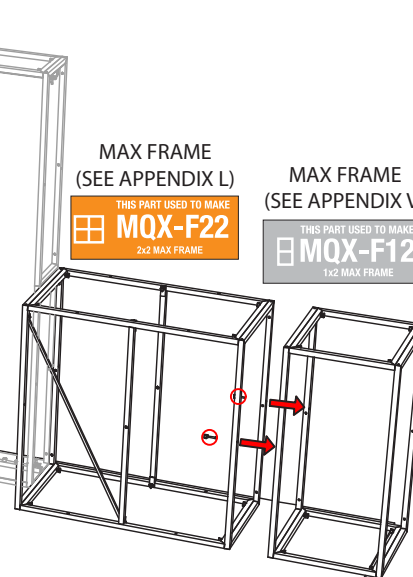
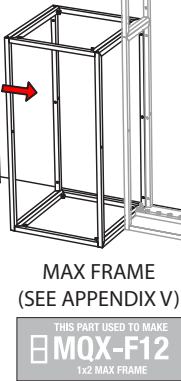
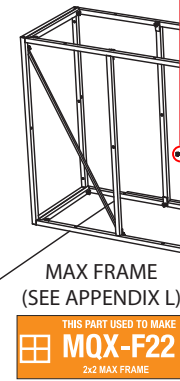
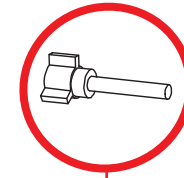
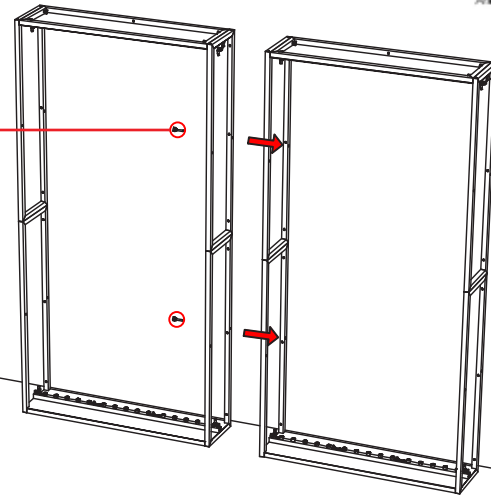
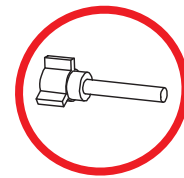
(2.5 AMP) POWER SUPPLY ATTACHES TO OPPOSITE SIDE BOTTOM OF FRAME

NOTE : (1) 2.5 AMP POWER SUPPLY CAN POWER UP TO 30 BULBS

MAIN WALL SET-UP

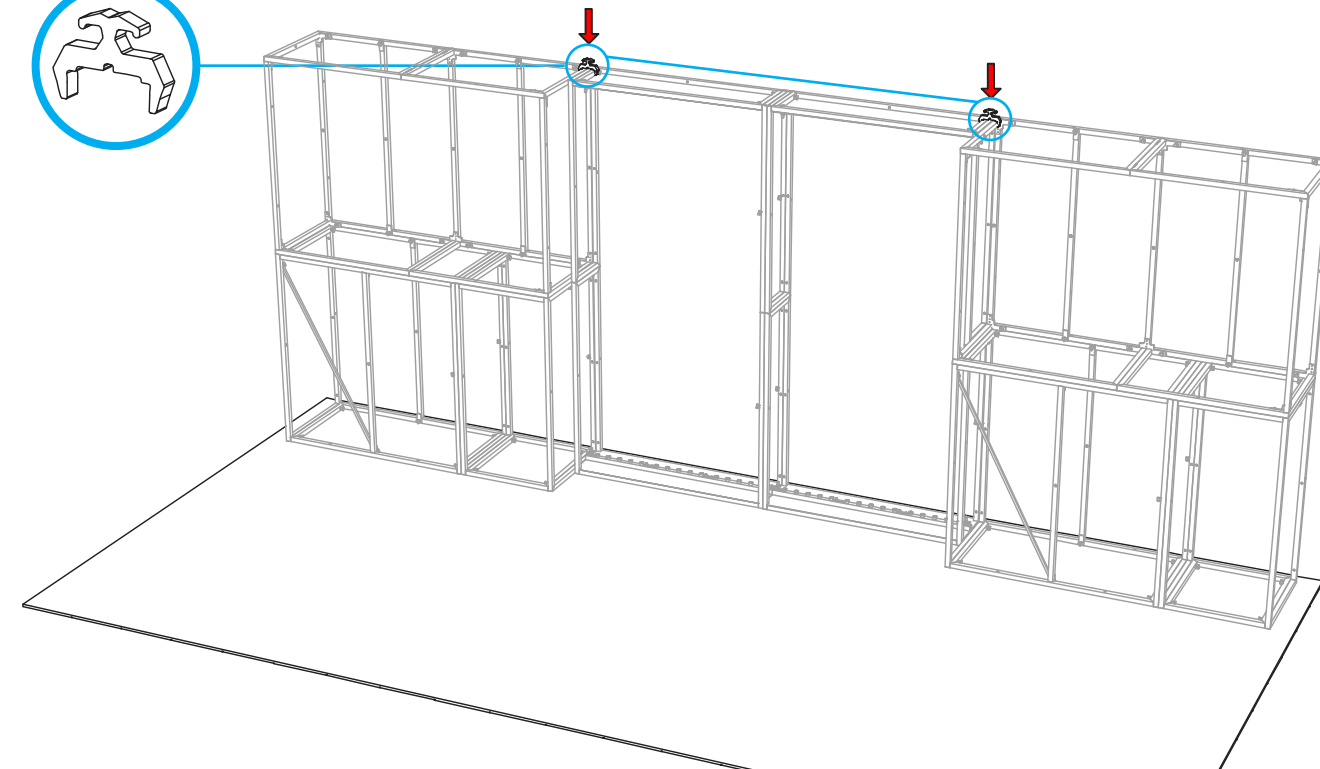
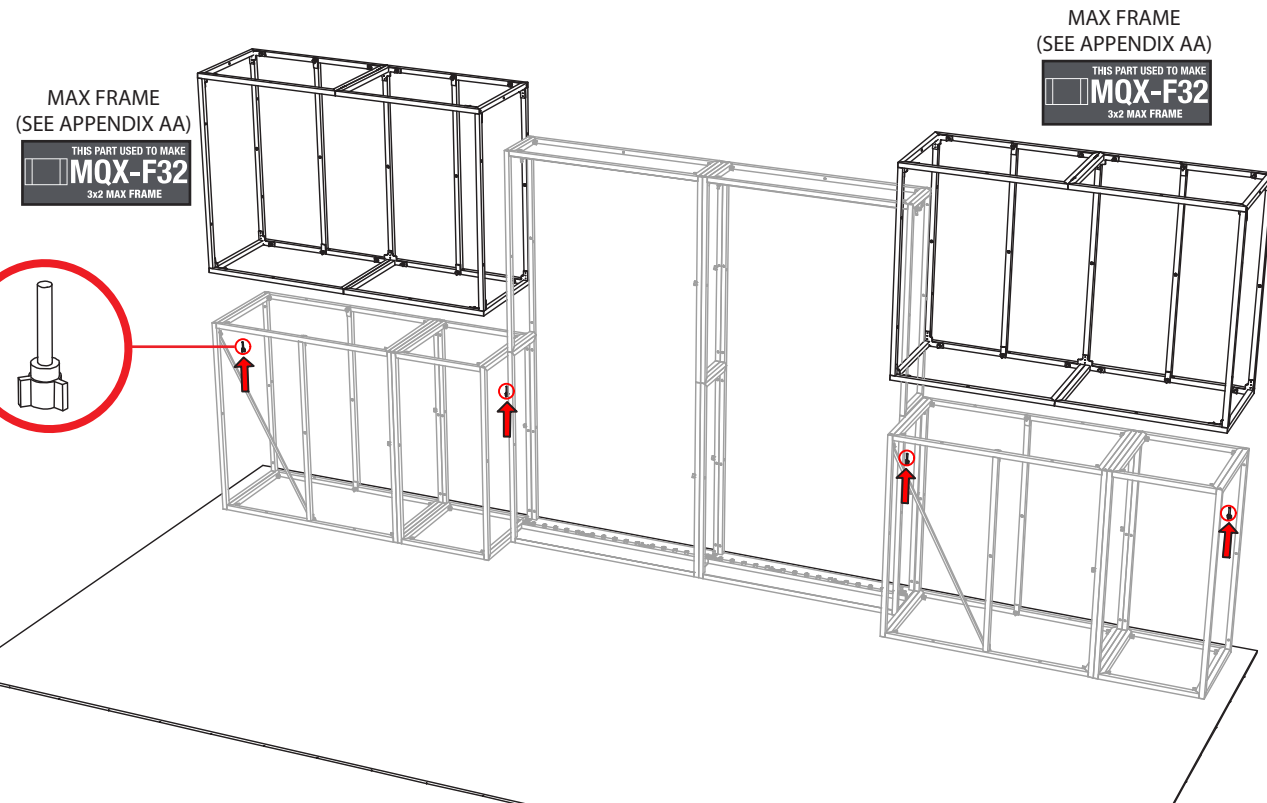
PAGES 4-6
EX PO ExpoLight
An ExpoDisplays Product

PAGES 4-6
EX PO ExpoLight
An ExpoDisplays Product



JOIN (**2**) **EX PO ExpoLight** IN MIDDLE OF FLOORSPACE IN BACK WITH (**2**) **RED THUMBSCREWS** IN DIRECTION SHOWN

JOIN (**2**) **MQX-F22** & **MQX-F12** ON BOTH ENDS OF FLOORSPACE WITH (**4**) **RED THUMBSCREWS** IN DIRECTION SHOWN



JOIN (**2**) **MQX-F32** ON TOP OF **ASSEMBLED FRAMES** WITH (**4**) **RED THUMBSCREWS** IN DIRECTION SHOWN

JOIN **ASSEMBLED FRAMES** TO **ASSEMBLED EX PO ExpoLight** WITH (**2**) **WIDE PRESSURE CLAMPS** ON TOP IN DIRECTION SHOWN



Expo EX PO Displays
A Division of Diamond Displays International

3401 Mary Taylor Road
Birmingham, Alabama 35235
(205) 439-8200

Job #: 74787

Project Title

10x20 MULTIQAD®

Sheet Title

ASSEMBLY INSTRUCTIONS
MAIN WALL SET-UP

SHELF, MEDIA MOUNT, PODIUM SET-UP



Expo EX PO Displays
A Division of Diamond Displays International

3401 Mary Taylor Road
Birmingham, Alabama 35235
(205) 439-8200

Job #: 74787

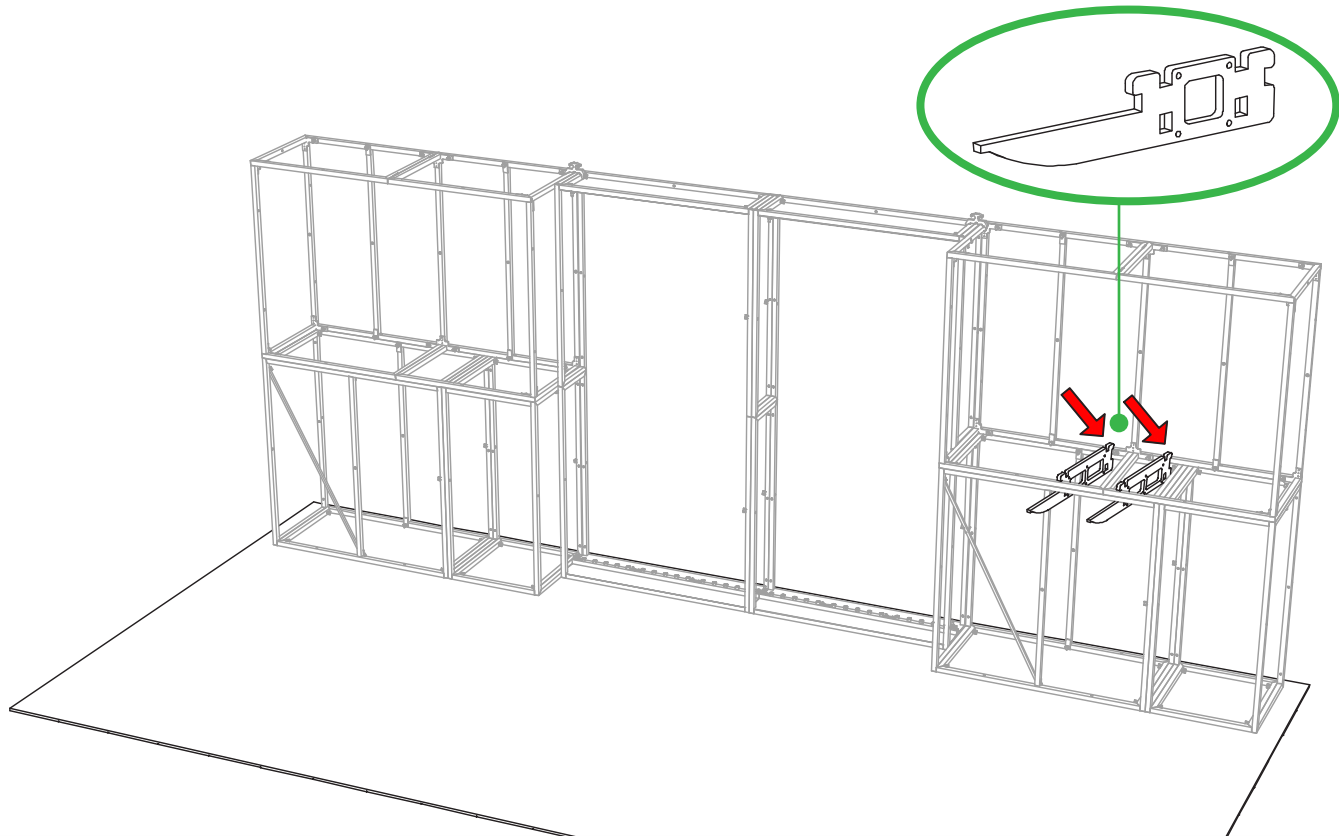
Project Title

10x20 MULTIQAD®

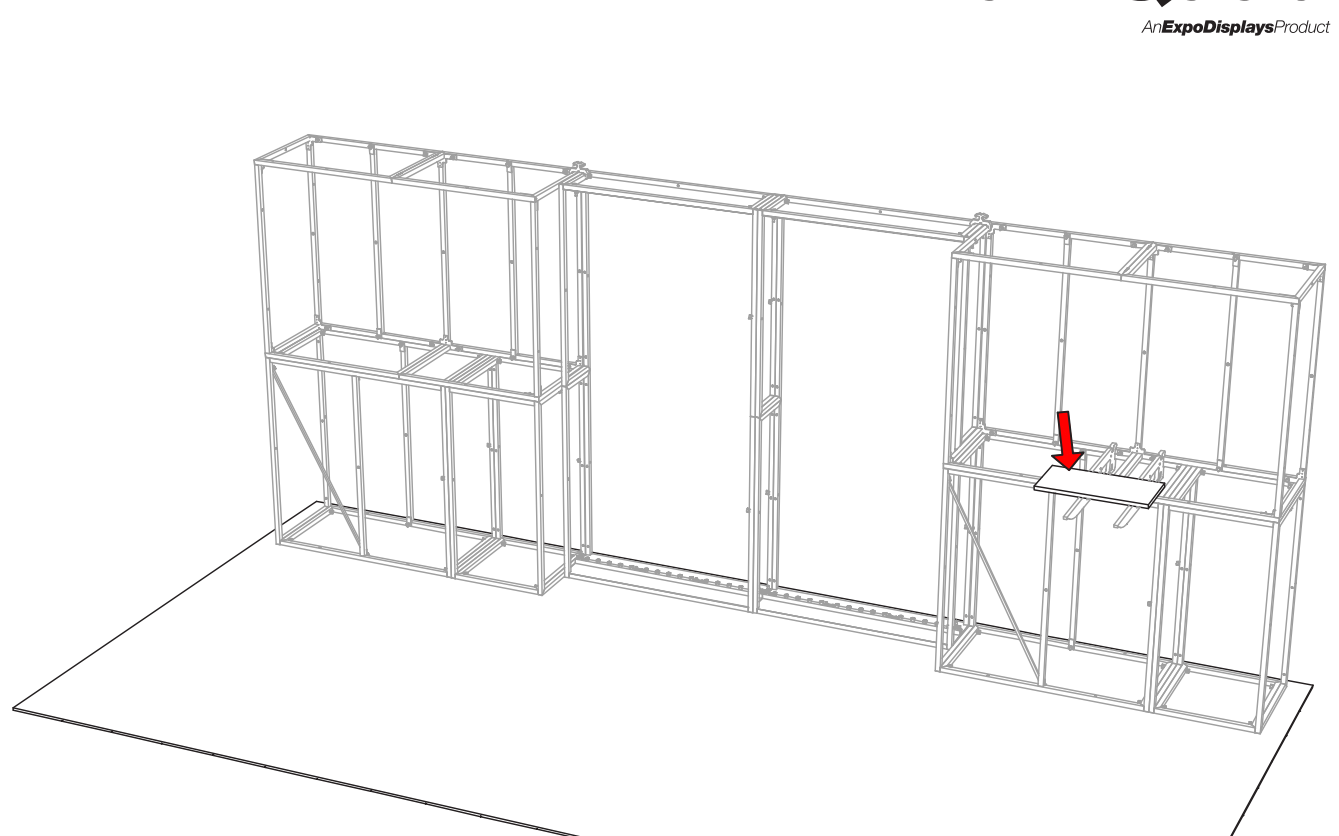
Sheet Title

ASSEMBLY INSTRUCTIONS

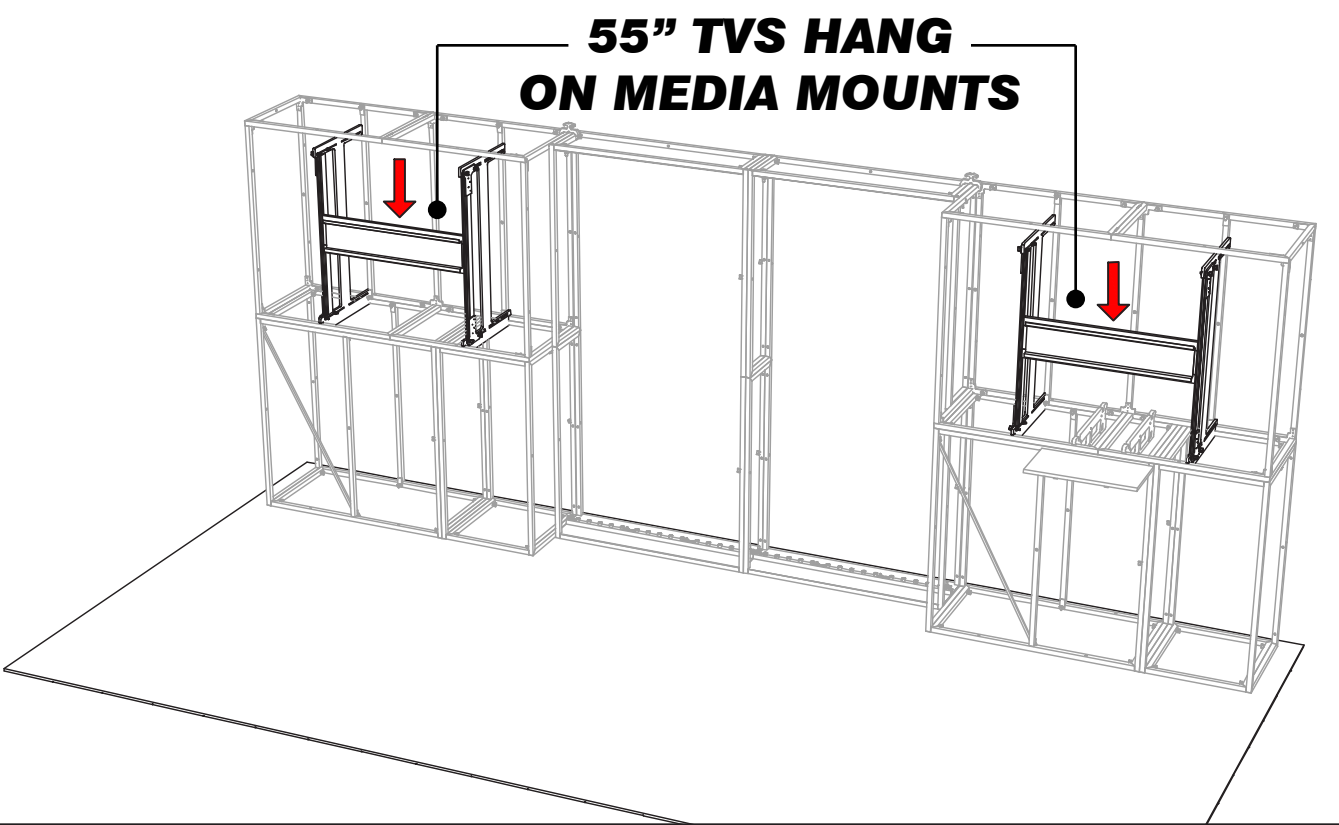
**SHELF, MEDIA MOUNT
PODIUM SET-UP**



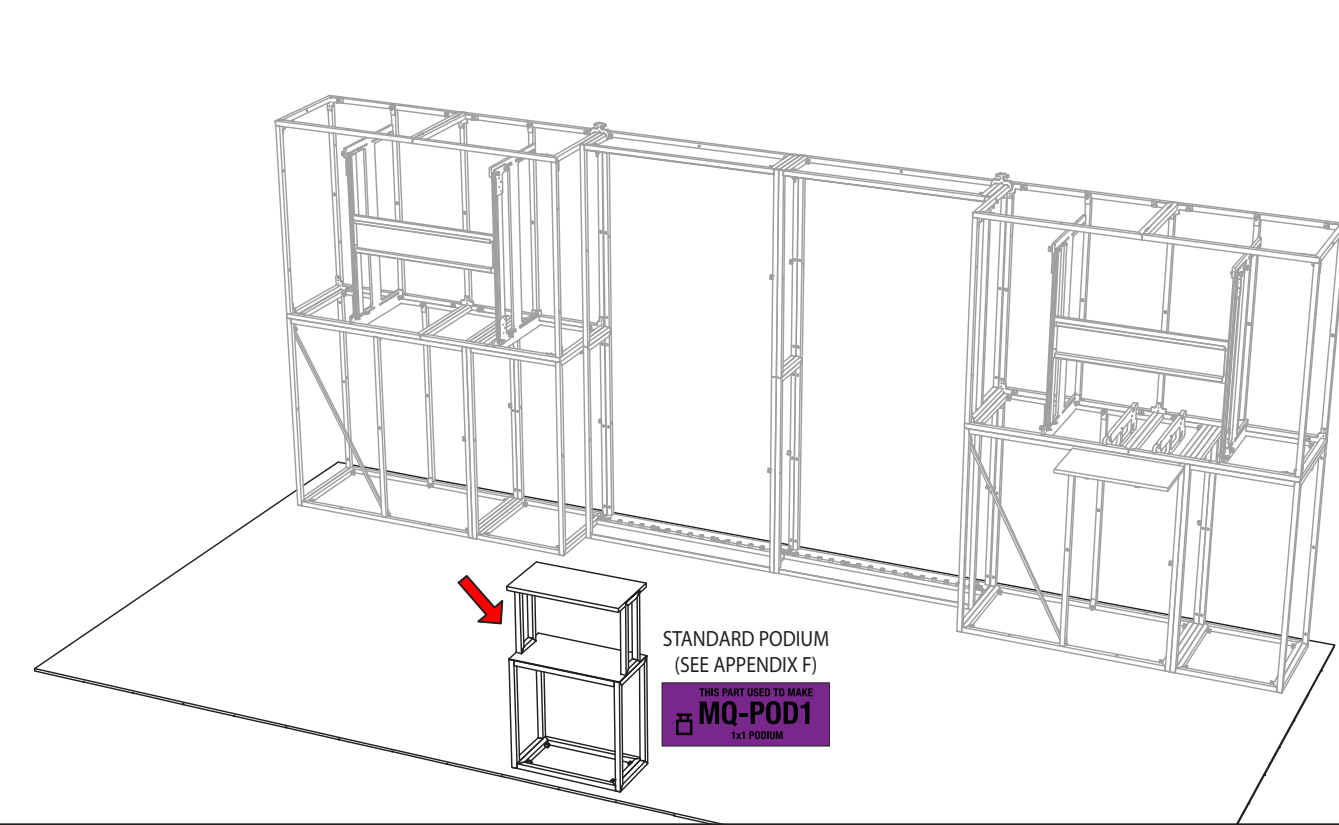
(SEE APPENDIX J-2 FOR GENERAL INSTRUCTIONS)
INSERT (2) SHELF BRACKETS AS SHOWN



ATTACH 12 X 23 SHELF TO SHELF BRACKETS
WITH PRE-ATTACHED VELCRO AS SHOWN



(SEE APPENDIX J-7 FOR GENERAL INSTRUCTIONS)
ASSEMBLE MEDIA MOUNT INSIDE AS SHOWN



PLACE THIS PART USED TO MAKE MQ-POD1 1x1 PODIUM PODIUM IN FRONT OF FLOORSPACE AS SHOWN



GRAPHIC LAYOUT



Expo EX PO Displays
A Division of Diamond Displays International

3401 Mary Taylor Road
Birmingham, Alabama 35235
(205) 439-8200

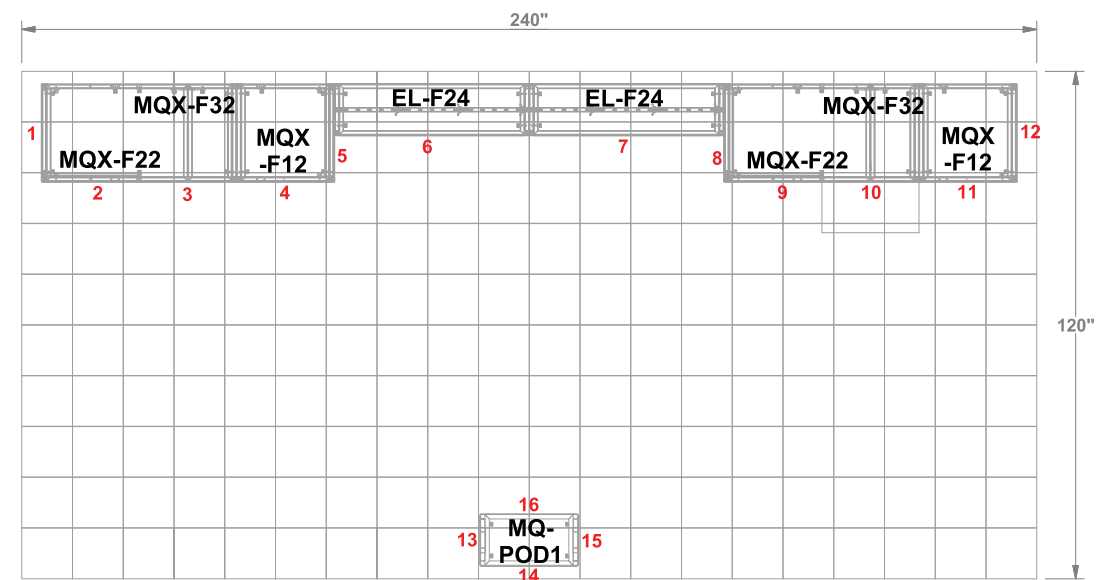
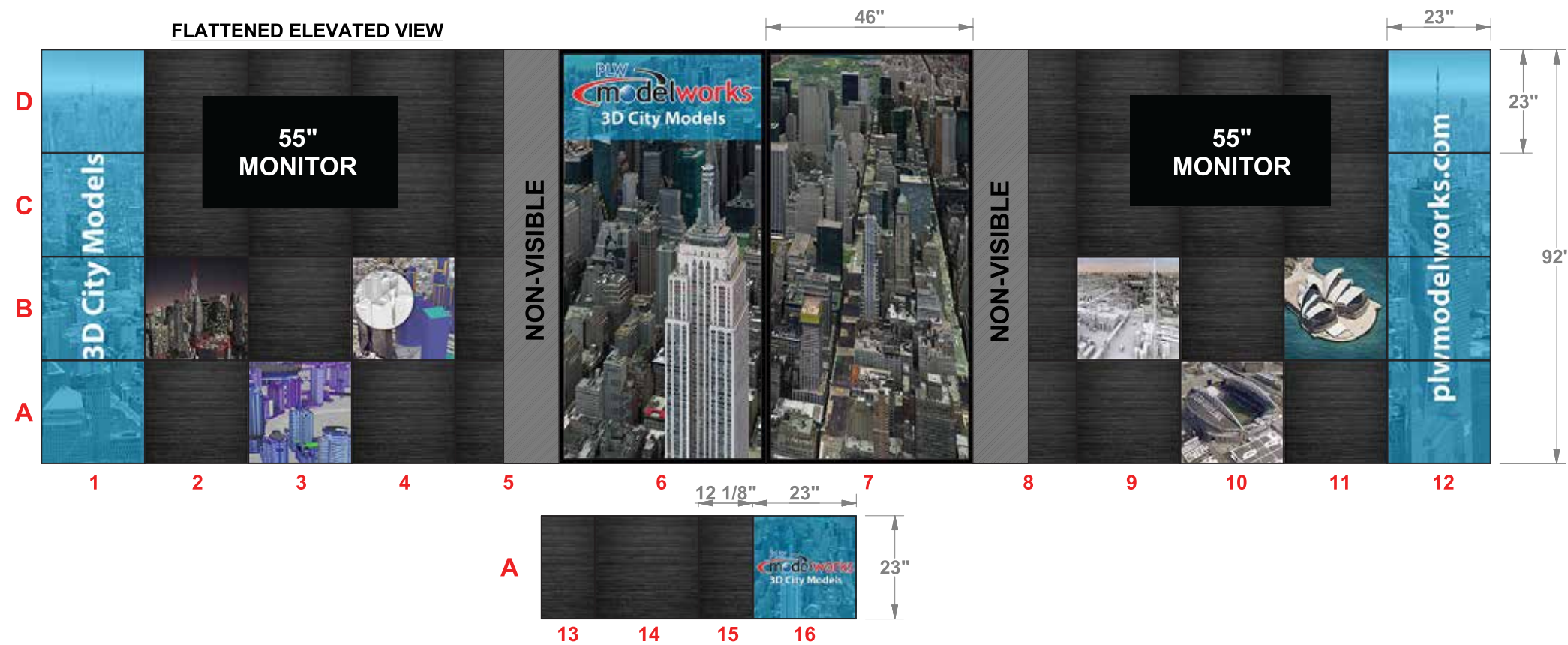
Job #: 74787

Project Title






10x20 MULTIQUAD®

Sheet Title

ASSEMBLY
INSTRUCTIONS
GRAPHIC LAYOUT



ELECTRICAL REQUIREMENTS

	POWER ADAPTER CORD
	EXTENSION CORD
	TV POWER CORD
	POWER "SQUID"
	POWER DROP



POWER ADAPTER
(PROVIDED)



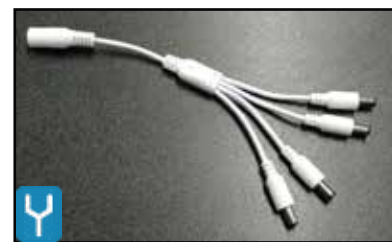
AC ADAPTER



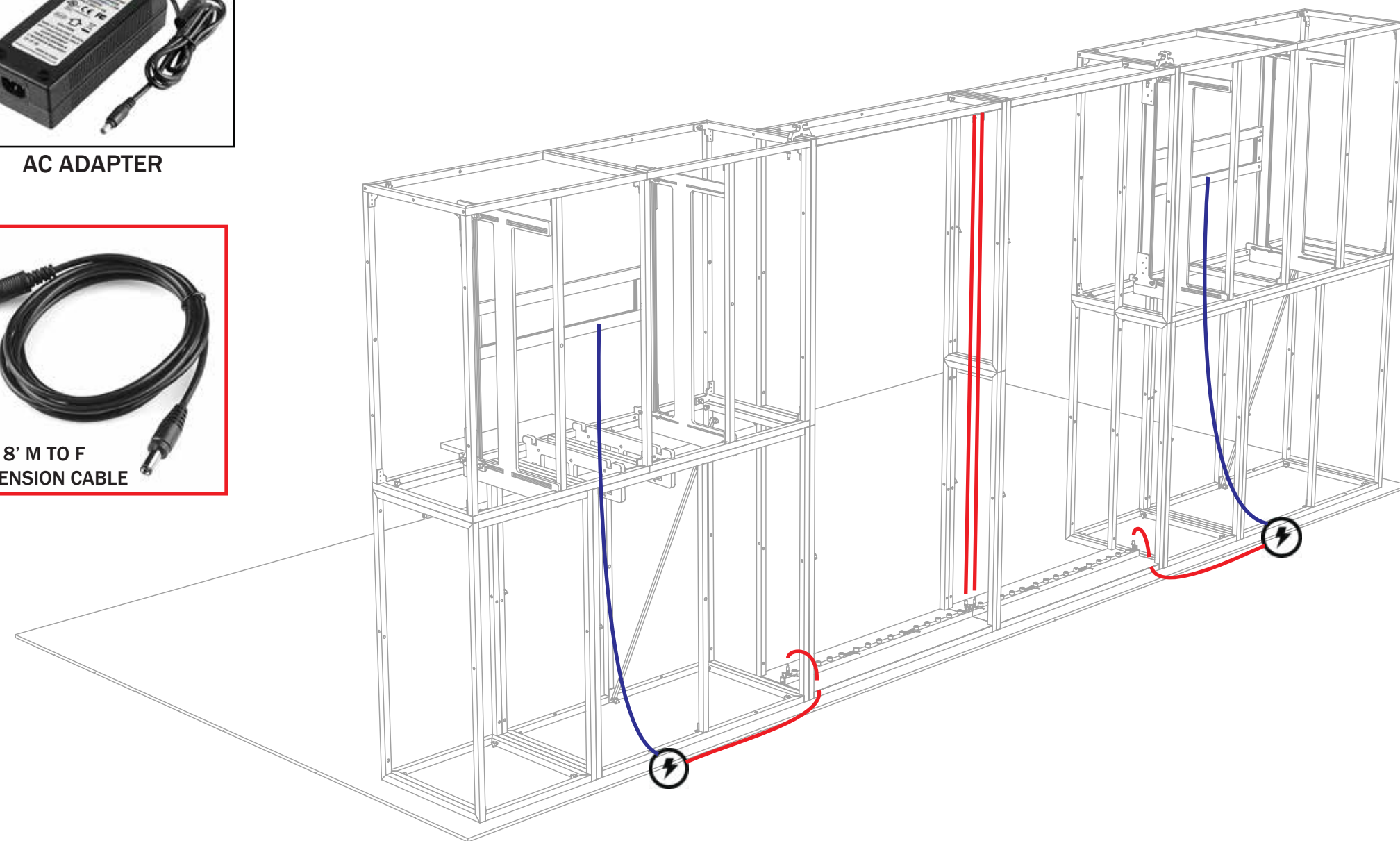
POWER "SQUID"
(PROVIDED)



8' M TO F
EXTENSION CABLE



4 - WAY WHITE DC SPLITTER
(PROVIDED)



Expo EXPO Displays
A Division of Diamond Displays International

3401 Mary Taylor Road
Birmingham, Alabama 35235
(205) 439-8200

Job #: 74787

Project Title

10x20 MULTIQAD®

Sheet Title

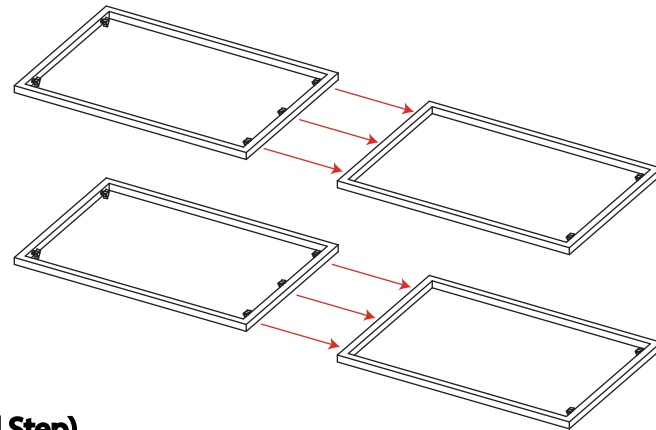
**ASSEMBLY
INSTRUCTIONS
ELECTRICAL
REQUIREMENTS**

PARTS LIST:

#	LABEL	NAME
1	LVRX1	LEFT VERTICAL RECTANGLE
1	RVRX1	RIGHT VERTICAL RECTANGLE
1	BHRX2	BOTTOM HORIZONTAL RECT.
1	THR2	TOP HORIZONTAL RECTANGLE
4	CVP1	CENTER VERTIVCAL POST
14	RED	2" THUMB SCREWS
8	GRN	1" THUMB SCREWS

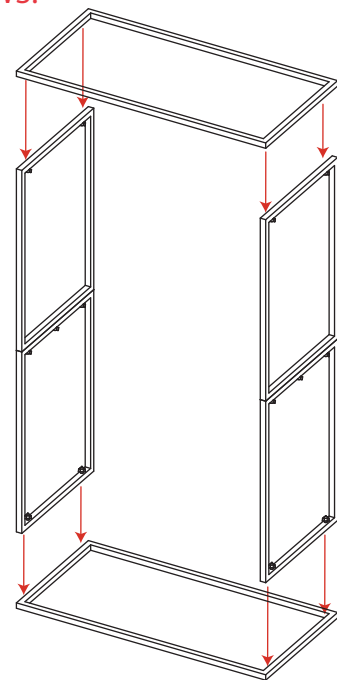
1st Step)

CONNECT THE TWO (2) THR2 AND THE TWO (2) BHRX2 USING THE RED THUMB SCREWS.



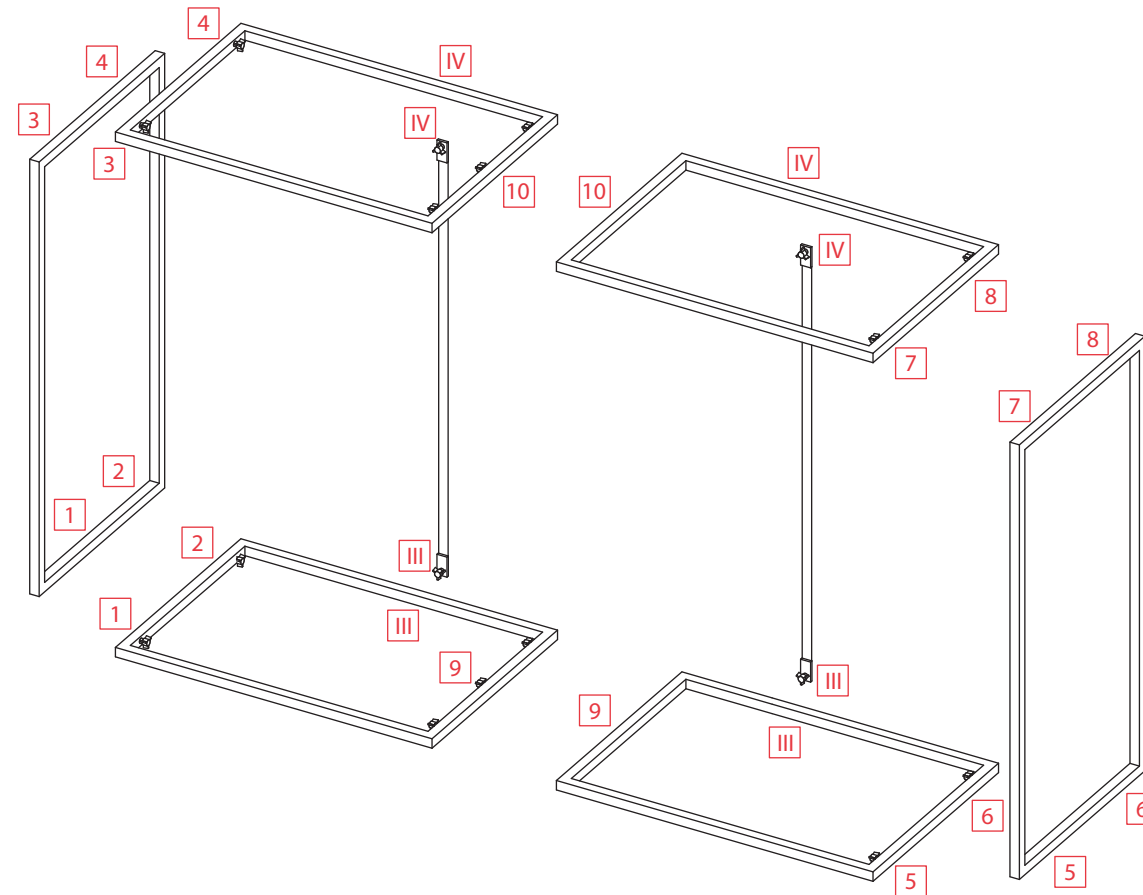
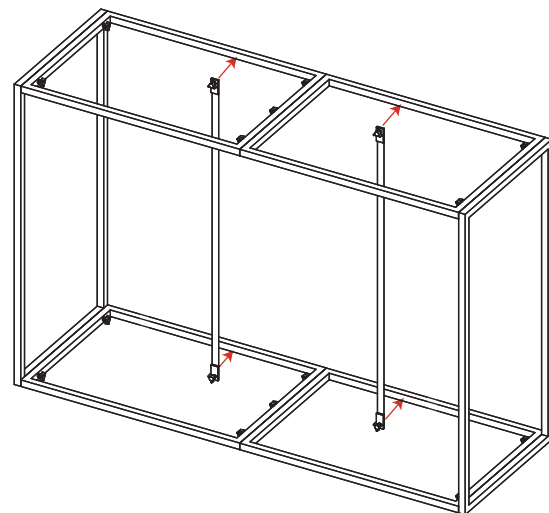
2nd Step)

PLACE THE LVRX1 ON THE GROUND AND CONNECT THE THR2 AND BHRX2 FROM STEP 1 USING THE RED THUMB SCREWS.



3rd Step)

ATTACH THE FOUR (4) CVP1 PIECES USING THE GREEN THUMB SCREWS.



*MATCH NUMBERS TO CONSTRUCT.



Expo EX PO Displays
A Division of Diamond Displays International

3401 Mary Taylor Road
Birmingham, Alabama 35235
(205) 439-8200

Drawn By: SH

THIS PART USED TO MAKE
MQX-F32
3x2 MAX FRAME

Sheet Title

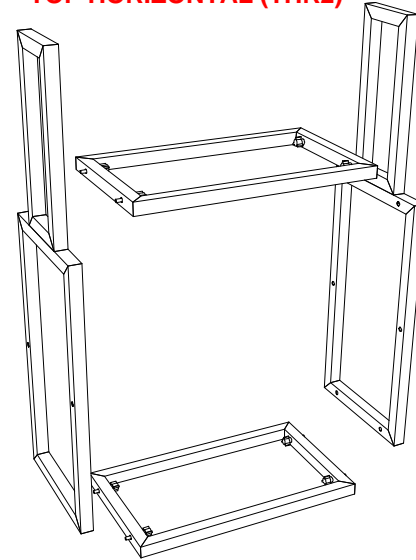
**ASSEMBLY
INSTRUCTIONS**
3x2 MAX FRAME
MQX- F32

APPENDIX AA

PARTS LIST		
QNTY	LABEL	NAME
1	LVP1	LEFT VERTICAL RECTANGLE
1	RVP1	RIGHT VERTICAL RECTANGLE
1	BHR2	BOTTOM HORIZONTAL RECT.
1	THR2	TOP HORIZONTAL RECT.
1	SSPOD1	SHELF
1	CTPOD1	PODIUM COUNTER TOP
12	RED	2" RED THUMB SCREW

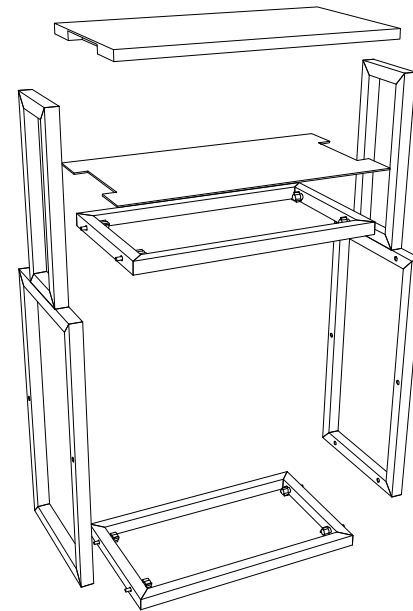
1st Step)

START WITH THE BOTTOM HORIZONTAL (BHR2) ON THE GROUND. ATTACH THE LEFT VERTICAL (LVP1), AND THE RIGHT VERTICAL (RVP1). THEN ATTACH THE TOP HORIZONTAL (THR2)



2nd Step)

ATTACH THE PODIUM COUNTERTOP AND THE PODIUM SHELF

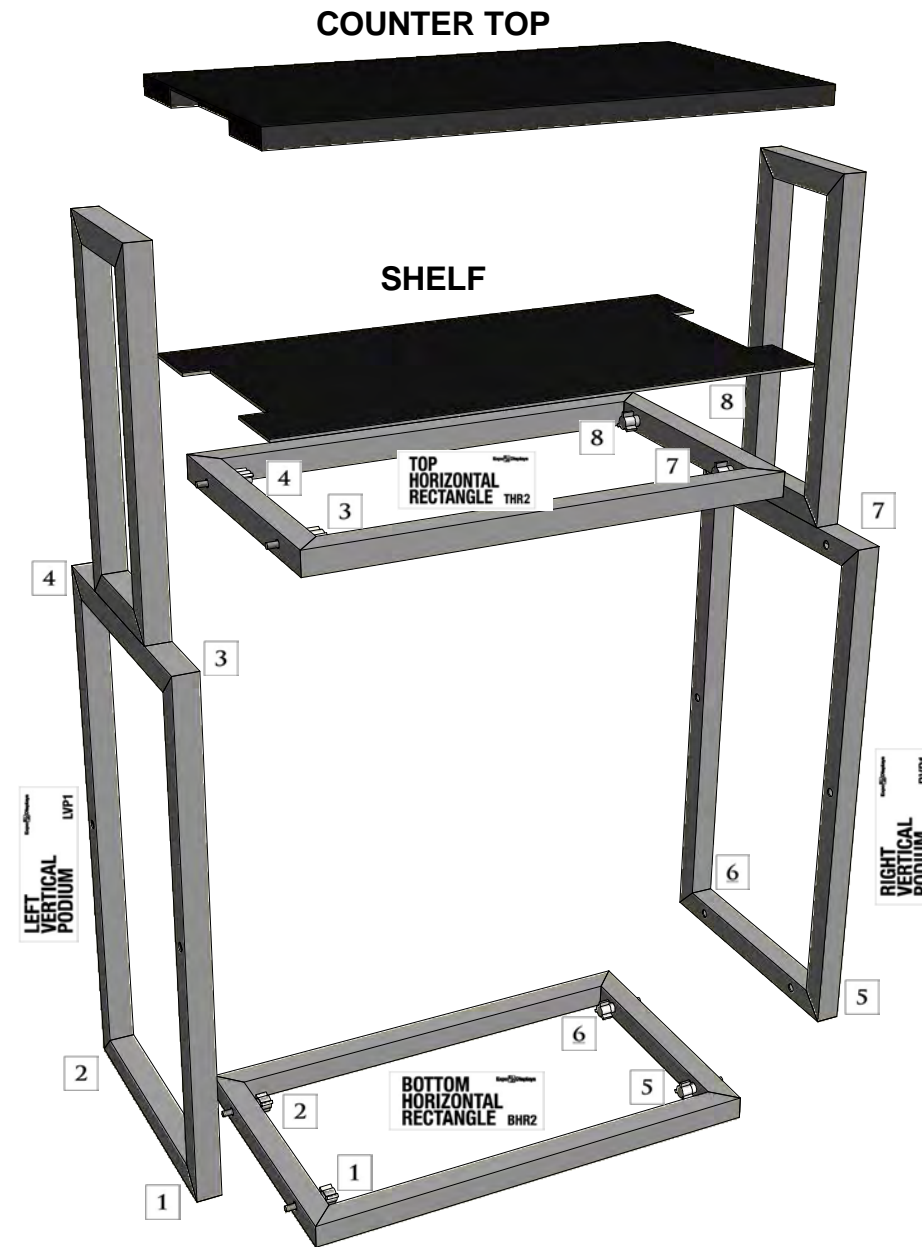


Joining Multiple Podiums)

ATTACH MULTIPLE PODIUMS BY RUNNING THE 2" RED THUMBSCREWS THROUGH THE OPEN HOLES OF ONE PODIUM INTO THE THREADED INSERTS OF ANOTHER



***MATCH NUMBERS TO CONSTRUCT**



Expo Displays

3401 Mary Taylor Road
Birmingham, Alabama 35235
(205) 439-8200

Drawn By: AKHIII

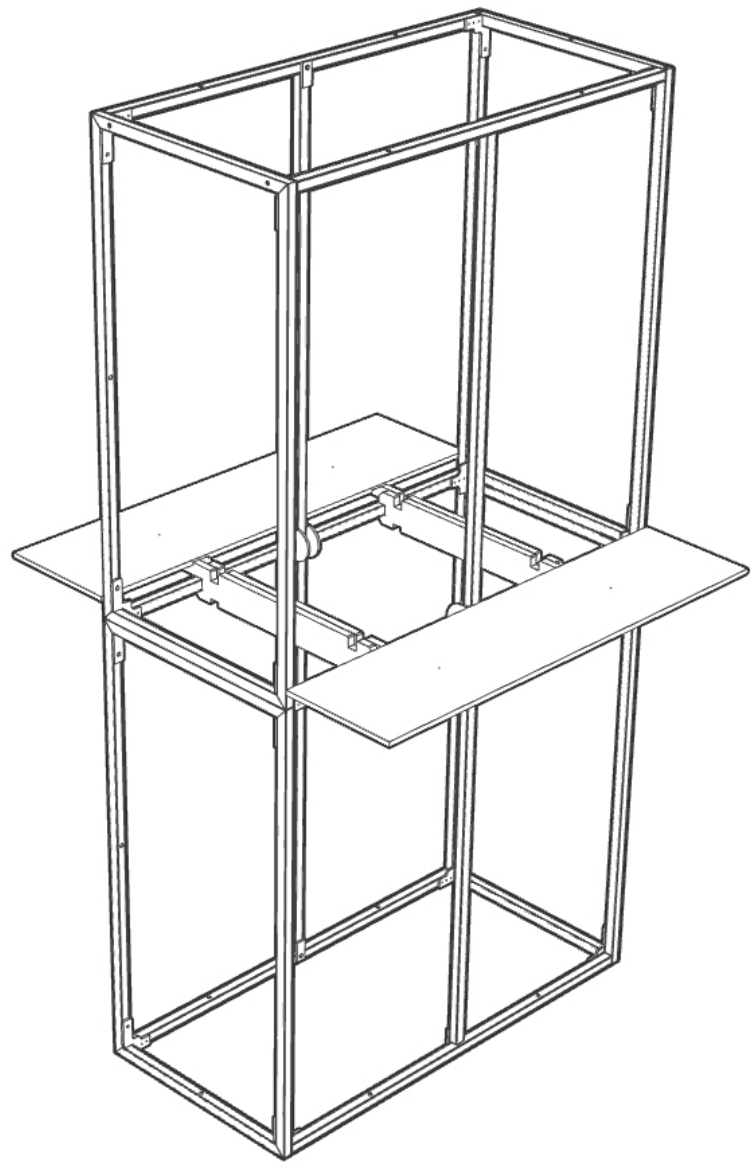
THIS PART USED TO MAKE
MQ-POD1
1x1 PODIUM

ASSEMBLY INSTRUCTIONS
1x1 STANDARD PODIUM
MQ-POD1

APPENDIX F

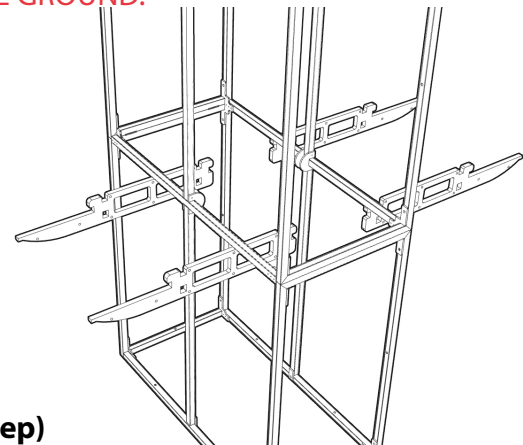
PARTS LIST:

#	LABEL	NAME
1	MQX-F24	2X4 MAX FRAME
2	MQX-SH46	46 INCH SHELF ASSEMBLY



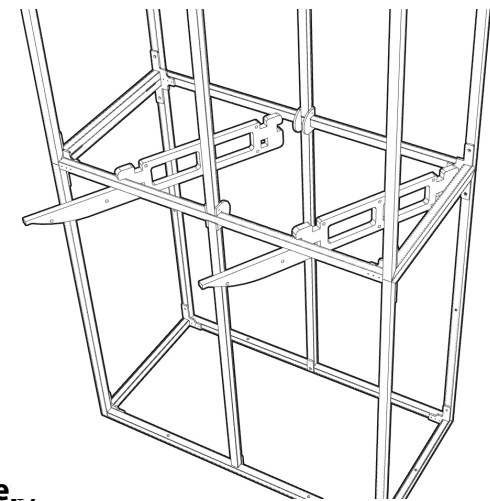
1st Step)

STARTING WITH AN ASSEMBLED 2X4 MAX FRAME (MQX-F24) ARRANGE (2 OR 4) SHELF ARMS (MQXP-SA46) TO THE MIDSECTION OF THE FRAME. ON THE GROUND.



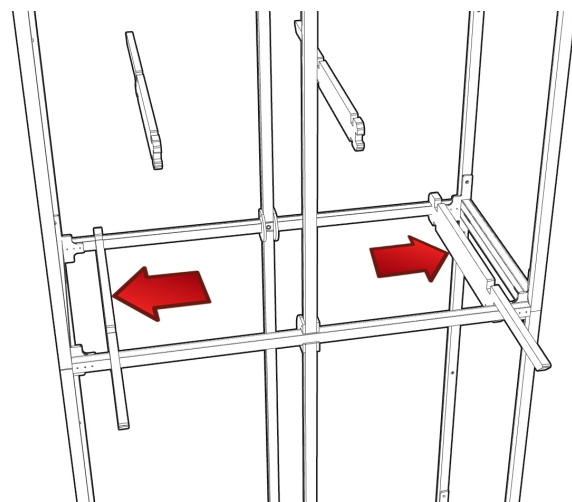
2nd Step)

PLACE THE MQ MEDIA SHELF ARMS (MQXP-SA46) ONTO THE FRAME CLAMPING DOWN ON THE FRONT AND BACK OF THE FRAME.



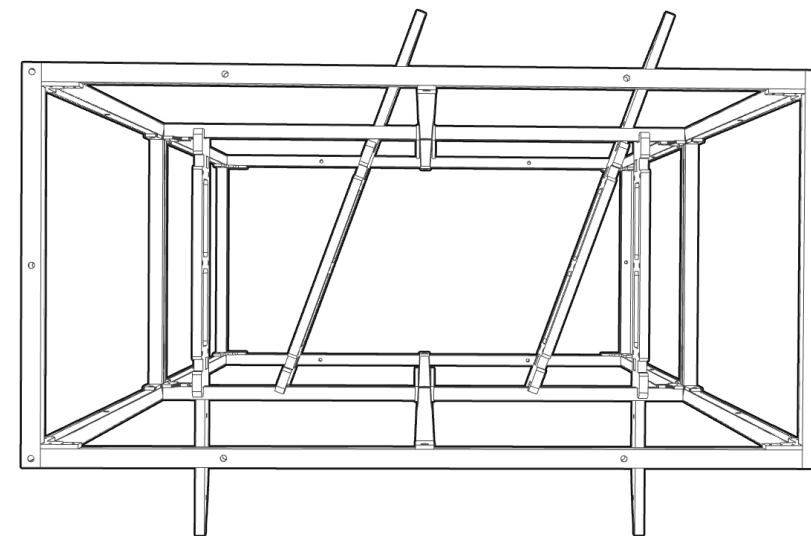
3rd Step)

IN ORDER TO MAKE ROOM FOR THE 2ND SET OF ARMS (MQXP-SA46) - PUSH THE EXISTING ARMS TO THE SIDES OF THE MQ FRAME (MQX-F24)



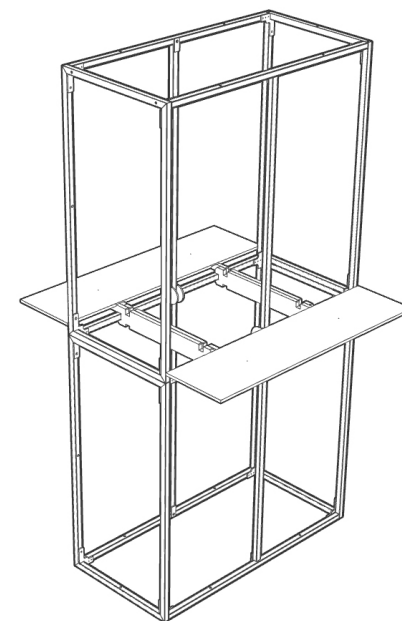
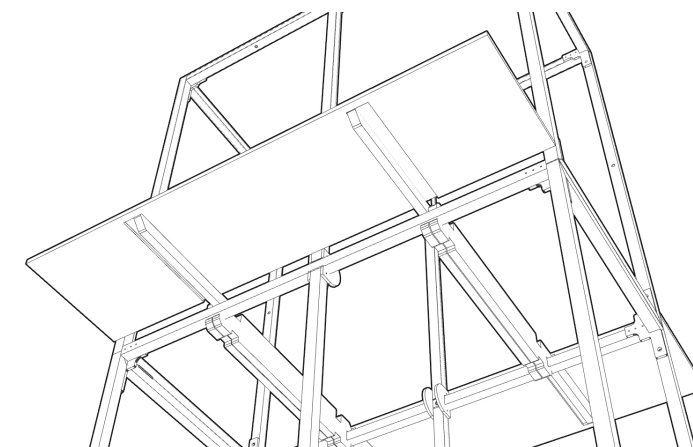
4th Step)

REPEAT THE PREVIOUS STEP SECURING THE ARMS TO THE FRAME.



5th Step)

ADD THE SHELF (MQP-SCT46) ONTO THE ARMS.



Expo EX PO Displays
A Division of Diamond Displays International

3401 Mary Taylor Road
Birmingham, Alabama 35235
(205) 439-8200

Drawn By: NRIMSAND

THIS PART USED TO MAKE
MQX-SH46
MQ-MAX SHELF 46"

Sheet Title

**ASSEMBLY
INSTRUCTIONS**

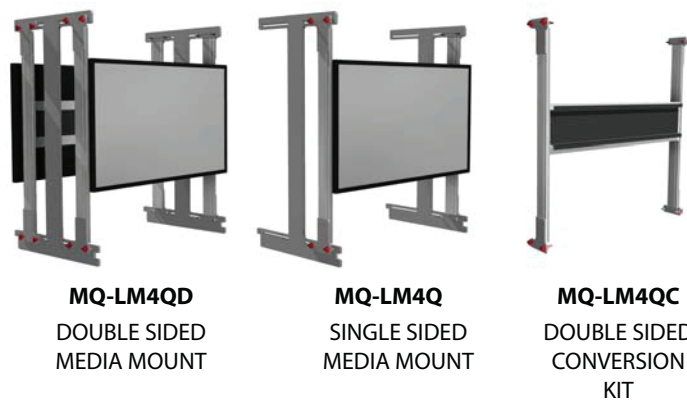
**MQX-SH46
MULTIQUAD SHELF 46IN**

PARTS LIST:

#	LABEL	NAME
1	MQ-LM4QD	MAX MEDIA MOUNT

1st Step)

THIS SET OF ASSEMBLY INSTRUCTIONS FOCUSES ON THE DOUBLE SIDED MOUNT (MQ-LM4QD). THE SAME PROCEDURES APPLY WHEN SETTING UP THE SINGLE SIDED (MQ-LM4Q) AND THE DOUBLE SIDED CONVERSION KIT (MQ-LM4QC)



THESE MOUNTS ARE COMPATIBLE WITH MQX-F24 MULTIQUAD® FRAMES.

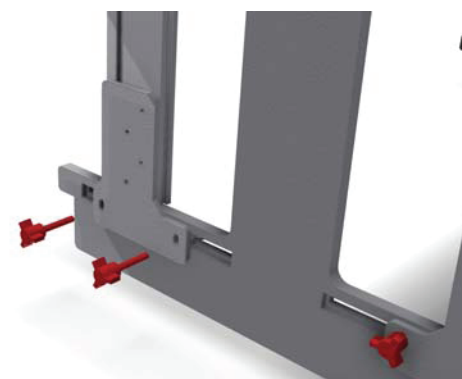


2nd Step)

AN M10 HEX KEY WILL BE INCLUDED WITH THE MOUNT THAT WILL BE USED TO FASTEN THE EXTRUSIONS TOGETHER.

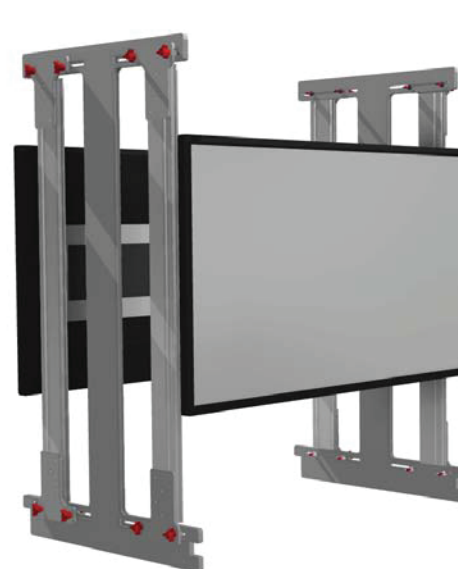


USE THE M10 HEX KEY TO TIGHTEN THE LOCKS THAT ATTACH THE VESA TV MOUNT TO THE ARMS.



ATTACH THE ASSEMBLED ARMS TO THE "I" SHAPED CENTER VERTICAL SUPPORT USING THE PROVIDED RED THUMBSCREWS AND WING NUTS.

NOTE: EXPDISPLAYS® WILL OFTEN ADD ARROWS ON THE EXTRUSIONS TO INDICATE THE IDEAL LOCATION OF THE MONITORS. SIMPLY CONNECT THE ARROWS.



5th Step)

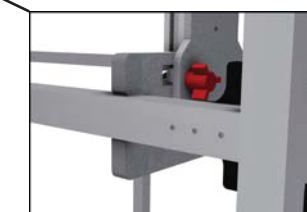
GENTLY TILT THE UNIT'S FRONT ONTO THE FRONT OF THE FRAME. THE MOUNT IS NOW SECURE INSIDE THE FRAME.



EXPO MultiQuad
An ExpoDisplays Product

4th Step)

LINE THE MONITOR'S CENTER WITHIN THE CENTER OF THE FRAME. THEN GENTLY HOOK THE UNIT'S BACK ONTO THE FRAME



THE "I" SHAPED CENTER HOOKS ONTO THE BACK OF THE MQXF24 FRAME.



Expo Displays
A Division of Diamond Displays International

3401 Mary Taylor Road
Birmingham, Alabama 35235
(205) 439-8200

Drawn By: NRIMSAND



Sheet Title

**ASSEMBLY
INSTRUCTIONS
MAX MEDIA MOUNT**

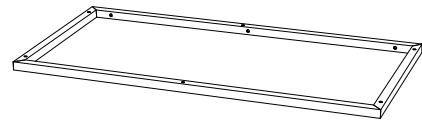
APPENDIX J7

ONCE SECURE THE MEDIA MOUNT IS READY TO HOLD YOUR 42" LCD OR PLASMA DISPLAY.

PARTS LIST		
QNTY	LABEL	NAME
1	LVRX1	LEFT VERTICAL RECTANGLE
1	RVRX1	RIGHT VERTICAL RECTANGLE
1	BHRX1	BOTTOM HORIZONTAL RECT.
1	THRX1	TOP HORIZONTAL RECT.
2	CVH2	CENTER VERTICAL HALF
4	GRN	1" GREEN THUMB SCREW
8	RED	2" RED THUMB SCREW
1	CT2346	COUNTERTOP FOR MQX-F22C

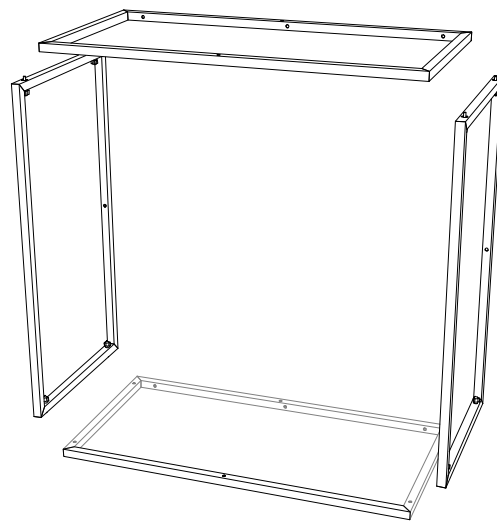
1st Step)

START WITH THE LEFT VERTICAL (LVRX1) ON THE GROUND



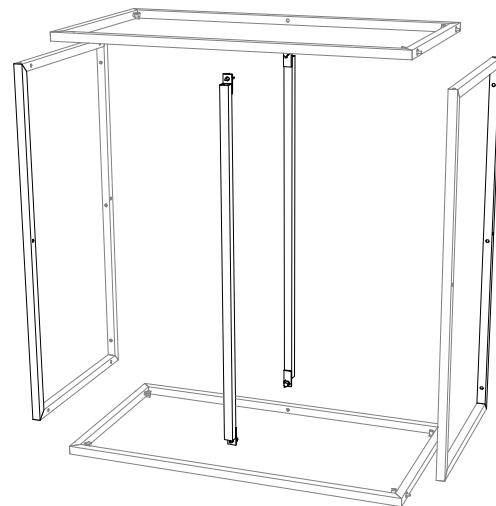
2nd Step)

ATTACH THE TOP HORIZONTAL (THR1), THE BOTTOM HORIZONTAL (BHRX1), AND THE OTHER RIGHT VERTICAL (RVRX1)



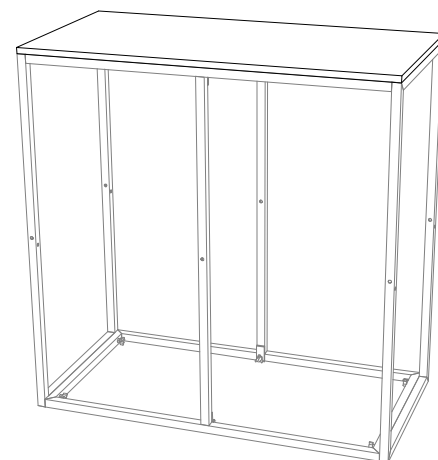
3rd Step)

ROTATE AND ATTACH THE (2) CENTER VERTICAL (CVH2)

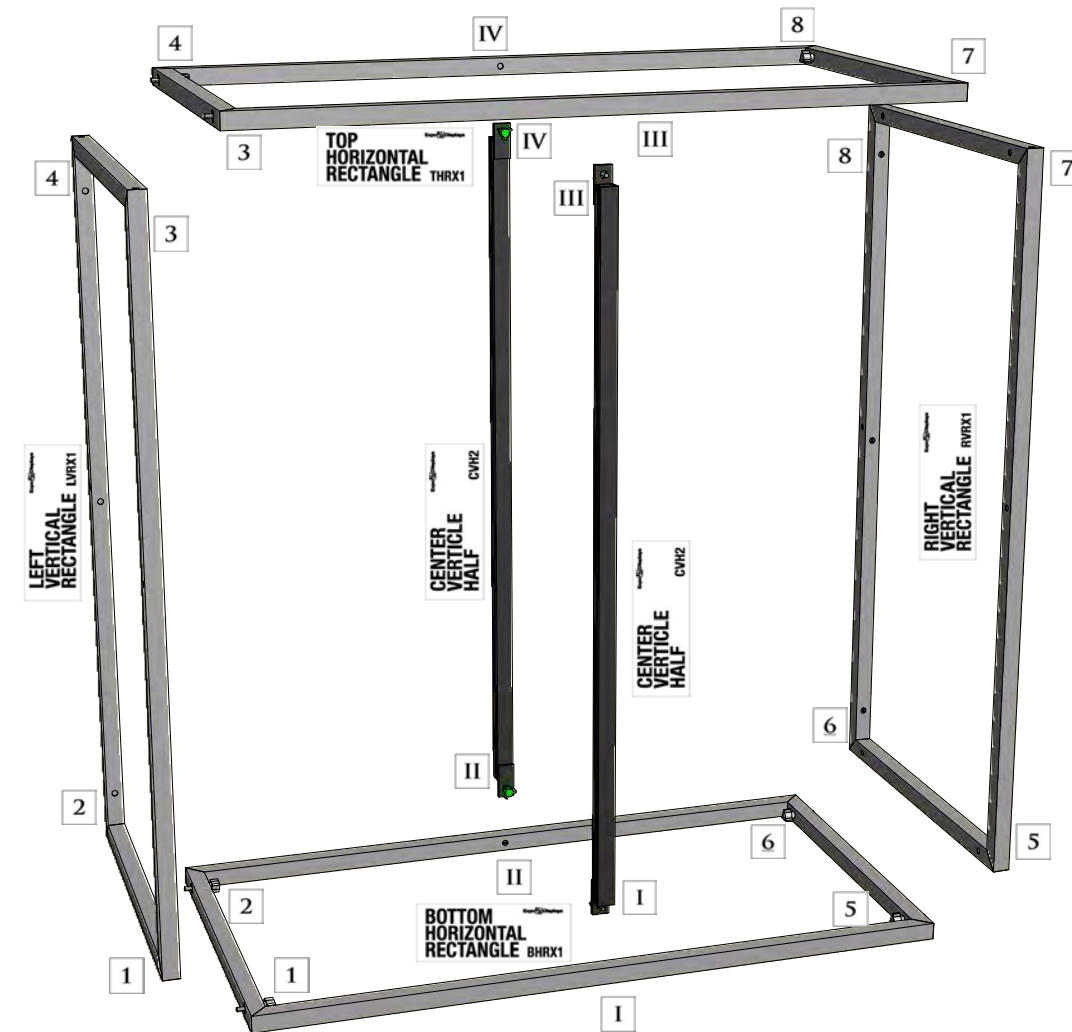


4th Step)

ATTACH THE COUNTERTOP IF NEEDED



***MATCH NUMBERS TO CONSTRUCT**



Expo Displays

3401 Mary Taylor Road
Birmingham, Alabama 35235
(205) 439-8200

Drawn By: AKHIII

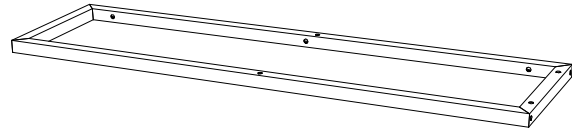
THIS PART USED TO MAKE
MQX-F22
2x2 MAX FRAME

ASSEMBLY INSTRUCTIONS
2x2 MAX FRAME
MQX-F22

APPENDIX L

1st Step)

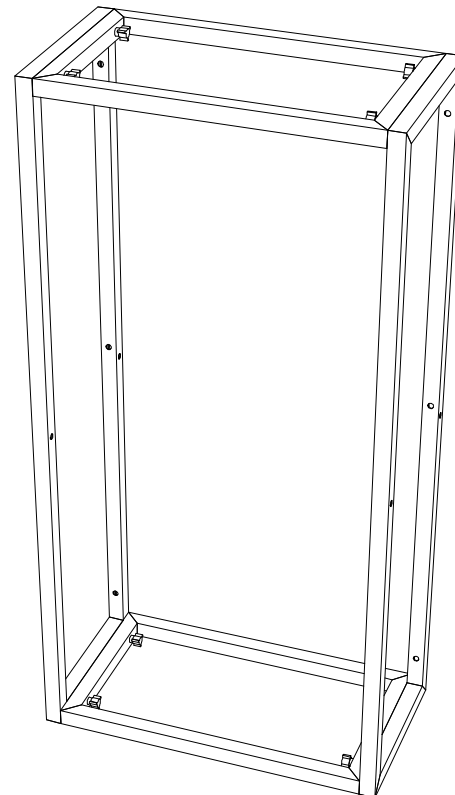
START WITH THE LEFT VERTICAL RECTANGLE (LVR1) ON THE GROUND



PARTS LIST		
QNTY	LABEL	NAME
1	LVRX1	LEFT VERTICAL RECTANGLE
1	RVRX1	RIGHT VERTICAL RECTANGLE
1	BHRX2	BOTTOM HORIZONTAL RECT.
1	THRX2	TOP HORIZONTAL RECT.
8	RED	2" RED THUMB SCREW

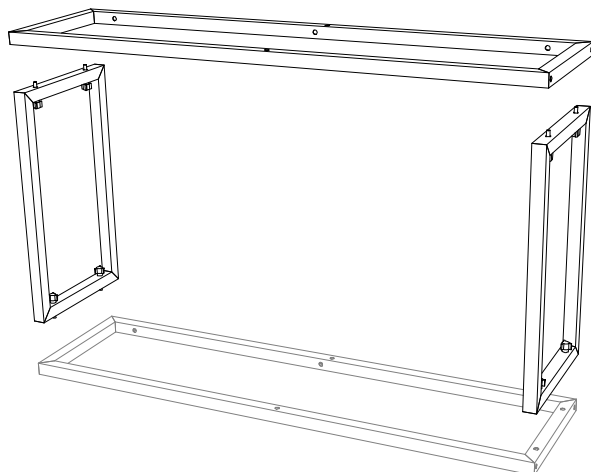
3rd Step)

STAND UP RIGHT

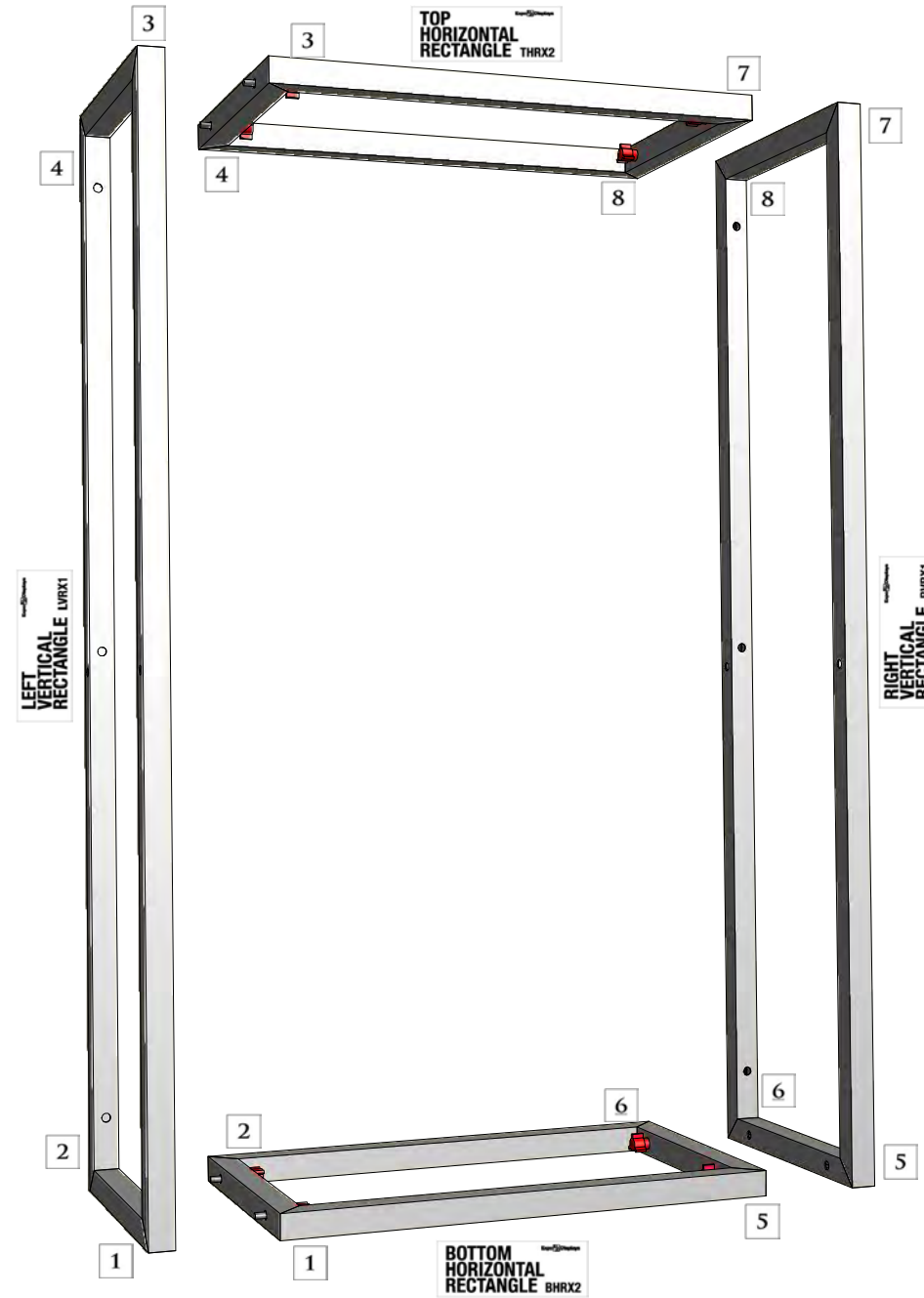


2nd Step)

ATTACH THE TOP & BOTTOM HORIZONTAL (THR2, BHR2), THEN ATTACH THE RIGHT VERTICAL RECTANGLE



*MATCH NUMBERS TO CONSTRUCT



Expo Displays

3401 Mary Taylor Road
Birmingham, Alabama 35235
(205) 439-8200

Drawn By: AKHIII

THIS PART USED TO MAKE
MQX-F12
1x2 MAX FRAME

ASSEMBLY INSTRUCTIONS

1x2 MAX FRAME
MQX-F12

APPENDIX V