

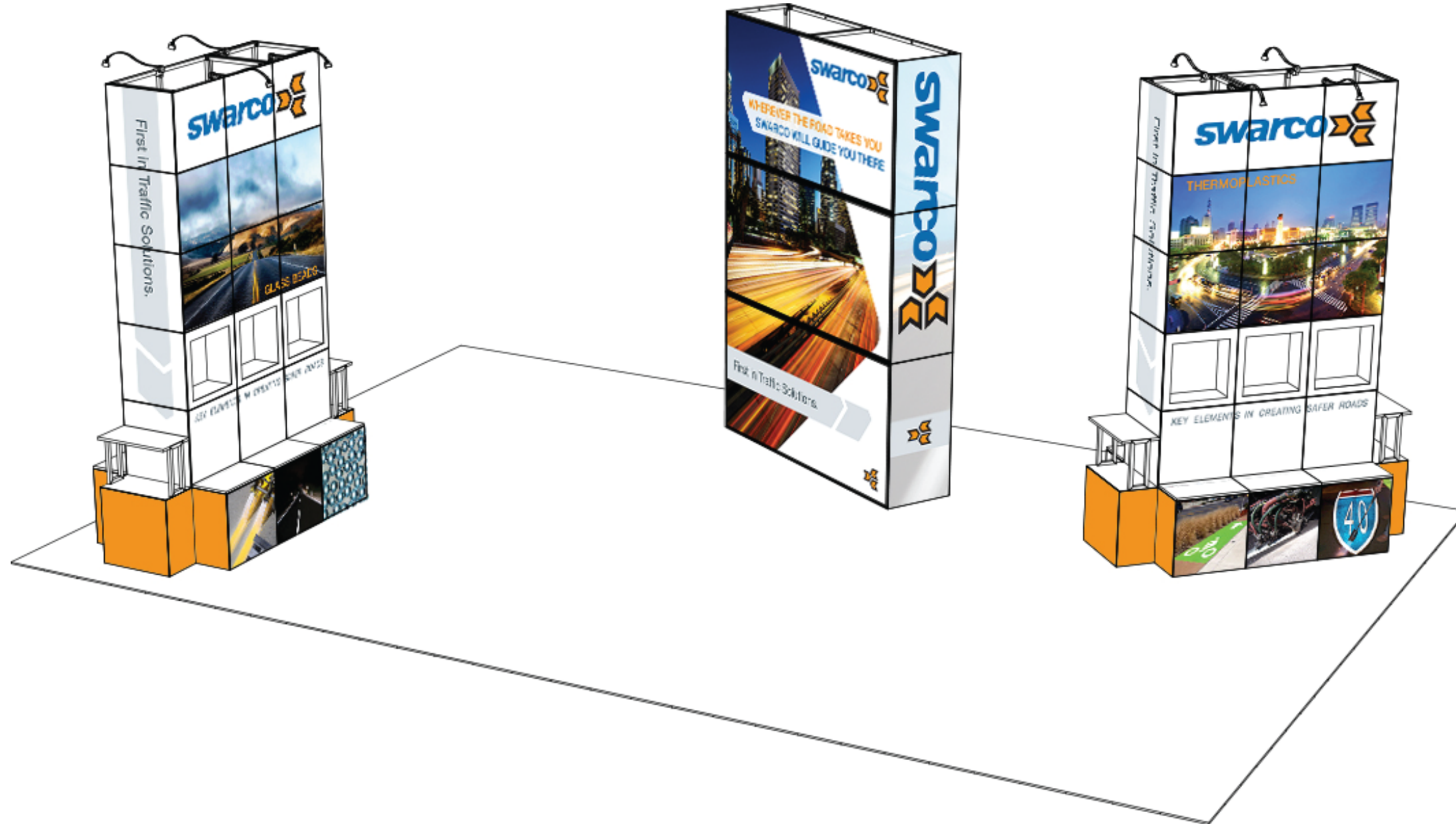
WHEN ASSEMBLING **EXPO MultiQuad**

REMEMBER YOUR **ABC**'s...

**A**SSEMBLE EACH COMPONENT SEPARATELY

**B**UILD THE DESIRED LAYOUT

**C**OVER YOUR MULTIQUAD LAYOUT WITH QUADS



**EXPO MultiQuad**<sup>®</sup>  
An ExpoDisplays Product

**SWARCO**  
20 x 30 Custom MultiQuad<sup>®</sup>

**EXPO**

Expo **EXPO** Displays<sup>®</sup>  
A Division of Diamond Displays International

3401 Mary Taylor Road  
Birmingham, Alabama 35235  
(205) 439-8200

Job #: 70279

Project Title

20X30 MULTIQUAD<sup>®</sup>

Sheet Title

ASSEMBLY  
INSTRUCTIONS  
COVER SHEET



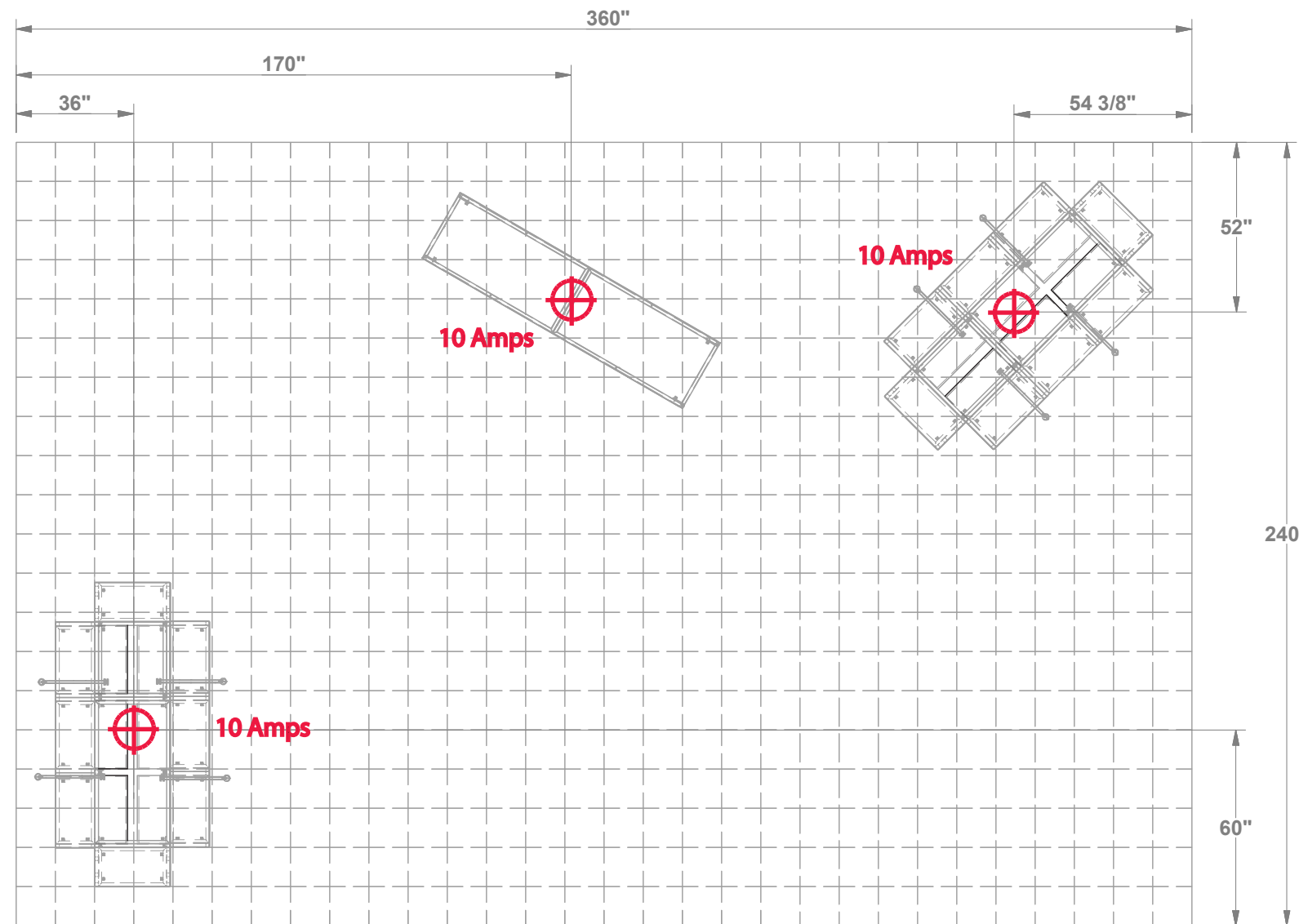
BOOTH # \_\_\_\_\_ ↗

BOOTH # ↗

BOOTH # ↗

BOOTH # \_\_\_\_\_ ↘

FRONT OF DISPLAY



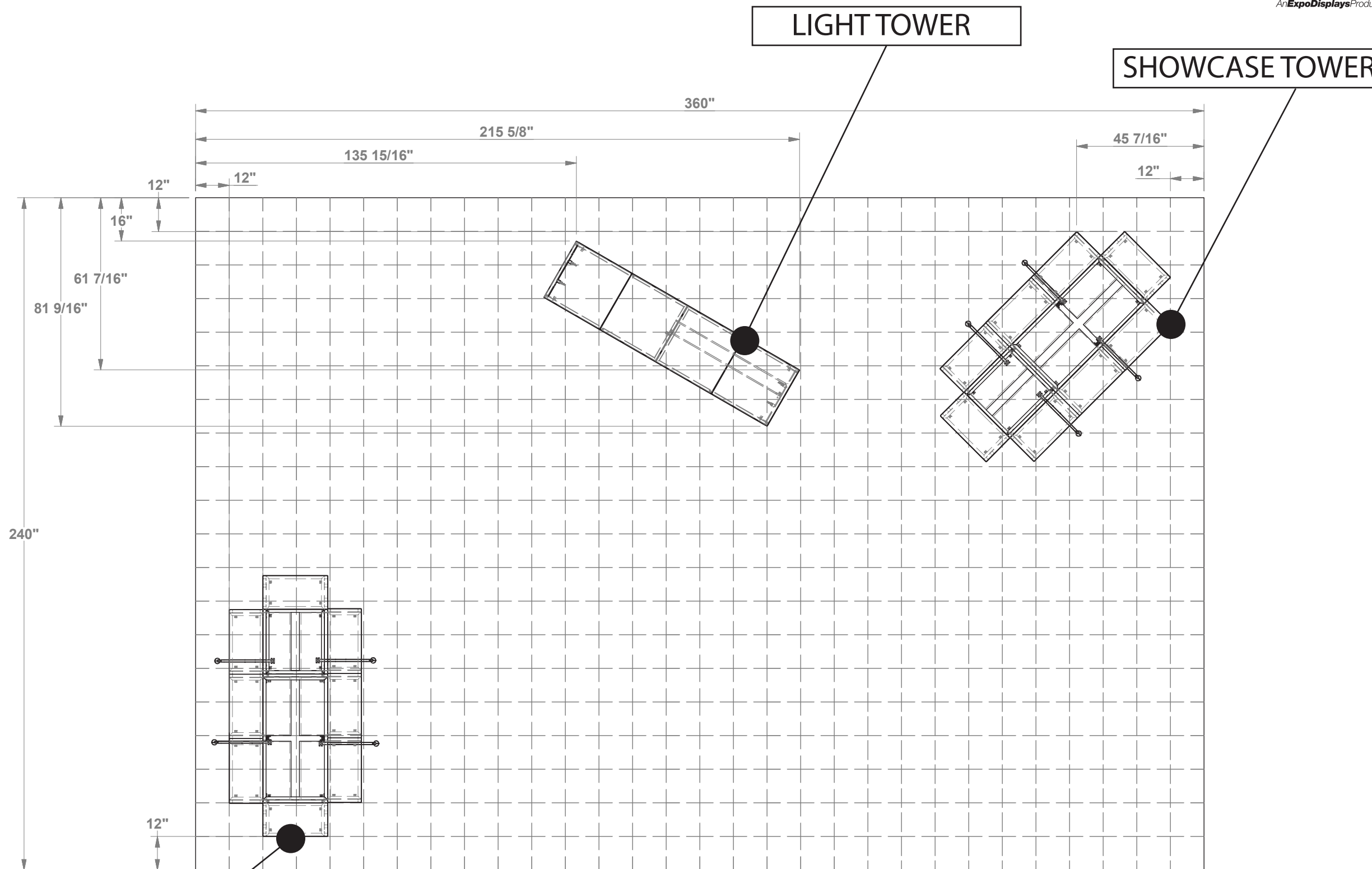
TOP VIEW

1 Square = 1'- 0"

SHOW: \_\_\_\_\_

BOOTH: \_\_\_\_\_

	MAIN ELECTRICAL DROP
	ELECTRICAL OUTLET
	POWER CORDS RUN UNDER CARPET



**Expo EX PO Displays**  
A Division of Diamond Displays International

3401 Mary Taylor Road  
Birmingham, Alabama 35235  
(205) 439-8200

Job #: 70279

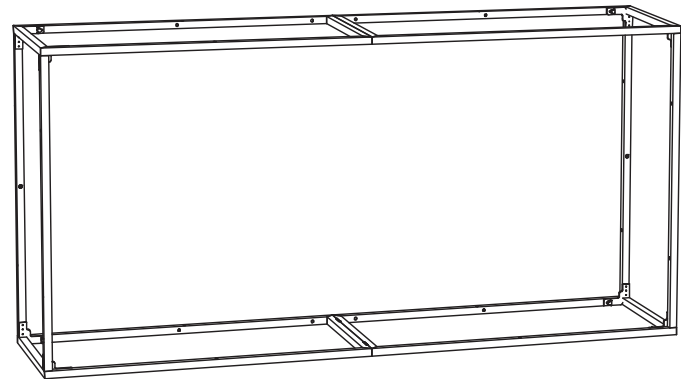
Project Title

20X30 MULTIQUAD®

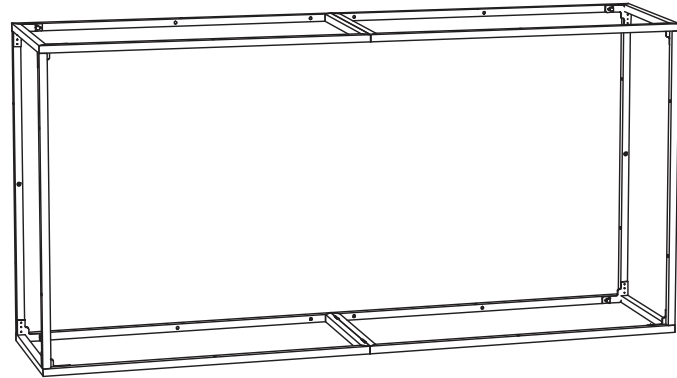
Sheet Title

ASSEMBLY  
INSTRUCTIONS  
LOCATION LAYOUT

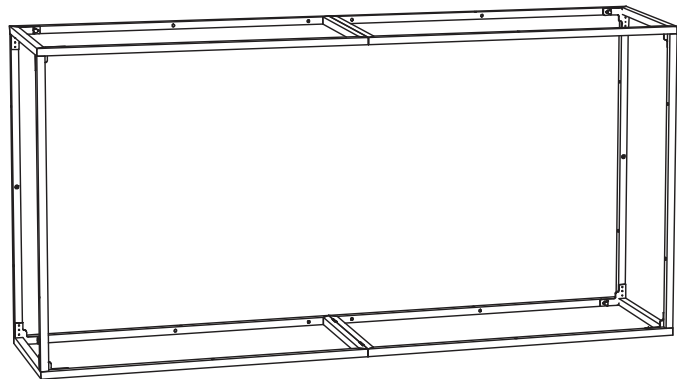
MAX FRAME  
(SEE APPENDIX J)



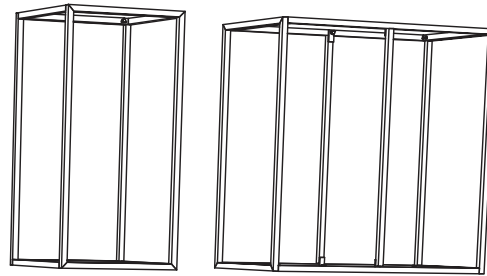
MAX FRAME  
(SEE APPENDIX J)



MAX FRAME  
(SEE APPENDIX J)



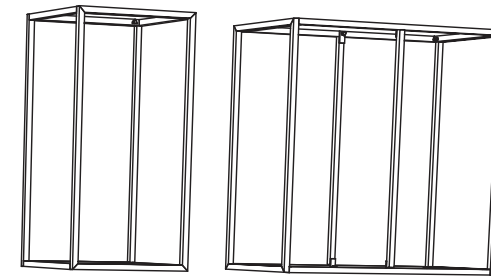
MAX FRAME  
(SEE APPENDIX V)



MAX FRAME  
(SEE APPENDIX L)



MAX FRAME  
(SEE APPENDIX V)



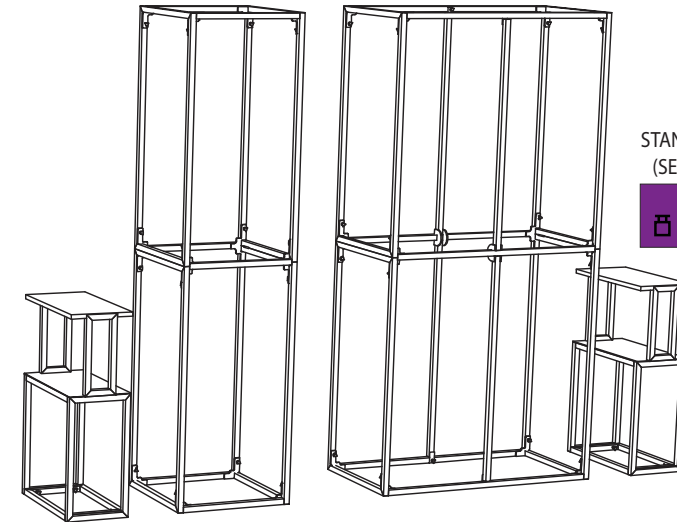
MAX FRAME  
(SEE APPENDIX L)



STANDARD PODIUM  
(SEE APPENDIX F)



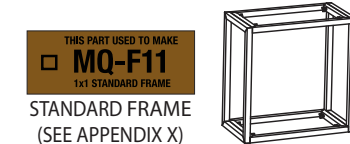
STANDARD PODIUM  
(SEE APPENDIX F)



STANDARD PODIUM  
(SEE APPENDIX F)



MAX FRAME  
(SEE APPENDIX N)



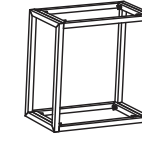
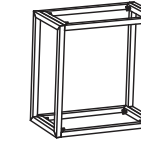
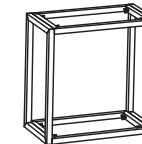
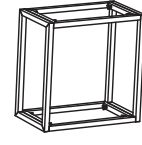
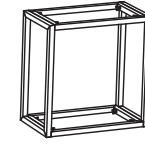
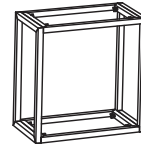
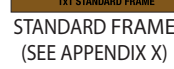
STANDARD PODIUM  
(SEE APPENDIX F)



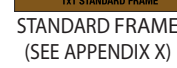
MAX FRAME  
(SEE APPENDIX N)



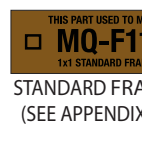
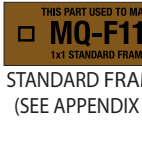
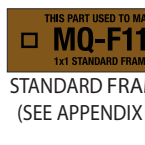
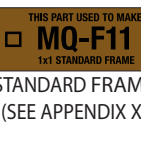
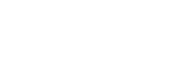
STANDARD FRAME  
(SEE APPENDIX X)



STANDARD FRAME  
(SEE APPENDIX X)



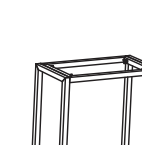
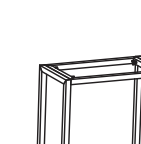
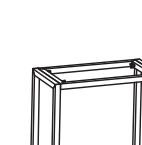
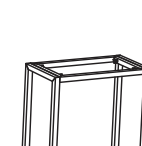
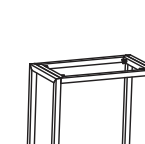
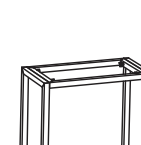
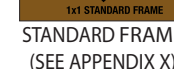
STANDARD FRAME  
(SEE APPENDIX X)



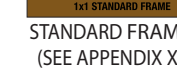
STANDARD FRAME  
(SEE APPENDIX X)



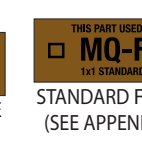
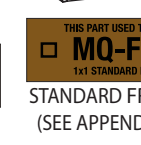
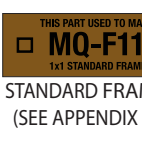
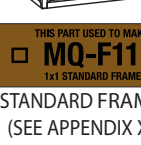
STANDARD FRAME  
(SEE APPENDIX X)



STANDARD FRAME  
(SEE APPENDIX X)



STANDARD FRAME  
(SEE APPENDIX X)



STANDARD FRAME  
(SEE APPENDIX X)



\* ASSEMBLE ALL LISTED FRAMES SEPARATELY USING APPENDIX PAGES



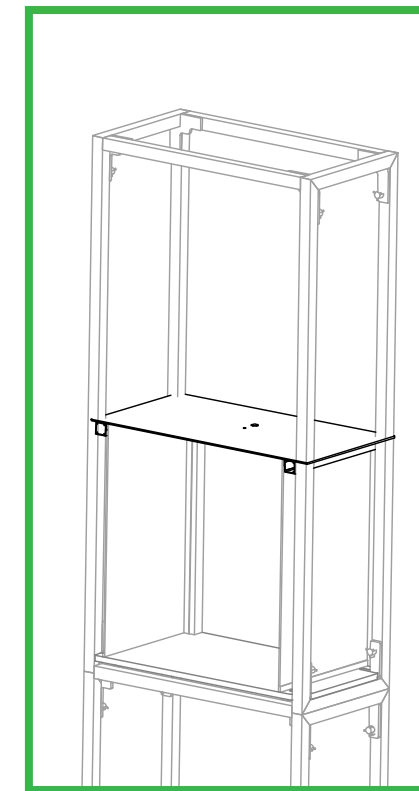
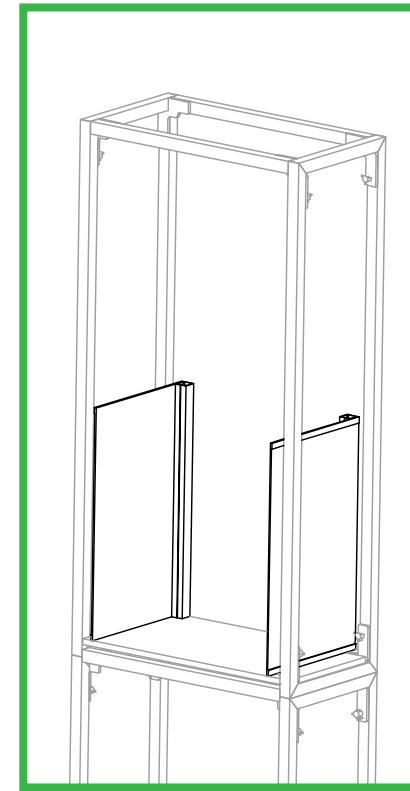
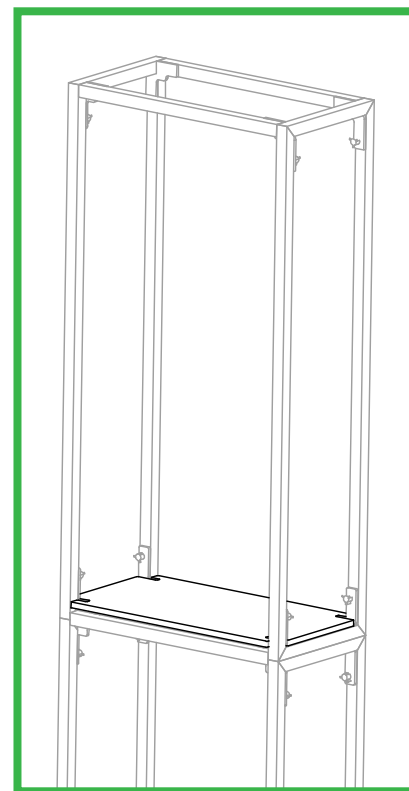
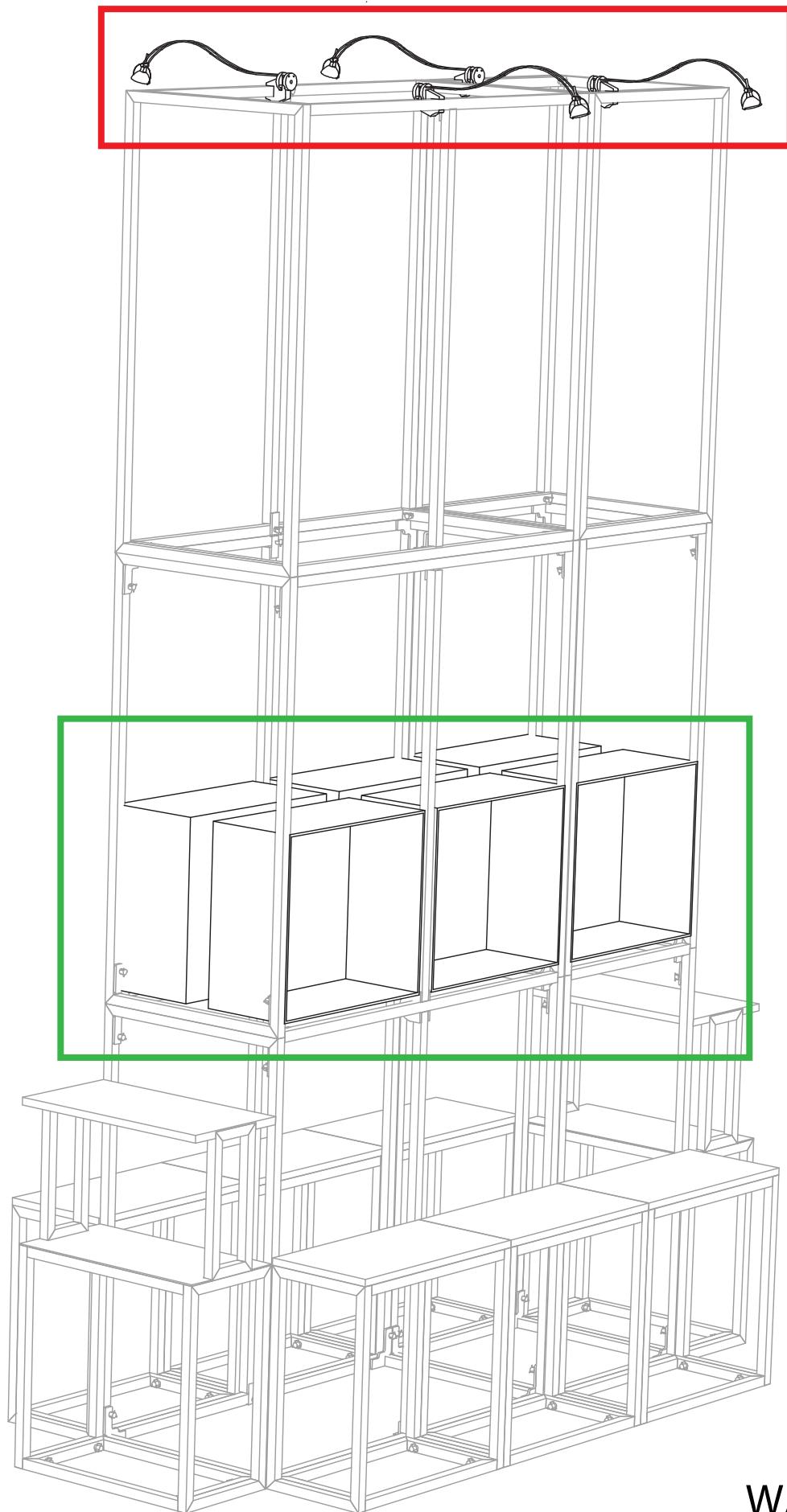
\* ATTACH ( 4 ) STEMLIGHTS  
( 2 ) ON EACH SIDE OF TOP OF  
FRAMES W / PRE-INSTALLED CLAMPS  
( SEE APPENDIX P-2 FOR DETAILS )

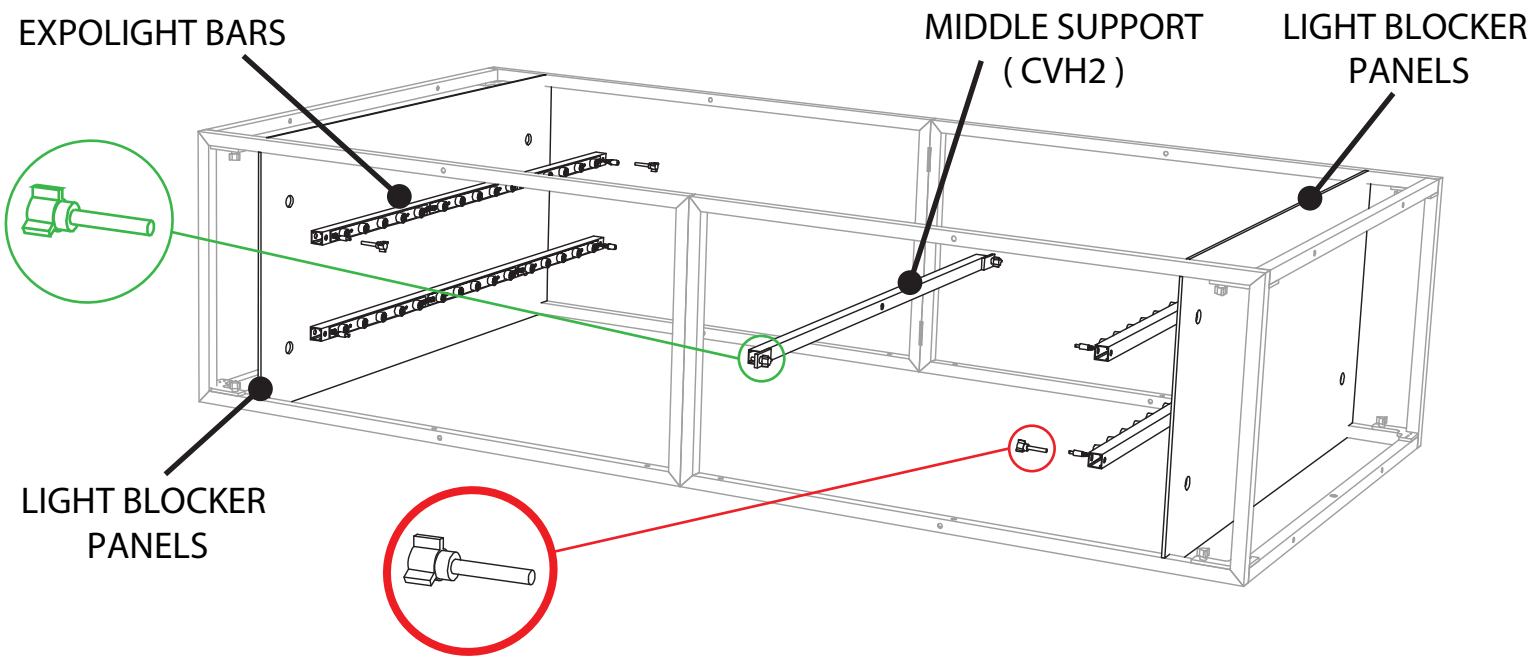
\* ASSEMBLE ( 3 ) SEE THRU SHOWCASES  
IN FRAME AS SHOWN

\* BEGIN WITH SHELF  
W/ PRE-ATTACHED BARS

\* MATCH SIDES TO  
MAGNETIC BARS

\* MATCH TOP W/  
LIGHT TO SIDES

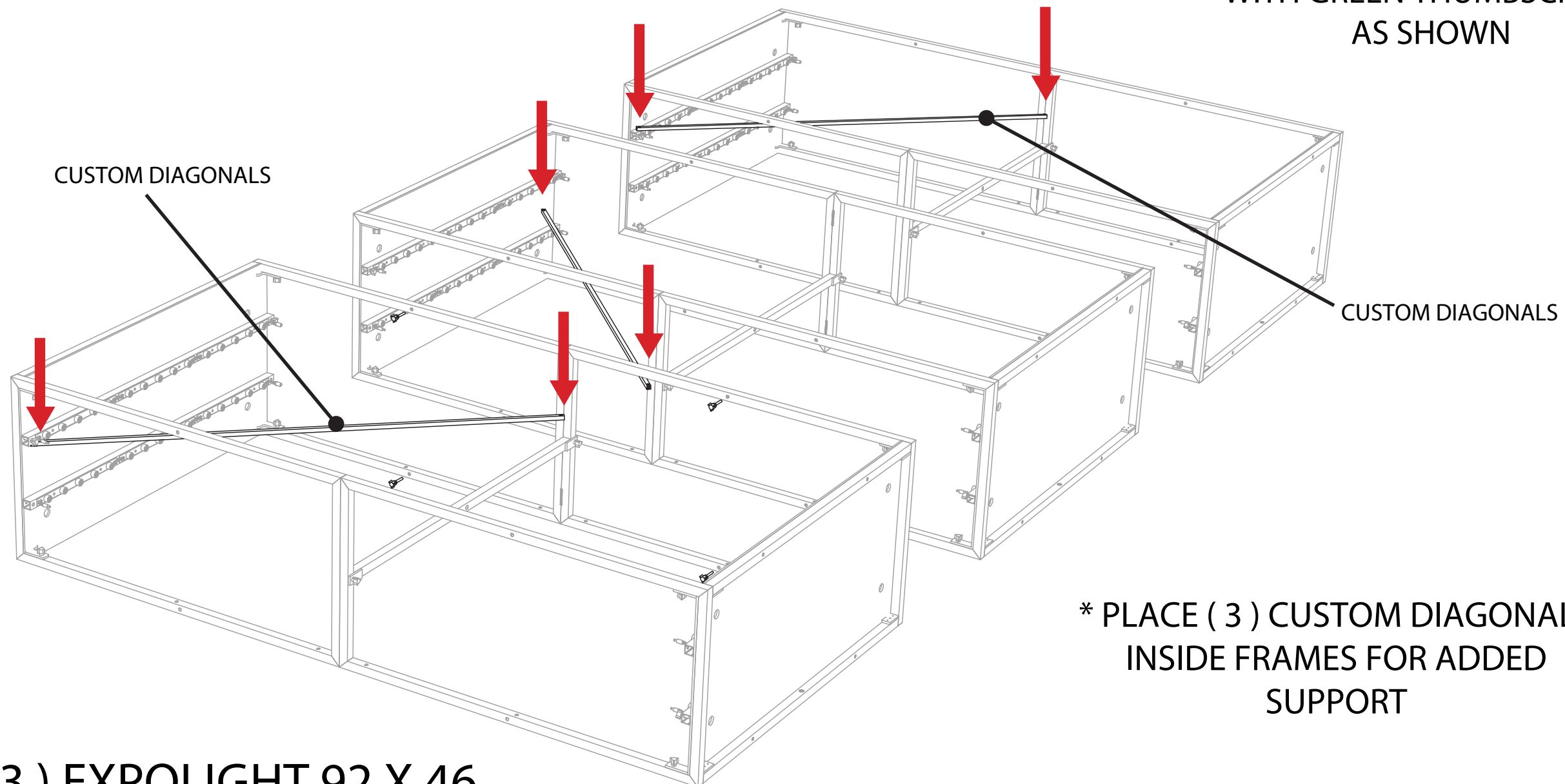




\* PLACE  
( 2 ) 23 X 46 LIGHT BLOCKER PANELS  
IN SIDES OF FRAME AS SHOWN

( 4 ) 46" EXPOLIGHT BARS IN PANELS  
WITH RED THUMBSCREWS

( 1 ) 46" MIDDLE SUPPORT BAR  
WITH GREEN THUMBSCREWS  
AS SHOWN



\* PLACE ( 3 ) CUSTOM DIAGONALS  
INSIDE FRAMES FOR ADDED  
SUPPORT

( 3 ) EXPOLIGHT 92 X 46



**Expo EX PO Displays**  
A Division of Diamond Displays International

3401 Mary Taylor Road  
Birmingham, Alabama 35235  
(205) 439-8200

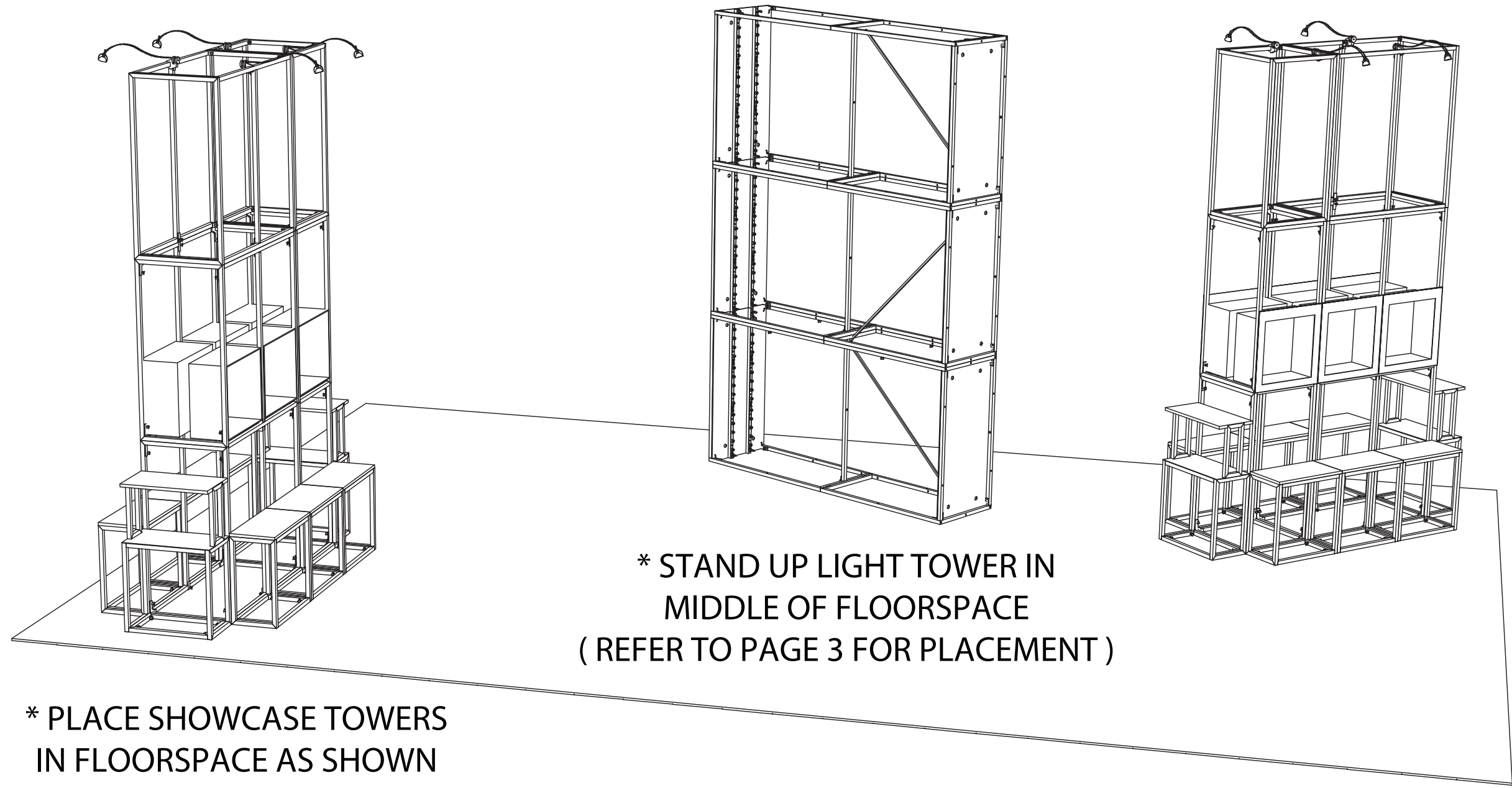
Job #: 70279

Project Title

20X30 MULTIQUAD®

Sheet Title

**ASSEMBLY  
INSTRUCTIONS  
LIGHT TOWER  
ASSEMBLY**



\* STAND UP LIGHT TOWER IN  
MIDDLE OF FLOORSPACE  
( REFER TO PAGE 3 FOR PLACEMENT )

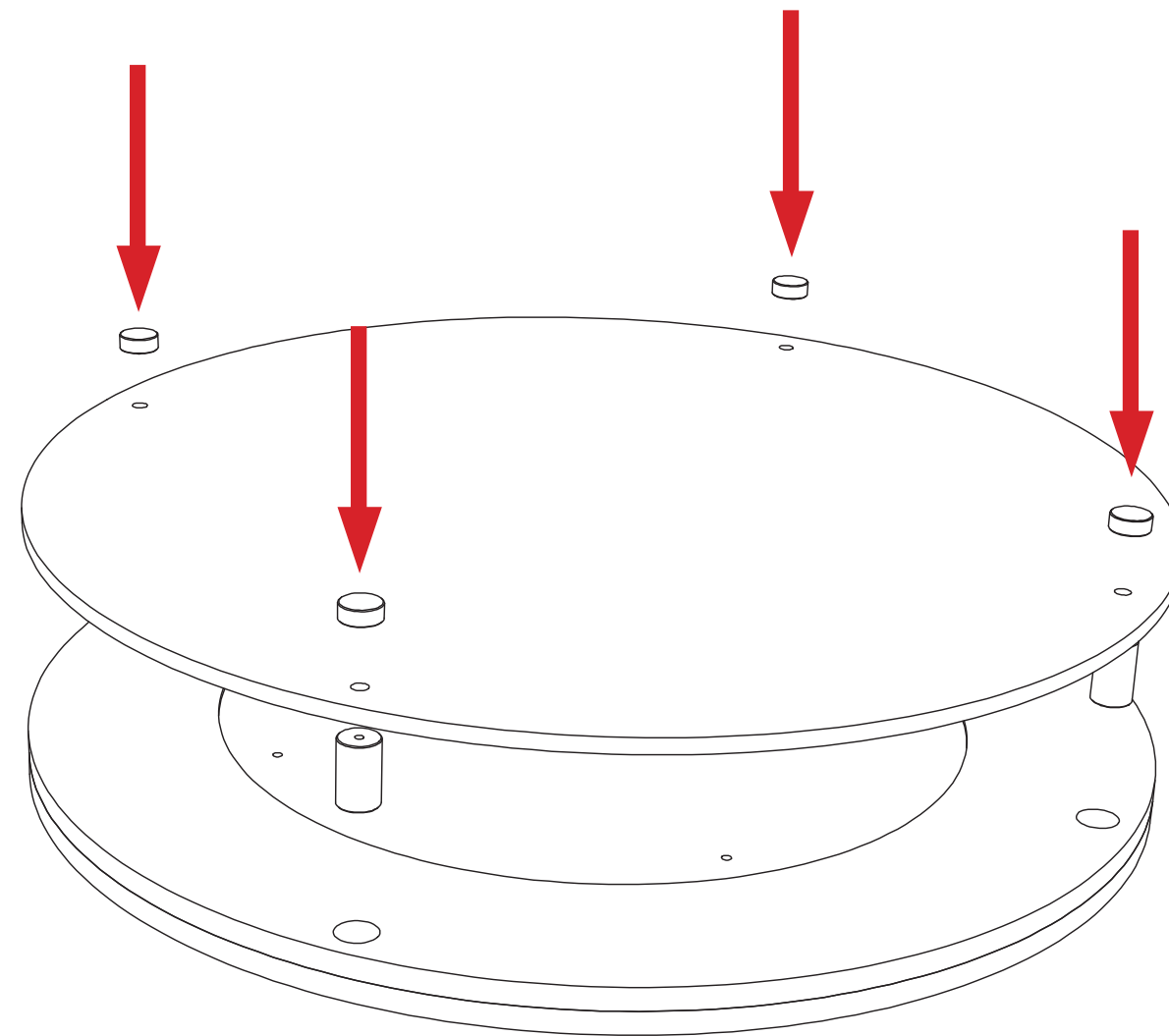
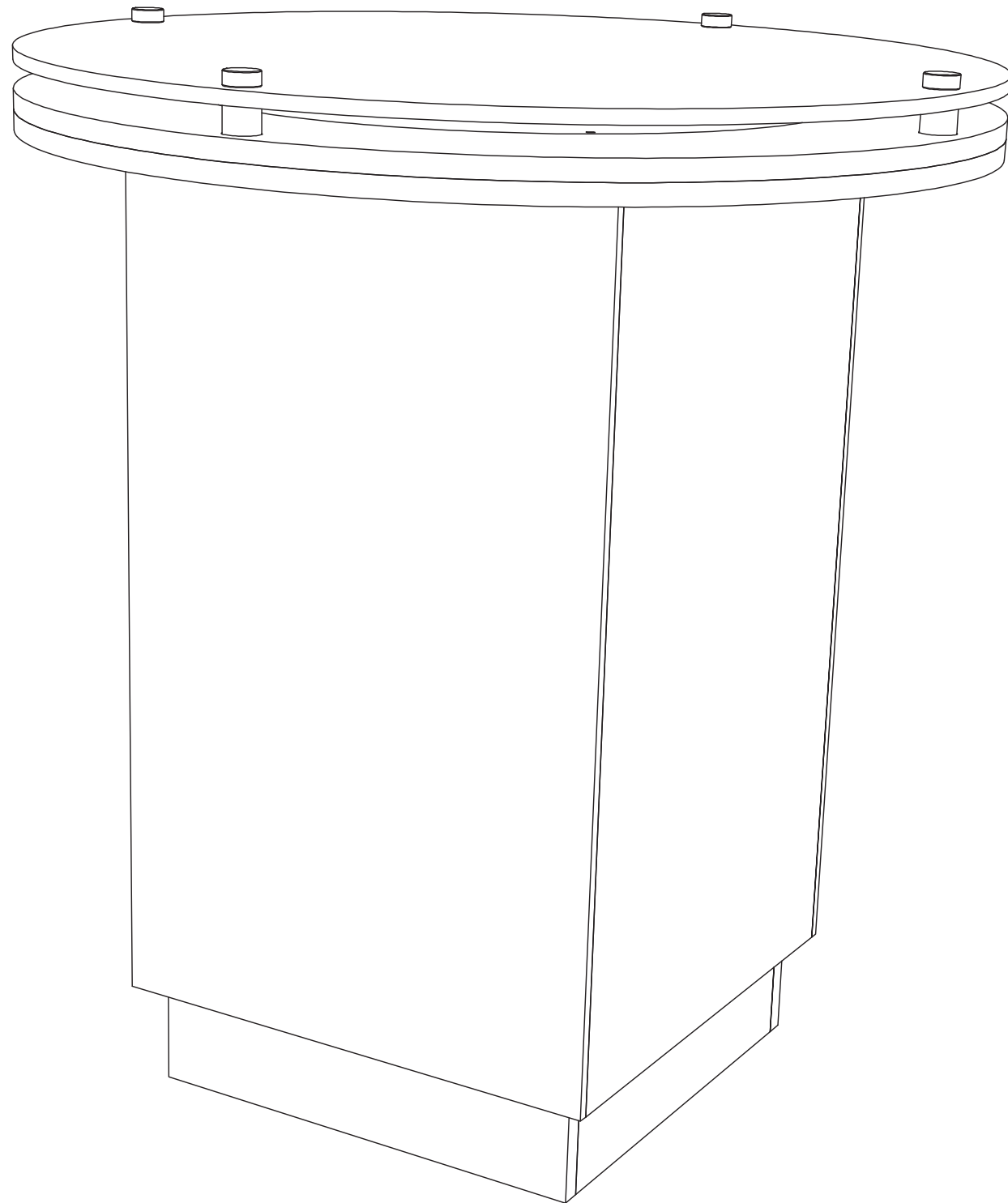
\* PLACE SHOWCASE TOWERS  
IN FLOORSPACE AS SHOWN

\* STAND UP LIGHT TOWER IN  
MIDDLE OF FLOORSPACE

\* SEE PAGE 10 FOR GRAPHIC PLACEMENT



( 2 ) CUSTOM PLEX COUNTERS  
TO BE PLACED AT CUSTOMER'S DISCRETION  
( CRATE 2 AND 3 )



\* PLEX CAN BE REMOVED FROM STANDOFFS  
FOR ACCESS TO 24" AREA UNDERNEATH



**Expo EX PO Displays**  
A Division of Diamond Displays International

3401 Mary Taylor Road  
Birmingham, Alabama 35235  
(205) 439-8200

Job #: 70279

Project Title

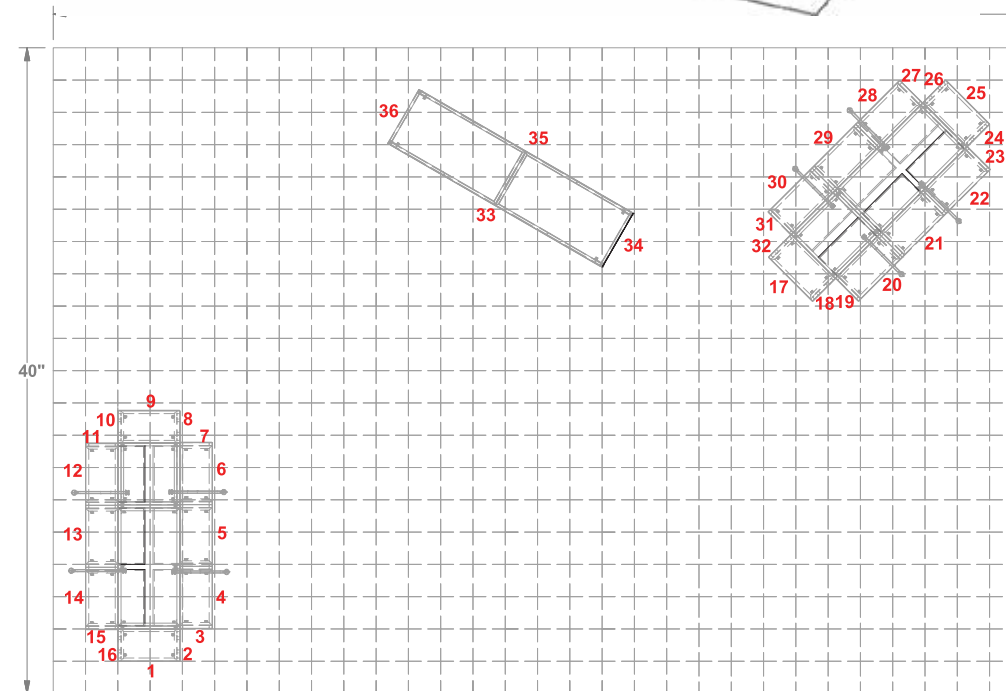
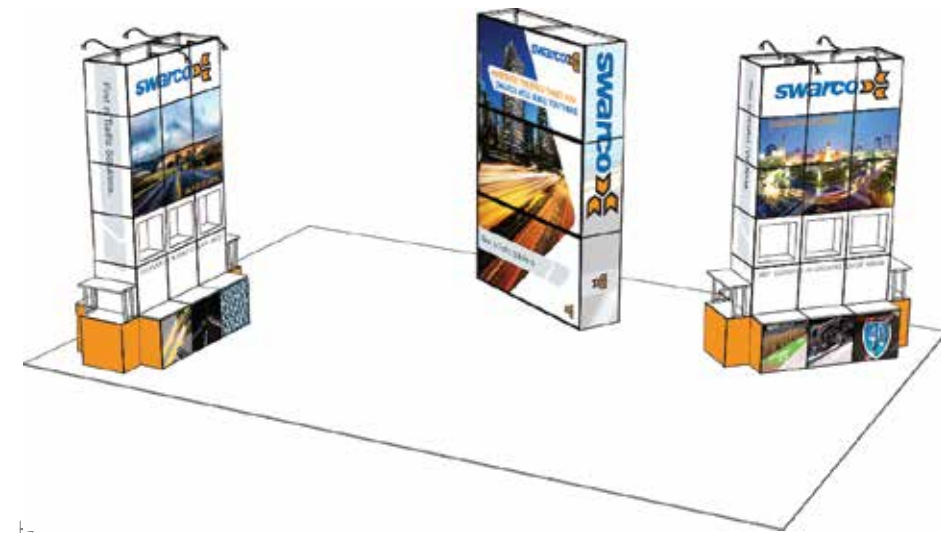
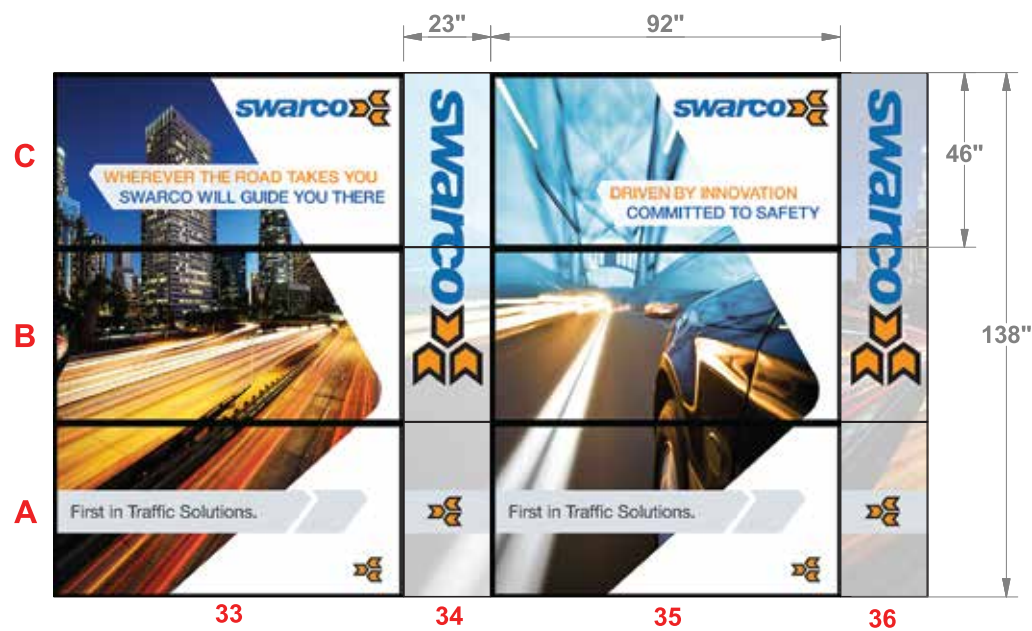
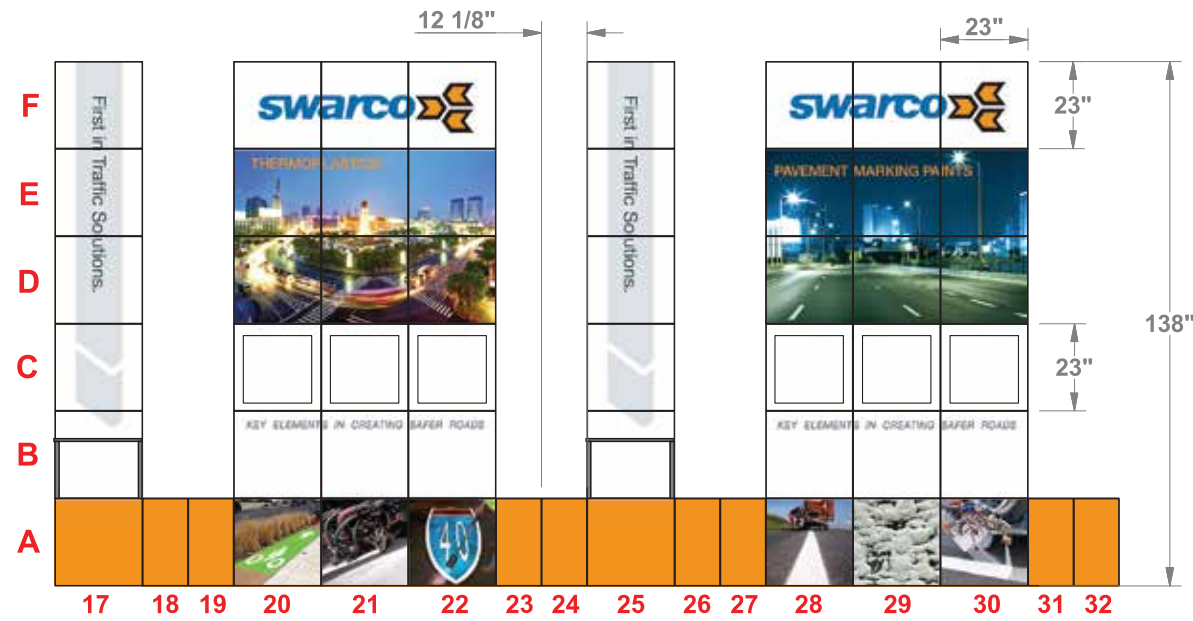
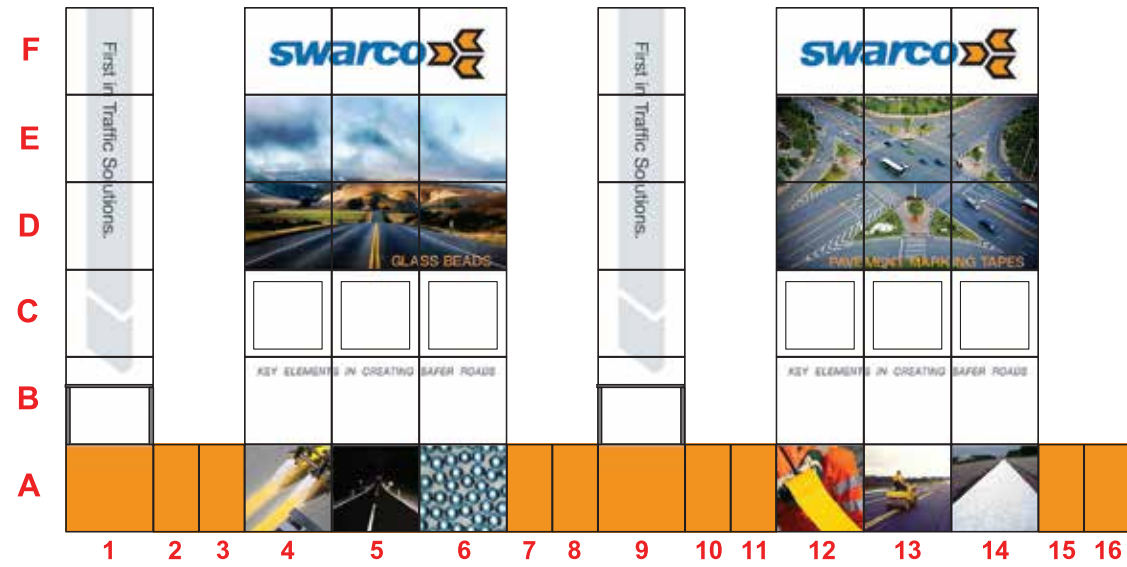
**20X30 MULTIQUAD®**

Sheet Title

**ASSEMBLY  
INSTRUCTIONS**

**CUSTOM COUNTERS**

**FLATTENED ELEVATED VIEW**



TOP VIEW

PARTS LIST:		
QTY	SIZE	NAME
84	23 X 23	STANDARD QUAD
12	23 X 23	SHOWCASE QUAD
16	12.125 X 23	SIDE QUAD
6	46 X 92	BACKLIT QUAD
6	23 X 46	DOUBLE QUAD



**Expo EXPO Displays®**  
A Division of Diamond Displays International

3401 Mary Taylor Road  
Birmingham, Alabama 35235  
(205) 439-8200

Job #: 70279

Project Title

**20X30 MULTIQUAD®**

Sheet Title

**ASSEMBLY INSTRUCTIONS**  
**GRAPHIC LAYOUT**