

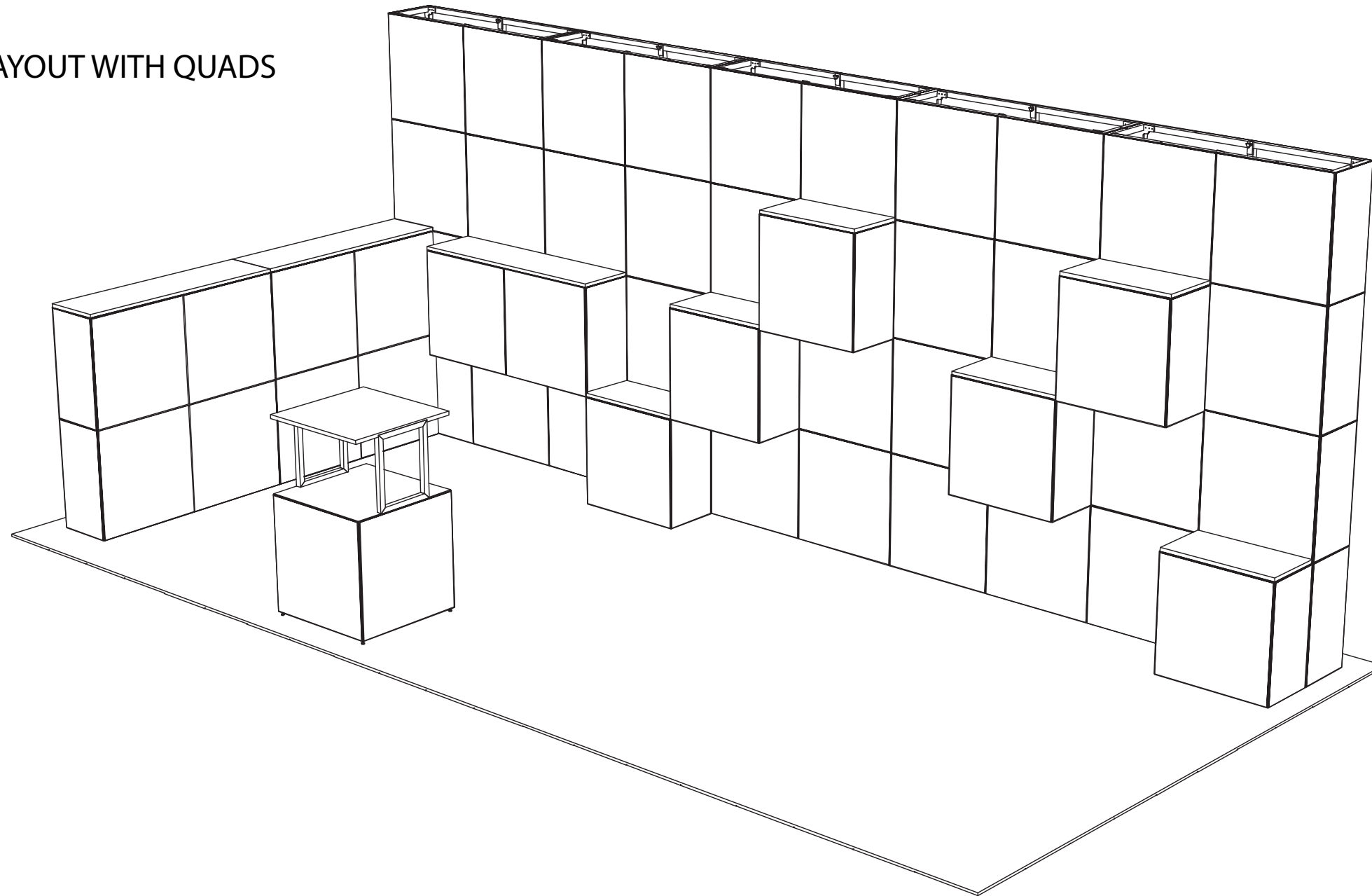
WHEN ASSEMBLING **EX PO MultiQuad**[®]

REMEMBER YOUR **ABC**'s...

ASSEMBLE EACH COMPONENT SEPARATELY

BUILD THE DESIRED LAYOUT

COVER YOUR MULTIQUAD LAYOUT WITH QUADS



EX PO MultiQuad[®]
An *ExpoDisplays* Product

GREENOLOGY
10' x 20' Custom MultiQuad[®]



Expo EX PO Displays[®]
A Division of Diamond Displays International

3401 Mary Taylor Road
Birmingham, Alabama 35235
(205) 439-8200

Job #: 75471

Project Title

10x20 MULTIQUAD[®]

Sheet Title

**ASSEMBLY
INSTRUCTIONS
COVER SHEET**

ELECTRICAL PLAN



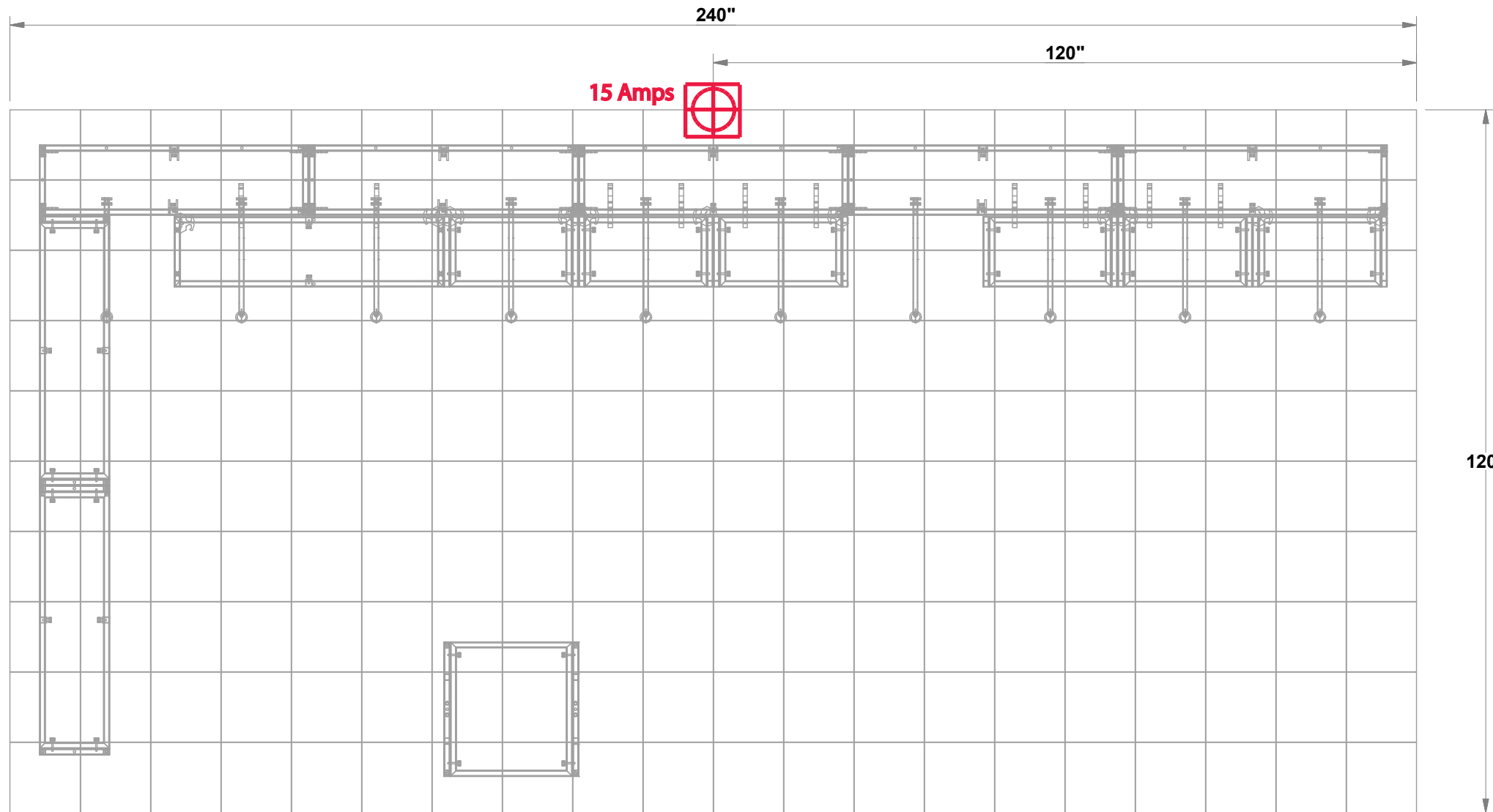
Project Title

10x20 MULTIQAD®

Sheet Title

**ASSEMBLY INSTRUCTIONS
ELECTRICAL PLAN**

BOOTH # _____ ↗



TOP VIEW

BOOTH # _____ ↘

FRONT OF DISPLAY

1 Square = 1'- 0"



MAIN ELECTRICAL DROP



ELECTRICAL OUTLET

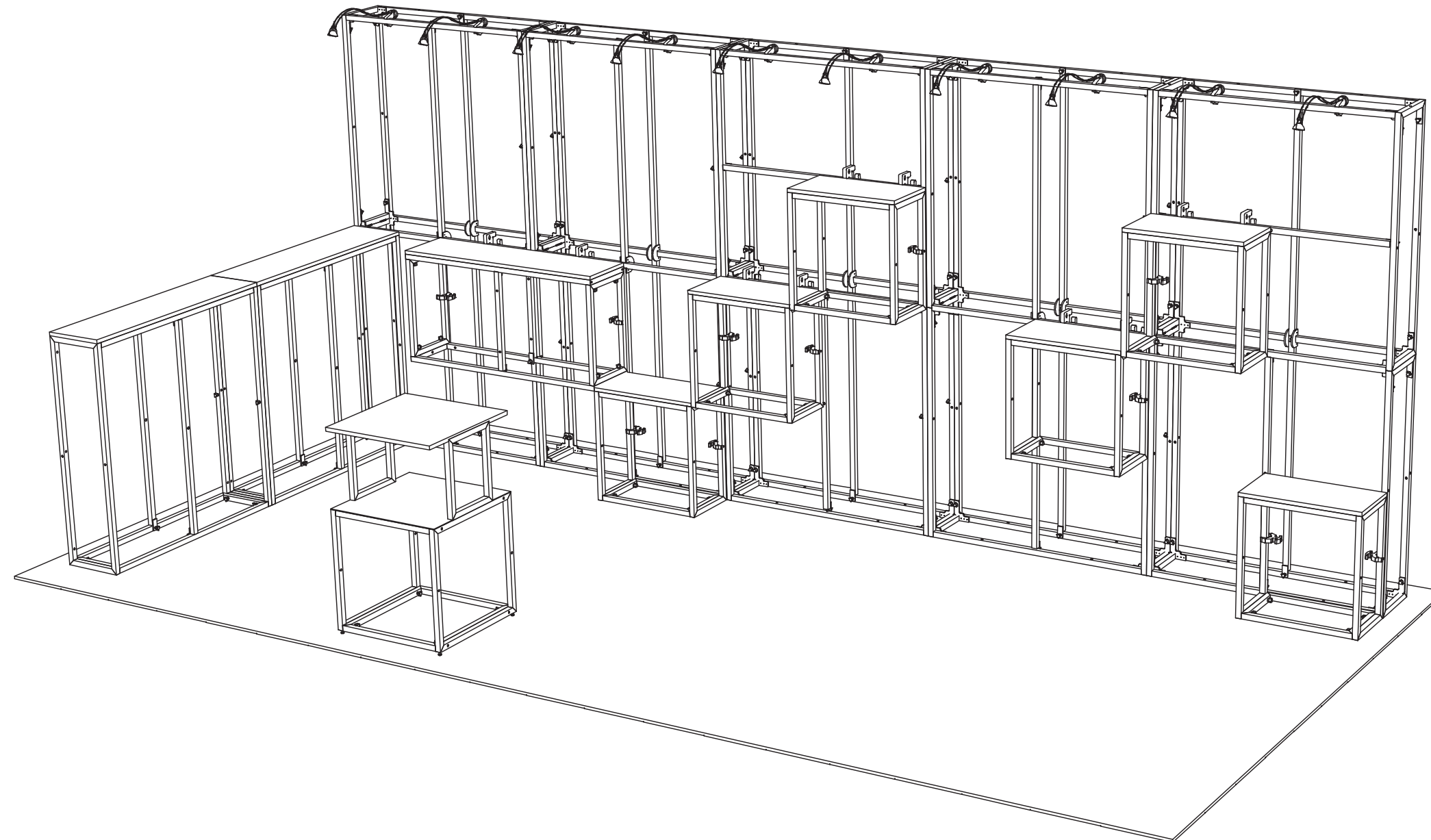
SHOW: _____

BOOTH: _____

BOOTH # ↗

BOOTH # ↘

DESIRED LAYOUT



Expo EX PO Displays[®]
A Division of Diamond Displays International

3401 Mary Taylor Road
Birmingham, Alabama 35235
(205) 439-8200

Job #: 75471

Project Title

10x20 MULTIQUAD [®]

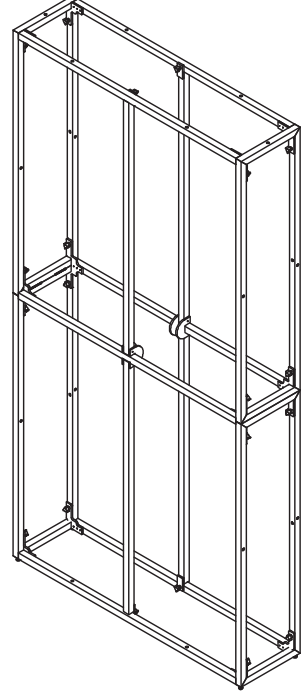
Sheet Title

**ASSEMBLY
INSTRUCTIONS
DESIRED LAYOUT**

STANDARD PARTS

ASSEMBLE ALL FRAMES LISTED USING APPENDIX PAGES

STANDARD

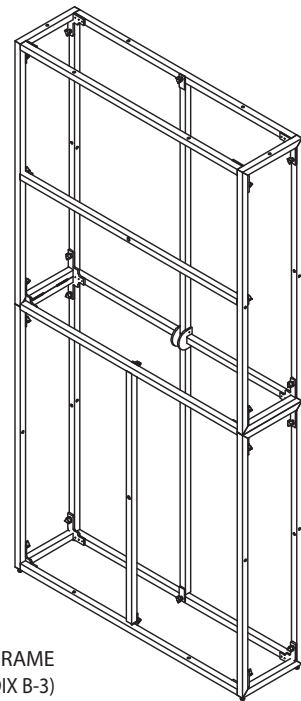


STANDARD FRAME
(SEE APPENDIX B)



x 3

HORIZONTAL TOP

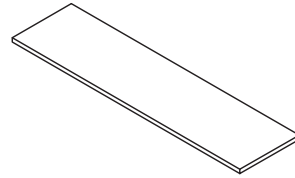


STANDARD FRAME
(SEE APPENDIX B-3)

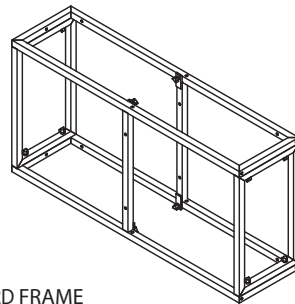
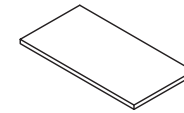


x 2

12 x 46 SHELF x 3



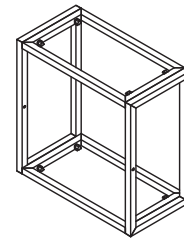
12 x 23 SHELF x 6



STANDARD FRAME
(SEE APPENDIX S)



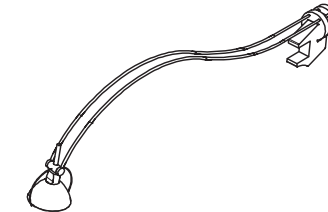
x 1



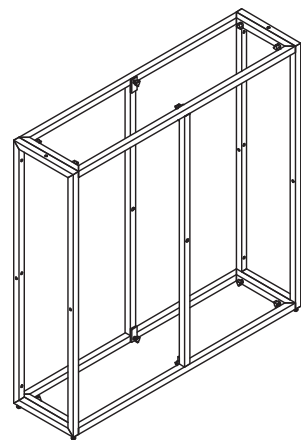
STANDARD FRAME
(SEE APPENDIX X)



x 6



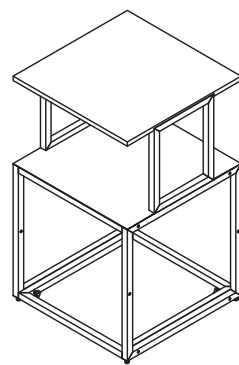
STEMLIGHT x 10



STANDARD FRAME
(SEE APPENDIX E)



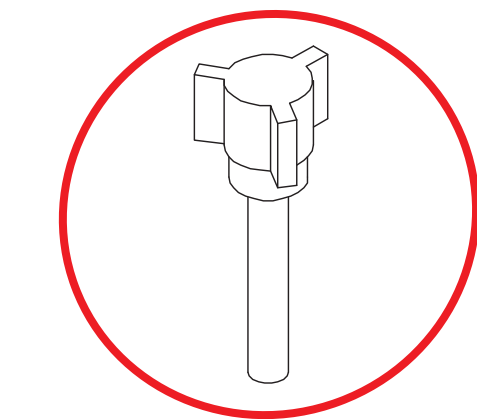
x 2



MAX PODIUM
(SEE APPENDIX W)



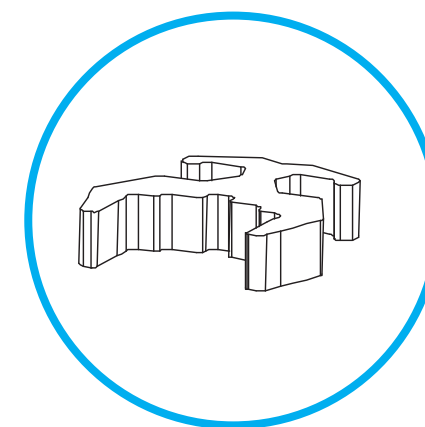
x 1



RED THUMBSCREW



EXTENDED FRAME CLAMP



PRESSURE CLAMP



Expo EX PO Displays
A Division of Diamond Displays International

3401 Mary Taylor Road
Birmingham, Alabama 35235
(205) 439-8200

Job #: 75471

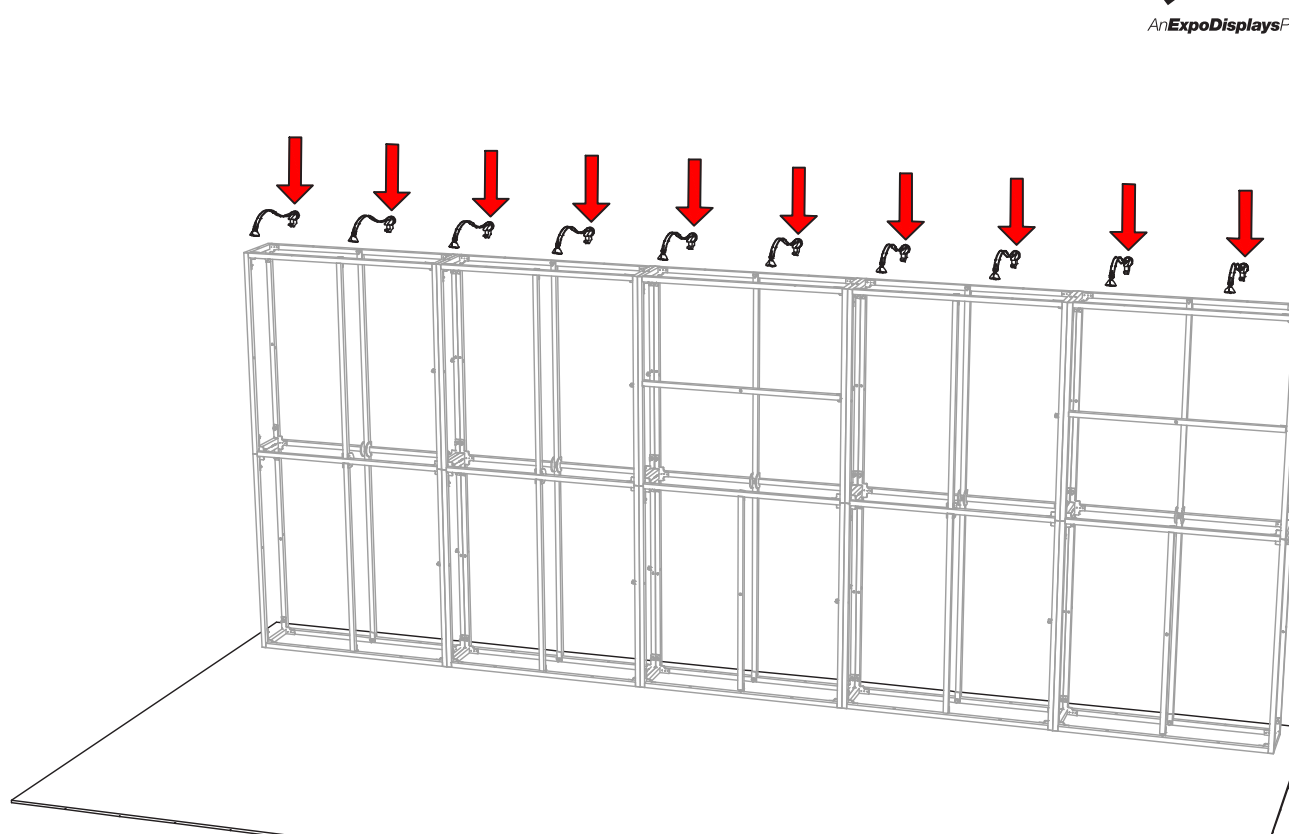
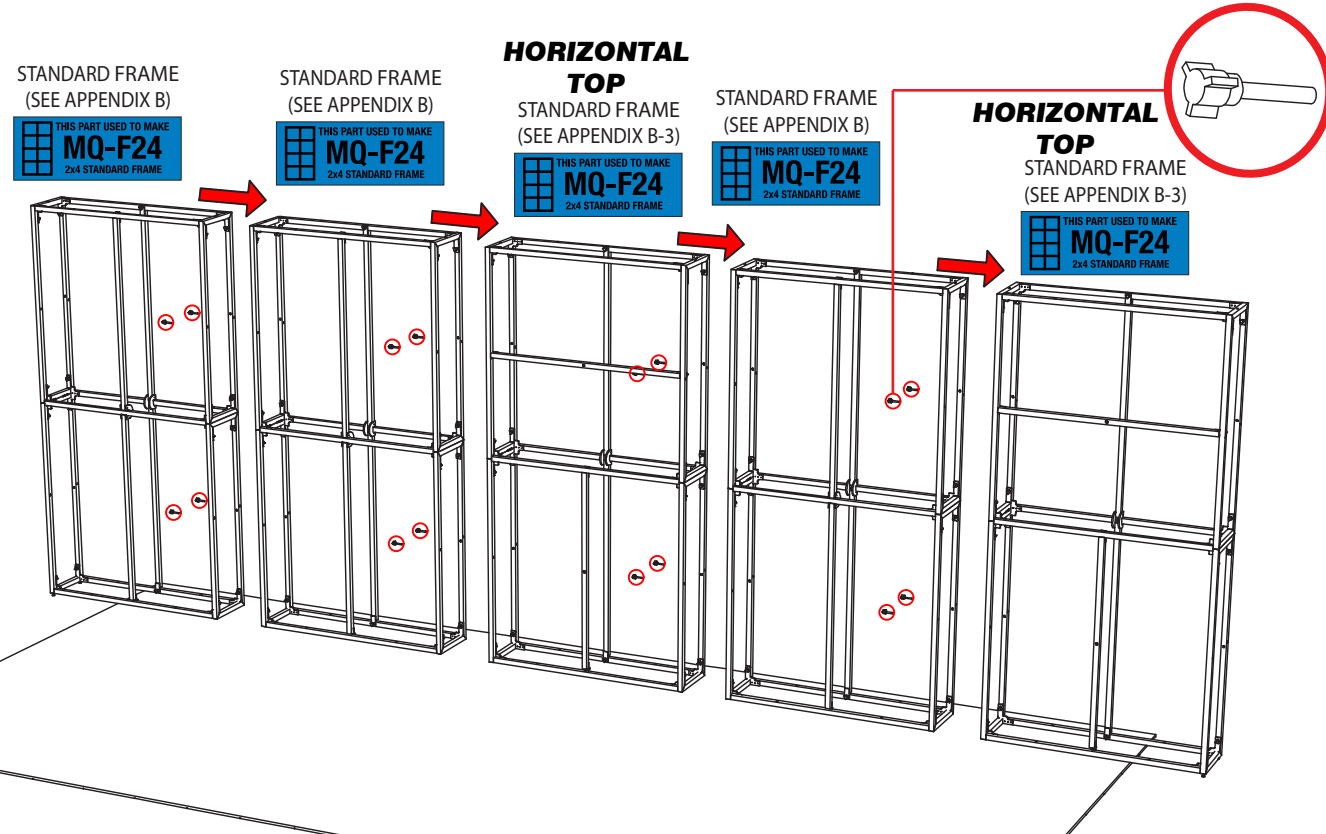
Project Title

10x20 MULTIQUAD®

Sheet Title

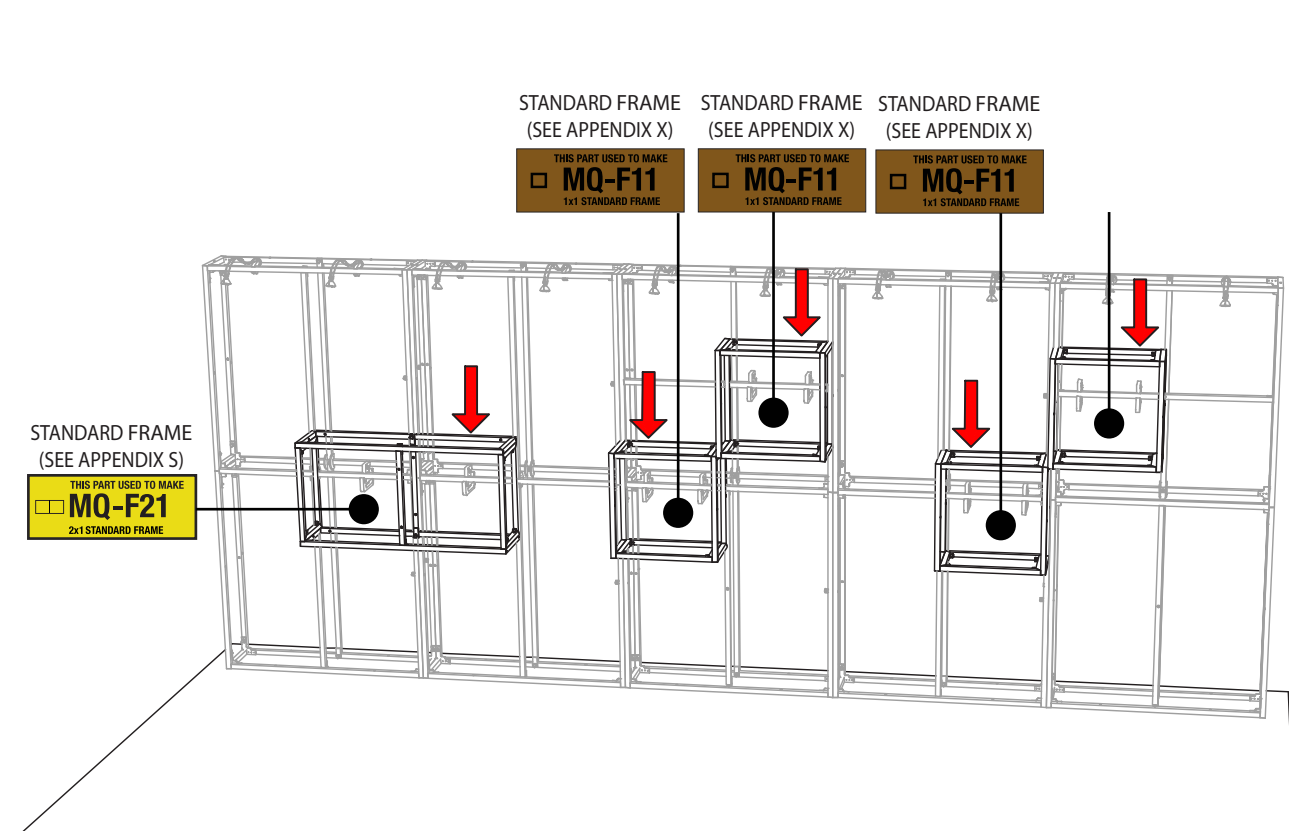
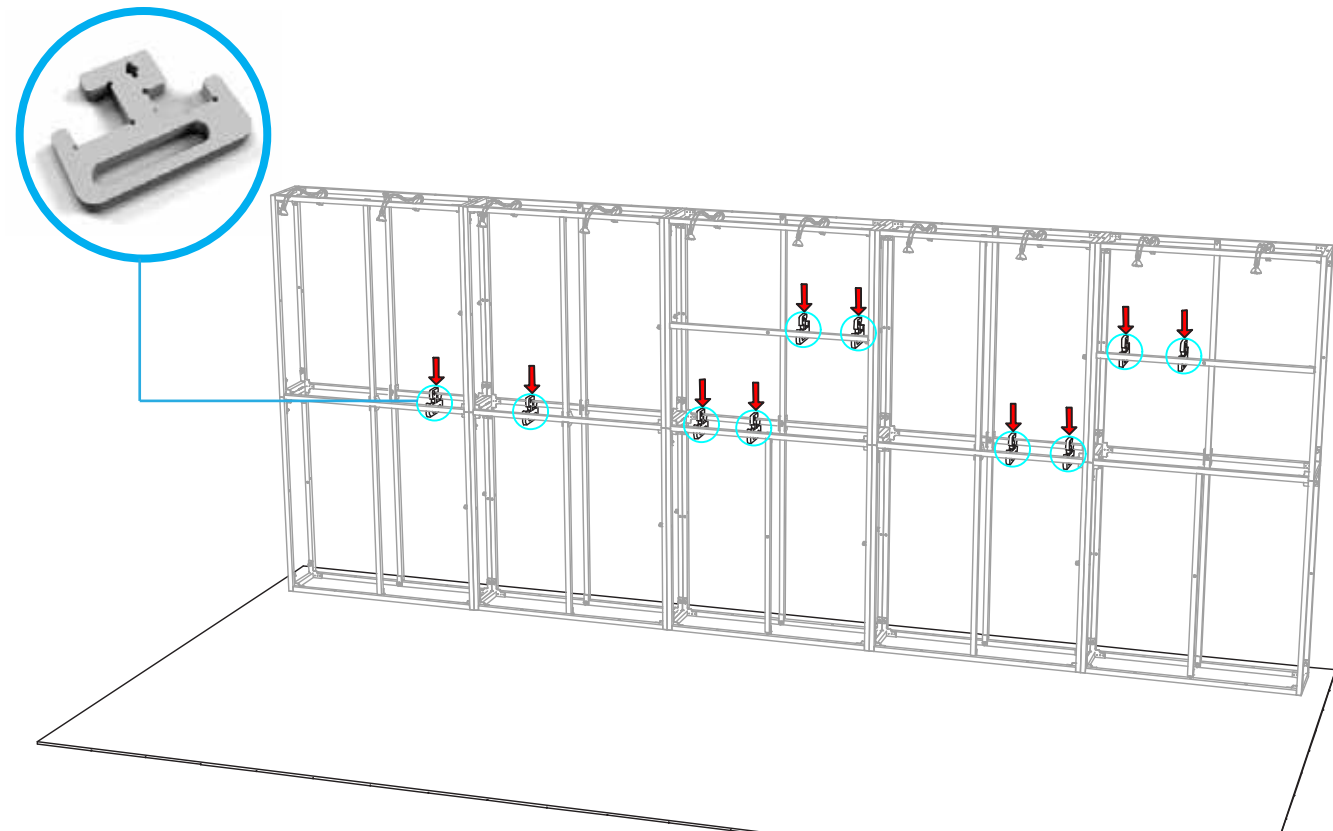
ASSEMBLY INSTRUCTIONS
STANDARD PARTS

MAIN WALL ASSEMBLY



JOIN (**5**) **LABELED FRAMES** WITH (**16**) **RED THUMBSCREWS** IN DIRECTION SHOWN

(**SEE APPENDIX P-2**) ATTACH (**10**) **STEMLIGHTS** ON TOP AS SHOWN



(**SEE APPENDIX C-10**) INSERT (**10**) **EXTENDED CLAMPS** IN AREAS SHOWN

JOIN (**5**) **LABELED FRAMES** TO **MAIN WALL** ON **EXTENDED CLAMPS** IN AREAS SHOWN



Expo EX PO Displays
A Division of Diamond Displays International

3401 Mary Taylor Road
Birmingham, Alabama 35235
(205) 439-8200

Job #: 75471

Project Title

10x20 MULTIQAD[®]

Sheet Title

ASSEMBLY INSTRUCTIONS
MAIN WALL ASSEMBLY

SHELF & COUNTER ASSEMBLY

EXPO MultiQuad[®]

An Expo Displays Product



Expo EXPO Displays[®]
A Division of Diamond Displays International

3401 Mary Taylor Road
Birmingham, Alabama 35235
(205) 439-8200

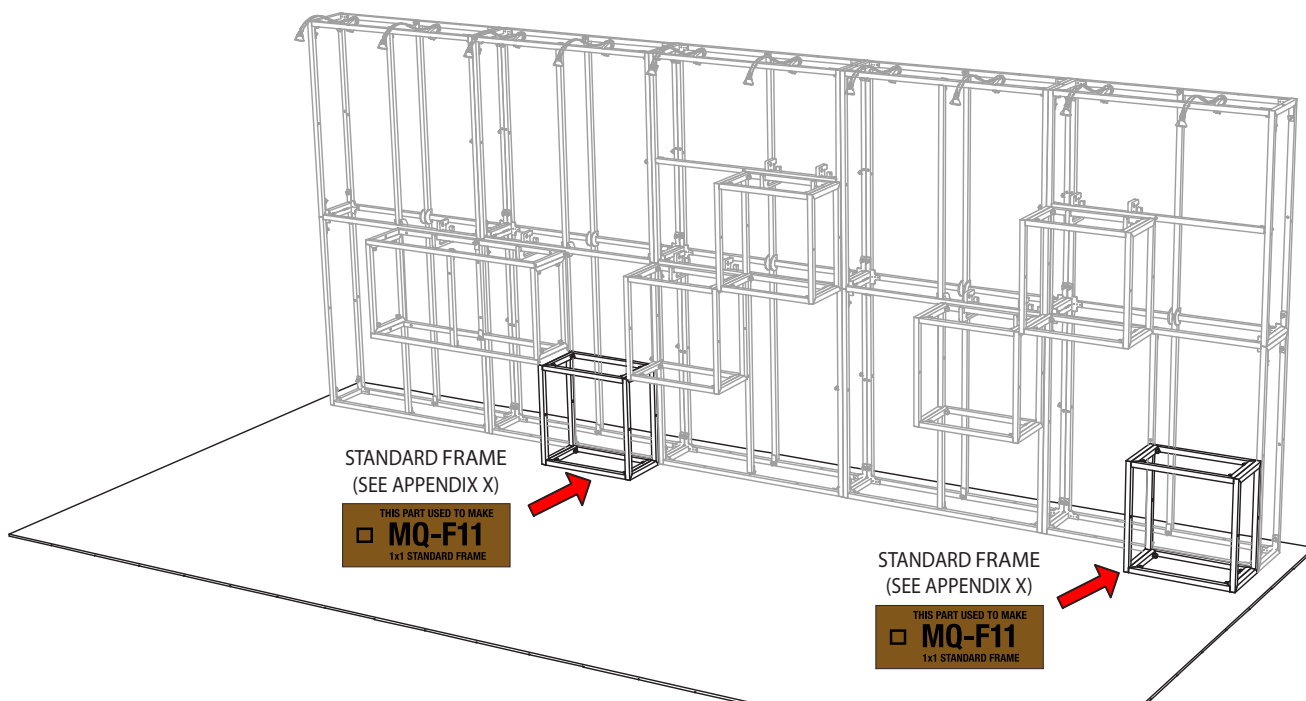
Job #: 75471

Project Title

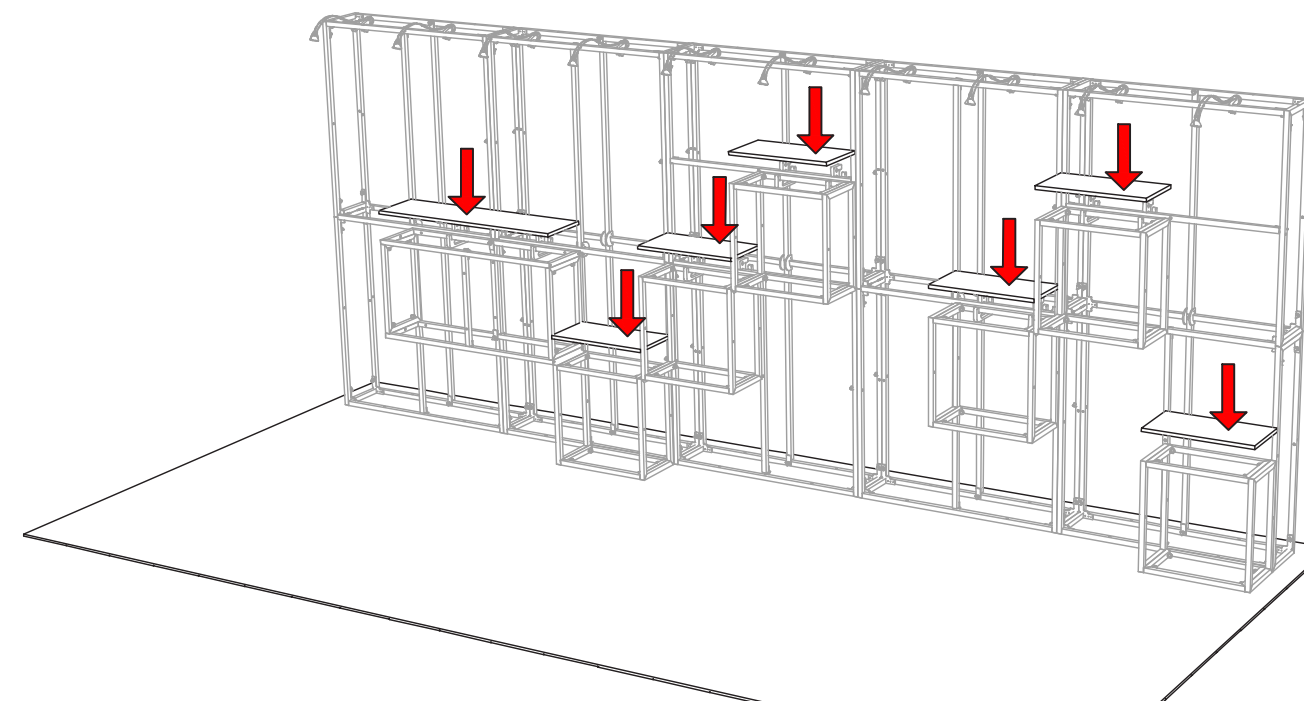
10x20 MULTIQUAD[®]

Sheet Title

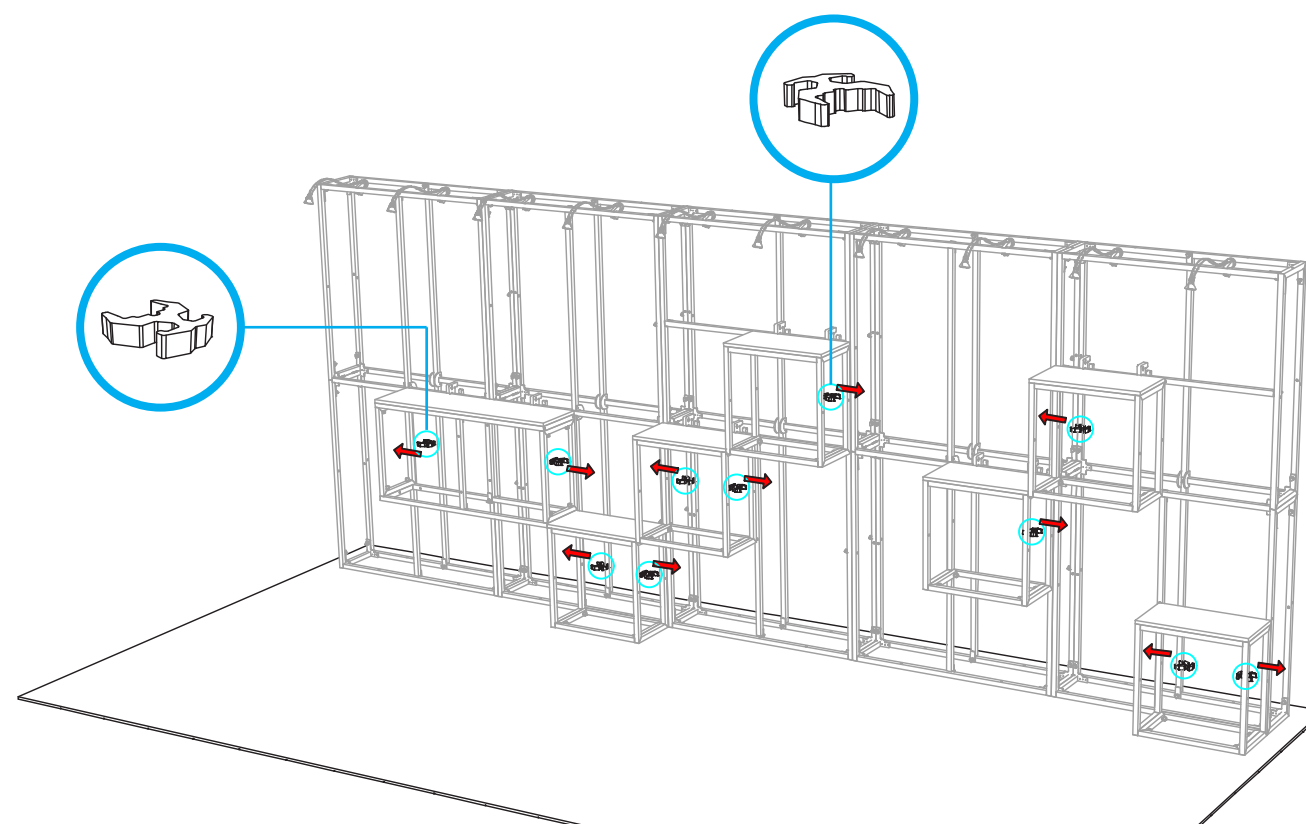
ASSEMBLY INSTRUCTIONS
SHELF & COUNTER ASSEMBLY



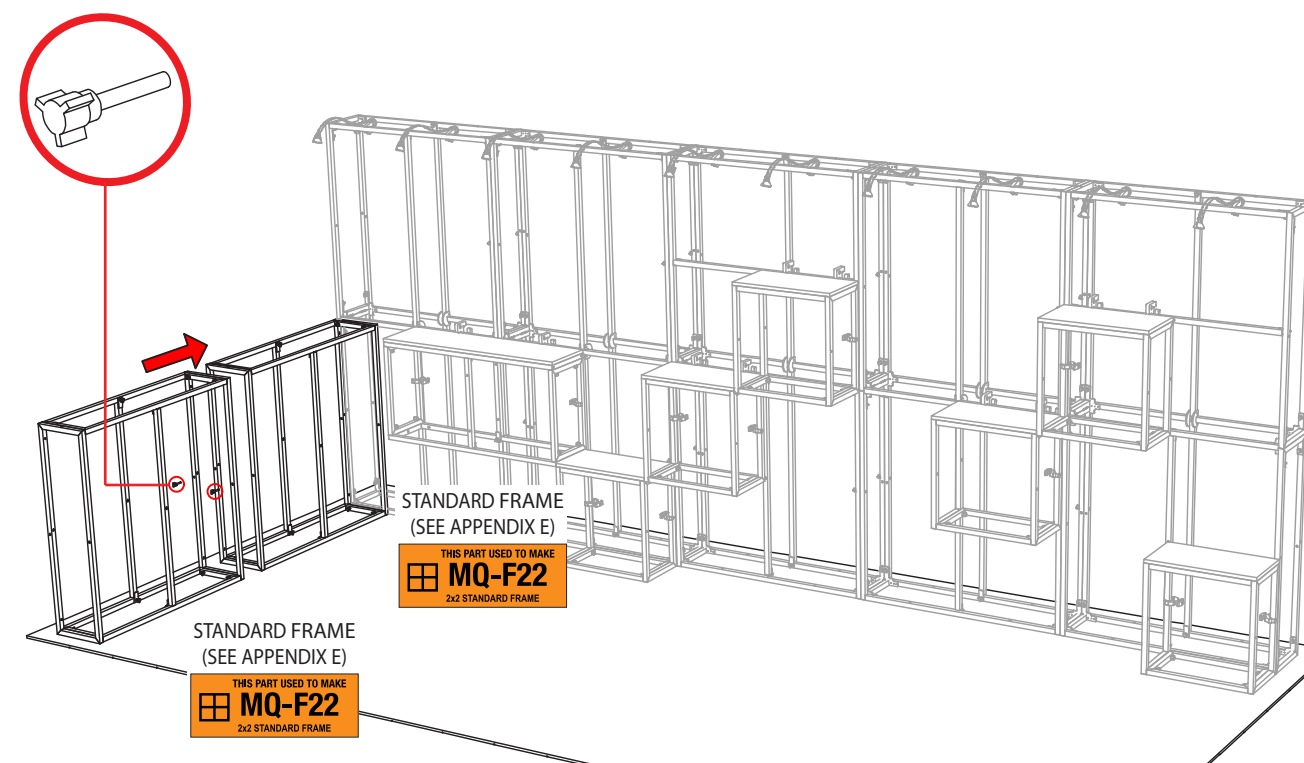
JOIN (2) **LABELED FRAMES** TO **MAIN WALL** ON FLOOR IN AREAS SHOWN



PLACE (1) **12 X 46 SHELF** & (6) **12 X 23 SHELVES** ON **EXTENDED FRAMES** IN AREAS SHOWN



SECURE **EXTENDED FRAMES & FLOOR FRAMES** WITH (11) **PRESSURE CLAMPS** TO **MAIN WALL** AS SHOWN



JOIN (2) **LABELED FRAMES** WITH (2) **RED THUMBSCREWS** ON LEFT SIDE AS SHOWN

COUNTER & PODIUM ASSEMBLY



Expo EX PO Displays[®]
A Division of Diamond Displays International

3401 Mary Taylor Road
Birmingham, Alabama 35235
(205) 439-8200

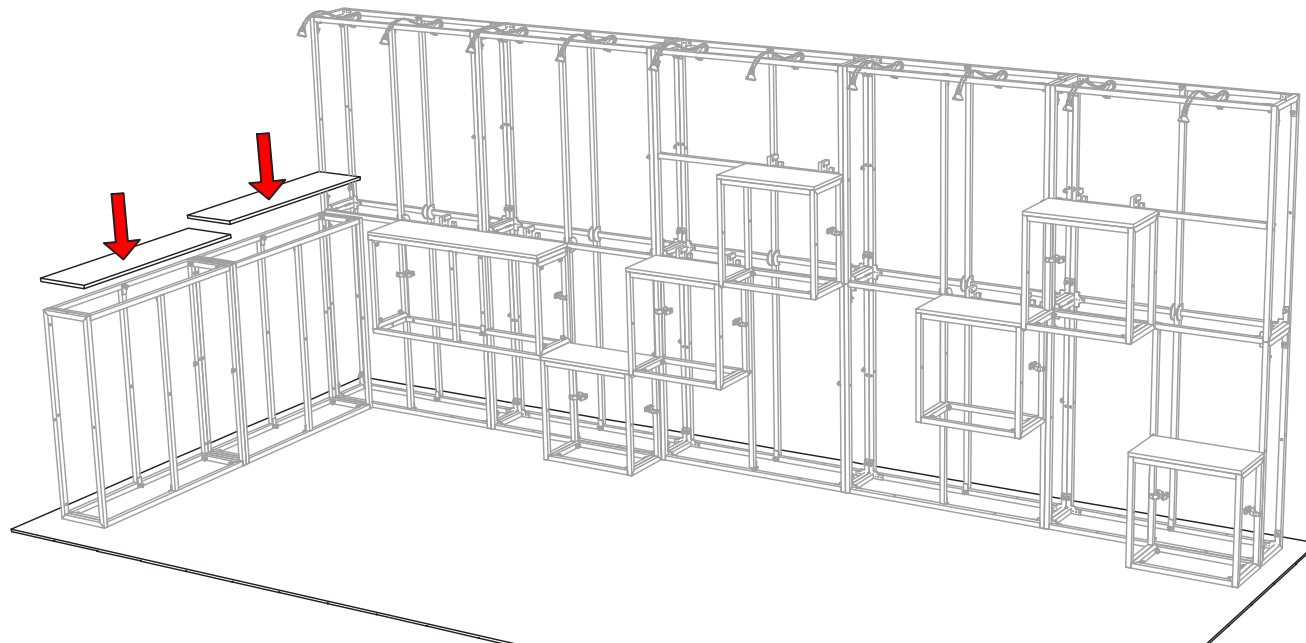
Job #: 75471

Project Title

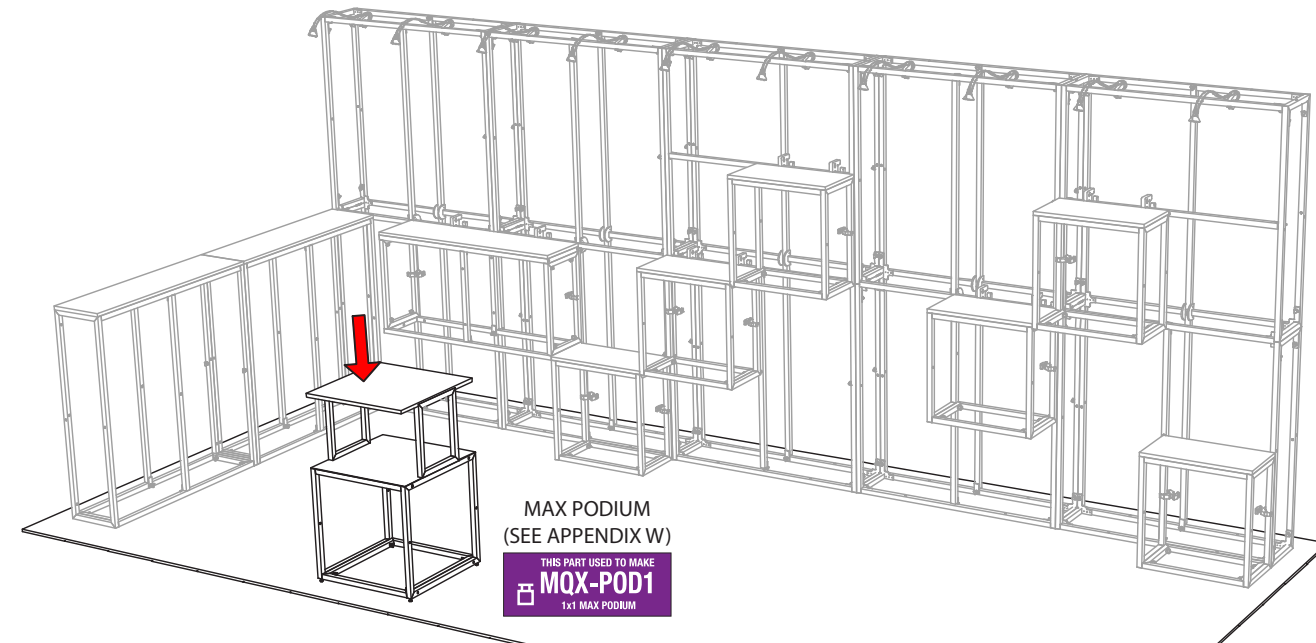
10x20 MULTIQUAD[®]

Sheet Title

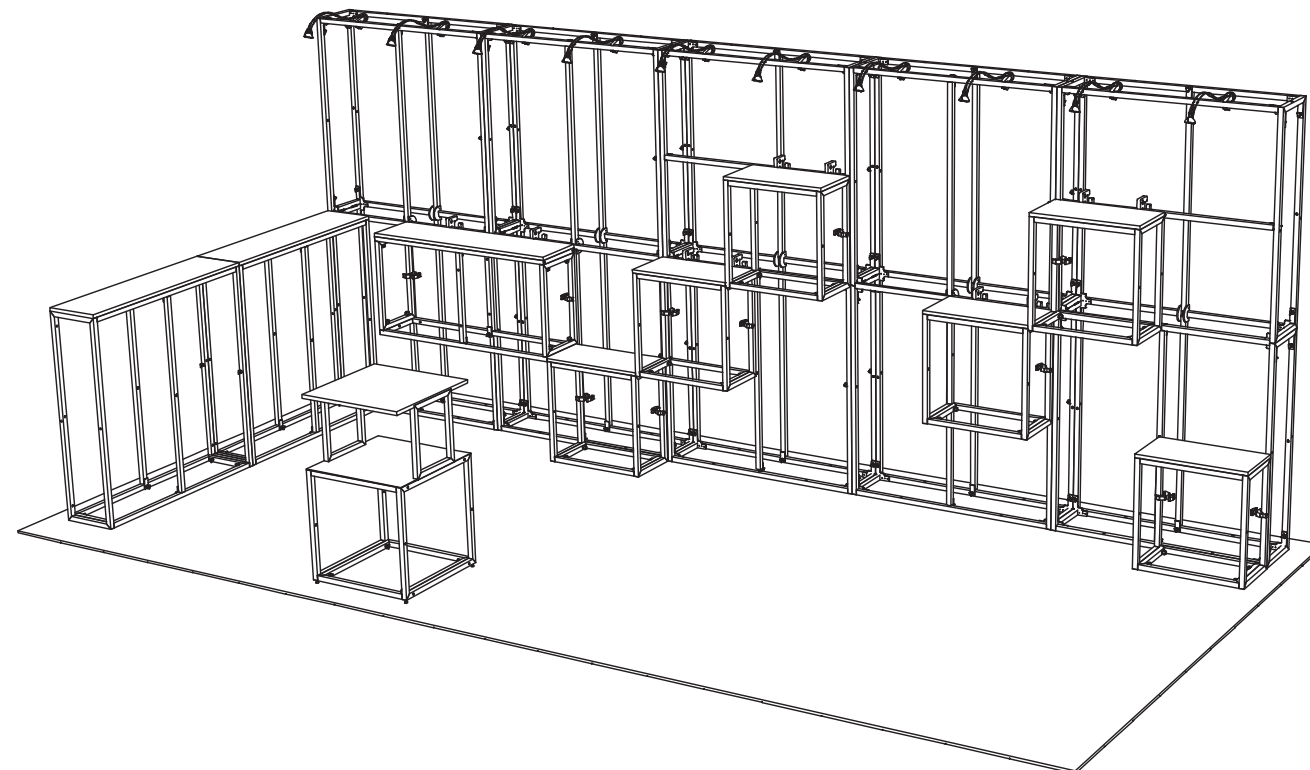
**ASSEMBLY
INSTRUCTIONS
COUNTER & PODIUM
ASSEMBLY**



PLACE (2) **12 X 46 COUNTERTOPS**
ON TOP OF  **MQ-F22** AS SHOWN
THIS PART USED TO MAKE
2x2 STANDARD FRAME



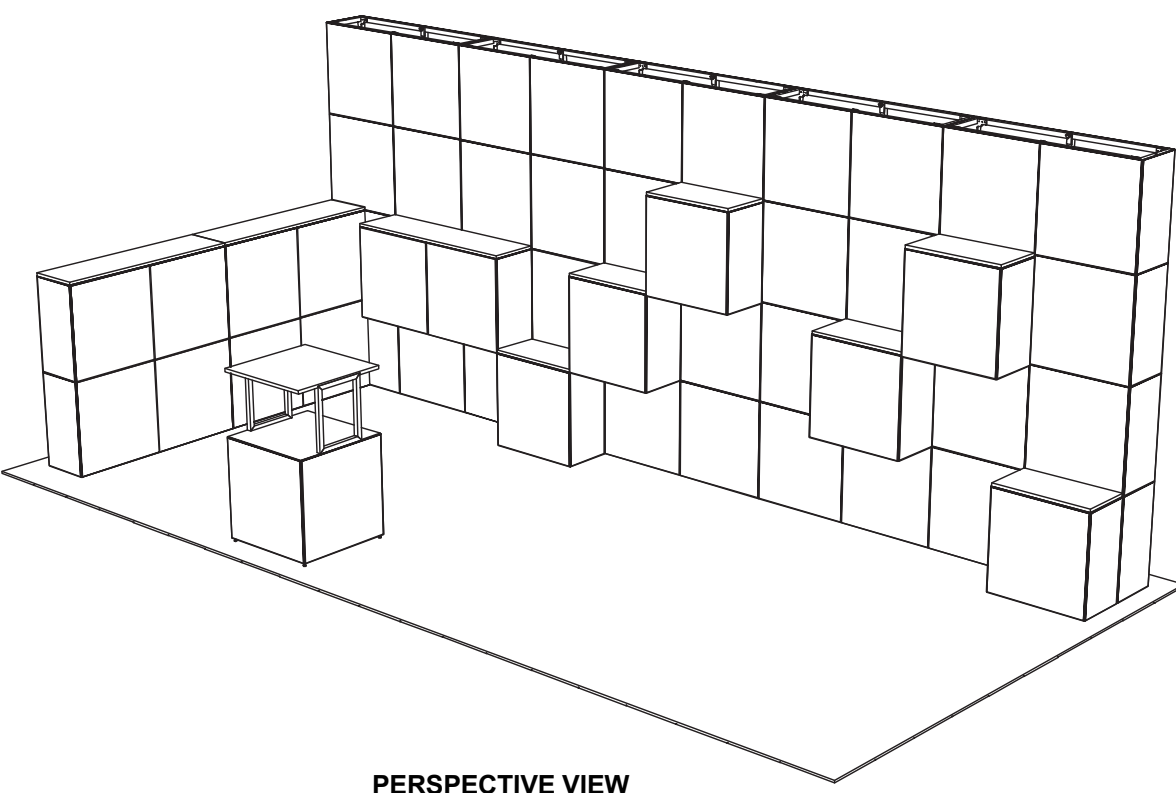
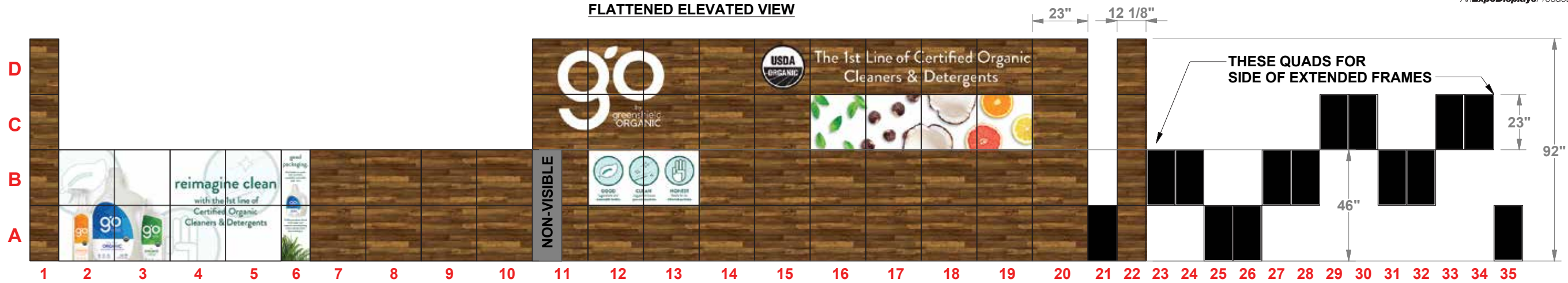
PLACE **LABELED PODIUM** IN FRONT
OF FLOORSPACE AS SHOWN



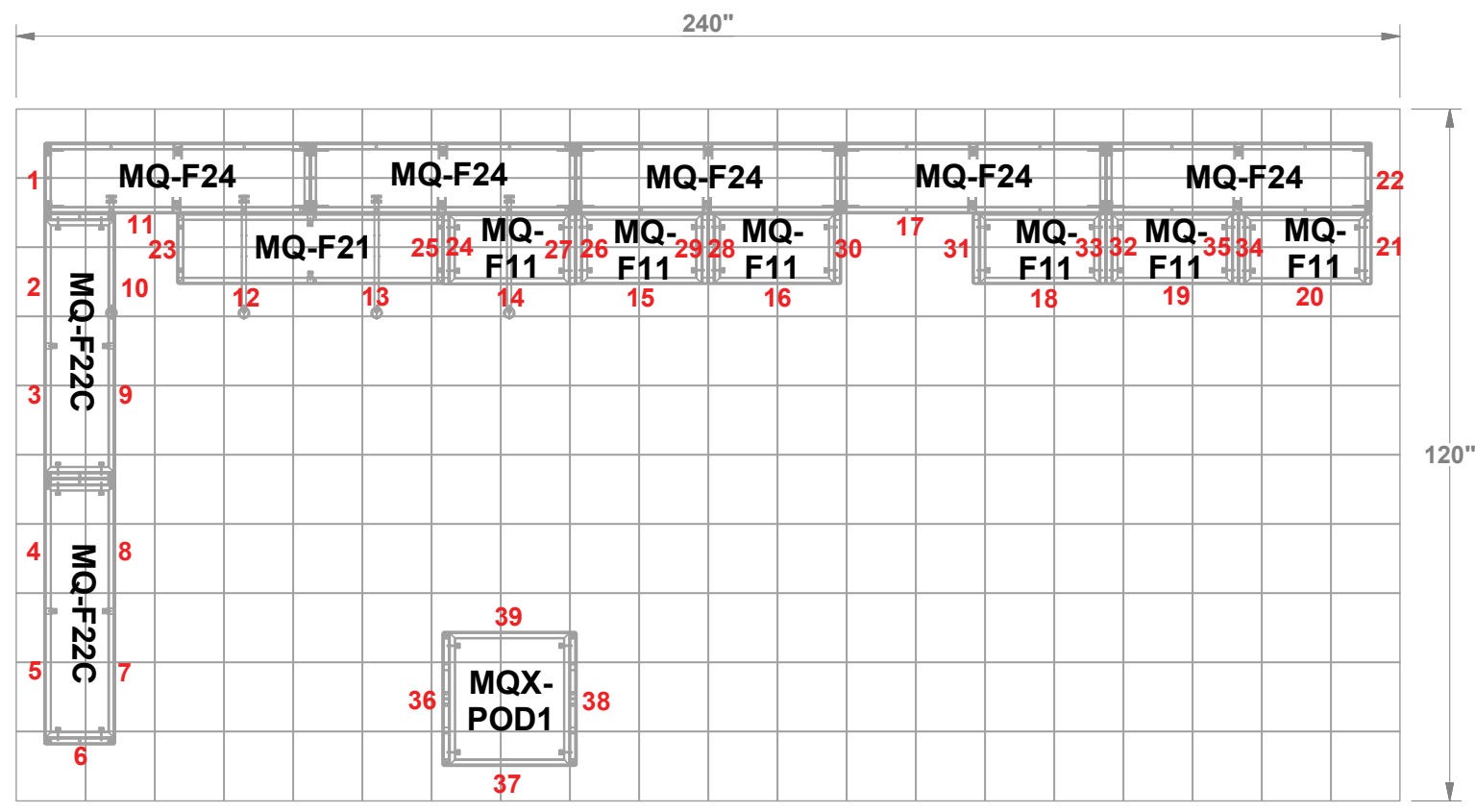
SEE **GRAPHIC LAYOUT** ON NEXT PAGE TO ADD QUADS TO FRAMEWORK

GRAPHIC LAYOUT

FLATTENED ELEVATED VIEW



PERSPECTIVE VIEW



TOP VIEW



Expo Displays
A Division of Diamond Displays International

3401 Mary Taylor Road
Birmingham, Alabama 35235
(205) 439-8200

Job #: 75471

Project Title

10x20 MULTIQAD®

Sheet Title

ASSEMBLY INSTRUCTIONS

GRAPHIC LAYOUT

**FRAME CLAMP INSTRUCTION
MQ-CLMP**

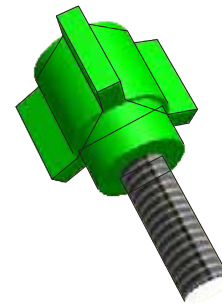
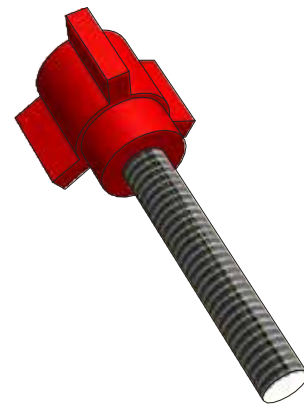
(NOT REQUIRED IN EVERY CONFIGURATION)



THE MQ-CLMP IS A FRICTION-FIT CONNECTOR / ALIGNMENT TOOL THAT DOES NOT REQUIRE TOOLS. THEY ARE TO BE USED IN ABNORMAL MULTIQUAD FRAME CONFIGURATIONS OR AS ADDITIONAL FRAME SECURITY IN SPECIAL SITUATIONS



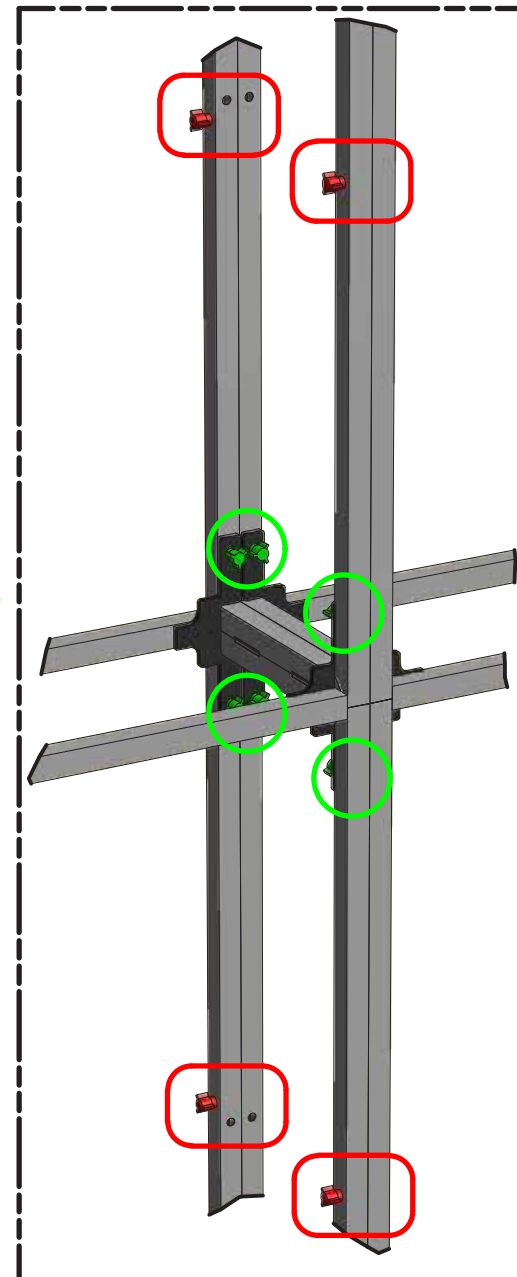
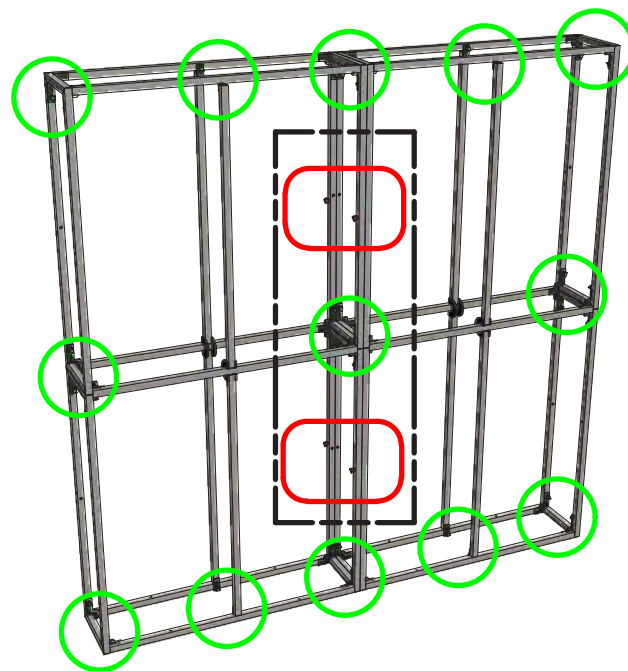
**THUMB SCREW INSTRUCTION
MQ-TSR2 / MQ-TSG1**



THE 2" RED THUMB SCREW IS USED TO CONNECT MULTIQUAD FRAMES TO OTHER MULTIQUAD FRAMES. EACH FRAME HAS RIVET NUT ON ONE SIDE AND A HOLE ON THE OTHER TO ALLOW FRAME TO FRAME CONNECTION

THE 1" GREEN THUMB SCREWS ARE USED WHEN ASSEMBLING 1x4 AND 2x4 FRAMES. SEE APPENDIX PAGES

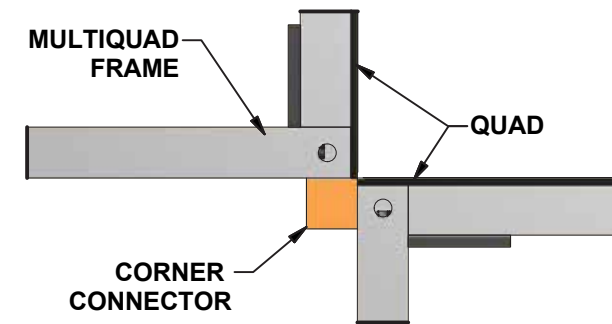
DUE TO THE RIVET NUTS, ALL FRAMES HAVE A LEFT AND RIGHT SIDE. VERIFY FRAME ORIENTATION TO ALLOW FRAME TO FRAME CONNECTION



**CORNER CONNECTOR INSTRUCTION
MQ-BTW**

(NOT REQUIRED IN EVERY CONFIGURATION)

THE MQ-BTW CORNER ALIGNMENT TOOL IS DESIGNED TO AID IN THE ALIGNMENT OF FRAMES AS NEEDED IN SOME MULTIQUAD CONFIGURATIONS.



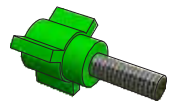
AFTER TWO MULTIQUAD FRAMES ARE SET "CORNER-TO-CORNER" THE MQ-BTW SIMPLY ATTACHES TO THE EXISTING MAGNETS ON THE FRAME



Expo Displays

3401 Mary Taylor Road
Birmingham, Alabama 35235
(205) 439-8200

Drawn By: AKHIII



**ASSEMBLY
INSTRUCTIONS**

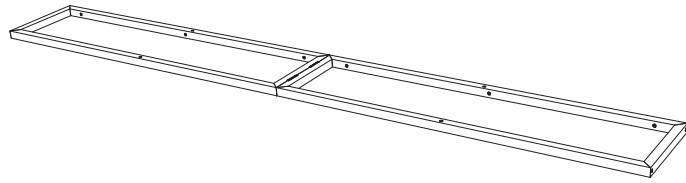
CONNECTORS & ALIGNMENT TOOLS

APPENDIX A

PARTS LIST		
QNTY	LABEL	NAME
1	LVH1	LEFT VERTICAL HINGED
1	RVH1	RIGHT VERTICAL HINGED
2	BH1	BOTTOM HORIZONTAL
2	MH1	MIDDLE HORIZONTAL
2	TH1	TOP HORIZONTAL
2	CVH1	CENTER VERTICAL HINGED
20	GRN	1" GREEN THUMB SCREW
4	RED	2" RED THUMB SCREW

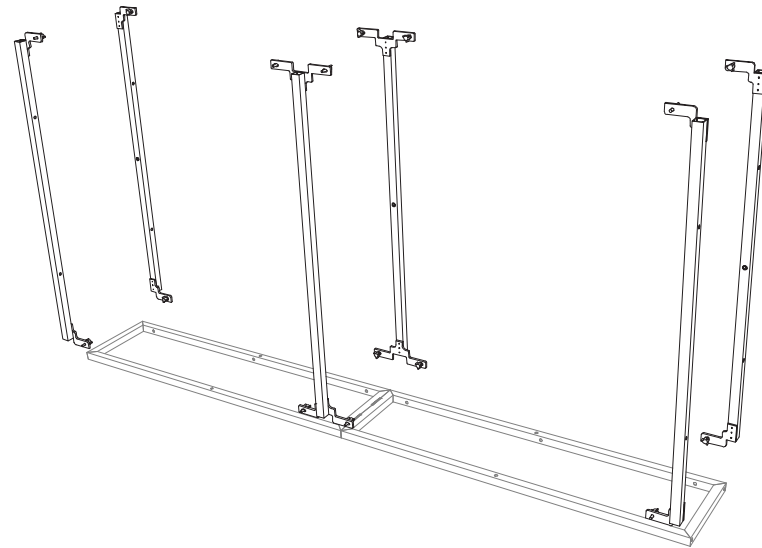
1st Step)

START WITH THE LEFT VERTICAL HINGED (LVH1) ON THE GROUND



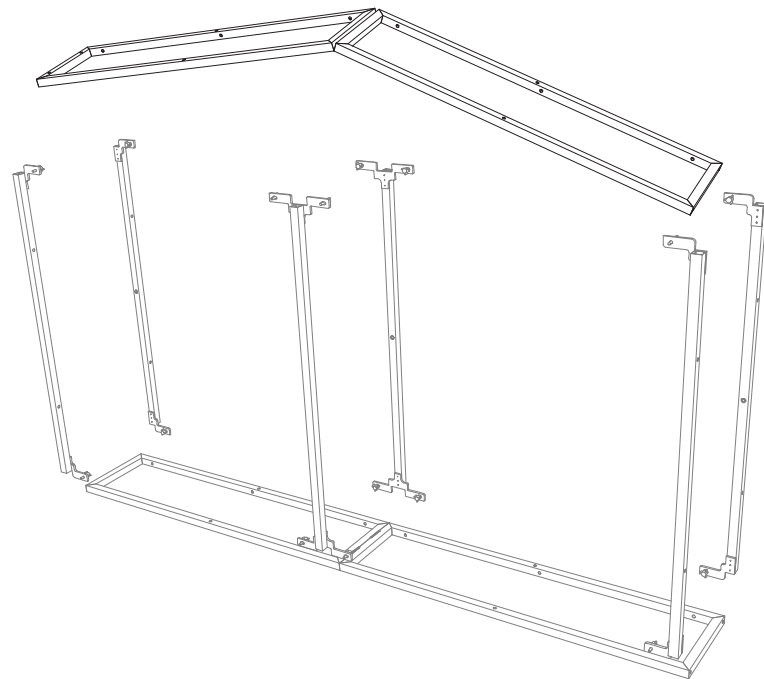
2nd Step)

ATTACH THE (2) TOP HORIZONTAL (TH1), THE (2) MIDDLE HORIZONTAL (MH1), AND THE (2) BOTTOM HORIZONTAL (BH1)



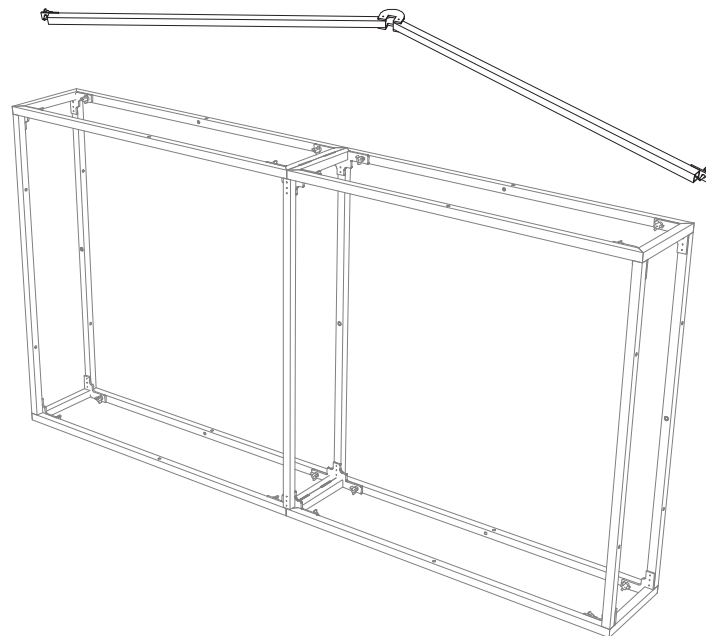
3rd Step)

ATTACH THE RIGHT HINGED SIDE (RVH1)

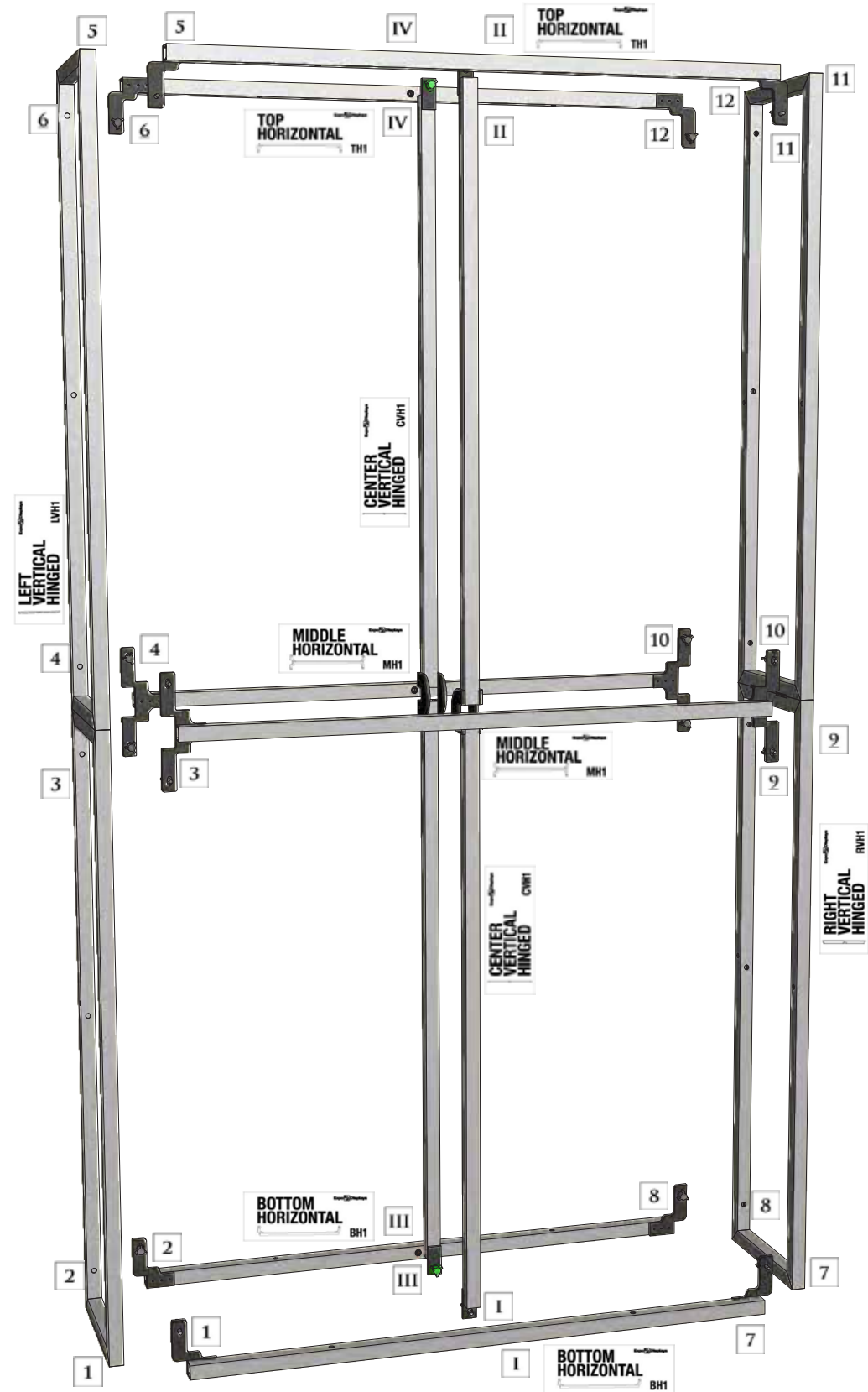


4th Step)

ATTACH THE (2) CENTER VERTICAL HINGED (CVH1) AND STAND UP-RIGHT



*MATCH NUMBERS TO CONSTRUCT



Expo Displays

3401 Mary Taylor Road
Birmingham, Alabama 35235
(205) 439-8200

Drawn By: AKHIII

THIS PART USED TO MAKE
MQ-F24
2x4 STANDARD FRAME

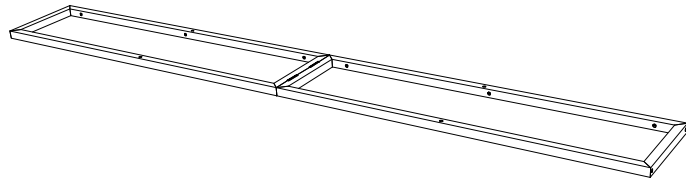
ASSEMBLY
INSTRUCTIONS
2x4 STANDARD FRAME
MQ-F24

APPENDIX B

PARTS LIST		
QNTY	LABEL	NAME
1	LVH1	LEFT VERTICAL HINGED
1	RVH1	RIGHT VERTICAL HINGED
2	BH1	BOTTOM HORIZONTAL
2	MH1	MIDDLE HORIZONTAL
2	TH1	TOP HORIZONTAL
3	CVH2	CENTER VERTICAL HALF
24	GRN	1" GREEN THUMB SCREW
4	RED	2" RED THUMB SCREW

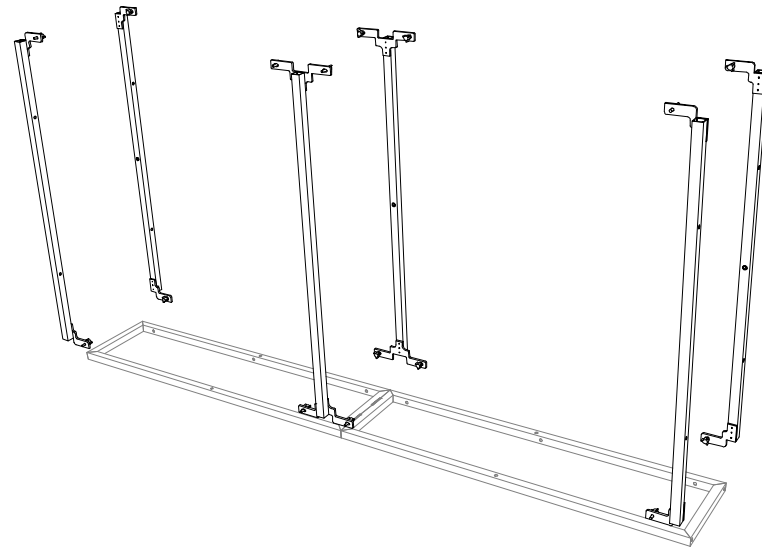
1st Step)

START WITH THE LEFT VERTICAL HINGED (LVH1) ON THE GROUND



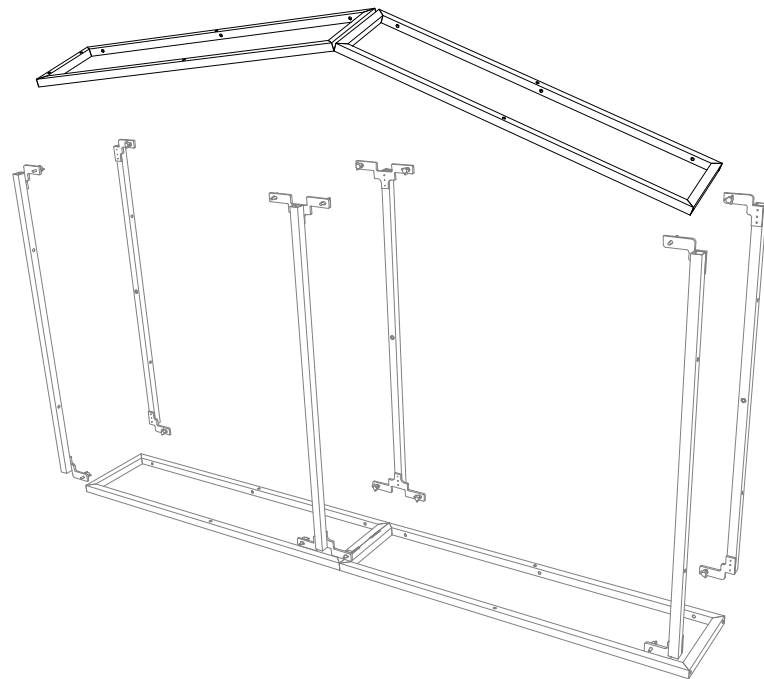
2nd Step)

ATTACH THE (2) TOP HORIZONTAL (TH1), THE (2) MIDDLE HORIZONTAL (MH1), AND THE (2) BOTTOM HORIZONTAL (BH1)



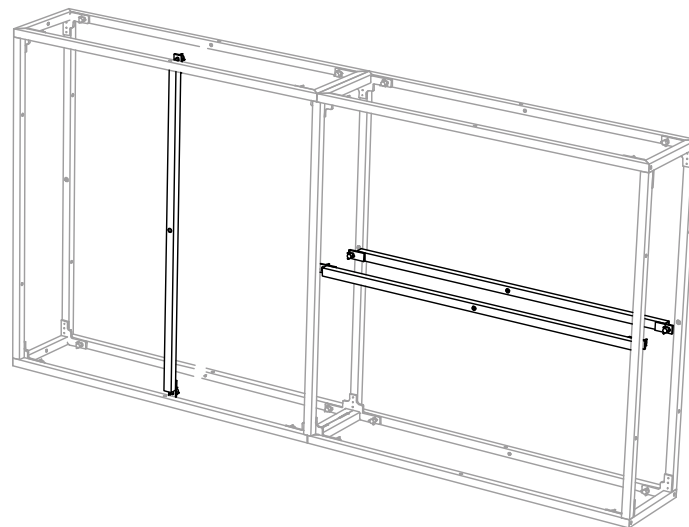
3rd Step)

ATTACH THE RIGHT HINGED SIDE (RVH1)



4th Step)

ATTACH THE (3) CENTER VERTICAL HALF (CVH2) HORIZONTALLY AND VERTICAL AS SHOWN AND STAND UP-RIGHT



*MATCH NUMBERS TO CONSTRUCT



Expo Displays

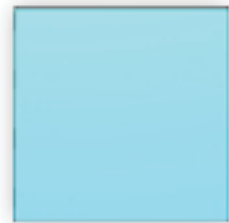
3401 Mary Taylor Road
Birmingham, Alabama 35235
(205) 439-8200

Drawn By: CASS

THIS PART USED TO MAKE
MQ-F24
2x4 STANDARD FRAME
HORIZONTAL TOP

ASSEMBLY INSTRUCTIONS
2x4 STANDARD FRAME
MQ-F24 W/ HORIZONTAL TOP

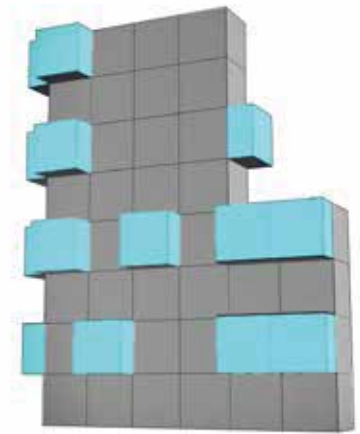
MultiQuad[®] Extended Frames



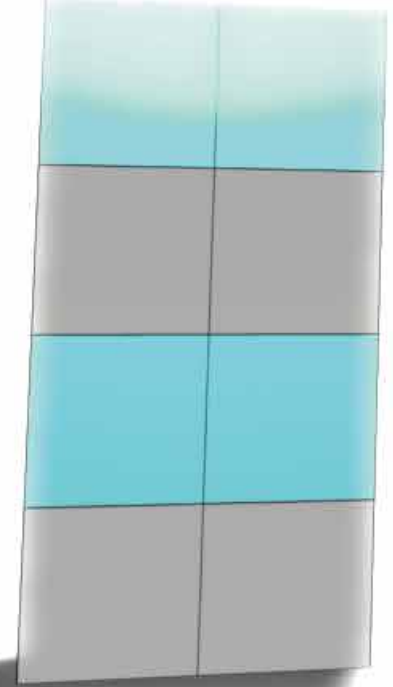
Areas an **Extended Frame** can be attached



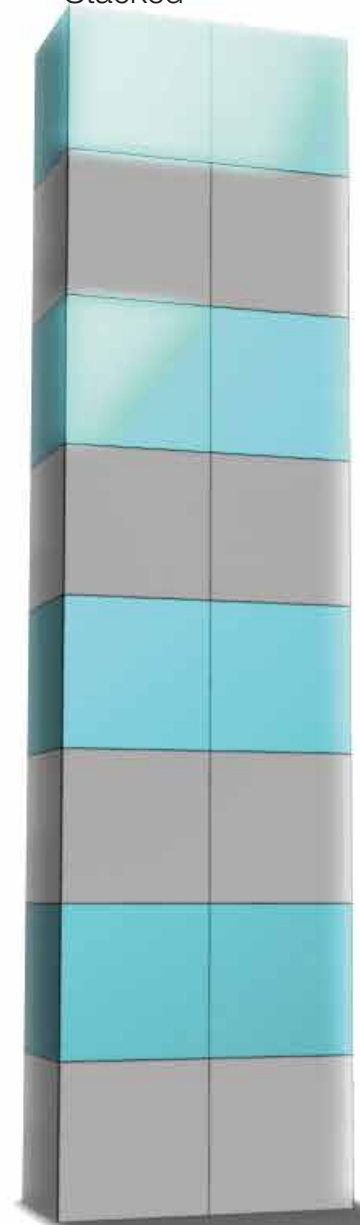
Extended Frame Clip
MQ-EFC
Clip is used to connect the Extended Frames to the MultiQuad Towers.



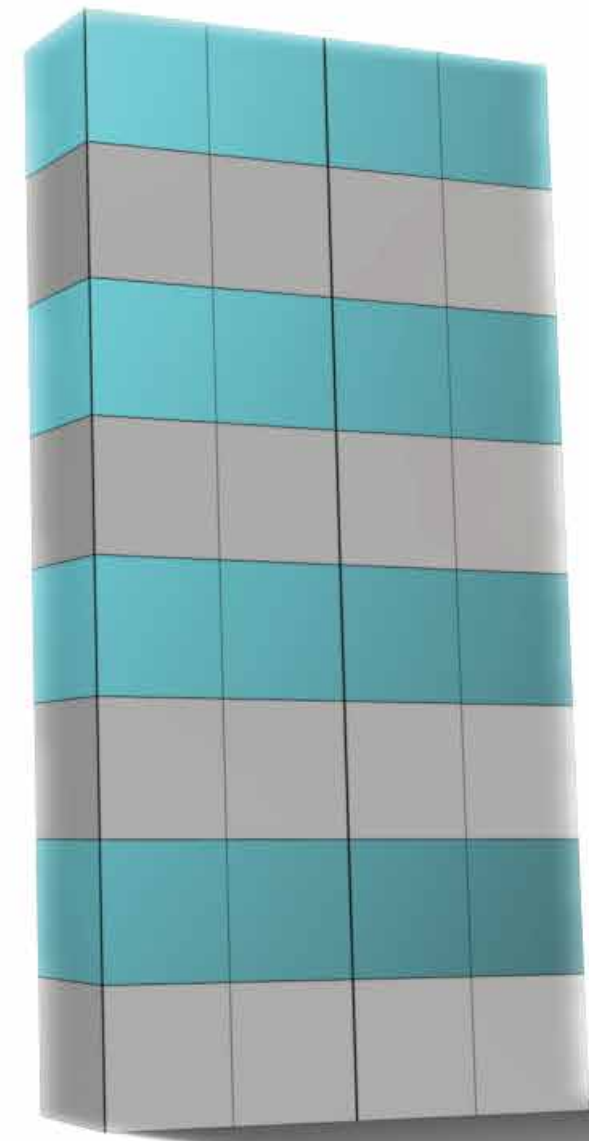
8ft Tower
MQXF24



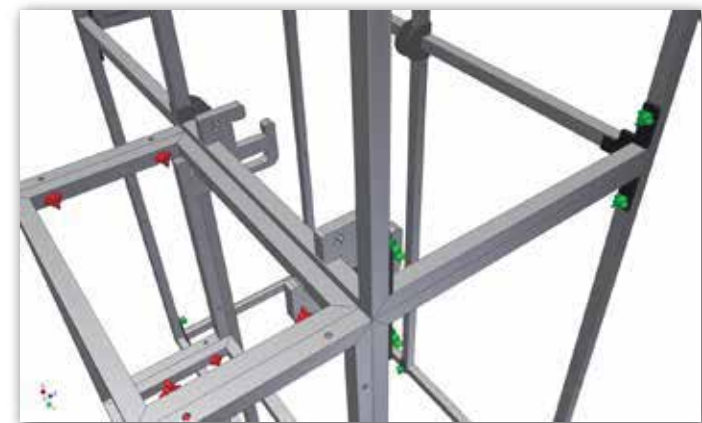
16ft Tower
(2) MQXF24
Stacked



(2) 16ft Towers
(4) MQXF24 Stacked
and Connected using
thumbscrews



1st Step)
SNAP THE CLIP (MQ-EFC) TO THE MULTIQUAD FRAME.

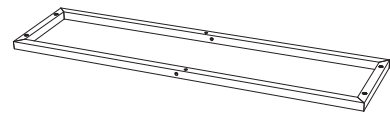


2nd Step)
DROP THE EXTENDED FRAME OVER THE CLIP SO THAT IT SECURELY HANGS.

PARTS LIST		
QNTY	LABEL	NAME
1	LVR1	LEFT VERTICAL RECTANGLE
1	RVR1	RIGHT VERTICAL RECTANGLE
1	BHR1	BOTTOM HORIZONTAL RECT.
1	THR1	TOP HORIZONTAL RECT.
2	CVH2	CENTER VERTICAL HALF
20	GRN	1" GREEN THUMB SCREW
4	RED	2" RED THUMB SCREW
1	CT1246	MQ-F22C COUNTERTOP

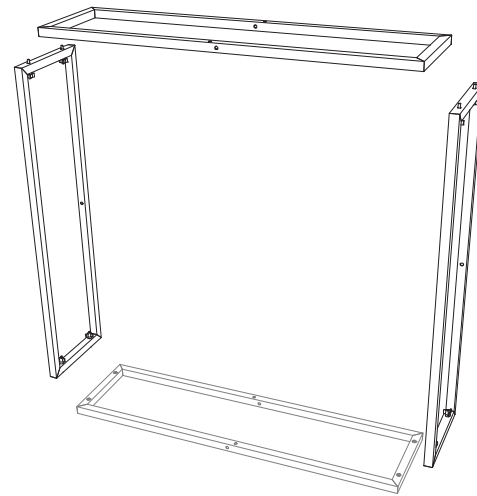
1st Step)

START WITH THE LEFT VERTICAL (LVR1) ON THE GROUND



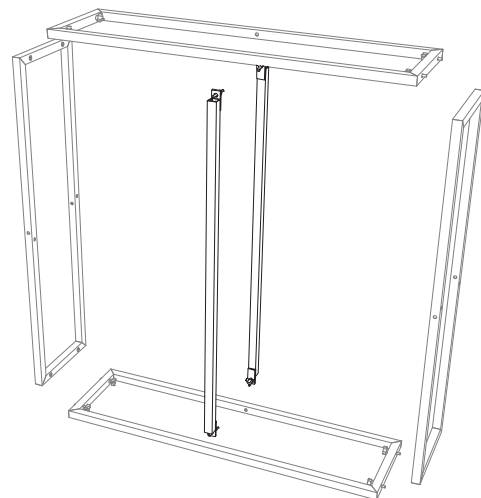
2nd Step)

ATTACH THE TOP HORIZONTAL (THR1), THE BOTTOM HORIZONTAL (BHR1), AND THE RIGHT VERTICAL (RVR1)



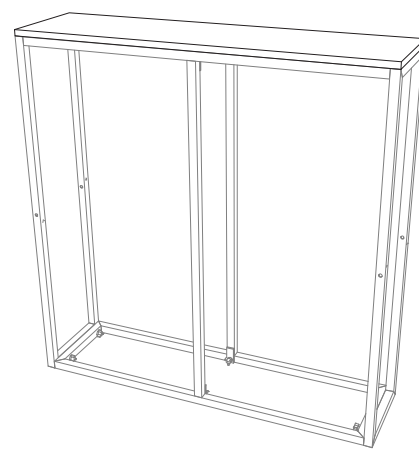
3rd Step)

ATTACH THE (2) CENTER VERTICAL (CVH2)

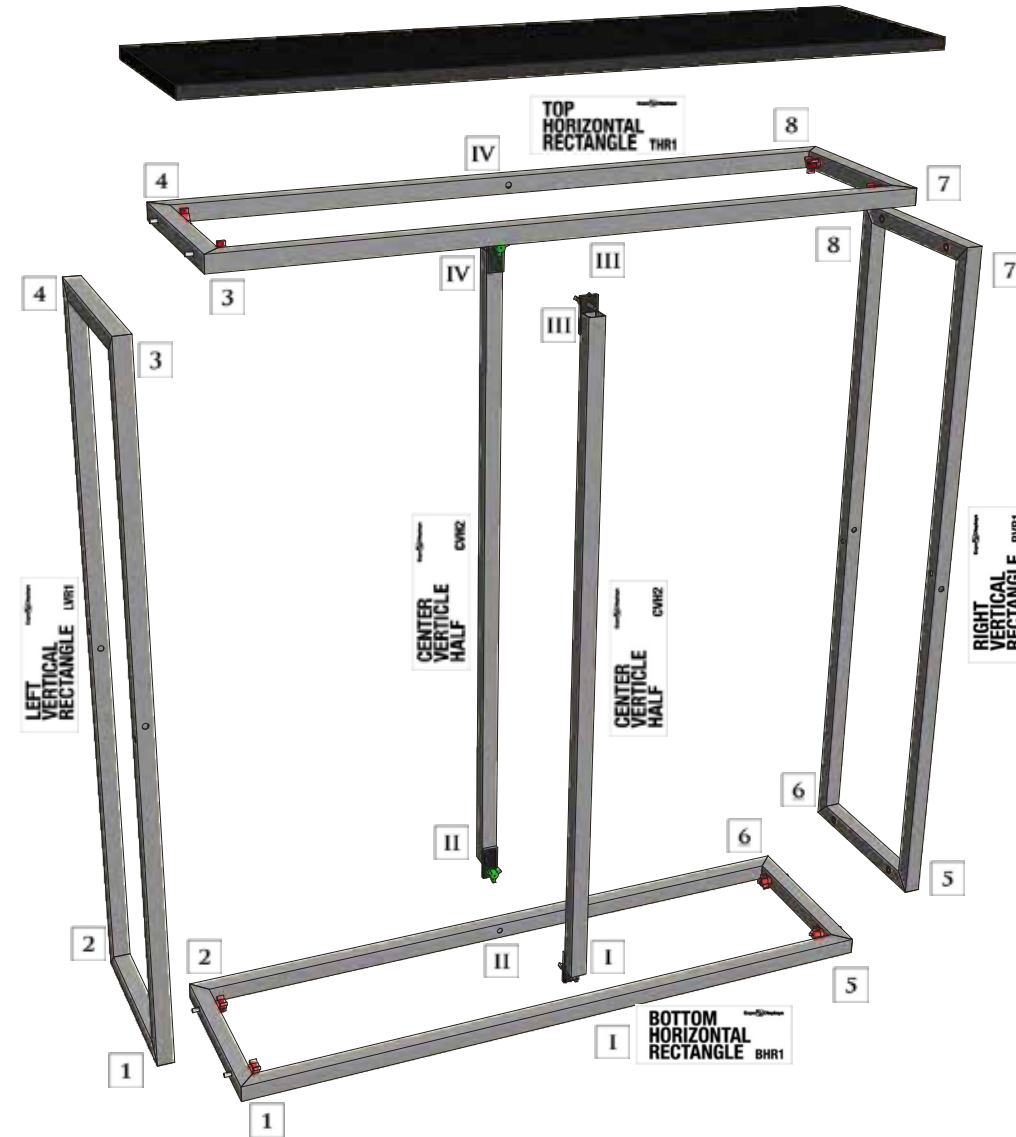


4th Step)

ATTACH THE COUNTERTOP



*MATCH NUMBERS TO CONSTRUCT



Expo Displays

3401 Mary Taylor Road
Birmingham, Alabama 35235
(205) 439-8200

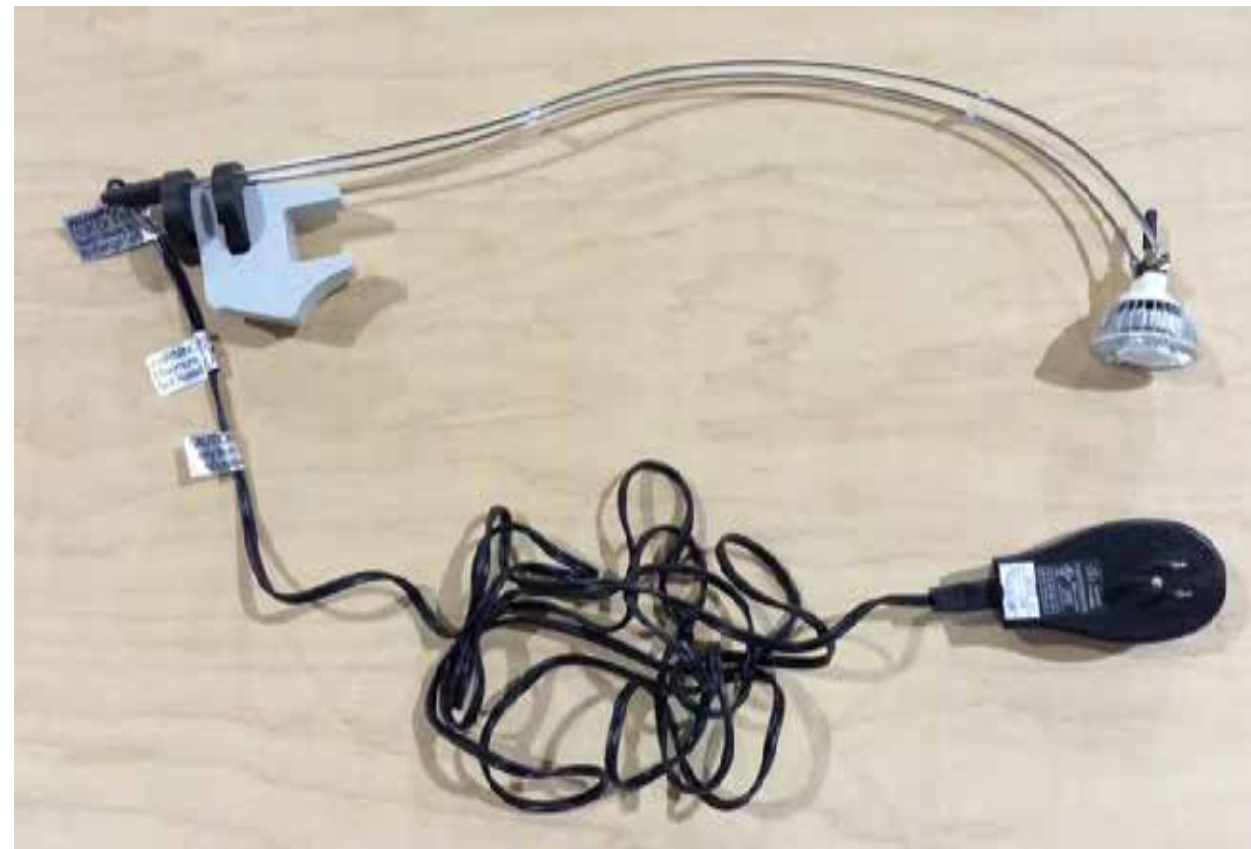
Drawn By: AKHIII

THIS PART USED TO MAKE
MQ-F22C
2x2 STANDARD COUNTER



ASSEMBLY INSTRUCTIONS
2x2 STANDARD COUNTER
MQ-F22C

APPENDIX E



WAVE STEM LIGHT (FULLY ASSEMBLED)



WAVE STEM LIGHT (INSTALLED)



WAVE STEM LIGHT (INSTALLED - CLOSE UP)

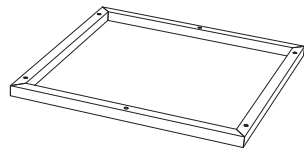
Sheet Title

**ASSEMBLY
INSTRUCTIONS**
WAVE STEM LIGHT

PARTS LIST		
QNTY	LABEL	NAME
1	LVRX2	LEFT VERTICAL RECTANGLE
1	RVRX2	RIGHT VERTICAL RECTANGLE
1	BHRX1	BOTTOM HORIZONTAL RECT.
1	THRX1	TOP HORIZONTAL RECT.
2	CVH3	CENTER VERTICAL HALF
4	GRN	1" GREEN THUMB SCREW
8	RED	2" RED THUMB SCREW

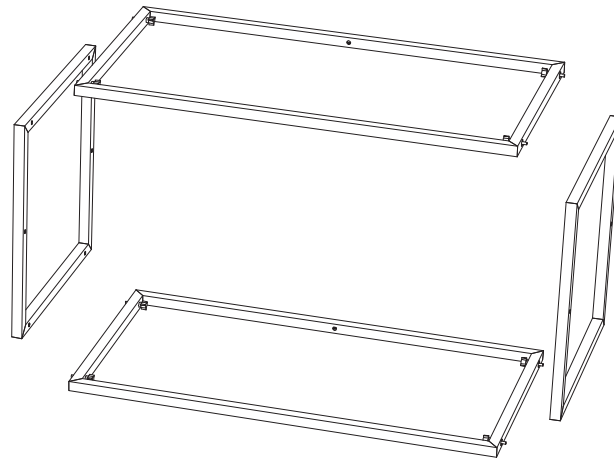
1st Step)

START WITH THE LEFT VERTICAL (LVRX2) ON THE GROUND



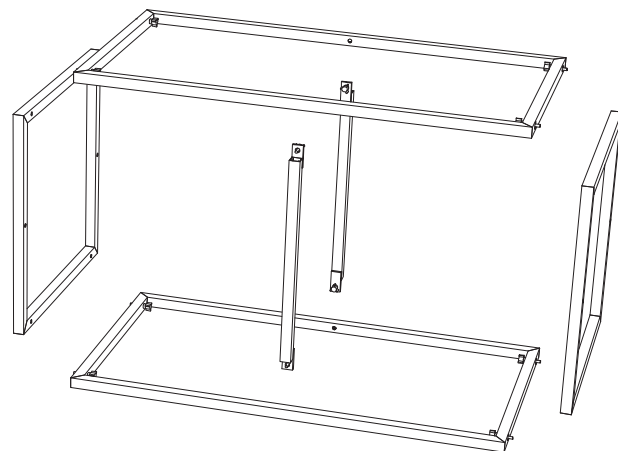
2nd Step)

ATTACH THE TOP HORIZONTAL (THRX1), THE BOTTOM HORIZONTAL (BHRX1), AND THE OTHER RIGHT VERTICAL (RVRX2)



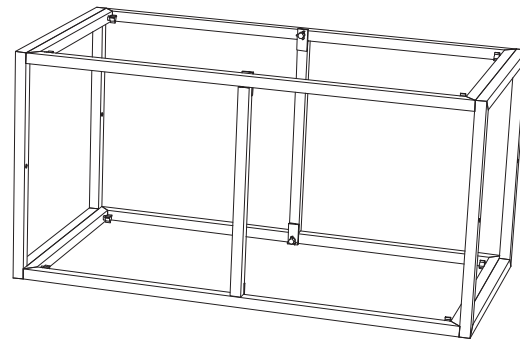
3rd Step)

ROTATE AND ATTACH THE (2) CENTER VERTICAL (CVH3)

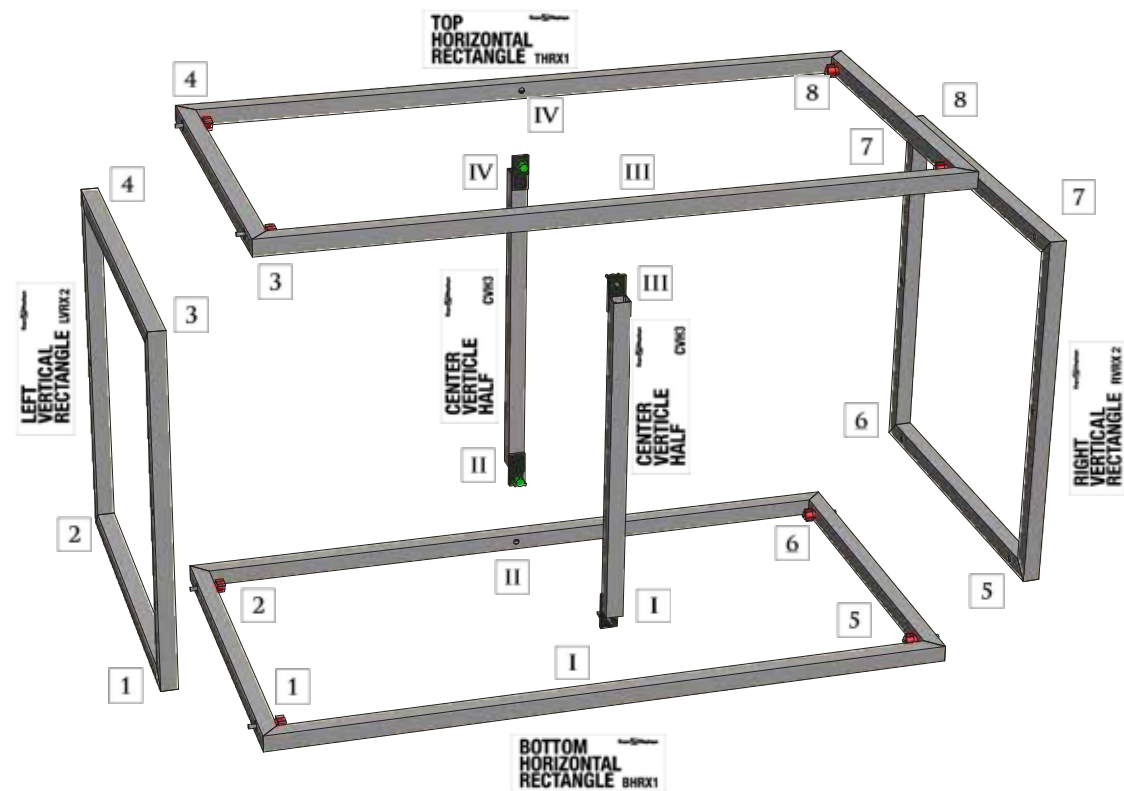


4th Step)

TIGHTEN ALL THUMB SCREWS



***MATCH NUMBERS TO CONSTRUCT**



Expo Displays

3401 Mary Taylor Road
Birmingham, Alabama 35235
(205) 439-8200

Drawn By: JW



ASSEMBLY INSTRUCTIONS

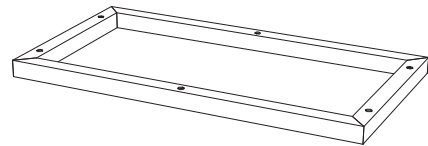
2x1 MAX FRAME
MQX-F21

APPENDIX S



1st Step)

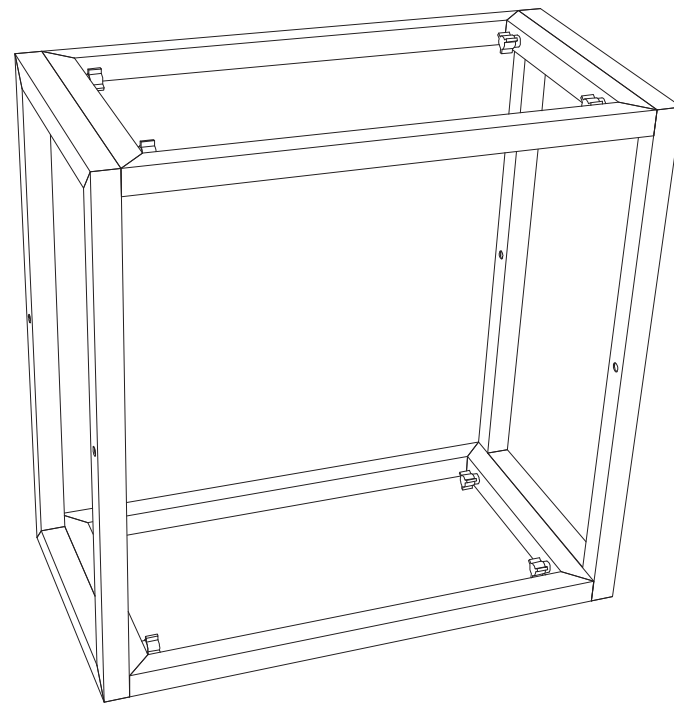
START WITH THE LEFT VERTICAL RECTANGLE (LVR1) ON THE GROUND



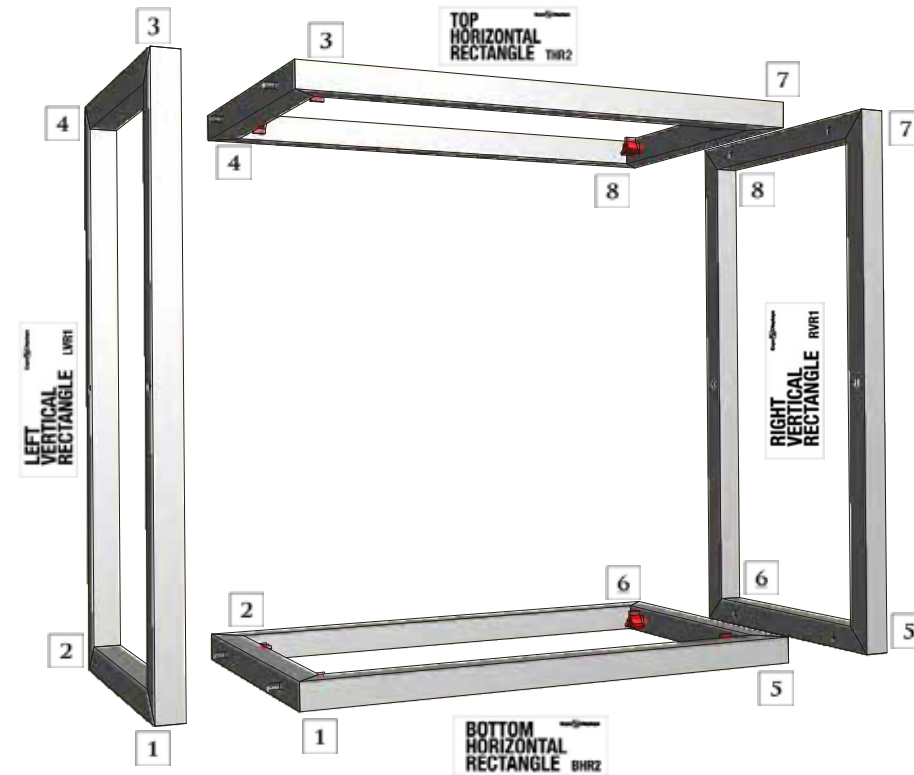
PARTS LIST		
QNTY	LABEL	NAME
1	LVR1	LEFT VERTICAL RECTANGLE
1	RVR1	RIGHT VERTICAL RECTANGLE
1	BHR2	BOTTOM HORIZONTAL RECT.
1	THR2	TOP HORIZONTAL RECT.
8	RED	2" RED THUMB SCREW

3rd Step)

STAND UP RIGHT

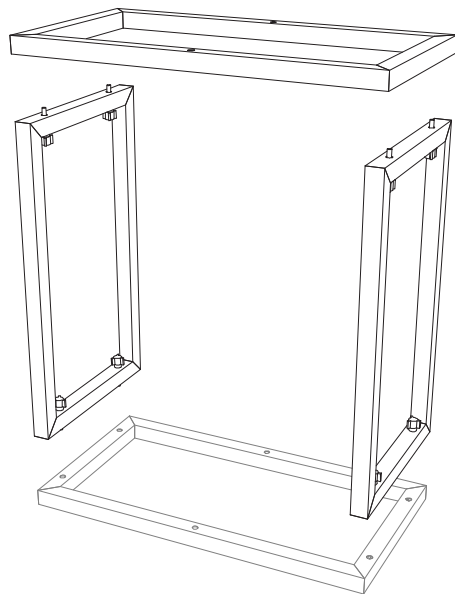


***MATCH NUMBERS TO CONSTRUCT**



2nd Step)

ATTACH THE TOP & BOTTOM HORIZONTAL (THR2, BHR2), THEN ATTACH THE RIGHT VERTICAL RECTANGLE

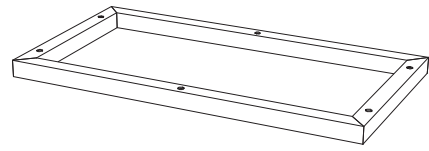




PARTS LIST		
QNTY	LABEL	NAME
1	LVR1	LEFT VERTICAL RECTANGLE
1	RVR1	RIGHT VERTICAL RECTANGLE
1	BHR2	BOTTOM HORIZONTAL RECT.
1	THR2	TOP HORIZONTAL RECT.
8	RED	2" RED THUMB SCREW

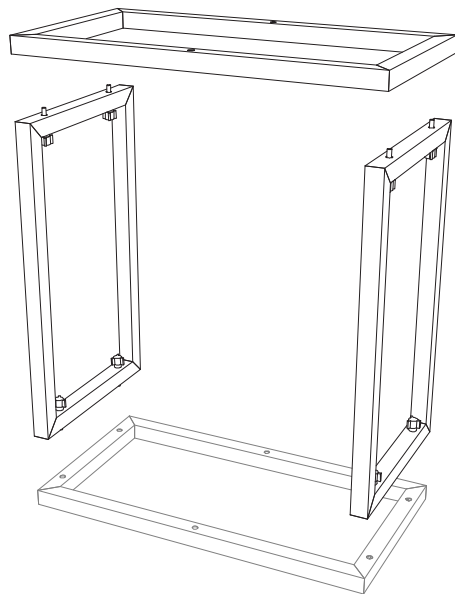
1st Step)

START WITH THE LEFT VERTICAL RECTANGLE (LVR1) ON THE GROUND



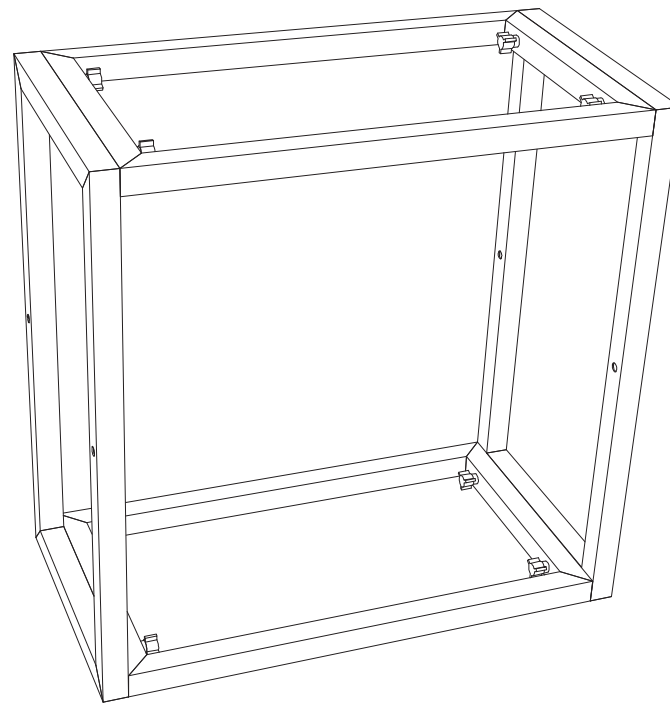
2nd Step)

ATTACH THE TOP & BOTTOM HORIZONTAL (THR2, BHR2), THEN ATTACH THE RIGHT VERTICAL RECTANGLE

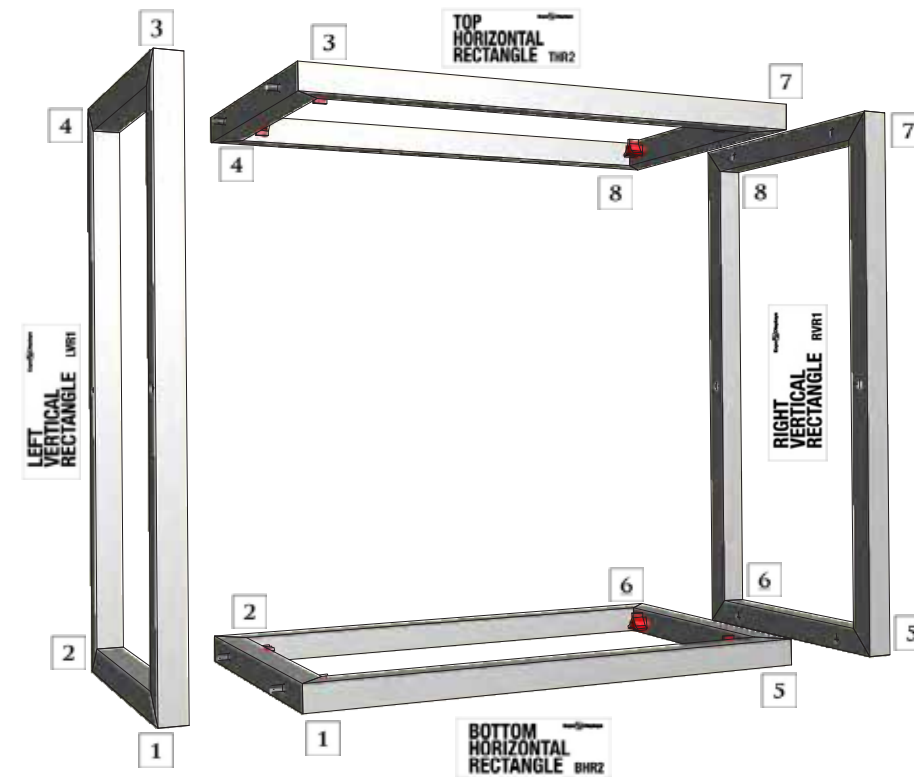


3rd Step)

STAND UP RIGHT



*MATCH NUMBERS TO CONSTRUCT



PARTS LIST		
QNTY	LABEL	NAME
1	LVPX1	LEFT VERTICAL RECTANGLE
1	RVPX1	RIGHT VERTICAL RECTANGLE
1	BHRX2	BOTTOM HORIZONTAL RECT.
1	THRX2	TOP HORIZONTAL RECT.
1	SSPODX1	SHELF
1	CTPODX1	PODIUM COUNTER TOP
12	RED	2" RED THUMB SCREW

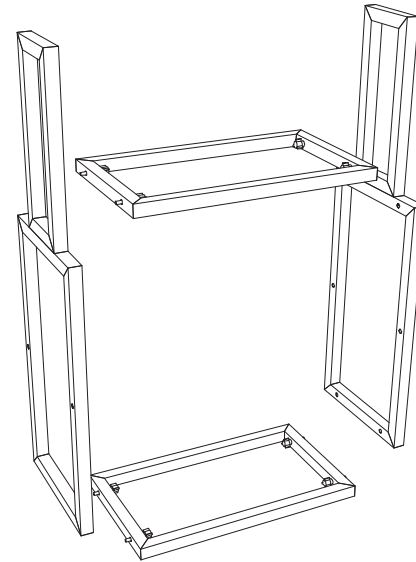
Joining Multiple Podiums)

ATTACH MULTIPLE PODIUMS BY RUNNING THE 2" RED THUMBSCREWS THROUGH THE OPEN HOLES OF ONE PODIUM INTO THE THREADED INSERTS OF ANOTHER



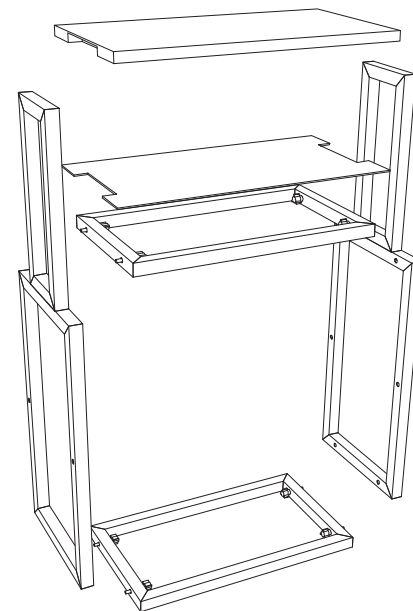
1st Step)

START WITH THE BOTTOM HORIZONTAL (BHRX2) ON THE GROUND. ATTACH THE LEFT VERTICAL (LVPX1), AND THE RIGHT VERTICAL (RVPX1). THEN ATTACH THE TOP HORIZONTAL (THRX2)

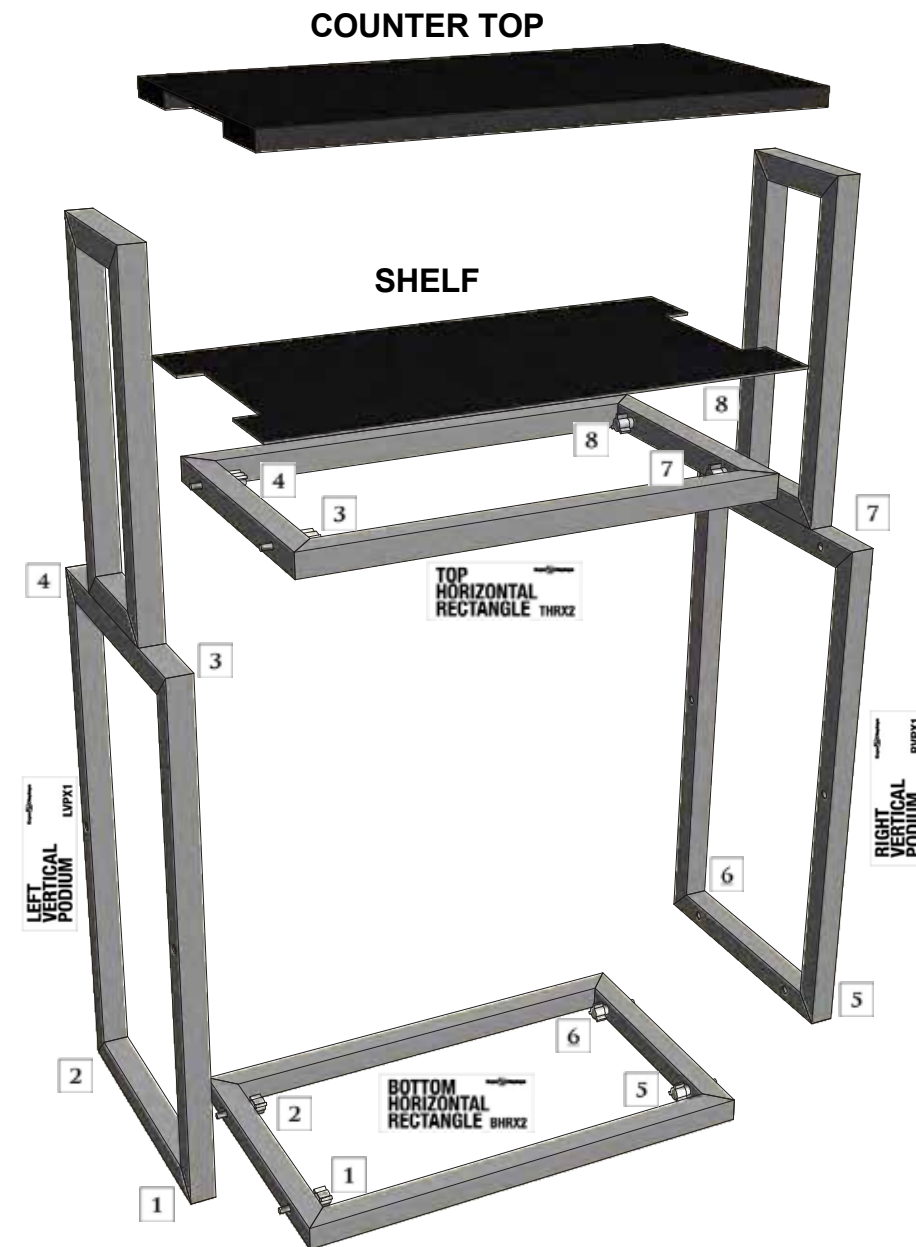


2nd Step)

ATTACH THE PODIUM COUNTERTOP AND THE PODIUM SHELF



*MATCH NUMBERS TO CONSTRUCT



THIS PART USED TO MAKE
MQX-POD1
1x1 MAX PODIUM