

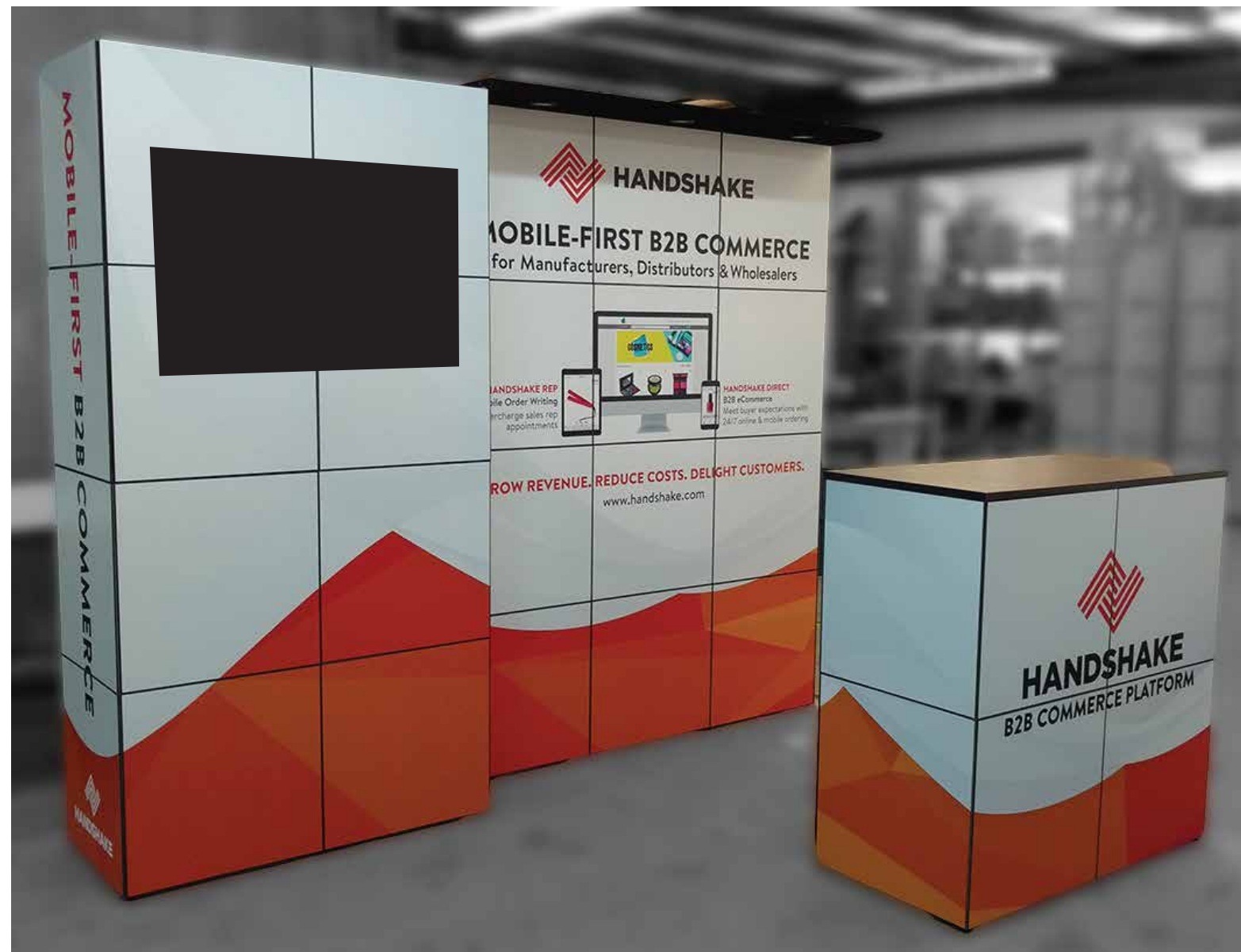
WHEN ASSEMBLING **EXPO MultiQuad**[®]

REMEMBER YOUR **ABC**'s...

ASSEMBLE EACH COMPONENT SEPARATELY

BUILD THE DESIRED LAYOUT

COVER YOUR MULTIQUAD LAYOUT WITH QUADS



Expo **EXPO** Displays[®]
A Division of Diamond Displays International

3401 Mary Taylor Road
Birmingham, Alabama 35235
(205) 439-8200

Project Title

10x10 MULTIQUAD[®]

Sheet Title

ASSEMBLY
INSTRUCTIONS
COVER SHEET

EXPO MultiQuad[®]
An Expo Displays Product

Handshake NYC
10 x 10 Custom MultiQuad[®]

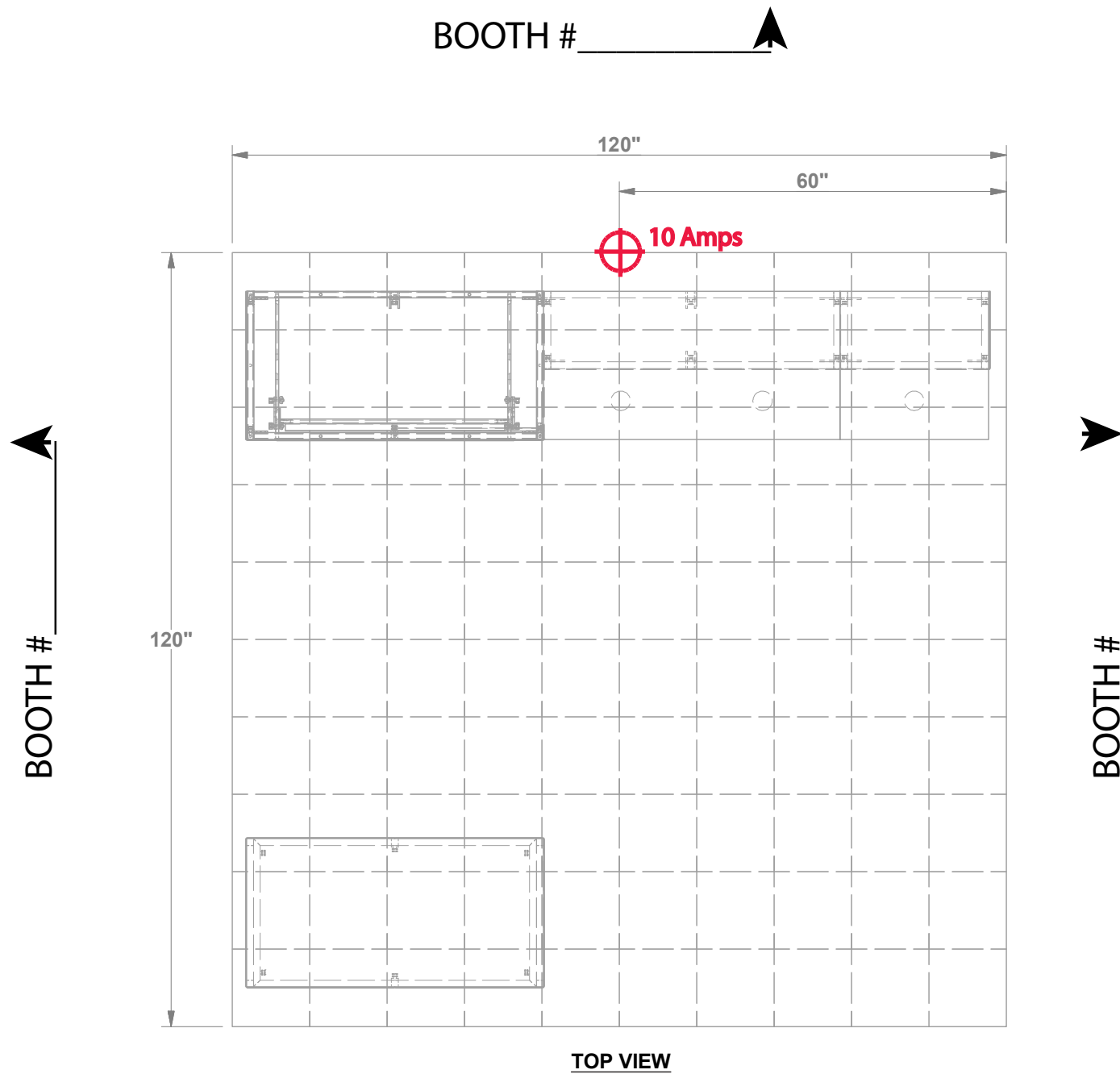


Project Title

10x10 MULTIQAD®

Sheet Title

**ASSEMBLY INSTRUCTIONS
ELECTRICAL PLAN**



TOP VIEW

BOOTH # _____
FRONT OF DISPLAY

	MAIN ELECTRICAL DROP
	ELECTRICAL OUTLET
	POWER CORDS RUN UNDER CARPET

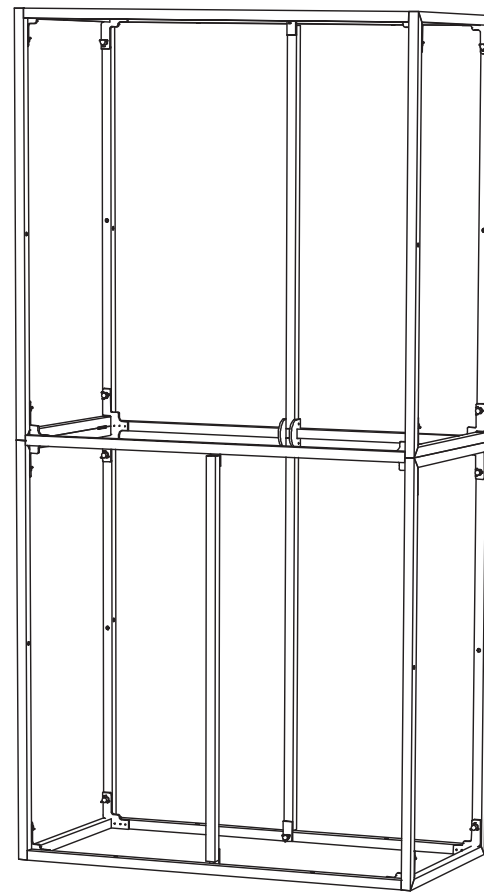
1 Square = 1'- 0"

SHOW: _____

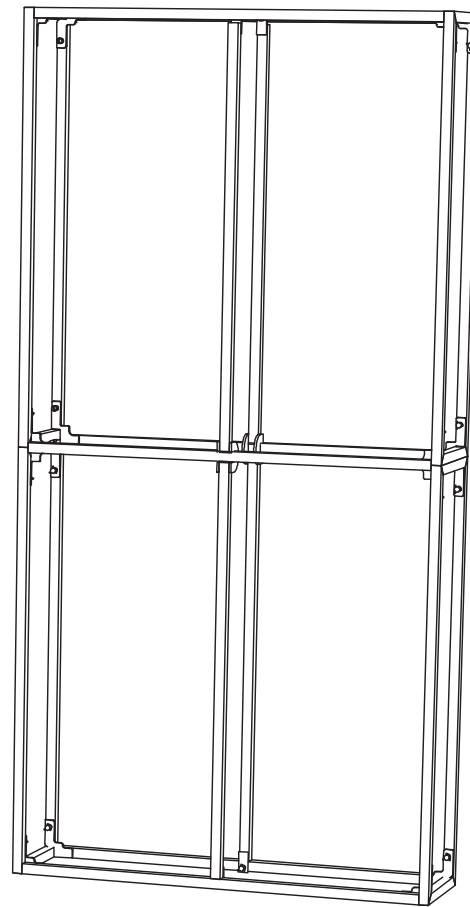
BOOTH: _____

ASSEMBLE ALL LISTED FRAMES SEPARATELY USING APPENDIX PAGES

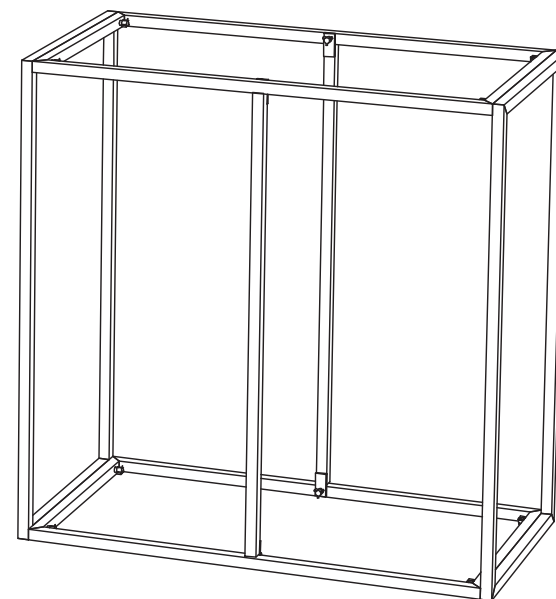
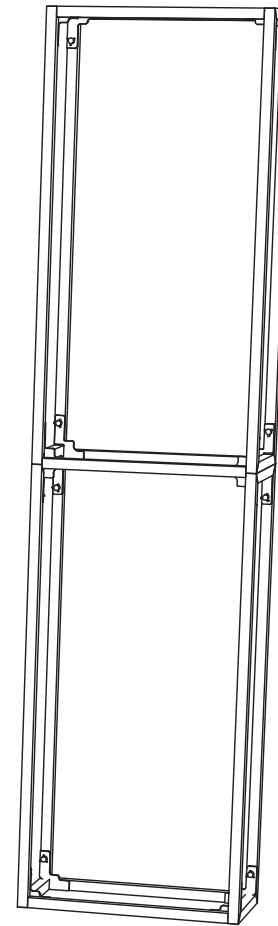
STANDARD FRAME
(SEE APPENDIX B)



MAX FRAME
(SEE APPENDIX J)



STANDARD FRAME
(SEE APPENDIX D)



MAX FRAME
(SEE APPENDIX L)



Expo EX PO Displays
A Division of Diamond Displays International

3401 Mary Taylor Road
Birmingham, Alabama 35235
(205) 439-8200

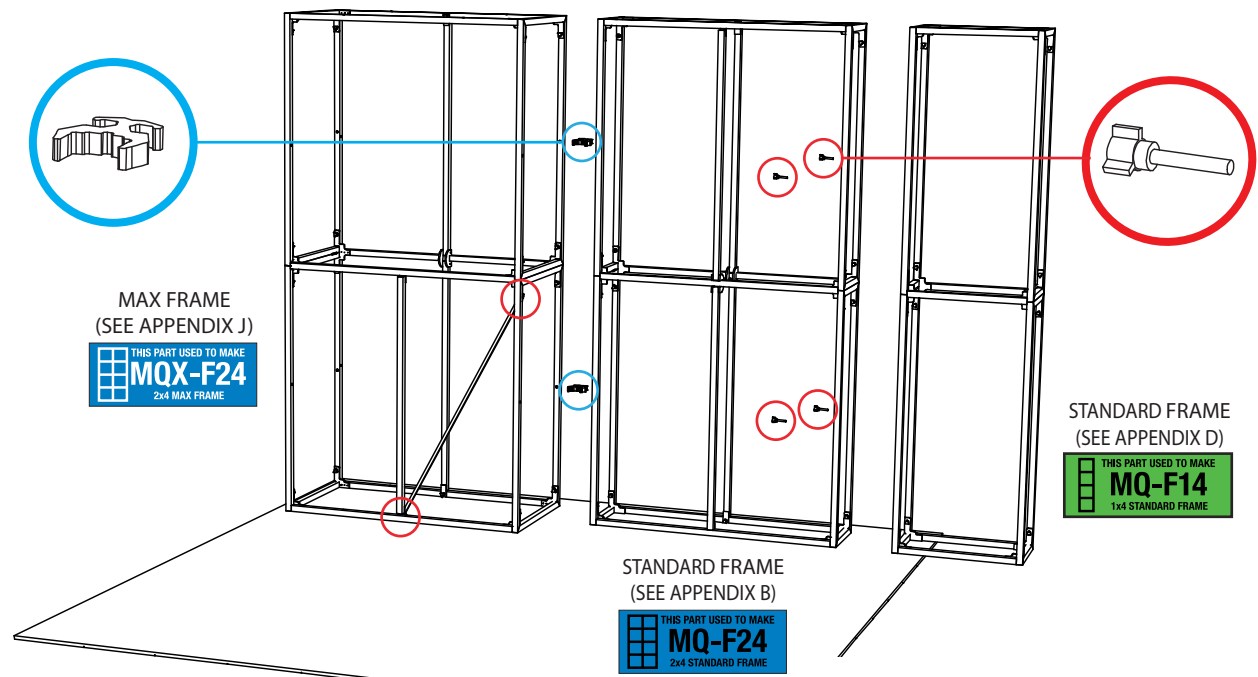
Project Title

10x10 MULTIQUAD ®

Sheet Title

ASSEMBLY
INSTRUCTIONS
EXPLODED LAYOUT

JOIN LISTED FRAMES ON LEFT END WITH PRESSURE CLAMPS

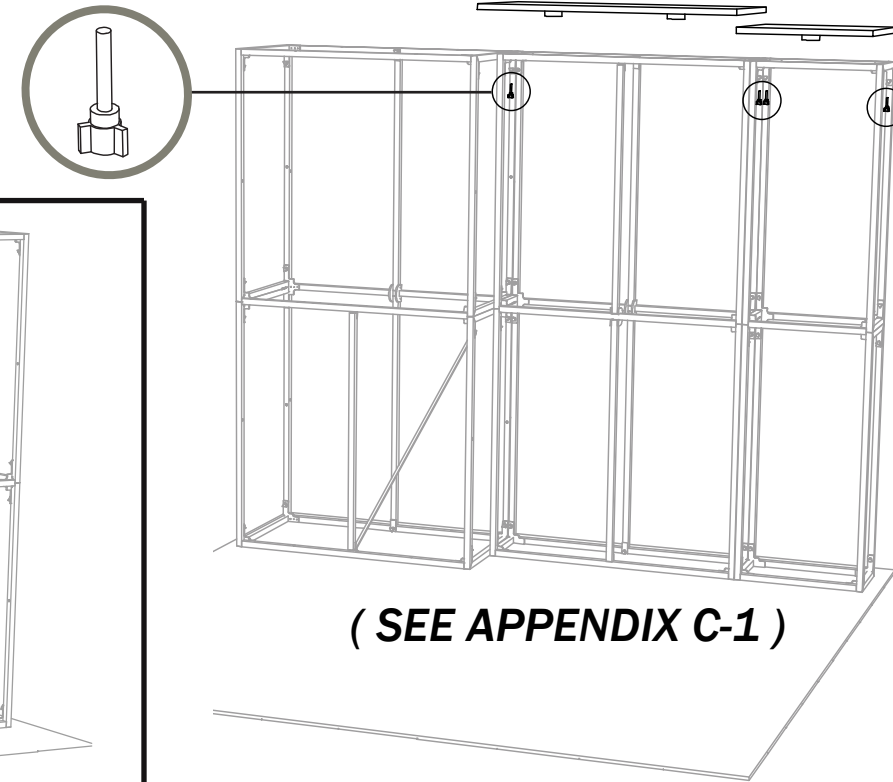
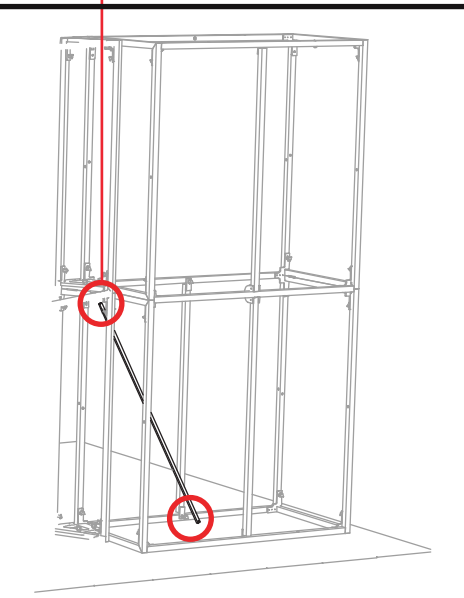


JOIN LISTED FRAMES ON RIGHT END WITH RED THUMBSCREWS

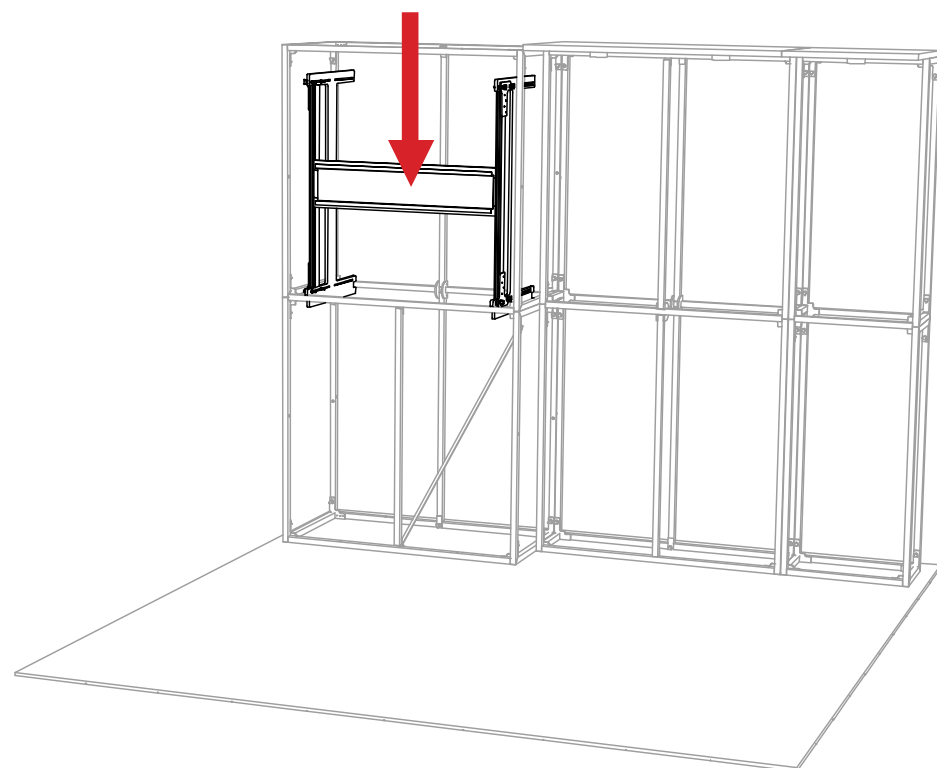
JOIN (1) 23 X 46 CANOPY AND (1) 23 X 23 CANOPY ON TOP WITH BLACK THUMBSCREWS



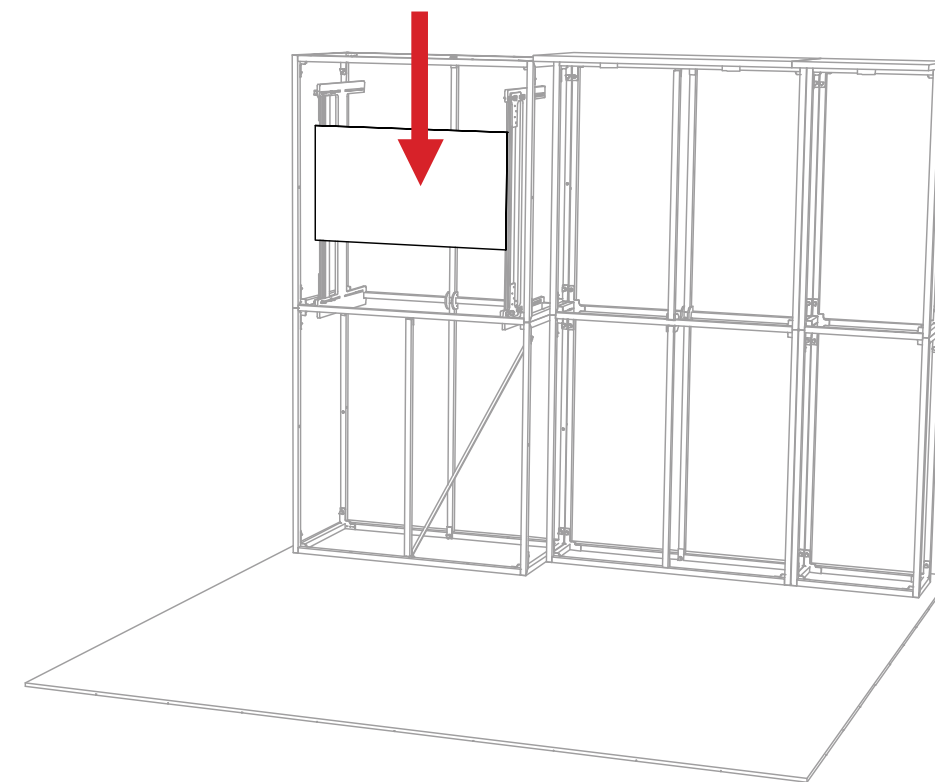
JOIN DIAGONALS ON MAX FRAME WITH RED THUMBSCREWS



ASSEMBLE MEDIA MOUNT (SEE APPENDIX J-7 FOR GENERAL DETAILS) INSIDE MAX FRAME



HANG TV ON MOUNT WITH PRE-ATTACHED HARDWARE



Expo EXPO Displays
A Division of Diamond Displays International

3401 Mary Taylor Road
Birmingham, Alabama 35235
(205) 439-8200

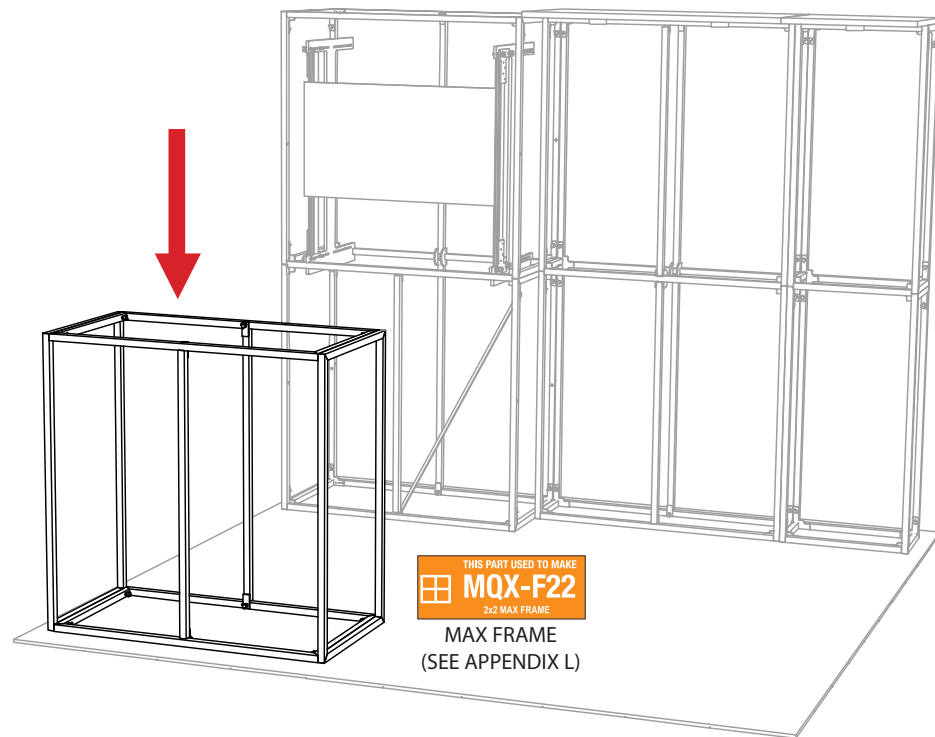
Project Title

10x10 MULTIQAD®

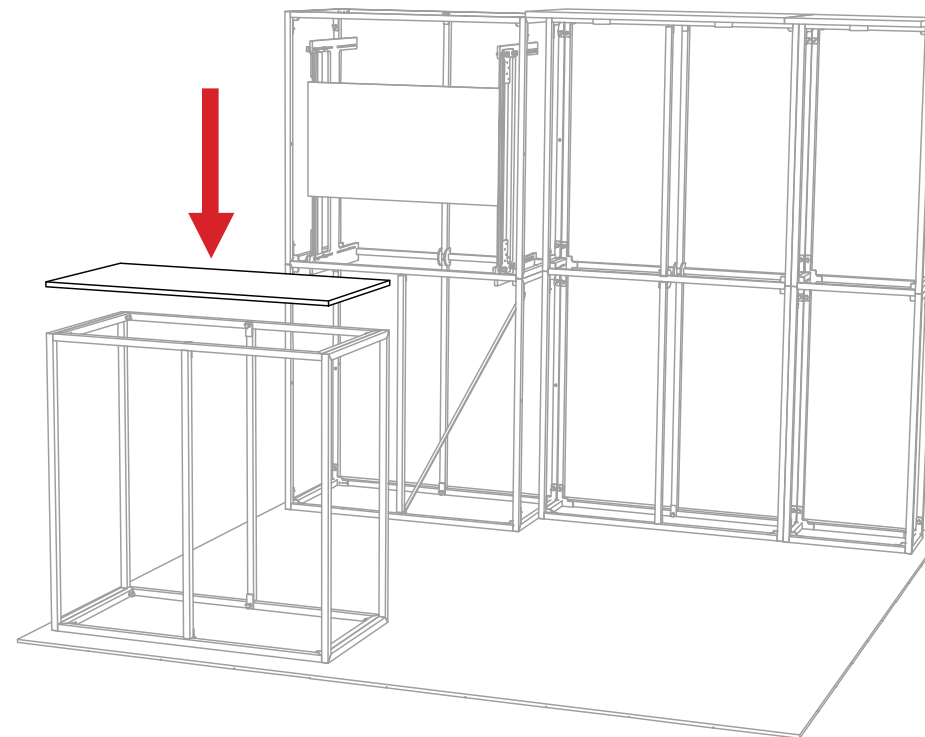
Sheet Title

**ASSEMBLY INSTRUCTIONS
MAIN WALL ASSEMBLY**

PLACE LISTED FRAME IN CORNER OF FLOORSPACE
OR WHERE DESIRED



PLACE 23 X 46 COUNTERTOP ON
TOP OF FRONT COUNTER FRAME



EX PO MultiQuad
An ExpoDisplaysProduct



Expo EX PO Displays
A Division of Diamond Displays International

3401 Mary Taylor Road
Birmingham, Alabama 35235
(205) 439-8200

Project Title

10x10 MULTIQAD®

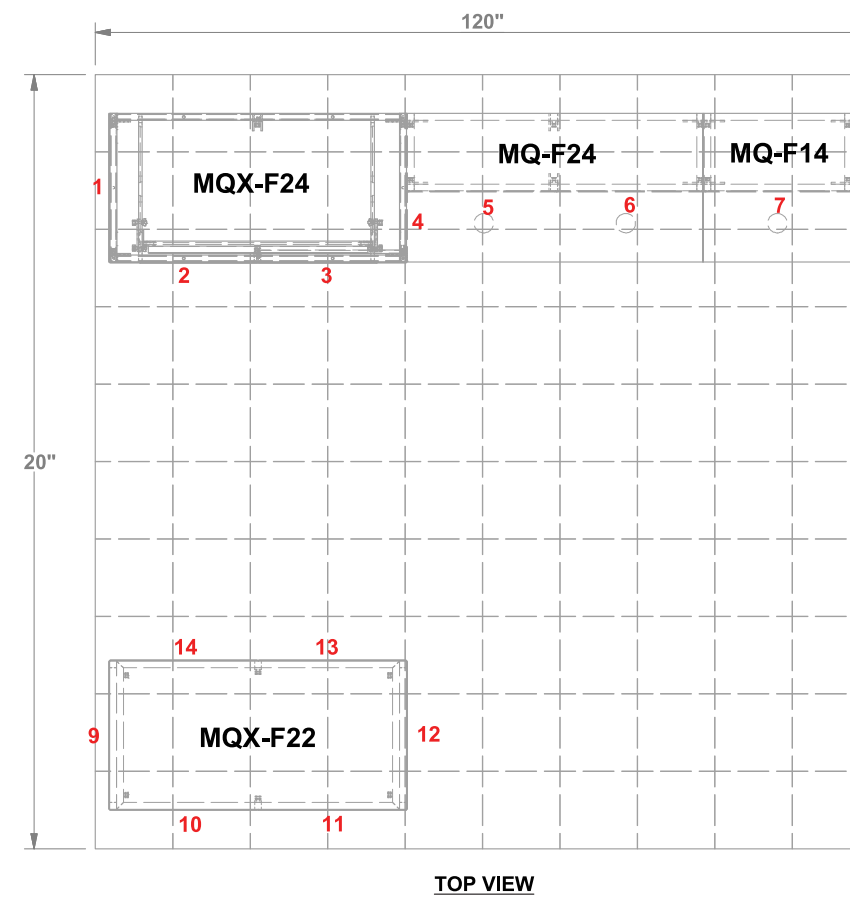
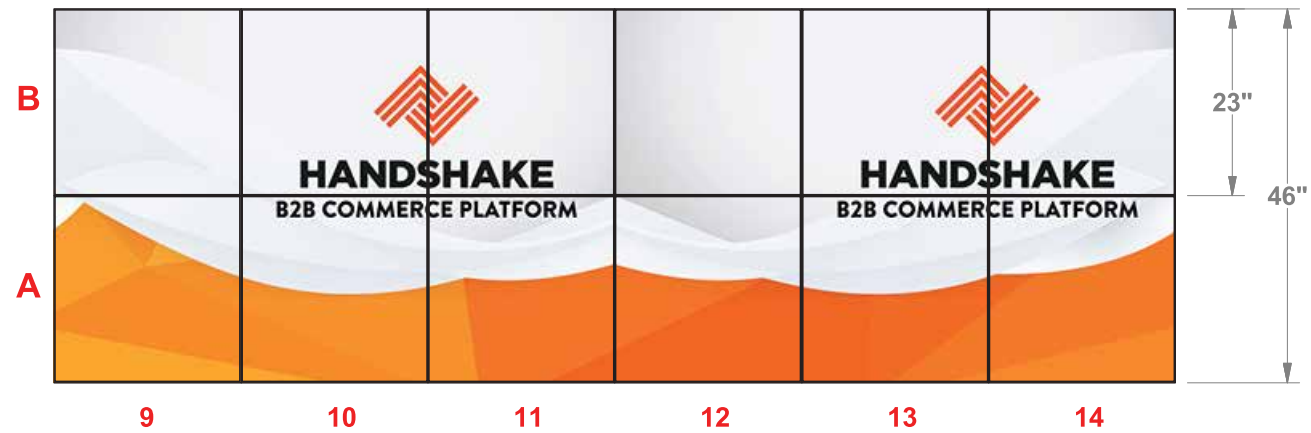
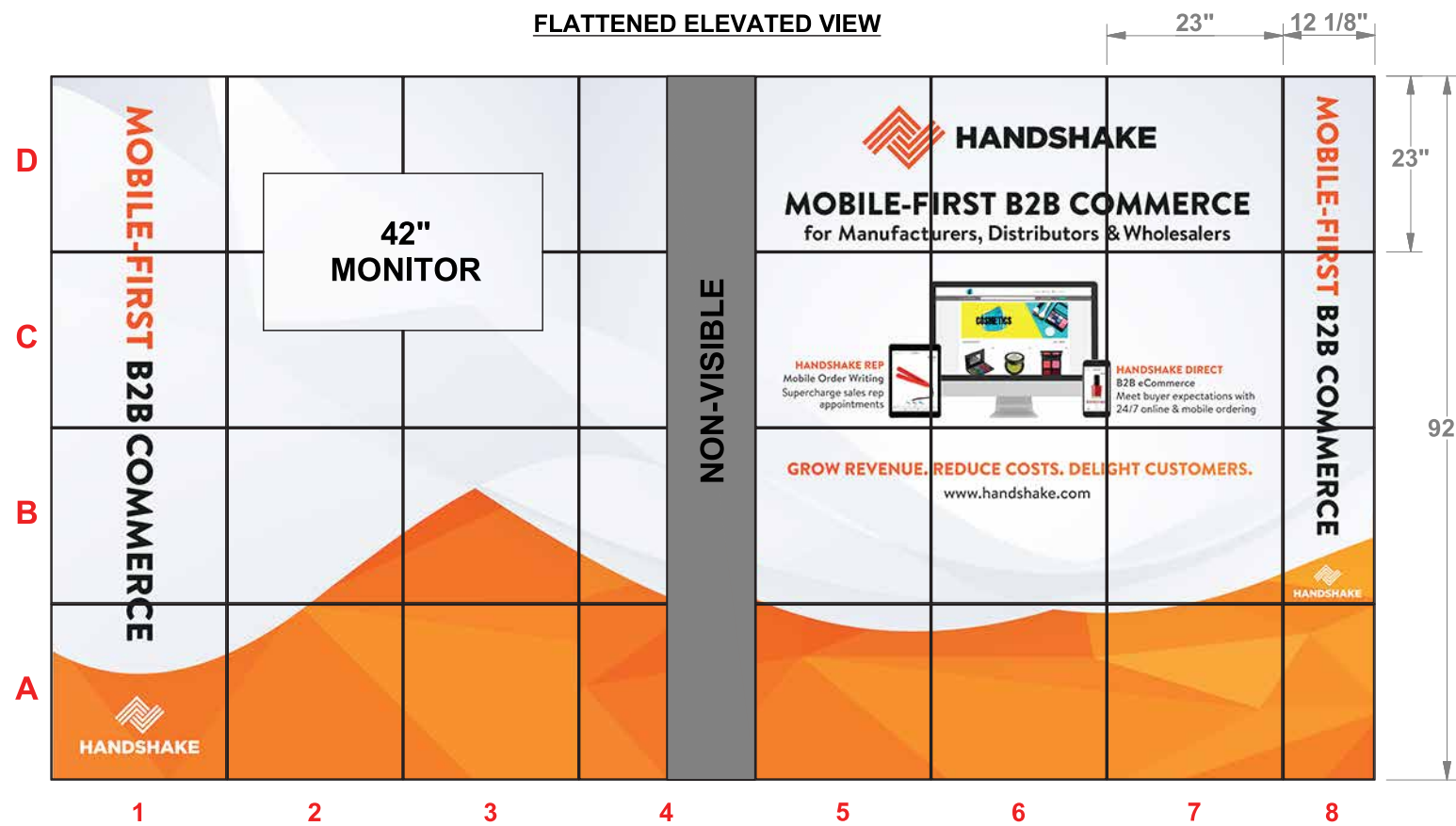
Sheet Title

ASSEMBLY
INSTRUCTIONS

COUNTER SET-UP

SEE GRAPHICS LAYOUT ON NEXT PAGE FOR QUAD PLACEMENT

FLATTENED ELEVATED VIEW



Expo EXPO Displays
A Division of Diamond Displays International

3401 Mary Taylor Road
Birmingham, Alabama 35235
(205) 439-8200

Project Title

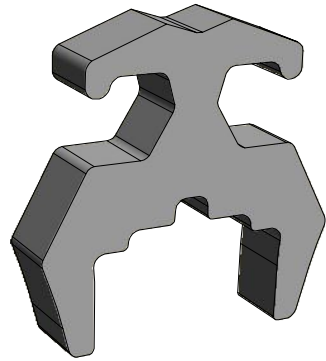
10x10 MULTIQUAD®

Sheet Title

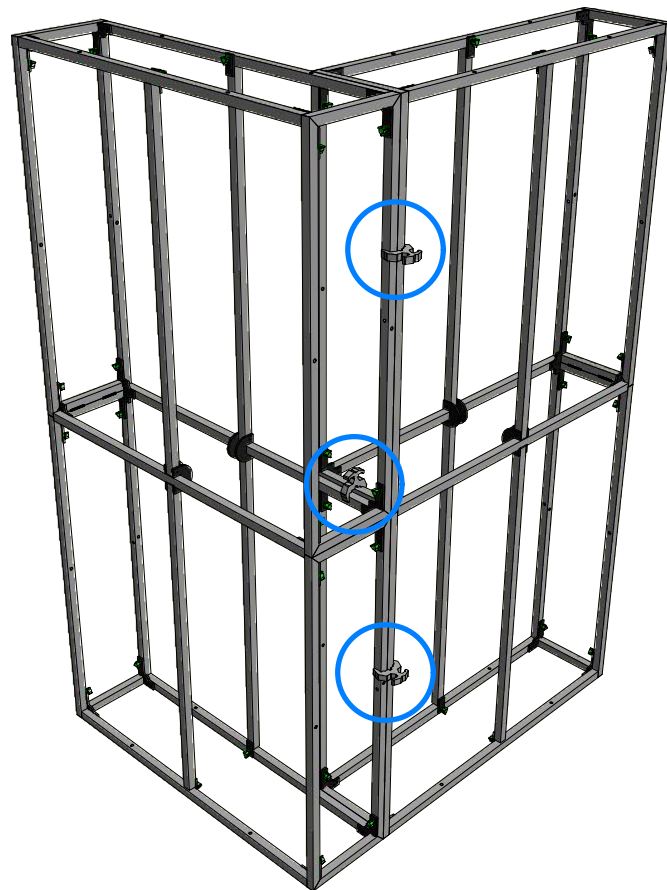
**ASSEMBLY
INSTRUCTIONS
GRAPHIC LAYOUT**

**FRAME CLAMP INSTRUCTION
MQ-CLMP**

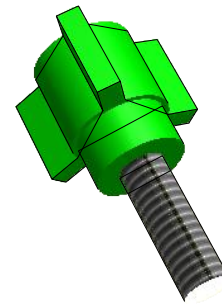
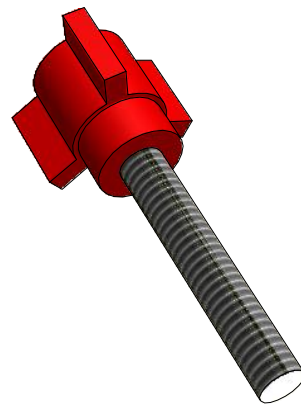
(NOT REQUIRED IN EVERY CONFIGURATION)



THE MQ-CLMP IS A FRICTION-FIT CONNECTOR / ALIGNMENT TOOL THAT DOES NOT REQUIRE TOOLS. THEY ARE TO BE USED IN ABNORMAL MULTIQUAD FRAME CONFIGURATIONS OR AS ADDITIONAL FRAME SECURITY IN SPECIAL SITUATIONS



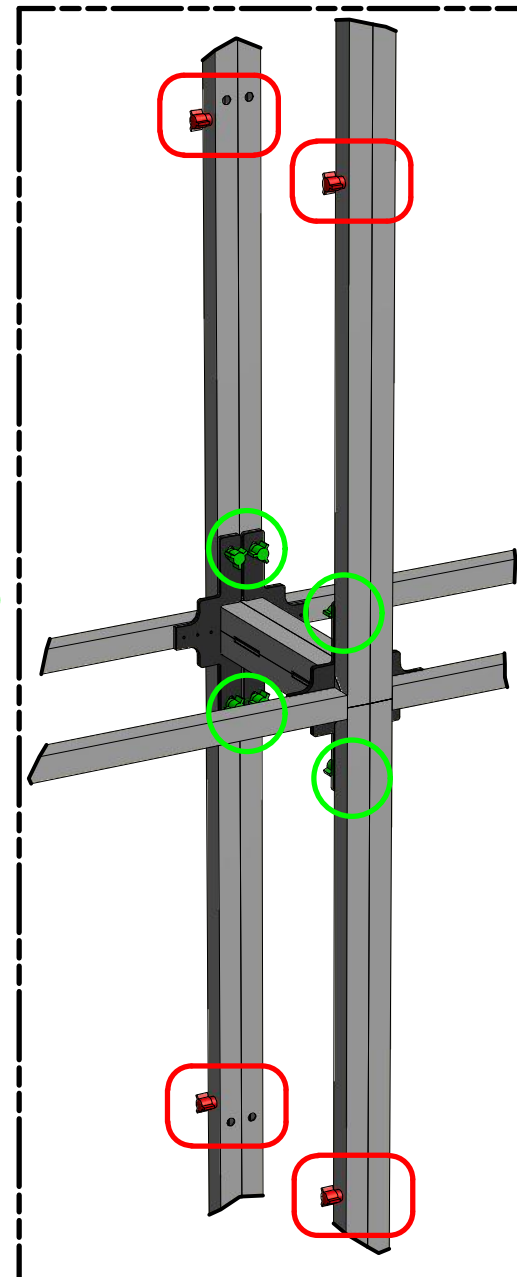
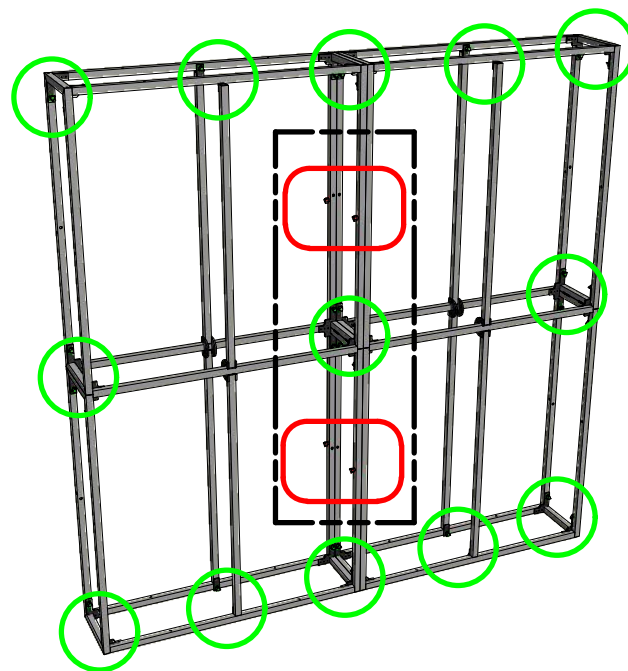
**THUMB SCREW INSTRUCTION
MQ-TSR2 / MQ-TSG1**



THE 2" RED THUMB SCREW IS USED TO CONNECT MULTIQUAD FRAMES TO OTHER MULTIQUAD FRAMES. EACH FRAME HAS RIVET NUT ON ONE SIDE AND A HOLE ON THE OTHER TO ALLOW FRAME TO FRAME CONNECTION

THE 1" GREEN THUMB SCREWS ARE USED WHEN ASSEMBLING 1x4 AND 2x4 FRAMES. SEE APPENDIX PAGES

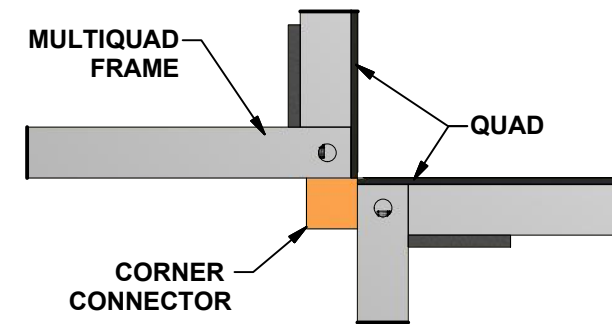
DUE TO THE RIVET NUTS, ALL FRAMES HAVE A LEFT AND RIGHT SIDE. VERIFY FRAME ORIENTATION TO ALLOW FRAME TO FRAME CONNECTION



**CORNER CONNECTOR INSTRUCTION
MQ-BTW**

(NOT REQUIRED IN EVERY CONFIGURATION)

THE MQ-BTW CORNER ALIGNMENT TOOL IS DESIGNED TO AID IN THE ALIGNMENT OF FRAMES AS NEEDED IN SOME MULTIQUAD CONFIGURATIONS.



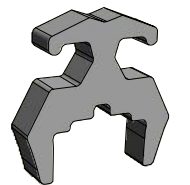
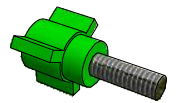
AFTER TWO MULTIQUAD FRAMES ARE SET "CORNER-TO-CORNER" THE MQ-BTW SIMPLY ATTACHES TO THE EXISTING MAGNETS ON THE FRAME



Expo Displays

3401 Mary Taylor Road
Birmingham, Alabama 35235
(205) 439-8200

Drawn By: AKHIII



**ASSEMBLY
INSTRUCTIONS**

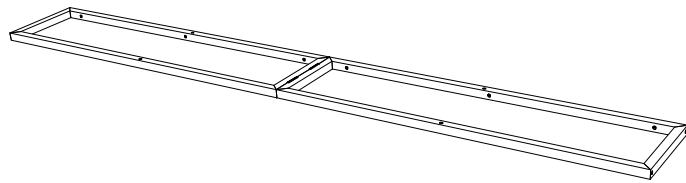
CONNECTORS & ALIGNMENT TOOLS

APPENDIX A

PARTS LIST		
QNTY	LABEL	NAME
1	LVH1	LEFT VERTICAL HINGED
1	RVH1	RIGHT VERTICAL HINGED
2	BH1	BOTTOM HORIZONTAL
2	MH1	MIDDLE HORIZONTAL
2	TH1	TOP HORIZONTAL
2	CVH1	CENTER VERTICAL HINGED
2	GRN	1" GREEN THUMB SCREW
4	RED	2" RED THUMB SCREW

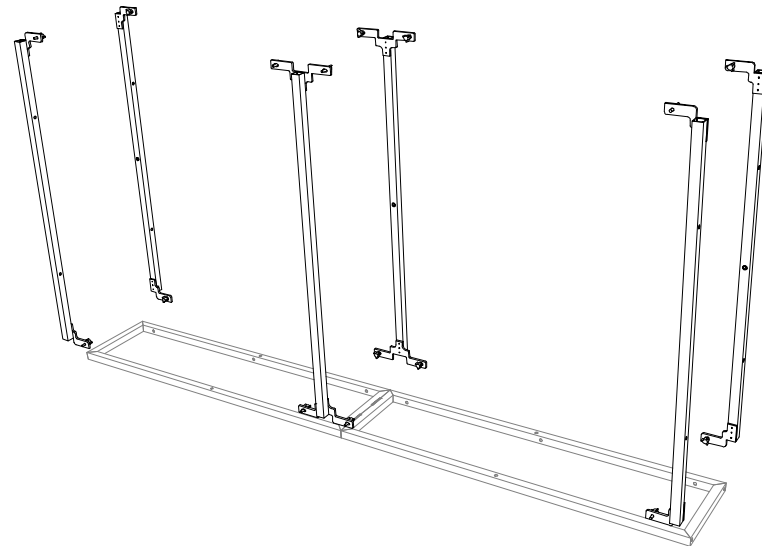
1st Step

START WITH THE LEFT VERTICAL HINGED (LVH1) ON THE GROUND



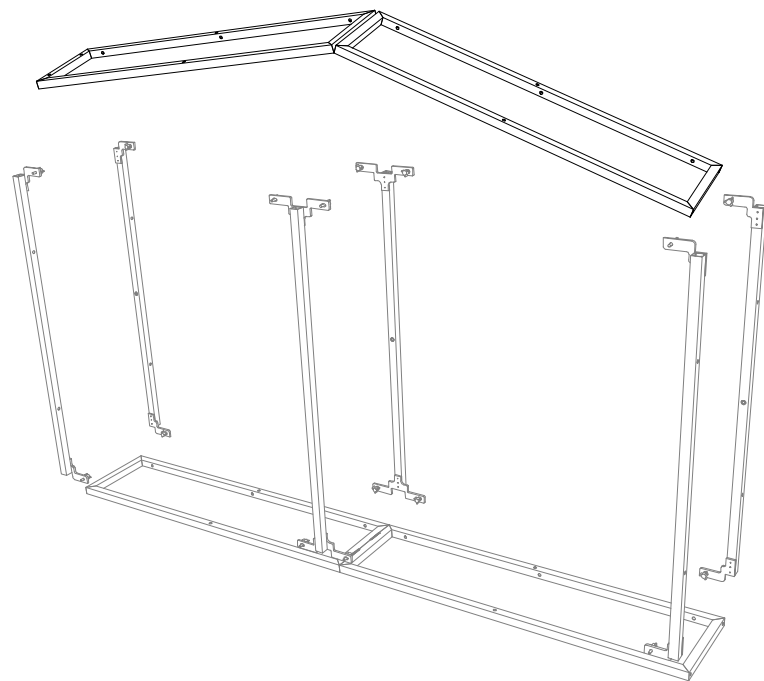
2nd Step

ATTACH THE (2) TOP HORIZONTAL (TH1), THE (2) MIDDLE HORIZONTAL (MH1), AND THE (2) BOTTOM HORIZONTAL (BH1)



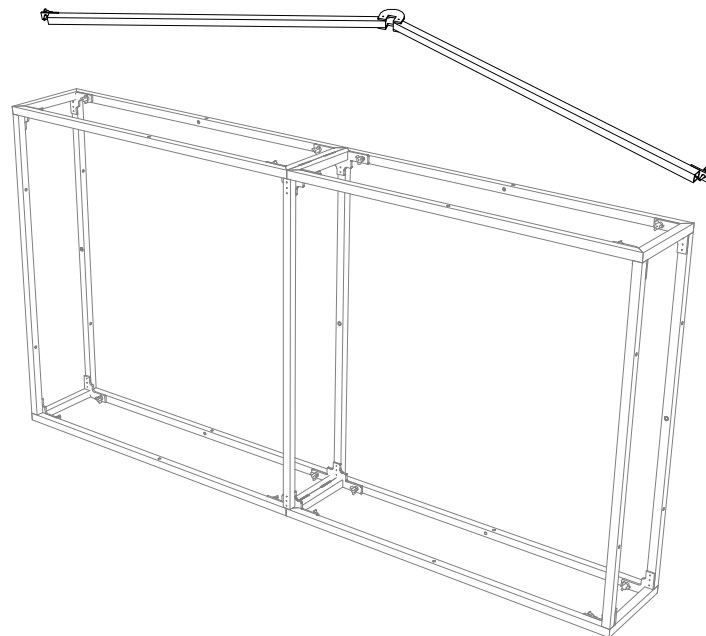
3rd Step

ATTACH THE RIGHT HINGED SIDE (RVH1)

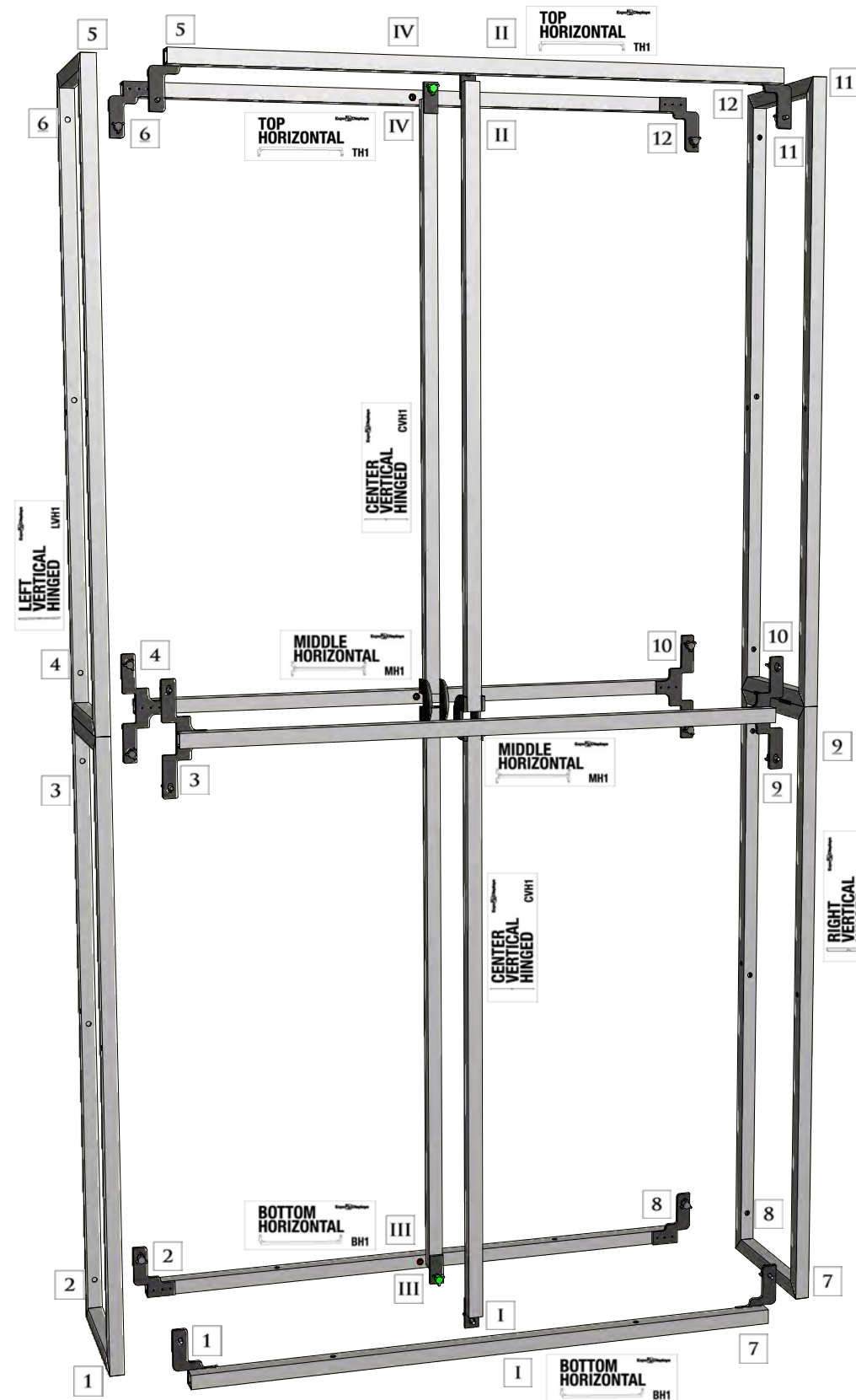


4th Step

ATTACH THE (2) CENTER VERTICAL HINGED (CVH1) AND STAND UP-RIGHT



MATCH NUMBERS TO CONSTRUCT



Expo Displays

3401 Mary Taylor Road
Birmingham, Alabama 35235
(205) 439-8200

Drawn By: AKHIII

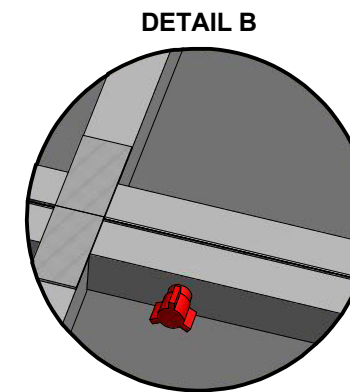
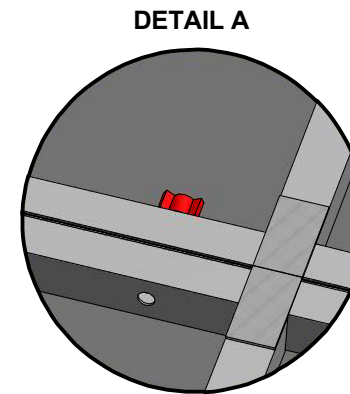
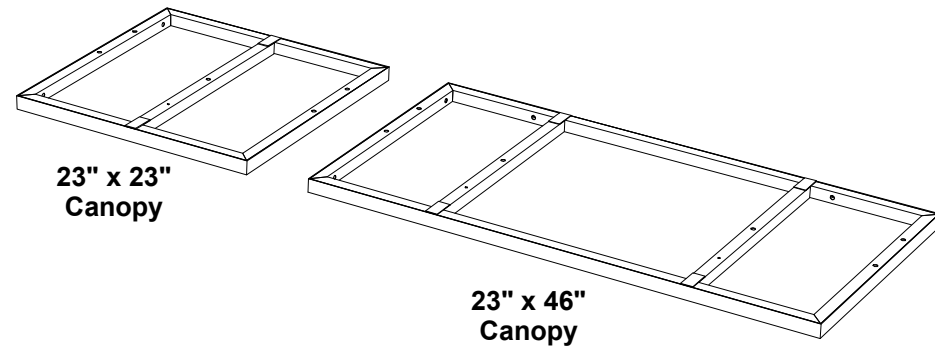
THIS PART USED TO MAKE
MQ-F24
2x4 STANDARD FRAME

ASSEMBLY
INSTRUCTIONS
2x4 STANDARD FRAME
MQ-F24

APPENDIX B

1st Step)

DETERMINE WHAT SIZE CANOPY IS APPLIED TO FRAMEWORK. EACH CANOPY SIZE CAN BE APPLIED TO BOTH A STANDARD SIZE FRAME AND A MAX SIZE FRAME. THEY CAN ALSO BE ORIENTED IN A SINGLE-SIDED OR DOUBLE-SIDED PLACEMENT. DOUBLE-SIDED USES (2) CANOPIES CONNECTED TOGETHER.



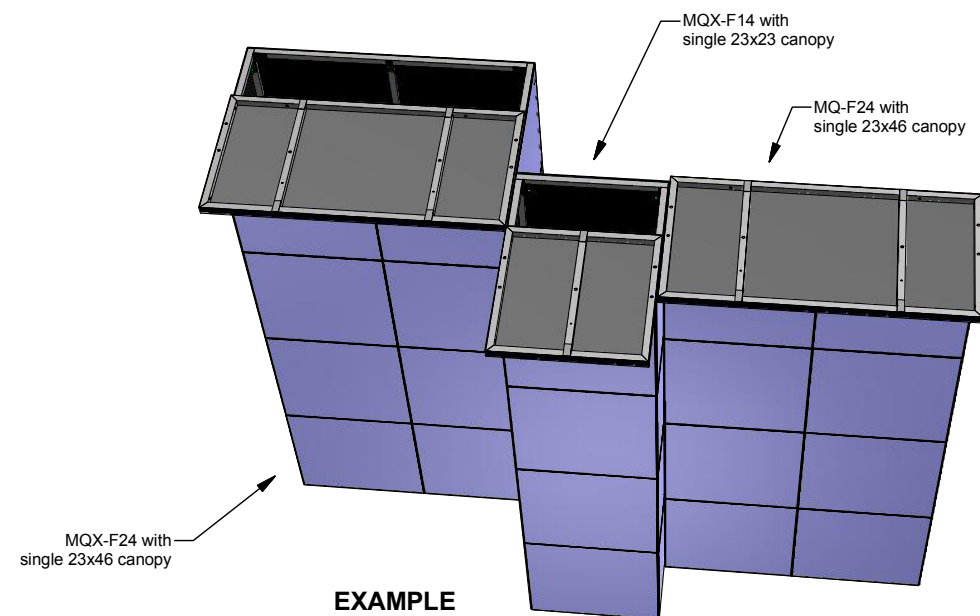
2nd Step)

LOCATE THRU HOLES ON TOP OF MULTIQUAD FRAME. USE BLACK THUMB SCREWS AND BOLT CANOPY TO FRAME FROM UNDERNEATH. RUN ELECTRICAL WIRING FOR LIGHTS INTO CENTER OF FRAME AND PLUG INTO POWER SOURCE.



3rd Step)

IF CREATING A DOUBLE-SIDED CANOPY, FOLLOW STEP 1 & 2 FOR THE OPPOSITE SIDE. CONNECT (2) CANOPIES TOGETHER USING RED THUMB SCREWS.



Expo Displays

3401 Mary Taylor Road
Birmingham, Alabama 35235
(205) 439-8200

Drawn By: JW



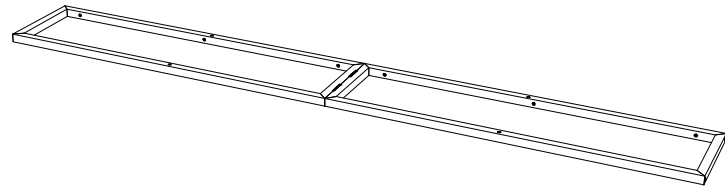
ASSEMBLY INSTRUCTIONS

MQ CANOPY

APPENDIX C1

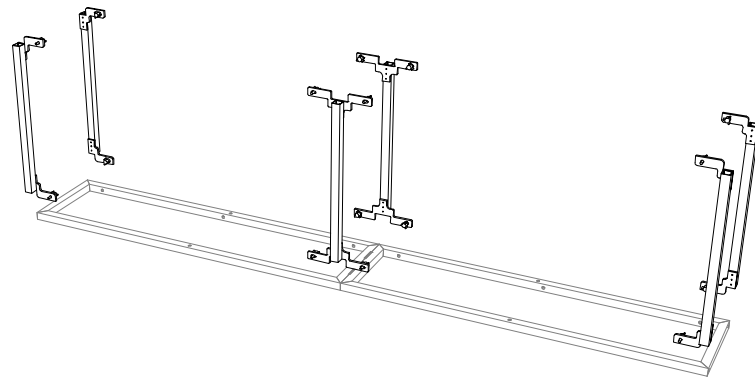
1st Step)

START WITH THE LEFT VERTICAL HINGED (LVH1) ON THE GROUND



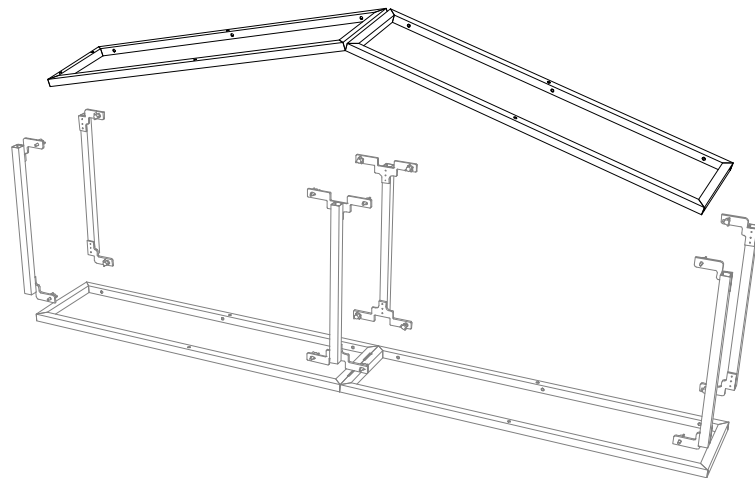
2nd Step)

ATTACH THE (2) TOP HORIZONTAL (TH2), THE (2) MIDDLE HORIZONTAL (MH2), AND THE (2) BOTTOM HORIZONTAL (BH2)



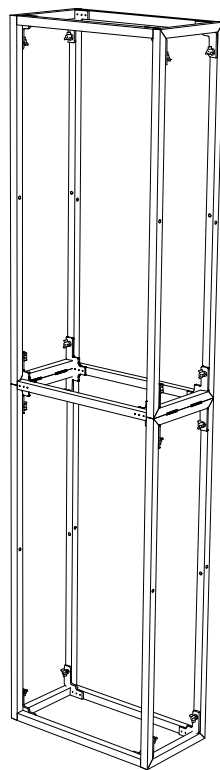
3rd Step)

ATTACH THE RIGHT HINGED SIDE (RVH1)



4th Step)

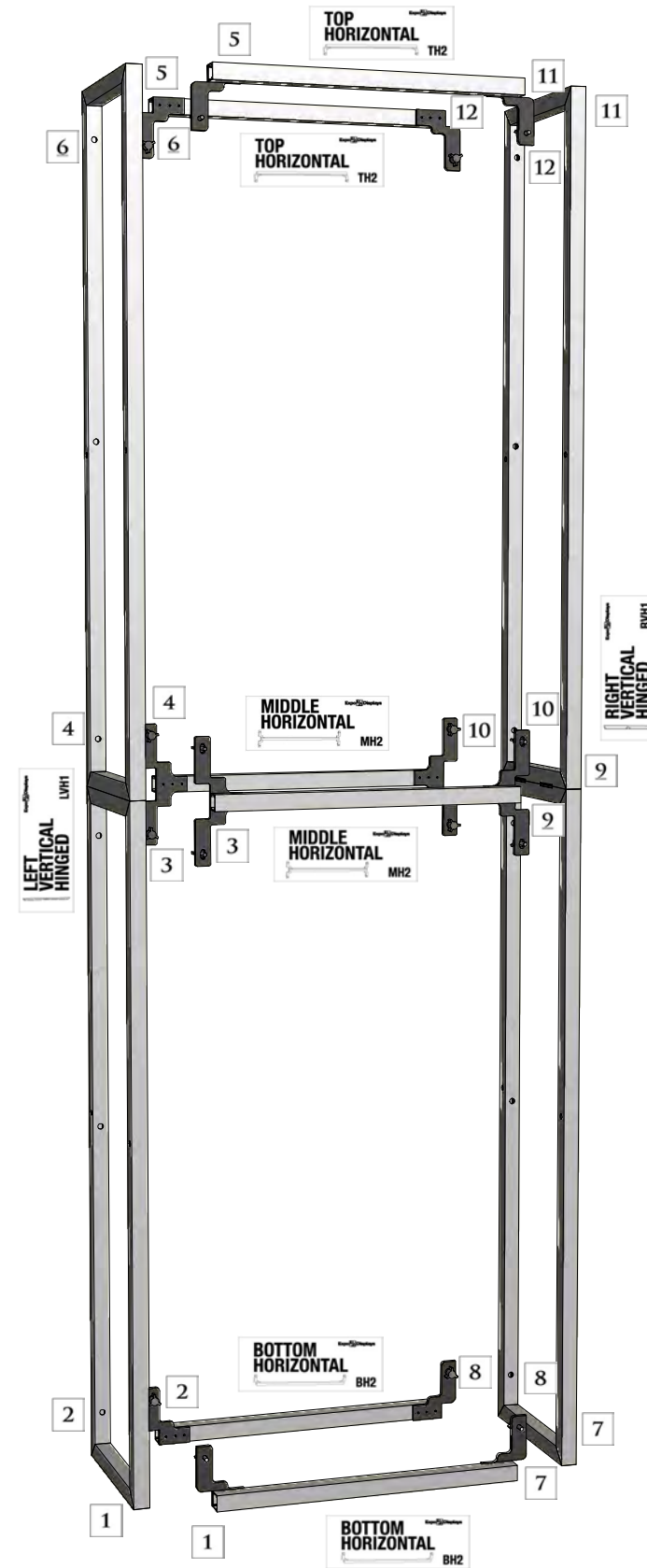
STAND UP-RIGHT



MATCH NUMBERS TO CONSTRUCT



PARTS LIST		
QNTY	LABEL	NAME
1	LVH1	LEFT VERTICAL HINGED
1	RVH1	RIGHT VERTICAL HINGED
2	BH2	BOTTOM HORIZONTAL
2	MH2	MIDDLE HORIZONTAL
2	TH2	TOP HORIZONTAL
1	GRN	1" GREEN THUMB SCREW
4	RED	2" RED THUMB SCREW



Expo Displays

3401 Mary Taylor Road
Birmingham, Alabama 35235
(205) 439-8200

Drawn By: AKHIII

THIS PART USED TO MAKE
MQ-F14
1x4 STANDARD FRAME

ASSEMBLY INSTRUCTIONS
1x4 STANDARD FRAME
MQ-F14

APPENDIX D

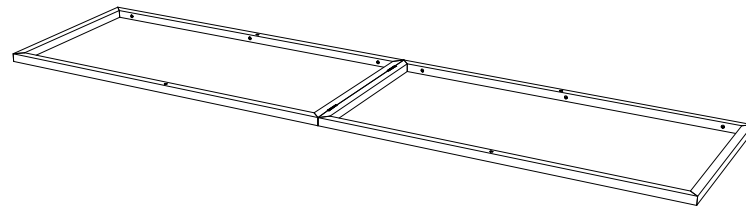
PARTS LIST		
QNTY	LABEL	NAME
1	LVHX	LEFT VERTICAL HINGED MAX
1	RVHX	RIGHT VERTICAL HINGED MAX
2	BH1	BOTTOM HORIZONTAL BAR
2	TH1	TOP HORIZONTAL BAR
2	MH1	MIDDLE HORIZONTAL BAR
1	CVH1	CENTER VERTICAL HINGED BAR
1	CVH2	CENTER VERTICAL HALF
20	GRN	1" GREEN THUMB SCREW
1	MQX-MM1	MAX MEDIA MOUNT

NOTE:

REFER TO APPENDIX J FOR BASIC MQX-F24 FRAME ASSEMBLY AND APPENDIX J7 FOR MAX MEDIA MOUNT ASSEMBLY

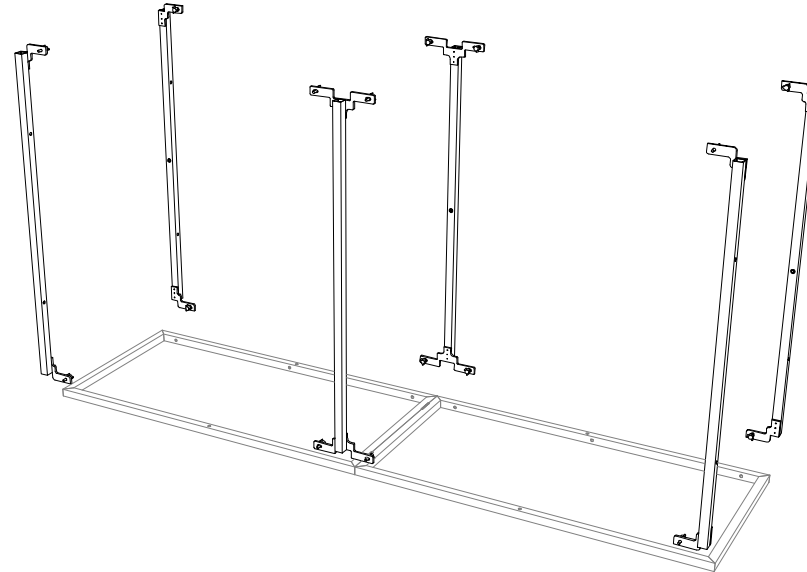
1st Step)

START WITH THE LEFT VERTICAL (LVHX) ON THE GROUND



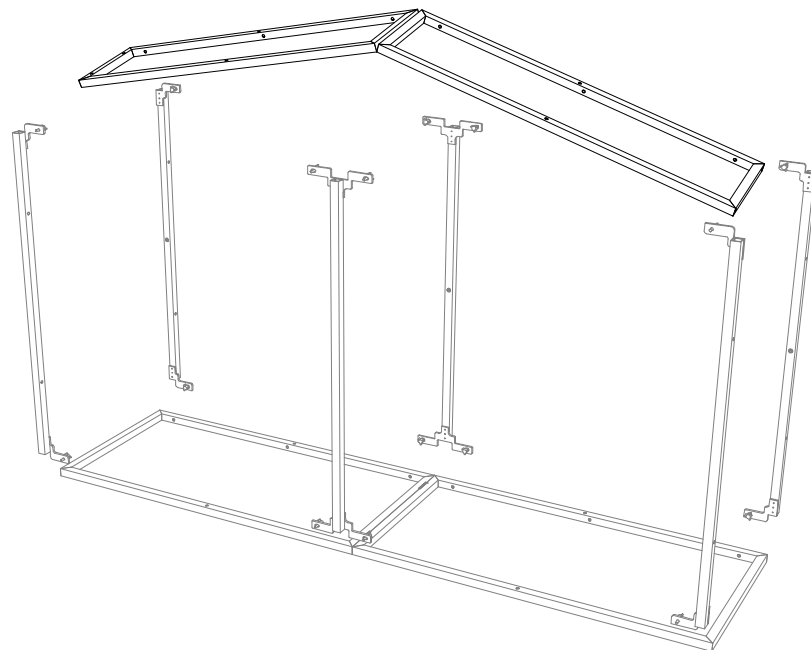
2nd Step)

ATTACH THE (2) TOP HORIZONTAL (TH1), THE (2) MIDDLE HORIZONTAL (MH1), AND THE (2) BOTTOM HORIZONTAL (BH1)



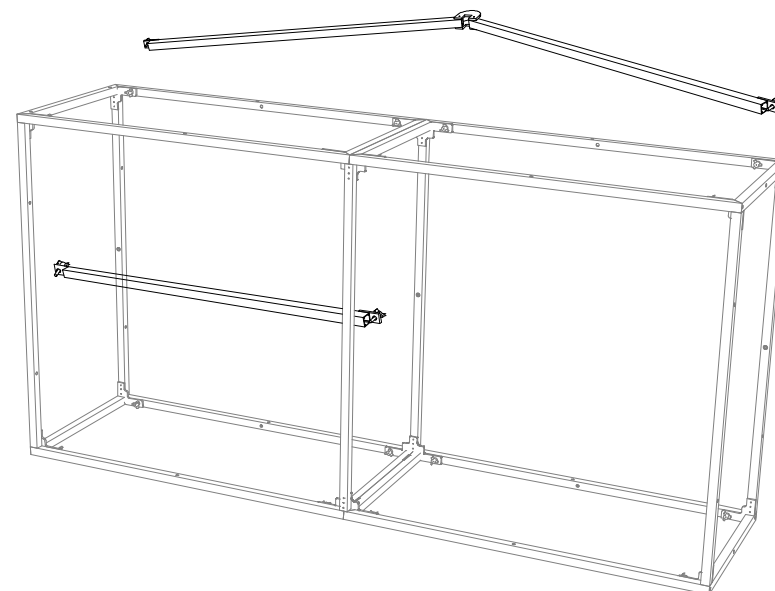
3rd Step)

ATTACH THE RIGHT HINGED SIDE (RVH1)



4th Step)

ATTACH THE (1) CENTER VERTICAL HINGED (CVH1) TO BACK OF FRAME, AND (1) CENTER VERTICAL (CVH2) TO BOTTOM-FRONT OF FRAME, AND STAND UP-RIGHT



*MATCH NUMBERS TO CONSTRUCT



Expo Displays

3401 Mary Taylor Road
Birmingham, Alabama 35235
(205) 439-8200

Drawn By: JW



ASSEMBLY INSTRUCTIONS

MQX-F24 WITH MAX MEDIA MOUNT

APPENDIX J6

PARTS LIST:

#	LABEL	NAME
1	MQ-LM4QD	MAX MEDIA MOUNT

1st Step)

THIS SET OF ASSEMBLY INSTRUCTIONS FOCUSES ON THE SINGLE - SIDED MOUNT (MQ-LM4QD). THE SAME PROCEDURES APPLY WHEN SETTING UP THE DOUBLE SIDED (MQ-LM4Q) AND THE DOUBLE SIDED CONVERSION KIT (MQ-LM4QC)



MQ-LM4Q
SINGLE SIDED
MEDIA MOUNT



MQ-LM4QC
DOUBLE SIDED
CONVERSION
KIT



2nd Step)

AN M10 HEX KEY WILL BE INCLUDED WITH THE MOUNT THAT WILL BE USED TO FASTEN THE EXTRUSIONS TOGETHER.



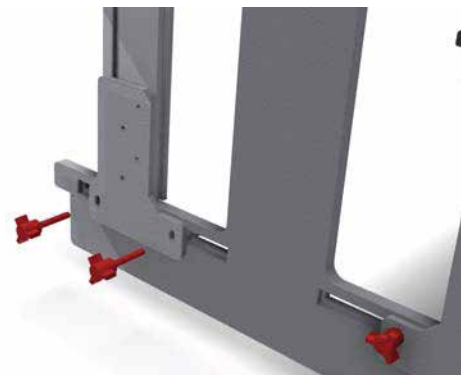
M10 HEX KEY

THE CIRCLES REPRESENT THE EXTRUSION LOCKS.

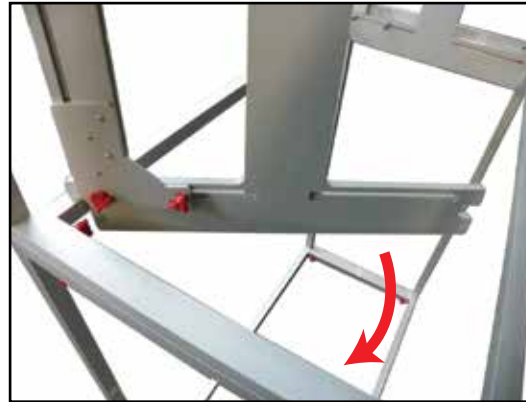
TIGHTEN THE LOCKS USING THE HEX KEY BY TURNING IT CLOCKWISE UNTIL THE MECHANISM LOCKS INSIDE THE CHANNEL.



USE THE M10 HEX KEY TO TIGHTEN THE LOCKS THAT ATTACH THE VESA TV MOUNT TO THE ARMS.



ATTACH THE ASSEMBLED ARMS TO THE "I" SHAPED CENTER VERTICAL SUPPORT USING THE PROVIDED RED THUMBSCREWS AND WING NUTS.



4th Step)

LINE THE MONITOR'S CENTER WITHIN THE CENTER OF THE FRAME. THEN GENTLY HOOK THE UNIT'S BACK ONTO THE FRAME



THE "I" SHAPED CENTER HOOKS ON TO THE BACK OF THE MQXF24 FRAME.

NOTE: EXPODISPLAYS® WILL OFTEN ADD ARROWS ON THE EXTRUSIONS TO INDICATE THE IDEAL LOCATION OF THE MONITORS. SIMPLY CONNECT THE ARROWS.



5th Step)

CHECK TO MAKE SURE MONITOR BRACKET IS LEVEL USING BUBBLE INDICATOR ON FRONT



Expo Displays
A Division of Universal Display International

3401 Mary Taylor Road
Birmingham, Alabama 35235
(205) 439-8200

Drawn By: JW



Sheet Title

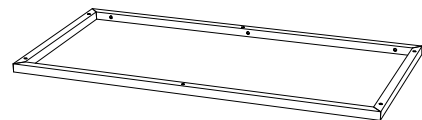
**ASSEMBLY
INSTRUCTIONS
SINGLE - SIDED
MAX MEDIA MOUNT**

APPENDIX J7

PARTS LIST		
QNTY	LABEL	NAME
1	LVRX1	LEFT VERTICAL RECTANGLE
1	RVRX1	RIGHT VERTICAL RECTANGLE
1	BHRX1	BOTTOM HORIZONTAL RECT.
1	THRX1	TOP HORIZONTAL RECT.
2	CVH2	CENTER VERTICAL HALF
4	GRN	1" GREEN THUMB SCREW
□	RED	2" RED THUMB SCREW
1	CT2□4□	COUNTERTOP FOR MQX-F22C

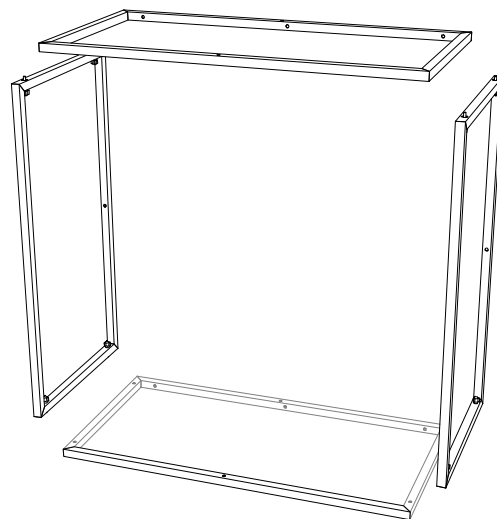
1st Step)

START WITH THE LEFT VERTICAL (LVRX1) ON THE GROUND



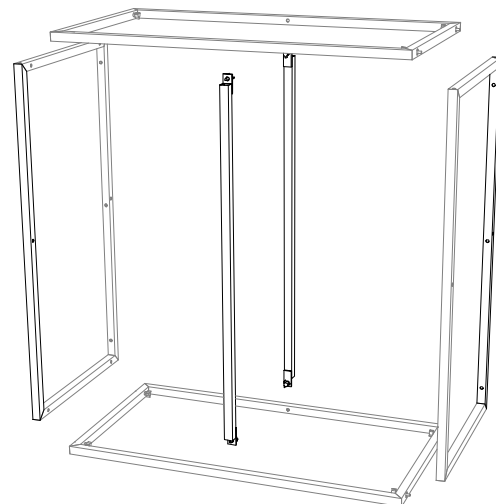
2nd Step)

ATTACH THE TOP HORIZONTAL (THRX1), THE BOTTOM HORIZONTAL (BHRX1), AND THE OTHER RIGHT VERTICAL (RVRX1)



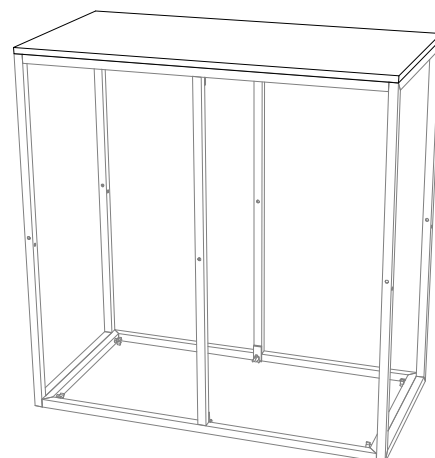
3rd Step)

ROTATE AND ATTACH THE (2) CENTER VERTICAL (CVH2)

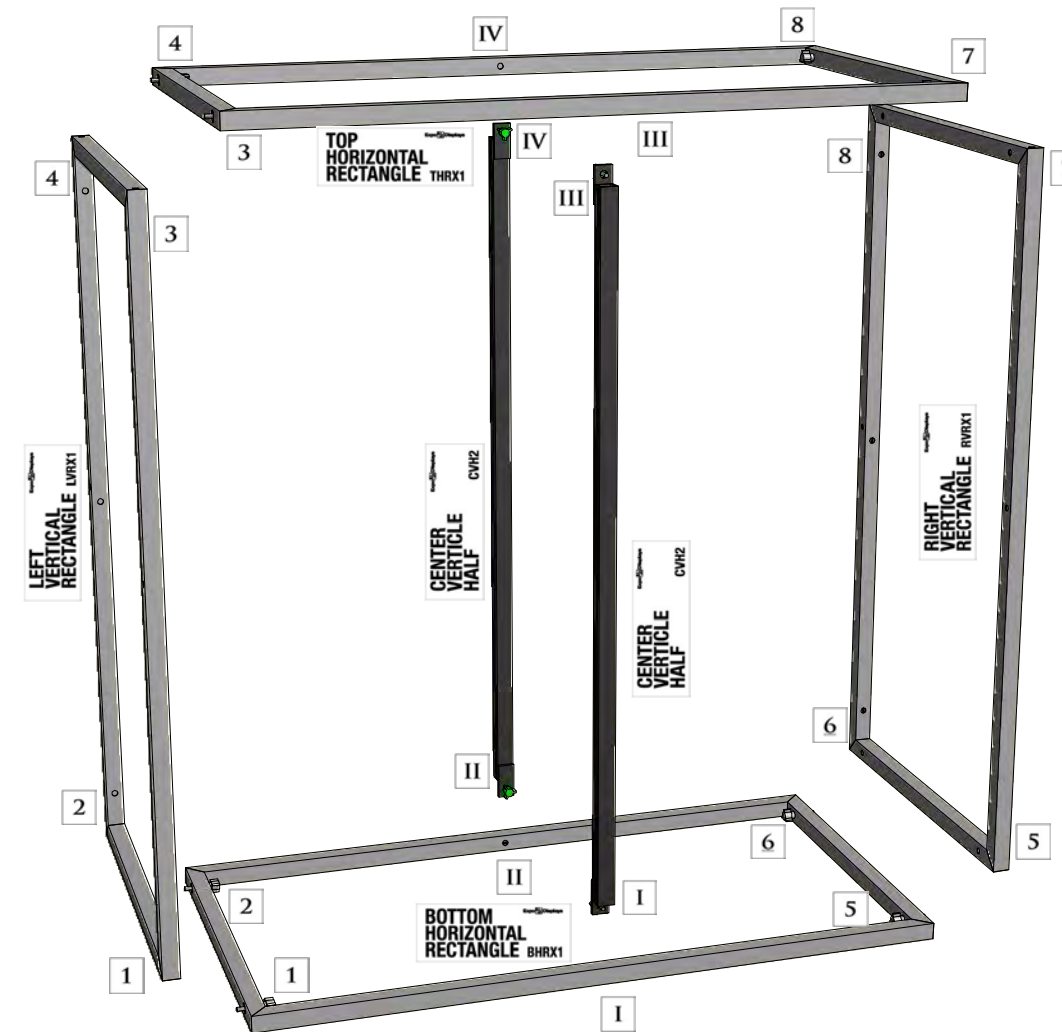


4th Step)

ATTACH THE COUNTERTOP IF NEEDED



MATCH NUMBERS TO CONSTRUCT



EXPO MultiQuad
An ExpoDisplays Product

EXPO

ExpoDisplays

3401 Mary Taylor Road
Birmingham, Alabama 35235
(205) 439-8200

Drawn By: AKHIII

THIS PART USED TO MAKE
MQX-F22
2x2 MAX FRAME

ASSEMBLY
INSTRUCTIONS

2x2 MAX FRAME
MQX-F22

APPENDIX L