

WHEN ASSEMBLING **EXPO MultiQuad**<sup>®</sup>

REMEMBER YOUR **ABC**'s...

**A**SSEMBLE EACH COMPONENT SEPARATELY

**B**UILD THE DESIRED LAYOUT

**C**OVER YOUR MULTIQUAD LAYOUT WITH QUADS



**EXPO MultiQuad**<sup>®</sup>  
An **ExpoDisplays** Product

**MILLER VET SUPPLY**  
20' x 20' Custom MultiQuad<sup>®</sup>



**Expo EXPO Displays**<sup>®</sup>  
A Division of Diamond Displays International

3401 Mary Taylor Road  
Birmingham, Alabama 35235  
(205) 439-8200

Project Title

**20X20 MULTIQUAD<sup>®</sup>**

Sheet Title

**ASSEMBLY  
INSTRUCTIONS  
COVER SHEET**

# ELECTRICAL PLAN



Project Title

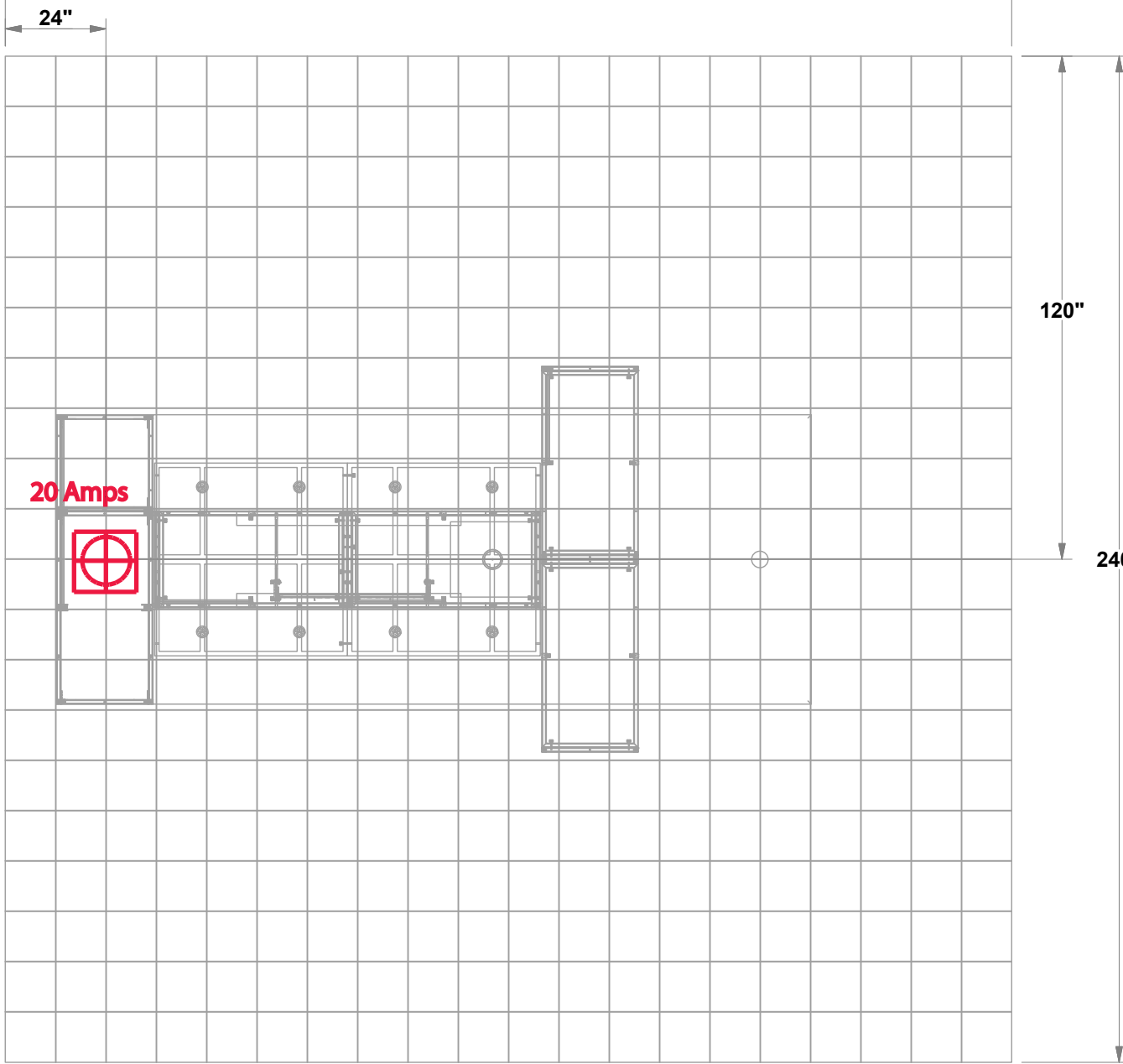
**20X20 MULTIQAD®**

Sheet Title

**ASSEMBLY INSTRUCTIONS  
ELECTRICAL PLAN**

BOOTH # \_\_\_\_\_

240"



120"

240"

BOOTH # \_\_\_\_\_

BOOTH # \_\_\_\_\_

TOP VIEW

BOOTH # \_\_\_\_\_

FRONT OF DISPLAY

1 Square = 1'- 0"



MAIN ELECTRICAL DROP




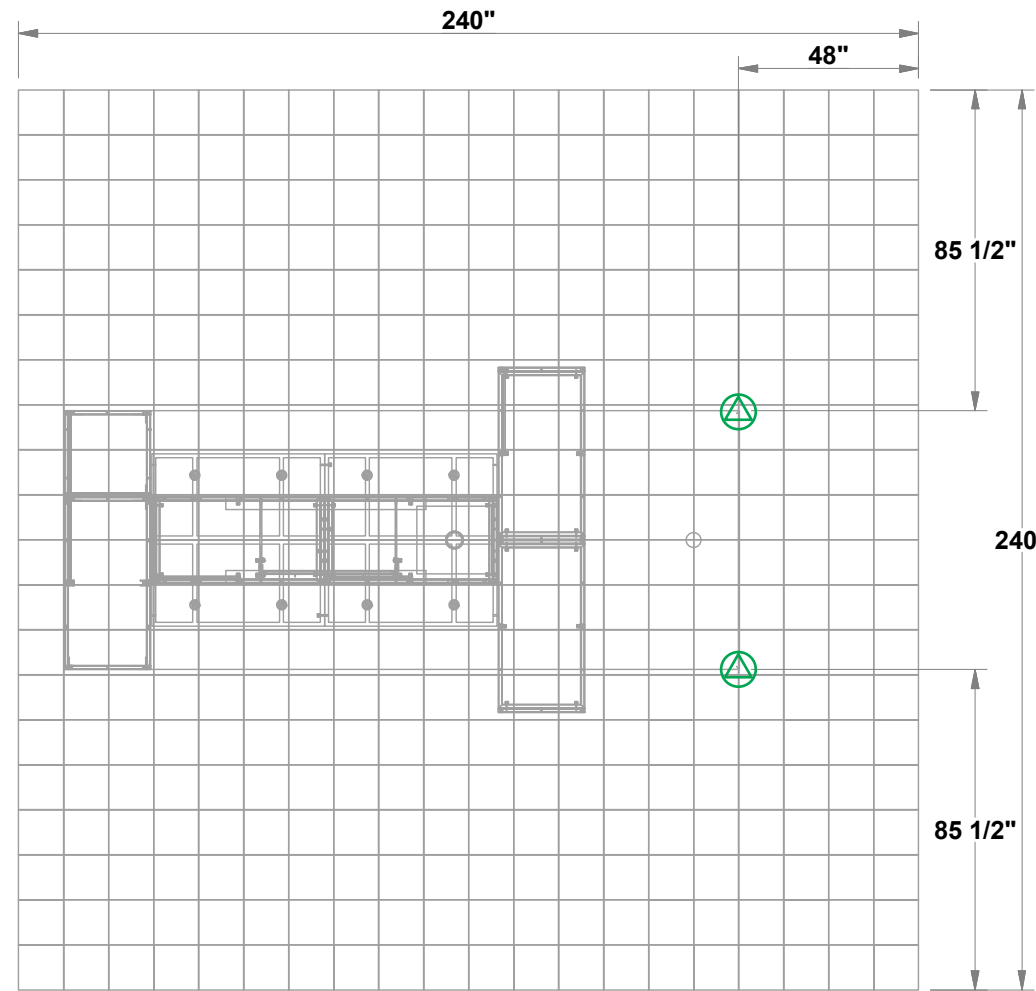
ELECTRICAL OUTLET

SHOW: \_\_\_\_\_

BOOTH: \_\_\_\_\_

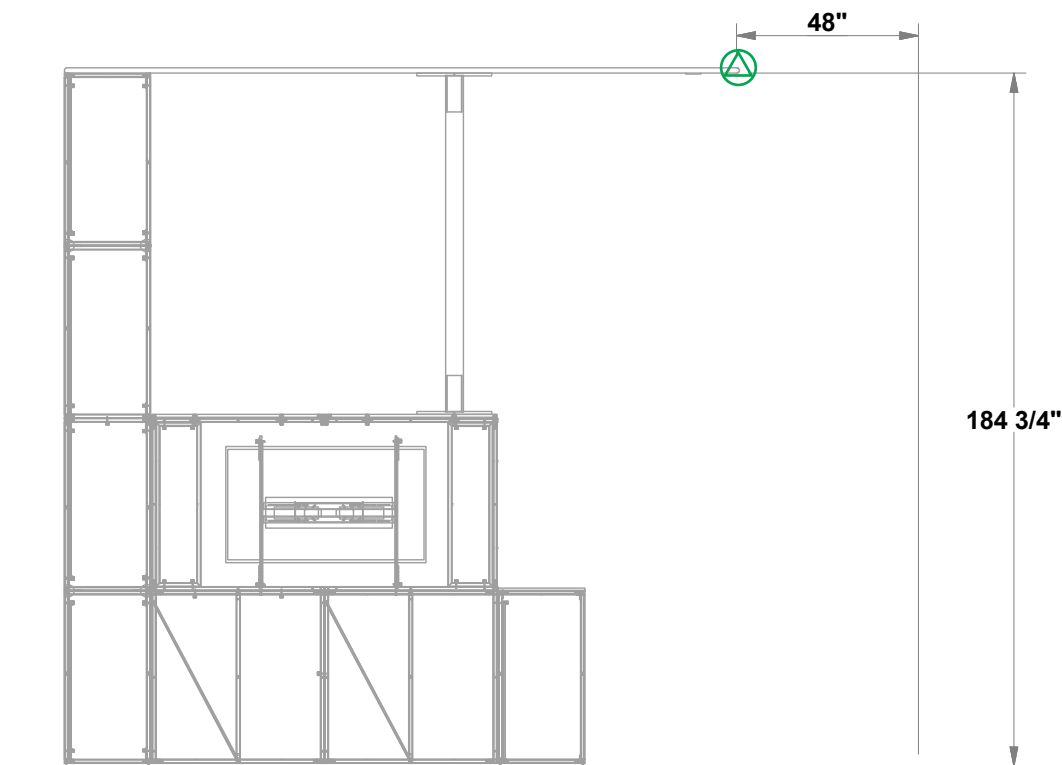
# RIGGING PLAN

BOOTH # 



TOP VIEW

 BOOTH #



ELEVATED VIEW

 RIGGING POINT



**Expo EX PO Displays**  
A Division of Diamond Displays International

3401 Mary Taylor Road  
Birmingham, Alabama 35235  
(205) 439-8200

Job #: 76042

Project Title

20X20 MULTIQAD®

Sheet Title

ASSEMBLY  
INSTRUCTIONS  
RIGGING PLAN

# DESIRED LAYOUT



**Expo EX PO Displays**  
A Division of Diamond Displays International

3401 Mary Taylor Road  
Birmingham, Alabama 35235  
(205) 439-8200

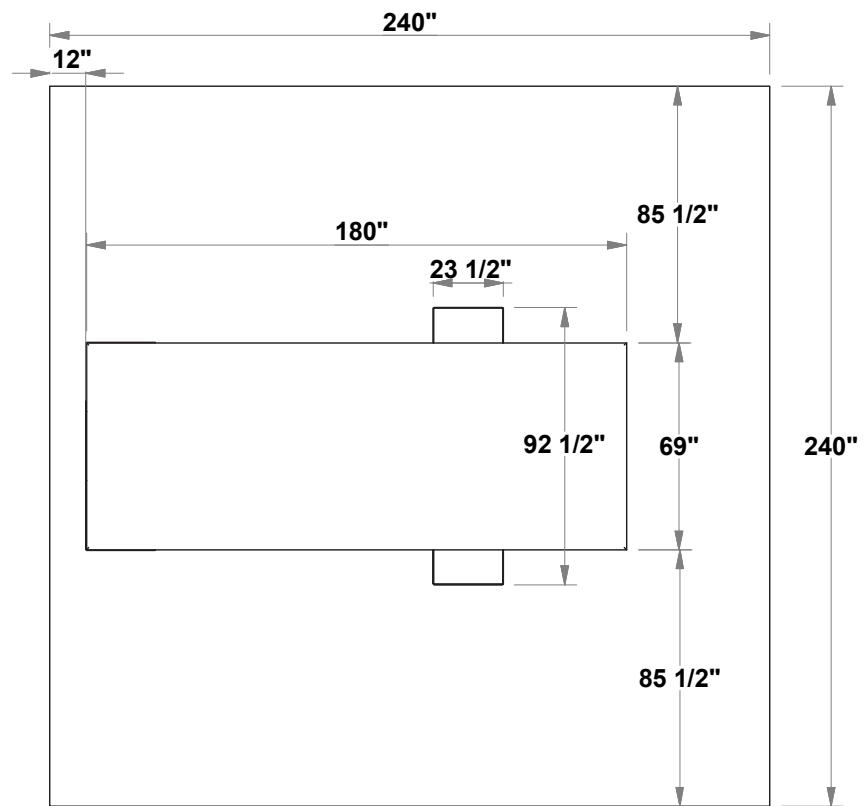
Job #: 76042

Project Title

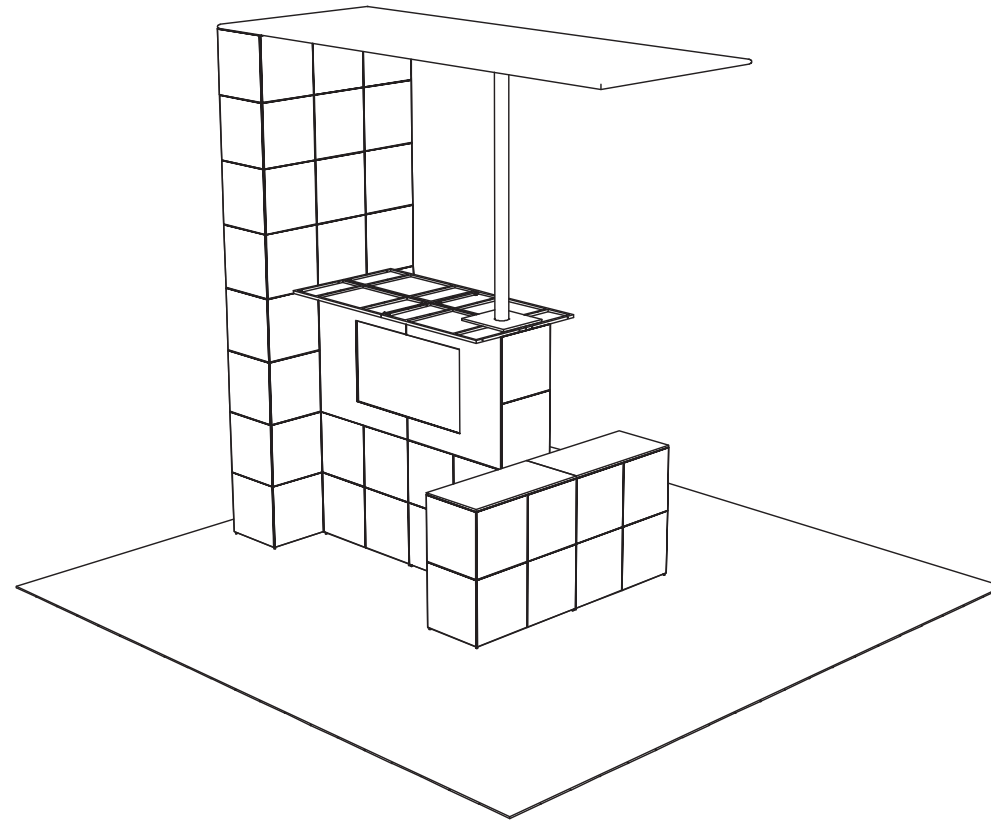
20X20 MULTIQAD®

Sheet Title

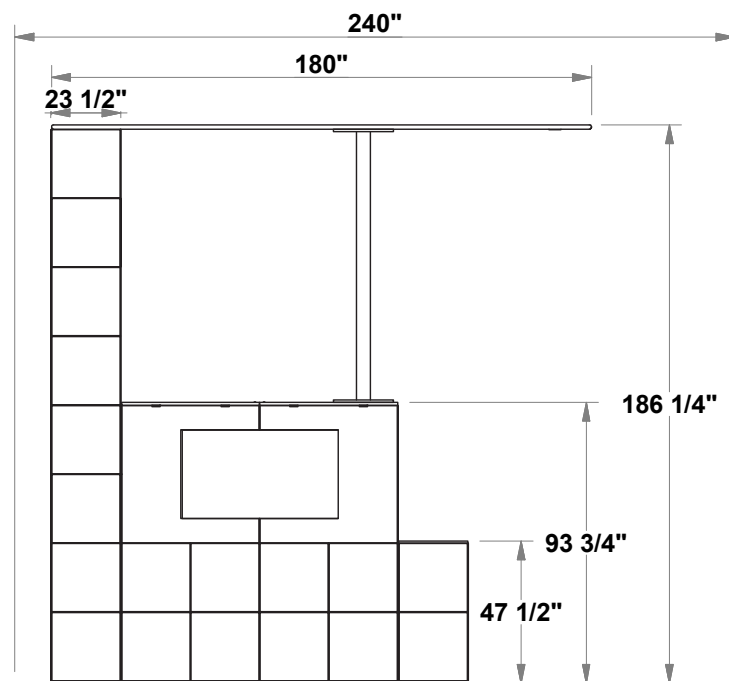
**ASSEMBLY  
INSTRUCTIONS  
DESIRED LAYOUT**



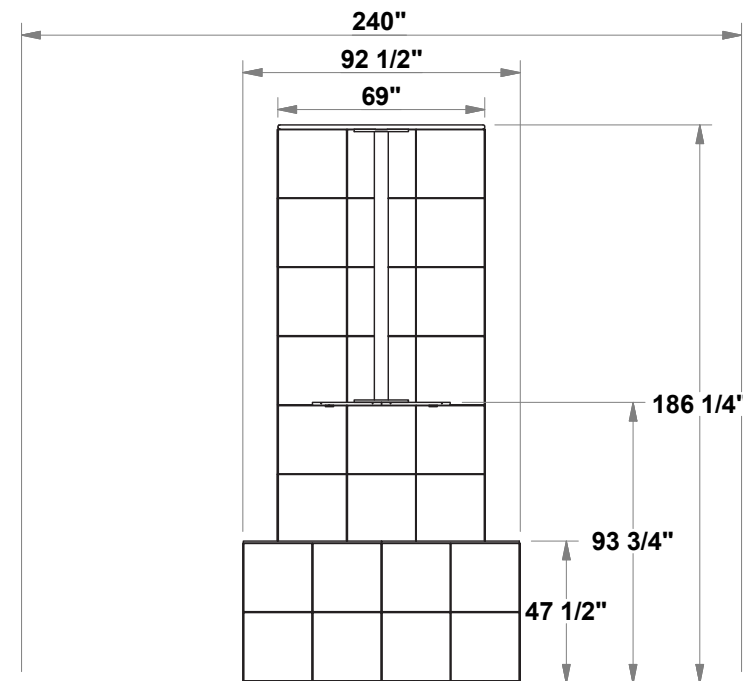
PLAN VIEW



PERSPECTIVE VIEW



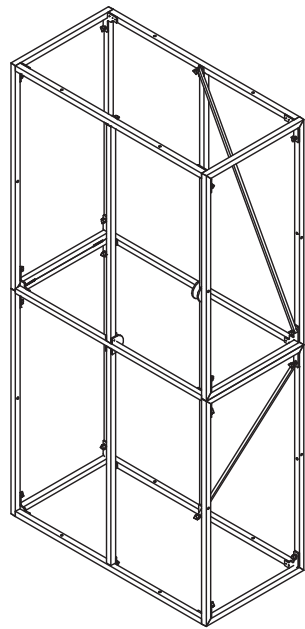
SIDE ELEVATION



FRONT ELEVATION

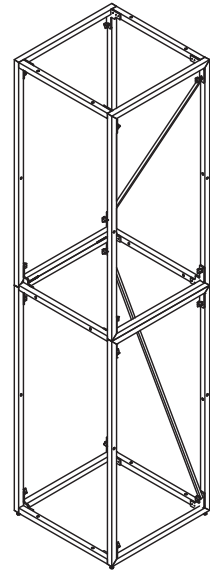
# STANDARD PARTS

**ASSEMBLE ALL FRAMES LISTED USING APPENDIX PAGES**



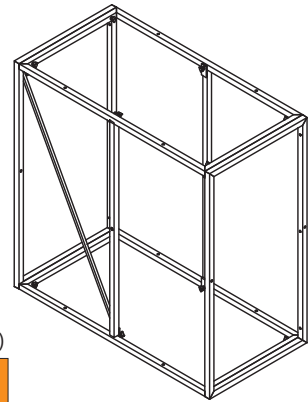
MAX FRAME  
(SEE APPENDIX J)  
THIS PART USED TO MAKE  
**MQX-F24**  
2x4 MAX FRAME

**X 2**

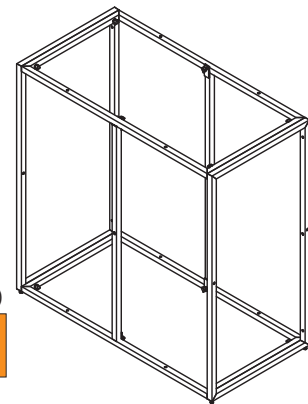


MAX FRAME  
(SEE APPENDIX N)  
THIS PART USED TO MAKE  
**MQX-F14**  
1x4 MAX FRAME

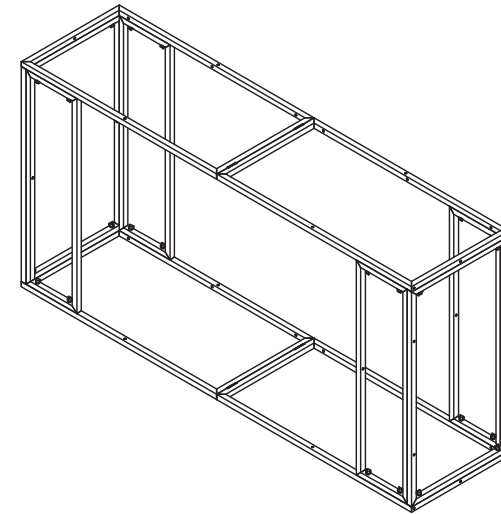
**X 2**



**X 2**  
MAX FRAME  
(SEE APPENDIX L)  
THIS PART USED TO MAKE  
**MQX-F22**  
2x2 MAX FRAME

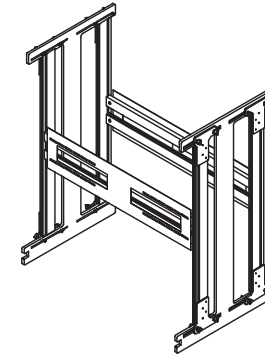


**X 2**  
MAX FRAME  
(SEE APPENDIX L)  
THIS PART USED TO MAKE  
**MQX-F22**  
2x2 MAX FRAME

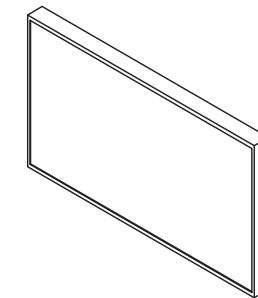


MAX FRAME  
(SEE APPENDIX BB)  
THIS PART USED TO MAKE  
**MQX-F42**  
4x2 MAX FRAME

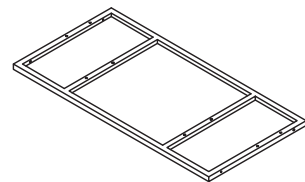
**X 1**



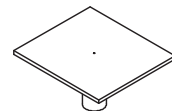
**DOUBLE SIDED  
MEDIA MOUNT X 1**



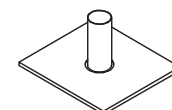
**55" TV X 2**



**23 X 46  
CANOPY X 4**



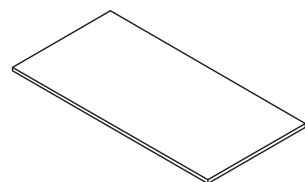
**X 1  
TOP PLATE TUBE**



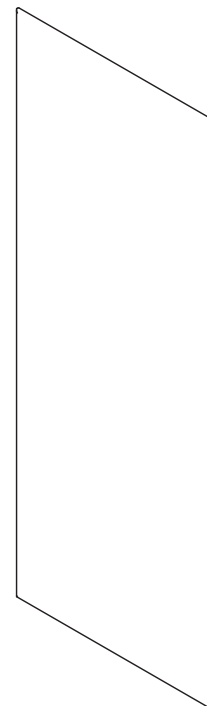
**X 1  
BASE PLATE TUBE**



**8' BEAM X 1**



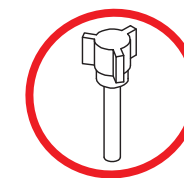
**23 X 46  
COUNTERTOP X 2**



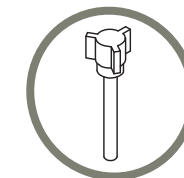
**X 1  
LARGE CANOPY**



**PENDANT LIGHT X 1**



**X 30**



**X 8**



**X 8  
3" HAFELE BOLTS  
\* 5/16" ALAN WRENCH**



**Expo EX PO Displays**  
A Division of Diamond Displays International

3401 Mary Taylor Road  
Birmingham, Alabama 35235  
(205) 439-8200

Job #: 76042

Project Title

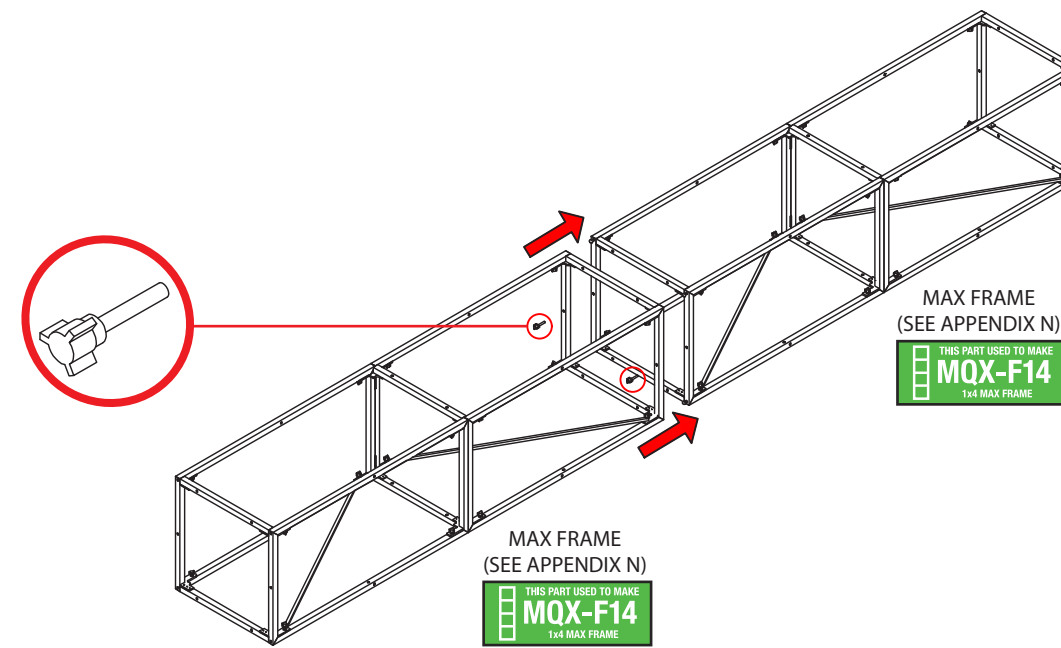
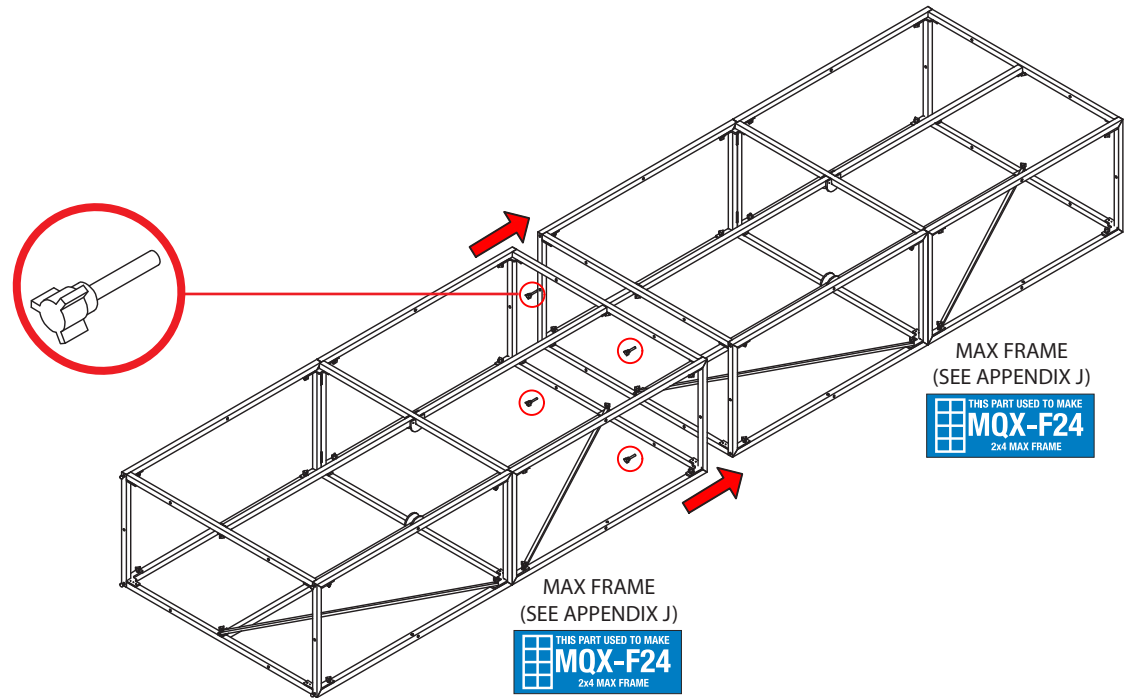
**20X20 MULTIQAD®**

Sheet Title

**ASSEMBLY  
INSTRUCTIONS  
STANDARD PARTS**

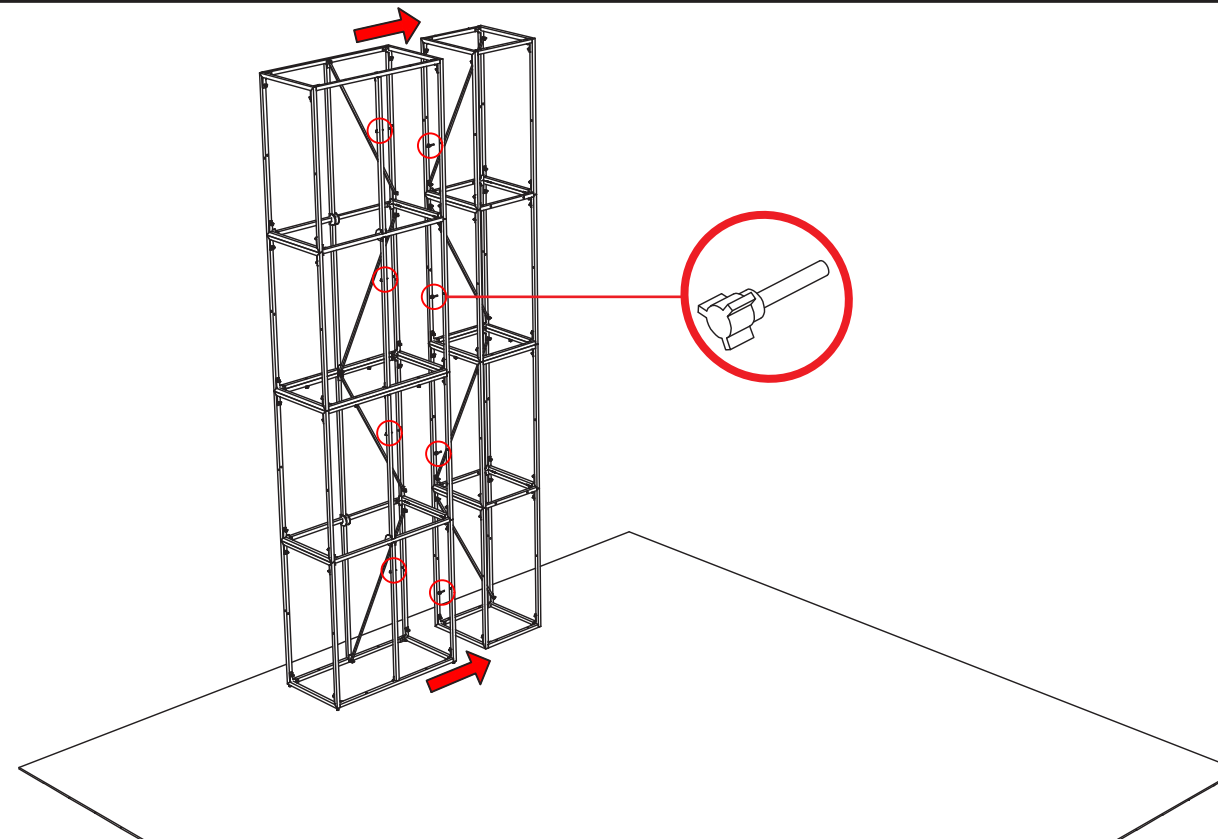
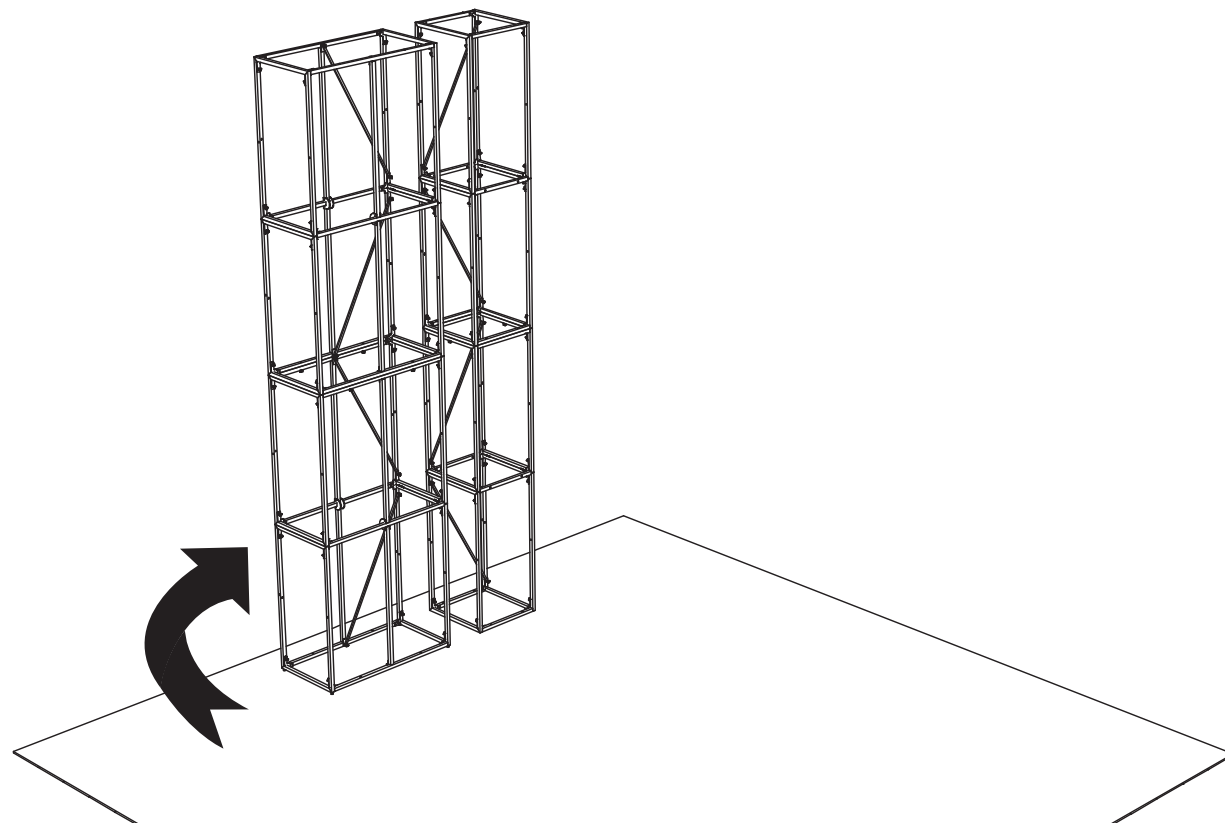


# MAIN TOWER ASSEMBLY



JOIN ( 2 ) **LABELED FRAMES** WITH  
( 4 ) **RED THUMBSCREWS** IN DIRECTION SHOWN

JOIN ( 2 ) **LABELED FRAMES** WITH  
( 4 ) **RED THUMBSCREWS** IN DIRECTION SHOWN



SET ( 2 ) PAIRS OF **STACKED FRAMES** UPRIGHT  
AND PLACE IN FLOOR SPACE AS SHOWN

JOIN ( 2 ) **STACKED FRAMES** WITH  
( 8 ) **RED THUMBSCREWS** IN DIRECTION SHOWN



**Expo EXPO Displays**  
A Division of Diamond Displays International

3401 Mary Taylor Road  
Birmingham, Alabama 35235  
(205) 439-8200

Job #: 76042

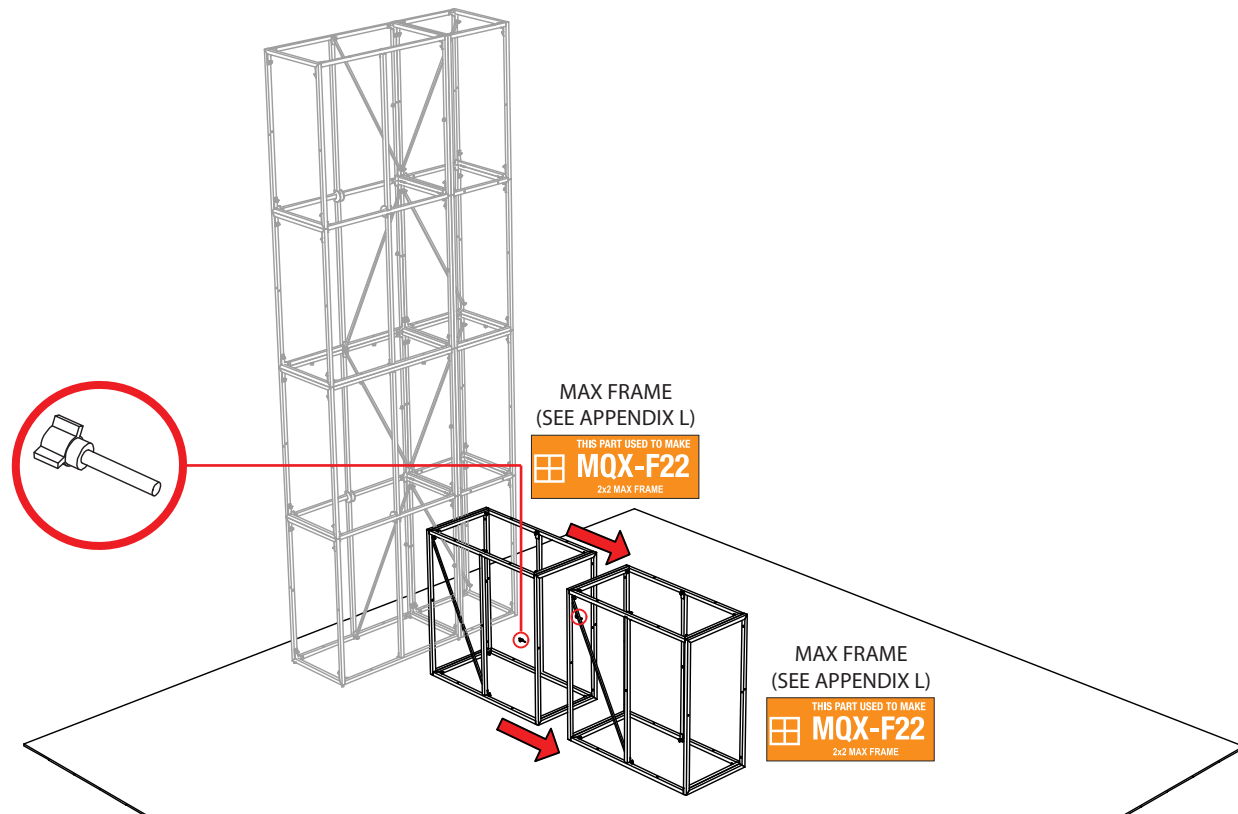
Project Title

20X20 MULTIQUAD®

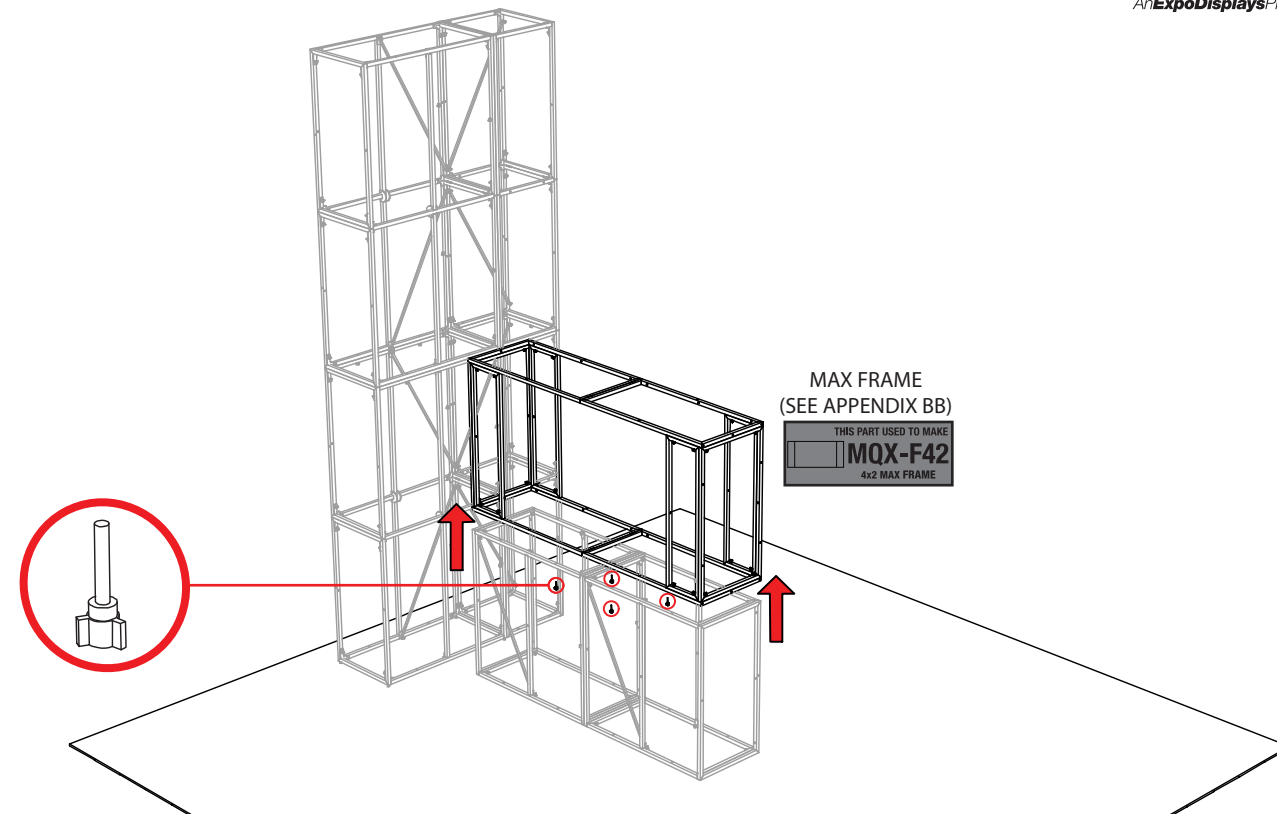
Sheet Title

**ASSEMBLY  
INSTRUCTIONS**  
**MAIN TOWER  
ASSEMBLY**

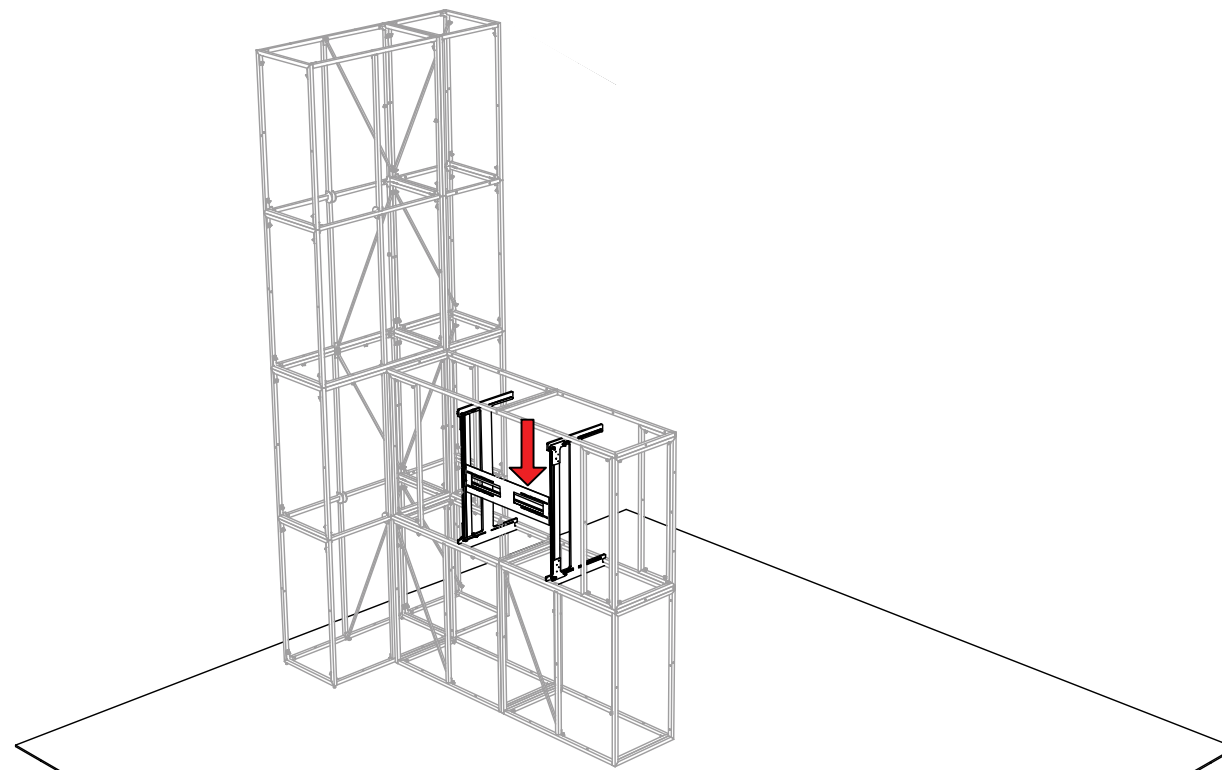
# TV TOWER ASSEMBLY



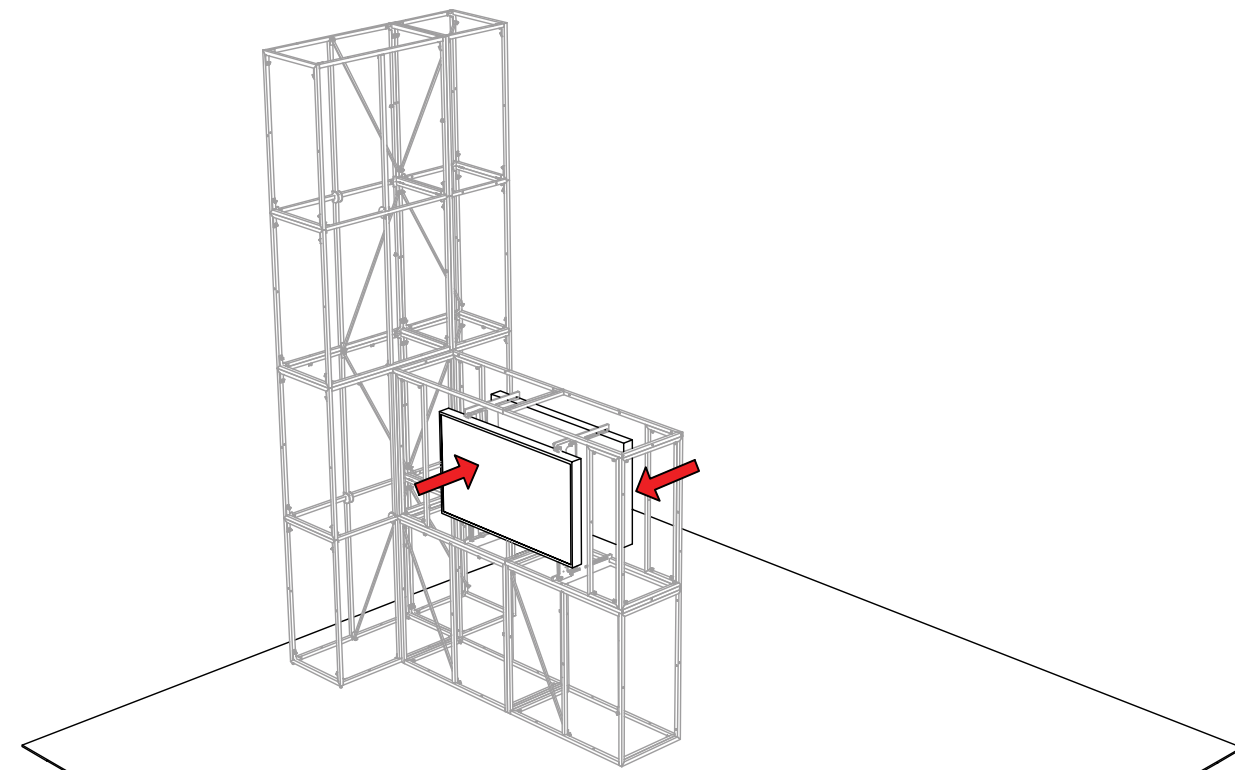
JOIN ( 2 ) **LABELED FRAMES** WITH  
( 2 ) **RED THUMBSCREWS** IN DIRECTION SHOWN



JOIN **LABELED FRAME** TO TOP WITH  
( 4 ) **RED THUMBSCREWS** IN DIRECTION SHOWN



( **SEE APPENDIX J-7 FOR ASSEMBLY** )  
ASSEMBLE **DOUBLE-SIDED MEDIA MOUNT** INSIDE



HANG ( 2 ) **55" TVS** ON BOTH SIDES OF **MEDIA MOUNT**  
WITH **PRE-ATTACHED HARDWARE** AS SHOWN

# TV TOWER CANOPY & SUPPORT ASSEMBLY



**Expo EXPO Displays**  
A Division of Diamond Displays International

3401 Mary Taylor Road  
Birmingham, Alabama 35235  
(205) 439-8200

Job #: 76042

Project Title

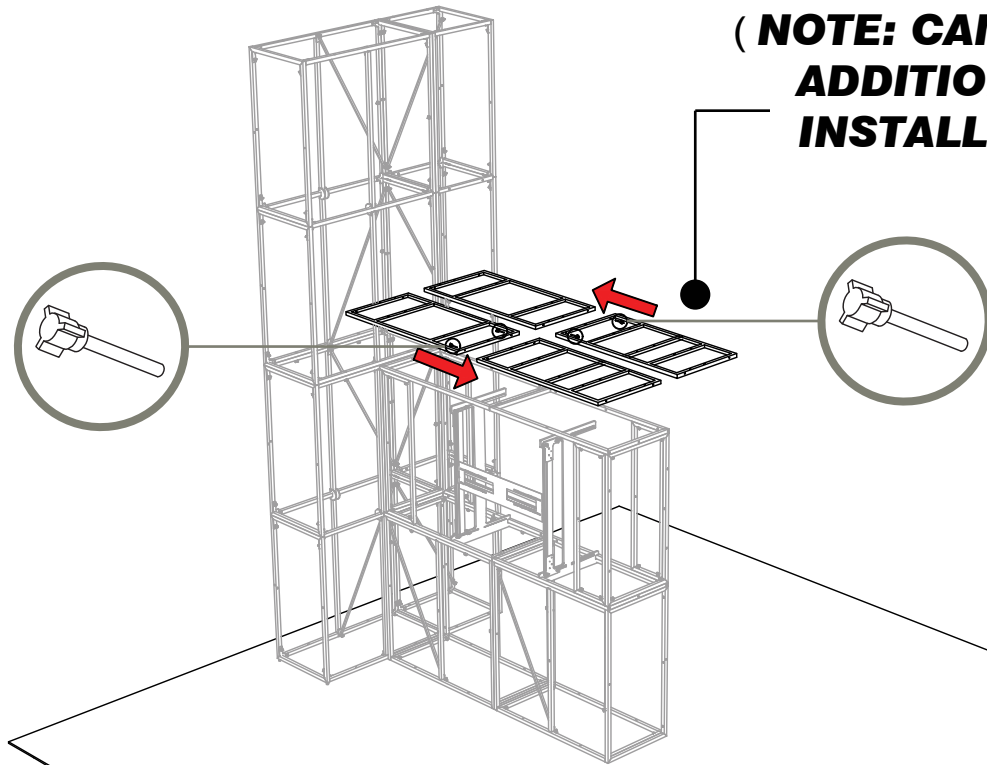
20X20 MULTIQUAD®

Sheet Title

**ASSEMBLY  
INSTRUCTIONS**

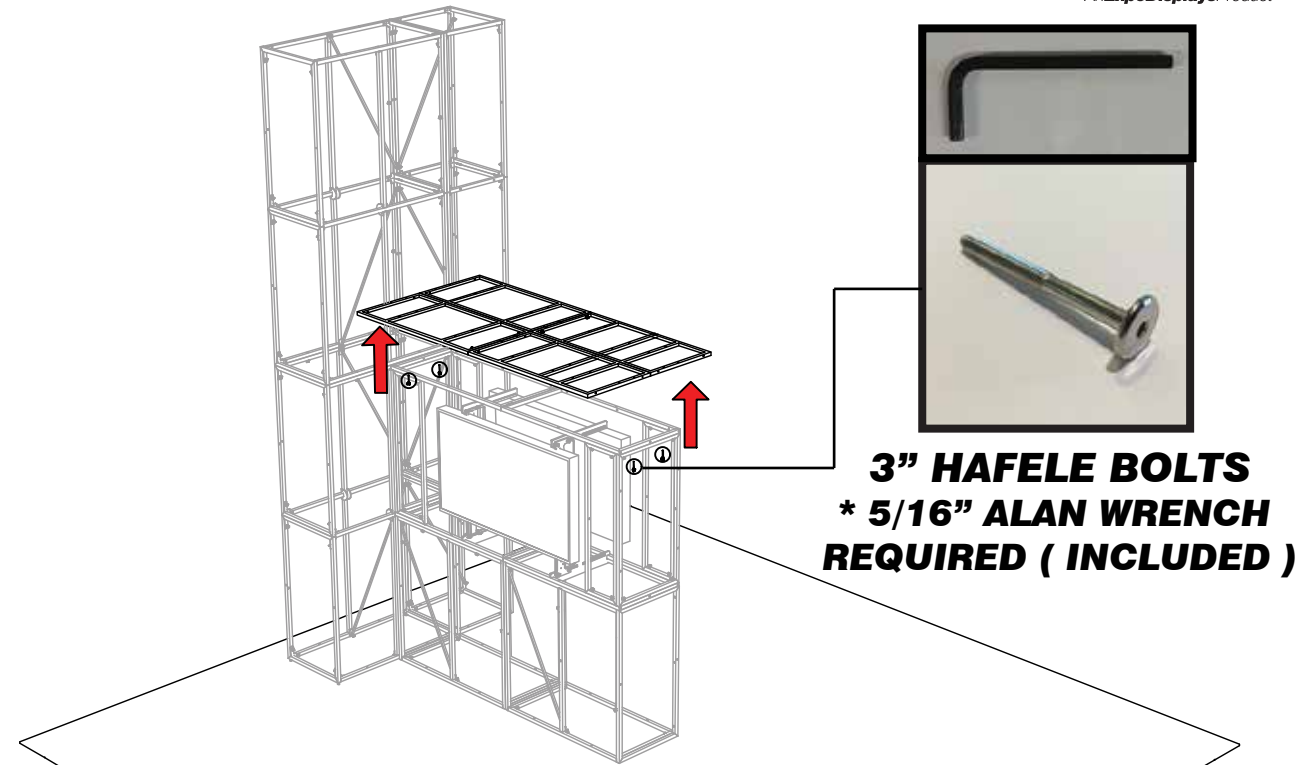
**TV TOWER CANOPY  
& SUPPORT ASSEMBLY**

( NOTE: CANOPIES WITH  
ADDITIONAL BARS  
INSTALLED HERE )



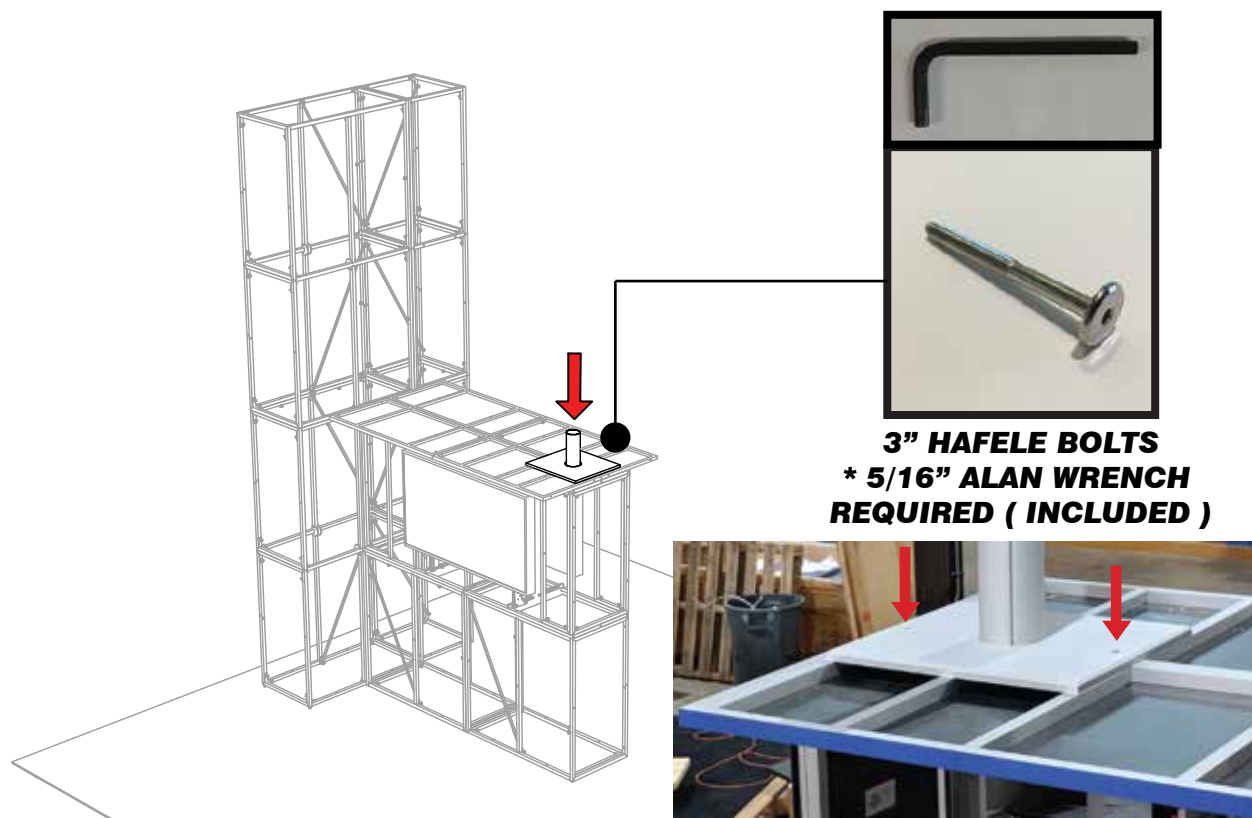
( SEE APPENDIX C-1 FOR ASSEMBLY )  
JOIN ( 4 ) 23 X 46 CANOPIES WITH ( 4 ) BLACK THUMBSCREWS

ATTACH JOINED CANOPIES WITH  
( 4 ) HAFELE BOLTS IN DIRECTION SHOWN



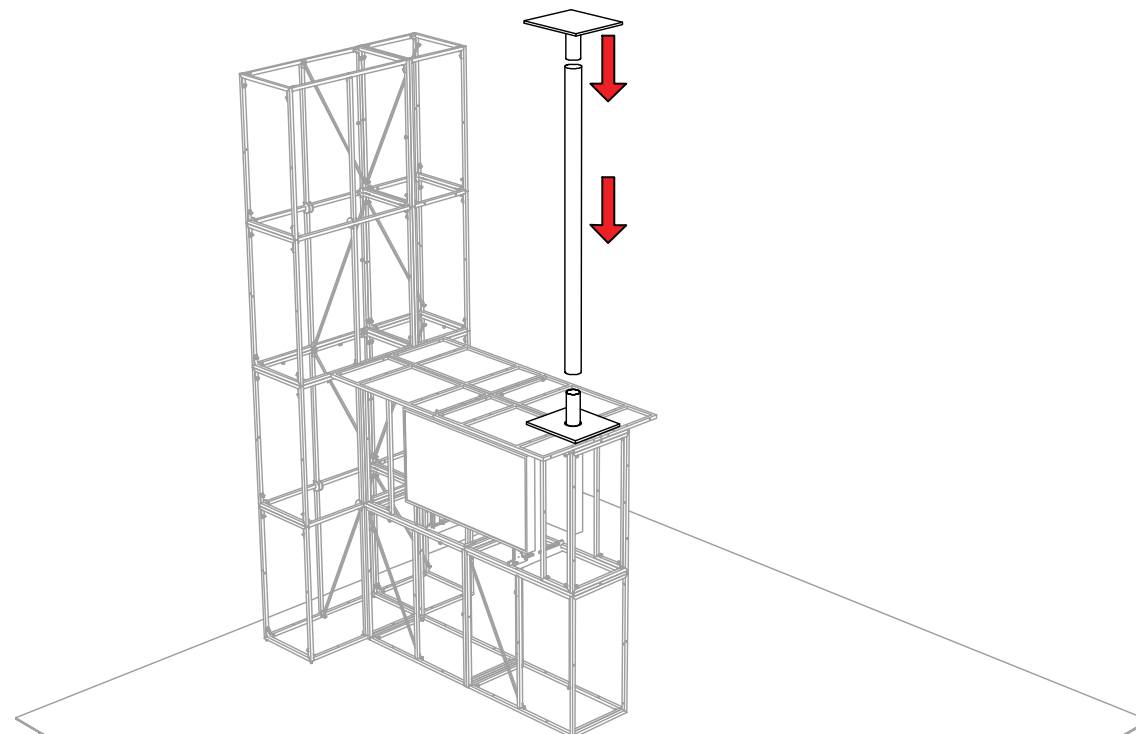
**3" HAFELE BOLTS  
\* 5/16" ALAN WRENCH  
REQUIRED ( INCLUDED )**

**3" HAFELE BOLTS  
\* 5/16" ALAN WRENCH  
REQUIRED ( INCLUDED )**



JOIN ( 1 ) BASE PLATE TUBE  
WITH ( 2 ) HAFELE BOLTS ( PICTURED )

INSERT ( 1 ) 8' BEAM INTO BASE PLATE TUBE THEN  
PLACE TOP PLATE TUBE INTO 8' BEAM AS SHOWN







## Assembly Instructions

Type: Canopy  
Page: 1

JOB ID: 7891- NE

Client Name: Expo Displays

Project Name: Miller Vet Supply@ VMX 2019

Contact: Brandon Connell

Quantity: 1

Graphics: Double Sided

Construction: Pillowcase

Fabric Skin: Soft knit

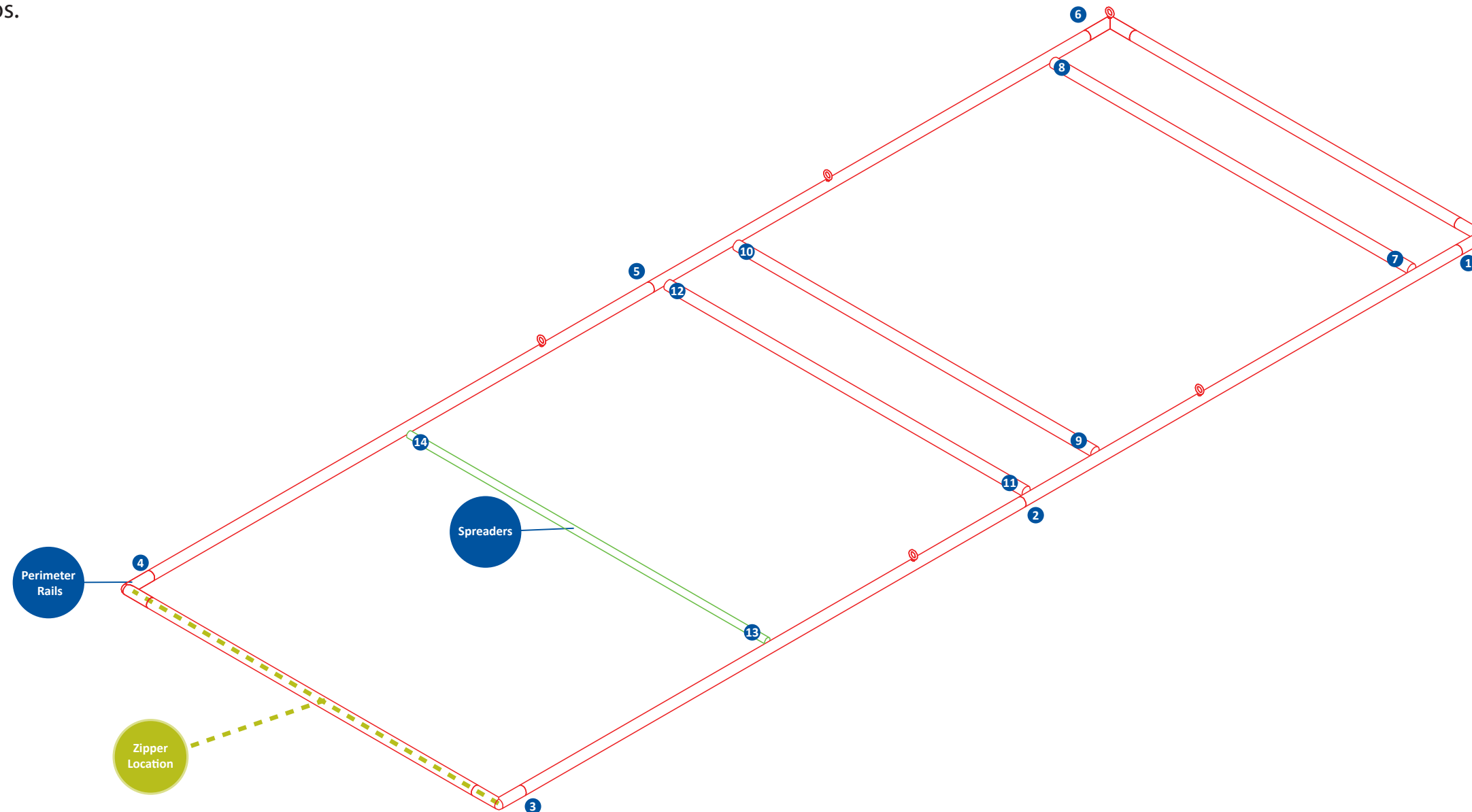
1. Locate the frame sign from packaging.
2. Locate all 4 perimeter rail 1 thru 6 . Connect together to form shape of canopy matching all frame labels.
3. Locate all 4 spreaders 7 thru 14. Attach to perimeter matching all frame labels with provided 2" flathead bolts.
4. Locate the provided gloves from packaging, put on before handling of skin.
5. Locate the fabric, slide frame into fabric lining up all hanging point locations. Adjust fabric as needed while zipping the zipper along the topside of frame in location as indicated

6. Attach eyebolts to all hanging point locations.
7. Hang Canopy in desired location.

### Parts List

- |                                    |                    |
|------------------------------------|--------------------|
| 1- T-wrench                        | 4- Perimeter Rails |
| 1- Drop cloth                      | 4- Spreaders       |
| 1- Sets Gloves                     | 1- Fabric skin     |
| 8 + 2 Extra 2" flathead Bolts      |                    |
| 6 + 1 Extra 1/4-20" x 1" Eye bolts |                    |

Size: 180" long x 69" wide  
Weight: 50 Lbs.



Expo EXPO Displays<sup>®</sup>  
A Division of Diamond Displays International

3401 Mary Taylor Road  
Birmingham, Alabama 35235  
(205) 439-8200

Job #: 76042

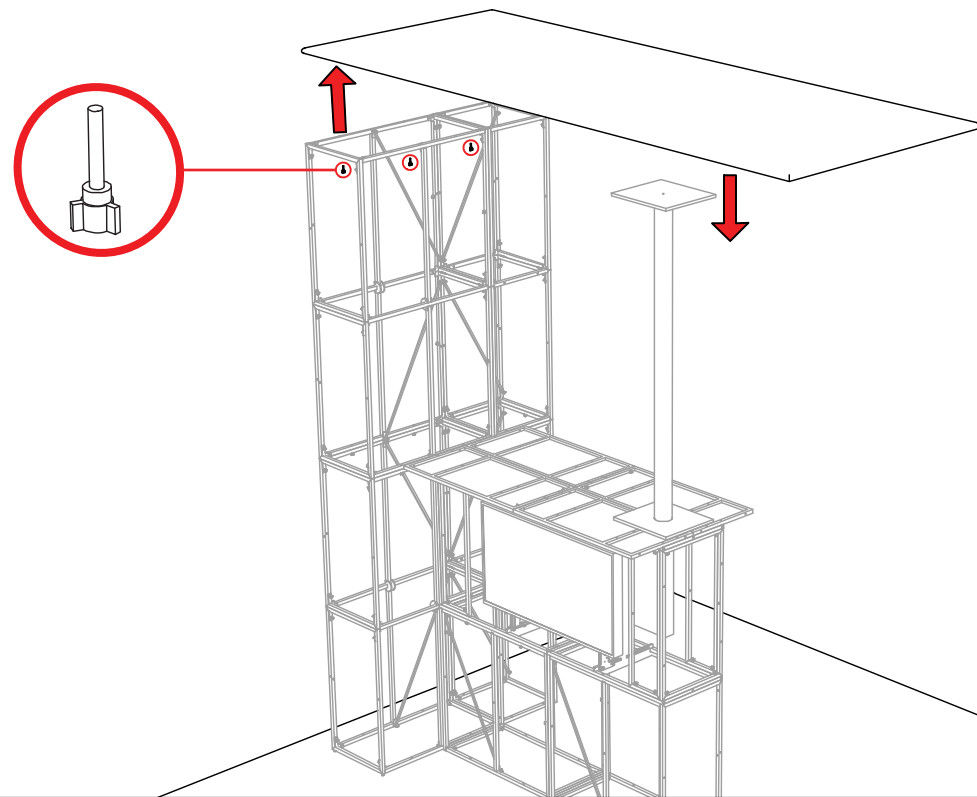
Project Title

20X20 MULTIQUAD<sup>®</sup>

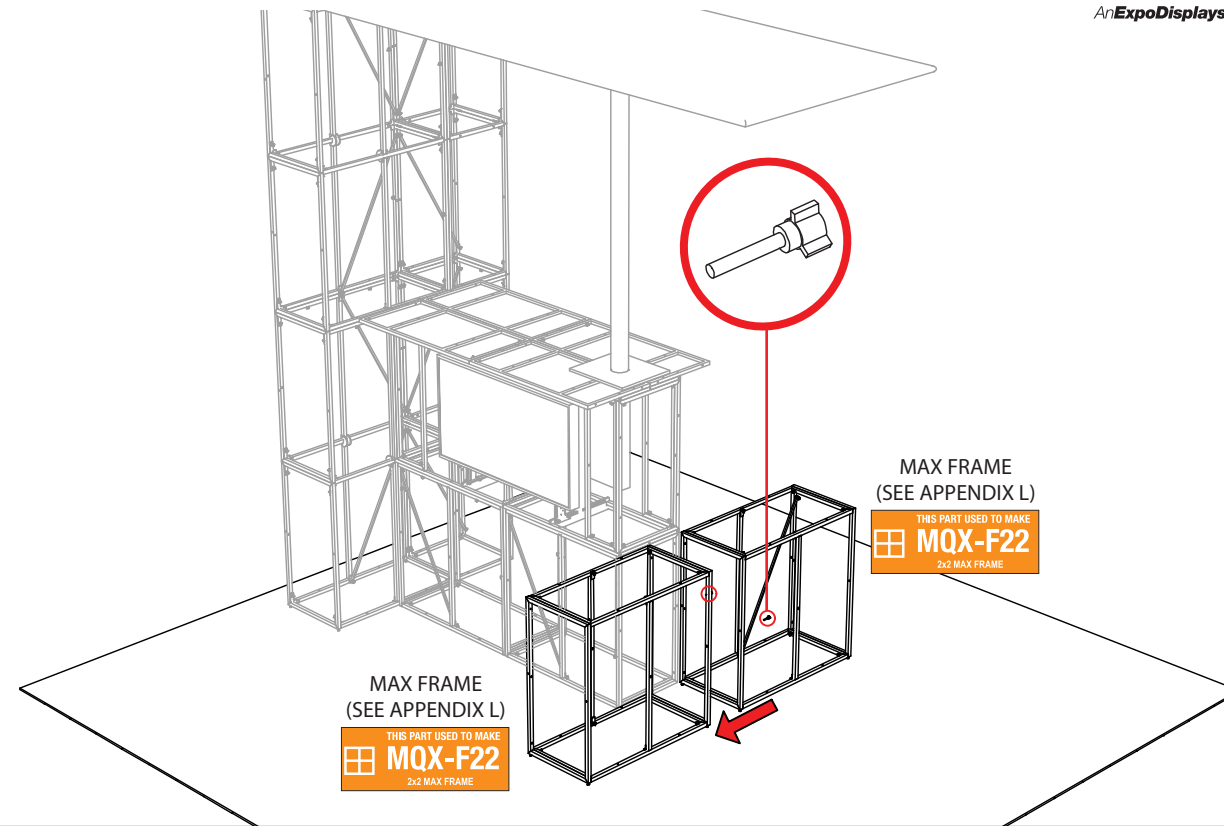
Sheet Title

ASSEMBLY  
INSTRUCTIONS  
CANOPY  
ASSEMBLY

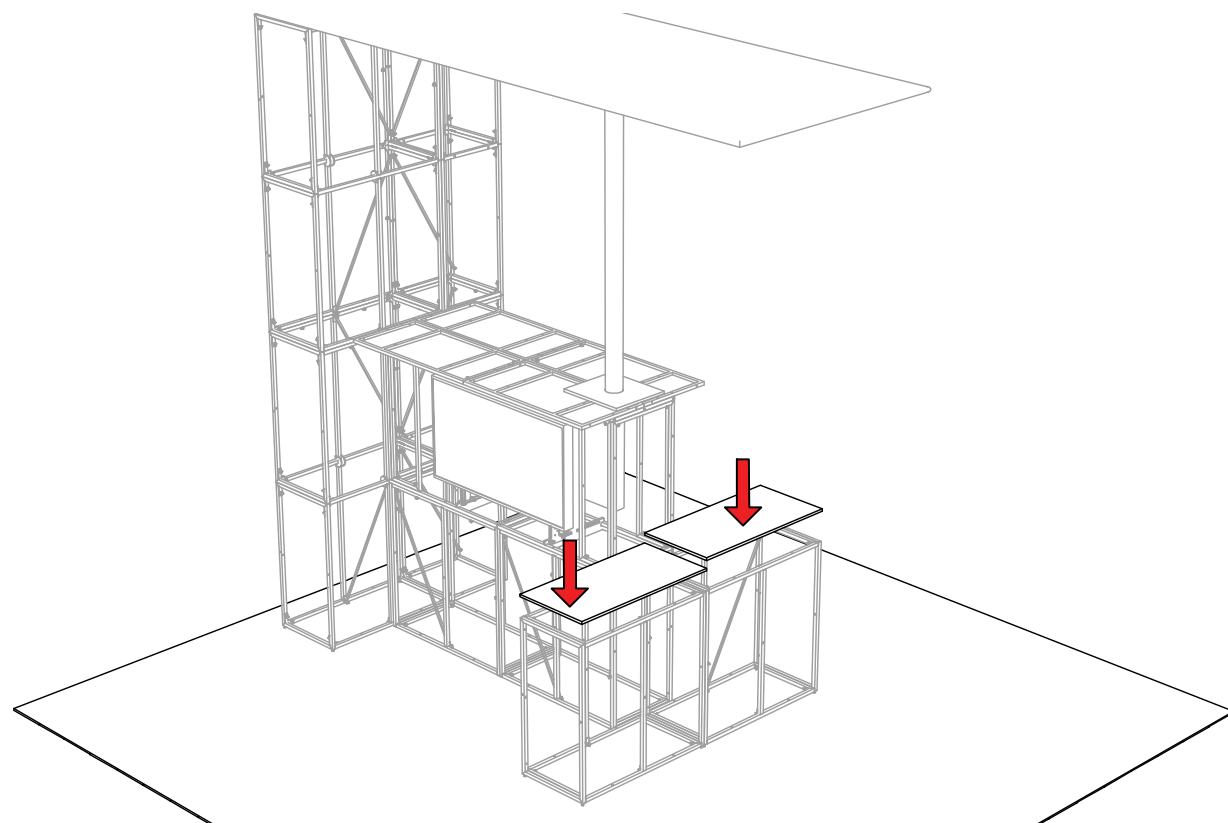
# CANOPY & LIGHTING SET-UP



PLACE ( **1** ) **LARGE CANOPY** ON TOP; THEN JOIN WITH ( **3** ) **RED THUMBSCREWS** IN DIRECTION SHOWN



JOIN ( **2** ) **LABELED COUNTER FRAMES** WITH ( **2** ) **RED THUMBSCREWS** IN DIRECTION SHOWN



PLACE ( **2** ) **23 X 46 COUNTERTOPS** ON TOP OF **COUNTER FRAMES** AS SHOWN



ATTACH ( **1** ) **PENDANT LIGHT** TO **PRE-INSTALLED JACK PORT** IN CANOPY FRAMEWORK WHERE SHOWN



**Expo EX PO Displays**  
A Division of Diamond Displays International

3401 Mary Taylor Road  
Birmingham, Alabama 35235  
(205) 439-8200

Job #: 76042






Project Title

**MILLER VET  
SUPPLY**  
**20X20 MULTIQAD®**

Sheet Title

**ASSEMBLY  
INSTRUCTIONS**  
**CANOPY & LIGHTING  
SETUP**

# ELECTRICAL REQUIREMENTS

|   |                    |
|---|--------------------|
|  | POWER ADAPTER CORD |
|  | EXTENSION CORD     |
|  | TV POWER CORD      |
|  | POWER "SQUID"      |
|  | POWER DROP         |



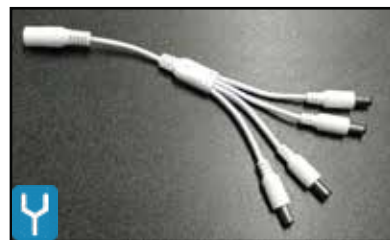
POWER ADAPTER  
( PROVIDED )



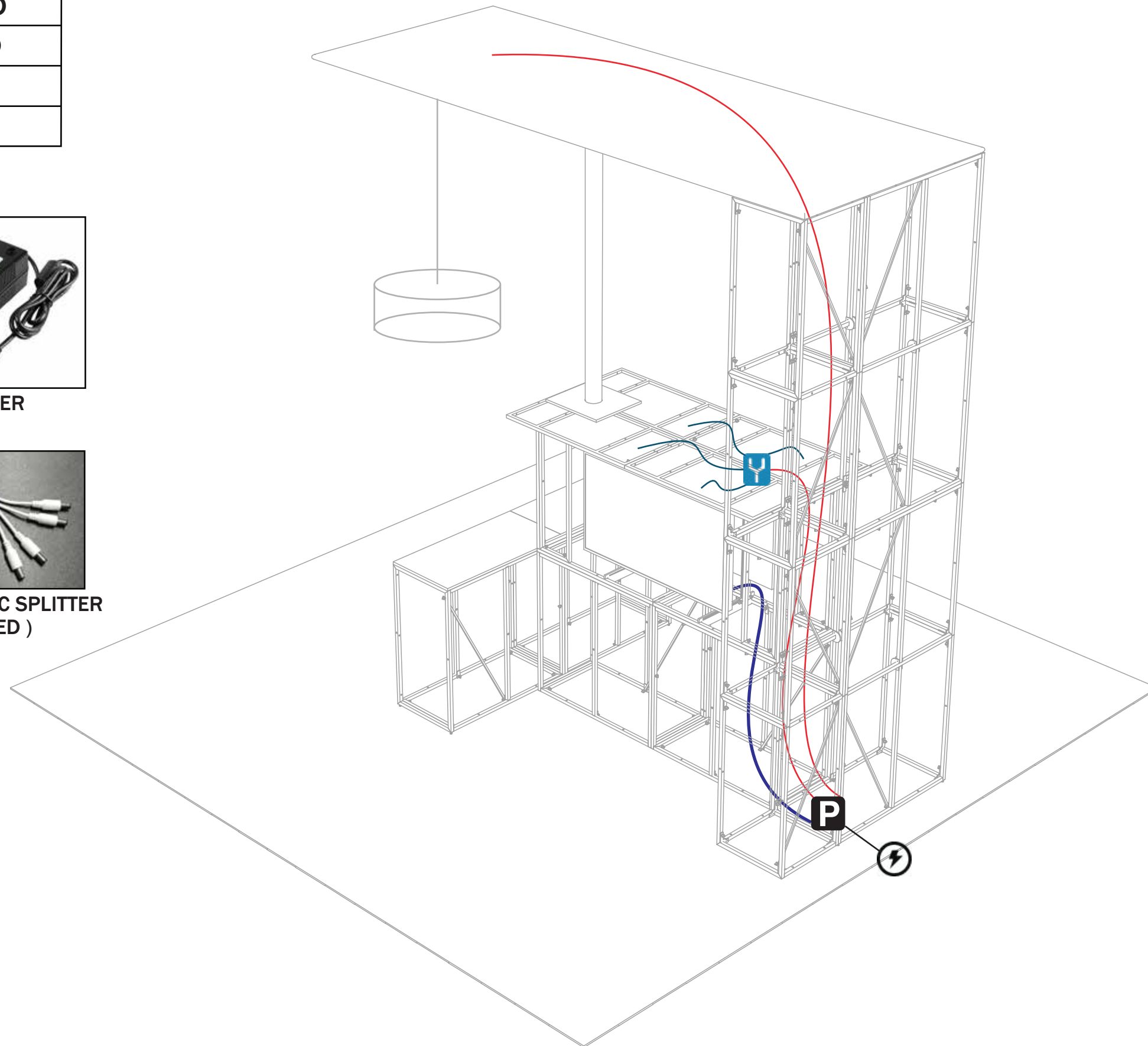
AC ADAPTER



POWER "SQUID"  
( PROVIDED )



4 - WAY WHITE DC SPLITTER  
( PROVIDED )



**Expo EX PO Displays**  
A Division of Diamond Displays International

3401 Mary Taylor Road  
Birmingham, Alabama 35235  
(205) 439-8200

Job #: 76042

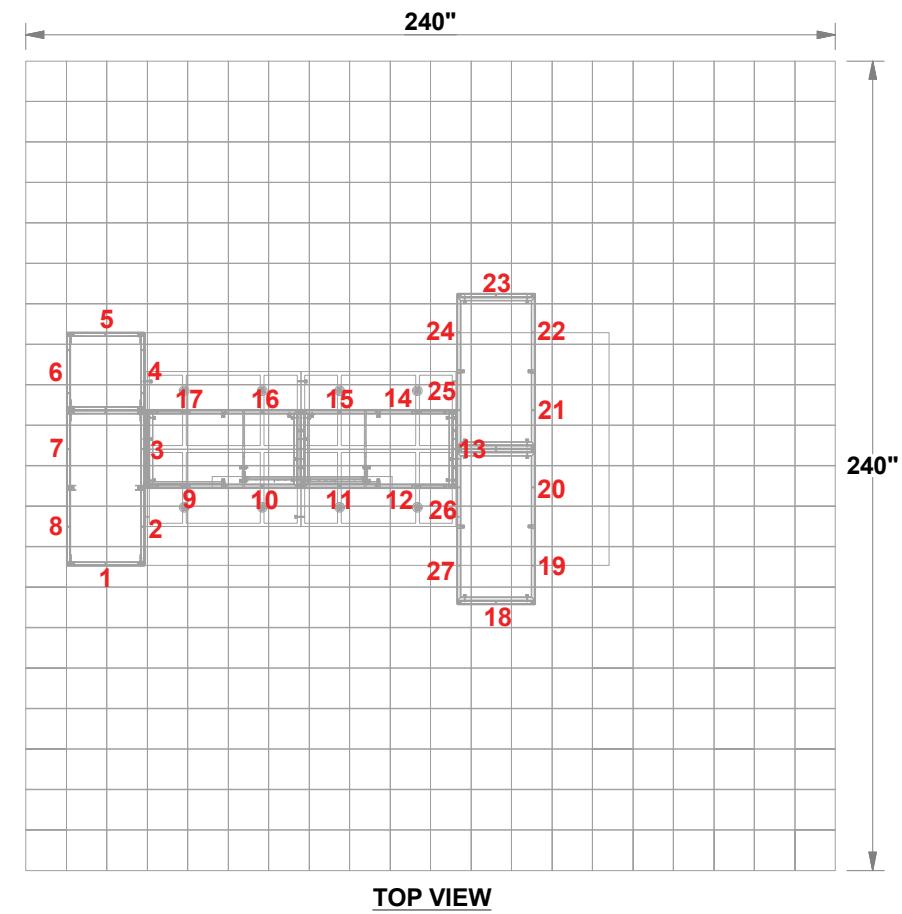
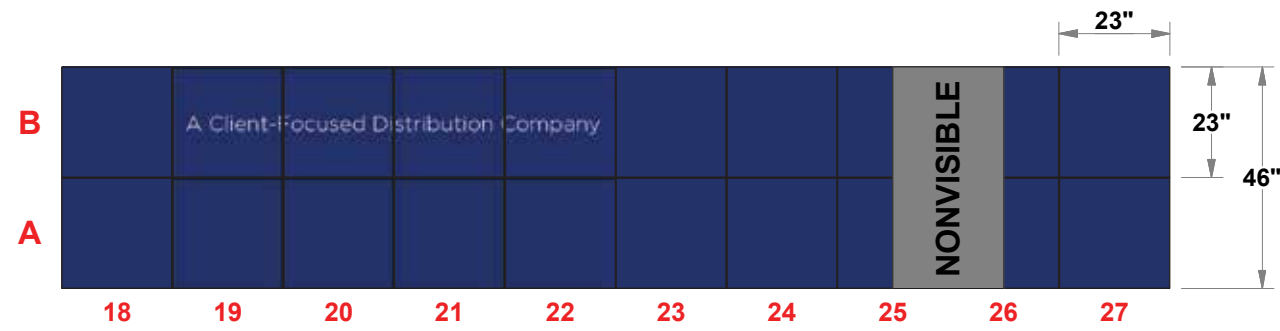
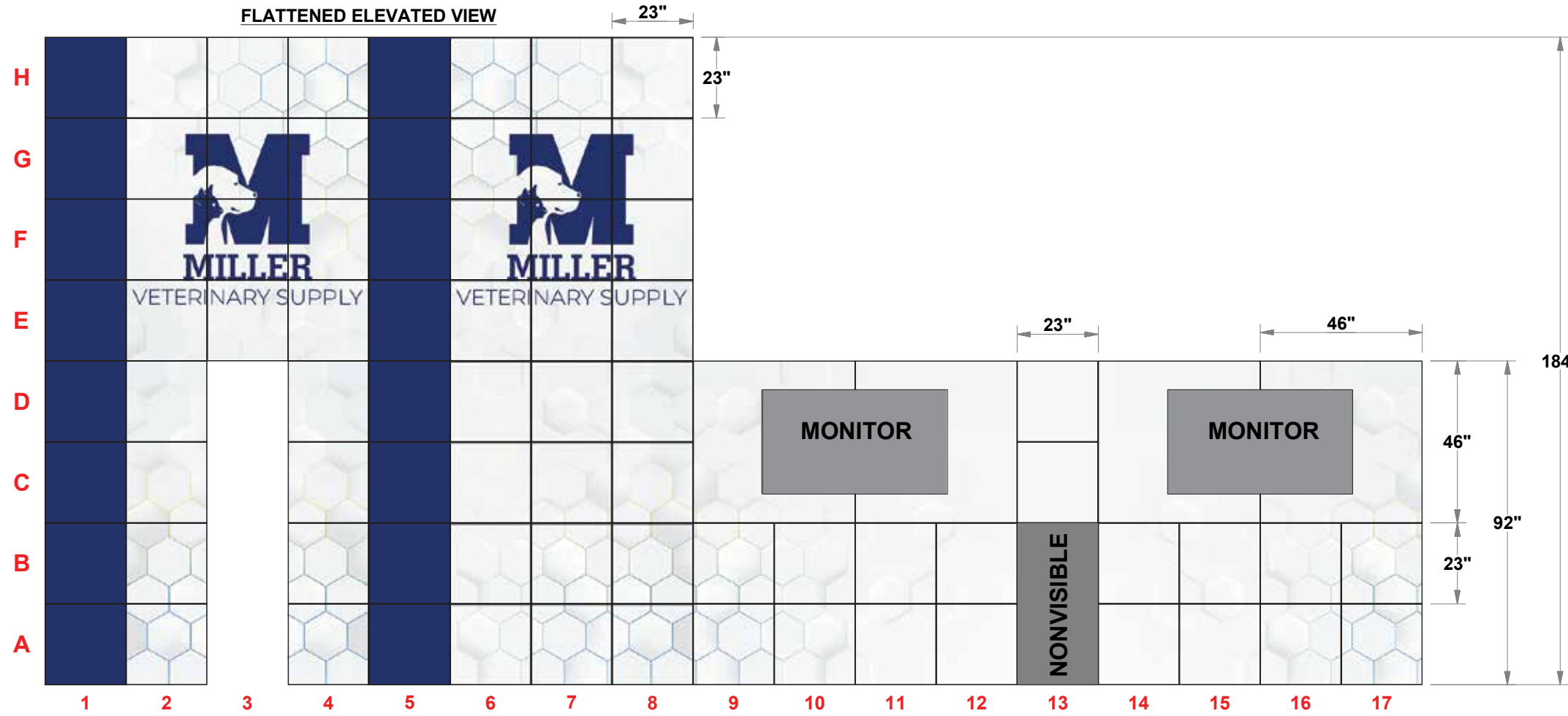
Project Title

20X20 MULTIQAD ®

Sheet Title

**ASSEMBLY  
INSTRUCTIONS  
ELECTRICAL  
REQUIREMENTS**

# GRAPHIC LAYOUT



**Expo EX PO Displays**  
A Division of Diamond Displays International

3401 Mary Taylor Road  
Birmingham, Alabama 35235  
(205) 439-8200

Job #: 76042

Project Title

**20X20 MULTIQUAD®**

Sheet Title

**ASSEMBLY INSTRUCTIONS**  
**GRAPHIC LAYOUT**