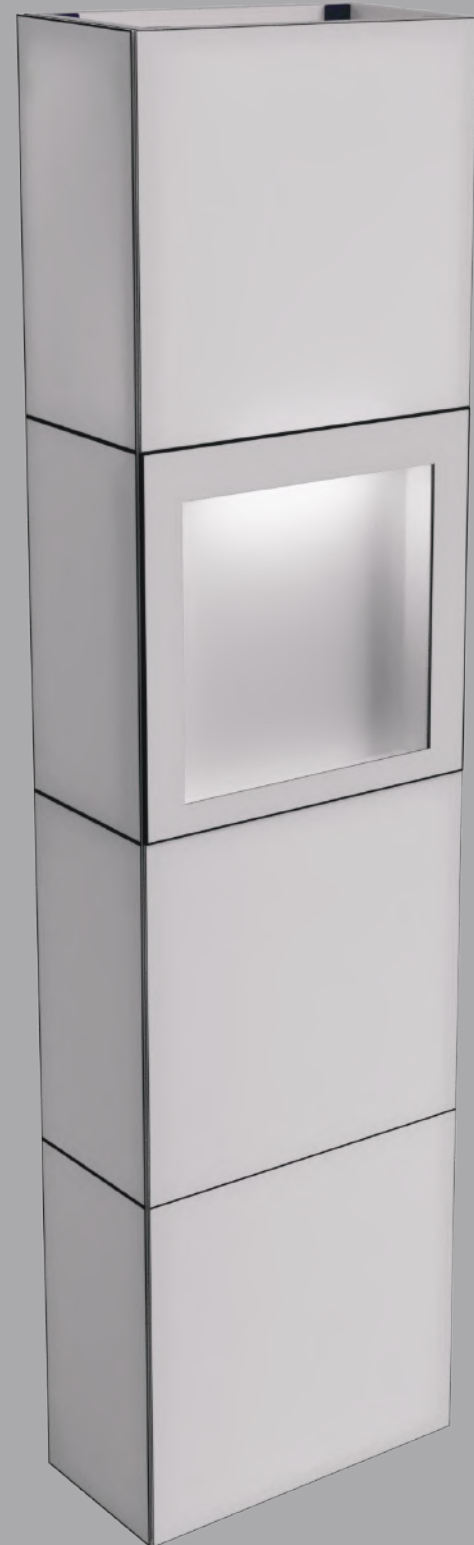


# SHALLOW SHOWCASE ASSEMBLY

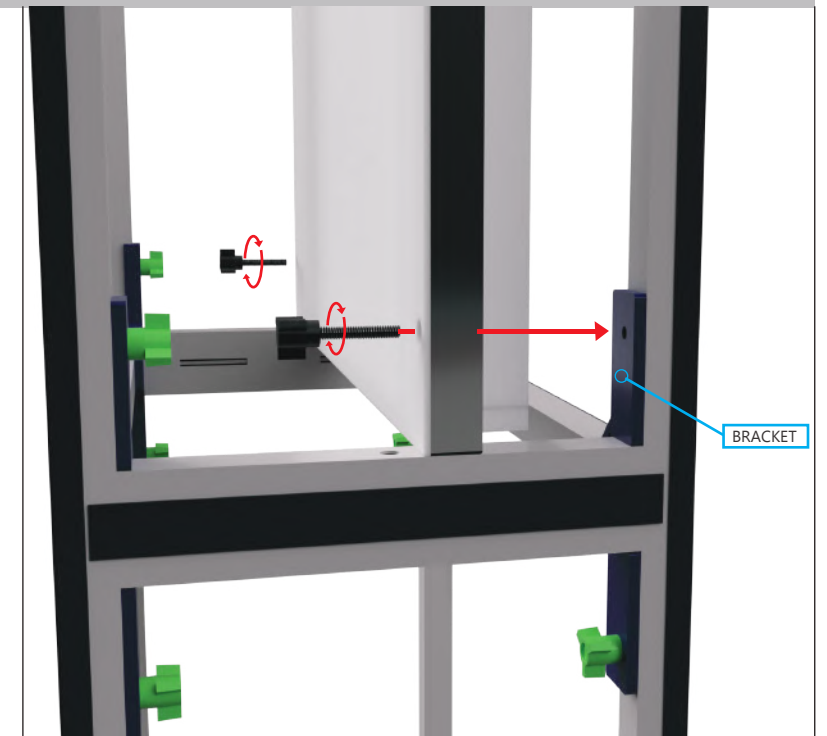
EXPO MultiQuad®



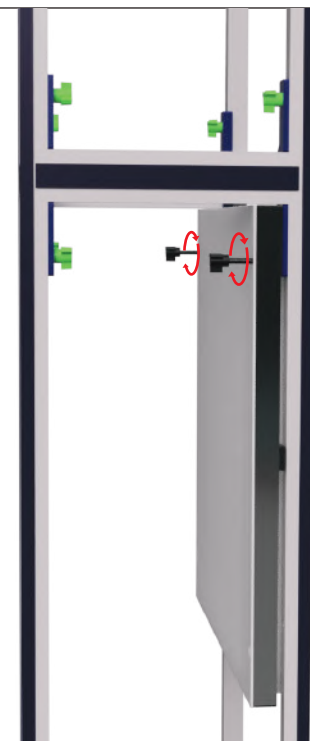
**1** START BY ASSEMBLING THE MULTIQUAD FRAMING.



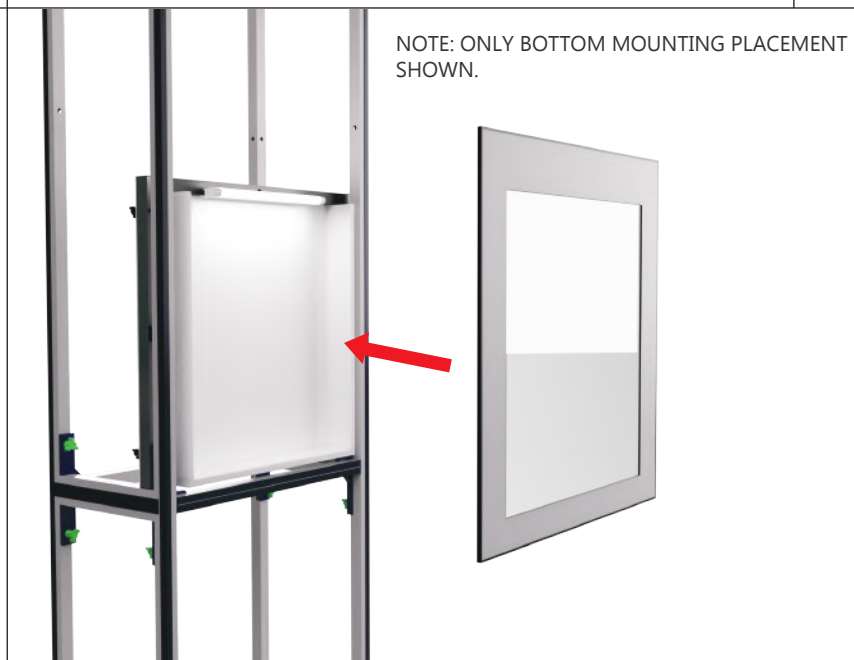
**2** POSITION THE SHOWCASE IN ITS PROPER LOCATION.



**3A** USING THE BLACK THUMB SCREWS PROVIDED, INSERT THEM THROUGH THE SHOW CASE AND SCREW THEM INTO THE FRAMEWORK USING THE BOTTOM MOUNTING POSITION.



**3B** USING THE BLACK THUMB SCREWS PROVIDED, INSERT THEM THROUGH THE SHOW CASE AND SCREW THEM INTO THE FRAMEWORK USING THE TOP MOUNTING POSITION.



**5** PLACE PANELS WHERE APPROPRIATE FOR YOUR DISPLAY.

