

ASSEMBLY INSTRUCTIONS:



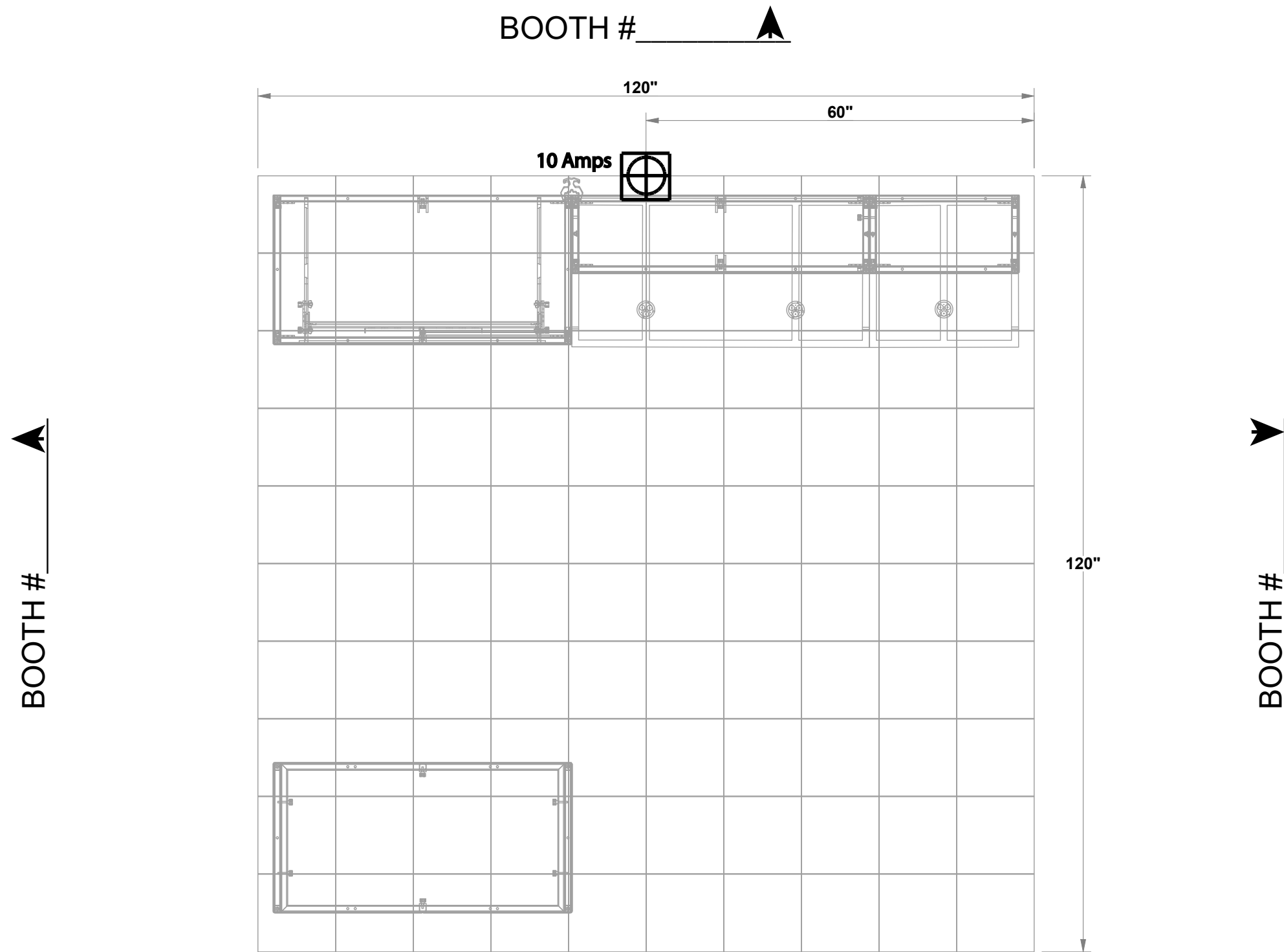
MultiQuad[®]
The Last Exhibit You'll Ever Buy

3401 Mary Taylor Road
Birmingham, Alabama 35235
(205) 439-8200

KIT #01

10 x 10 Custom MultiQuad[®]

■ *Electrical Plan*



TOP VIEW

	MAIN ELECTRICAL DROP
	ADDITIONAL ELECTRICAL OUTLET

BOOTH # _____

ASSEMBLY INSTRUCTIONS:

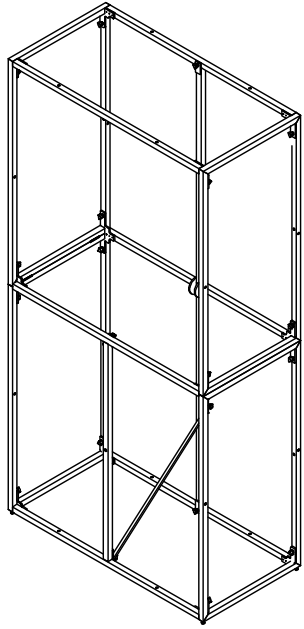
- * NO TOOLS REQUIRED TO ASSEMBLE
- * ASSEMBLE EACH BOXED FRAME INDIVIDUALLY THEN JOIN AS SHOWN IN THE FOLLOWING PAGES:



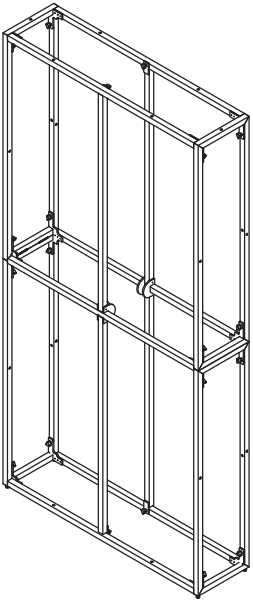
3401 Mary Taylor Road
Birmingham, Alabama 35235
(205) 439-8200

KIT #01

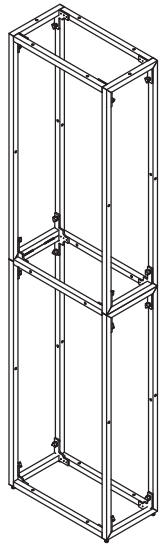
10 x 10 Custom MultiQuad®



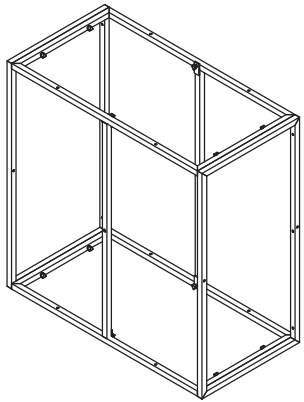
MAX FRAME
(SEE APPENDIX J-6)
MQX-F24
2x4 MAX FRAME



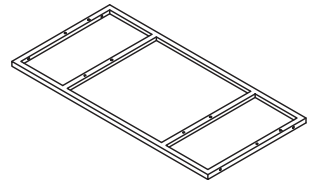
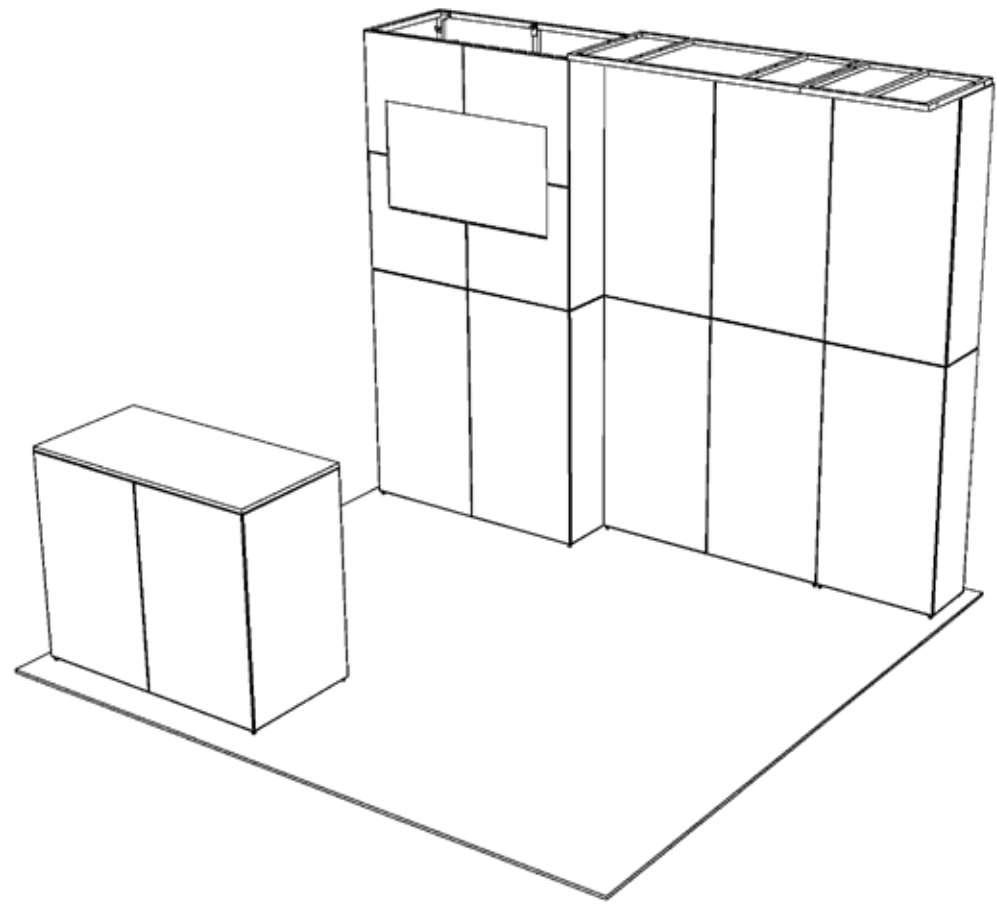
STANDARD FRAME
(SEE APPENDIX B)
MQ-F24
2x4 STANDARD FRAME



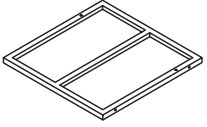
STANDARD FRAME
(SEE APPENDIX D)
MQ-F14
1x4 STANDARD FRAME



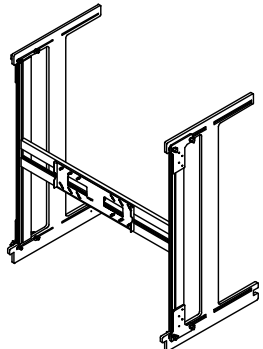
MAX FRAME
(SEE APPENDIX L-2)
MQX-F22
2x2 MAX FRAME



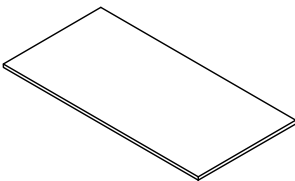
23 X 46 CANOPY



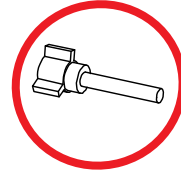
23 X 23 CANOPY



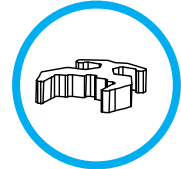
MEDIA MOUNT
(SEE APPENDIX J-7)
MEDIA MOUNT



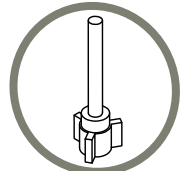
23 X 46 COUNTERTOP



RED THUMBSCREWS



PRESSURE CLAMPS

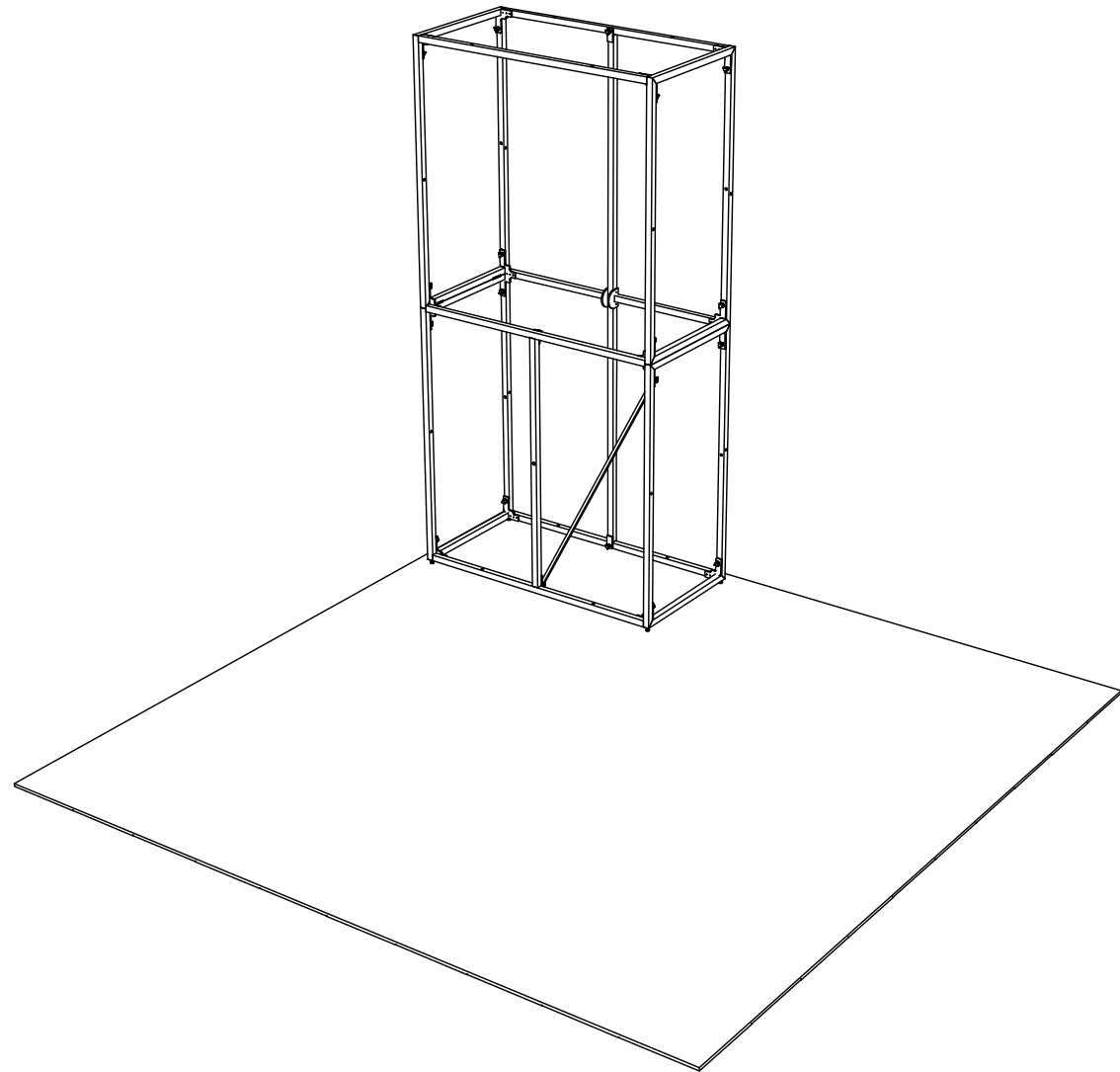


BLACK THUMBSCREWS

ASSEMBLY INSTRUCTIONS:

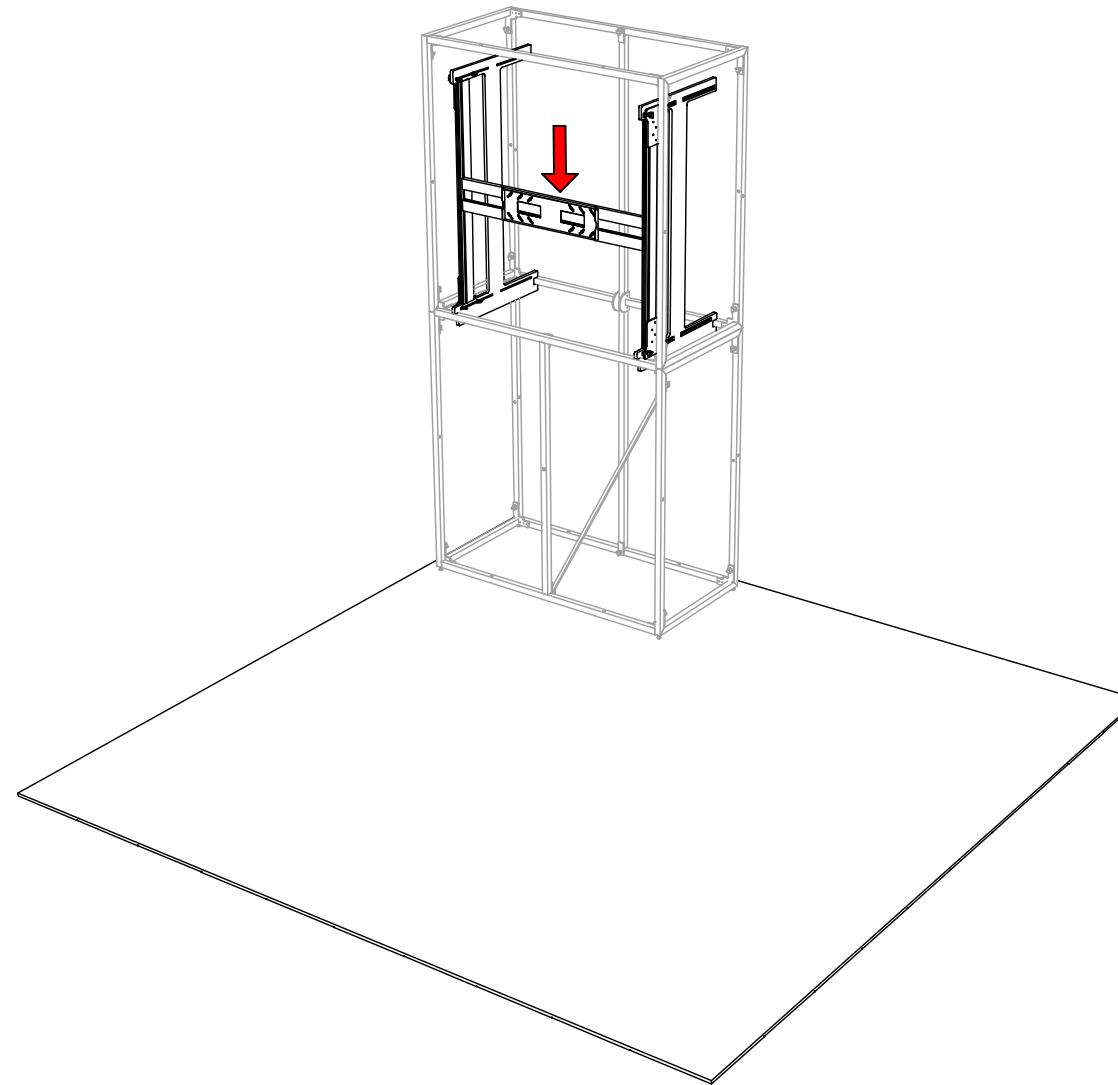
PLACE **LABELED FRAME** IN BACK CORNER OF FLOORSPACE AS SHOWN

MAX FRAME
(SEE APPENDIX J)



INSERT **ASSEMBLED MEDIA MOUNT** INTO **LABELED FRAME** AS SHOWN

MEDIA MOUNT
(SEE APPENDIX J-7)



MultiQuad[®]
The Last Exhibit You'll Ever Buy

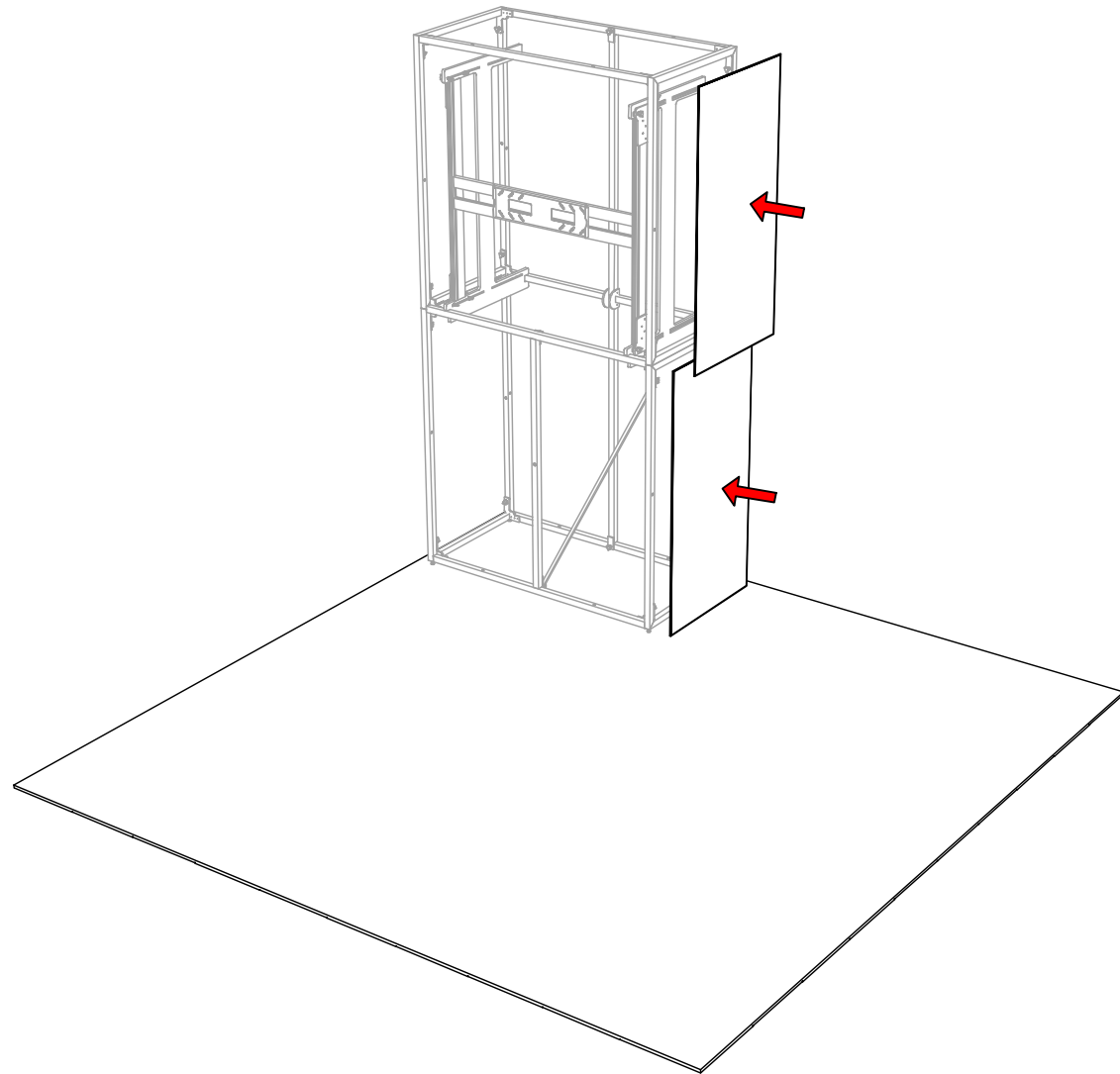
3401 Mary Taylor Road
Birmingham, Alabama 35235
(205) 439-8200

KIT #01

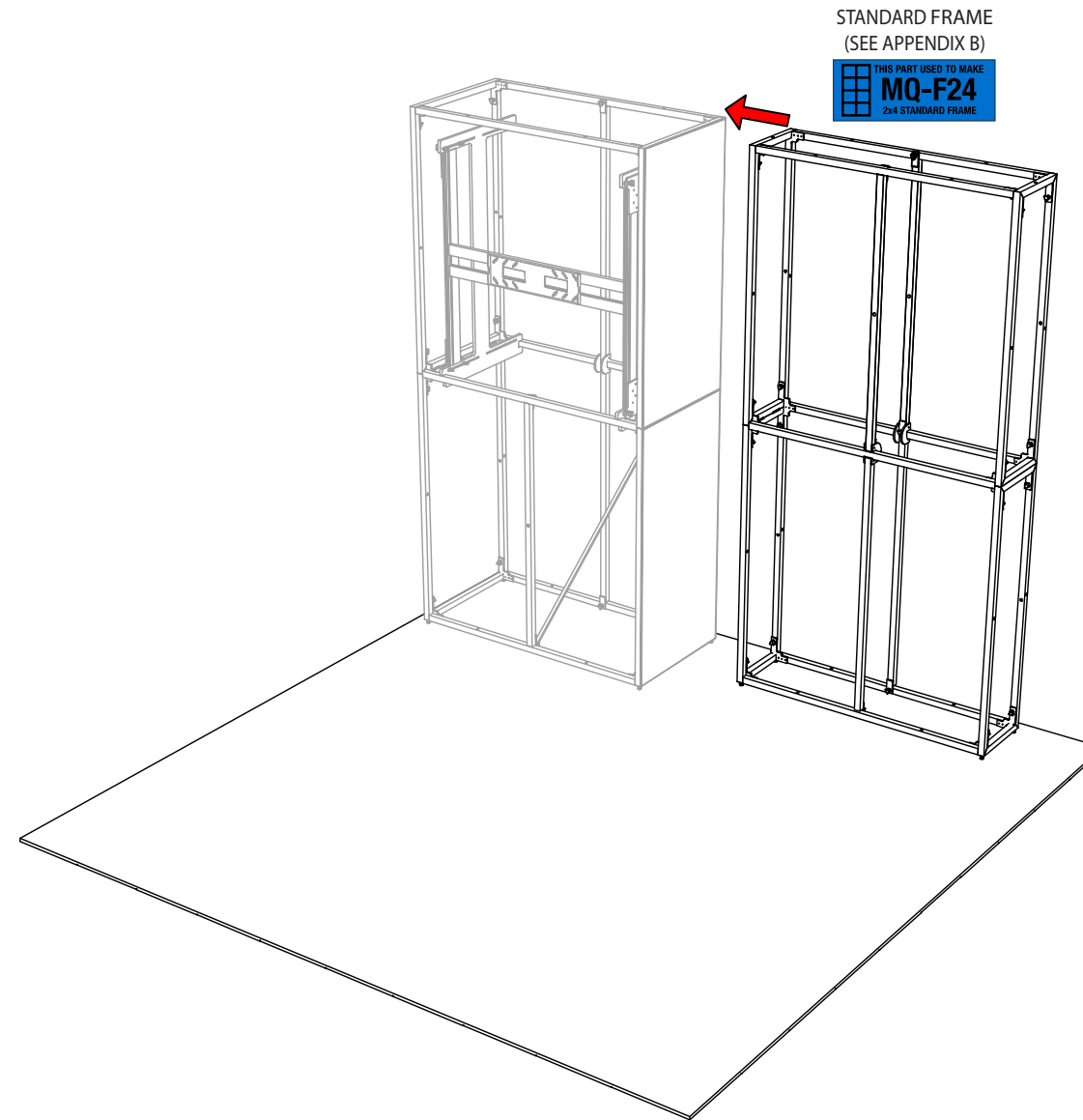
10 x 10 Custom MultiQuad[®]

ASSEMBLY INSTRUCTIONS:

PLACE (2) **DOUBLE QUADS** ON
RIGHT SIDE OF **MEDIA TOWER** AS SHOWN



PLACE **LABELED FRAME** AGAINST
SIDE OF **MEDIA TOWER** IN DIRECTION SHOWN



MultiQuad[®]
The Last Exhibit You'll Ever Buy

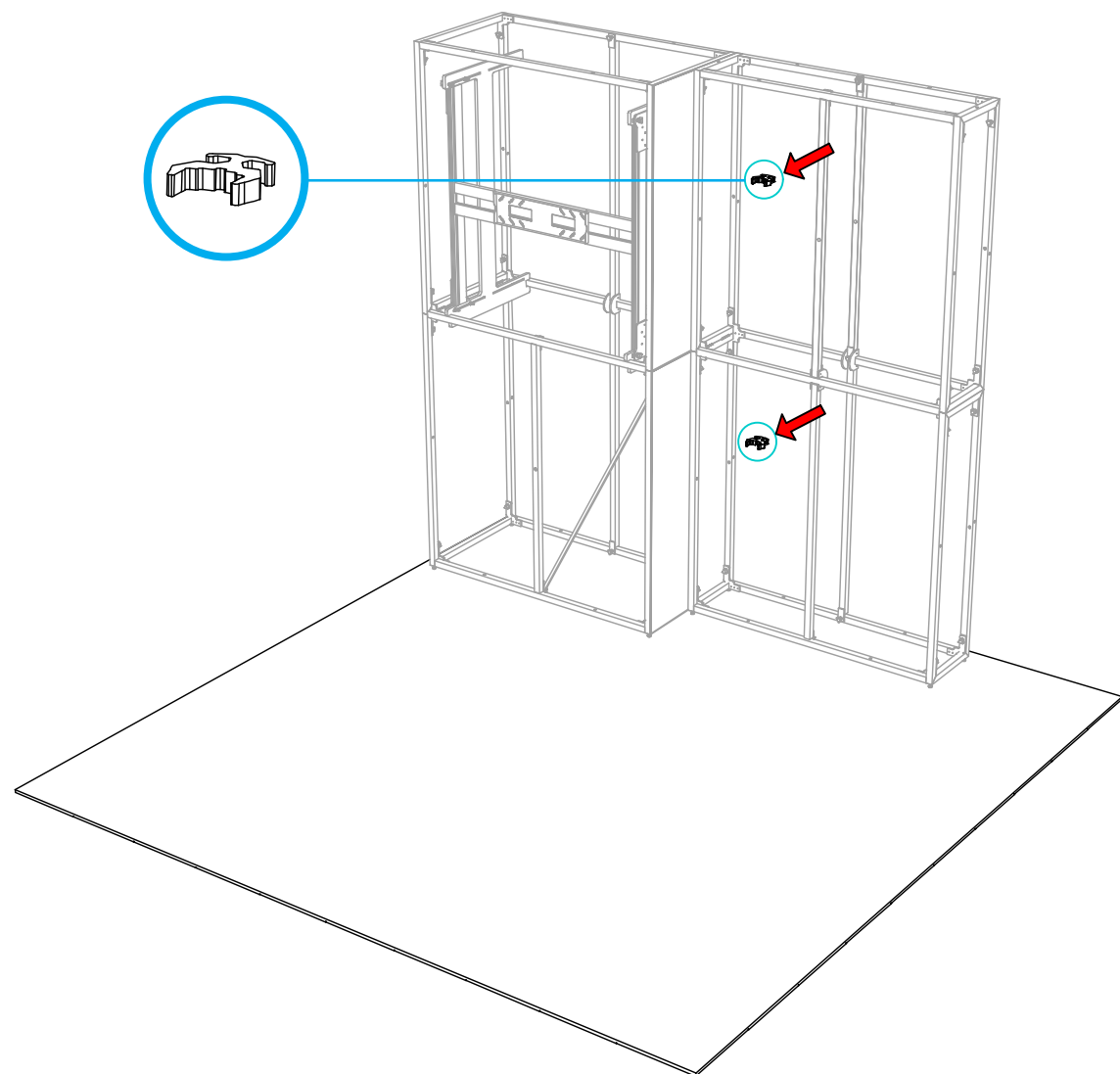
3401 Mary Taylor Road
Birmingham, Alabama 35235
(205) 439-8200

KIT #01

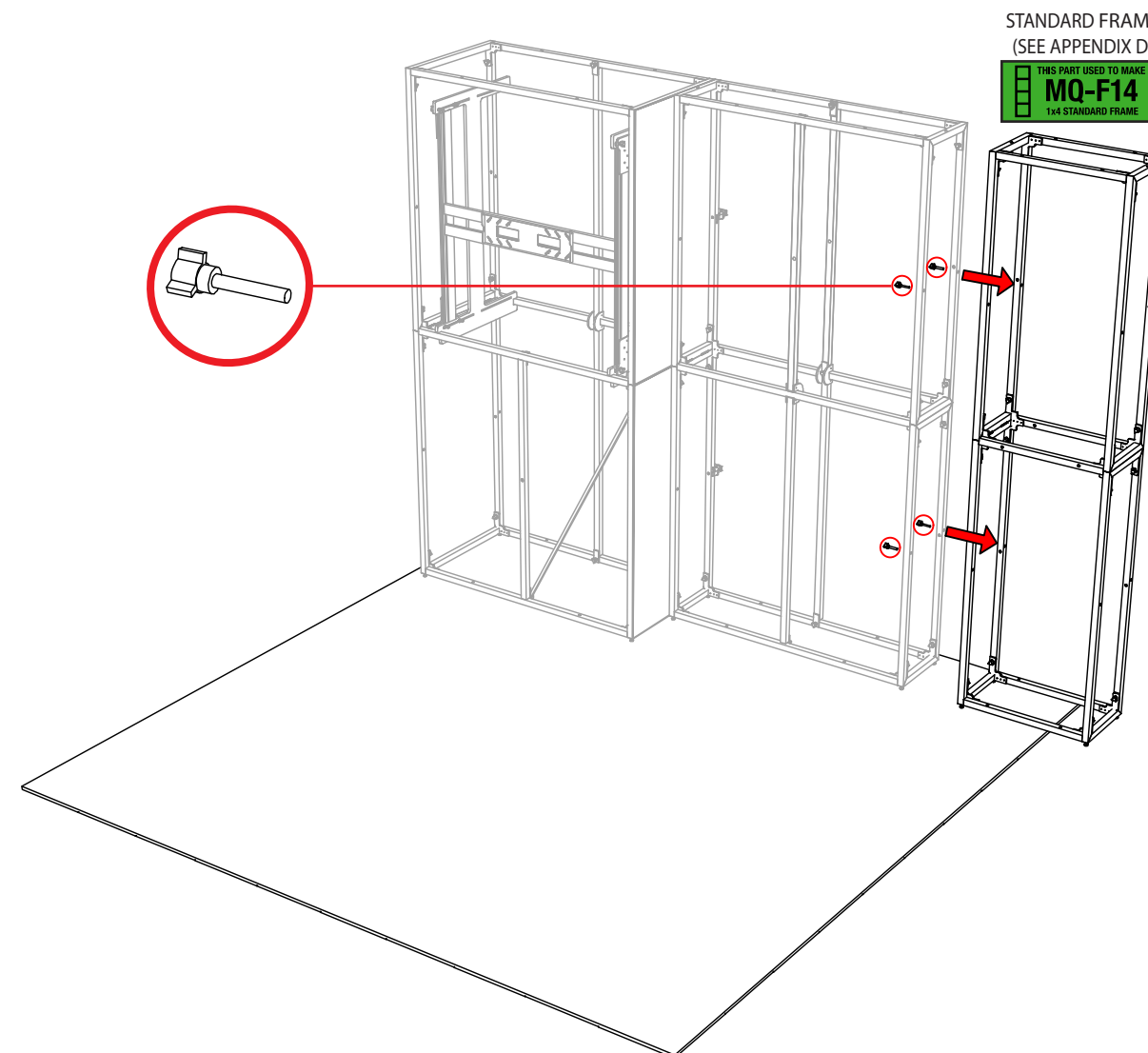
10 x 10 Custom MultiQuad[®]

ASSEMBLY INSTRUCTIONS:

ATTACH (2) **PRESSURE CLAMPS** WHERE **LABELED FRAMES** MEET IN BACK AS SHOWN



JOIN **LABELED FRAME** WITH (4) **RED THUMBSCREWS** TO **MAIN WALL ASSEMBLY** IN DIRECTION SHOWN



MultiQuad[®]
The Last Exhibit You'll Ever Buy

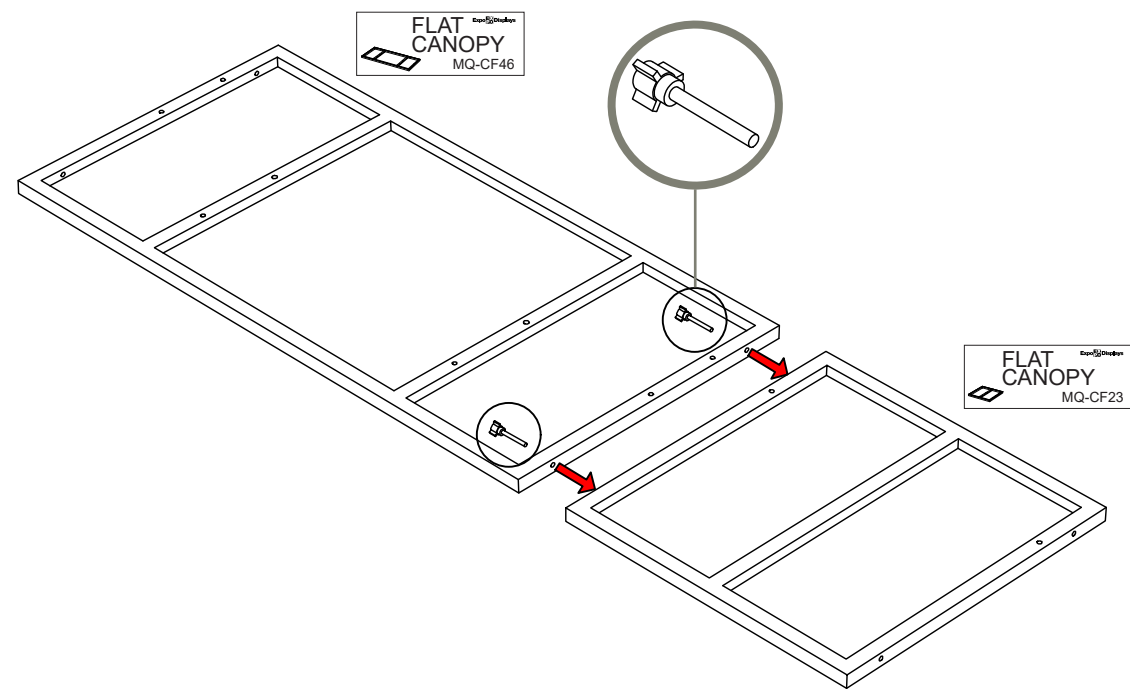
3401 Mary Taylor Road
Birmingham, Alabama 35235
(205) 439-8200

KIT #01

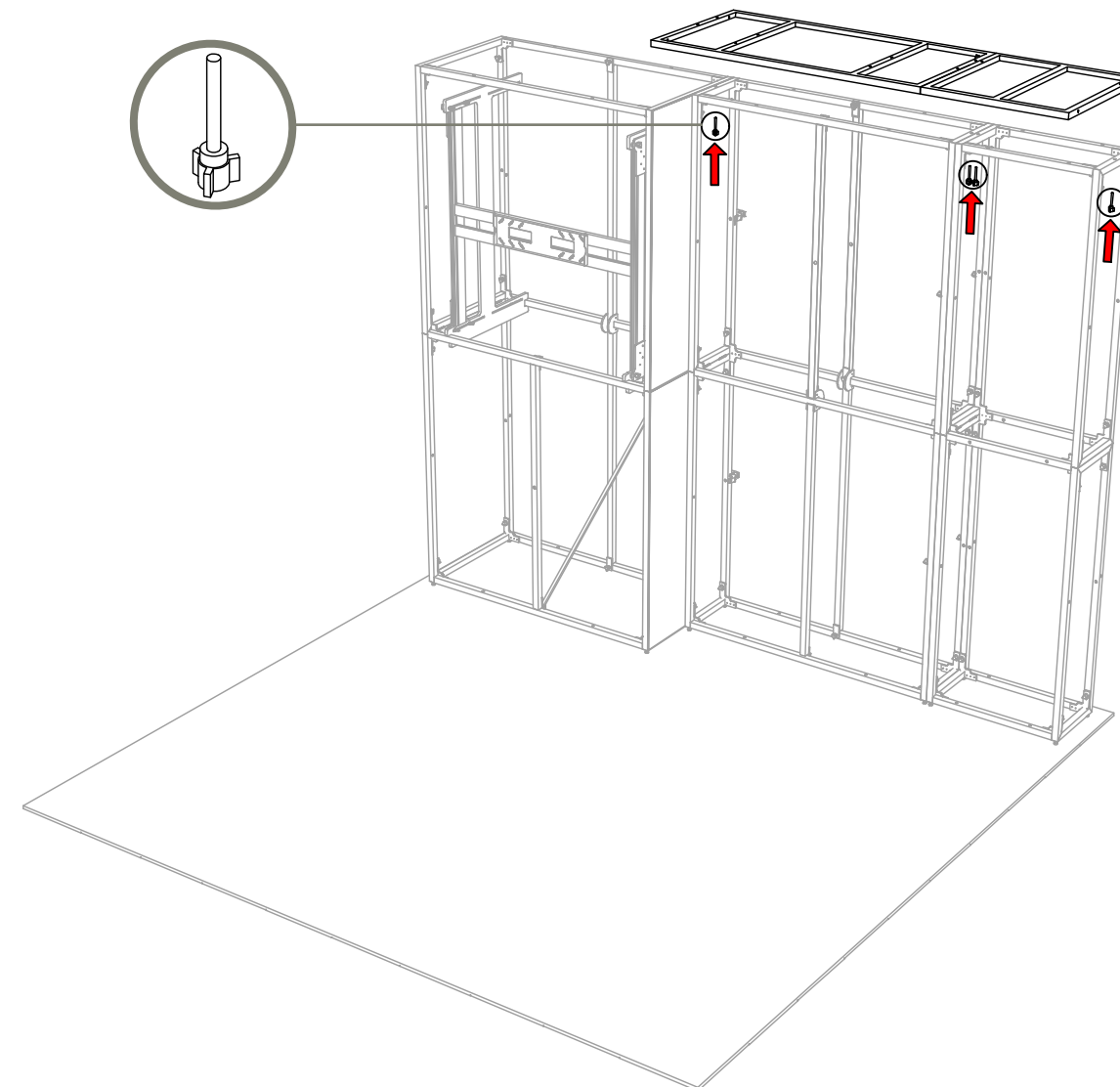
10 x 10 Custom MultiQuad[®]

ASSEMBLY INSTRUCTIONS:

JOIN **23 X 46 CANOPY** & **23 X 23 CANOPY** WITH
(**2**) **BLACK THUMBSCREWS** IN DIRECTION SHOWN



JOIN **ASSEMBLED CANOPIES** WITH
(**4**) **BLACK THUMBSCREWS** ON TOP OF
MAIN WALL ASSEMBLY IN DIRECTION SHOWN



MultiQuad[®]
The Last Exhibit You'll Ever Buy

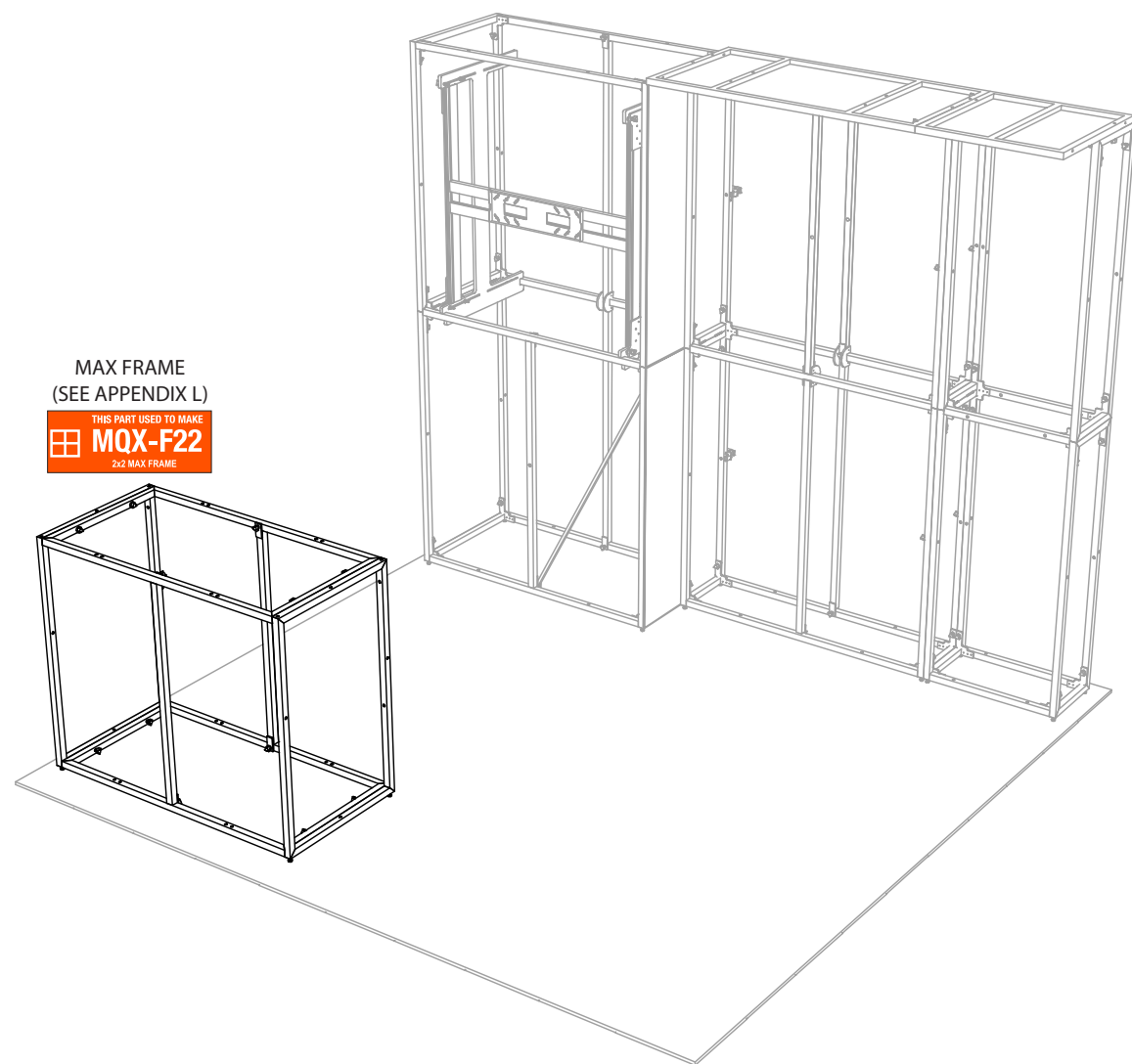
3401 Mary Taylor Road
Birmingham, Alabama 35235
(205) 439-8200

KIT #01

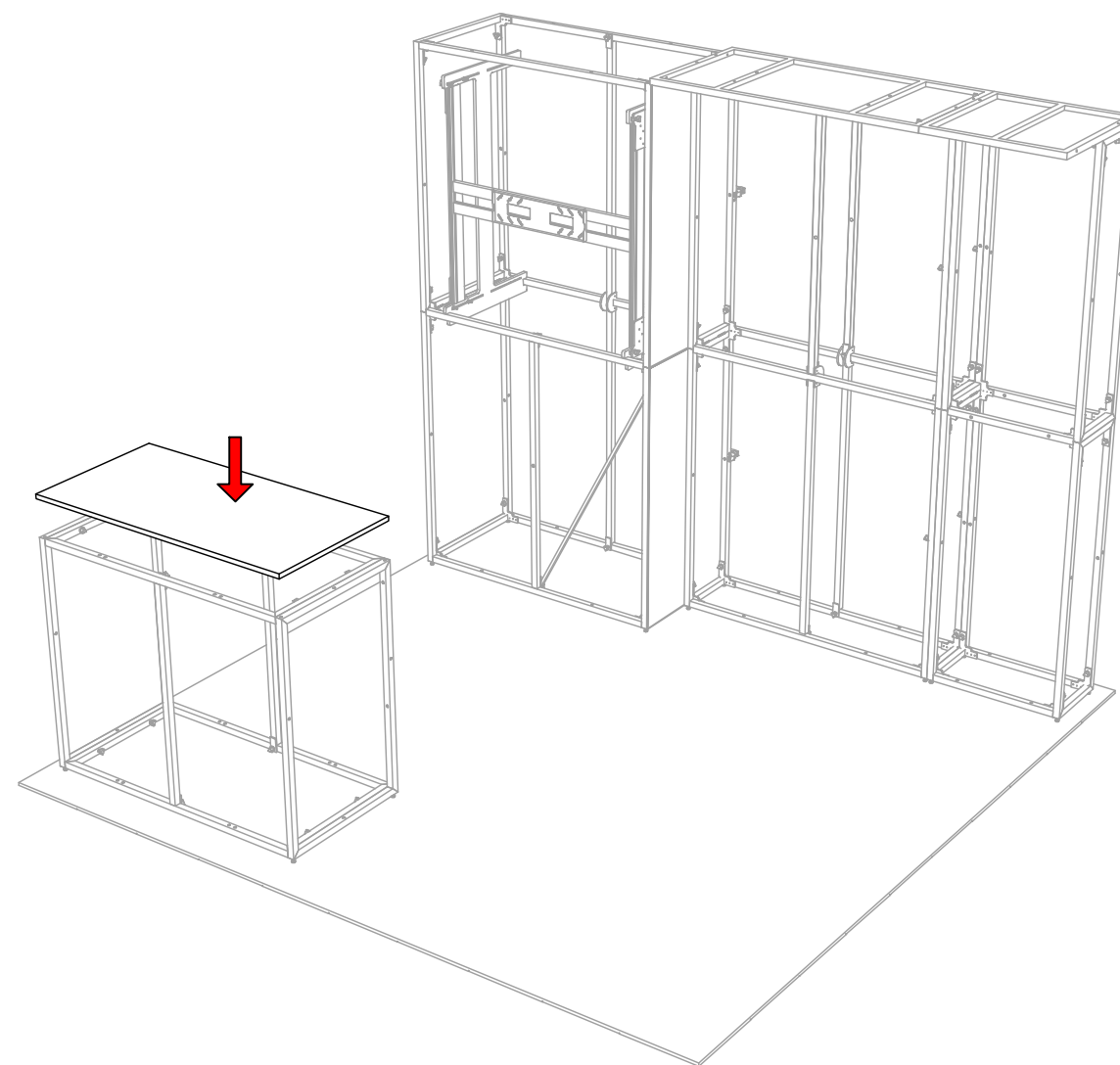
10 x 10 Custom MultiQuad[®]

ASSEMBLY INSTRUCTIONS:

PLACE **LABELED FRAME** IN FRONT CORNER OF FLOORSPACE AS SHOWN



PLACE **23 X 46 COUNTERTOP** ON TOP OF **LABELED FRAME** AS SHOWN



MultiQuad[®]
The Last Exhibit You'll Ever Buy

3401 Mary Taylor Road
Birmingham, Alabama 35235
(205) 439-8200

KIT #01

10 x 10 Custom MultiQuad[®]

ASSEMBLY INSTRUCTIONS:



MultiQuad®
The Last Exhibit You'll Ever Buy

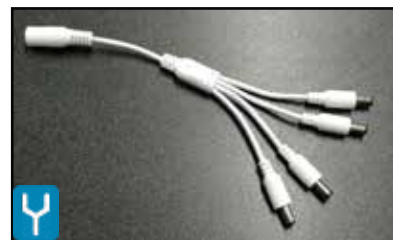
3401 Mary Taylor Road
Birmingham, Alabama 35235
(205) 439-8200

KIT #01

10 x 10 Custom MultiQuad®

■ Electrical Requirements

**ATTACH PUCKLIGHT TAILS
TO MULTIPLE ENDS OF SPLITTER**



4 - WAY WHITE DC SPLITTER
(PROVIDED)

**ATTACH DC ADAPTER
TO SINGLE END OF SPLITTER**








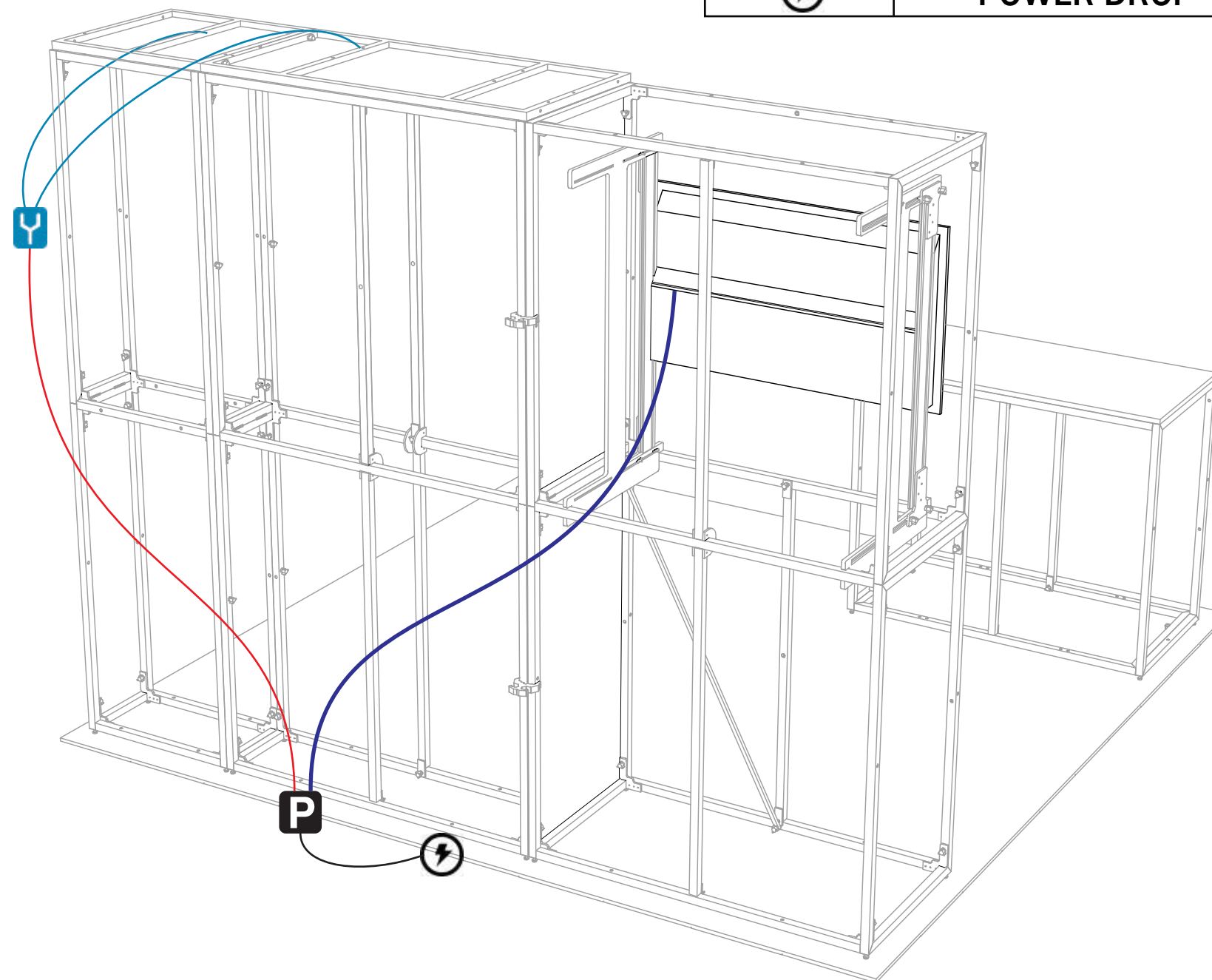
POWER ADAPTER
(PROVIDED)

**CONNECT ALL POWER PLUGS
TO MULTIPLE ENDS OF POWER "SQUID"**



POWER "SQUID"
(PROVIDED)

	POWER ADAPTER CORD
	EXTENSION CORD
	TV POWER CORD
	POWER "SQUID"
	POWER DROP



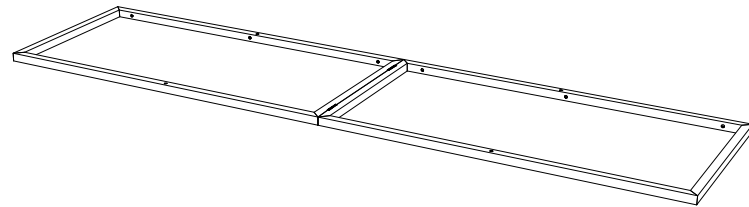
PARTS LIST		
QNTY	LABEL	NAME
1	LVHX	LEFT VERTICAL HINGED MAX
1	RVHX	RIGHT VERTICAL HINGED MAX
2	BH1	BOTTOM HORIZONTAL BAR
2	TH1	TOP HORIZONTAL BAR
2	MH1	MIDDLE HORIZONTAL BAR
1	CVH1	CENTER VERTICAL HINGED BAR
1	CVH2	CENTER VERTICAL HALF
20	GRN	1" GREEN THUMB SCREW
1	MQX-MM1	MAX MEDIA MOUNT
1	DIAGONAL	DIAGONAL CROSS BEAM

NOTE:

REFER TO APPENDIX J FOR BASIC MQX-F24 FRAME ASSEMBLY AND APPENDIX J7 FOR MAX MEDIA MOUNT ASSEMBLY

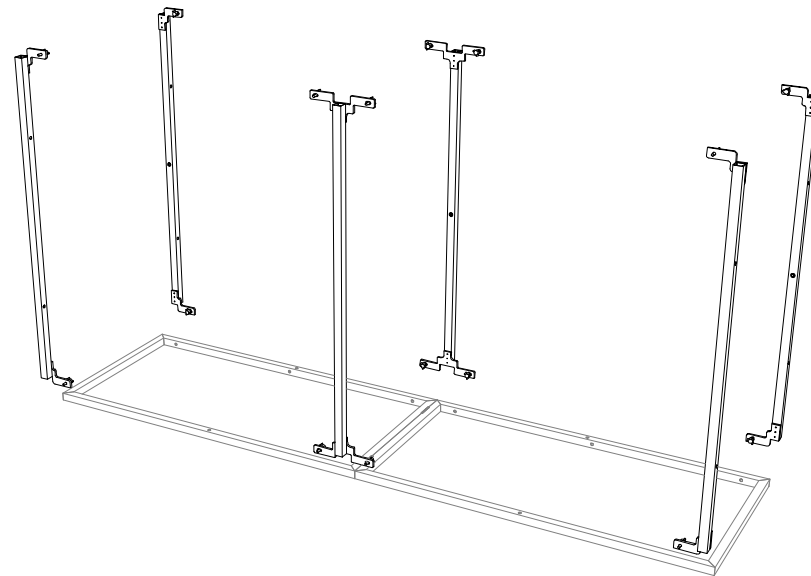
1st Step)

START WITH THE LEFT VERTICAL (LVHX) ON THE GROUND



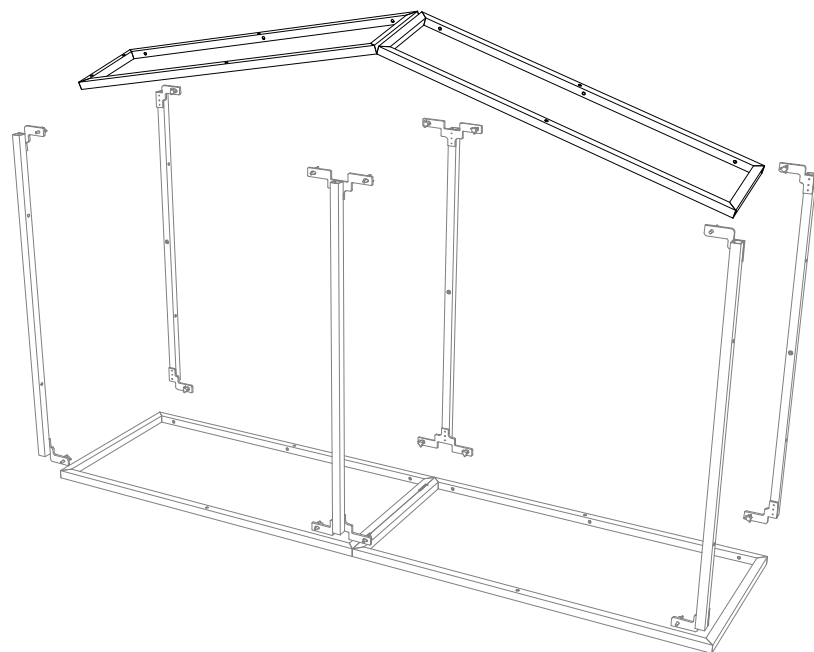
2nd Step)

ATTACH THE (2) TOP HORIZONTAL (TH1), THE (2) MIDDLE HORIZONTAL (MH1), AND THE (2) BOTTOM HORIZONTAL (BH1)



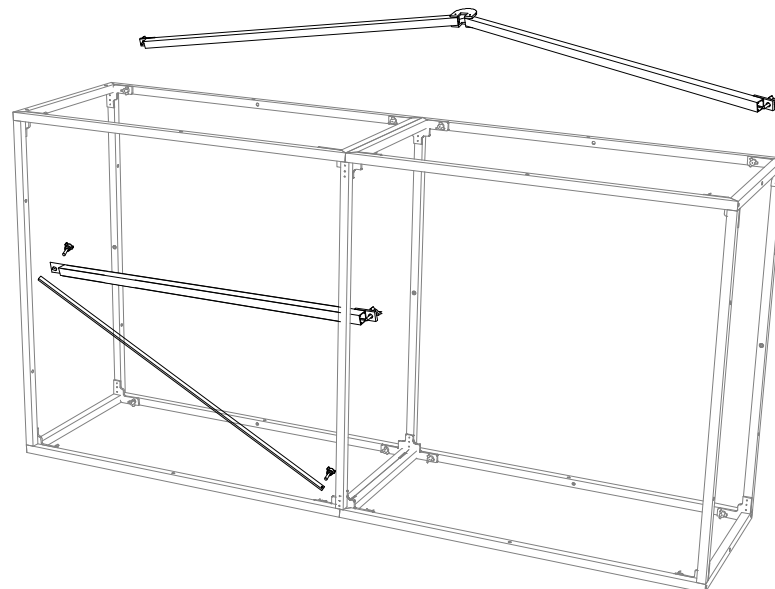
3rd Step)

ATTACH THE RIGHT HINGED SIDE (RVH1)

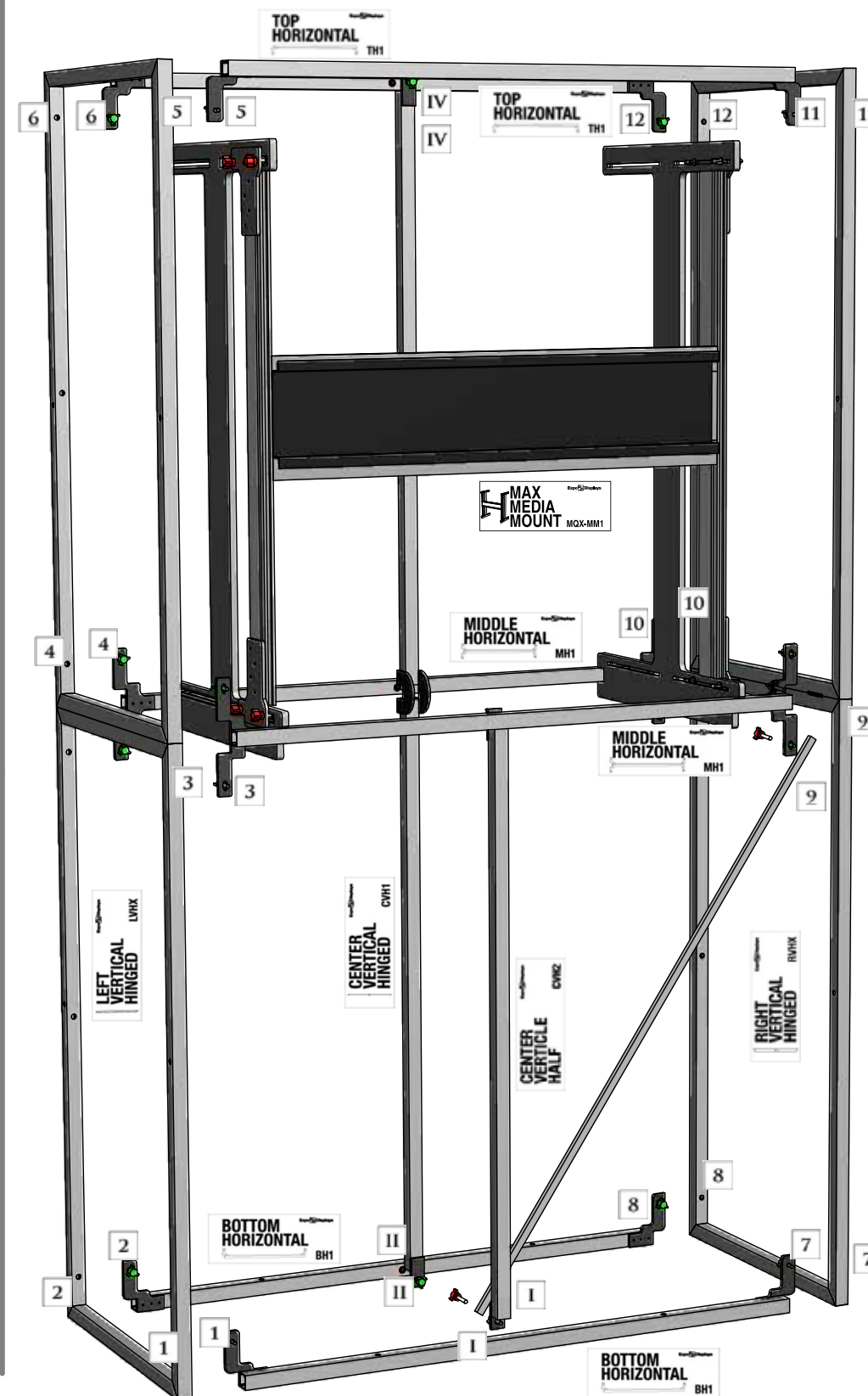


4th Step)

ATTACH THE (1) CENTER VERTICAL HINGED (CVH1) TO BACK OF FRAME, AND (1) CENTER VERTICAL (CVH2) AND (1) 48.5" DIAGONAL CROSS BEAM TO BOTTOM-FRONT OF FRAME, AND STAND UPRIGHT



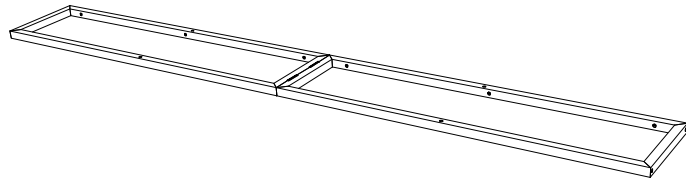
*MATCH NUMBERS TO CONSTRUCT



PARTS LIST		
QNTY	LABEL	NAME
1	LVH1	LEFT VERTICAL HINGED
1	RVH1	RIGHT VERTICAL HINGED
2	BH1	BOTTOM HORIZONTAL
2	MH1	MIDDLE HORIZONTAL
2	TH1	TOP HORIZONTAL
2	CVH1	CENTER VERTICAL HINGED
20	GRN	1" GREEN THUMB SCREW
4	RED	2" RED THUMB SCREW

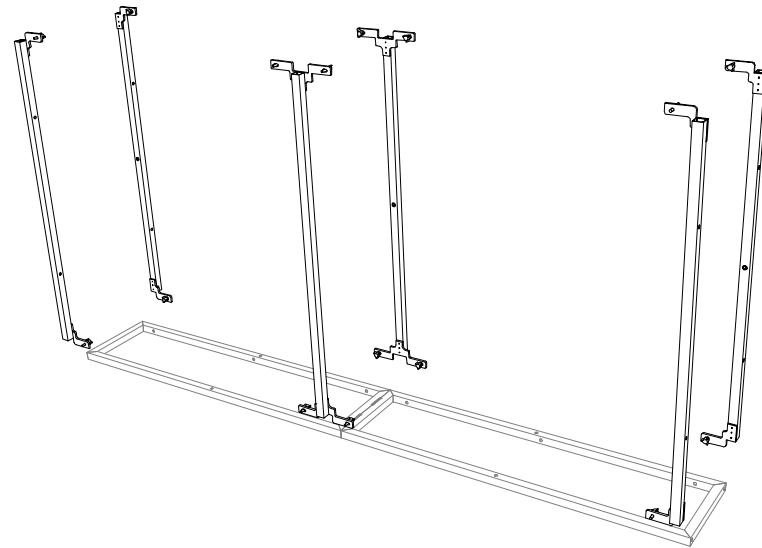
1st Step)

START WITH THE LEFT VERTICAL HINGED (LVH1) ON THE GROUND



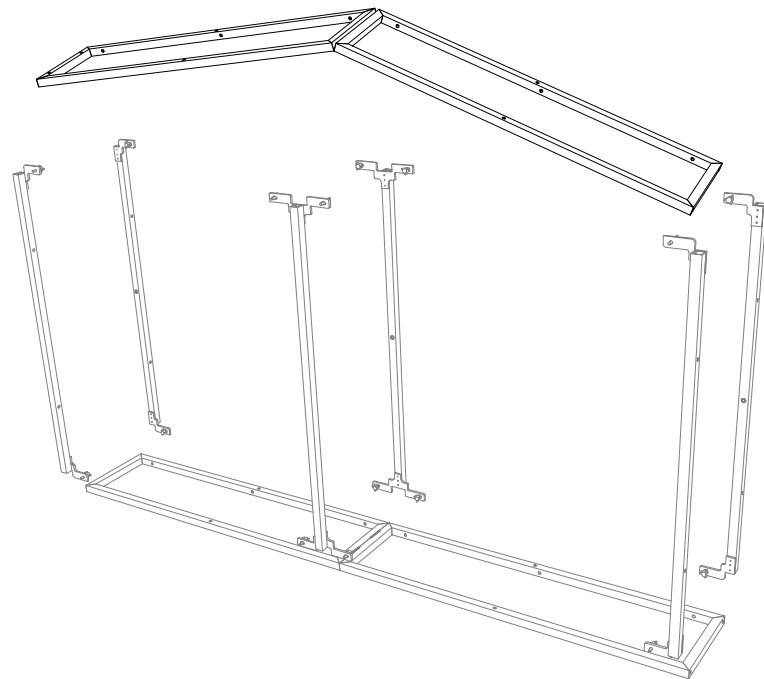
2nd Step)

ATTACH THE (2) TOP HORIZONTAL (TH1), THE (2) MIDDLE HORIZONTAL (MH1), AND THE (2) BOTTOM HORIZONTAL (BH1)



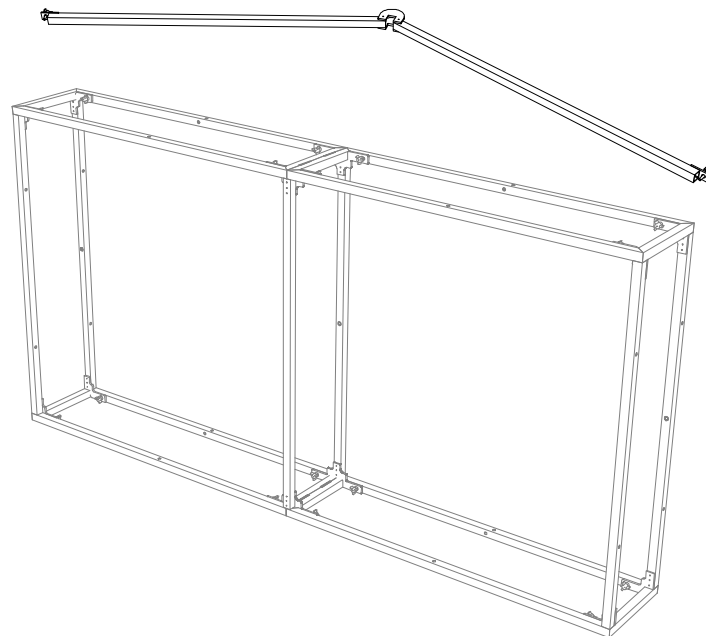
3rd Step)

ATTACH THE RIGHT HINGED SIDE (RVH1)

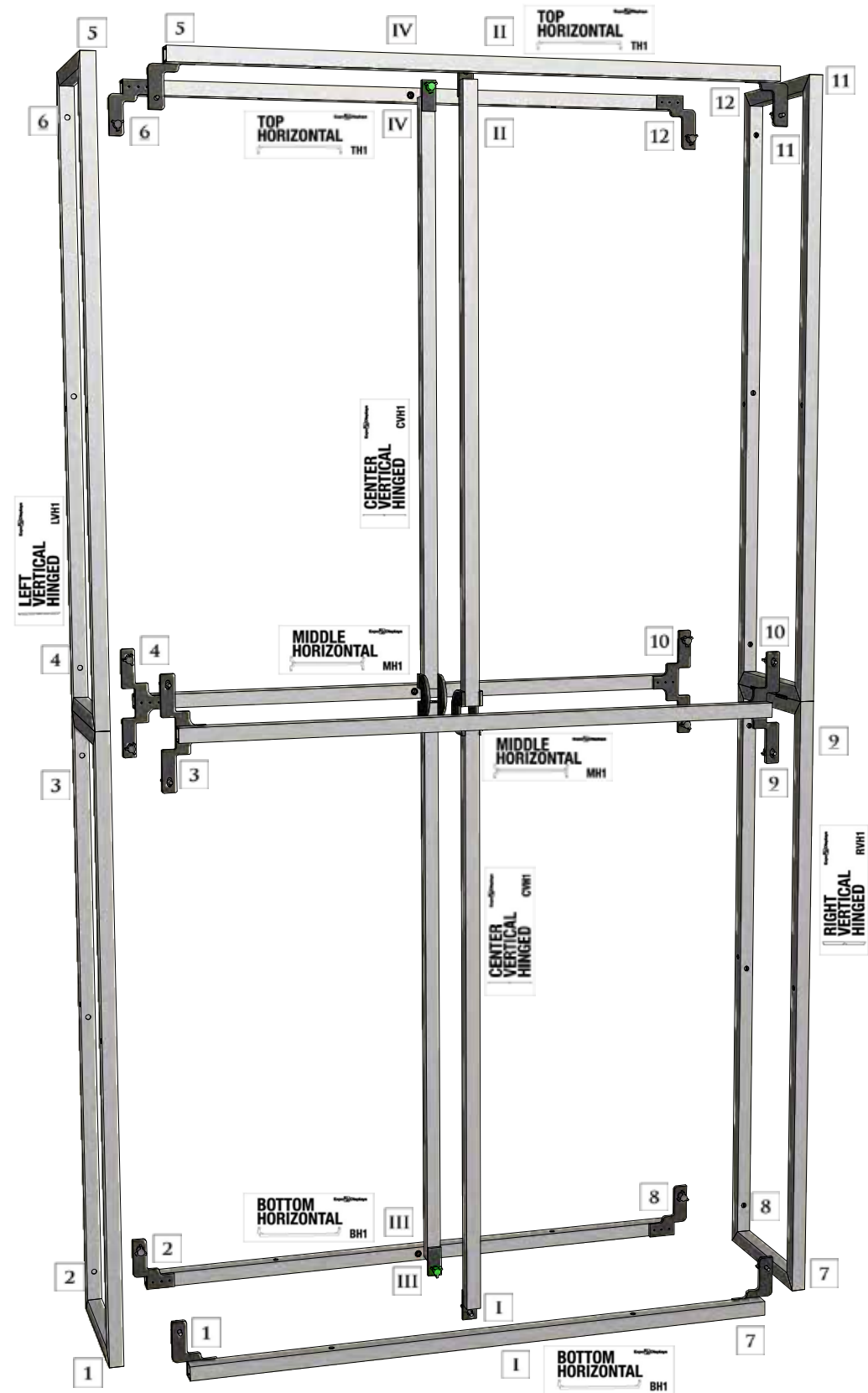


4th Step)

ATTACH THE (2) CENTER VERTICAL HINGED (CVH1) AND STAND UP-RIGHT



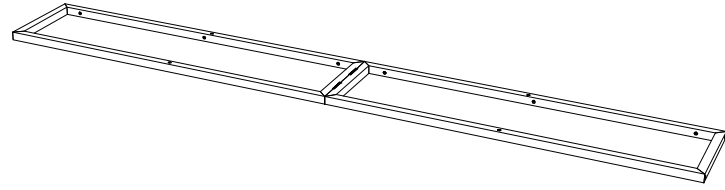
*MATCH NUMBERS TO CONSTRUCT



THIS PART USED TO MAKE
MQ-F24
2x4 STANDARD FRAME

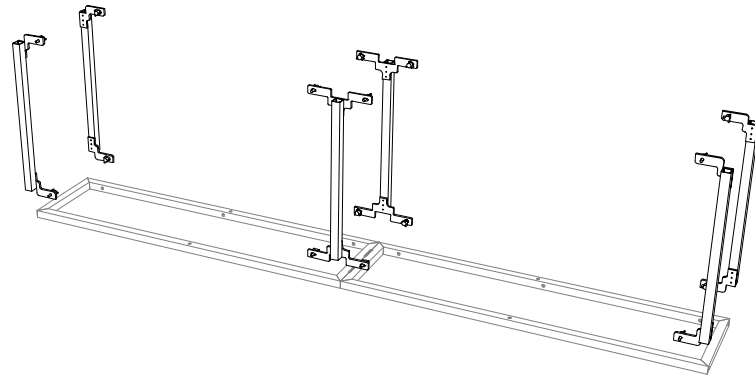
1st Step)

START WITH THE LEFT VERTICAL HINGED (LVH1) ON THE GROUND



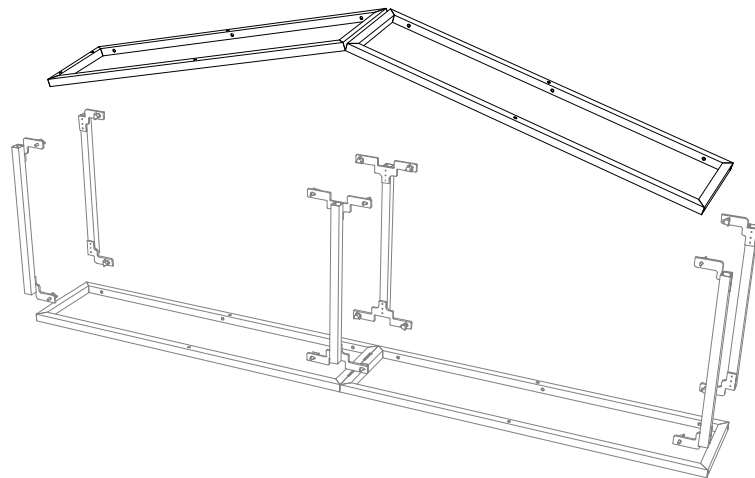
2nd Step)

ATTACH THE (2) TOP HORIZONTAL (TH2), THE (2) MIDDLE HORIZONTAL (MH2), AND THE (2) BOTTOM HORIZONTAL (BH2)



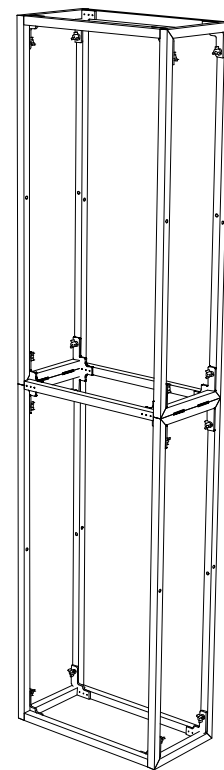
3rd Step)

ATTACH THE RIGHT HINGED SIDE (RVH1)



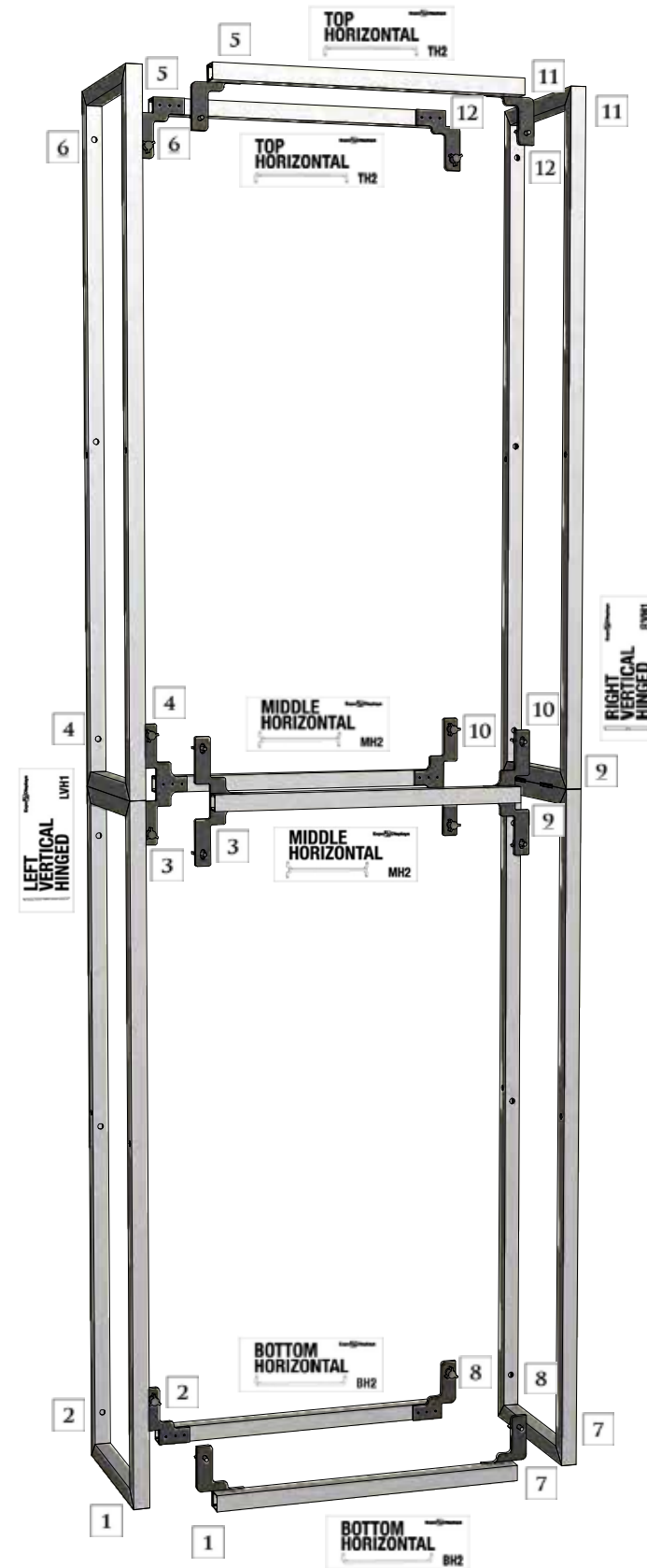
4th Step)

STAND UP-RIGHT



***MATCH NUMBERS TO CONSTRUCT**

PARTS LIST		
QNTY	LABEL	NAME
1	LVH1	LEFT VERTICAL HINGED
1	RVH1	RIGHT VERTICAL HINGED
2	BH2	BOTTOM HORIZONTAL
2	MH2	MIDDLE HORIZONTAL
2	TH2	TOP HORIZONTAL
16	GRN	1" GREEN THUMB SCREW
4	RED	2" RED THUMB SCREW

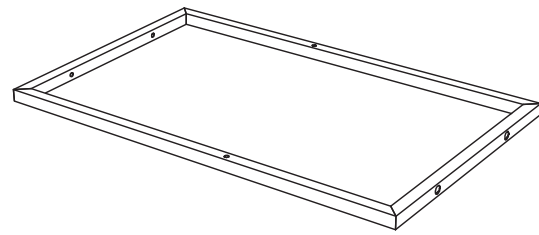


THIS PART USED TO MAKE
MQ-F14
 1x4 STANDARD FRAME

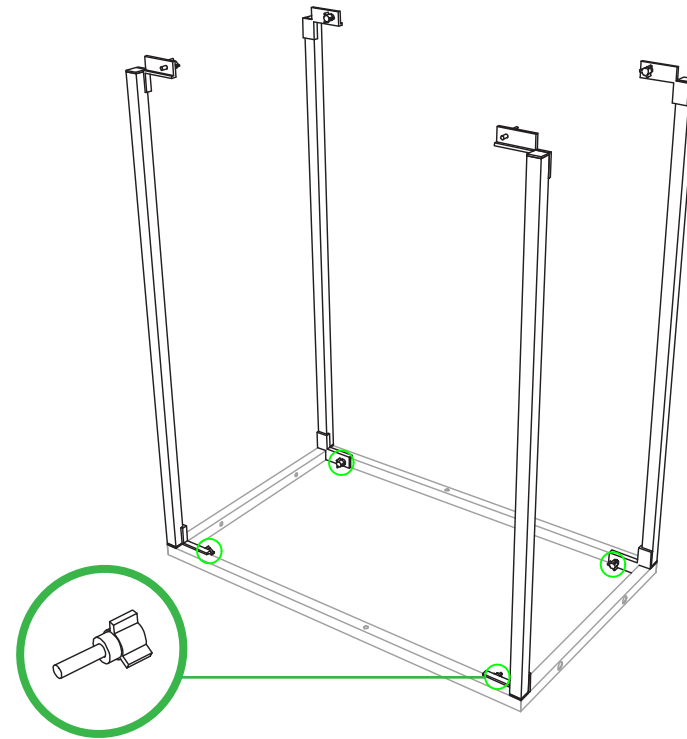
ASSEMBLY INSTRUCTIONS
 1x4 STANDARD FRAME
 MQ-F14

MQX-F22 PODIUM FRAME ASSEMBLY

START WITH THE LEFT VERTICAL (LVRX) ON THE GROUND



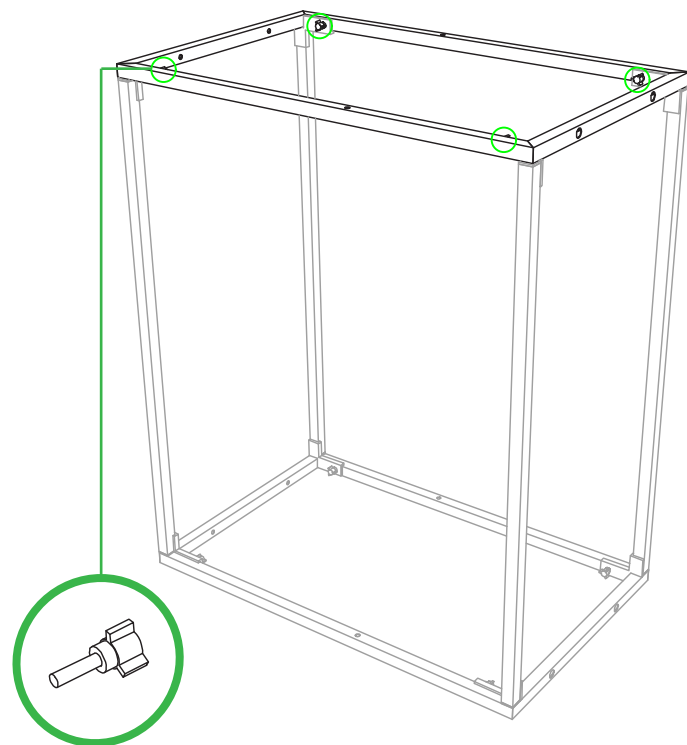
ATTACH (2) TOP HORIZONTAL (TH1) AND (2) BOTTOM HORIZONTAL (BH1) WITH GREEN THUMBSCREWS



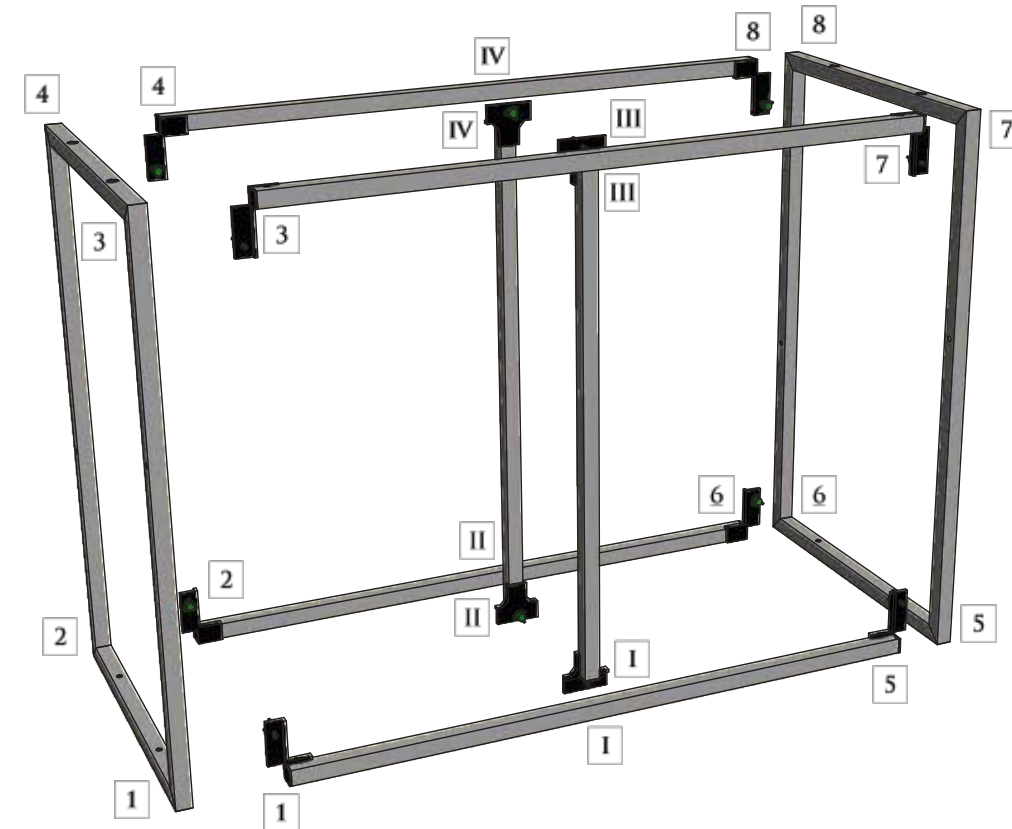
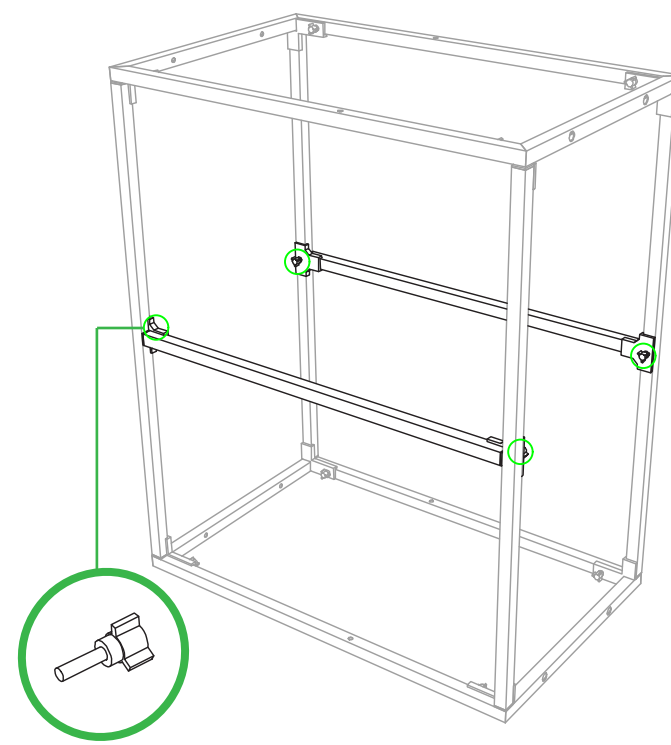
* MATCH NUMBERS SHOWN FOR ASSEMBLY

Parts List		
QTY	LABEL	NAME
1	LVRX	LEFT VERTICAL
2	TH1	TOP HORIZONTAL
2	BH1	BOTTOM HORIZONTAL
1	RVRX	RIGHT VERTICAL
2	CVH2	CENTER VERTICAL
12	GREEN	GREEN THUMBSCREW

ATTACH RIGHT VERTICAL (RVRX) WITH GREEN THUMBSCREWS



ATTACH (2) CENTER VERTICAL (CVH2) WITH GREEN THUMBSCREWS



PARTS LIST:

#	LABEL	NAME
1	MQ-LM4QD	MAX MEDIA MOUNT

1st Step)

THIS SET OF ASSEMBLY INSTRUCTIONS FOCUSES ON THE SINGLE - SIDED MOUNT (MQ-LM4QD). THE SAME PROCEDURES APPLY WHEN SETTING UP THE DOUBLE SIDED (MQ-LM4Q) AND THE DOUBLE SIDED CONVERSION KIT (MQ-LM4QC)



MQ-LM4Q
SINGLE SIDED
MEDIA MOUNT



MQ-LM4QC
DOUBLE SIDED
CONVERSION
KIT



2nd Step)

AN M10 HEX KEY WILL BE INCLUDED WITH THE MOUNT THAT WILL BE USED TO FASTEN THE EXTRUSIONS TOGETHER.



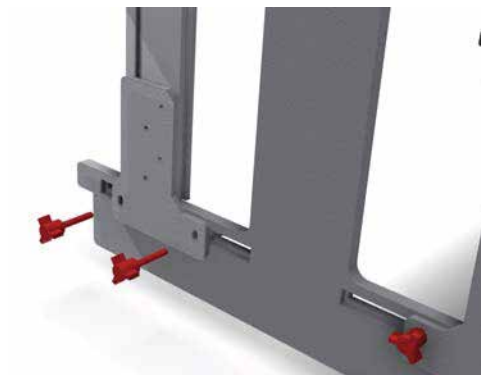
M10 HEX KEY

THE CIRCLES REPRESENT THE EXTRUSION LOCKS.

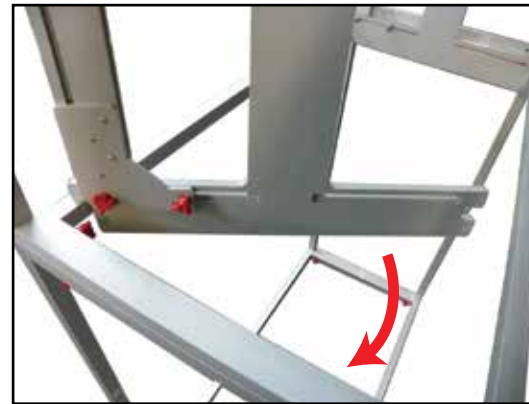
TIGHTEN THE LOCKS USING THE HEX KEY BY TURNING IT CLOCKWISE UNTIL THE MECHANISM LOCKS INSIDE THE CHANNEL.



USE THE M10 HEX KEY TO TIGHTEN THE LOCKS THAT ATTACH THE VESA TV MOUNT TO THE ARMS.



ATTACH THE ASSEMBLED ARMS TO THE "I" SHAPED CENTER VERTICAL SUPPORT USING THE PROVIDED RED THUMBSCREWS AND WING NUTS.



4th Step)

LINE THE MONITOR'S CENTER WITHIN THE CENTER OF THE FRAME. THEN GENTLY HOOK THE UNIT'S BACK ONTO THE FRAME



THE "I" SHAPED CENTER HOOKS ON TO THE BACK OF THE MQXF24 FRAME.

NOTE: EXPODISPLAY'S® WILL OFTEN ADD ARROWS ON THE EXTRUSIONS TO INDICATE THE IDEAL LOCATION OF THE MONITORS. SIMPLY CONNECT THE ARROWS.



5th Step)

CHECK TO MAKE SURE MONITOR BRACKET IS LEVEL USING BUBBLE INDICATOR ON FRONT



MultiQuad®
The Last Exhibit You'll Ever Buy

3401 Mary Taylor Road
Birmingham, Alabama 35235
(205) 439-8200

Drawn By: JW



Sheet Title

**ASSEMBLY
INSTRUCTIONS
SINGLE - SIDED
MAX MEDIA MOUNT**

APPENDIX J7