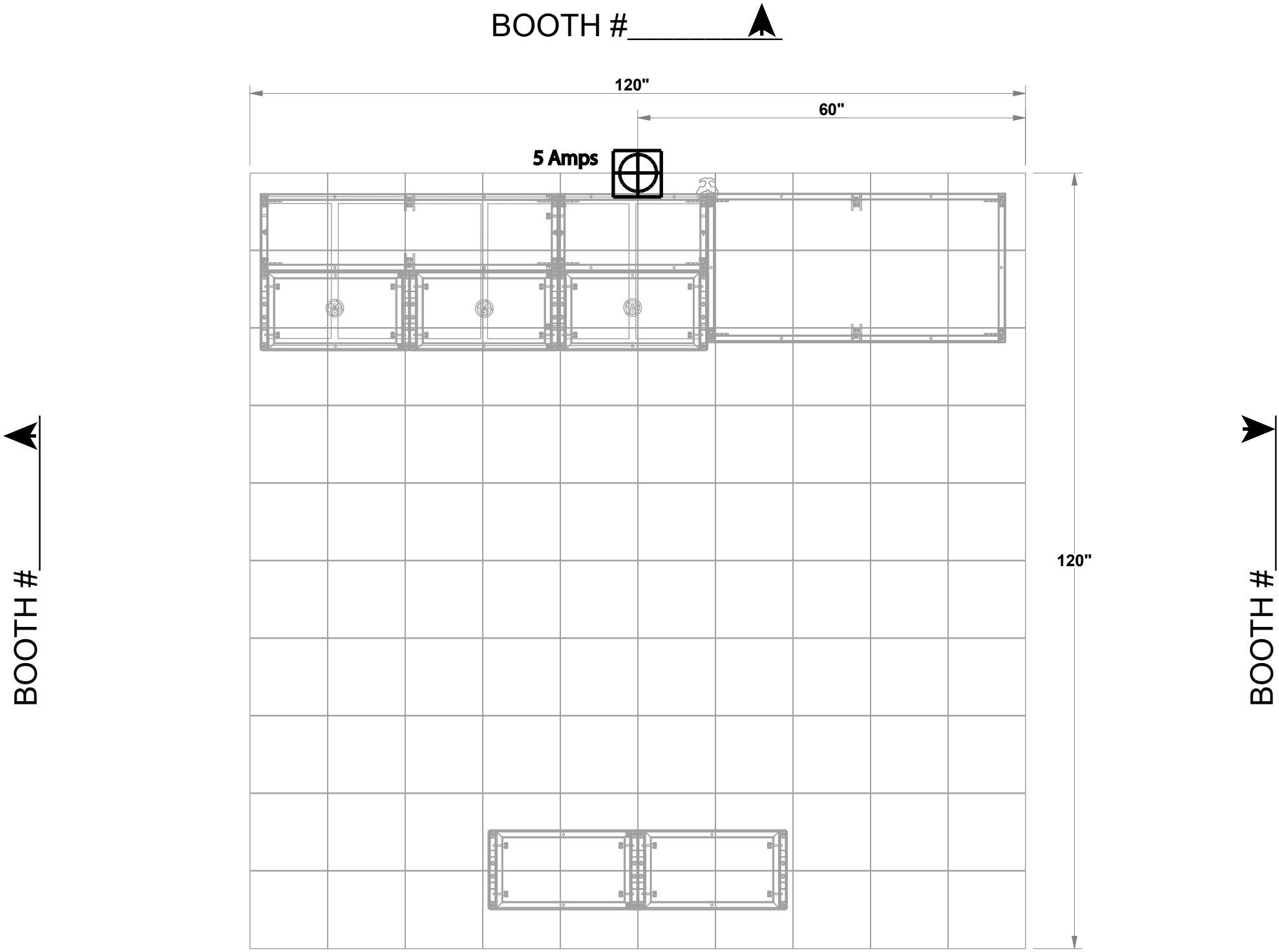


# ASSEMBLY INSTRUCTIONS:

■ *Electrical Plan*



BOOTH # \_\_\_\_\_ ▲

120"

60"

5 Amps

120"

BOOTH # \_\_\_\_\_ ▲

BOOTH # \_\_\_\_\_ ▼

TOP VIEW

BOOTH # \_\_\_\_\_ ▼

	MAIN ELECTRICAL DROP
	ADDITIONAL ELECTRICAL OUTLET



**MultiQuad**<sup>®</sup>  
The Last Exhibit You'll Ever Buy

3401 Mary Taylor Road  
Birmingham, Alabama 35235  
(205) 439-8200

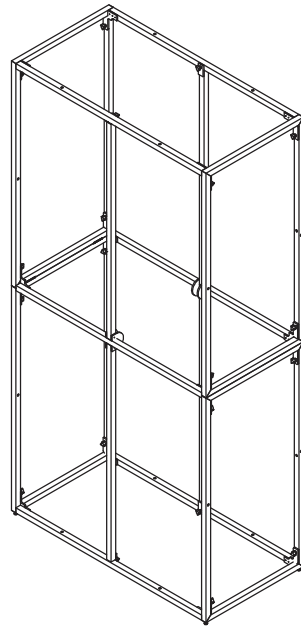
**KIT #04**

10 x 10 Custom MultiQuad<sup>®</sup>

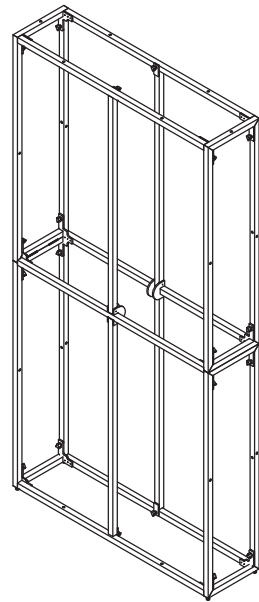
# ASSEMBLY INSTRUCTIONS:

\* NO TOOLS REQUIRED TO ASSEMBLE

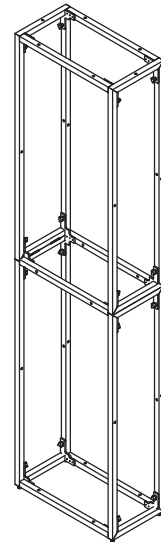
\* ASSEMBLE EACH BOXED FRAME INDIVIDUALLY THEN JOIN AS SHOWN IN THE FOLLOWING PAGES:



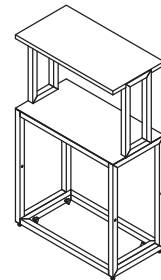
MAX FRAME  
(SEE APPENDIX J)



STANDARD FRAME  
(SEE APPENDIX B)



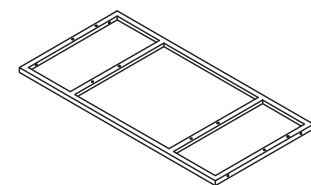
STANDARD FRAME  
(SEE APPENDIX D)



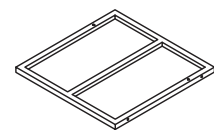
STANDARD PODIUM  
(SEE APPENDIX F)



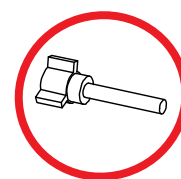
**X 5**



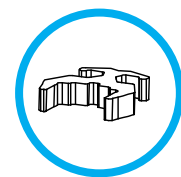
**23 X 46 CANOPY**



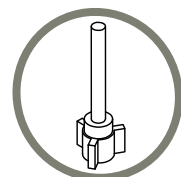
**23 X 23 CANOPY**



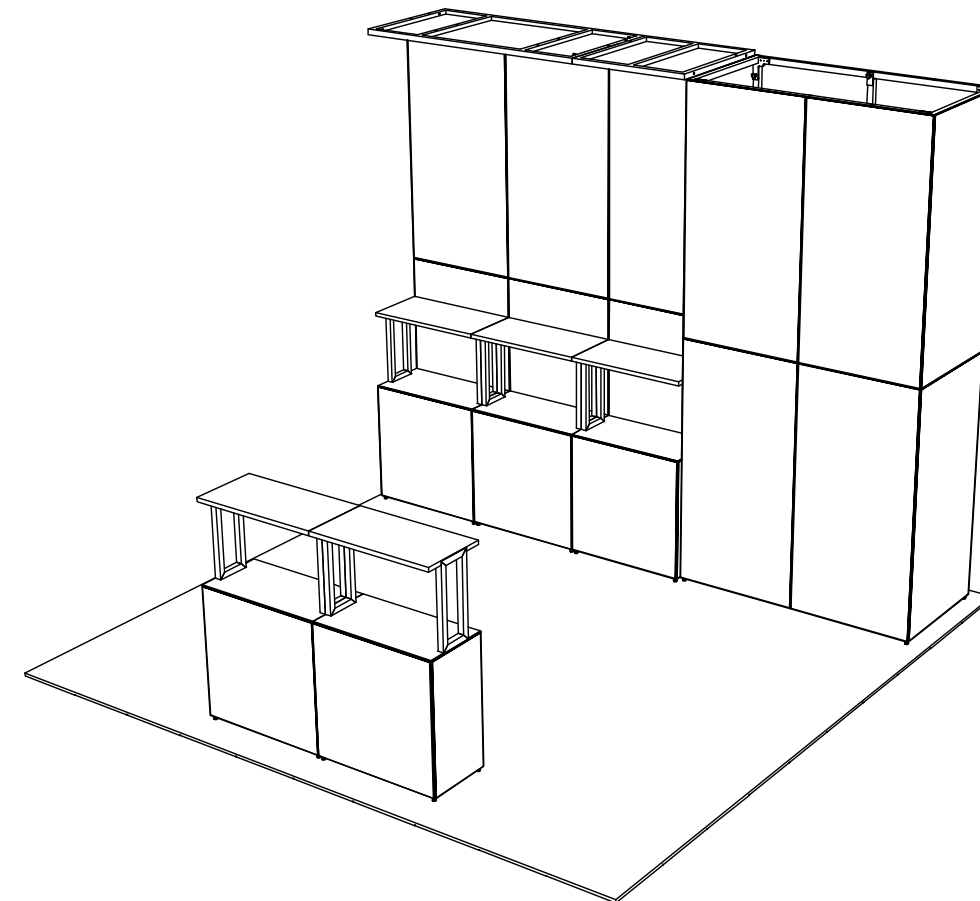
**RED THUMBSCREWS**



**PRESSURE CLAMPS**



**BLACK THUMBSCREWS**



**MultiQuad**<sup>®</sup>  
The Last Exhibit You'll Ever Buy

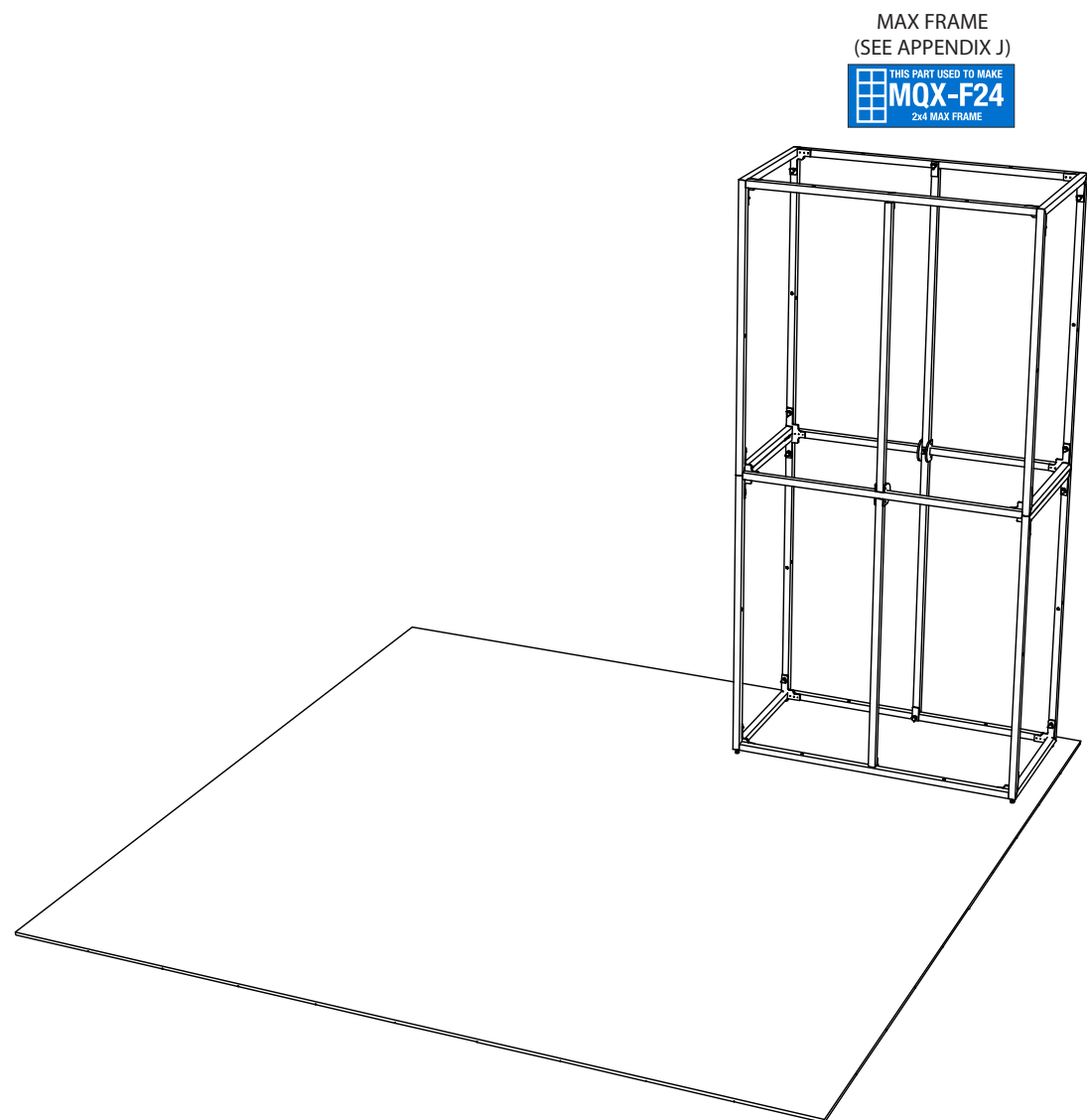
3401 Mary Taylor Road  
Birmingham, Alabama 35235  
(205) 439-8200

**KIT #04**

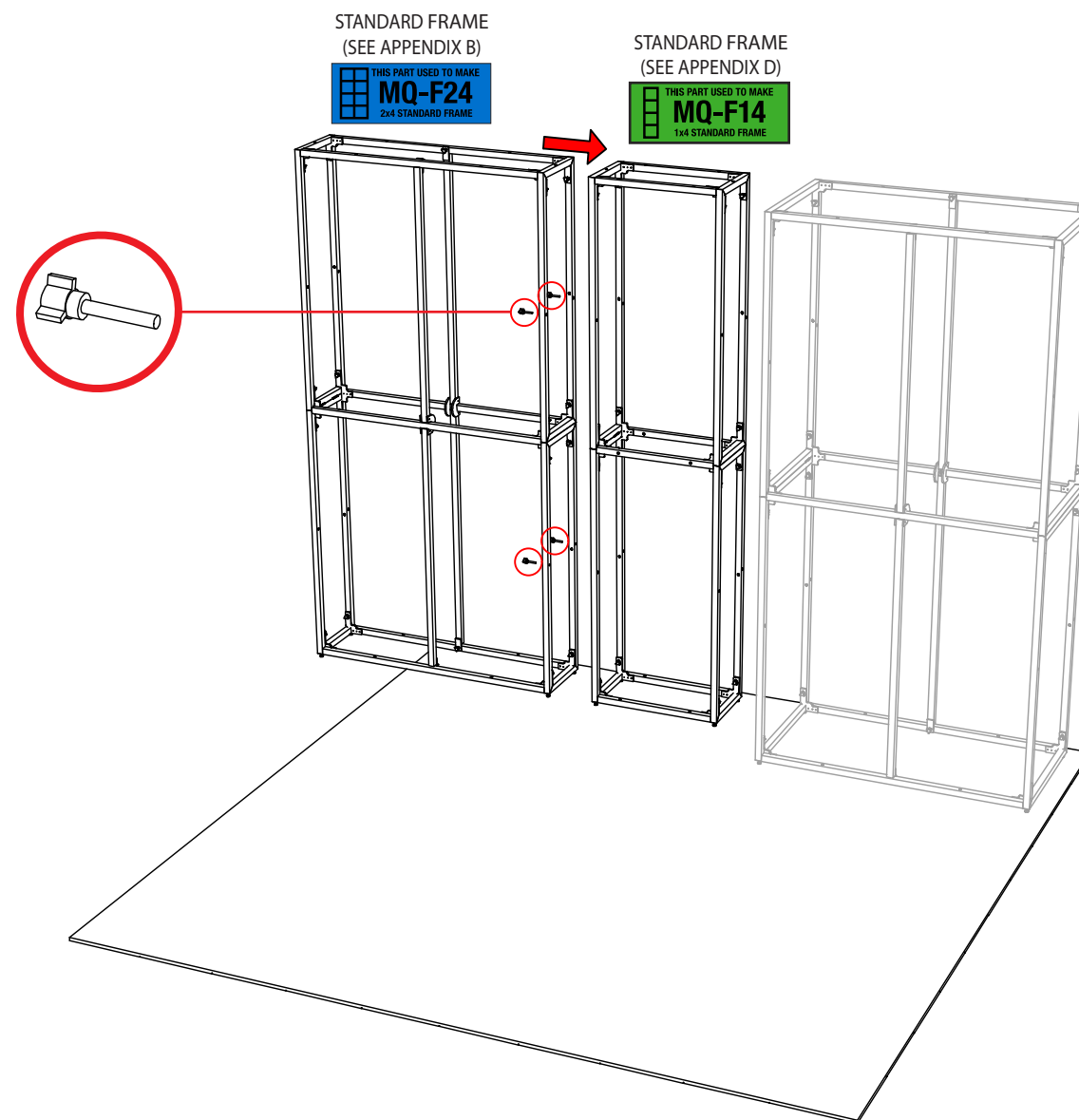
**10 x 10 Custom MultiQuad**<sup>®</sup>

# ASSEMBLY INSTRUCTIONS:

PLACE **LABELED FRAME** IN RIGHT CORNER OF FLOORSPACE AS SHOWN



JOIN ( 2 ) **LABELED FRAMES** WITH ( 4 ) **RED THUMBSCREWS** IN DIRECTION SHOWN



**MultiQuad**<sup>®</sup>  
The Last Exhibit You'll Ever Buy

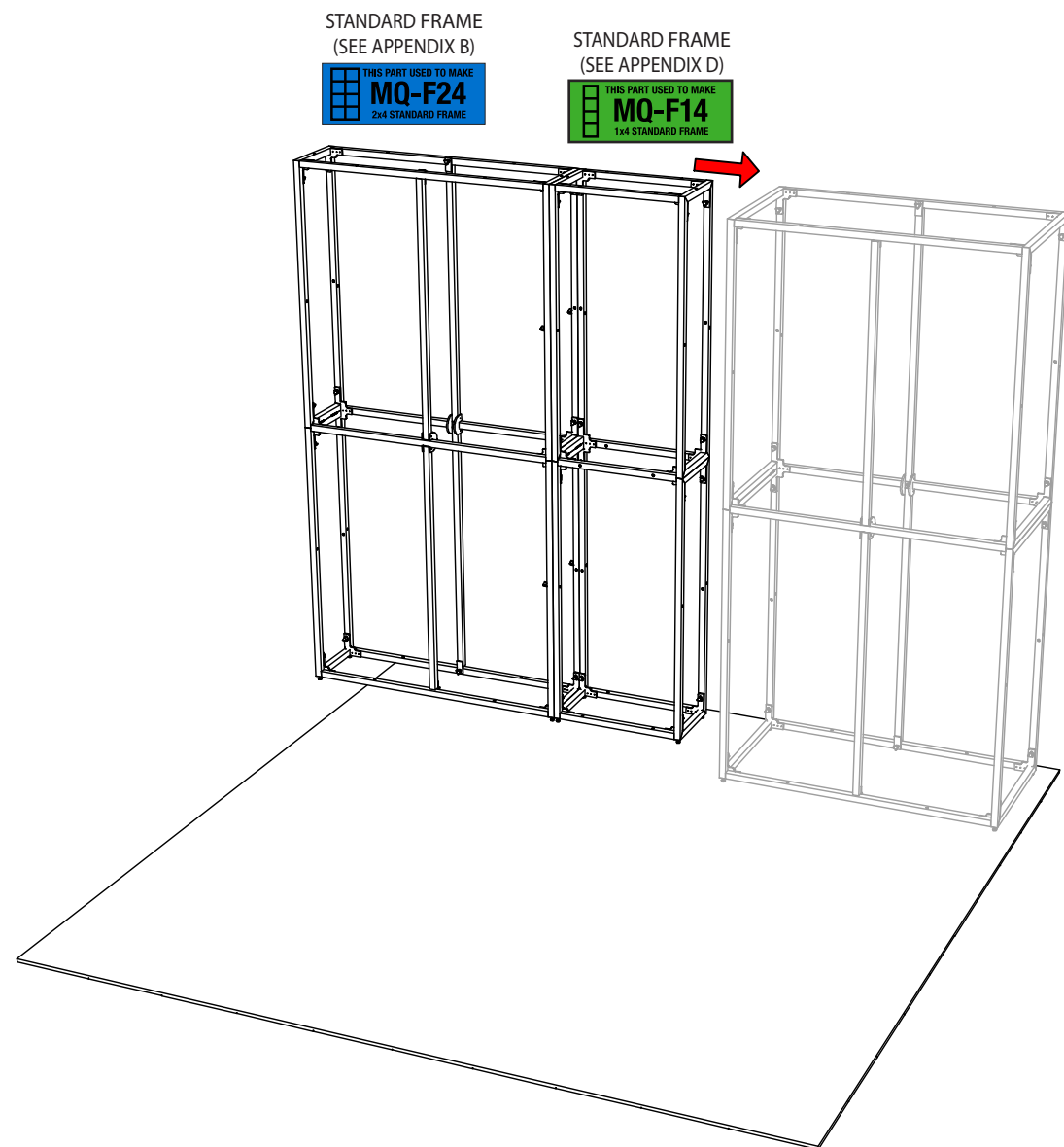
3401 Mary Taylor Road  
Birmingham, Alabama 35235  
(205) 439-8200

**KIT #04**

10 x 10 Custom MultiQuad<sup>®</sup>

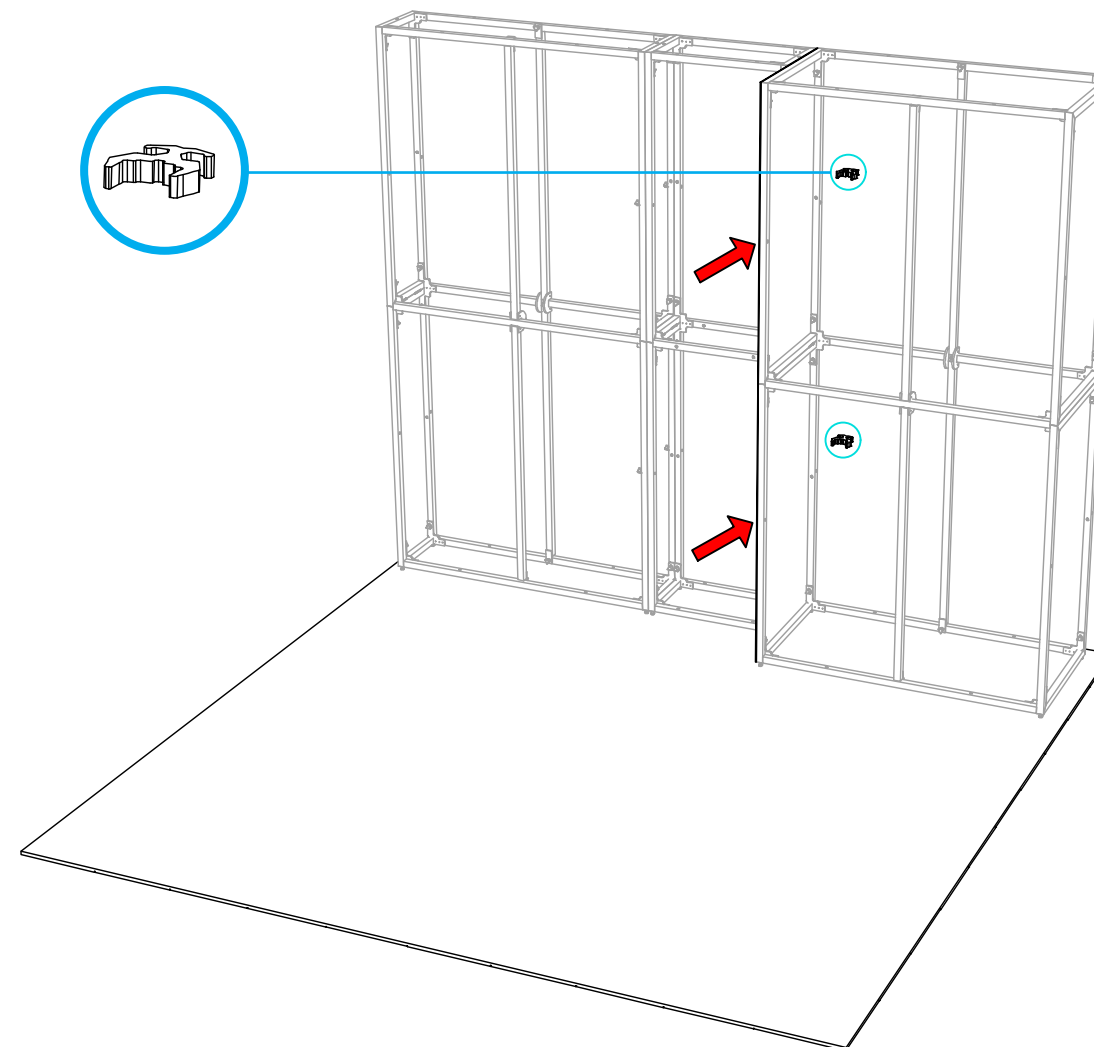
# ASSEMBLY INSTRUCTIONS:

PLACE **JOINED FRAMES** AGAINST  
SIDE OF **MAIN TOWER** IN DIRECTION SHOWN



PLACE ( **2** ) **DOUBLE QUADS** ON  
LEFT SIDE OF **MAIN TOWER** AS SHOWN

THEN ATTACH ( **2** ) **PRESSURE CLAMPS** WHERE  
**LABELED FRAMES** MEET IN BACK AS SHOWN



**MultiQuad**<sup>®</sup>  
The Last Exhibit You'll Ever Buy

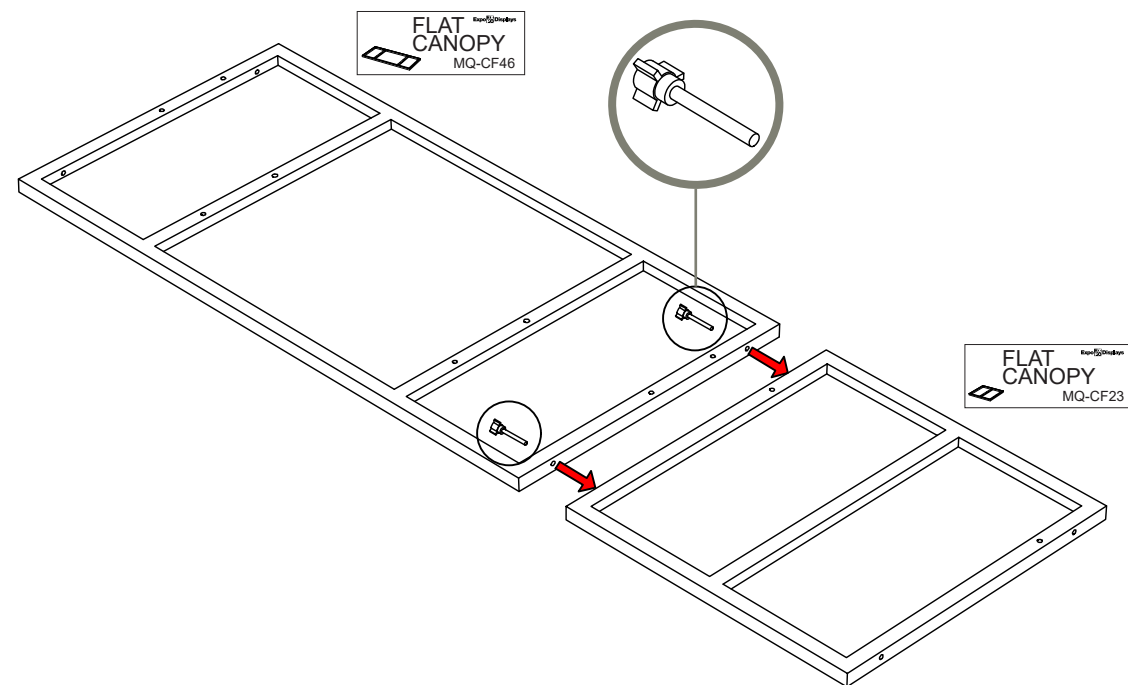
3401 Mary Taylor Road  
Birmingham, Alabama 35235  
(205) 439-8200

**KIT #04**

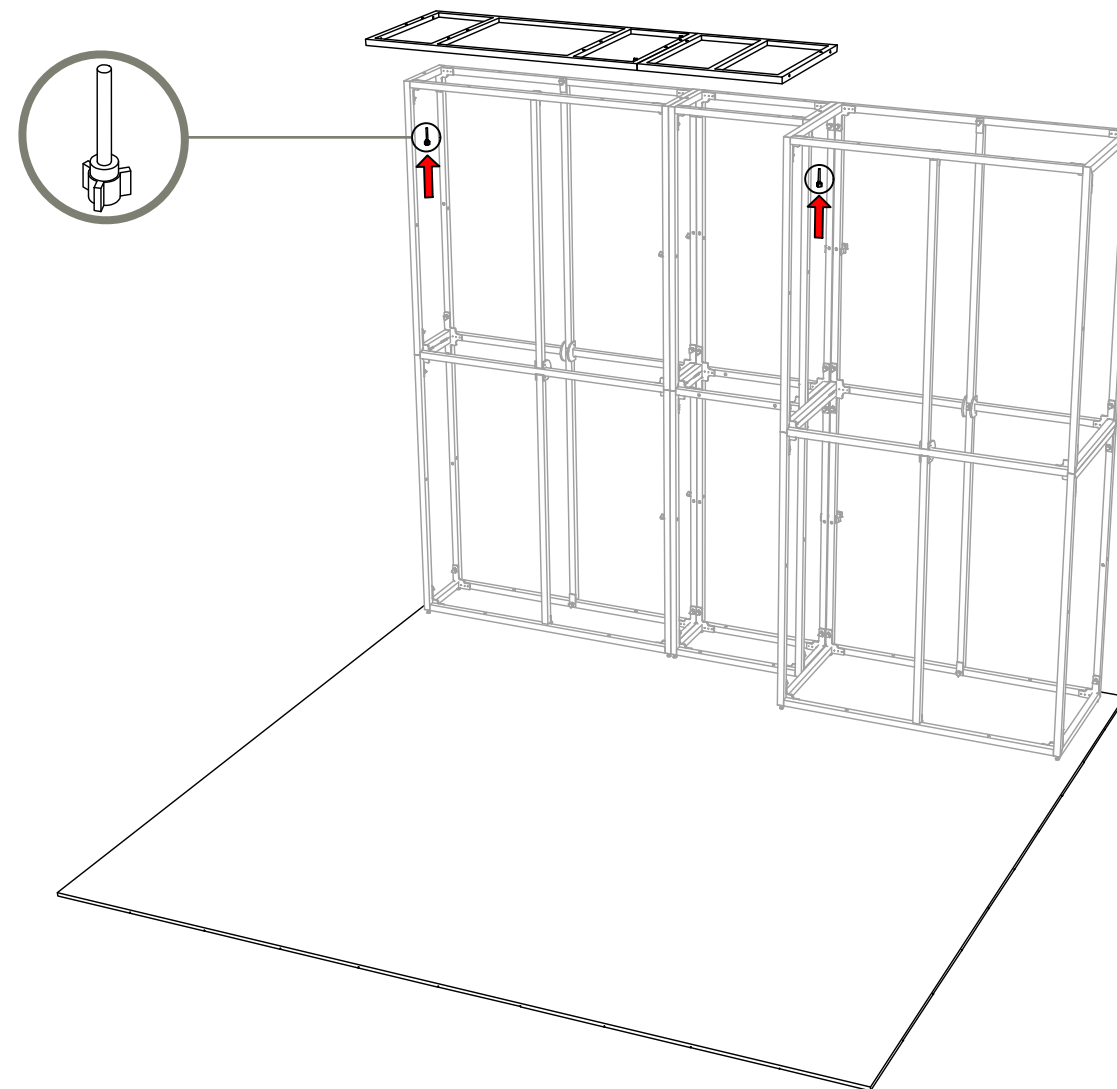
**10 x 10 Custom MultiQuad**<sup>®</sup>

# ASSEMBLY INSTRUCTIONS:

JOIN **23 X 46 CANOPY** & **23 X 23 CANOPY** WITH  
( **2** ) **BLACK THUMBSCREWS** IN DIRECTION SHOWN



JOIN **ASSEMBLED CANOPIES** WITH  
( **2** ) **BLACK THUMBSCREWS** ON TOP OF  
**MAIN WALL ASSEMBLY** IN DIRECTION SHOWN



**MultiQuad**<sup>®</sup>  
The Last Exhibit You'll Ever Buy

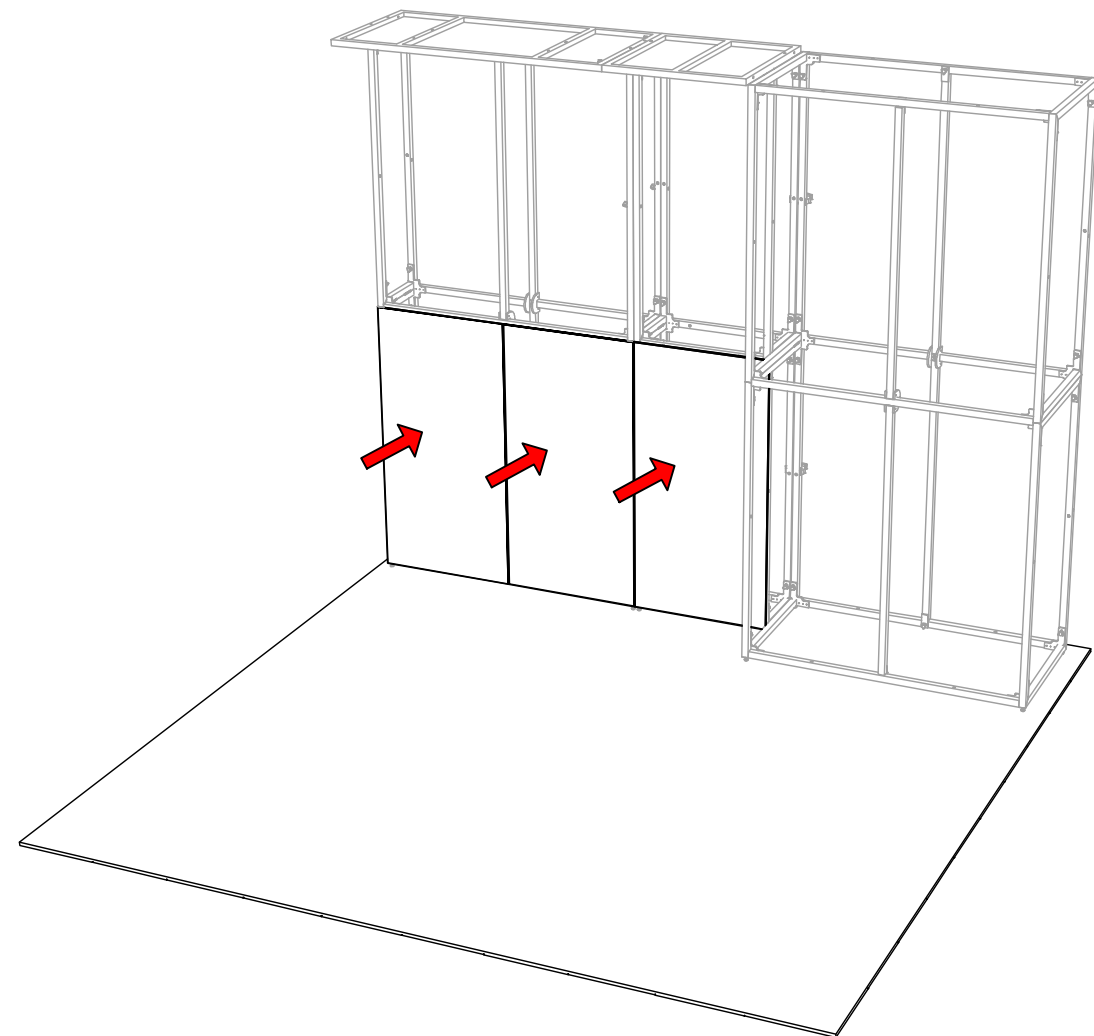
3401 Mary Taylor Road  
Birmingham, Alabama 35235  
(205) 439-8200

**KIT #04**

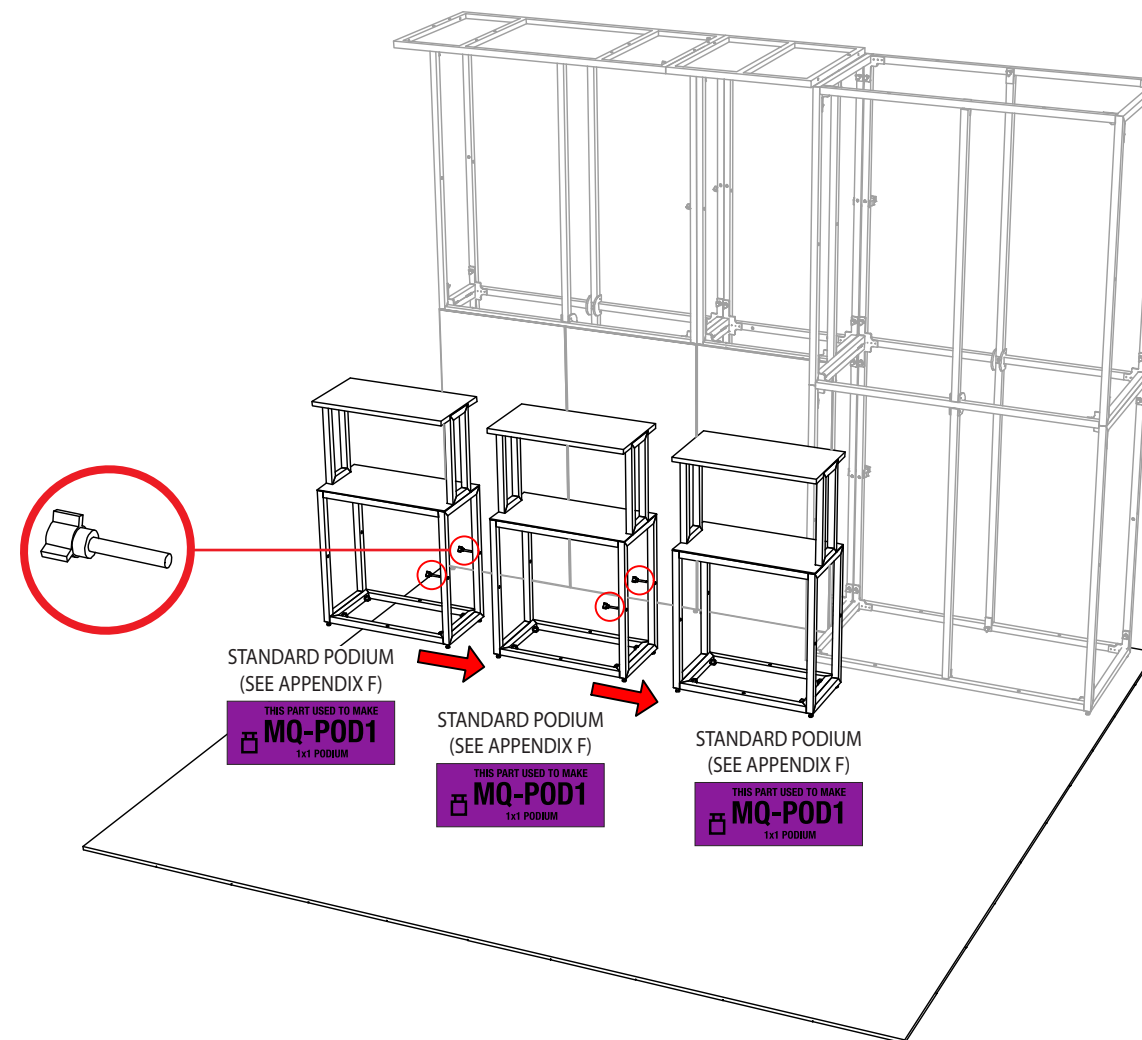
**10 x 10 Custom MultiQuad<sup>®</sup>**

# ASSEMBLY INSTRUCTIONS:

PLACE ( 3 ) **DOUBLE QUADS** ON LOWER LEFT SIDE OF **MAIN WALL** AS SHOWN



JOIN ( 3 ) **LABELED FRAMES** WITH ( 4 ) **RED THUMBSCREWS** IN DIRECTION SHOWN



**MultiQuad**<sup>®</sup>  
The Last Exhibit You'll Ever Buy

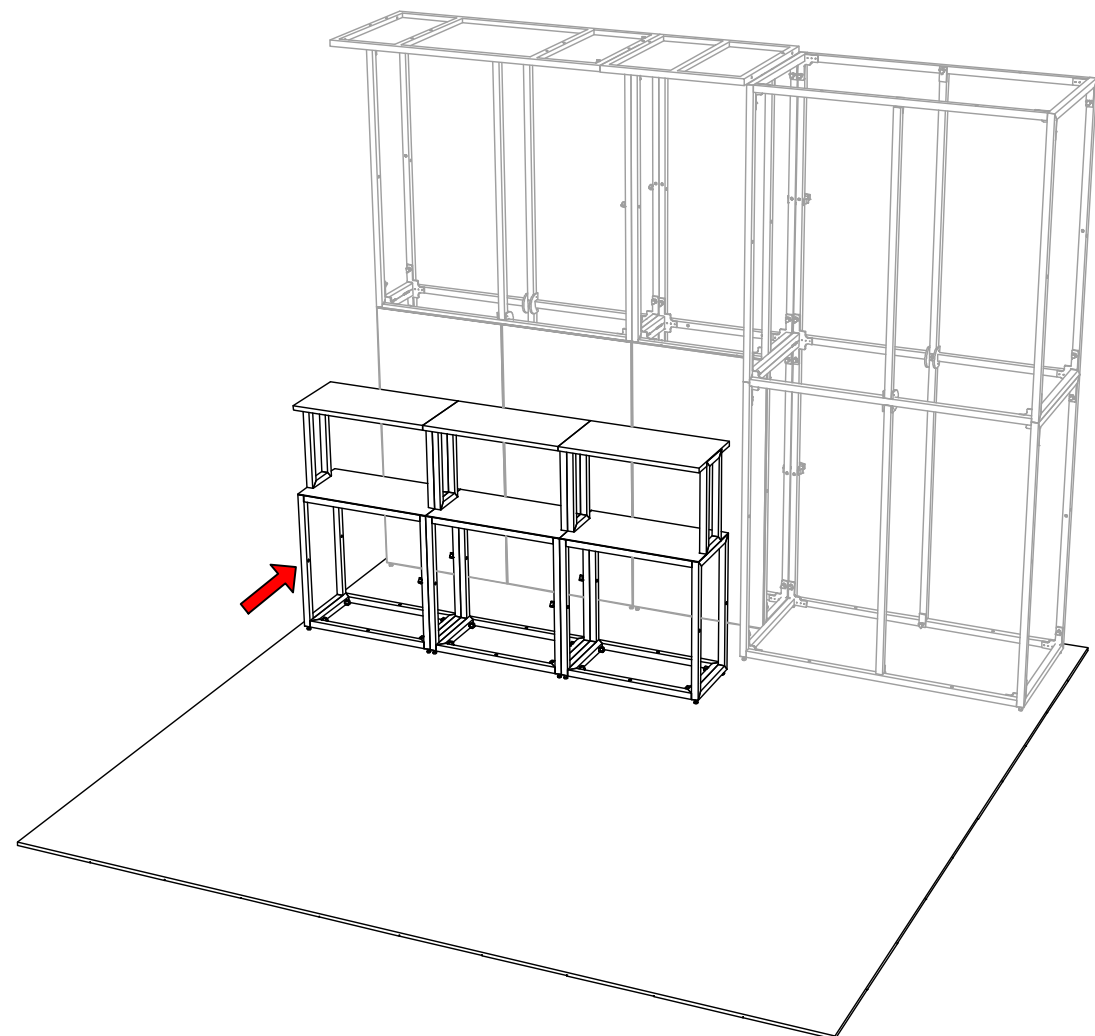
3401 Mary Taylor Road  
Birmingham, Alabama 35235  
(205) 439-8200

**KIT #04**

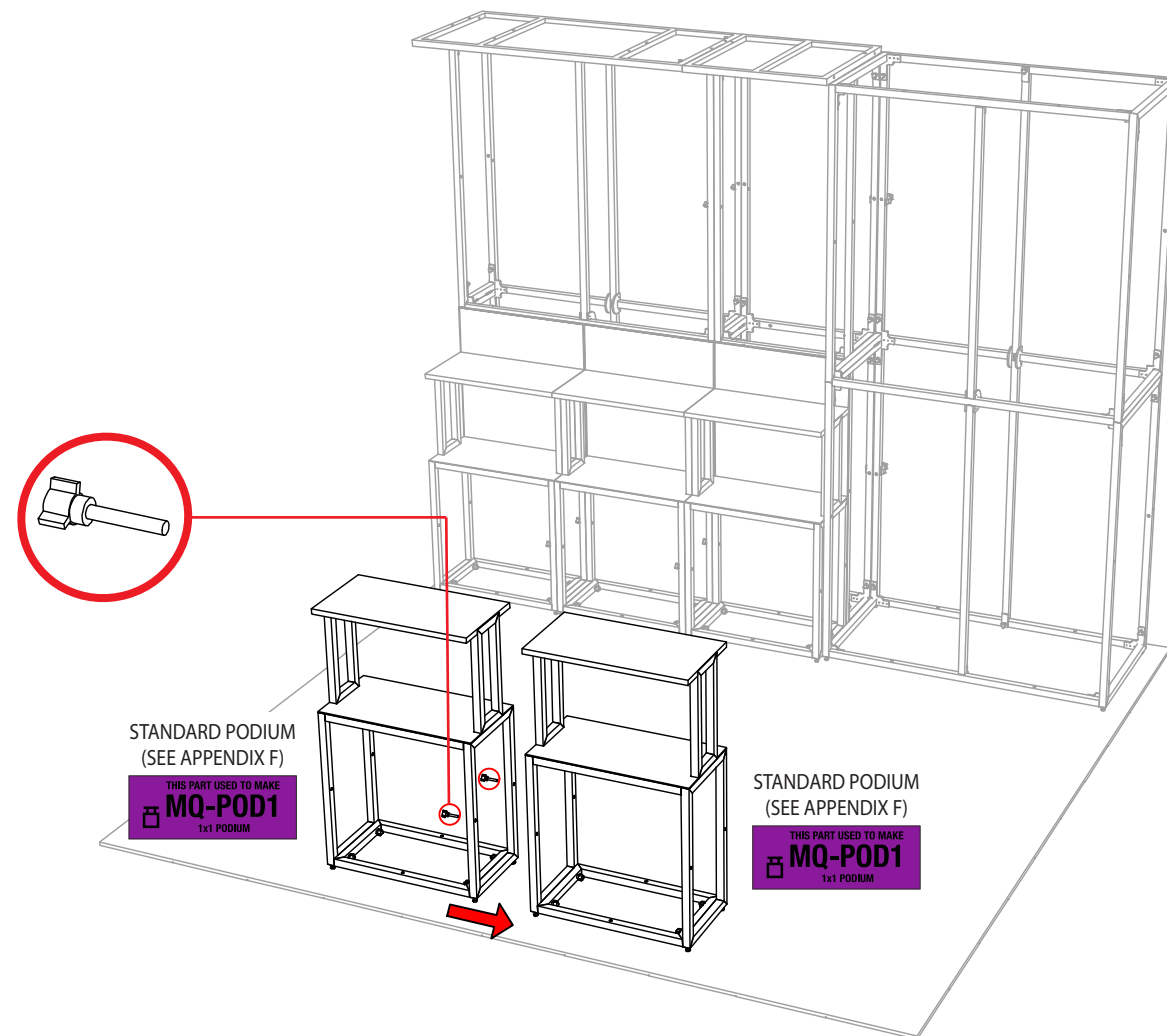
10 x 10 Custom MultiQuad<sup>®</sup>

# ASSEMBLY INSTRUCTIONS:

PLACE **JOINED FRAMES** AGAINST **MAIN WALL** IN DIRECTION SHOWN



JOIN ( **2** ) **LABELED FRAMES** WITH ( **2** ) **RED THUMBSCREWS** IN DIRECTION SHOWN



**MultiQuad**<sup>®</sup>  
The Last Exhibit You'll Ever Buy

3401 Mary Taylor Road  
Birmingham, Alabama 35235  
(205) 439-8200

**KIT #04**

10 x 10 Custom MultiQuad<sup>®</sup>



# ASSEMBLY INSTRUCTIONS:



**MultiQuad®**  
The Last Exhibit You'll Ever Buy

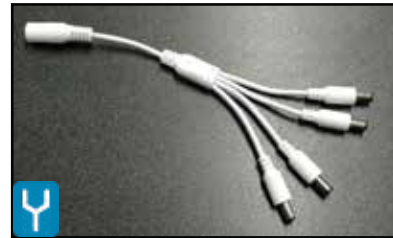
3401 Mary Taylor Road  
Birmingham, Alabama 35235  
(205) 439-8200

**KIT #04**

10 x 10 Custom MultiQuad®

## ■ Electrical Requirements

**ATTACH PUCKLIGHT TAILS  
TO MULTIPLE ENDS OF SPLITTER**



4 - WAY WHITE DC SPLITTER  
( PROVIDED )

**ATTACH DC ADAPTER  
TO SINGLE END OF SPLITTER**



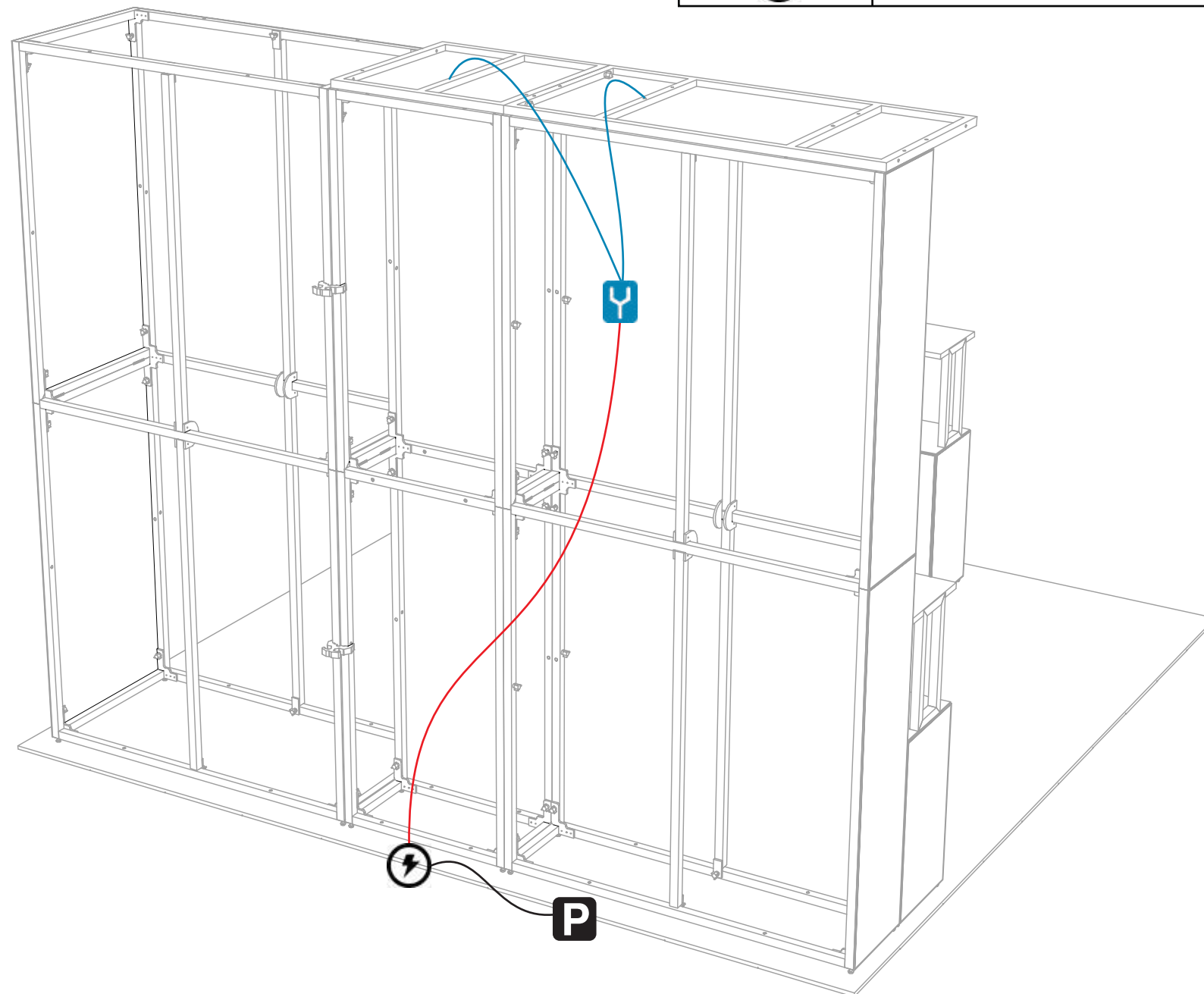
POWER ADAPTER  
( PROVIDED )

**CONNECT ALL POWER PLUGS  
TO MULTIPLE ENDS OF POWER "SQUID"**



POWER "SQUID"  
( PROVIDED )

	POWER ADAPTER CORD
	EXTENSION CORD
	TV POWER CORD
	POWER "SQUID"
	POWER DROP

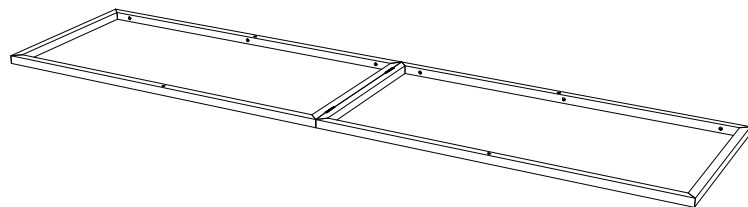




PARTS LIST		
QNTY	LABEL	NAME
1	LVHX	LEFT VERTICAL HINGED
1	RVHX	RIGHT VERTICAL HINGED
2	BH1	BOTTOM HORIZONTAL
2	MH1	MIDDLE HORIZONTAL
2	TH1	TOP HORIZONTAL
2	CVH1	CENTER VERTICAL HINGED
20	GRN	1" GREEN THUMB SCREW
4	RED	2" RED THUMB SCREW

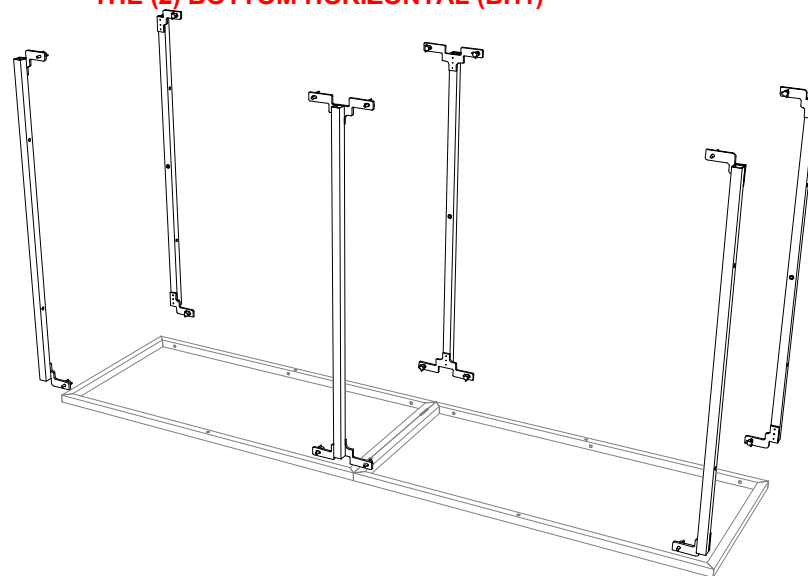
### 1st Step)

START WITH THE LEFT VERTICAL (LVHX) ON THE GROUND



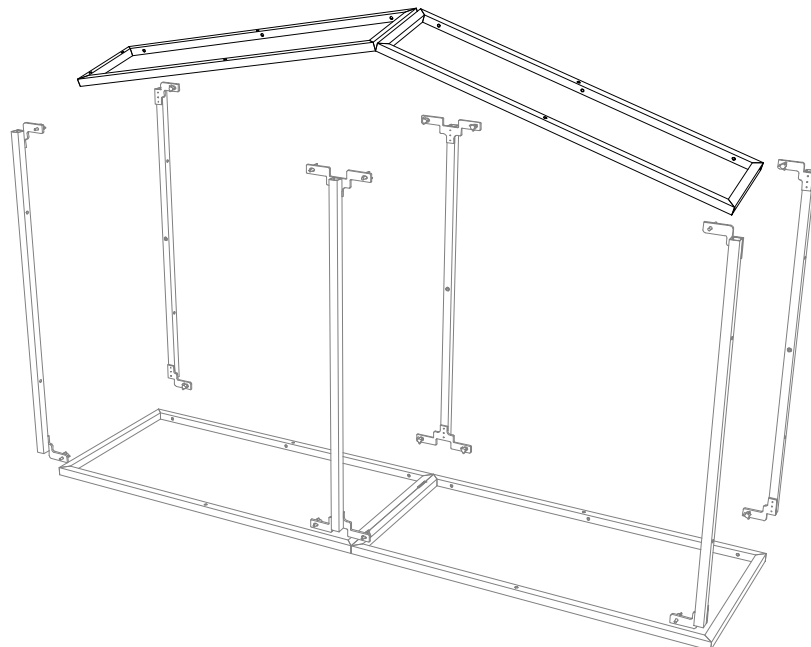
### 2nd Step)

ATTACH THE (2) TOP HORIZONTAL (TH1), THE (2) MIDDLE HORIZONTAL (MH1), AND THE (2) BOTTOM HORIZONTAL (BH1)



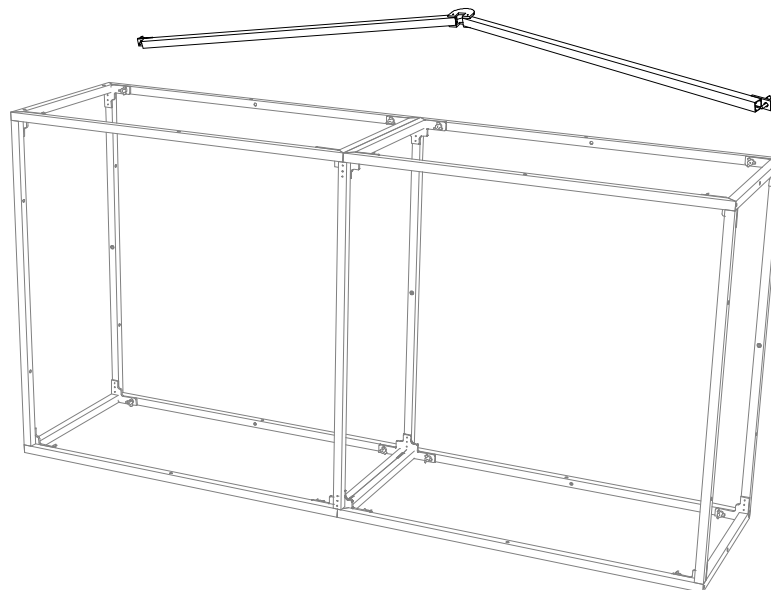
### 3rd Step)

ATTACH THE RIGHT HINGED SIDE (RVH1)



### 4th Step)

ATTACH THE (2) CENTER VERTICAL HINGED (CVH1) AND STAND UP-RIGHT



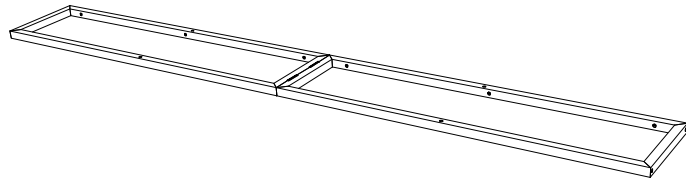
\*MATCH NUMBERS TO CONSTRUCT



PARTS LIST		
QNTY	LABEL	NAME
1	LVH1	LEFT VERTICAL HINGED
1	RVH1	RIGHT VERTICAL HINGED
2	BH1	BOTTOM HORIZONTAL
2	MH1	MIDDLE HORIZONTAL
2	TH1	TOP HORIZONTAL
2	CVH1	CENTER VERTICAL HINGED
20	GRN	1" GREEN THUMB SCREW
4	RED	2" RED THUMB SCREW

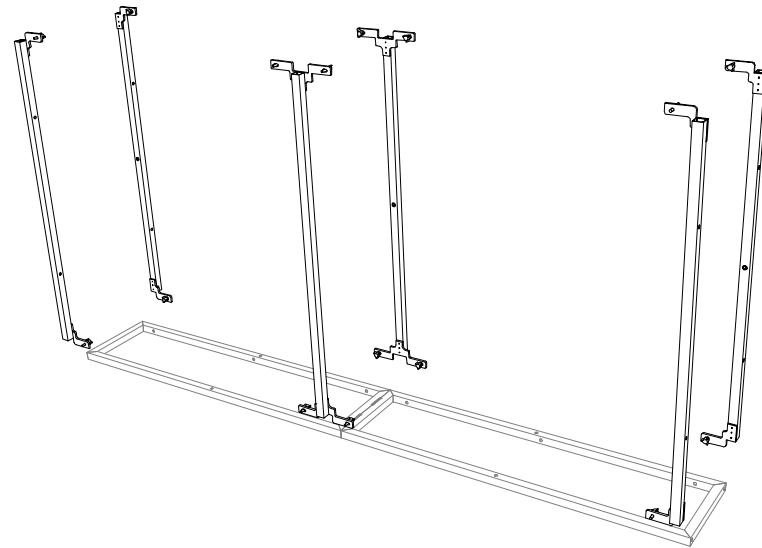
### 1st Step)

START WITH THE LEFT VERTICAL HINGED (LVH1) ON THE GROUND



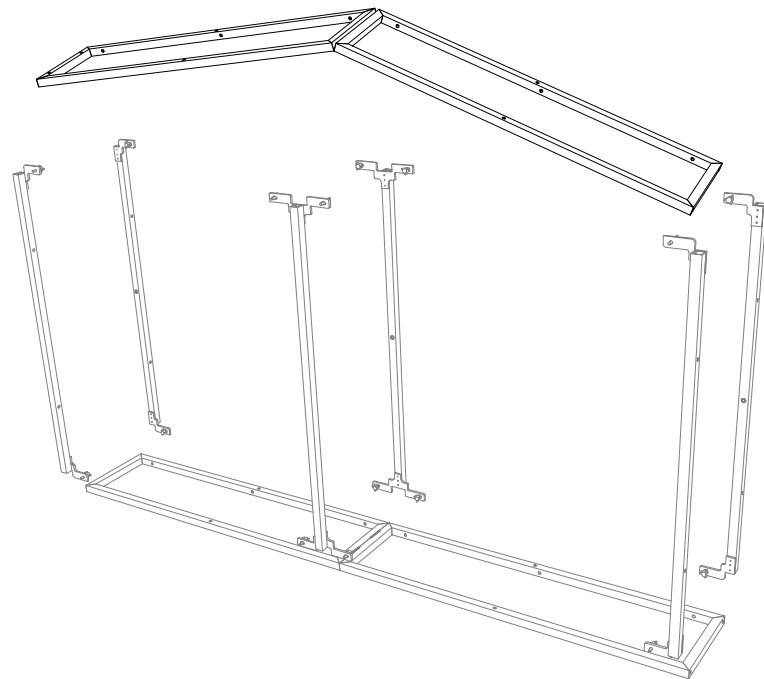
### 2nd Step)

ATTACH THE (2) TOP HORIZONTAL (TH1), THE (2) MIDDLE HORIZONTAL (MH1), AND THE (2) BOTTOM HORIZONTAL (BH1)



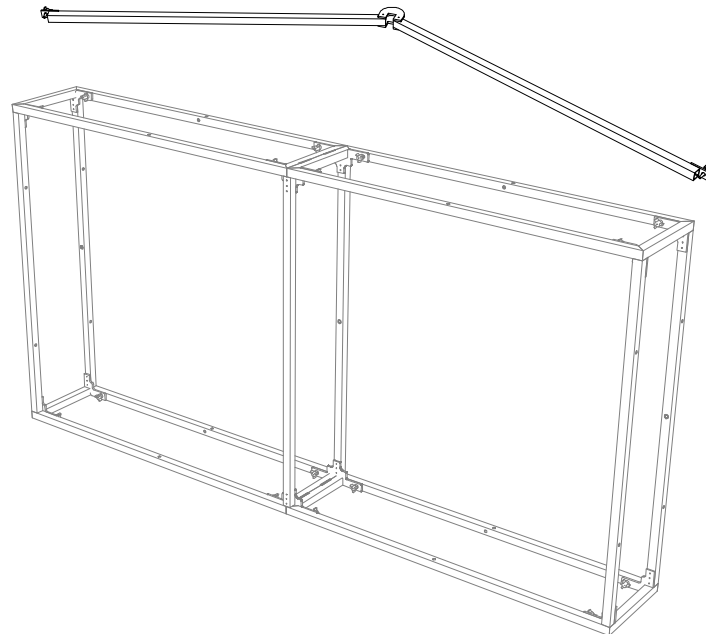
### 3rd Step)

ATTACH THE RIGHT HINGED SIDE (RVH1)

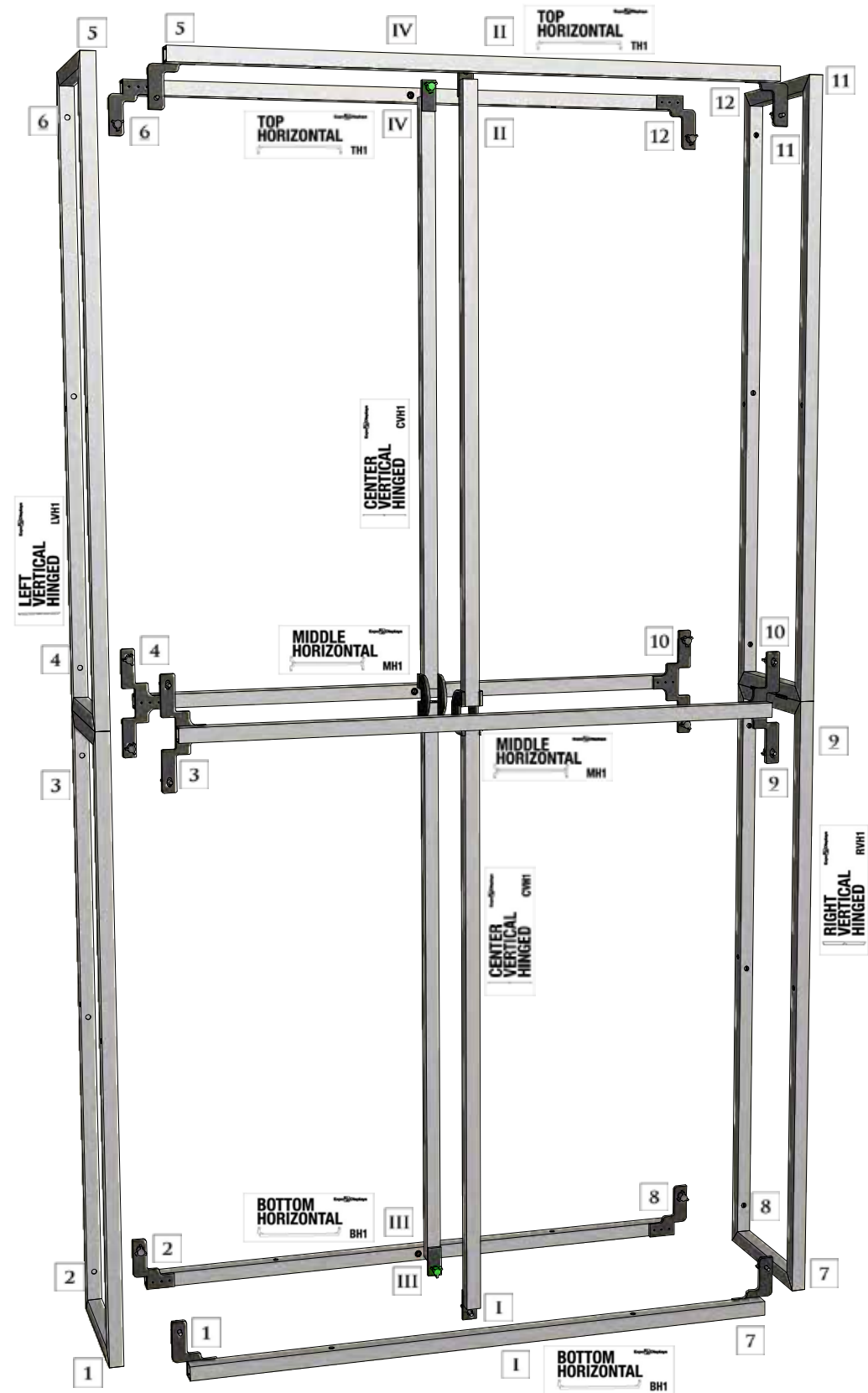


### 4th Step)

ATTACH THE (2) CENTER VERTICAL HINGED (CVH1) AND STAND UP-RIGHT



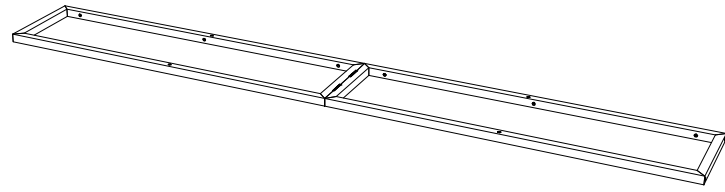
**\*MATCH NUMBERS TO CONSTRUCT**



THIS PART USED TO MAKE  
**MQ-F24**  
2x4 STANDARD FRAME

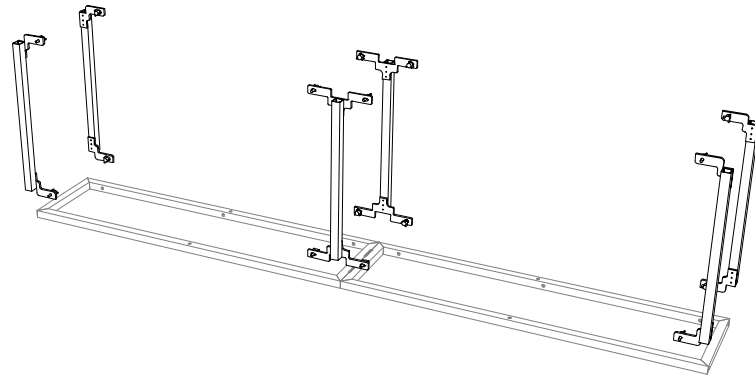
**1st Step)**

**START WITH THE LEFT VERTICAL HINGED (LVH1) ON THE GROUND**



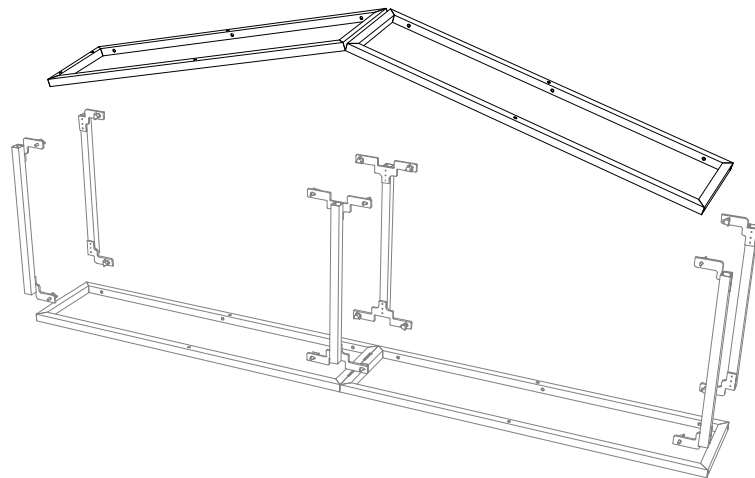
**2nd Step)**

**ATTACH THE (2) TOP HORIZONTAL (TH2), THE (2) MIDDLE HORIZONTAL (MH2), AND THE (2) BOTTOM HORIZONTAL (BH2)**



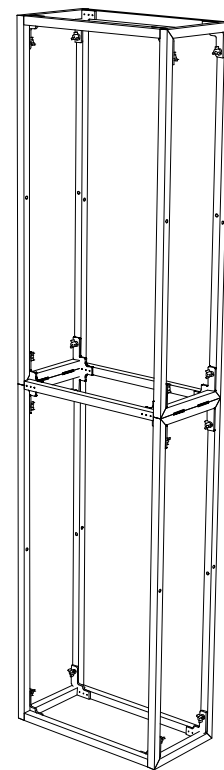
**3rd Step)**

**ATTACH THE RIGHT HINGED SIDE (RVH1)**



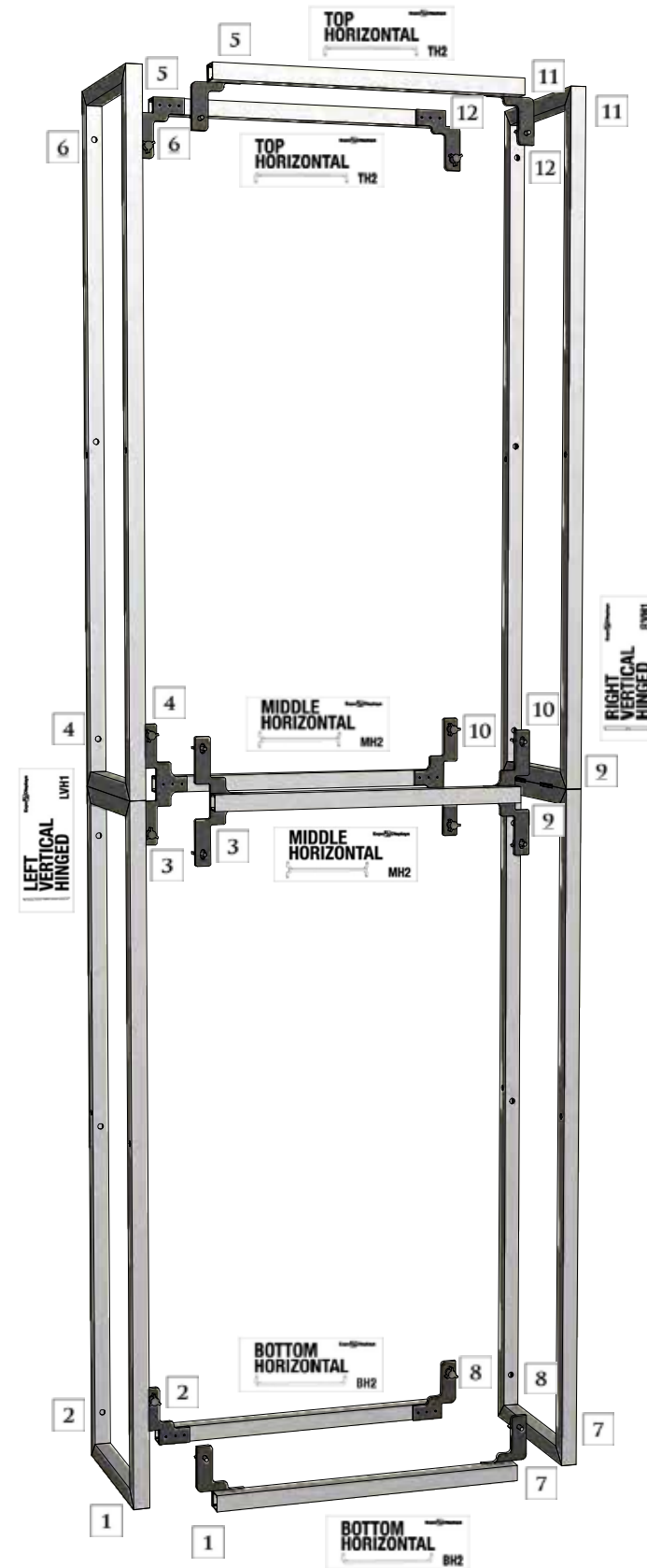
**4th Step)**

**STAND UP-RIGHT**



**\*MATCH NUMBERS TO CONSTRUCT**

PARTS LIST		
QNTY	LABEL	NAME
1	LVH1	LEFT VERTICAL HINGED
1	RVH1	RIGHT VERTICAL HINGED
2	BH2	BOTTOM HORIZONTAL
2	MH2	MIDDLE HORIZONTAL
2	TH2	TOP HORIZONTAL
16	GRN	1" GREEN THUMB SCREW
4	RED	2" RED THUMB SCREW



**MultiQuad®**  
The Last Exhibit You'll Ever Buy

3401 Mary Taylor Road  
Birmingham, Alabama 35235  
(205) 439-8200

Drawn By: AKHIII

THIS PART USED TO MAKE  
**MQ-F14**  
1x4 STANDARD FRAME

**ASSEMBLY INSTRUCTIONS**  
1x4 STANDARD FRAME  
MQ-F14

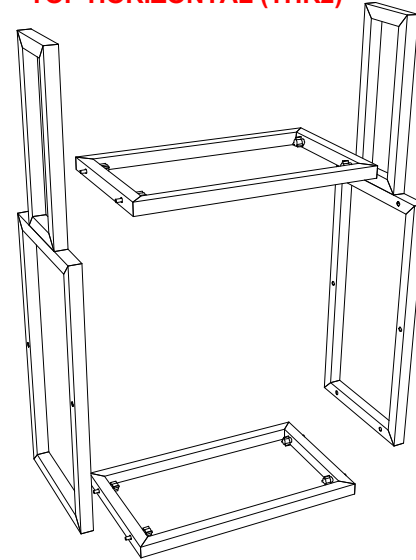
**APPENDIX D**



PARTS LIST		
QNTY	LABEL	NAME
1	LVP1	LEFT VERTICAL RECTANGLE
1	RVP1	RIGHT VERTICAL RECTANGLE
1	BHR2	BOTTOM HORIZONTAL RECT.
1	THR2	TOP HORIZONTAL RECT.
1	SSPOD1	SHELF
1	CTPOD1	PODIUM COUNTER TOP
12	RED	2" RED THUMB SCREW

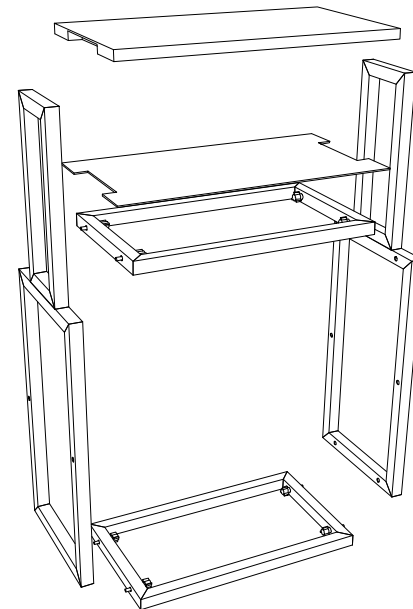
**1st Step)**

**START WITH THE BOTTOM HORIZONTAL (BHR2) ON THE GROUND. ATTACH THE LEFT VERTICAL (LVP1), AND THE RIGHT VERTICAL (RVP1). THEN ATTACH THE TOP HORIZONTAL (THR2)**



**2nd Step)**

**ATTACH THE PODIUM COUNTERTOP AND THE PODIUM SHELF**

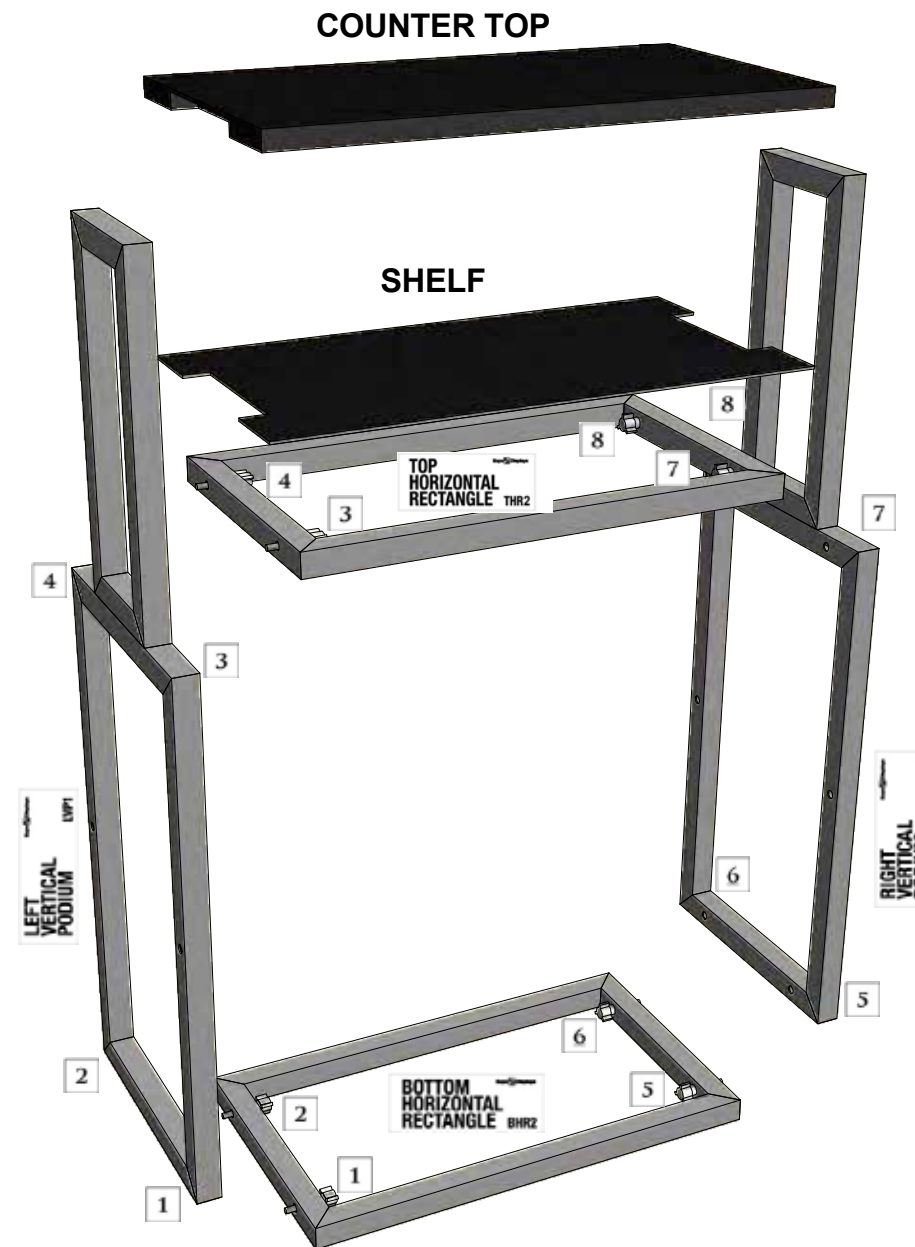


**Joining Multiple Podiums)**

**ATTACH MULTIPLE PODIUMS BY RUNNING THE 2" RED THUMBSCREWS THROUGH THE OPEN HOLES OF ONE PODIUM INTO THE THREADED INSERTS OF ANOTHER**



**\*MATCH NUMBERS TO CONSTRUCT**



3401 Mary Taylor Road  
Birmingham, Alabama 35235  
(205) 439-8200

Drawn By: AKHIII



**ASSEMBLY INSTRUCTIONS**  
1x1 STANDARD PODIUM  
MQ-POD1

APPENDIX F