

ASSEMBLY INSTRUCTIONS:



MultiQuad[®]
The Last Exhibit You'll Ever Buy

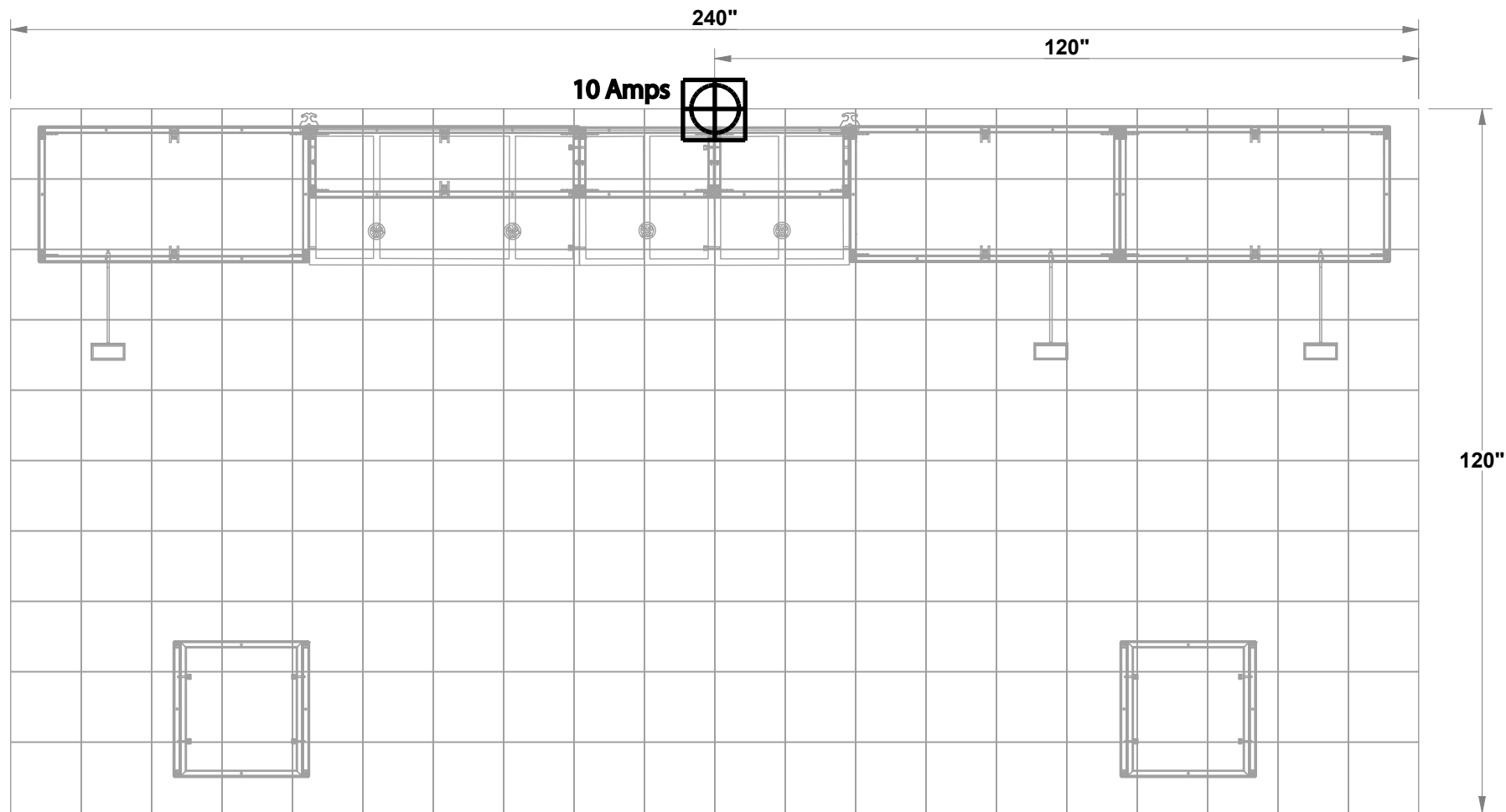
3401 Mary Taylor Road
Birmingham, Alabama 35235
(205) 439-8200

KIT #06

10 x 20 Custom MultiQuad[®]

■ *Electrical Plan*

BOOTH # _____ ▲



TOP VIEW

BOOTH # _____ ▲

BOOTH # _____ ▼

BOOTH # _____ ▼



MAIN ELECTRICAL DROP



ADDITIONAL ELECTRICAL OUTLET

ASSEMBLY INSTRUCTIONS:

* NO TOOLS REQUIRED TO ASSEMBLE

* ASSEMBLE EACH BOXED FRAME INDIVIDUALLY THEN JOIN AS SHOWN IN THE FOLLOWING PAGES:

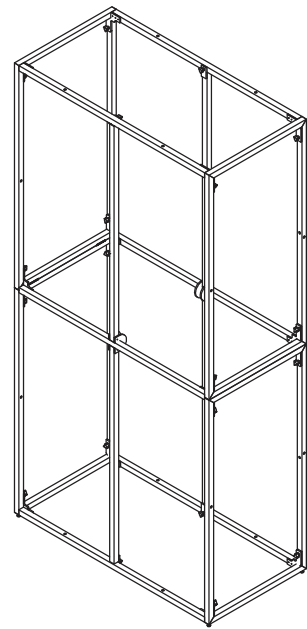


MultiQuad[®]
The Last Exhibit You'll Ever Buy

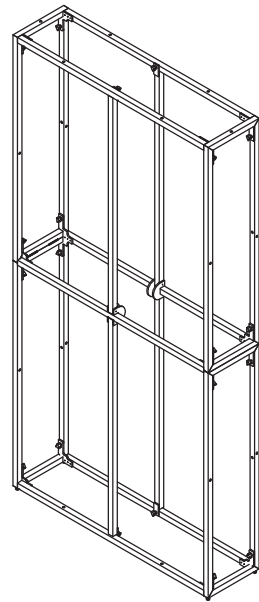
3401 Mary Taylor Road
Birmingham, Alabama 35235
(205) 439-8200

KIT #06

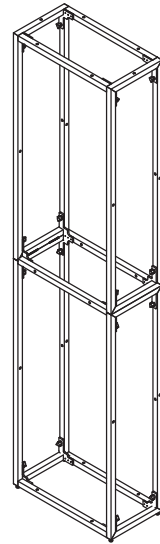
10 x 20 Custom MultiQuad[®]



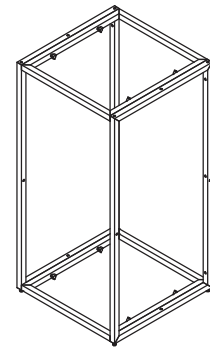
MAX FRAME
(SEE APPENDIX J)
MQX-F24 X 3
2x4 MAX FRAME



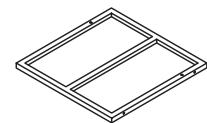
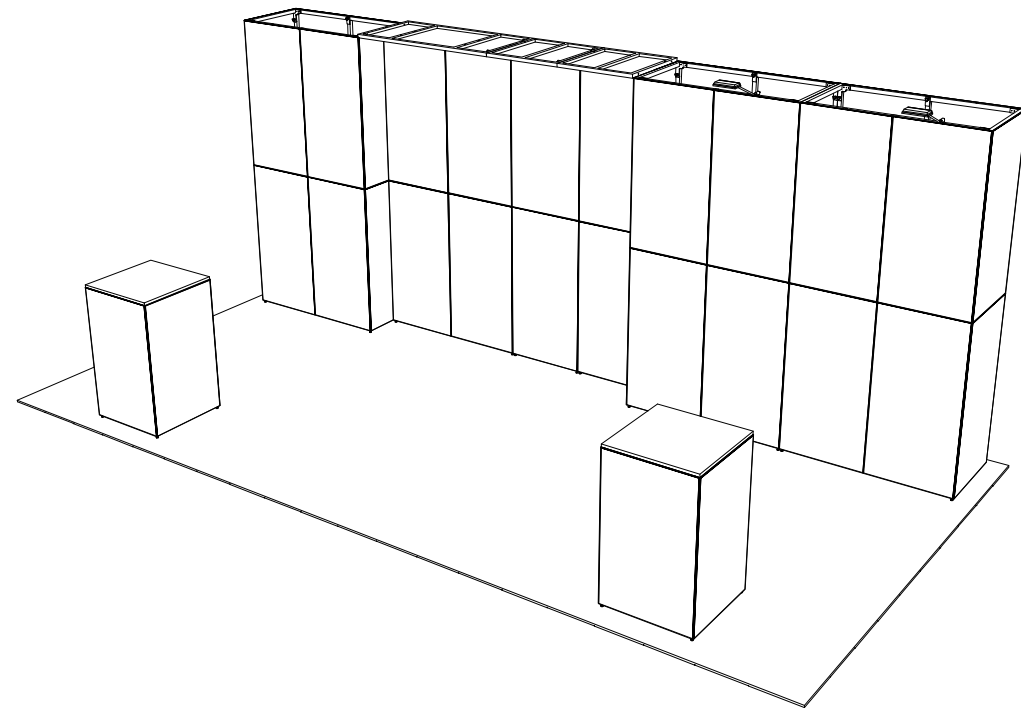
STANDARD FRAME
(SEE APPENDIX B)
MQ-F24 X 2
2x4 STANDARD FRAME



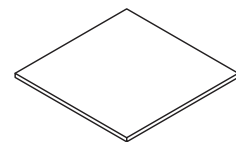
STANDARD FRAME
(SEE APPENDIX D)
MQ-F14 X 2
1x4 STANDARD FRAME



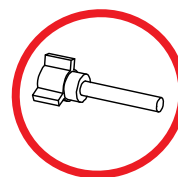
MAX FRAME
(SEE APPENDIX V)
MQX-F12 X 2
1x2 MAX FRAME



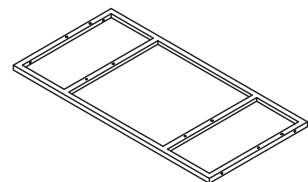
23 X 23 CANOPY X 2



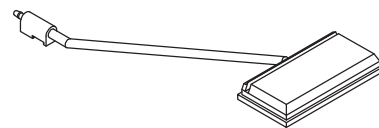
23 X 23 COUNTERTOP X 2



RED THUMBSCREWS

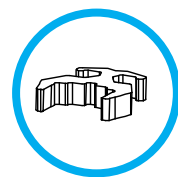


23 X 46 CANOPY

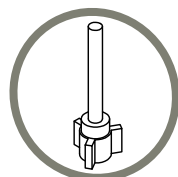


WALL WASHER STEMLIGHT
(SEE APPENDIX P-2)

WALL WASHER STEMLIGHT X 3



PRESSURE CLAMPS



BLACK THUMBSCREWS

ASSEMBLY INSTRUCTIONS:

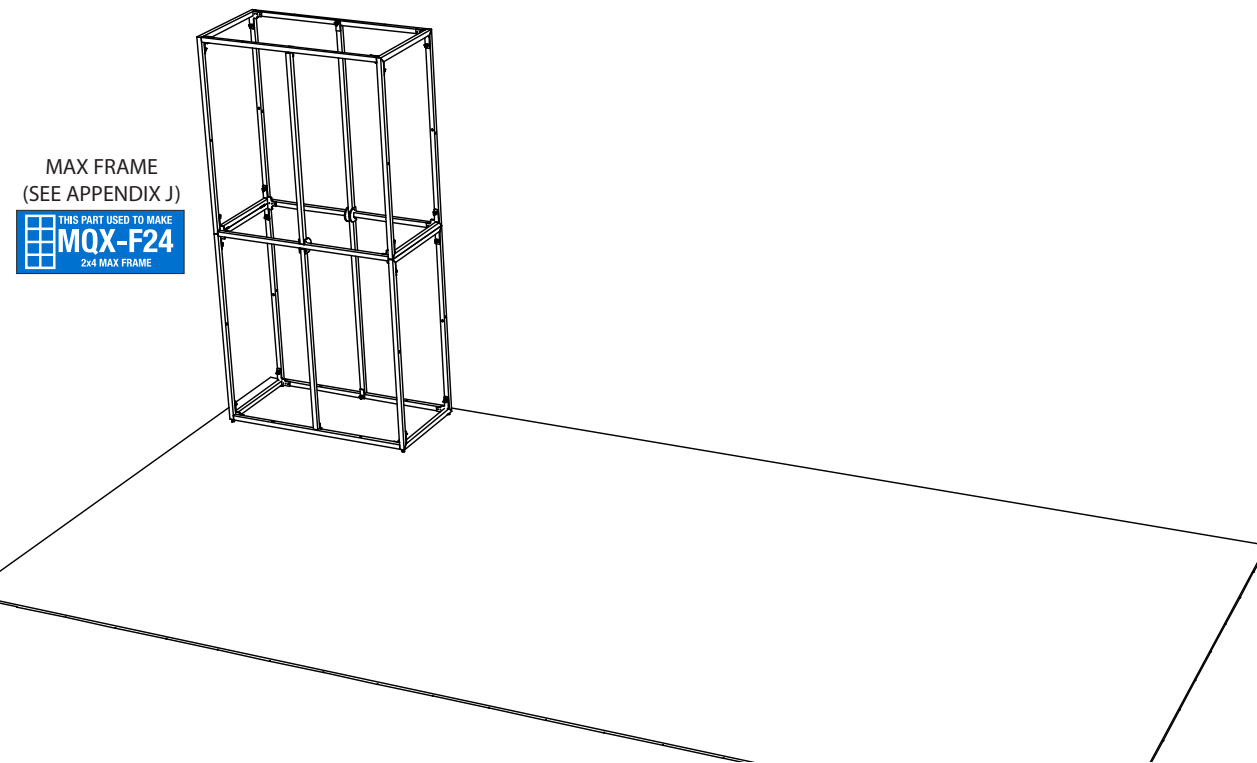


MultiQuad[®]
The Last Exhibit You'll Ever Buy

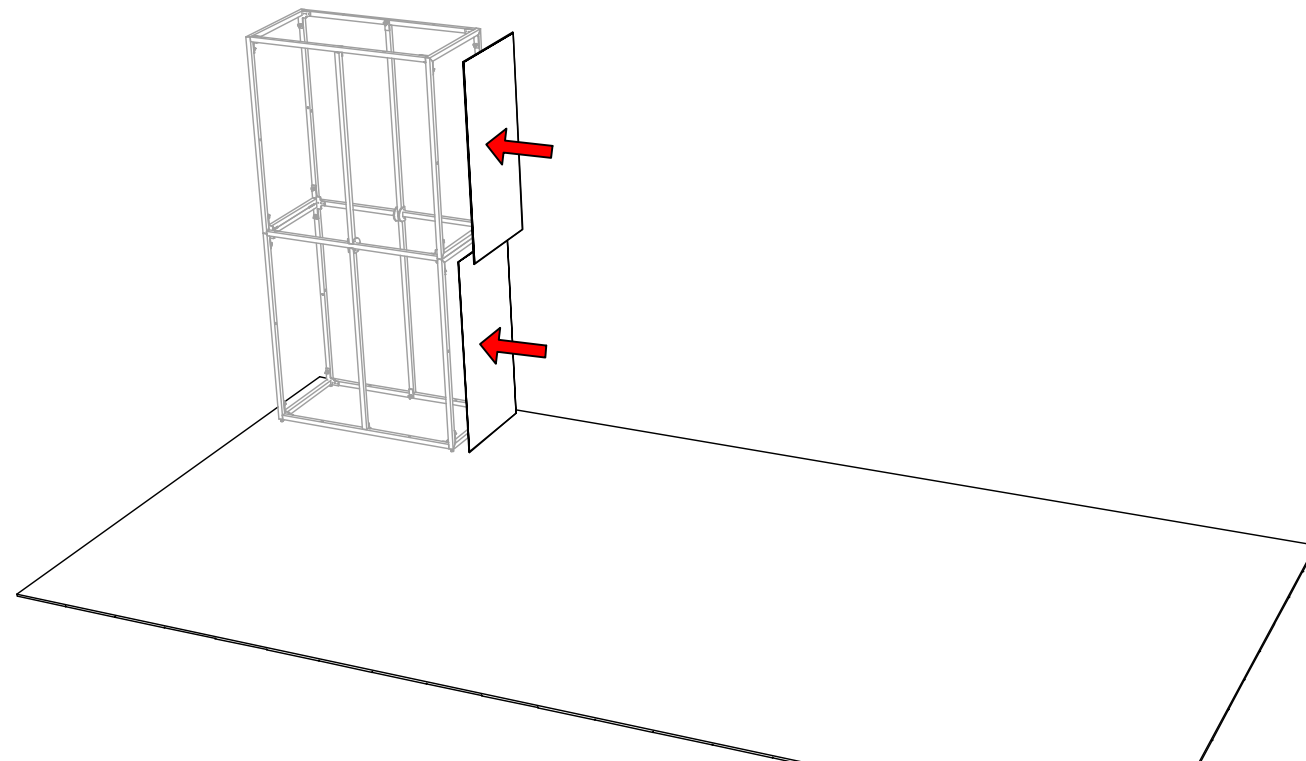
3401 Mary Taylor Road
Birmingham, Alabama 35235
(205) 439-8200

KIT #06

10 x 20 Custom MultiQuad[®]

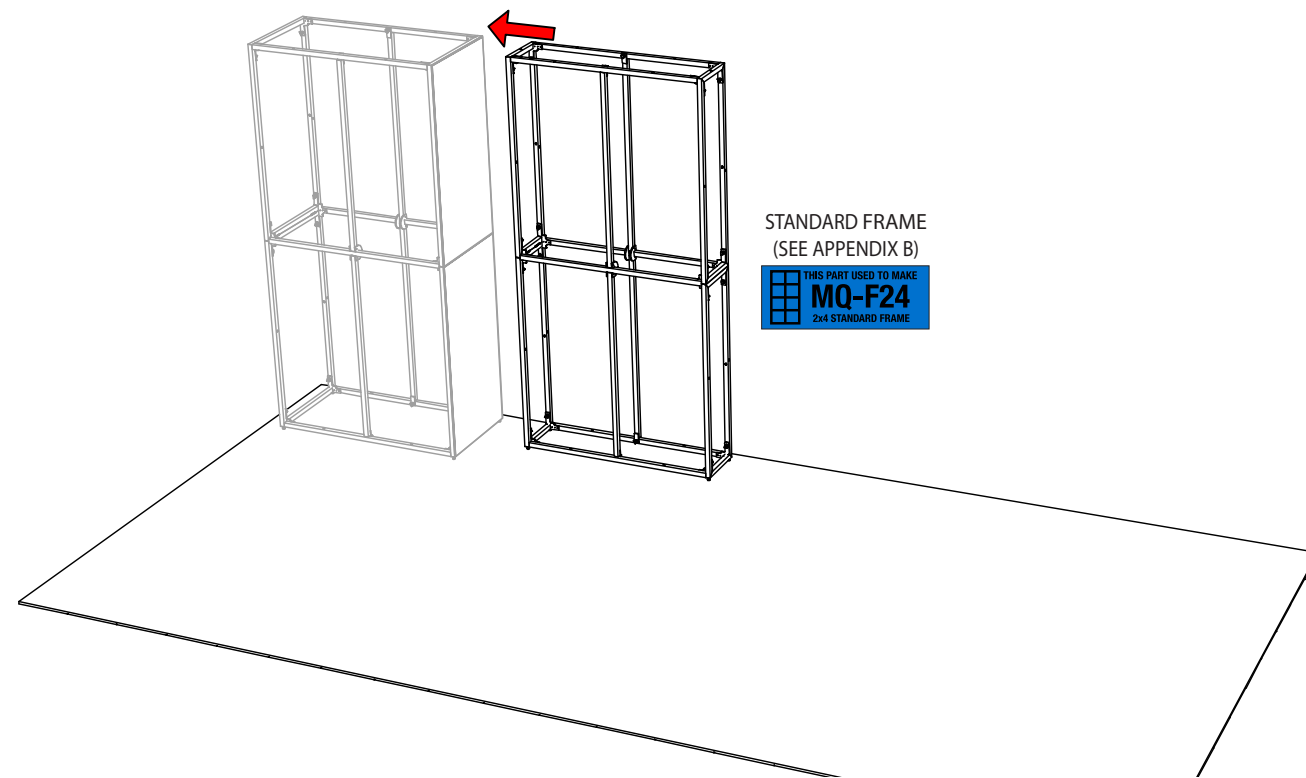


PLACE **LABELED FRAME** IN LEFT CORNER OF FLOORSPACE AS SHOWN

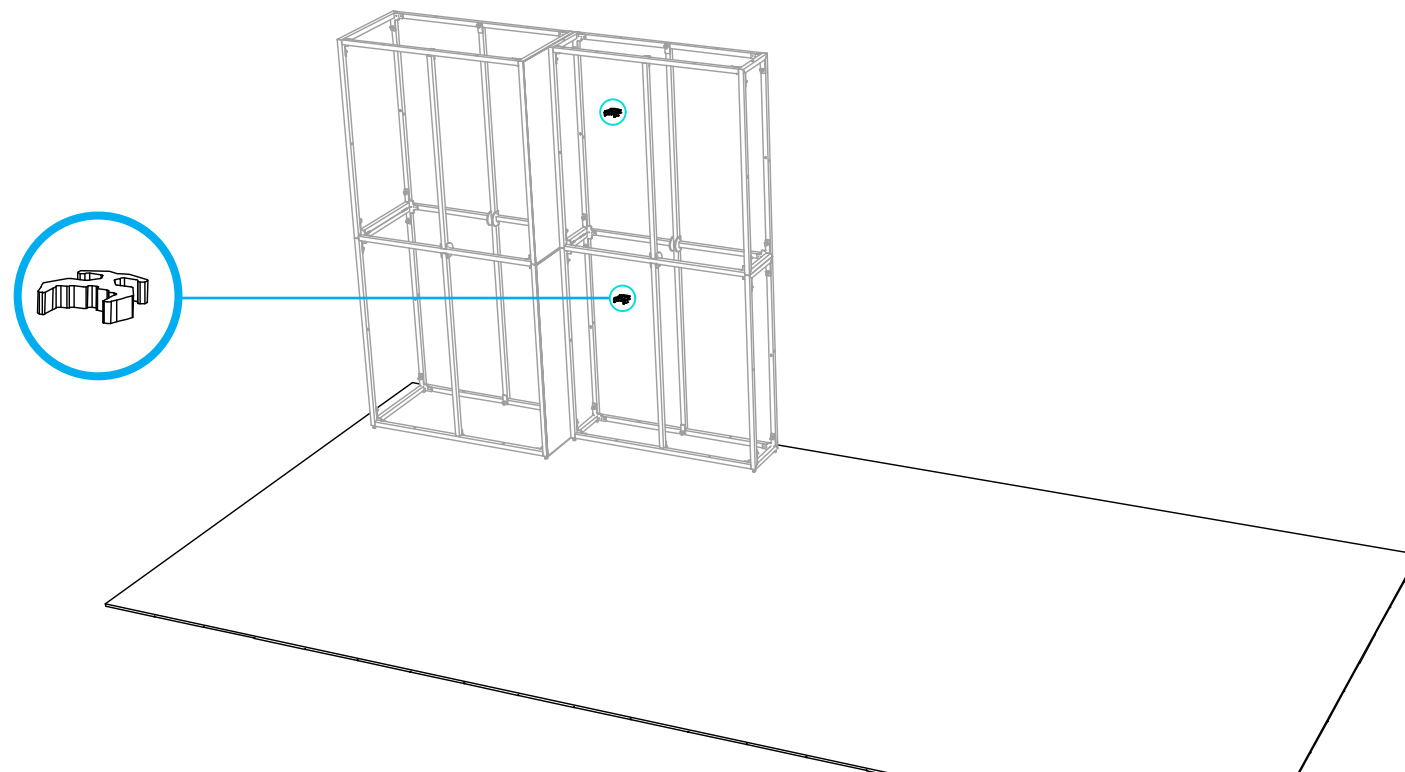


PLACE (**2**) **DOUBLE QUADS** ON RIGHT SIDE OF **MAIN TOWER** AS SHOWN

ASSEMBLY INSTRUCTIONS:



PLACE **LABELED FRAME** AGAINST SIDE OF **MAIN TOWER** IN DIRECTION SHOWN



ATTACH (**2**) **PRESSURE CLAMPS** WHERE **LABELED FRAMES** MEET IN BACK AS SHOWN



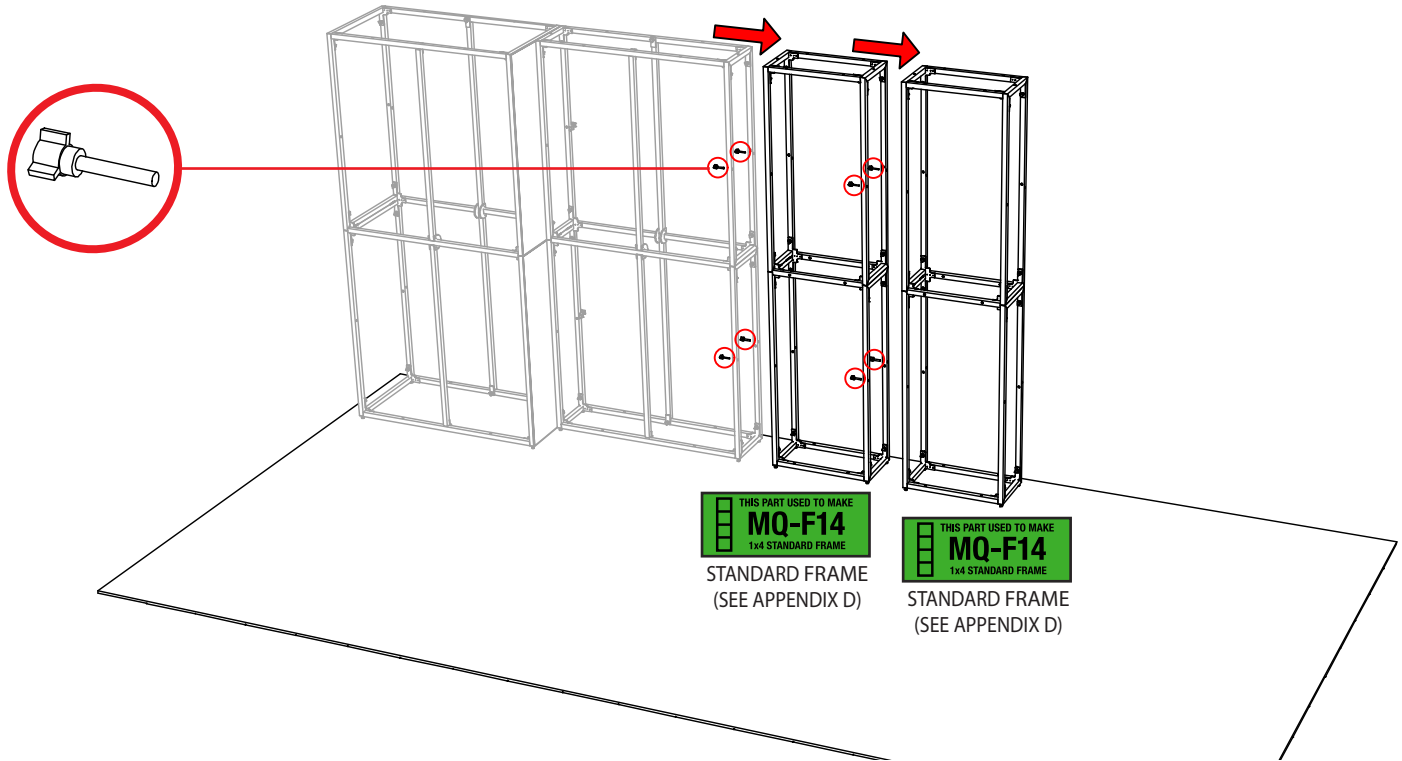
MultiQuad[®]
The Last Exhibit You'll Ever Buy

3401 Mary Taylor Road
Birmingham, Alabama 35235
(205) 439-8200

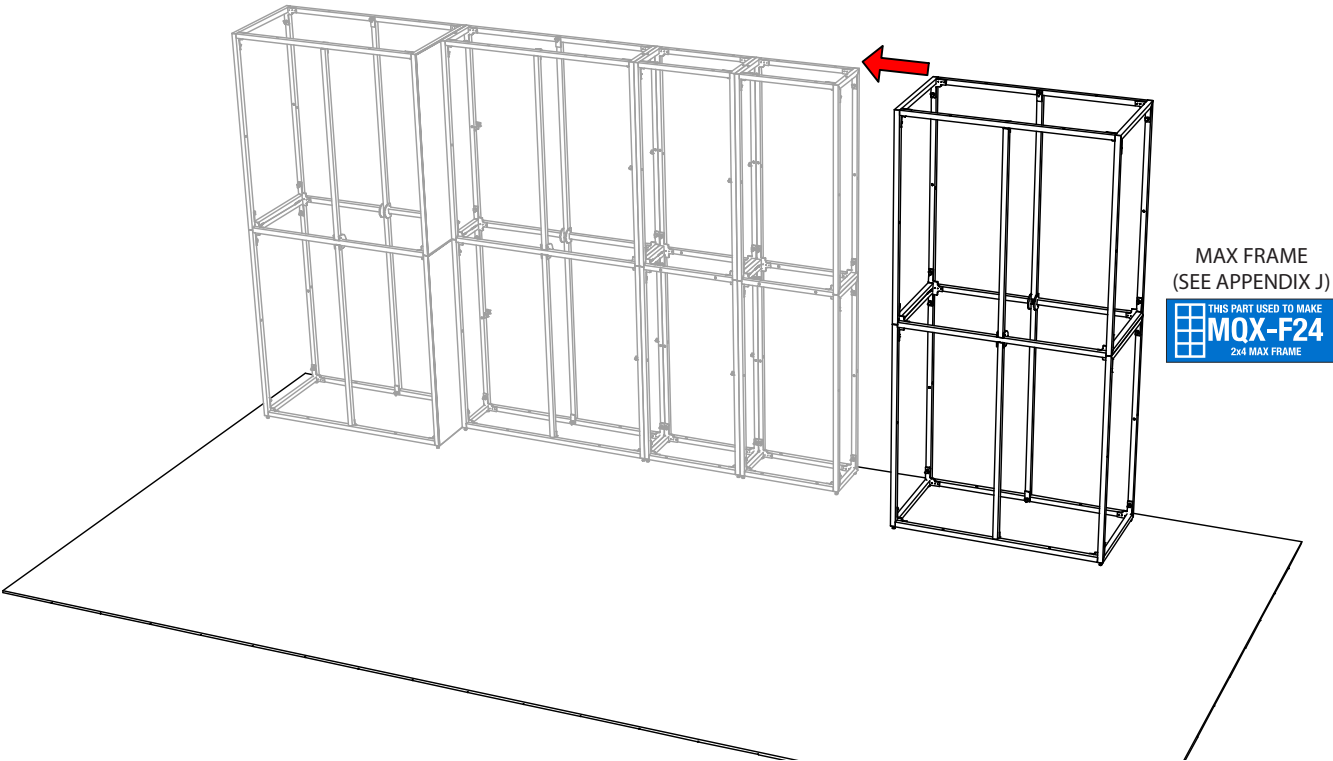
KIT #06

10 x 20 Custom MultiQuad[®]

ASSEMBLY INSTRUCTIONS:



JOIN (2) **LABELED FRAMES** WITH (8) **RED THUMBSCREWS** IN DIRECTION SHOWN



PLACE **LABELED FRAME** AGAINST SIDE OF **MAIN WALL** IN DIRECTION SHOWN



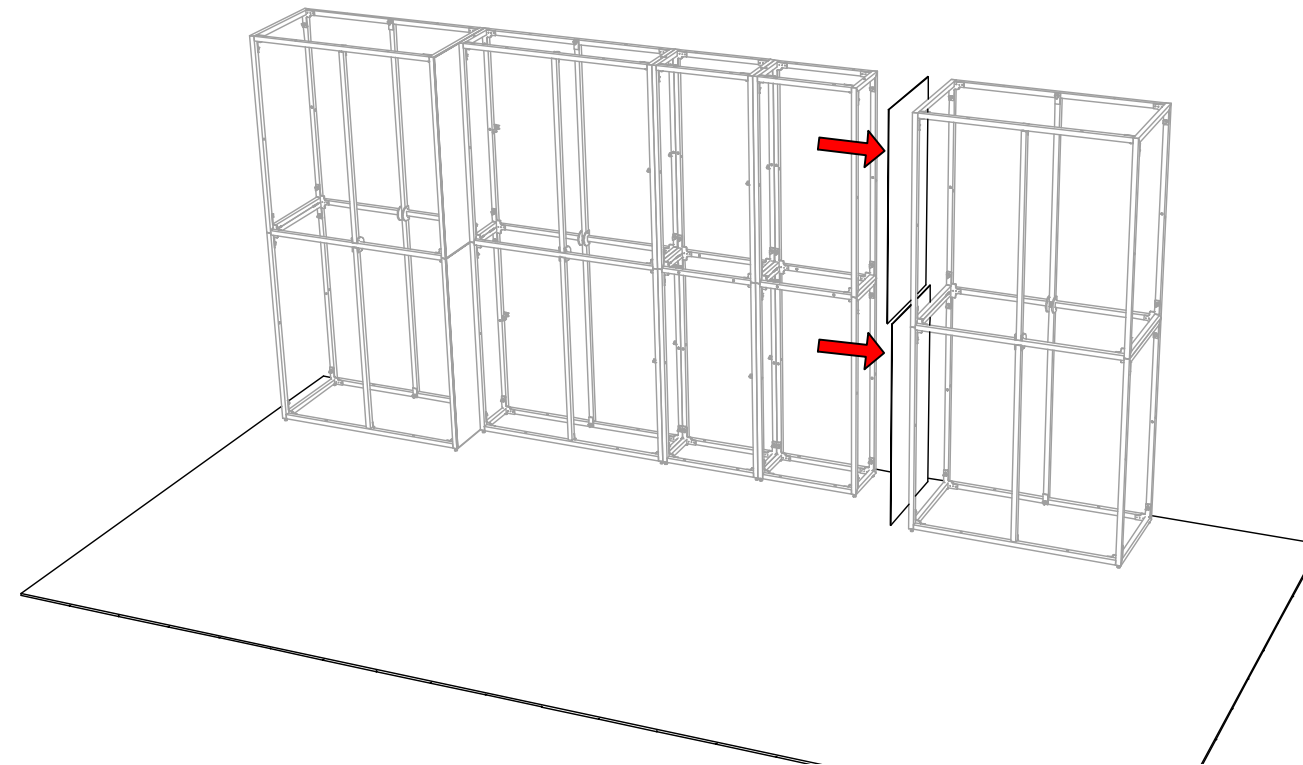
MultiQuad[®]
The Last Exhibit You'll Ever Buy

3401 Mary Taylor Road
Birmingham, Alabama 35235
(205) 439-8200

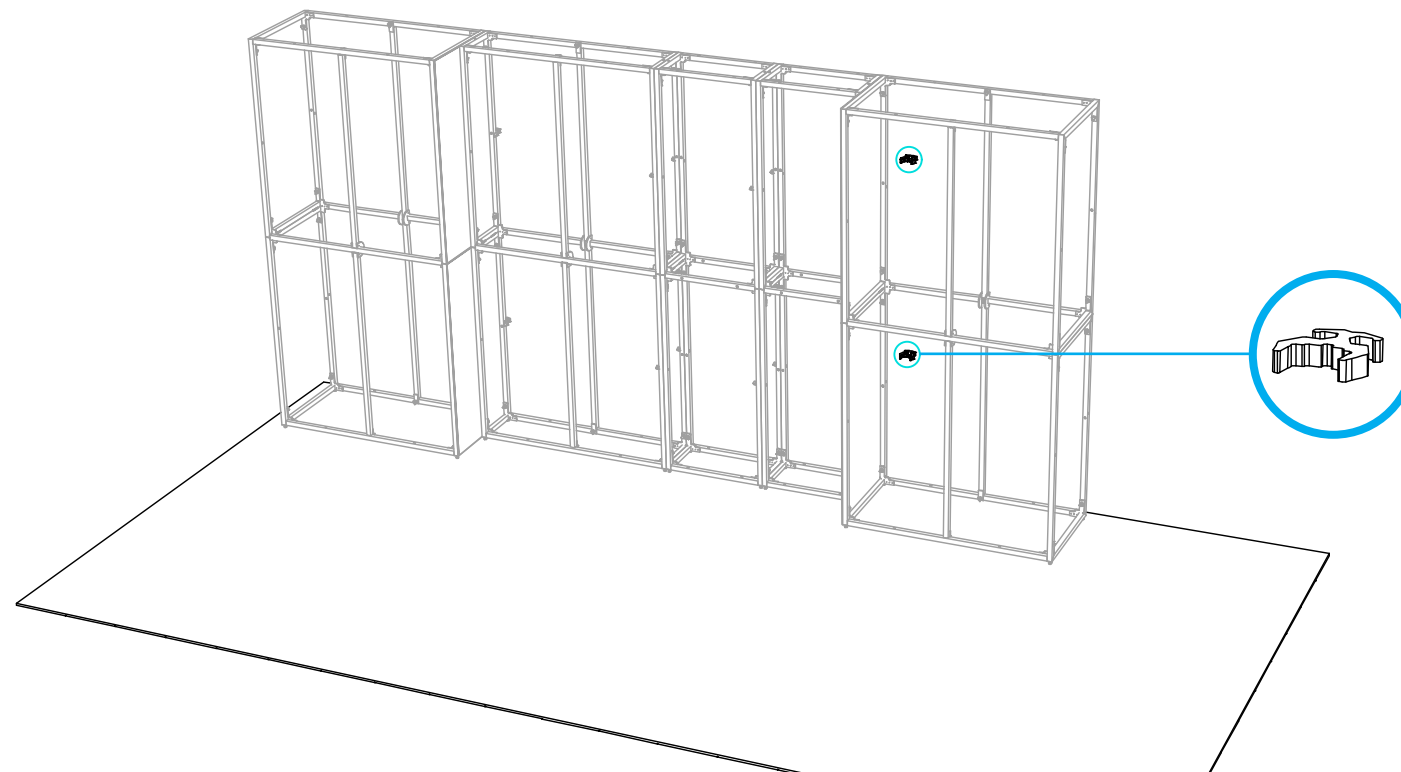
KIT #06

10 x 20 Custom MultiQuad[®]

ASSEMBLY INSTRUCTIONS:



PLACE (2) **DOUBLE QUADS** ON LEFT SIDE OF **END TOWER** AS SHOWN



ATTACH (2) **PRESSURE CLAMPS** WHERE **LABELED FRAMES** MEET IN BACK AS SHOWN



MultiQuad[®]
The Last Exhibit You'll Ever Buy

3401 Mary Taylor Road
Birmingham, Alabama 35235
(205) 439-8200

KIT #06

10 x 20 Custom MultiQuad[®]

ASSEMBLY INSTRUCTIONS:

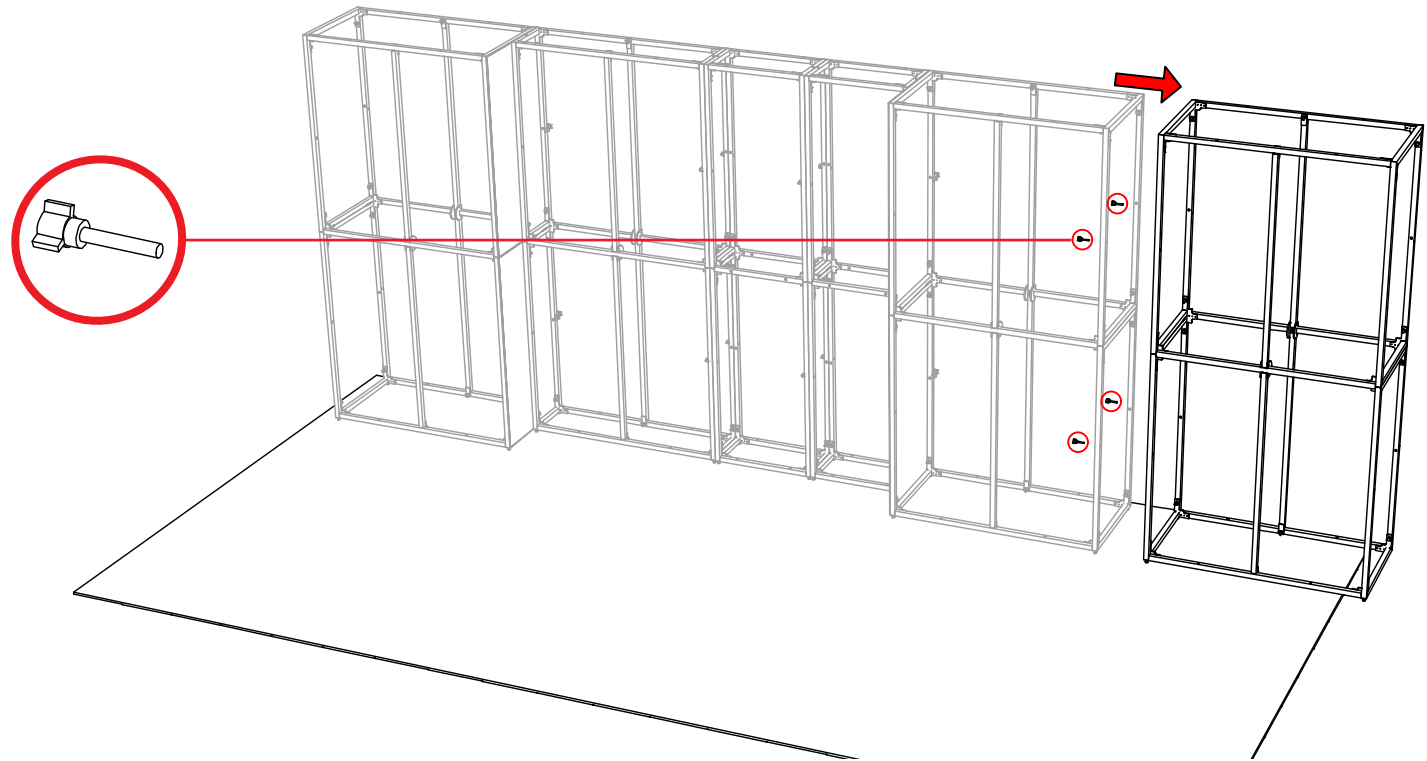


MultiQuad®
The Last Exhibit You'll Ever Buy

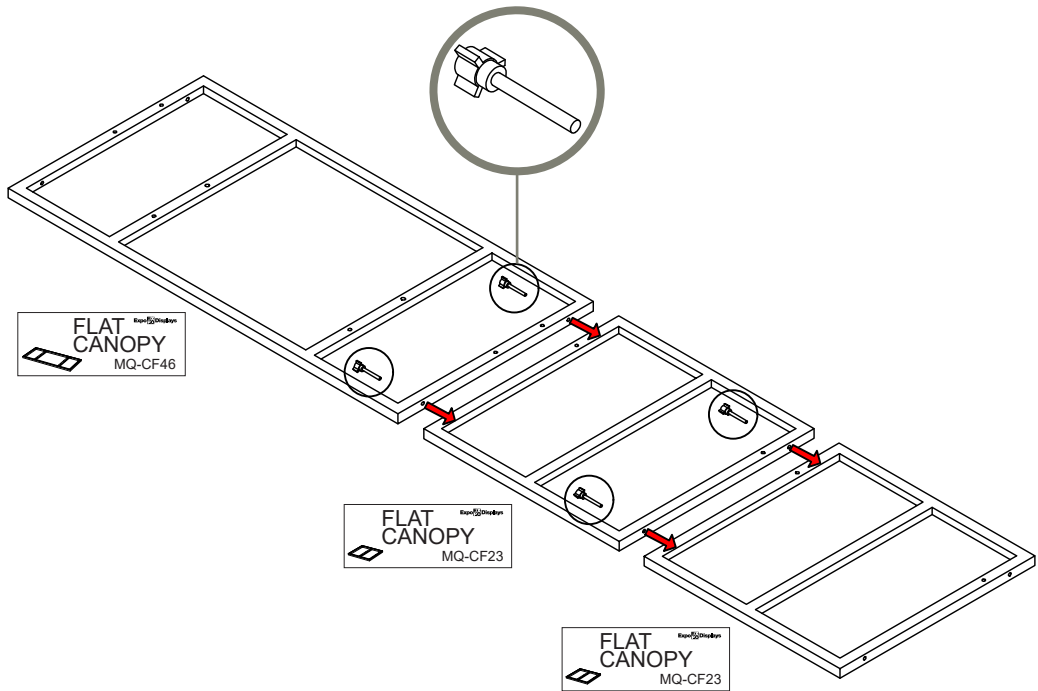
3401 Mary Taylor Road
Birmingham, Alabama 35235
(205) 439-8200

KIT #06

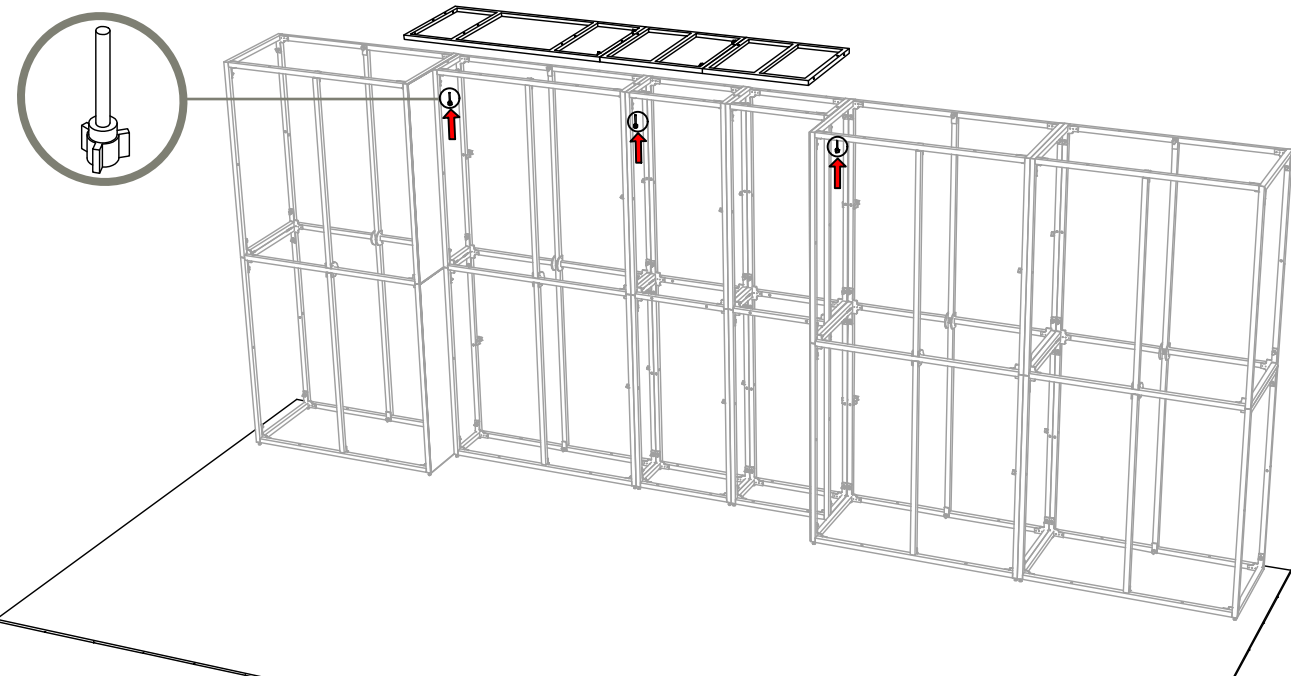
10 x 20 Custom MultiQuad®



JOIN **LABELED FRAME** WITH (**4**) **RED THUMBSCREWS** IN DIRECTION SHOWN

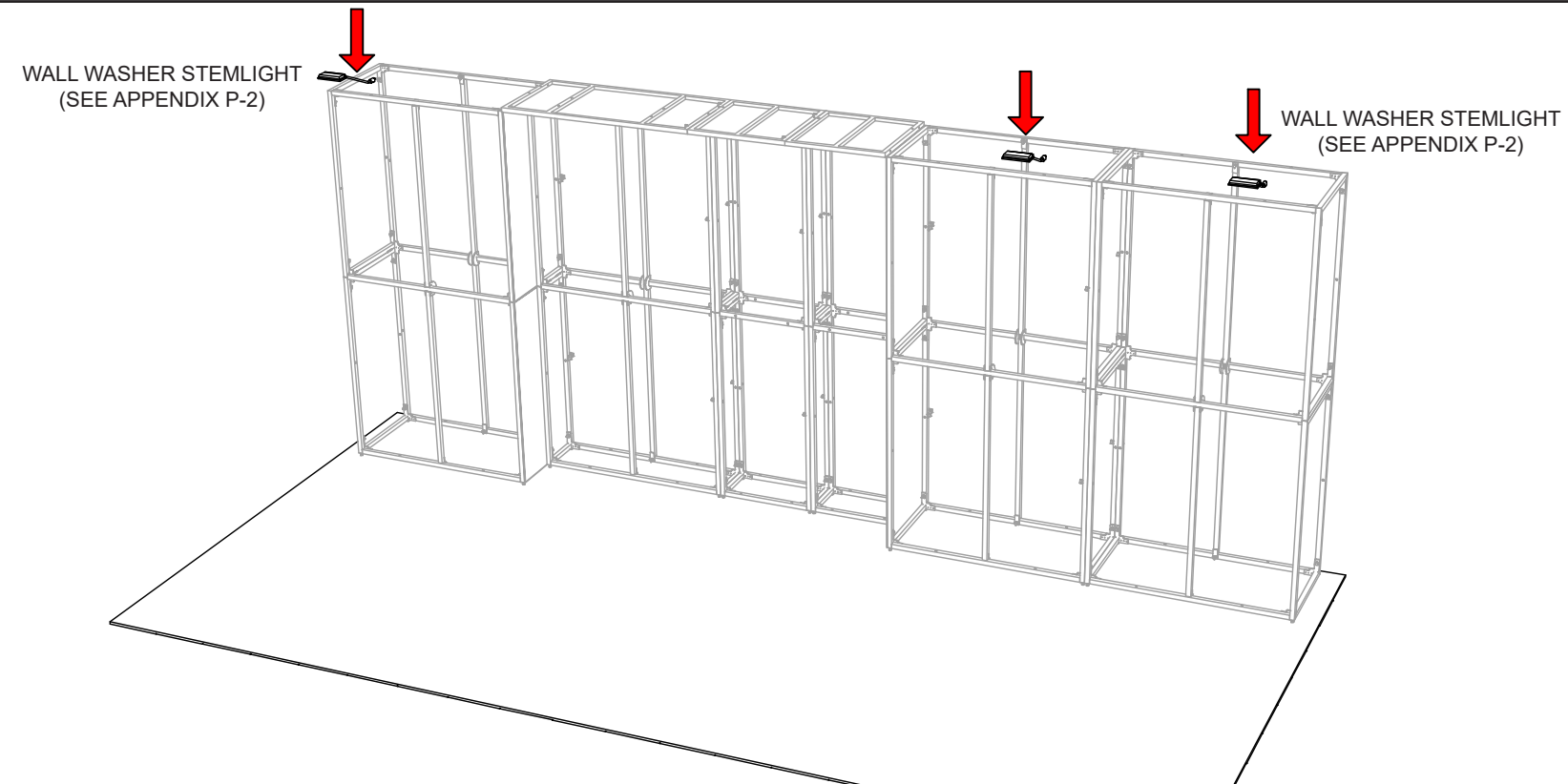


JOIN (**2**) **23 X 23 CANOPIES** & **23 X 46 CANOPY** WITH (**4**) **BLACK THUMBSCREWS** IN DIRECTION SHOWN

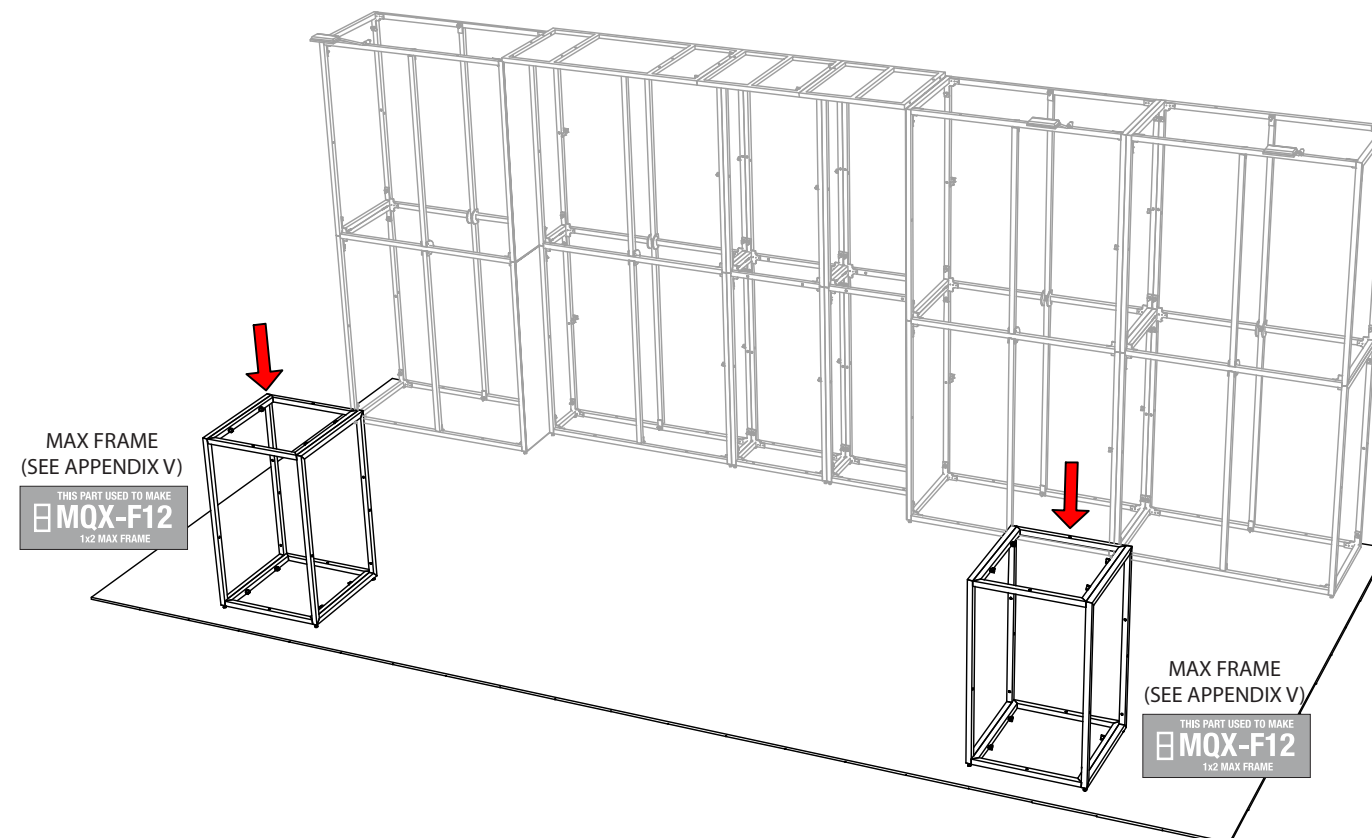


JOIN **ASSEMBLED CANOPIES** WITH (**4**) **BLACK THUMBSCREWS** ON TOP OF **MAIN WALL ASSEMBLY** IN DIRECTION SHOWN

ASSEMBLY INSTRUCTIONS:



PLACE (**3**) **WALL WASHER STEMLIGHTS** ON TOP OF **MAIN WALL ASSEMBLY** AS SHOWN



PLACE (**2**) **LABELED FRAMES** IN FRONT AREA OF FLOORSPACE AS SHOWN



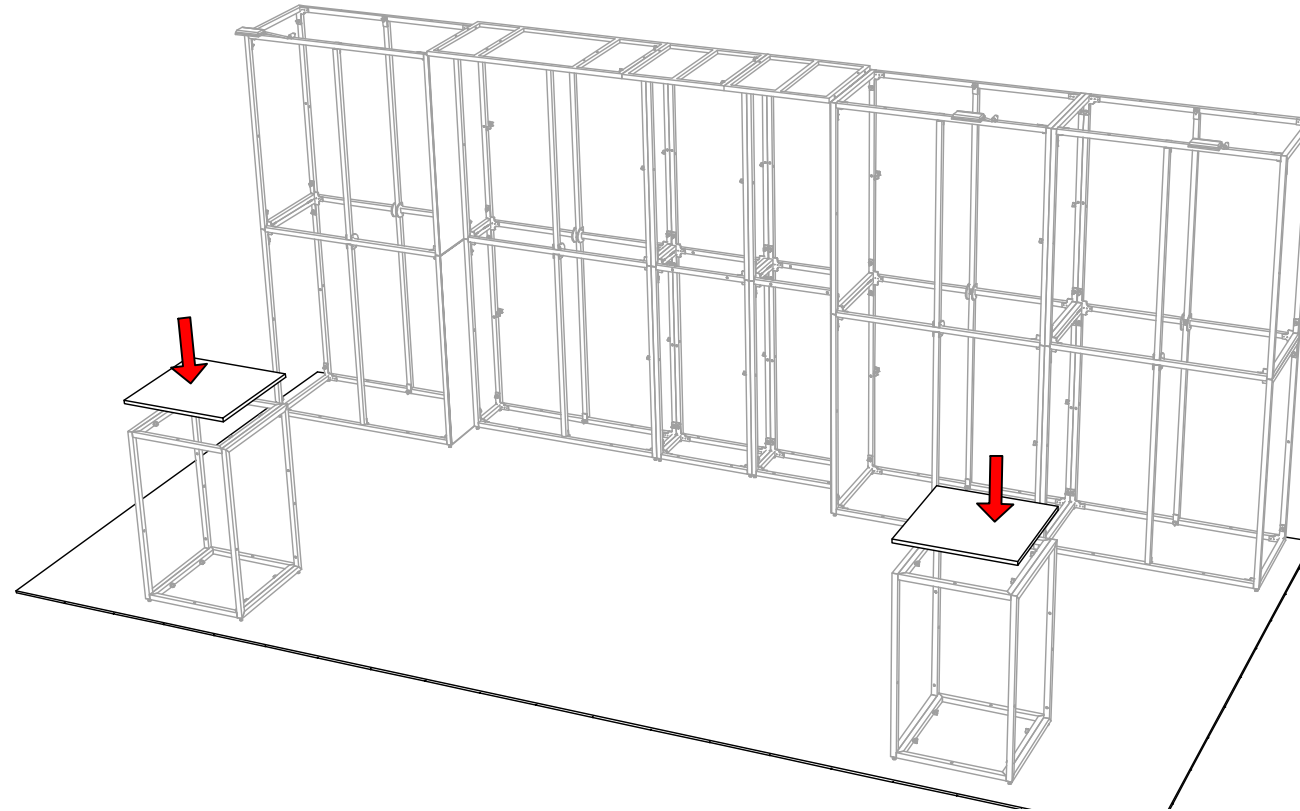
MultiQuad[®]
The Last Exhibit You'll Ever Buy

3401 Mary Taylor Road
Birmingham, Alabama 35235
(205) 439-8200

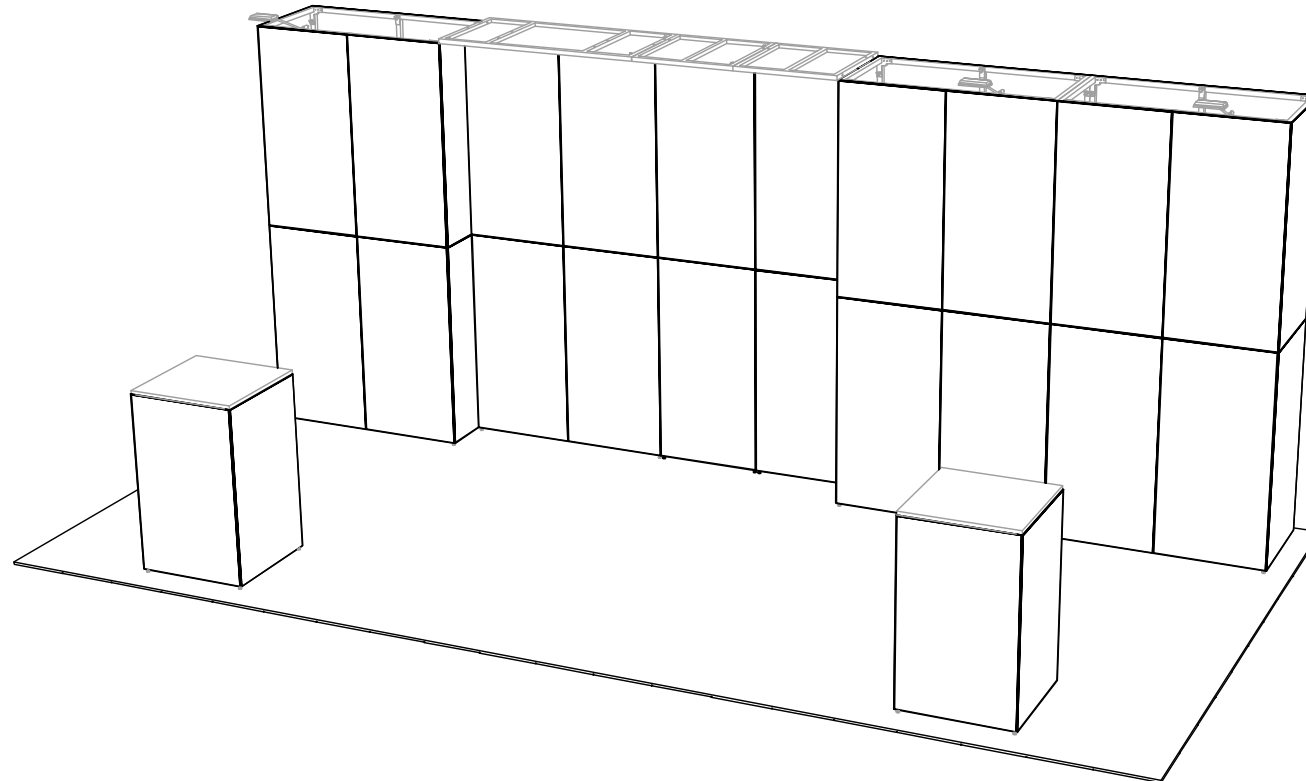
KIT #06

10 x 20 Custom MultiQuad[®]

ASSEMBLY INSTRUCTIONS:



PLACE (2) **23 X 23 COUNTERTOPS** ON TOP OF **LABELED FRAMES** AS SHOWN



PLACE REMAINING **DOUBLE QUADS** ON FRAMEWORK ACCORDING TO **GRAPHIC LAYOUT** (NOT SHOWN)



MultiQuad[®]
The Last Exhibit You'll Ever Buy

3401 Mary Taylor Road
Birmingham, Alabama 35235
(205) 439-8200

KIT #06

10 x 20 Custom MultiQuad[®]

ASSEMBLY INSTRUCTIONS:



MultiQuad®
The Last Exhibit You'll Ever Buy

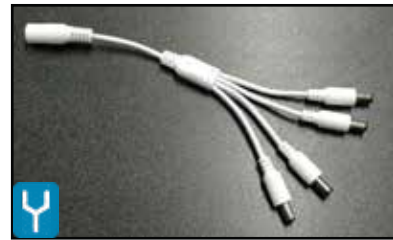
3401 Mary Taylor Road
Birmingham, Alabama 35235
(205) 439-8200

KIT #06

10 x 20 Custom MultiQuad®

■ Electrical Requirements

**ATTACH PUCKLIGHT TAILS
TO MULTIPLE ENDS OF SPLITTER**



4 - WAY WHITE DC SPLITTER
(PROVIDED)

**ATTACH DC ADAPTER
TO SINGLE END OF SPLITTER**








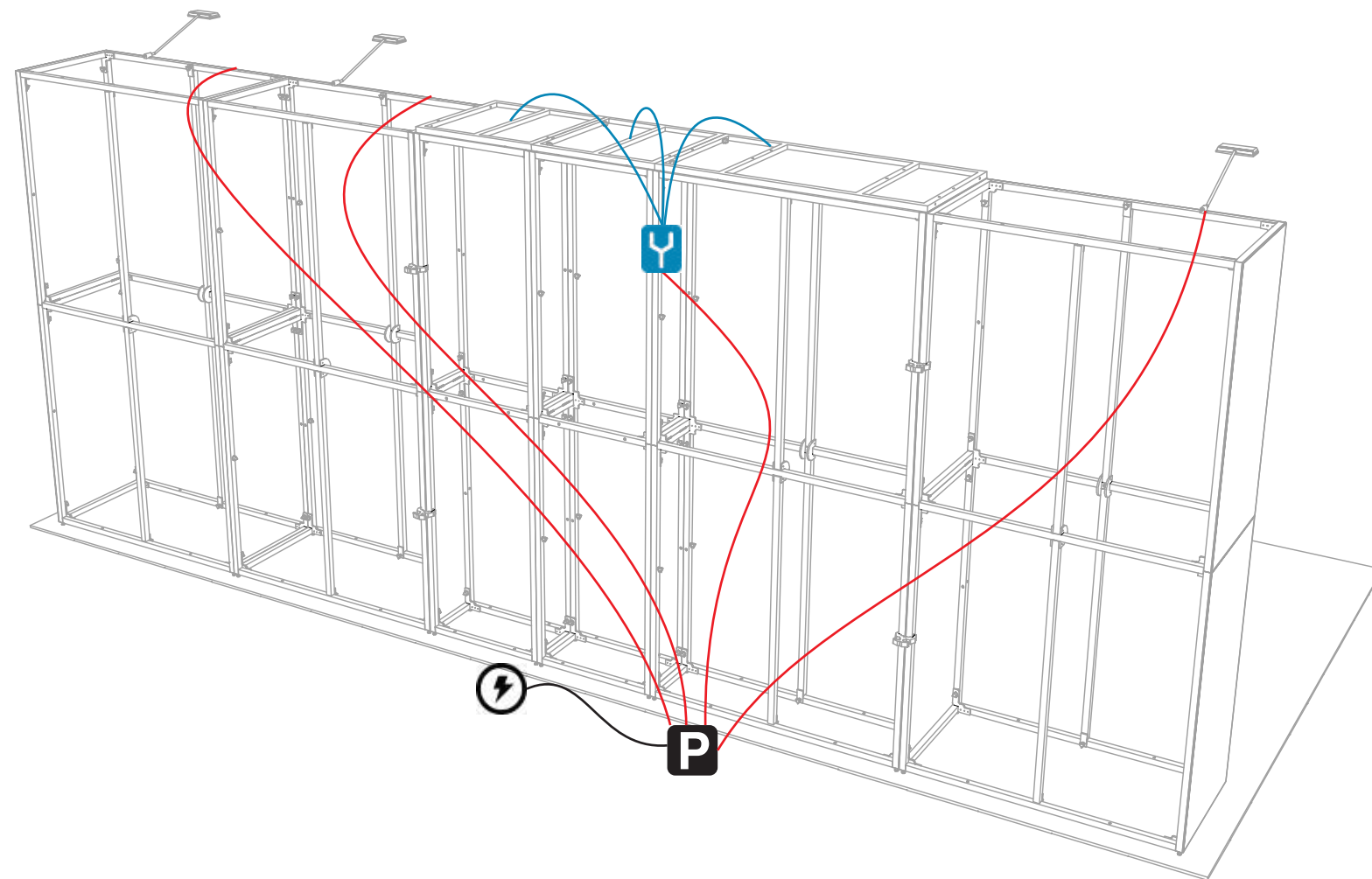
POWER ADAPTER
(PROVIDED)

**CONNECT ALL POWER PLUGS
TO MULTIPLE ENDS OF POWER "SQUID"**



POWER "SQUID"
(PROVIDED)

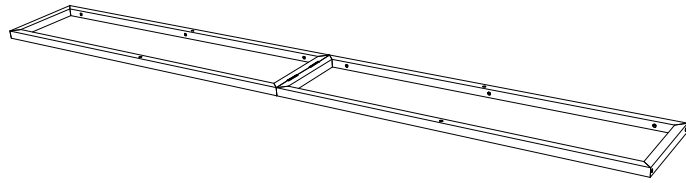
	POWER ADAPTER CORD
	EXTENSION CORD
	TV POWER CORD
	POWER "SQUID"
	POWER DROP



PARTS LIST		
QNTY	LABEL	NAME
1	LVH1	LEFT VERTICAL HINGED
1	RVH1	RIGHT VERTICAL HINGED
2	BH1	BOTTOM HORIZONTAL
2	MH1	MIDDLE HORIZONTAL
2	TH1	TOP HORIZONTAL
2	CVH1	CENTER VERTICAL HINGED
20	GRN	1" GREEN THUMB SCREW
4	RED	2" RED THUMB SCREW

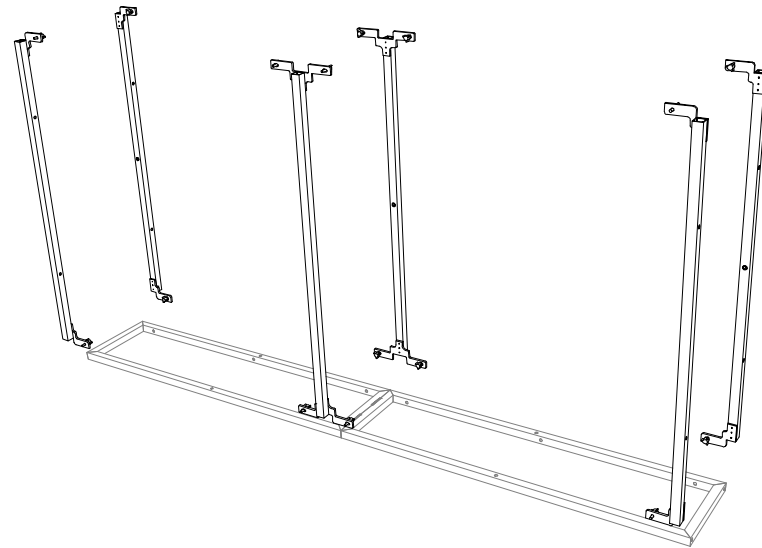
1st Step)

START WITH THE LEFT VERTICAL HINGED (LVH1) ON THE GROUND



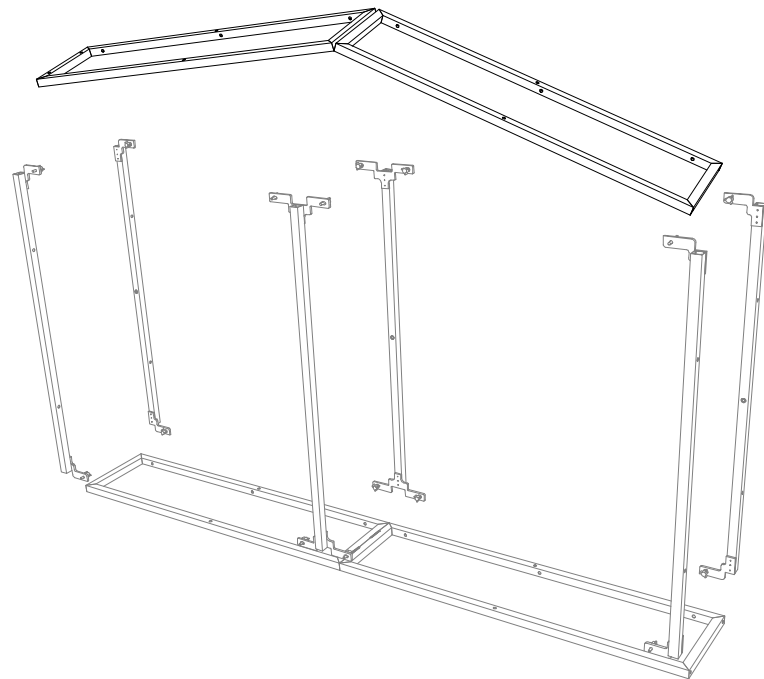
2nd Step)

ATTACH THE (2) TOP HORIZONTAL (TH1), THE (2) MIDDLE HORIZONTAL (MH1), AND THE (2) BOTTOM HORIZONTAL (BH1)



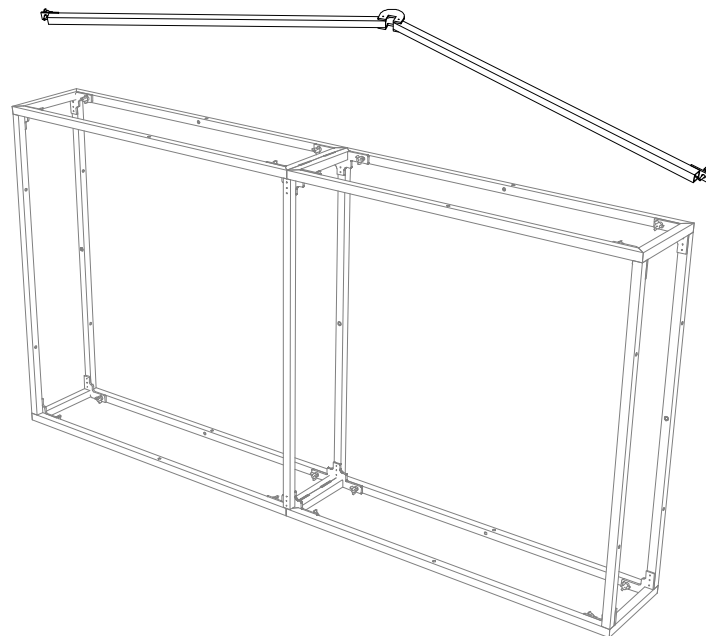
3rd Step)

ATTACH THE RIGHT HINGED SIDE (RVH1)

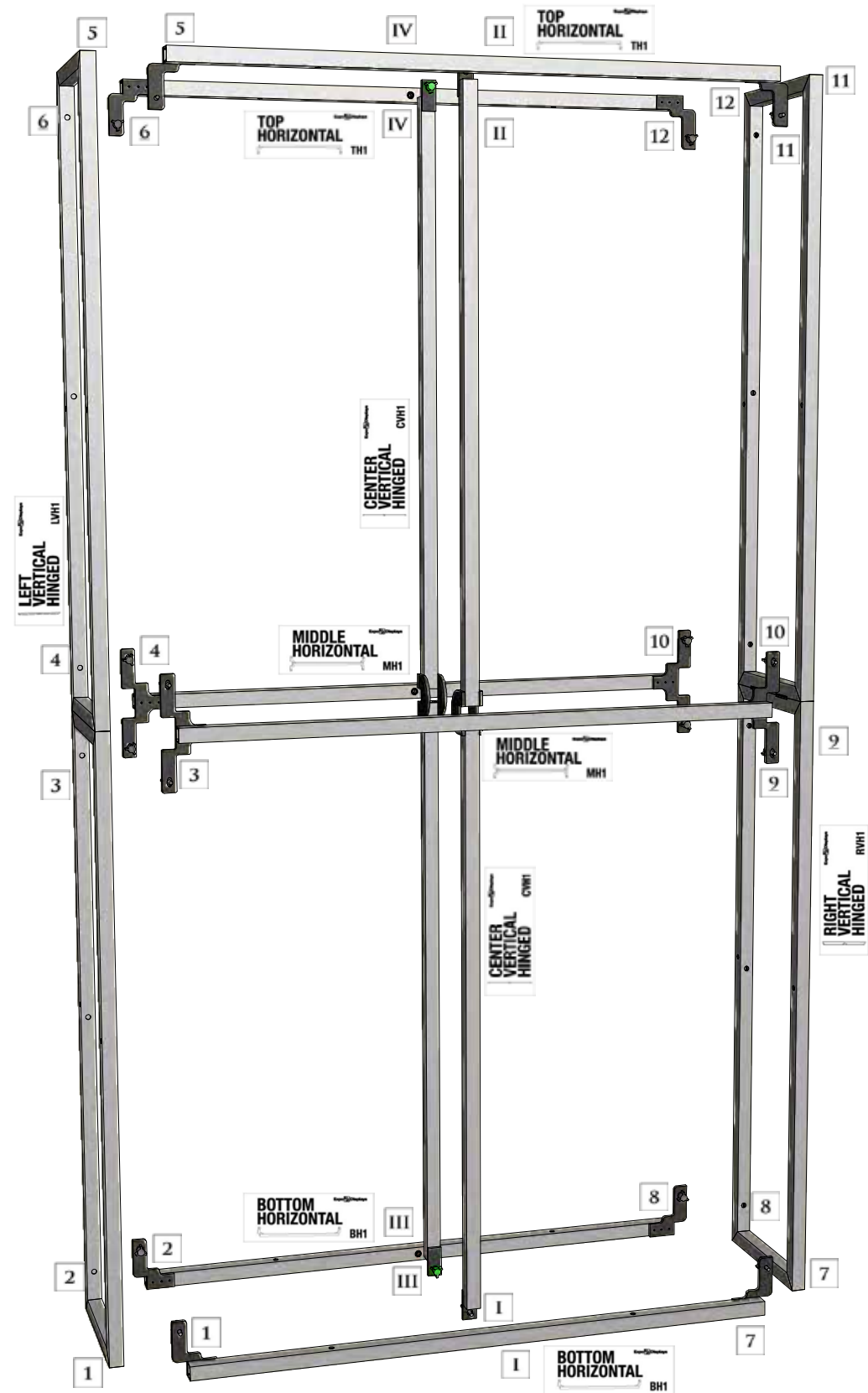


4th Step)

ATTACH THE (2) CENTER VERTICAL HINGED (CVH1) AND STAND UP-RIGHT



***MATCH NUMBERS TO CONSTRUCT**



MultiQuad®
The Last Exhibit You'll Ever Buy

3401 Mary Taylor Road
Birmingham, Alabama 35235
(205) 439-8200

Drawn By: AKHIII

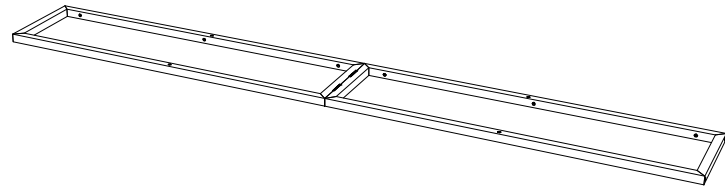
THIS PART USED TO MAKE
MQ-F24
2x4 STANDARD FRAME

ASSEMBLY INSTRUCTIONS
2x4 STANDARD FRAME
MQ-F24

APPENDIX B

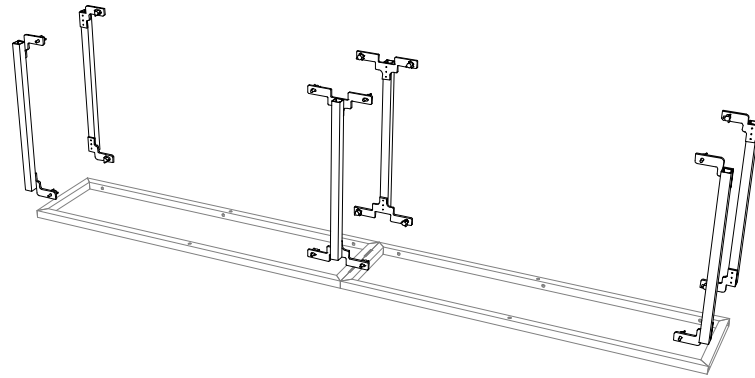
1st Step)

START WITH THE LEFT VERTICAL HINGED (LVH1) ON THE GROUND



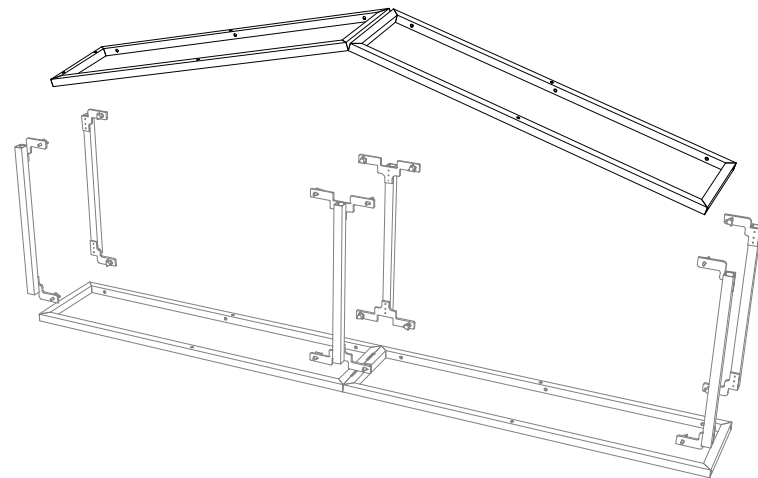
2nd Step)

ATTACH THE (2) TOP HORIZONTAL (TH2), THE (2) MIDDLE HORIZONTAL (MH2), AND THE (2) BOTTOM HORIZONTAL (BH2)



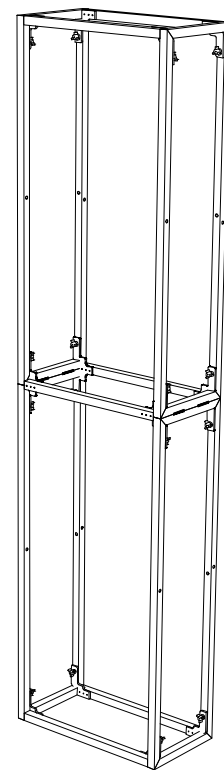
3rd Step)

ATTACH THE RIGHT HINGED SIDE (RVH1)



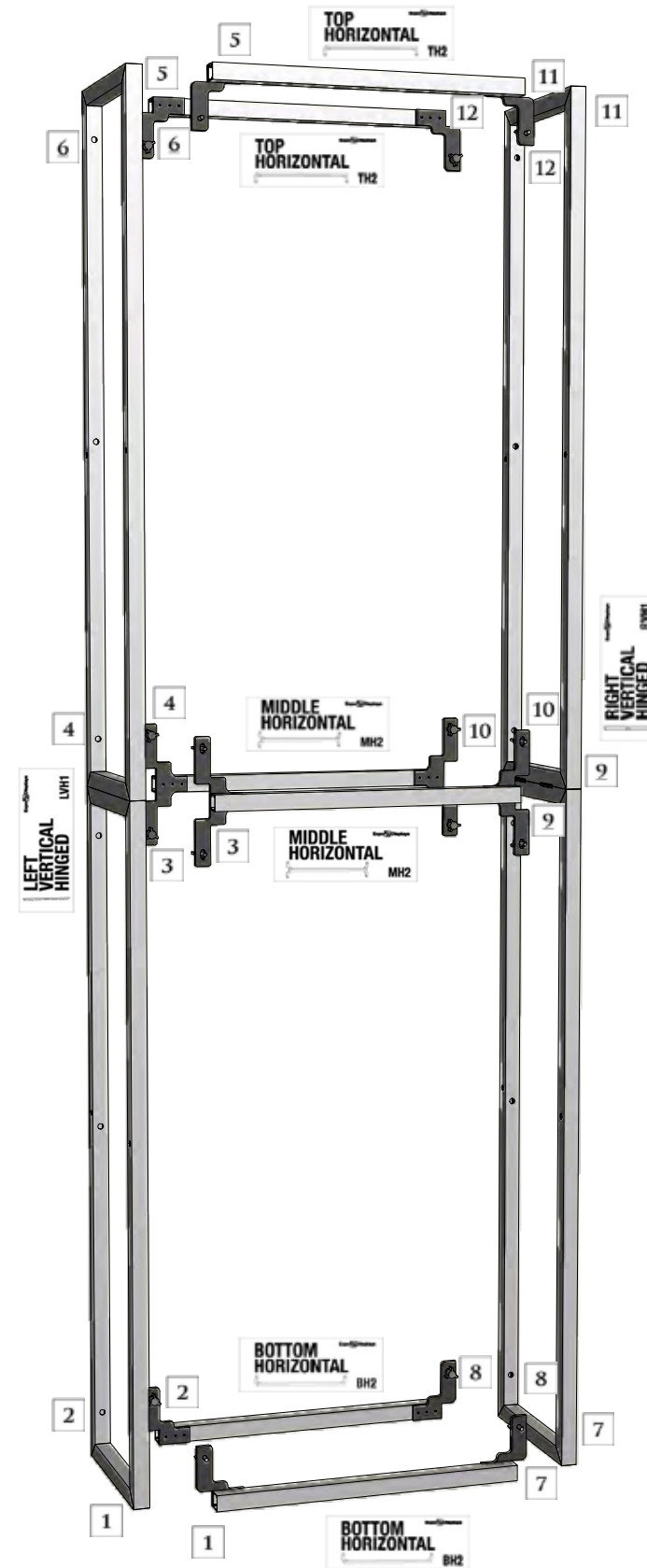
4th Step)

STAND UP-RIGHT



***MATCH NUMBERS TO CONSTRUCT**

PARTS LIST		
QNTY	LABEL	NAME
1	LVH1	LEFT VERTICAL HINGED
1	RVH1	RIGHT VERTICAL HINGED
2	BH2	BOTTOM HORIZONTAL
2	MH2	MIDDLE HORIZONTAL
2	TH2	TOP HORIZONTAL
16	GRN	1" GREEN THUMB SCREW
4	RED	2" RED THUMB SCREW



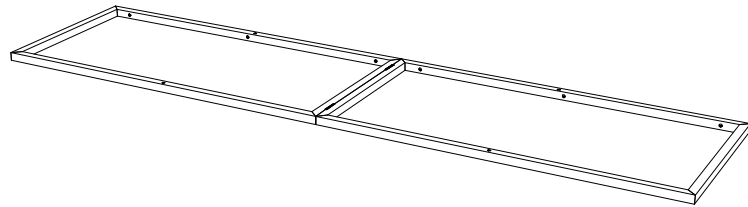
THIS PART USED TO MAKE
MQ-F14
 1x4 STANDARD FRAME

ASSEMBLY INSTRUCTIONS
 1x4 STANDARD FRAME
 MQ-F14

PARTS LIST		
QNTY	LABEL	NAME
1	LVHX	LEFT VERTICAL HINGED
1	RVHX	RIGHT VERTICAL HINGED
2	BH1	BOTTOM HORIZONTAL
2	MH1	MIDDLE HORIZONTAL
2	TH1	TOP HORIZONTAL
2	CVH1	CENTER VERTICAL HINGED
20	GRN	1" GREEN THUMB SCREW
4	RED	2" RED THUMB SCREW

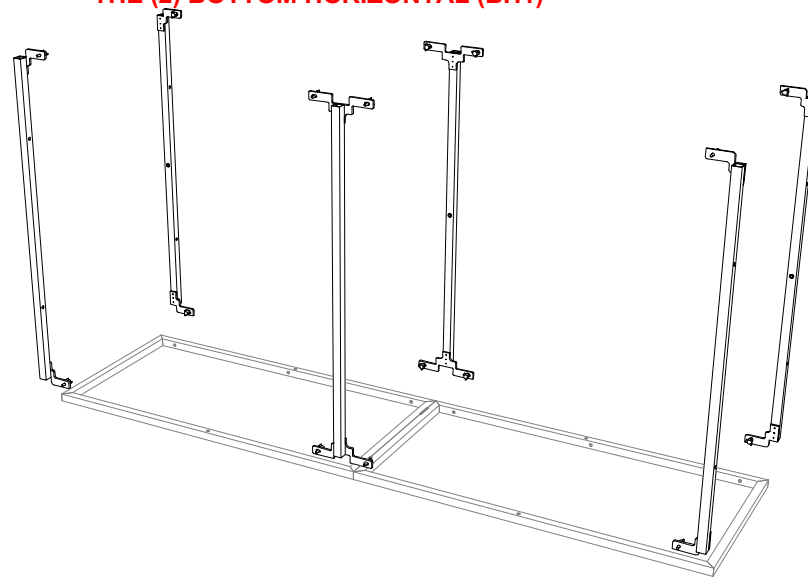
1st Step)

START WITH THE LEFT VERTICAL (LVHX) ON THE GROUND



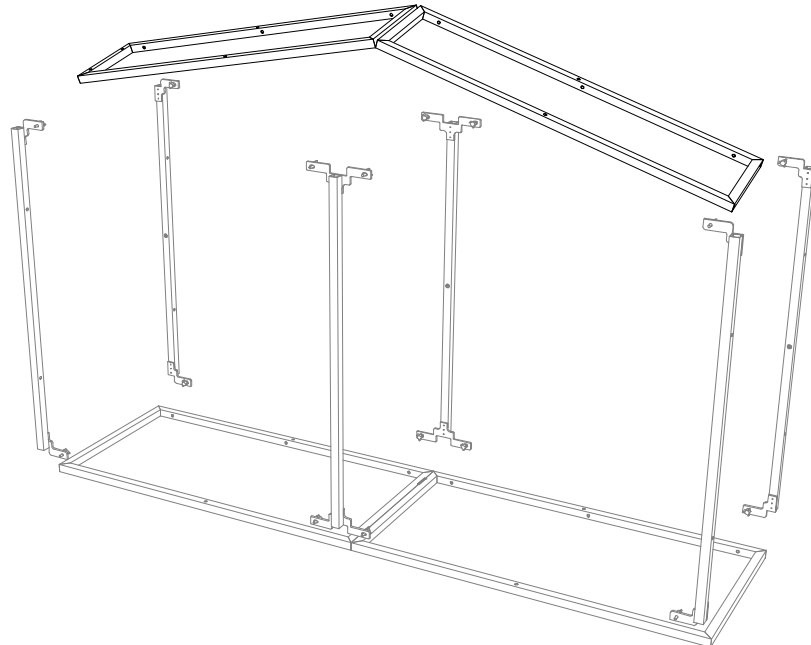
2nd Step)

ATTACH THE (2) TOP HORIZONTAL (TH1), THE (2) MIDDLE HORIZONTAL (MH1), AND THE (2) BOTTOM HORIZONTAL (BH1)



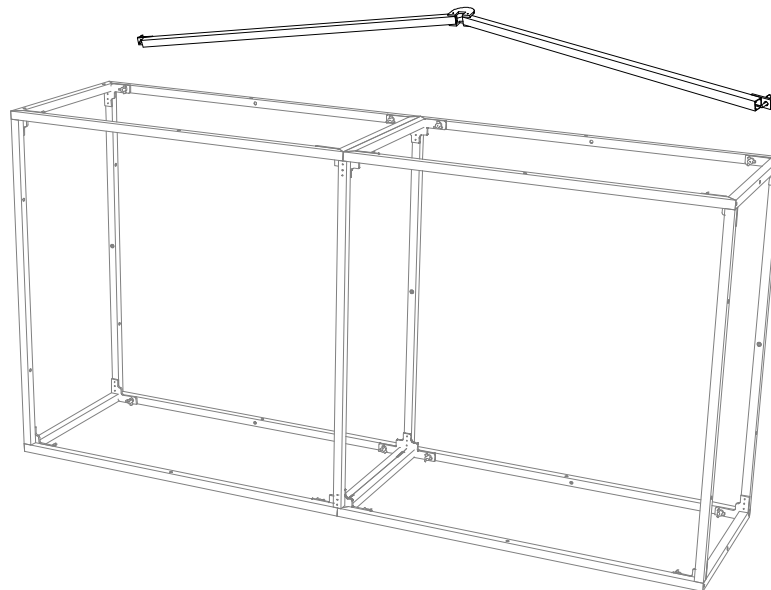
3rd Step)

ATTACH THE RIGHT HINGED SIDE (RVH1)



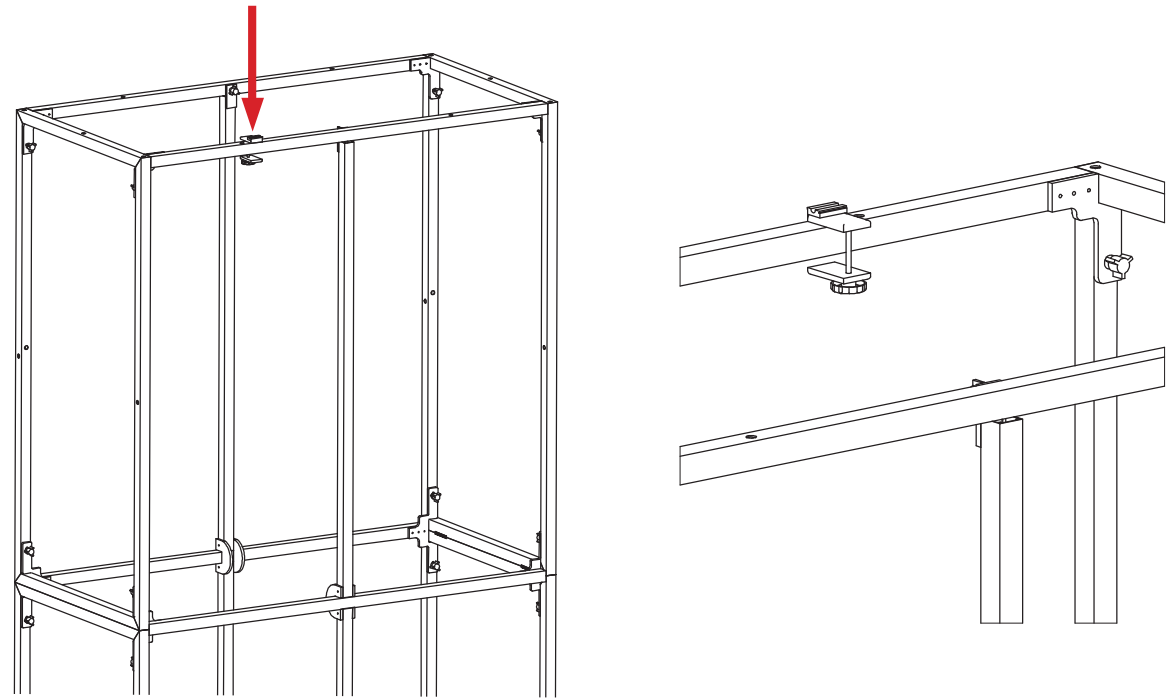
4th Step)

ATTACH THE (2) CENTER VERTICAL HINGED (CVH1) AND STAND UP-RIGHT



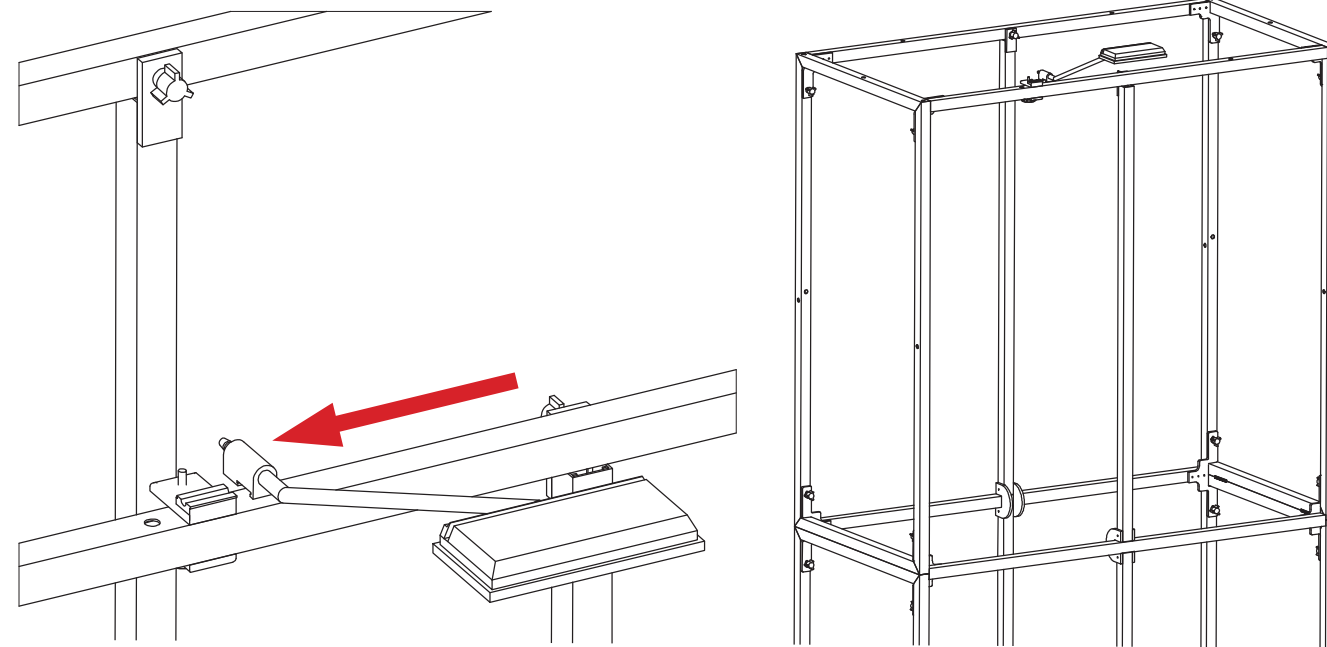
*MATCH NUMBERS TO CONSTRUCT





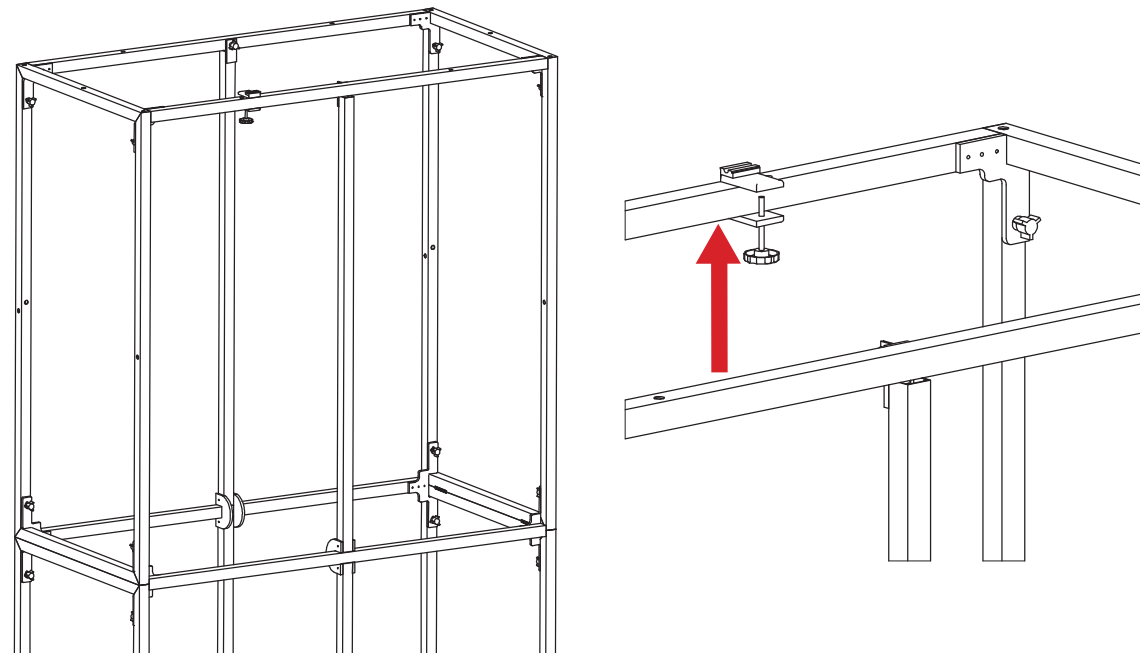
(1)

INSTALL (1) PRESSURE CLAMP BRACKET ON TOP OF FRAMES WHERE SHOWN



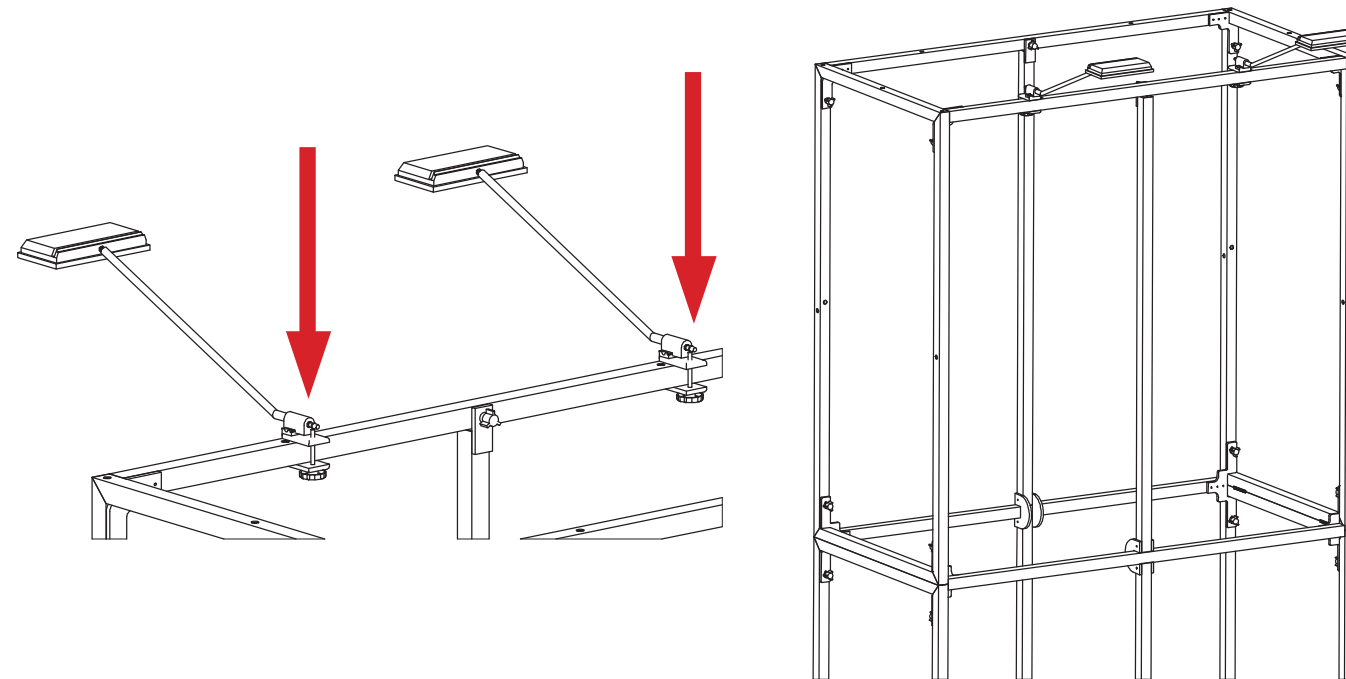
(3)

SLIDE LONG ARM WITH LIGHT INTO GROOVE ATTACHED TO BRACKET



(2)

SCREW BOLT THROUGH TO TIGHTEN PRESSURE CLAMP



(4)

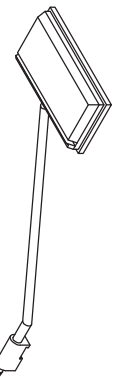
REPEAT STEPS TO INSTALL (2) "WALL WASHERS" ON TOP OF FRAMES AS SHOWN IF NEEDED



MultiQuad®
The Last Exhibit You'll Ever Buy

3401 Mary Taylor Road
Birmingham, Alabama 35235
(205) 439-8200

Drawn By: CASS



Sheet Title

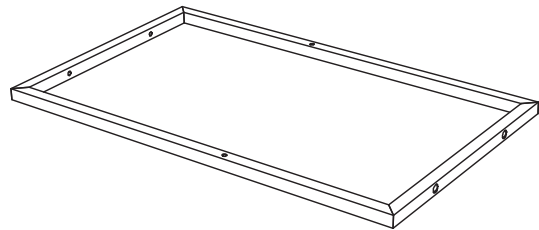
ASSEMBLY INSTRUCTIONS
WALL WASHER LIGHT INSTALLATION

APPENDIX P-2

MQX-F12 PODIUM FRAME ASSEMBLY

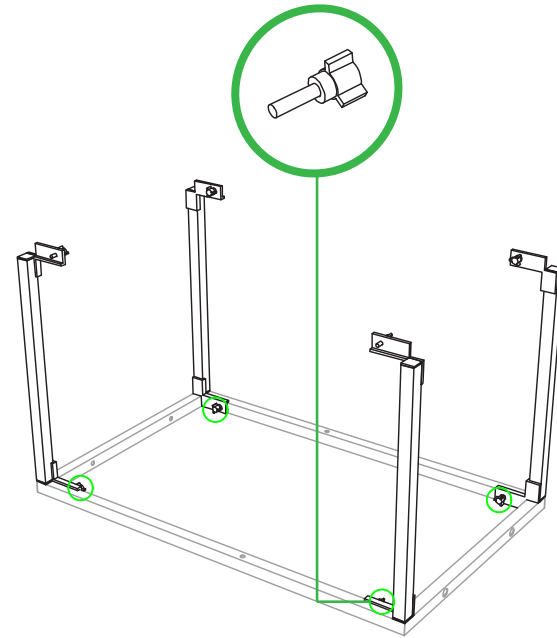
1

START WITH THE LEFT VERTICAL (LVRX) ON THE GROUND



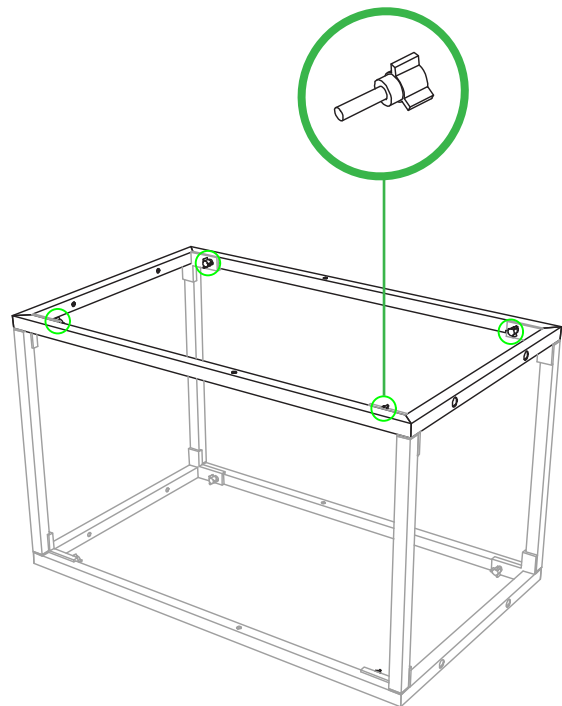
2

ATTACH (2) TOP HORIZONTAL (TH2) AND (2) BOTTOM HORIZONTAL (BH2) WITH GREEN THUMBSCREWS



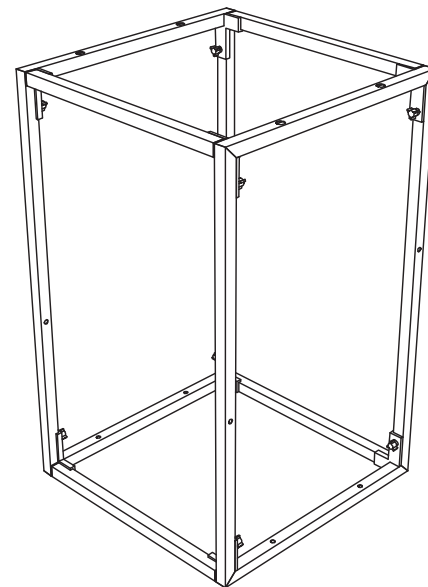
3

ATTACH RIGHT VERTICAL (RVR1) WITH GREEN THUMBSCREWS



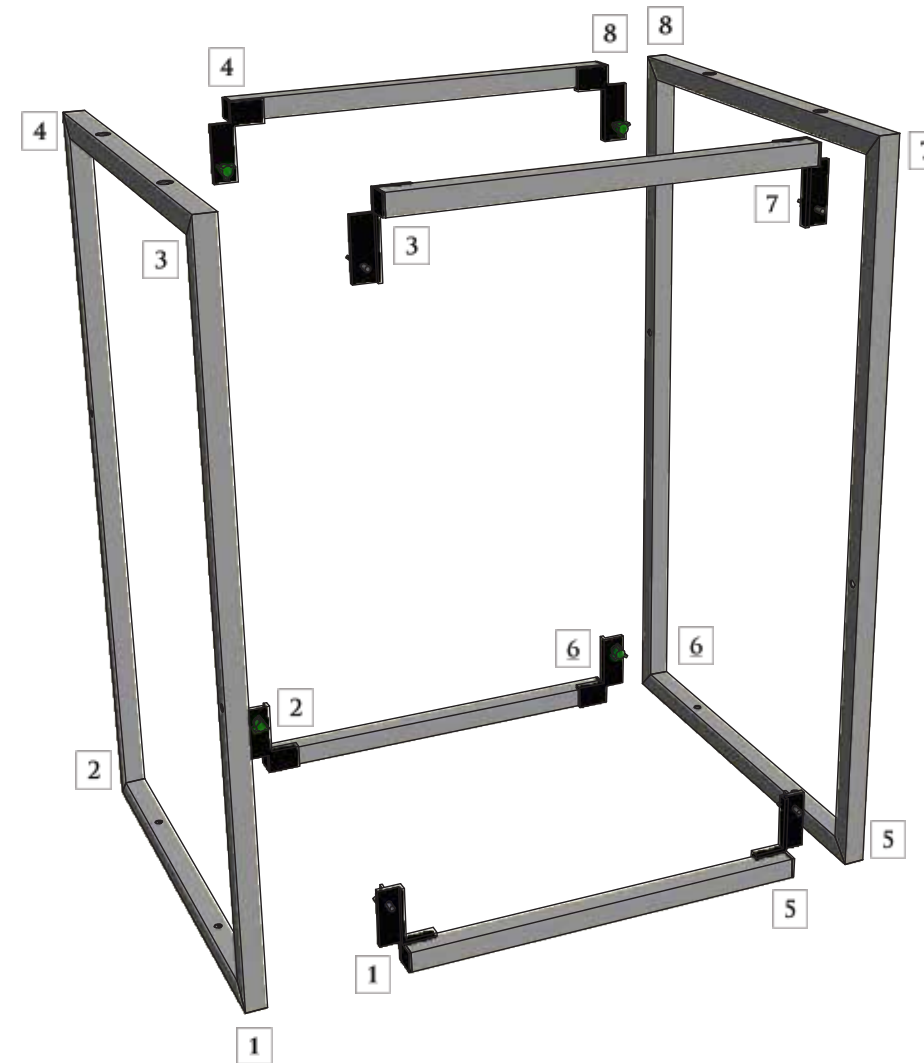
4

STAND ASSEMBLED FRAME UPRIGHT



* MATCH NUMBERS SHOWN FOR ASSEMBLY

Parts List		
QTY	LABEL	NAME
1	LVRX	LEFT VERTICAL
2	TH2	TOP HORIZONTAL
2	BH2	BOTTOM HORIZONTAL
1	RVRX	RIGHT VERTICAL
8	GREEN	GREEN THUMBSCREW



MultiQuad
The Last Exhibit You'll Ever Buy

3401 Mary Taylor Road
Birmingham, Alabama 35235
(205) 439-8200

Drawn By: CASS

THIS PART USED TO MAKE
MQX-F12
1x2 MAX FRAME

Sheet Title

**ASSEMBLY
INSTRUCTIONS
MQX-F12 PODIUM
FRAME ASSEMBLY**

Appendix V-2