

# PRELIMINARY GRAPHIC LAYOUT



3401 Mary Taylor Road  
Birmingham, Alabama 35235  
(205) 439-8200

Job #: RV-WK42

Date: 9.28.2020

Drawn By: CASS

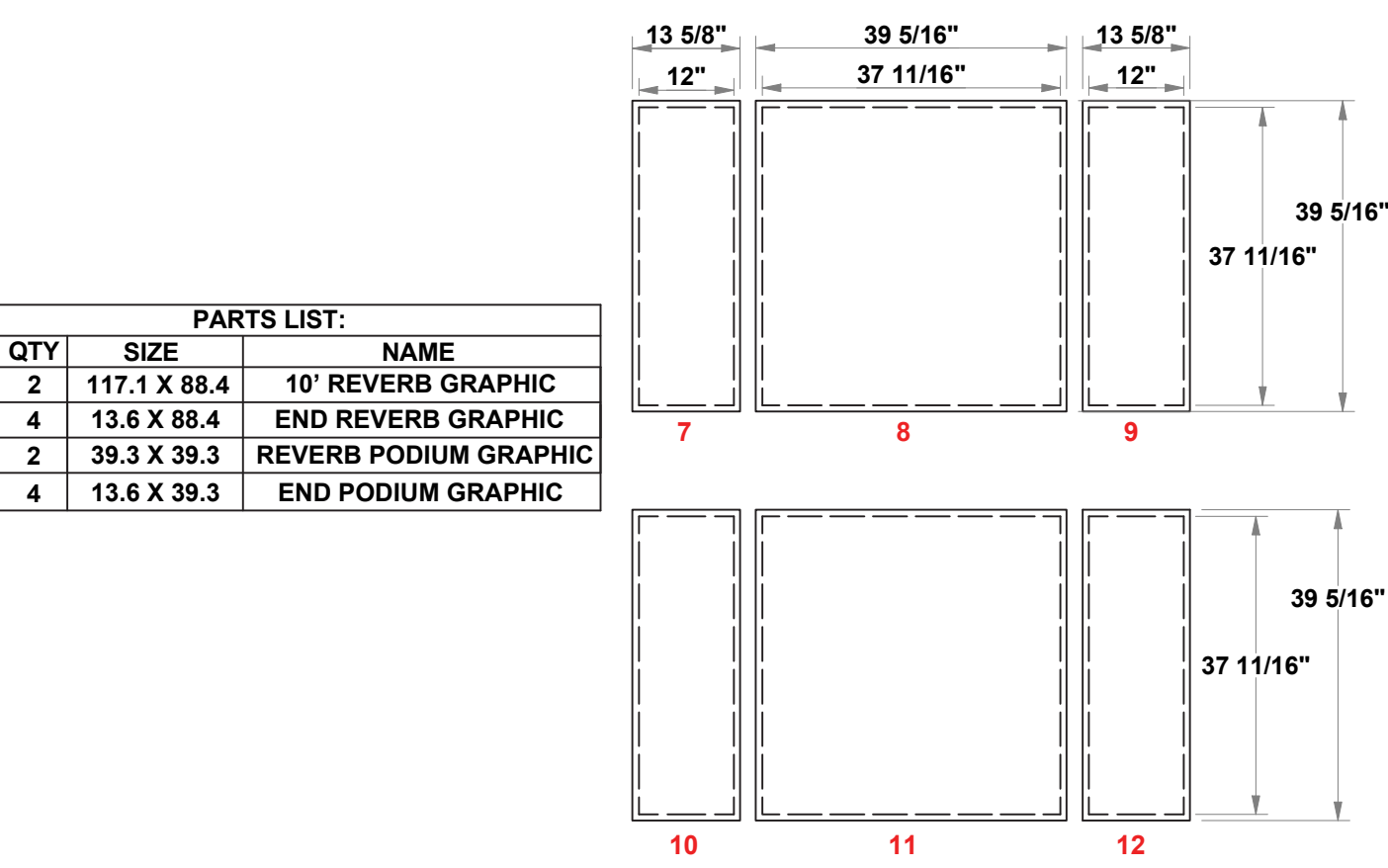
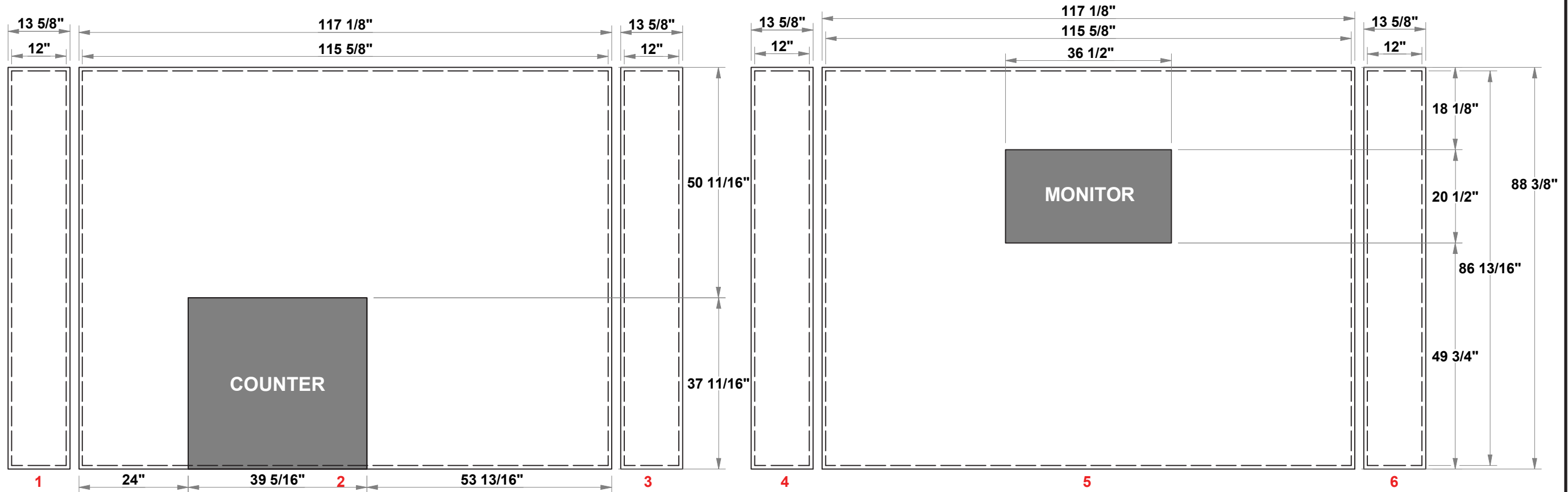
Project Title

**KIT-RV-WK42**

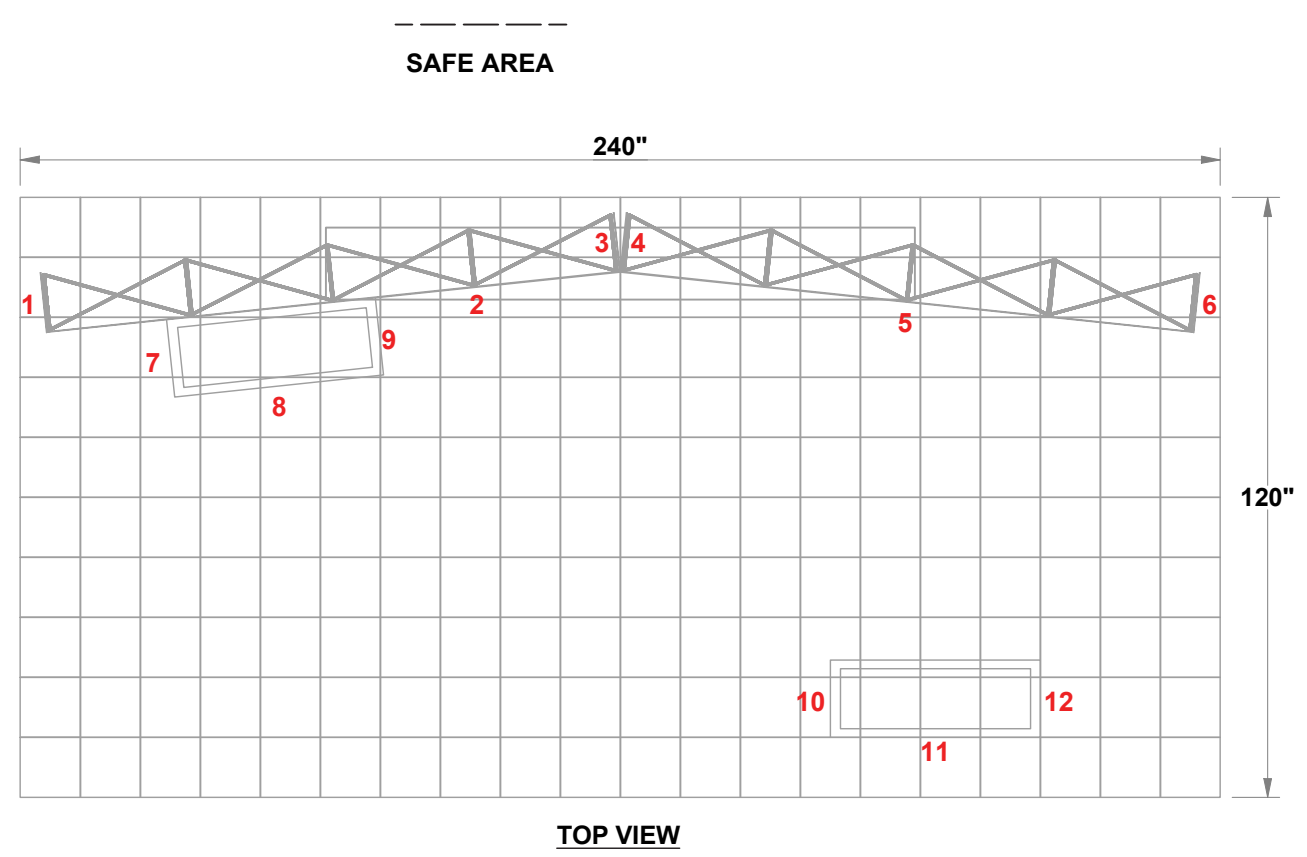
**10x20 REVERB**

Sheet Title

**PRELIMINARY  
GRAPHICS LAYOUT**



PARTS LIST:		
QTY	SIZE	NAME
2	117.1 X 88.4	10' REVERB GRAPHIC
4	13.6 X 88.4	END REVERB GRAPHIC
2	39.3 X 39.3	REVERB PODIUM GRAPHIC
4	13.6 X 39.3	END PODIUM GRAPHIC



TOP VIEW