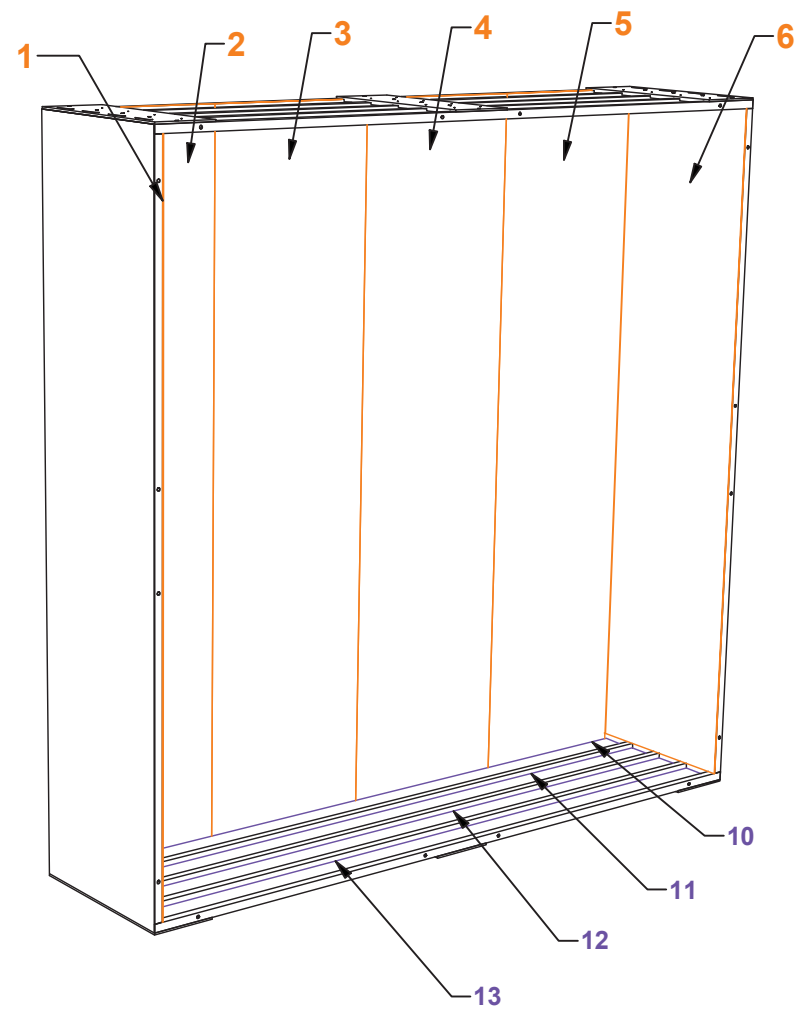


PRELIMINARY GRAPHIC LAYOUT

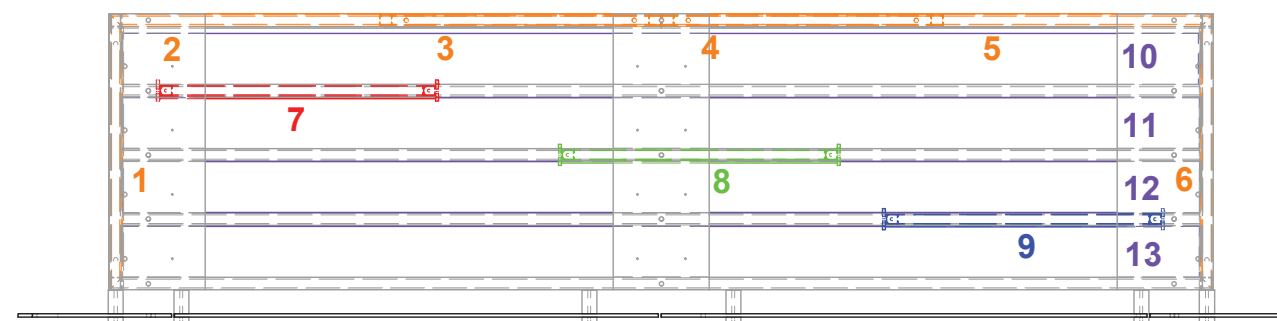
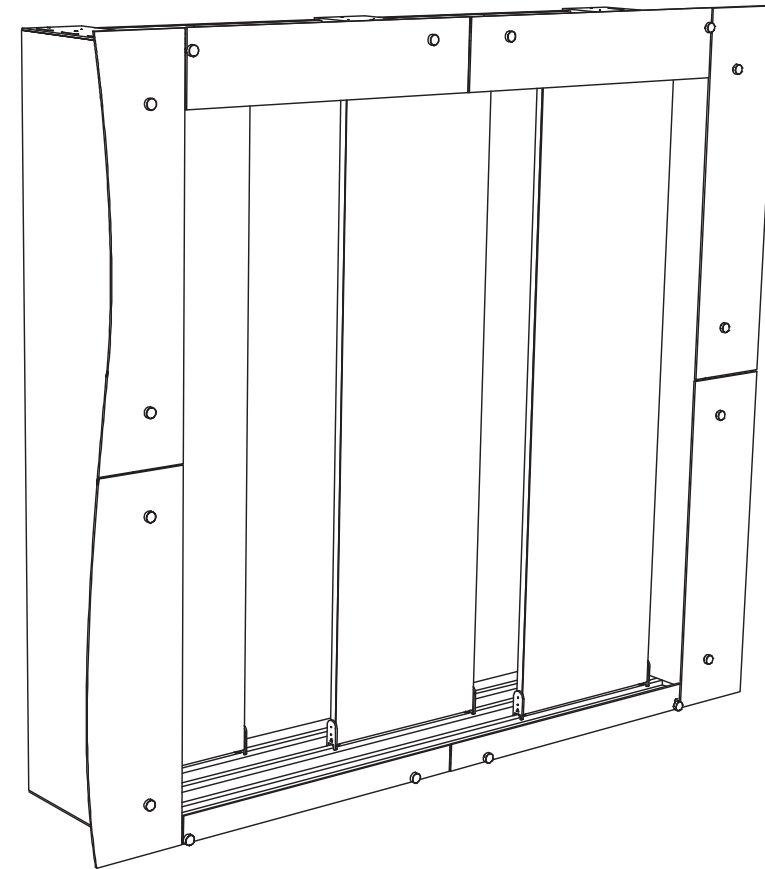
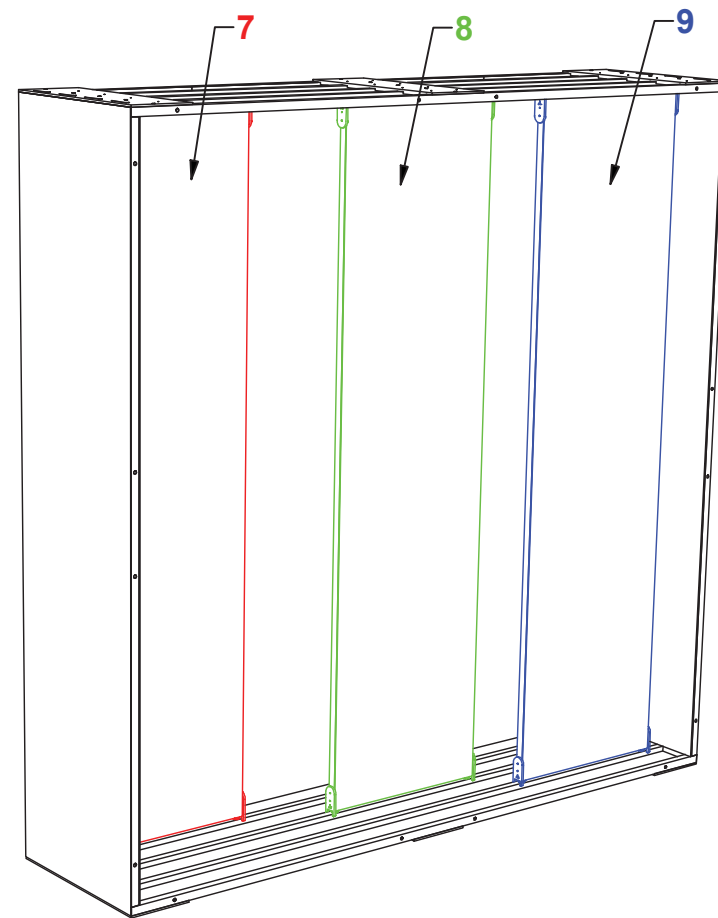
LEVEL

3401 Mary Taylor Road
Birmingham, Alabama 35235
(205) 439-8200

KIT-LV-WK36



PERSPECTIVE VIEW



TOP VIEW

Note: Side panel graphics should align with back wall graphics at the edge of the dashed borders on either side of the back wall.

10x10 LEVEL®

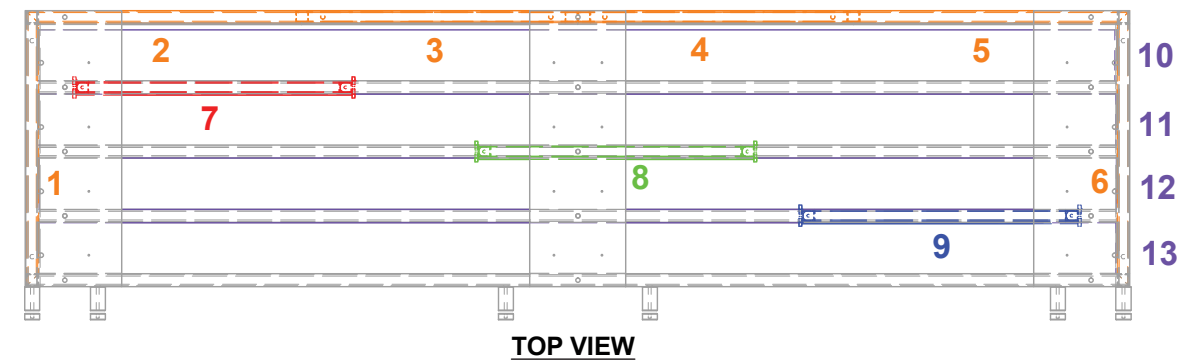
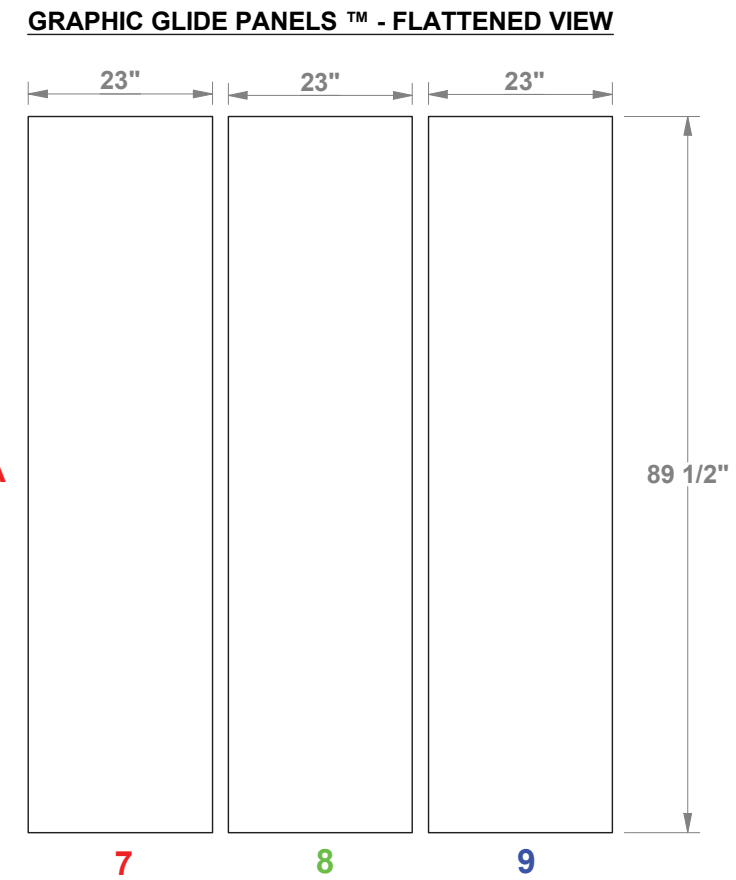
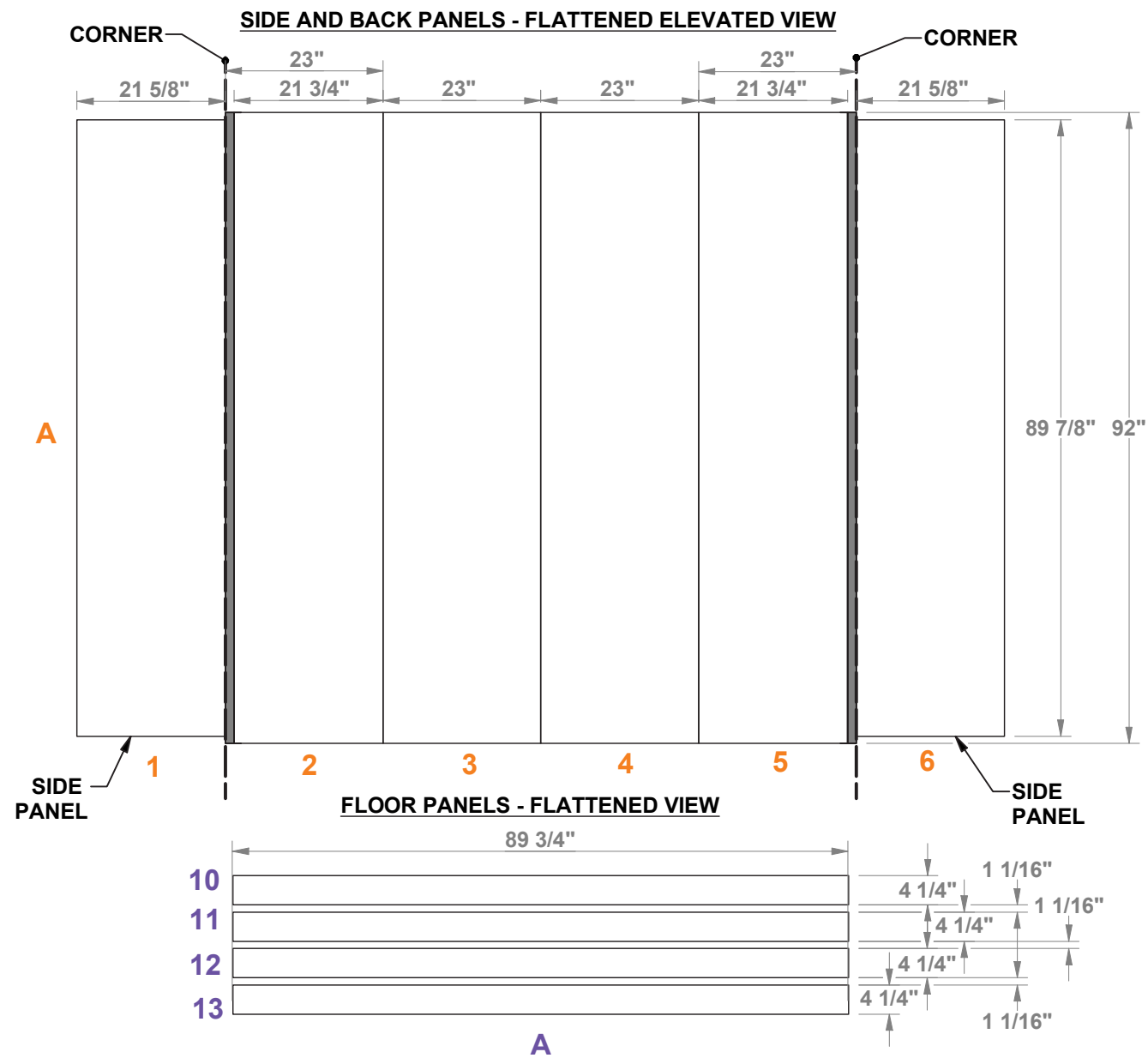
PRELIMINARY GRAPHIC LAYOUT

LEVEL

3401 Mary Taylor Road
Birmingham, Alabama 35235
(205) 439-8200

KIT-LV-WK36

10x10 LEVEL®



PARTS LIST:		
QTY	SIZE	NAME
4	23 X 92	BACK PANEL
2	21 5/8 X 89 7/8	SIDE PANEL
3	23 X 89 1/2	GRAPHIC GLIDE™ PANEL
4	89 3/4 x 4 1/4	FLOOR PANEL

Note: Side panel graphics should align with back wall graphics at the edge of the dashed borders on either side of the back wall.