

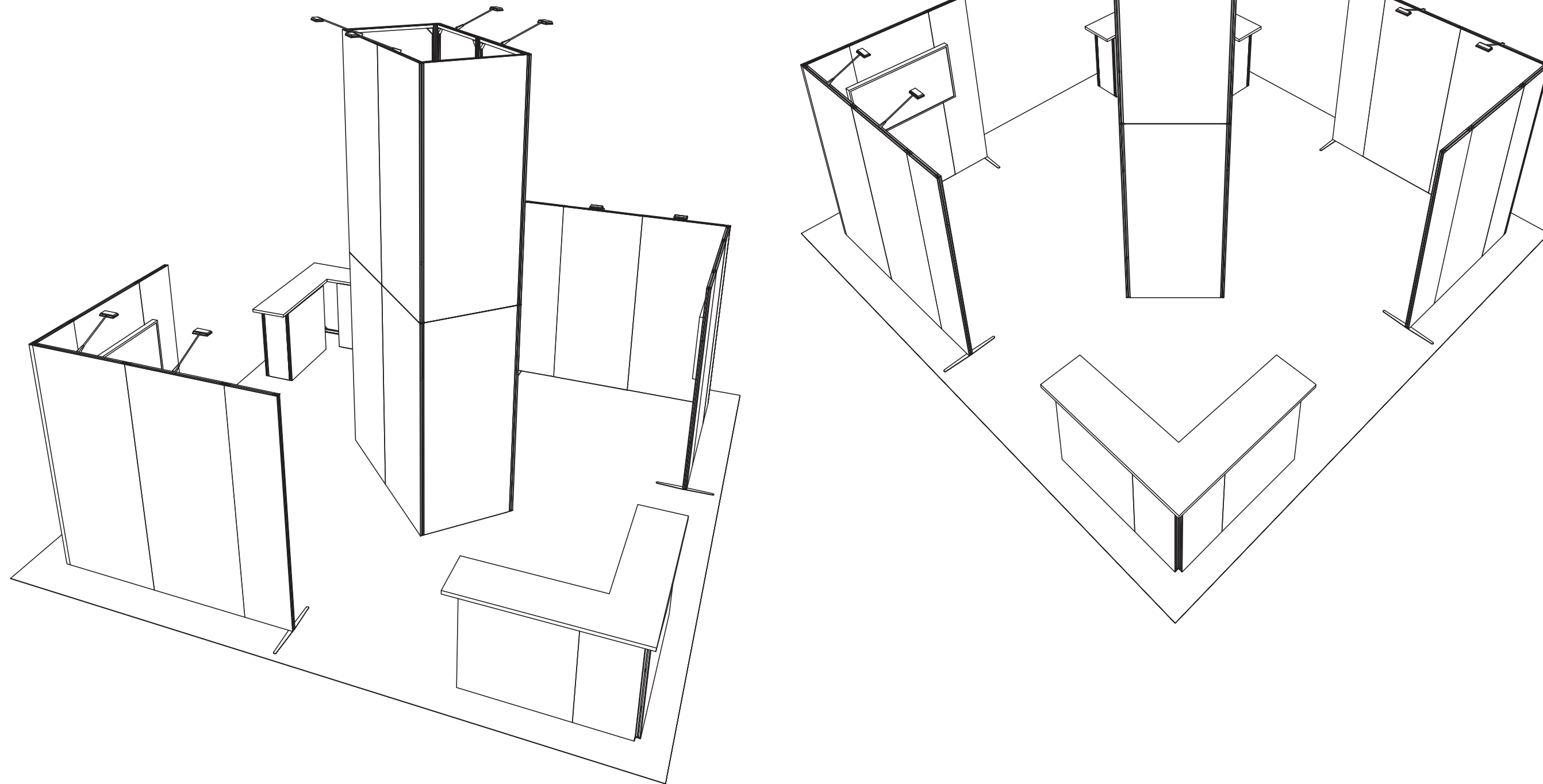
# PRELIMINARY GRAPHIC LAYOUT

panoramic<sup>®</sup>  
n-line

PARTS LIST:		
QTY	SIZE	NAME
24	38 X 93	TYPICAL GRAPHIC
12	19 X 93	HALF GRAPHIC
8	38 X 37.875	FRONT PODIUM GRAPHIC
4	12 X 37.875	SIDE PODIUM GRAPHIC
4	19 X 37.875	END PODIUM GRAPHIC

3401 Mary Taylor Road  
Birmingham, Alabama 35235  
(205) 439-8200

**KIT-HL-WK67**



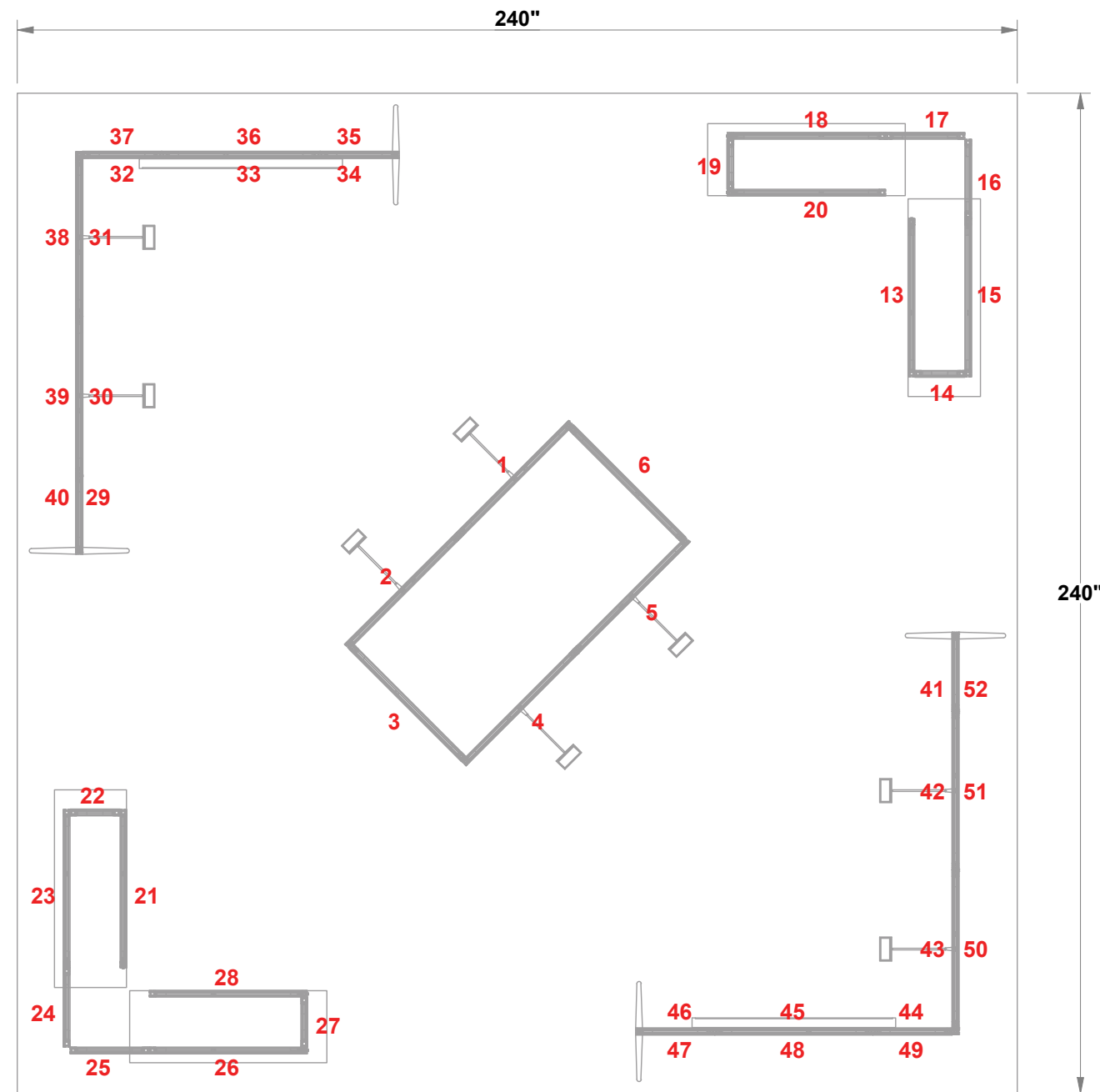
**20x20 H-Line**

# PRELIMINARY GRAPHIC LAYOUT



3401 Mary Taylor Road  
Birmingham, Alabama 35235  
(205) 439-8200

**KIT-HL-WK67**



**TOP VIEW**

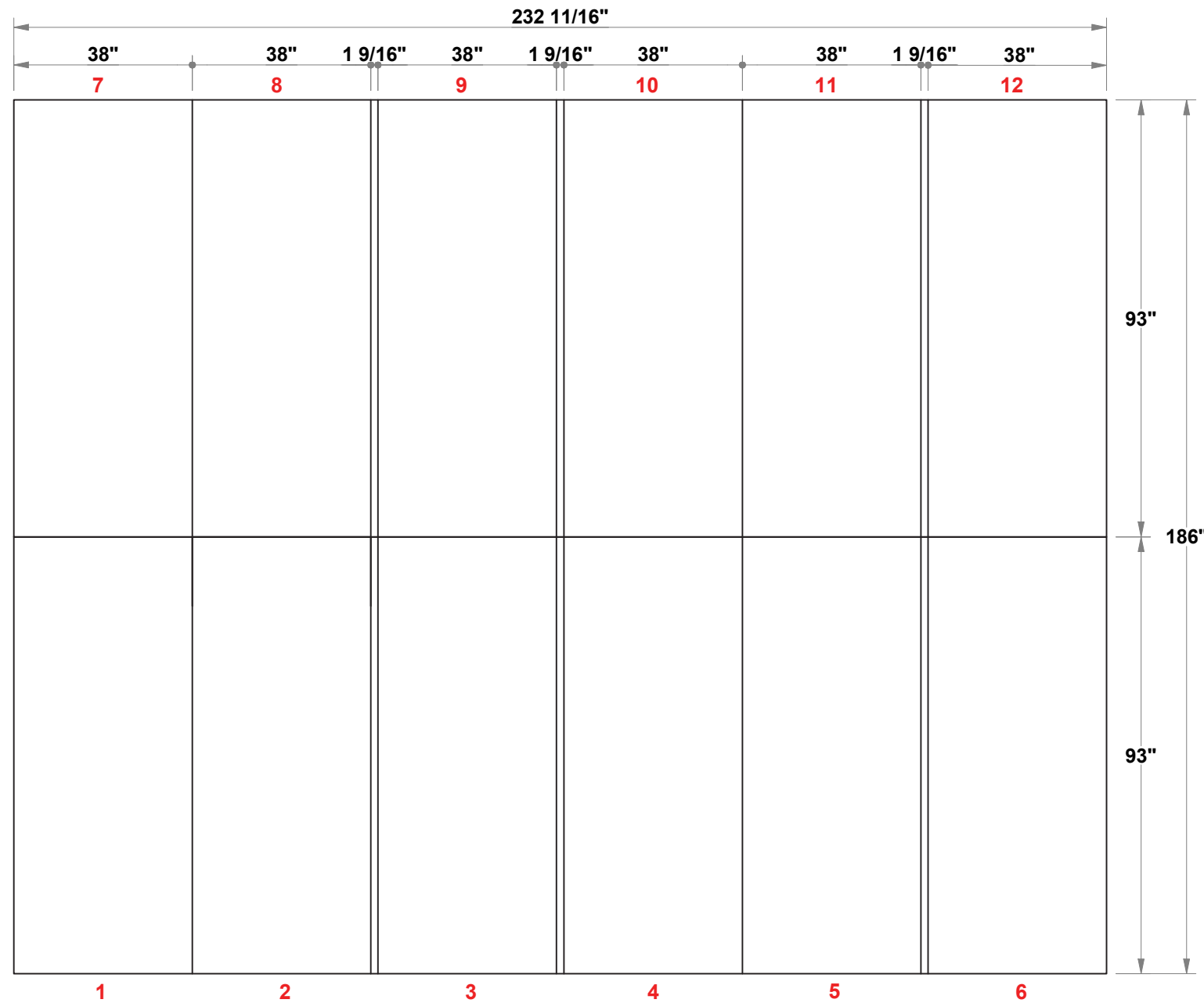
**20x20 H-Line**

# PRELIMINARY GRAPHIC LAYOUT

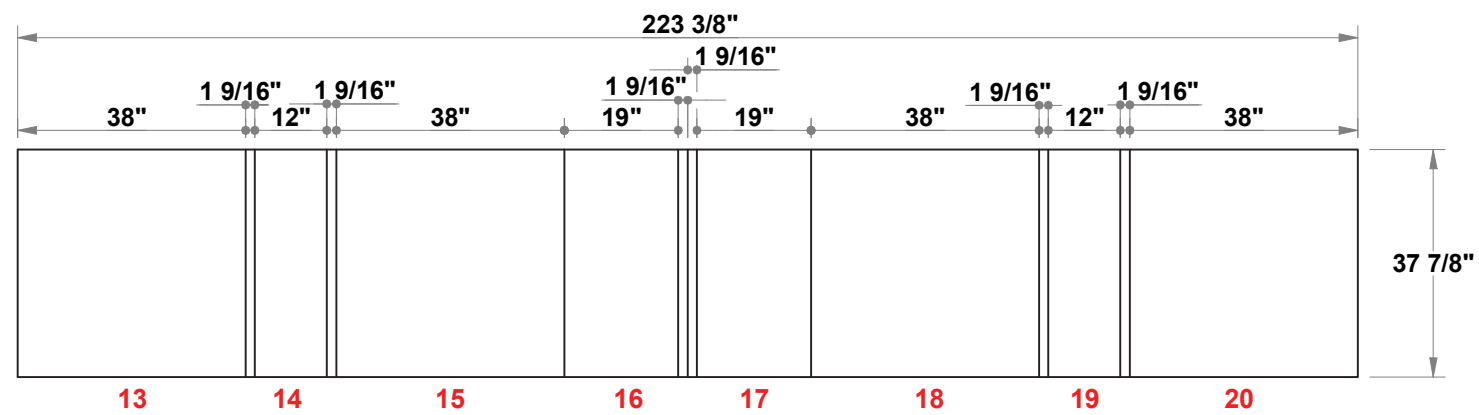


3401 Mary Taylor Road  
Birmingham, Alabama 35235  
(205) 439-8200

**KIT-HL-WK67**

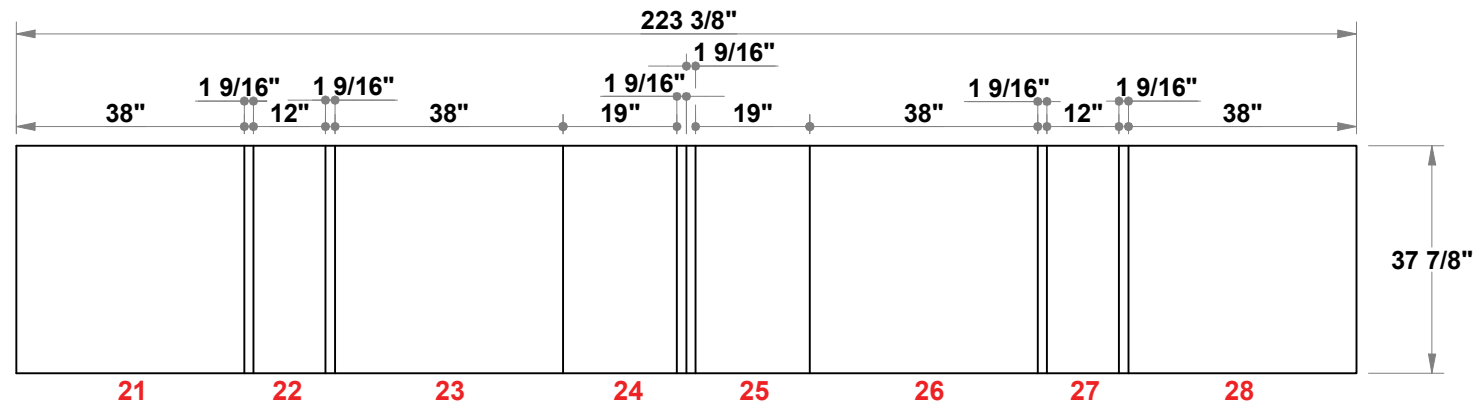


PARTS LIST:		
QTY	SIZE	NAME
24	38 X 93	TYPICAL GRAPHIC
12	19 X 93	HALF GRAPHIC
8	38 X 37.875	FRONT PODIUM GRAPHIC
4	12 X 37.875	SIDE PODIUM GRAPHIC
4	19 X 37.875	END PODIUM GRAPHIC

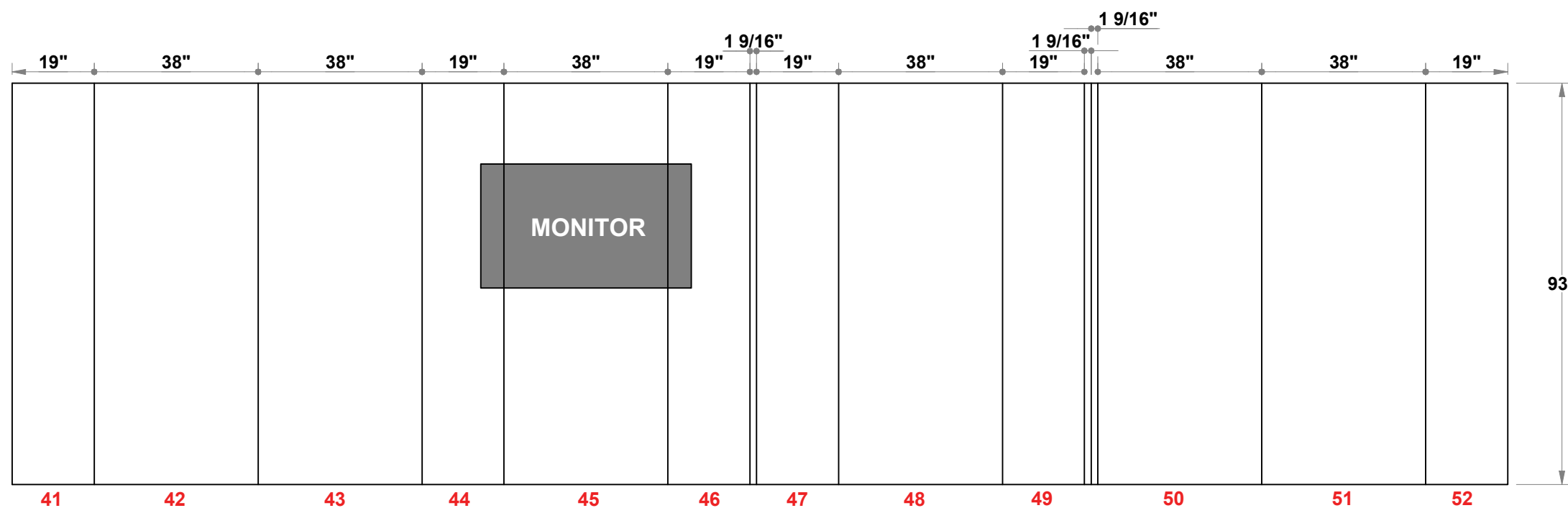
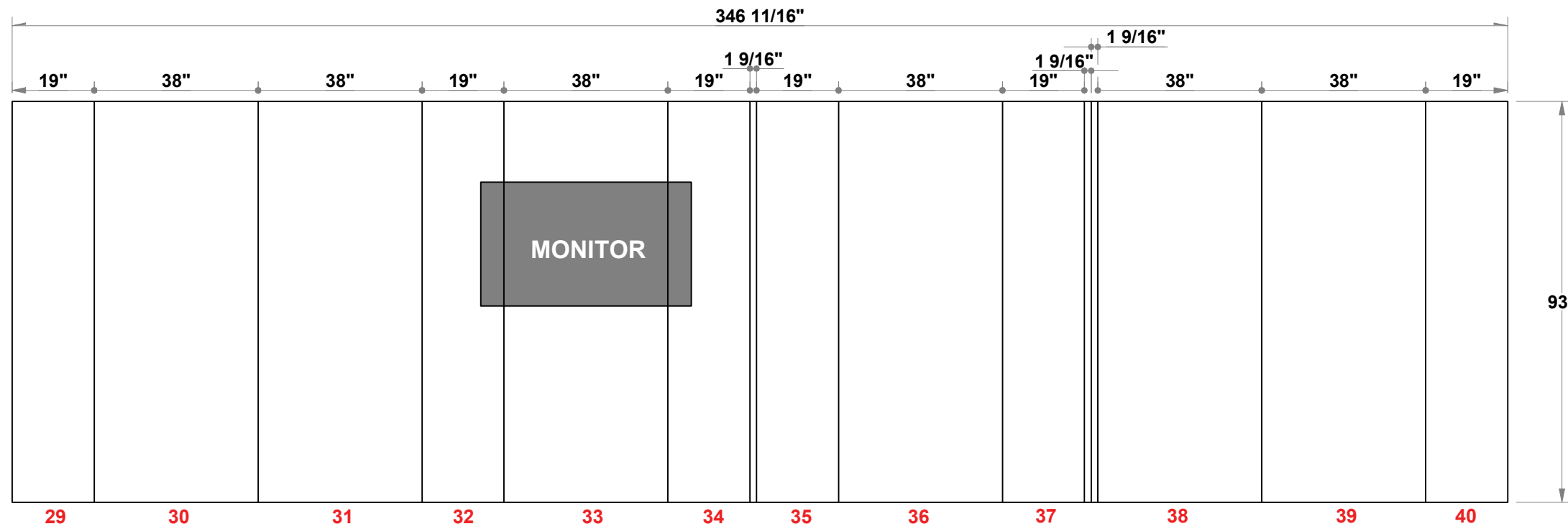


20x20 H-Line

# PRELIMINARY GRAPHIC LAYOUT



PARTS LIST:		
QTY	SIZE	NAME
24	38 X 93	TYPICAL GRAPHIC
12	19 X 93	HALF GRAPHIC
8	38 X 37.875	FRONT PODIUM GRAPHIC
4	12 X 37.875	SIDE PODIUM GRAPHIC
4	19 X 37.875	END PODIUM GRAPHIC



3401 Mary Taylor Road  
Birmingham, Alabama 35235  
(205) 439-8200

**KIT-HL-WK67**

**20x20 H-Line**