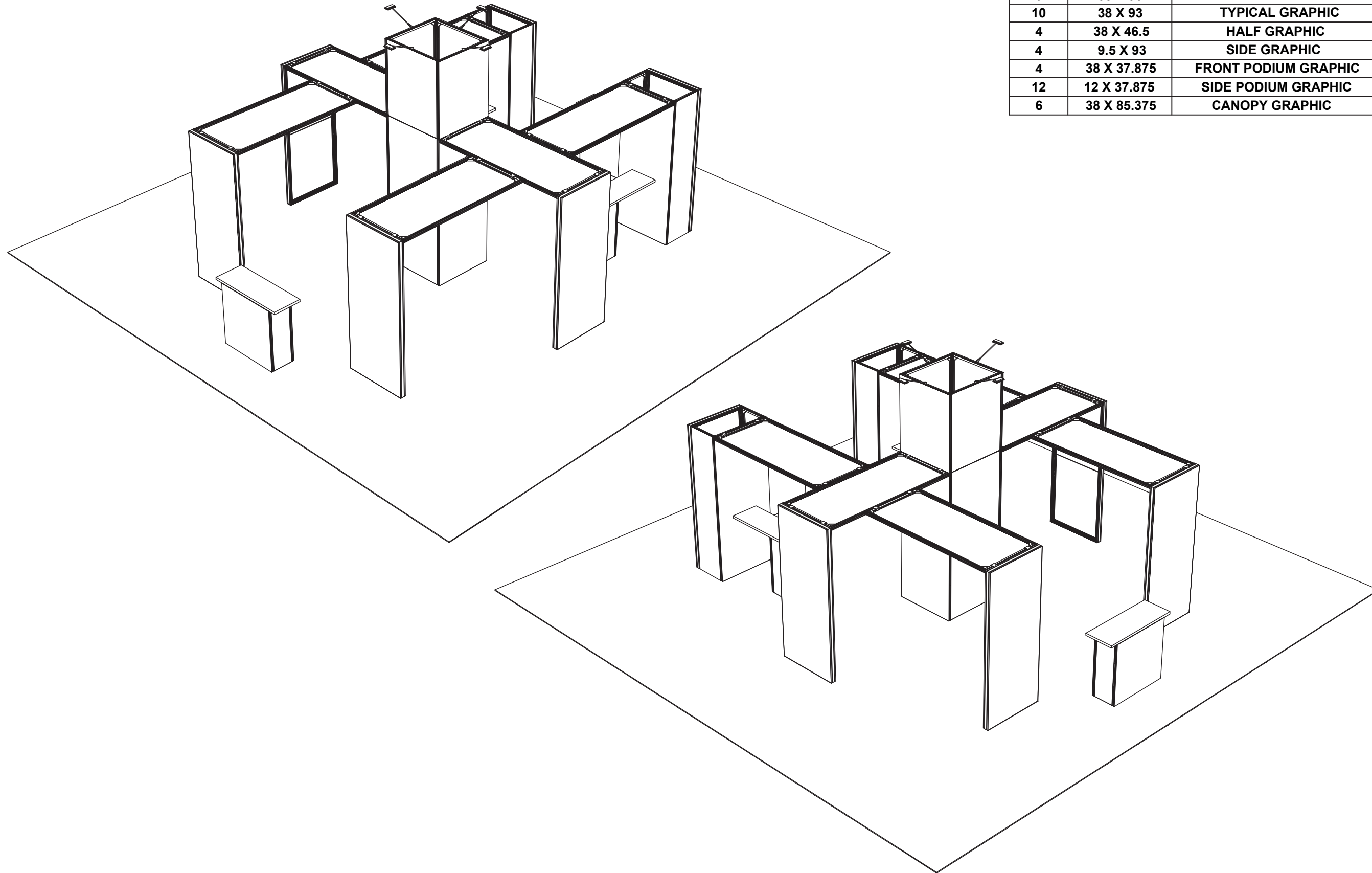


# PRELIMINARY GRAPHIC LAYOUT



PARTS LIST:		
QTY	SIZE	NAME
6	38 X 93	LIGHTBOX GRAPHIC
10	38 X 93	TYPICAL GRAPHIC
4	38 X 46.5	HALF GRAPHIC
4	9.5 X 93	SIDE GRAPHIC
4	38 X 37.875	FRONT PODIUM GRAPHIC
12	12 X 37.875	SIDE PODIUM GRAPHIC
6	38 X 85.375	CANOPY GRAPHIC

panoramic<sup>®</sup>  
n-line

3401 Mary Taylor Road  
Birmingham, Alabama 35235  
(205) 439-8200

**KIT-HL-WK89**

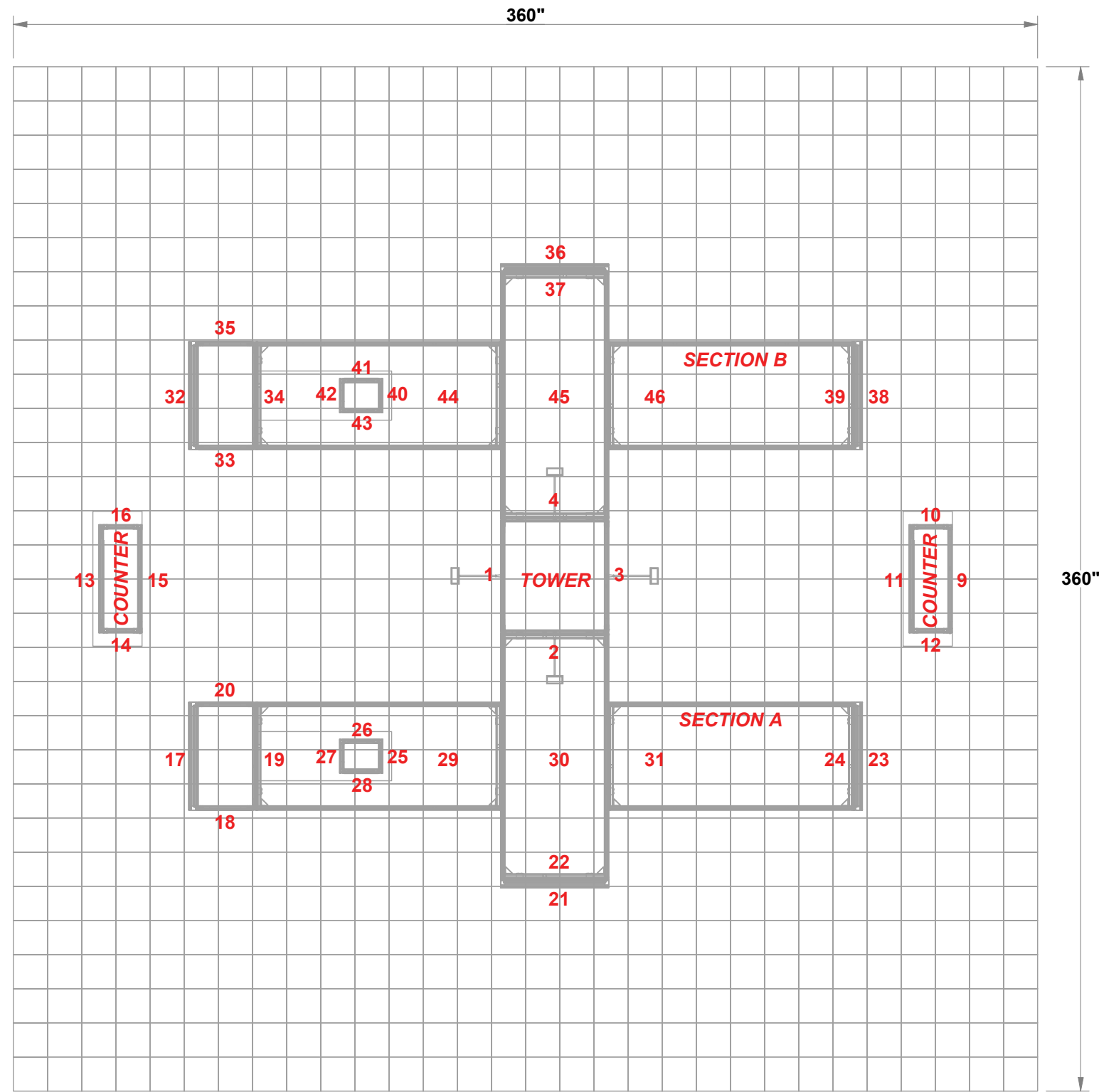
**30x30 H-Line**

# PRELIMINARY GRAPHIC LAYOUT



3401 Mary Taylor Road  
Birmingham, Alabama 35235  
(205) 439-8200

**KIT-HL-WK89**



TOP VIEW

30x30 H-Line

# PRELIMINARY GRAPHIC LAYOUT

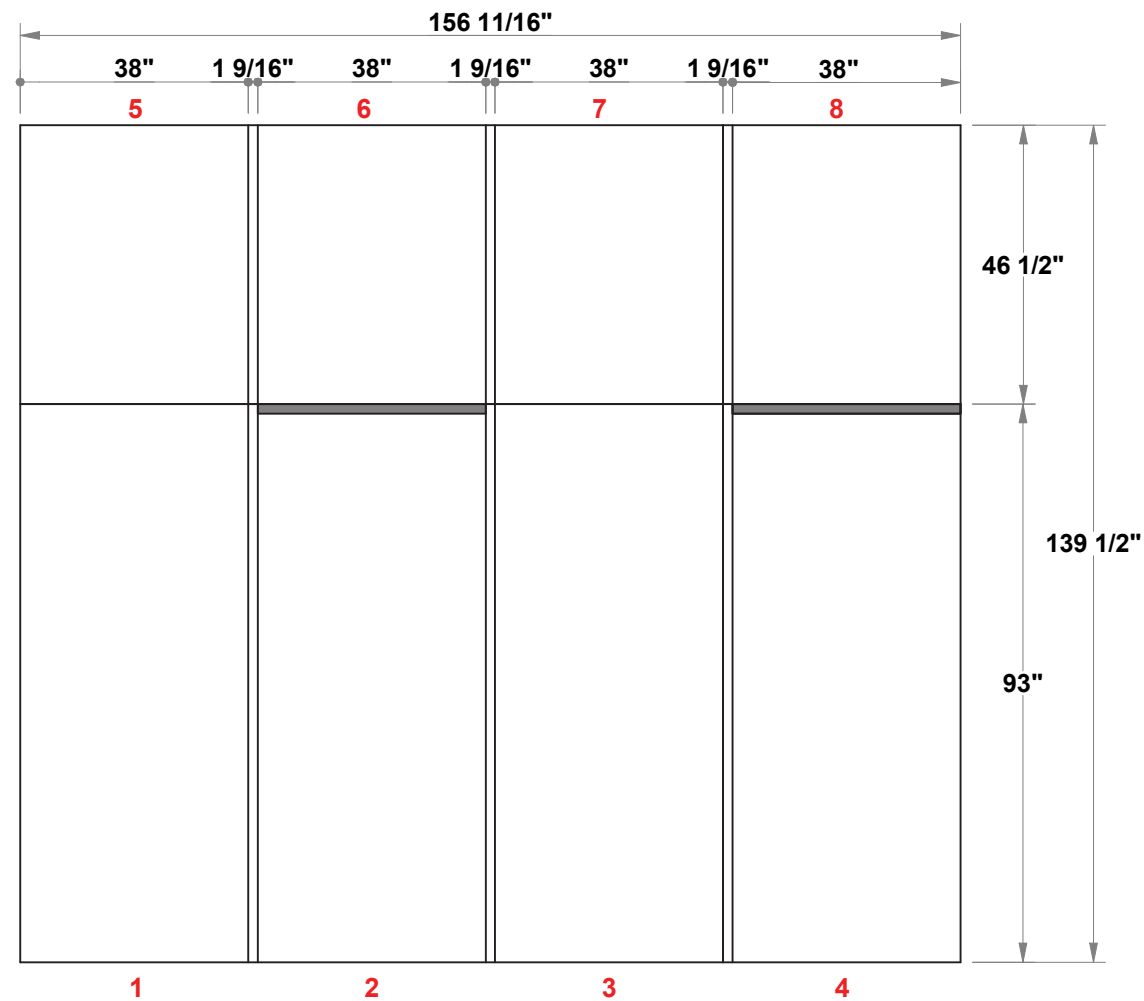


3401 Mary Taylor Road  
Birmingham, Alabama 35235  
(205) 439-8200

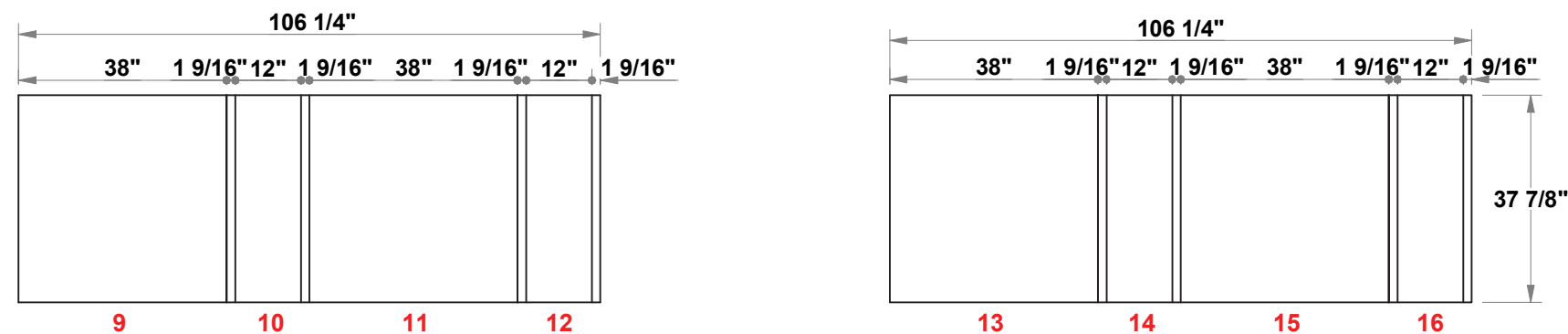
**KIT-HL-WK89**

**30x30 H-Line**

**TOWER FLATTENED ELEVATED VIEW**



**COUNTER FLATTENED ELEVATED VIEW**



PARTS LIST:		
QTY	SIZE	NAME
6	38 X 93	LIGHTBOX GRAPHIC
10	38 X 93	TYPICAL GRAPHIC
4	38 X 46.5	HALF GRAPHIC
4	9.5 X 93	SIDE GRAPHIC
4	38 X 37.875	FRONT PODIUM GRAPHIC
12	12 X 37.875	SIDE PODIUM GRAPHIC
6	38 X 85.375	CANOPY GRAPHIC

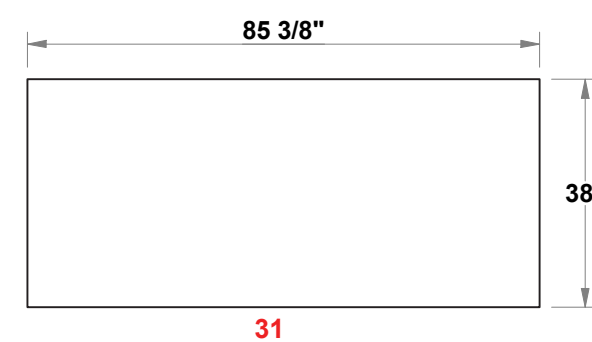
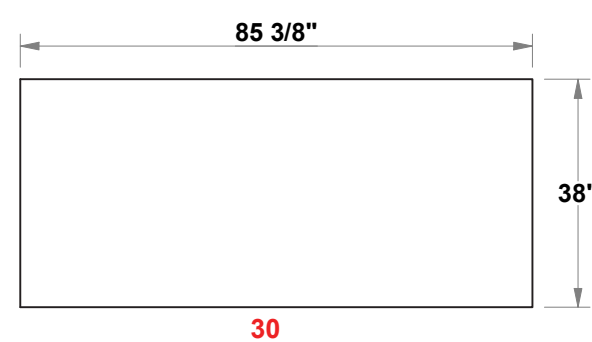
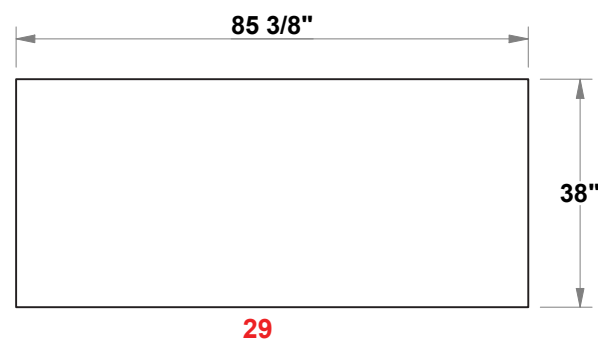
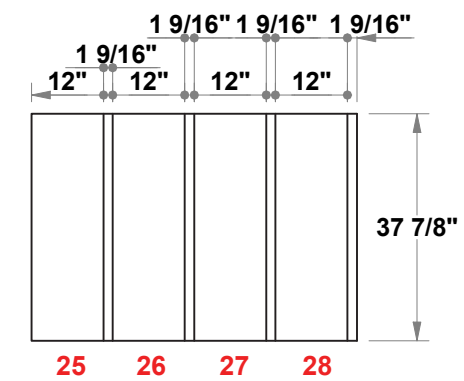
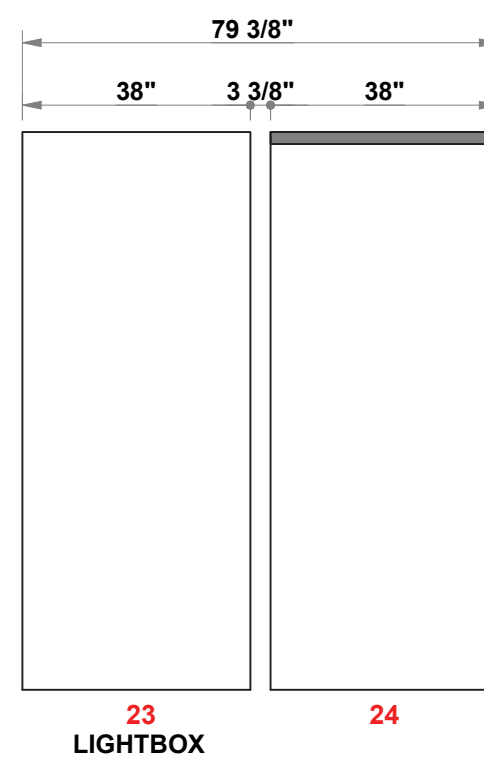
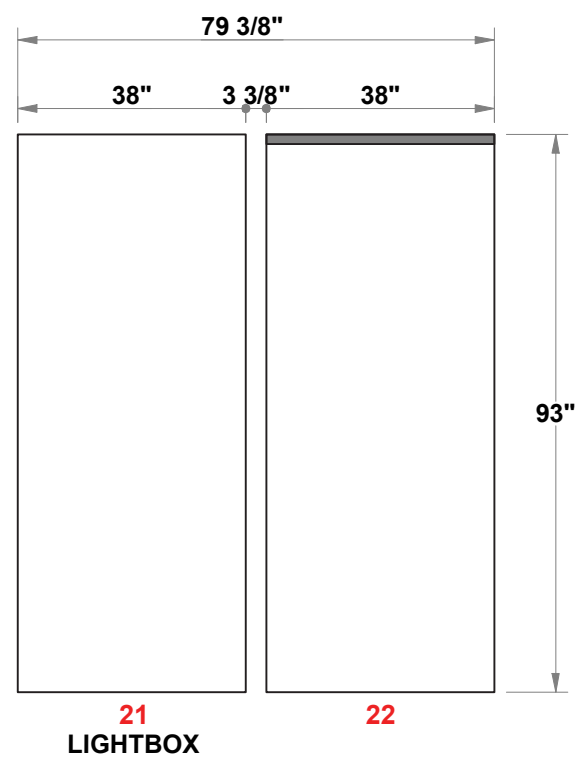
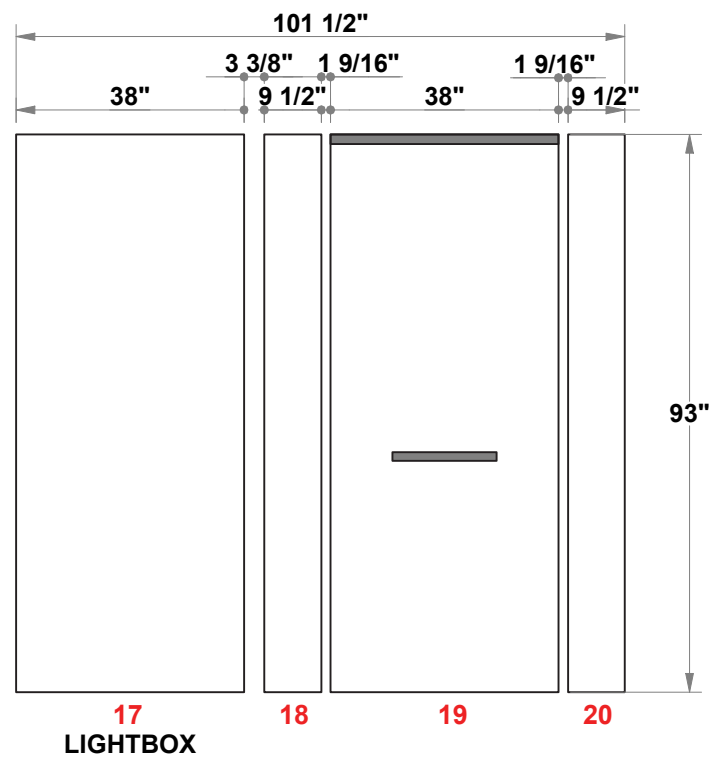
# PRELIMINARY GRAPHIC LAYOUT



3401 Mary Taylor Road  
Birmingham, Alabama 35235  
(205) 439-8200

**KIT-HL-WK89**

## SECTION A FLATTENED ELEVATED VIEW



PARTS LIST:		
QTY	SIZE	NAME
6	38 X 93	LIGHTBOX GRAPHIC
10	38 X 93	TYPICAL GRAPHIC
4	38 X 46.5	HALF GRAPHIC
4	9.5 X 93	SIDE GRAPHIC
4	38 X 37.875	FRONT PODIUM GRAPHIC
12	12 X 37.875	SIDE PODIUM GRAPHIC
6	38 X 85.375	CANOPY GRAPHIC

**30x30 H-Line**

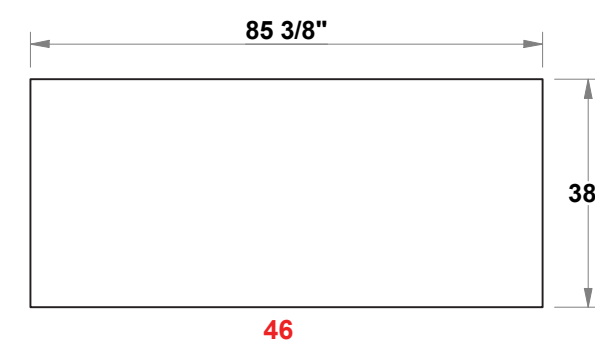
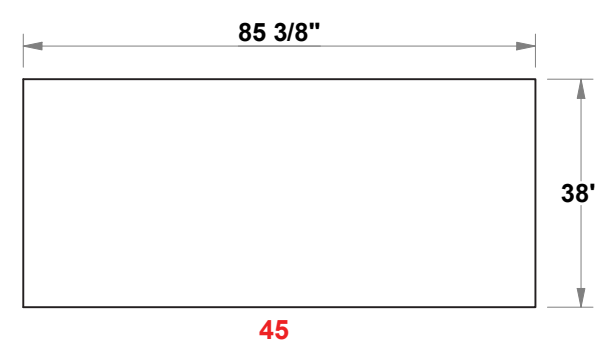
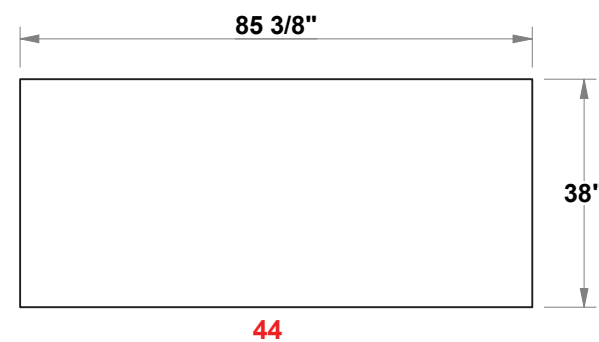
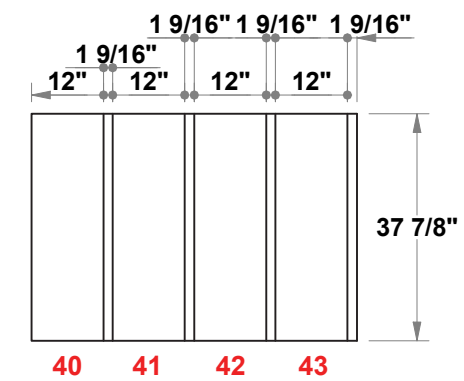
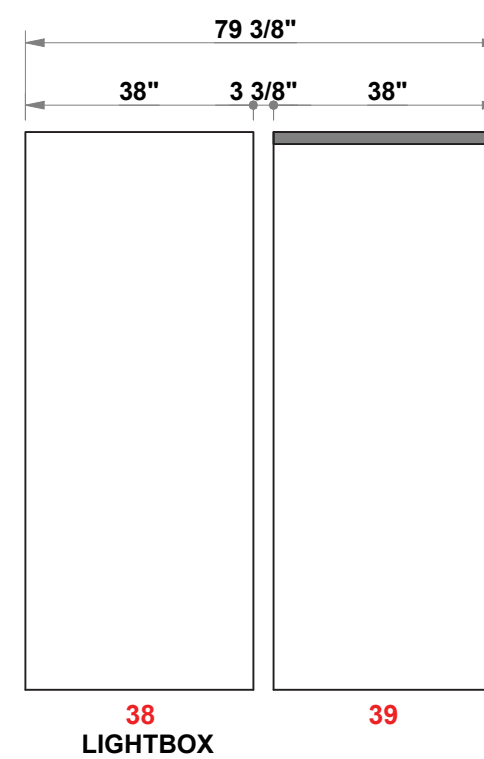
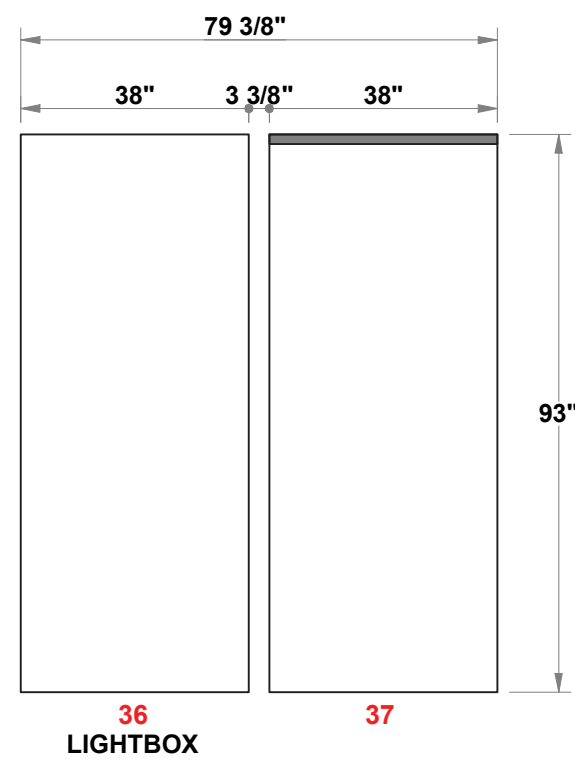
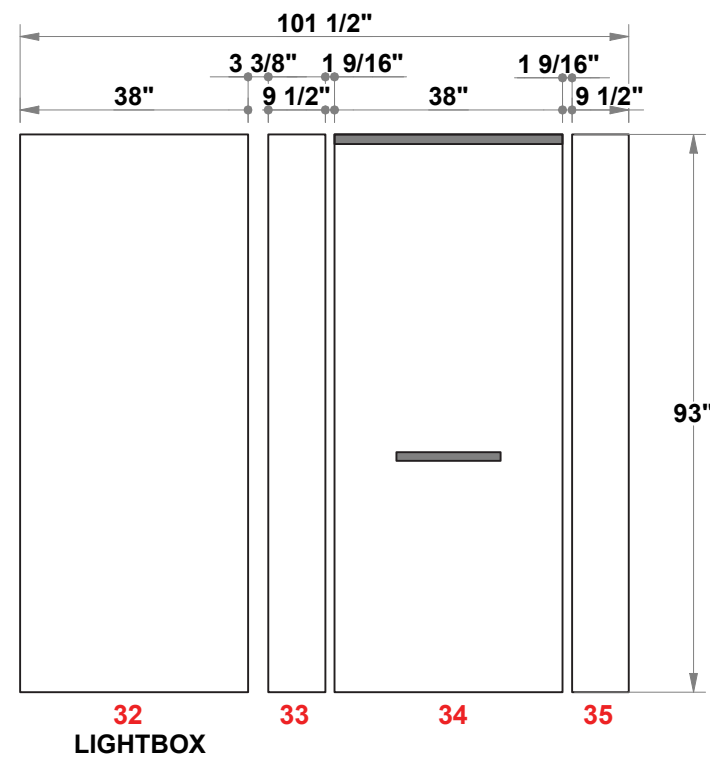
# PRELIMINARY GRAPHIC LAYOUT



3401 Mary Taylor Road  
Birmingham, Alabama 35235  
(205) 439-8200

**KIT-HL-WK89**

## SECTION B FLATTENED ELEVATED VIEW



PARTS LIST:		
QTY	SIZE	NAME
6	38 X 93	LIGHTBOX GRAPHIC
10	38 X 93	TYPICAL GRAPHIC
4	38 X 46.5	HALF GRAPHIC
4	9.5 X 93	SIDE GRAPHIC
4	38 X 37.875	FRONT PODIUM GRAPHIC
12	12 X 37.875	SIDE PODIUM GRAPHIC
6	38 X 85.375	CANOPY GRAPHIC

30x30 H-Line